



Folding Frame Series

Indoor/Outdoor Portable Projection Screen USER'S GUIDE

Thank you for choosing the *Folding Frame* portable projection screen! Please read through this user guide before utilizing the screen. Correct usage and maintenance will ensure a long product life

Care & Use Instructions

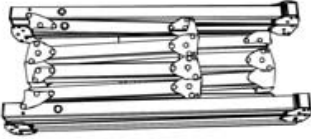

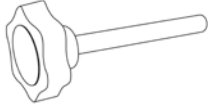



- ◆ Akia Screens highly recommends two people to assemble the Folding Frame screen.
- ◆ Dust, dirt and scratches on the projection surface will affect the picture quality, please take note of the points below to prevent that from occurring:
 1. Do not touch the projection surface with your hands
 2. Do not write or draw on the projection surface
 3. Do not use fingers or sharp objects to point on the projection surface; this will damage the screen material.
 4. Use a soft-damp cloth to clean the projection surface; do not use chemical cleaning agents or alcohol.
 5. Use clean water when dampening the cleaning cloth and do not rub against the material to clean it.
- ◆ After using the screen, disassemble it and store it in the carrying bag provided.
- ◆ To avoid damage and injury, the screen should only be operated by adults.




Product Description

Design: The aluminum frame is designed to be light weight and easily operated making it easy to carry, assemble and disassemble.

Screen Fabric: The screen fabric is attached to the rectangular frame and held in place by several press studs, which ensure an evenly stretched and flat surface. The matte white (front projection) screen material is durable and can be folded many times without causing damage or distortion to the surface.

Parts Diagram

<p>A. Folding frame x1</p> 	<p>B. Left and right folding legs x2</p> 	<p>C. Knob Screw (Refer to Chart)</p> 
<p>D. Projection screen material x1</p> 	<p>E. Screen material bag x1</p> 	<p>F. Carrying Bag x1</p> 

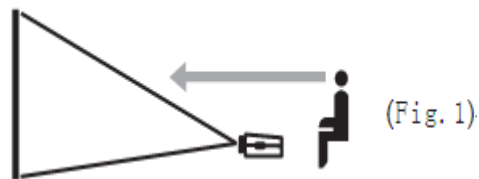
<p>G. Rope x2</p> 	<p>H. Eyebolt x2</p> 	<p>I. Stake x4</p> 
-----------------------------------------------------------------------------------------------------	--------------------------------------------------------------------------------------------------------	--------------------------------------------------------------------------------------------------------

Note: The parts list above is subject to change without notice.

Models	Knob Screw	Support Leg	Max Height
120" (16:9)	8 pcs	N/A	112.2 inches
145" (16:9)	10 pcs	Included	133.5 inches

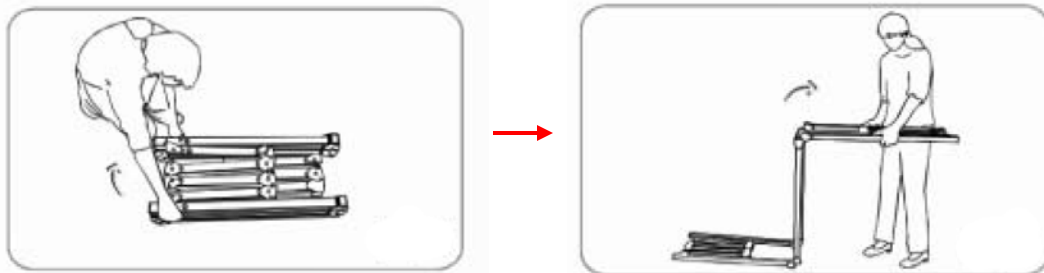
Correct usage of the projection screen will ensure better viewing results.

For front projection, assemble and view the screen as indicated in Fig.1.

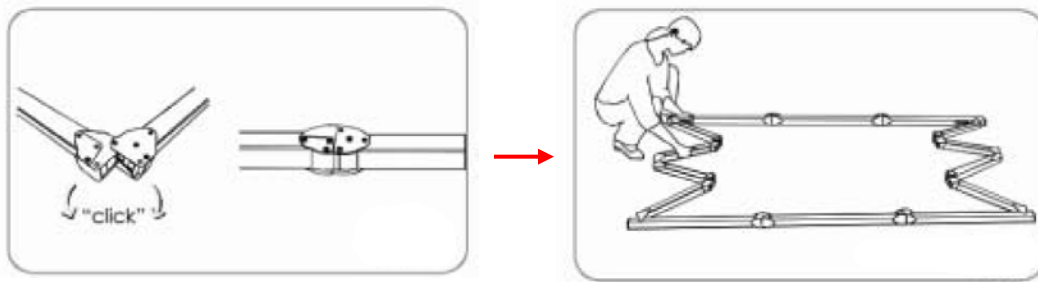


Frame Assembly

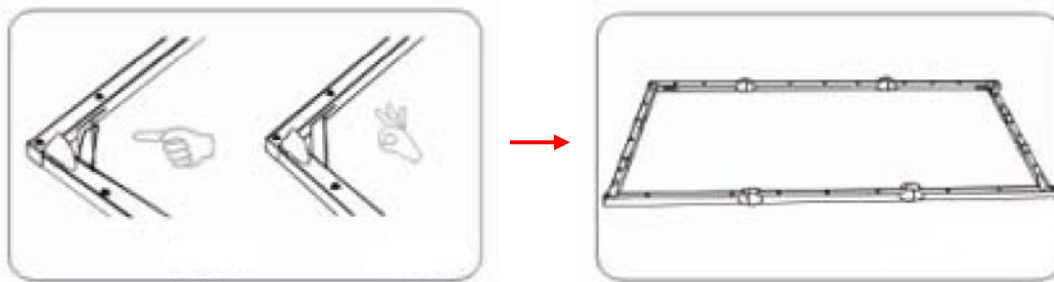
1. Take the *folding frame (A)* out of the *carrying bag (F)* and place it on a flat surface. Fully unfold the longer sections first, as shown below.



2. Next, unfold the frame until the latch on the hinge “clicks” into place. Repeat the procedure for the shorter sections, as shown below.

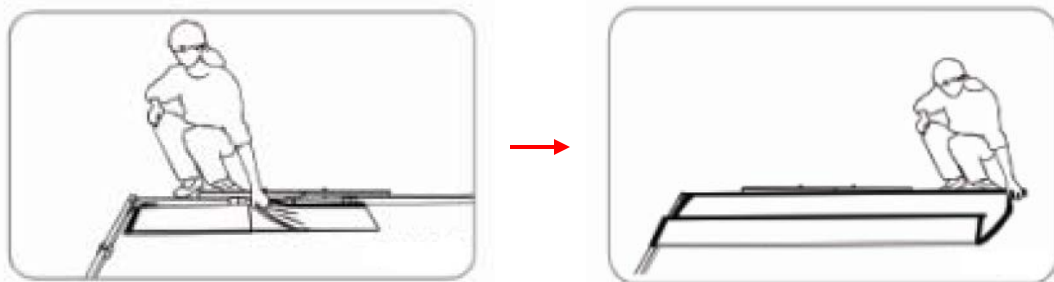


Note: When unfolding the frame and legs, be sure the latches on the hinges "click" into place. Please also make sure all 4 corners of the frame are at a 90° angle and the hinged support bar is straight and not bent.



Screen Material Attachment

1. Take the *screen material (D)* out of the *screen material bag (E)* and align the corners of the screen material with the inside corners of the frame.



2. Once the screen material is fully extended, secure the material by snapping the buttons onto the frame studs. Fasten the buttons in the following order as shown on **Fig.1**.

Note: Snap the buttons on each corner first, then work your way out to the center on each side.

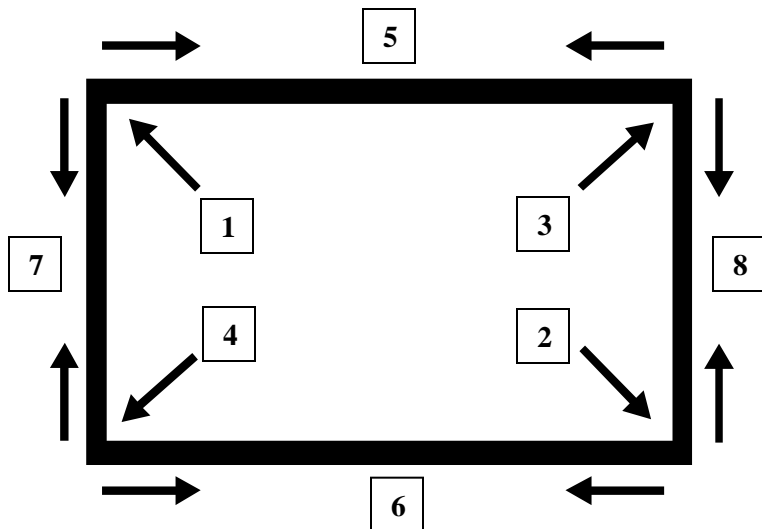


Fig.1

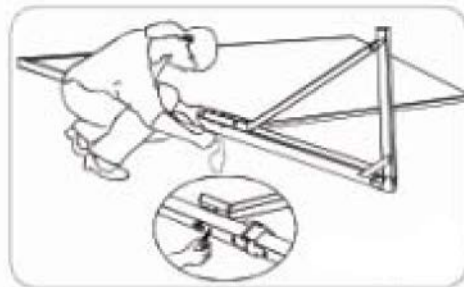
Leg Attachment for 120” Model

1. Carefully take the left and right *folding legs (B)* out of the *carrying bag (F)* and place it on a flat surface. Unfold the left and right legs leaving the front foot folded as shown below. Make sure the hinges click into place.

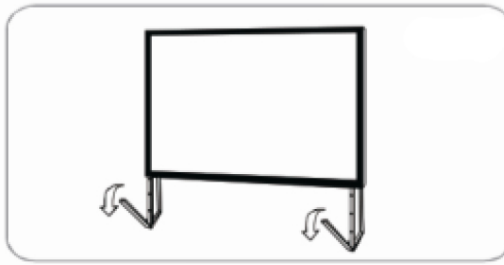
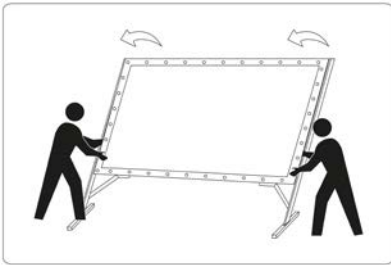
Warning: The additional support sections, located at the middle section of the legs, may unfold on its own. Please be sure to use caution while removing/placing the legs from/to the bag

2. Once the legs are unfolded, lay the frame on the floor and position the legs over both sides of the frame. Use the *knob screws (C)* to attach the frame to the legs.

Warning: When attaching the legs, make sure to screw the top of the leg to the last hole of the frame to reach max height. Attaching the legs lower to the frame and leaving an extra space on top may cause the screen to tip over when assembled.



3. After making sure the legs are secure to the frame, using two people, lift the screen up in a vertical position. While the screen is in a vertical position, fold the front feet of the legs out.



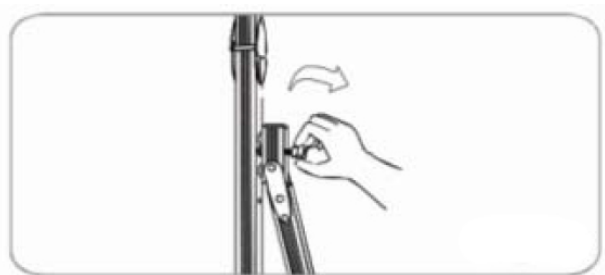
4. The assembly is now complete and the projection screen will be stable on a flat surface.

Leg Attachment for 145" Model

1. Starting from step 2 on the previous procedure, lay the frame on the floor and position the legs over both sides of the frame. Use the **knob screws (C)** to attach the frame to the legs.

Warning: When attaching the legs, make sure to screw the top of the leg to the last hole of the frame to reach max height. Attaching the legs lower to the frame and leaving an extra space on top may cause the screen to tip over when assembled.

2. Next, carefully unfold the extra support leg behind the leg and attach it securely using a **knob screw (C)**. Then repeat steps 3 and 4 on the previous procedure.



Screen Disassembly

1. After using the screen, disassemble and store it in the **carrying bag (F)**. To disassemble the screen, follow the assembly procedure in reverse order.

2. Store the screen in the provided **carrying bag (F)**. Be sure to place folding frame, legs, and smaller parts into the carrying bag first and place the material on top to keep material from creasing or tearing.

For more information, technical support or your local Akia Screens contact, please visit www.akiascreens.com