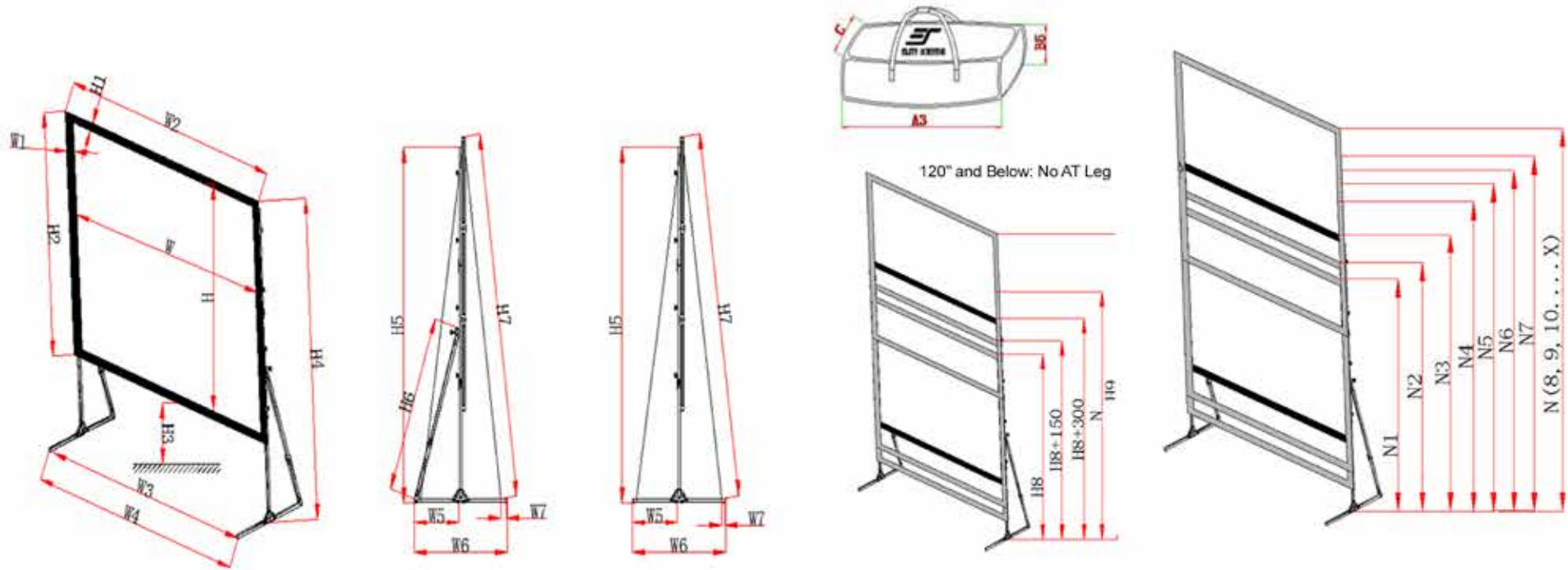


Portable Fast Fold-Away Projector Screen Dimensions Table (Unit : inch)

Model Number	Diag. Size	Aspect Ratio	View Width (W)	Left/Right Border (W1)	Screen Width (W2)	(W3)	Frame Length (W4)	(W5)	Legs fully extended (W6)	(W7)	View Height (H)	Top/Bottom Border (H1)	Screen Height (H2)	Bottom of Frame to Ground (H3)	Top frame to ground (H4)	Frame Height (H5)	AT LEG (H6)	(H7)
AK-OS120H1	120	16:9	104.5	3.0	110.4	107.2	109.7	23.6	48.9	2.0	58.8	3.0	64.7	9.4-62.5	74.0-127.2	106.7	N/A	78.1-129.9
AK-OS145H1	145	16:9	126.3	3.0	132.2	129.0	131.5	19.7	41.0	3.9	71.1	3.0	77.0	9.1-74.1	86.1-151.1	124.4	59.1	88.5-152.8

Model Number	H8 Lowest Point	H9 Highest Point	Frame Width	N1	N2	N3	N4	N5	N6	N7	N8	N9	N10	N11	N12	Carrying Bag Length (A3)	Carrying Bag Height (B5)	Carrying Bag Width (C)
AK-OS120H1	74.0	127.2	1.3	74.0	79.9	85.8	91.7	97.6	103.5	109.4	115.4	121.3	127.2	N/A	N/A	37.8	8.7	11.8
AK-OS145H1	86.1	151.1	1.3	86.1	92.0	97.9	103.8	109.7	115.6	121.5	127.4	133.3	139.3	145.2	151.1	45.3	9.4	11.8

The listed measurements are for general reference only. Note: Data Error ± 1 "



Portable Fast Fold-Away Projector Screen Dimensions Table (Unit : mm)

Model Number	Diag. Size	Aspect Ratio	View Width (W)	Left/Right Border (W1)	Screen Width (W2)	(W3)	Frame Length (W4)	(W5)	Legs fully extended (W6)	(W7)	View Height (H)	Top/Bottom Border (H1)	Screen Height (H2)	Bottom of Frame to Ground (H3)	Top frame to ground (H4)	Frame Height (H5)	AT LEG (H6)	(H7)
AK-OS120H1	120	16:9	2655	75	2805	2723	2787	600	1242	50	1494	75	1644	238-1588	1880-3230	2711	N/A	1984-3300
AK-OS145H1	145	16:9	3209	75	3359	3277	3341	500	1042	100	1805	75	1955	231-1881	2187-3837	3161	1500	2247-3880

Model Number	H8 Lowest Point	H9 Highest Point	Frame Width	N1	N2	N3	N4	N5	N6	N7	N8	N9	N10	N11	N12	Carrying Bag Length (A3)	Carrying Bag Height (B5)	Carrying Bag Width (C)
AK-OS120H1	1880	3230	32	1880	2030	2180	2330	2480	2630	2780	2930	3080	3230	N/A	N/A	960	220	300
AK-OS145H1	2187	3837	32	2187	2337	2487	2637	2787	2937	3087	3237	3387	3537	3687	3837	1150	240	300

The listed measurements are for general reference only. Note: Data Error ± 1"

