

# Motorized Series

## Electric Wall/Ceiling Projection Screen

### USER'S GUIDE

### User's Guide – E type (RC1) V1.0

#### **Important Safety & Warning Precautions**

**Make sure to read this user's guide and follow the procedures below.**

**Caution:** The screen's Black Top Drop is already set to its maximum drop distance. There is NO extra Black Top Drop in the roller. Please be aware of this as it will void your warranty with AKIA Screens. Unapproved changes or modifications (except for cutting the power cord for hardwire installations) to this unit are prohibited and will void your warranty. For more information, please contact our Technical Support Department.

**AKIA allows a 1.5% tolerance within the viewing surface for expansion and contraction of the screen materials over time.**

- Please retain this user's guide for future reference.
- To avoid damaging the unit, do not use with any unauthorized accessories not recommended by the manufacturer.
- Handle the unit carefully during transportation to avoid any damages.
- To ensure safe and reliable operation, direct connection to a properly grounded power source is advised.
- The power outlet supplying power to the unit should be close to the unit and easily accessible.
- Do not install the unit on uneven or inclined surfaces.
- Do not put heavy objects on the power cord and position it properly to avoid creating a trip obstacle.
- Never overload the power cord to prevent an electric shock or fire due to a loose contact or a short circuit.
- There are not user serviceable parts in this unit. Do not attempt to disassemble this unit by yourself. No one except authorized technicians can open and make repairs to this unit.
- Make sure the power source this unit is connected to has a continuous power flow.
- If there is need to use an extension cord, make sure the cord has an equal rating as the appliance to avoid overheat.
- Do not handle the power plug when your hands are wet or your feet are in contact with water.

**Do not use this unit under the following circumstances.**

- Disconnect the power cord under the conditions of heavy rain, wind, thunder or lightning.
- Avoid direct Sunshine, rain shower and moisture.
- Keep away from fire sources and high temperature to prevent this device from overheating.
- Cut off the power supply first before transportation or maintenance.
- Fully disconnect from the power supply when the unit is not in use for a long period of time, as should be done with any other electric household appliance.
- To avoid possible injury and/or an electric shock, do not attempt to use the screen if there is obvious damage or if there are any evident broken parts.

**NOTE:**

This equipment has been tested and found to comply with the limits for a Class B digital device, pursuant to Part 15 of the FCC Rules.

These limits are designed to provide reasonable protection against harmful interference in a residential installation. This equipment generates and can radiate radio frequency energy and, if not installed and used in accordance with the instructions, may cause harmful interference to radio communications.

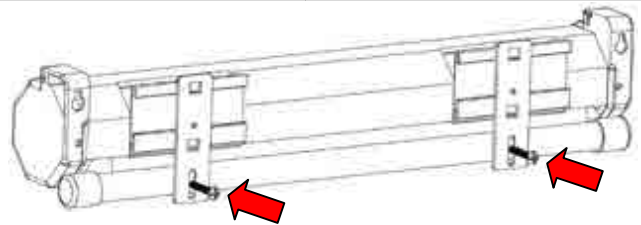
However, there is no guarantee that the interference will not occur on a particular installation. If this equipment causes harmful interference to radio or television reception, which can be determined by turning the equipment off and on, the user is encouraged to try to correct the interference by one or more of the following measures.

- ✓ **Reorient or relocate the receiving antenna of the device which may be causing the interference.**
- ✓ **Increase the separation between the screen and the device’s receiver.**
- ✓ **Connect the equipment into a different power outlet other than the device.**

**Pre-Installation**

1. Carefully unpack the screen.
2. Always handle the screen in a leveled position on a clean surface.
3. In order to protect the screen from exposure to stains, keep the screen out of contact with foreign particles such as dust, sawdust, and/or liquids.






Please note: Before fully operating the screen. Remove the shipping brackets from the housing and the weight bar by loosening the 2 screws.



**NOTE**

Regardless of the mounting method, the screen should be securely supported so that the vibration or pulling on the viewing surface will not cause the casing to become loose or fall. Included mounting screws are complimentary and may not be appropriate for all mounting surfaces. Use appropriate anchors to safely secure the screen to the mounting surface or consult with a professional installer.

**Hardware and Controls Accessories List**

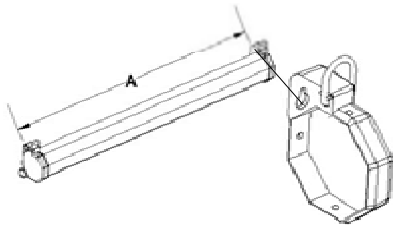
Please make sure all parts listed below are included before proceeding with the installation.		
A. M5x60 Screw x6	B. M12 Dry-wall anchor x6	C. Snap link x2
		
D. M6.5 eyebolt screw x2	E. Wall/Ceiling mount bracket x2	
		

## Installation Instructions

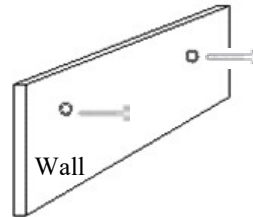
For installation assistance, please consult a professional installer. AKIA Screens is not liable for faulty installations.

### A. Wall Mount

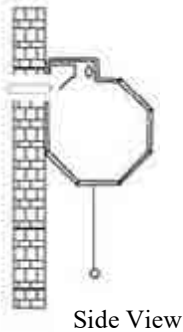
Step 1: Measure and mark the (A) distance between the two holes on each bracket.



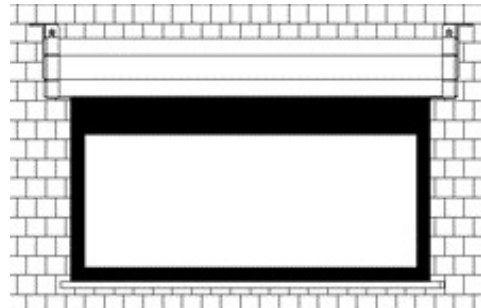
Step 2: Drill a hole for each screw hole on the marked areas. Insert a **dry-wall anchor** into the wall. Then screw the **M5x60 Screw** in each **dry-wall anchor** in leaving about 1/8" of an inch.



Step 3: Hang the screen by aligning the end cap holes to the **M5x60 screws**.

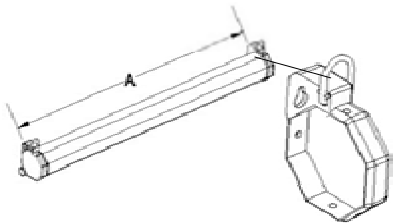


Step 4: please make sure the screen is on a line.

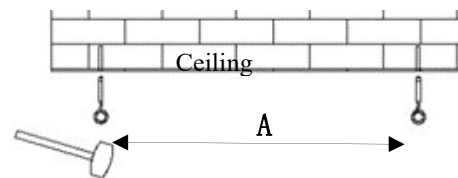


### B. Ceiling Mount

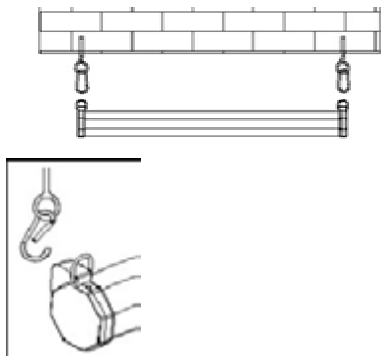
Step 1: Measure and mark the (A) distance between the two loops on each bracket.



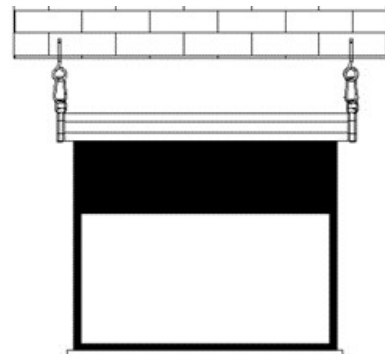
Step 2: Drill a hole on all marked areas and insert the M6.5 eyebolt screw into the hole, then screw up with hammer.



Step 3: Attach the snap link through the eyebolt and connect it to the loop on the screen's end cap.

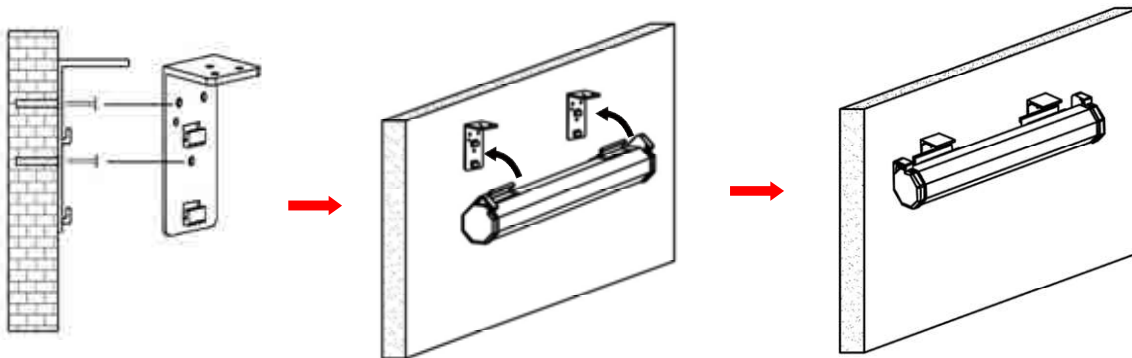


Step 4: please make sure the screen is on a line.

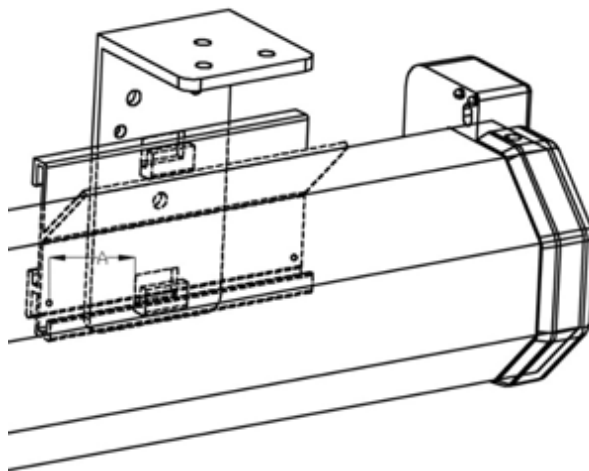


This mount method allows the screen to slide horizontally.





Front view of bracket (A)



1. Determine where the screen will be installed. Then, measure and mark the distance between the top and bottom screw holes from each **Wall/Ceiling mount bracket (E)**.
2. Drill a hole on all marked points and install the brackets with the *dry-wall anchor*(B), *M5x60 screw* (A), Make sure both brackets are properly leveled.
3. Hang the screen by placing the *lower* “catch” located on the back over the brackets *upper* “catch”.
4. After making sure the screen is secured, you can slide it to left / right around 80mm to properly center it in bracket’s position.
  - ※ Sliding bracket at the back of the screen support customer to adjust position a little bit while screen has position issue, it can slide around 80mm from the center of sliding bracket at the back of the screen. (Refer below picture)
  - ※ Two or more people are required while one holds the screen in place.
  - ※ Noticed of sliding bracket application:  
Please make sure the adjustment of sliding bracket is within 80mm range from the center of bracket, it allows customer to slide the casing a little bit to adjust the position to the correct one while the bracket got tolerance of installation. (A = 80mm)



## Motorized Screen Series | Controls and Accessories

A. IR (Infra Red) Remote Control ZRC1-IR	B. Wall box controller ZRC1-WB	C. RJ50 Cable ZRC1-RJ50	D. AAA batteries
			

### Screen operation

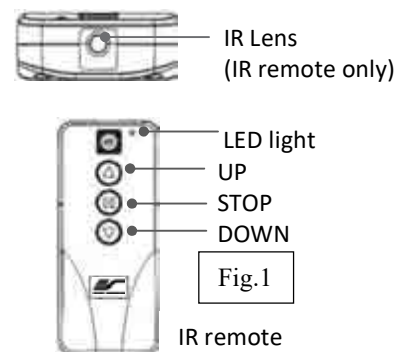
**Electric Current:** Depending on your region, the screen will operate in either 110v or 220v voltage.

1. After ensuring the power outlet & screen are compatible (voltage), plug the power cord into the power outlet.
2. Once the screen has power, you'll be able to control it using any of the 3 **methods** described below.

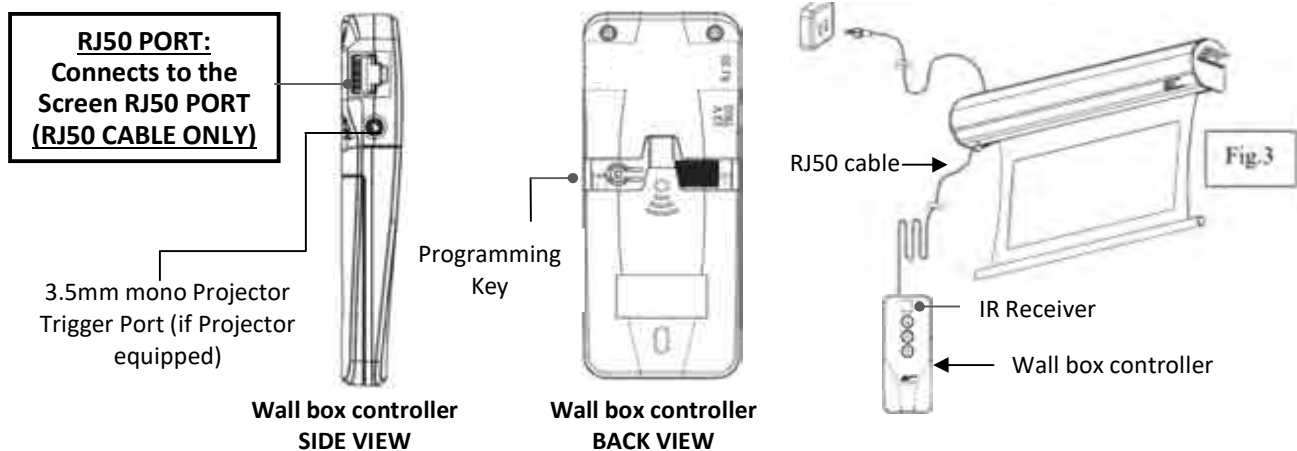
### 3 Ways to control your Evanesce Tab-Tension B screen

**1. IR Remote control (Item A, Fig 1):** The Infrared functions by direct line of sight contact using an effective beam range of 25 feet within a 30-degree angle. Aim the IR remote directly at either the IR receiver on the Wall Box Controller or on the screen to operate the screen.

**Note:** Assure there is no obstruction between the IR remote and IR receiver.



2. **Wall box controller** (Item B, Fig 3): The wall box controller switch is a wall mounted control box with an up/stop/down button. It plugs directly into the screen's RJ50 port.



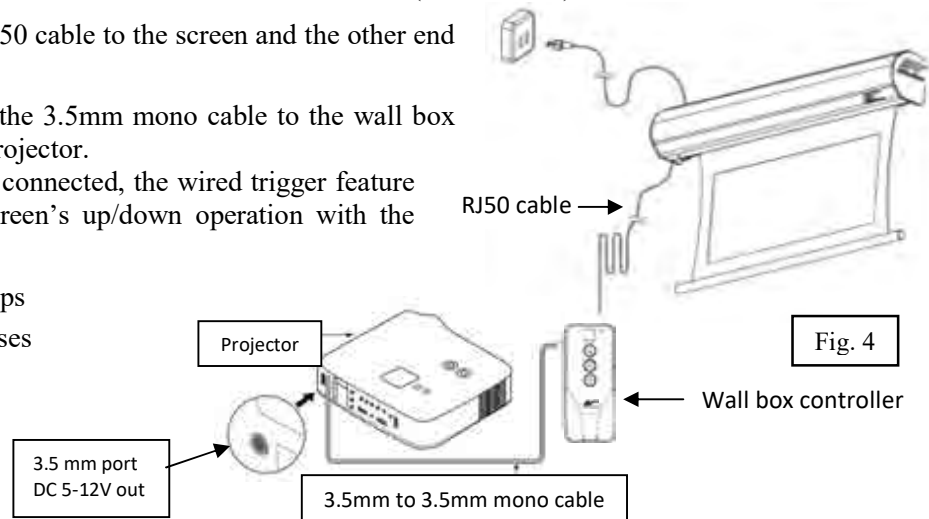
3. **Wired 5-12 volt trigger:** Requires a 3.5mm to 3.5mm mono cable (not included)

**Step 1:** Connect one end the RJ50 cable to the screen and the other end to the Wall box controller.

**Step 2:** Then connect one end the 3.5mm mono cable to the wall box controller and the other to the projector.

Once the two cables have been connected, the wired trigger feature is ready to synchronize the screen's up/down operation with the projector's power cycle.

- Projector on, screen drops
- Projector off, screen raises



**ADVANCED Programming Key Instructions: (FOR ADVANCED USERS ONLY)**

Wall box controller must be connected to the screen.

**ATTENTION:** Reducing the factory's full screen drop may produce waves/wrinkles on the projection surface on tab-tension screens. The full drop is recommended to allow the screen to rely on the tab-tension system to maintain the projection surface flat and taut on all sides.

The same applies on non-tensioned screens, although some level of waves may be present due to the nature of the screen not being tensioned. If wrinkles/waves develop after making the adjustment to the desired drop position, reset it to the factory's default position per the instructions below.

**FLATNESS AFFECTED BY NEW PROGRAMMED VERTICAL POSITION IS NOT COVERED UNDER A REPLACEMENT WARRANTY.**

**1. Preset the Screen's Drop Position:**

Use the RF/IR remote or Wall Box Controller to Drop the screen to the desired position you want to set it at.

Press & hold the “**Programming Key**”, then press the “**Down key**” on the Wall Box Controller. The LED will flash 5 times to confirm new programmed drop position.

**PROGAMMING NOTE:**

The programmed vertical position relies on a time-count which adjusts itself according to the programmed timed difference. Multiple up/down programming will result in the vertical position being off a few inches. It is recommended that programming is done the **first-time** the desired vertical position is determined or RESET it to factory default and programming the desired vertical position afterwards.

**2. Clear/Reset the Screen’s Drop Position to factory default:**

Press & hold the “**Programming Key + “Stop key**” on the wall box controller.

For more information, technical support or your local AKIA Screens contact,  
please visit [www.akiascreens.com](http://www.akiascreens.com)

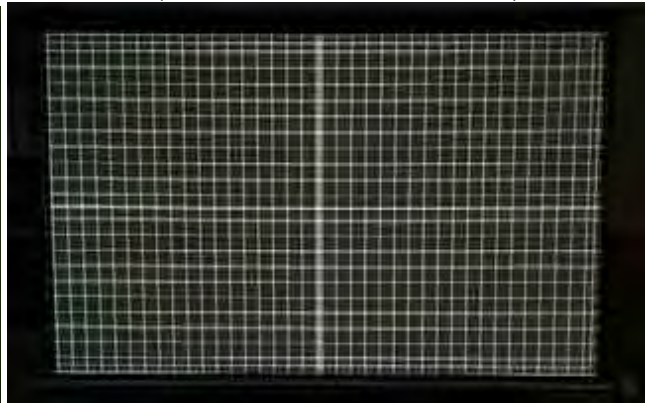
## SHORT THROW PROJECTION DISCLAIMER

Using a *short throw projector* on a *non-tensioned* type screen will result in image distortion as the slightest wave on the viewing surface will become more evident.

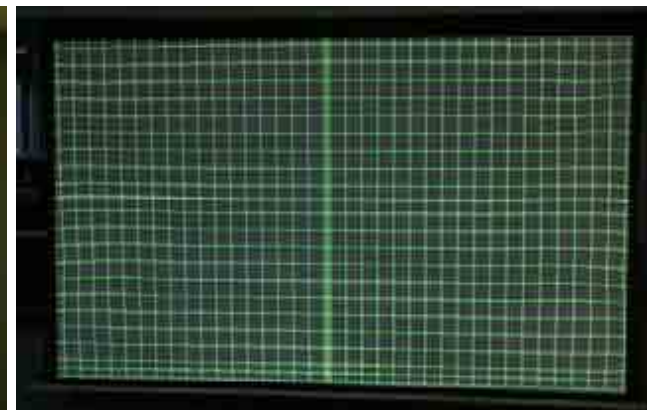
For *short throw projectors*, AKIA Screens recommends the use of a **motorized tab-tensioned, fixed frame** or **whiteboard** projection screen.

Examples of undoctored projection images using a *standard throw* and *short-throw* projector

*Standard throw* projected image shown below (waves are not visible)



This *short throw* projected image shown below, demonstrates how waves on the surface become more pronounced:



Actual Projection Images by two different AKIA Screens model with **Standard Throw Projector** (Model #:ViewSonic Pro8300) vs. **Short Throw Projector** (Model #:BenQW710ST)



## Direct Sunlight Disclaimer

Projection Screens from any maker are not designed for use as a window curtain and should never be exposed to direct sunlight. Prolonged exposure to solar radiation will destroy synthetic materials and such damage is not covered by our standard warranty.

See examples below.



### SCREEN MATERIAL DISCLAIMER

At first, the screen material may have a series of noticeable horizontal lines on its surface. These are known as memory lines. Memory lines are caused when the pliable projection material is rolled up and stored for the duration between its production and sale. This is both a normal and correctable phenomenon. For non-tensioned screens, you may also notice curling along the edges of the material. This is mainly due to environments in cold temperatures. Please try the following to alleviate the memory lines and side curls on the material. After installation, leave the screen in the down position for a few days in a warm room environment (above 75 degrees) and then commence regular (up/down) usage. This allows the material to stretch out and cure itself. After a few days, the lines should vanish and the edge curling will alleviate and will neither return nor affect the projected image during the years of its use.

For more information, technical support or your local AKIA Screens contact, please visit [www.akiascreens.com](http://www.akiascreens.com)