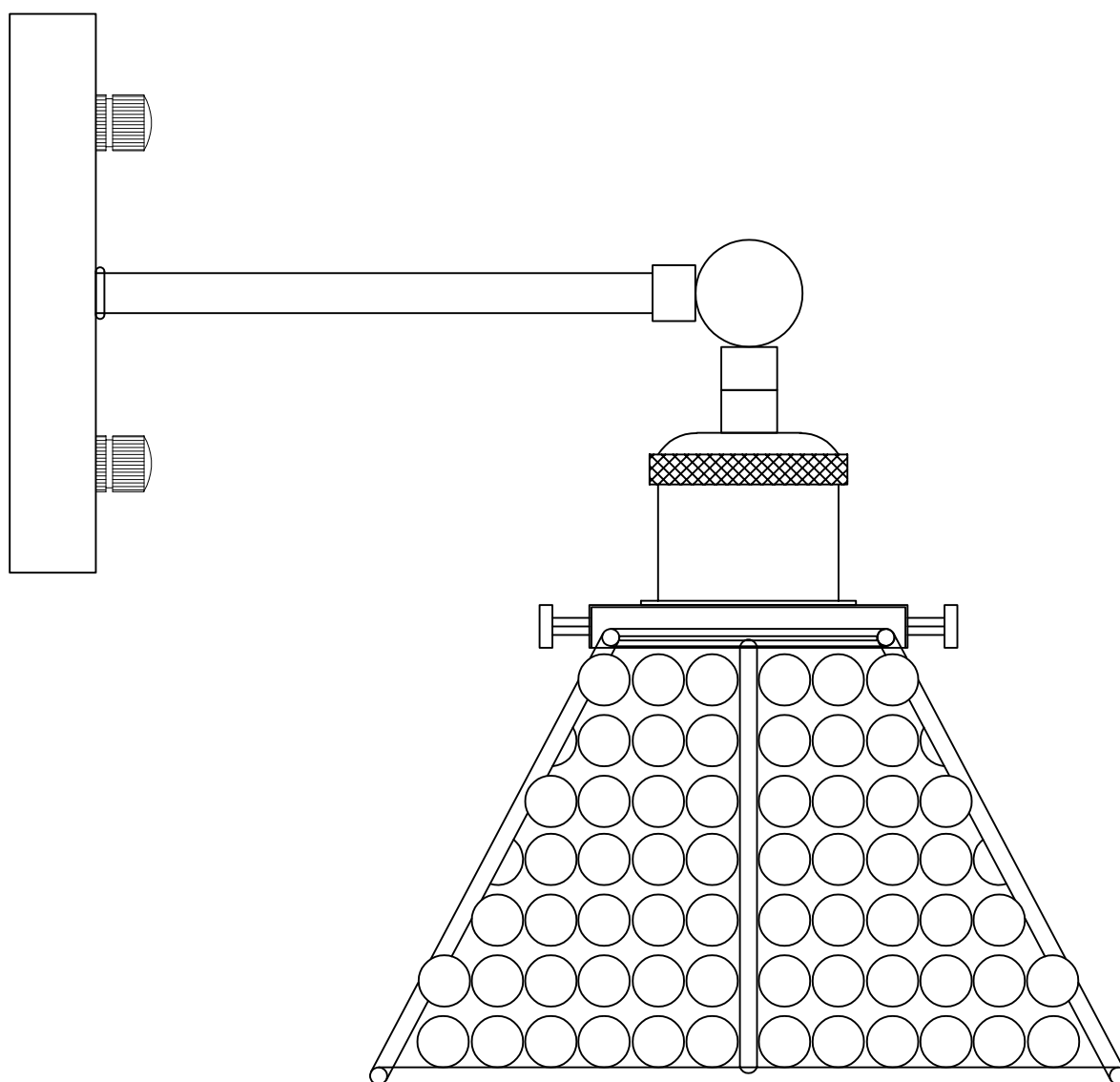




Parrot Uncle

# W2208110V

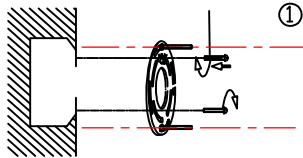


English / Español / Français

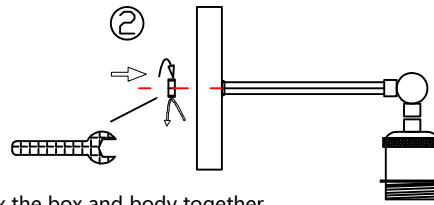
[www.parrotuncle.com](http://www.parrotuncle.com)

# W2208110V

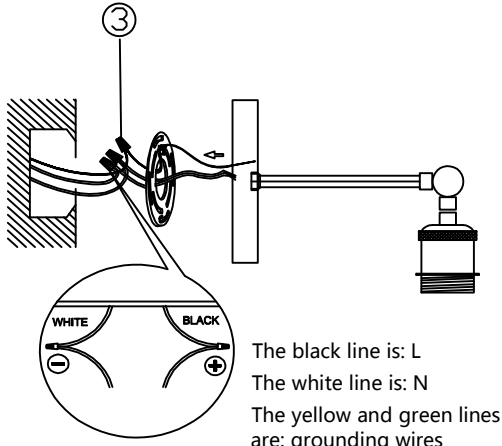
Installation & Operating Instructions for the  
Parrotuncle Owner's Installation Manual  
WARNING: SHUT POWER OFF AT FUSE OR CIRCUIT BREAKER



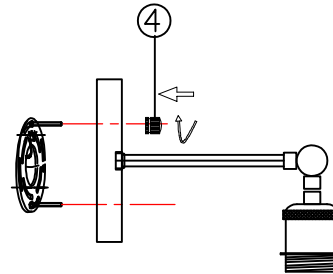
Install the bracket on top of the box



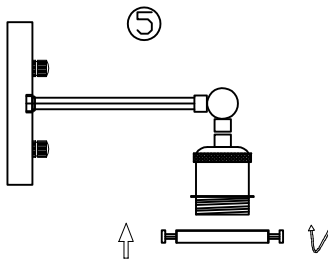
Fix the box and body together



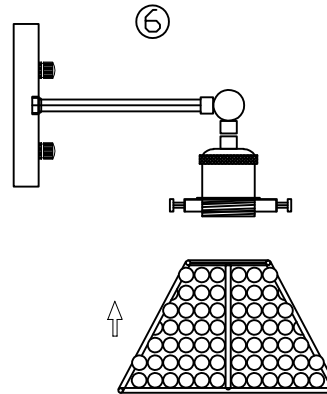
The black line is: L  
The white line is: N  
The yellow and green lines are: grounding wires



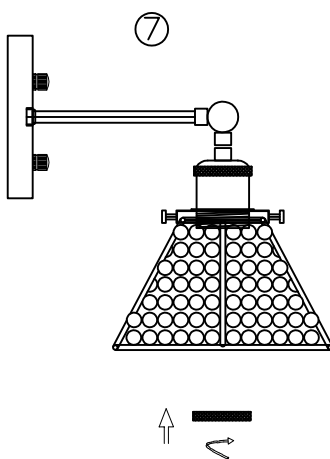
Fix the bracket screws and align them with the two holes in the box, and install the striped nuts



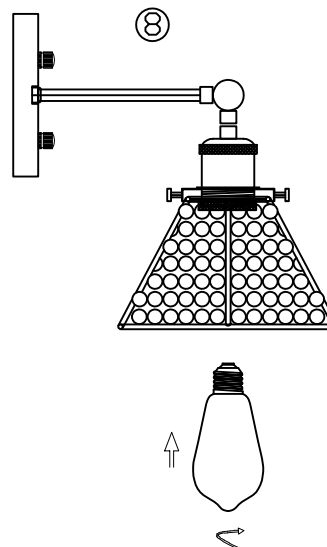
Install decorative flat cover



Install the lampshade



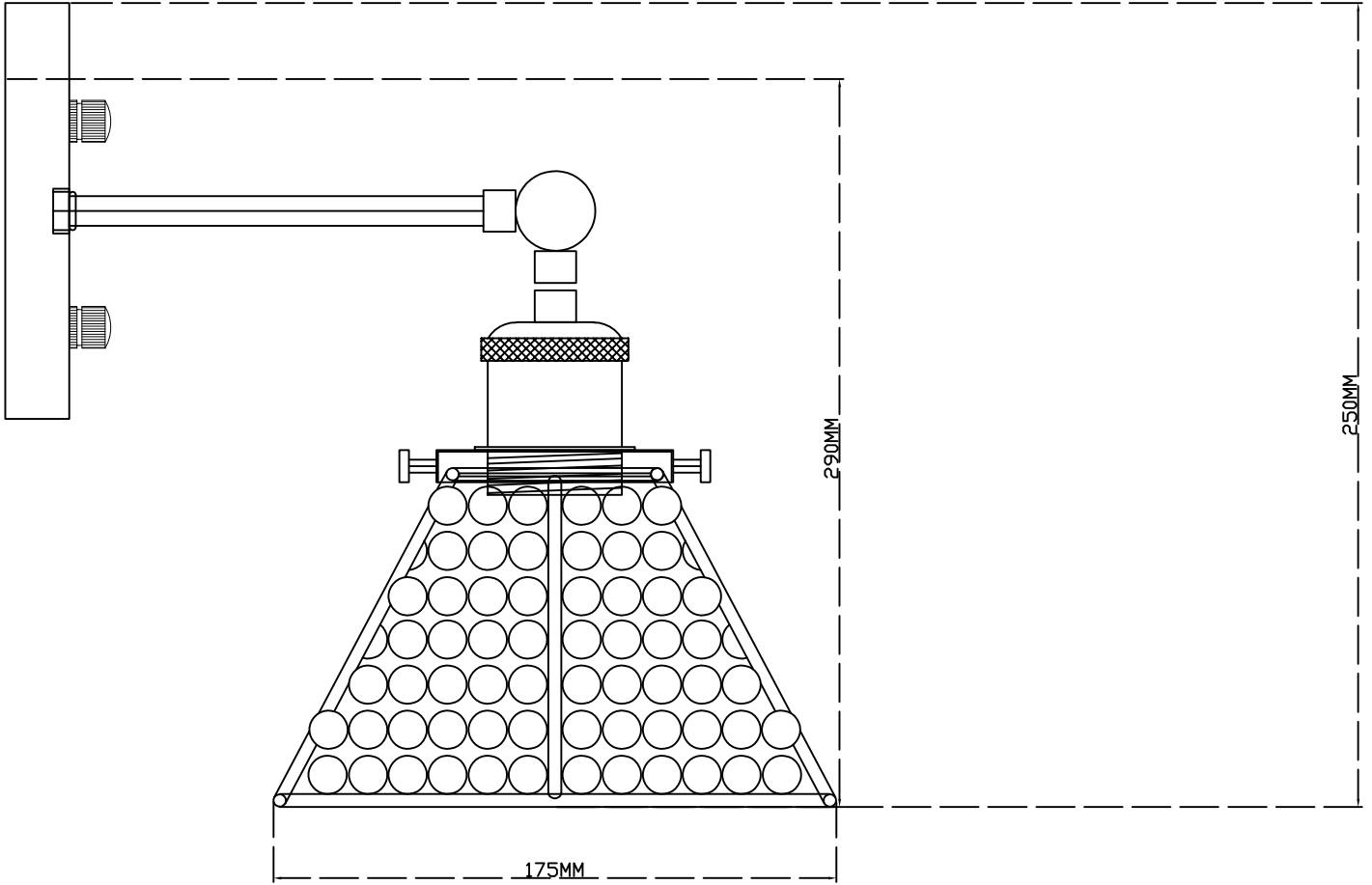
Install the lamp cap ring



Installing bulb

## TECHNICAL INFORMATION

|           |                 |                              |
|-----------|-----------------|------------------------------|
| SKU       | Nominal voltage | light                        |
| W2208110V | AC:110-120V     | 1*E26 MAX.40W (Not included) |





**Parrot Uncle**

MADE IN CHINA