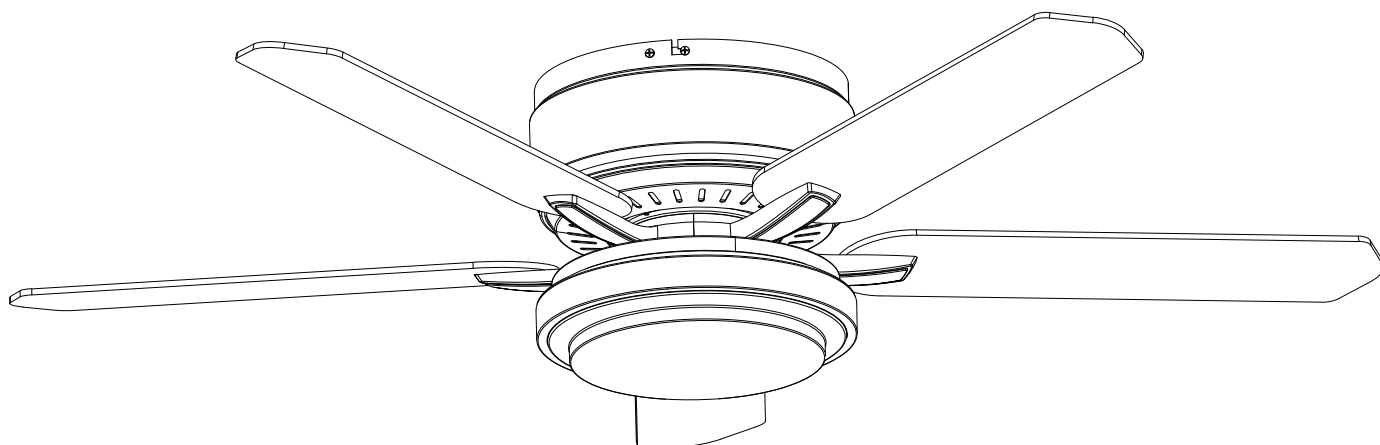


# ***Vaczon***

---

VZA01N105A



## SAFETY TIPS

---

To avoid possible electric shock, turn off the electricity at the main fuse box or circuit panel before you begin the fan installation or before servicing the fan or installing accessories.

Read all instructions and safety information carefully before installing your fan and save these instructions.

Make sure all electrical connections comply with local codes or ordinances and the National Electrical Code. If you are unfamiliar with electric wiring, please use a qualified and licensed electrician.

Make sure you have a location selected for your fan that allow clear space for the blades to rotate, and at least seven (7) feet of clearance between the floor and the fan blade tips. The fan should be mounted at least thirty (30) inches from walls or other upright structures.

**WARNING:** The outlet box and ceiling support joist used must be securely mounted, and capable of supporting at least 100 pounds. To reduce the risk of fire, electric shock or personal injury, mount to the outlet box marked acceptable for fan supported and use mounting screws provided with the outlet box. The box must be supported directly by the building structure.

**WARNING:** To reduce the risk of fire, electric shock, or personal injury, mount to outlet box marked "acceptable for fan support" and use mounting screws provided with the outlet box most outlet boxes commonly used for the support of lighting fixtures are not acceptable for fan support and may need to be replaced. Consult a qualified electrician if in doubt.

Electrical diagrams are for reference only. Light kits that are not packed with the fan must be UL listed and marked as suitable for use with the model fan you are installing. Switches must be UL general use switches. Refer to the instructions packaged with the light kits and switches for proper assembly.

After installation is complete, check that all connections are absolutely secure.

After making electrical connections, spliced conductors should be turned upward and pushed carefully up into outlet box. The wires should be spread apart with the grounded conductor and the equipment-grounding conductor on one side of the outlet box.

**WARNING:** To reduce the risk of electrical shock and fire, do not use this fan with any solid-state fan speed control device, or rheostat.

Do not separate the reverse switch until the fan has come to a complete stop.

Do not insert anything into the fan blades while they are rotating.

**WARNING:** To reduce the risk of personal injury, do not bend the blade brackets (also referred to as "flanges") during assembly or after installation. Do not insert objects in the path of the blades.

To avoid personal injury or damage to the fan and other items, be cautious when working around or cleaning the fan.

Do not use water or detergent when cleaning the fan or fan blades. A dry dust cloth or lightly dampened cloth will be suitable for most cleaning.

# Vaczon



Wood screws (4PCS)



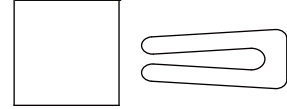
Mounting screws (2PCS)



Plastic wire nut (3PCS)



washer (2PCS)



Balanced parts package (1PCS)



Blade bracket screws (1PCS)



spring washer (2PCS)



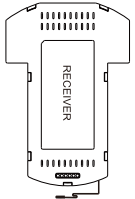
Blade screw (16PCS)



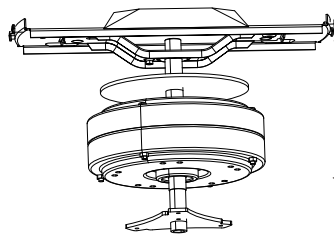
English screw (1PCS)



Blade washer (16PCS)

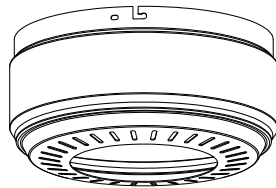


REMOTE CONTROL (1PCS)



Mounting Bracket

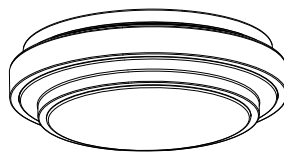
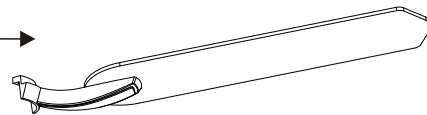
Fan-motor assembly



Decorative cover

Blade (5PCS)

Blade bracket (5PCS)



Light kit

Pls check whether above accessories are completed or not? Yes, and install.

## Basic Product Parameters

---

SKU	VZA01N105A	Voltage	110-120 VAC
Fan Blade Span	52"	Rated Wattage	30W(motor) 3X E26 MAX3.5W (bulbs not included)
Maximum Airflow	3784CFM	RPM	130-196rpm
Maximum Noise	58db(A)	Number of rotating blades	5blades

## Care And Clean

---

1. Check the support connections, brackets, and airfoil attachments twice a year. Make sure they are secure. Because of the fan's natural movement, some connections may become loose over time. It is not necessary to remove the fan from the ceiling.
2. Clean your fan periodically. Use only a soft brush or lint-free cloth to avoid scratching the finish. The plating is sealed with a lacquer to minimize discoloration or tarnishing.
3. (Optional) Apply a light coat of furniture polish to the wood blades.
4. (Optional) Cover small scratches with a light application of shoe polish.

### Do Not:

1. Use water when cleaning. Water could damage the motor, or the wood, or possibly cause an electrical shock.
2. Apply oil to your fan or motor. The motor has permanently lubricated sealed ball bearings. Note: Power off the fan before product maintenance or cleaning the fan.

**Note: Power off the fan before product maintenance or cleaning the fan.**

## FCC Statement

---

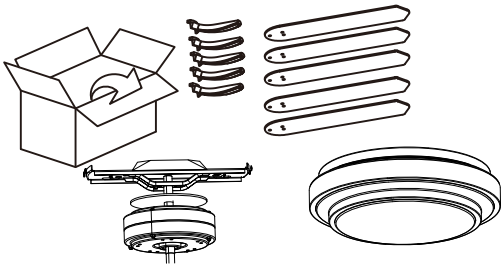
**NOTE:** This equipment has been tested and found to comply with the limits for a Class B digital device, pursuant to part 15 of the FCC Rules. These limits are designed to provide reasonable protection against harmful interference in a residential installation. This equipment generates, uses, and can radiate radio frequency energy and, if not installed and used in accordance with the instructions, may cause harmful interference to radio communications. However, there is no guarantee that interference will not occur in a particular installation. If this equipment does cause harmful interference to radio or television reception, which can be determined by turning the equipment off and on, the user is encouraged to try to correct the interference by one or more of the following measures:

- Reorient or relocate the receiving antenna.
- Increase the separation between the equipment and receiver.
- Connect the equipment into an outlet on a circuit different from that to which the receiver is connected.
- Consult the dealer or an experienced radio/TV technician for help.

**WARNING:** Changes or modifications to this unit not expressly approved by the party responsible for compliance could void the user's authority to operate the equipment.



## ASSEMBLY INSTRUCTION



Take the finished VZA01N105A out of the packing box

### INSTALLING THE FAN:

1. Tools Required: Phillips screwdriver, pair of pliers, straight slot screwdriver, adjustable wrench, stepladder, and wire cutters.

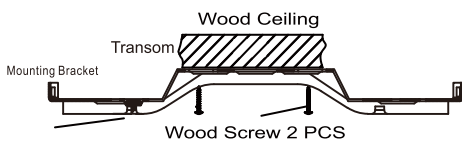
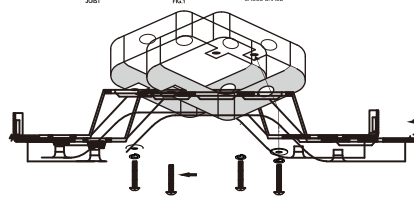
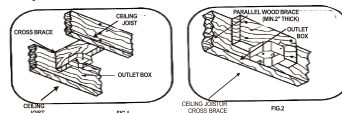
### INSTALLING THE MOUNTING BRACKET:

The ceiling fan must be installed in a location so that the blades are 12" (300mm) spacing from the tip of the blade to the nearest objects or walls. When hanging the Fan remember to turn off the power.

2. Follow the instruction below to hang your fan properly:

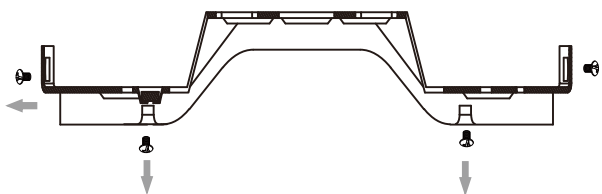
1. For concrete ceiling, drill two holes in the ceiling and secure the mounting bracket to the ceiling with two 0.32" (8mm) (distance between the two holes should be appropriate) expansion screws, flat washers, nuts provided and tighten with a spanner.

3. For installing to outlet box, secure the outlet box directly to the building structure. Use appropriate fasteners and building materials. The outlet box and its support must be able to fully support the moving weight of the fan (at least 100lbs). Use a UL listed metal outlet box. Do not use a plastic outlet box. Figure 1 & 2 examples to mount the outlet box.

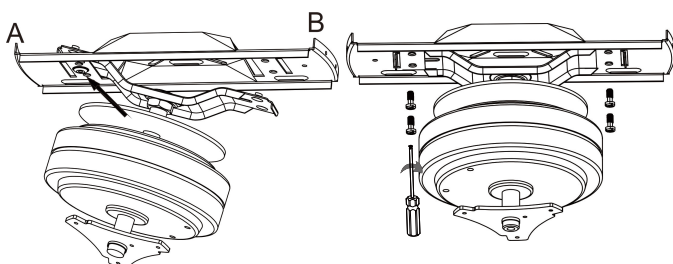


! Note

Check whether it is securely installed.

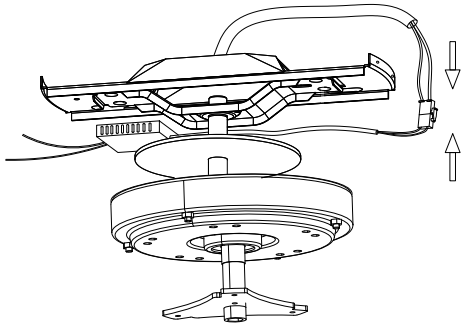


Use a Phillips screwdriver to loosen the screw in the direction of the arrow shown in the figure and place the screw for subsequent installation.



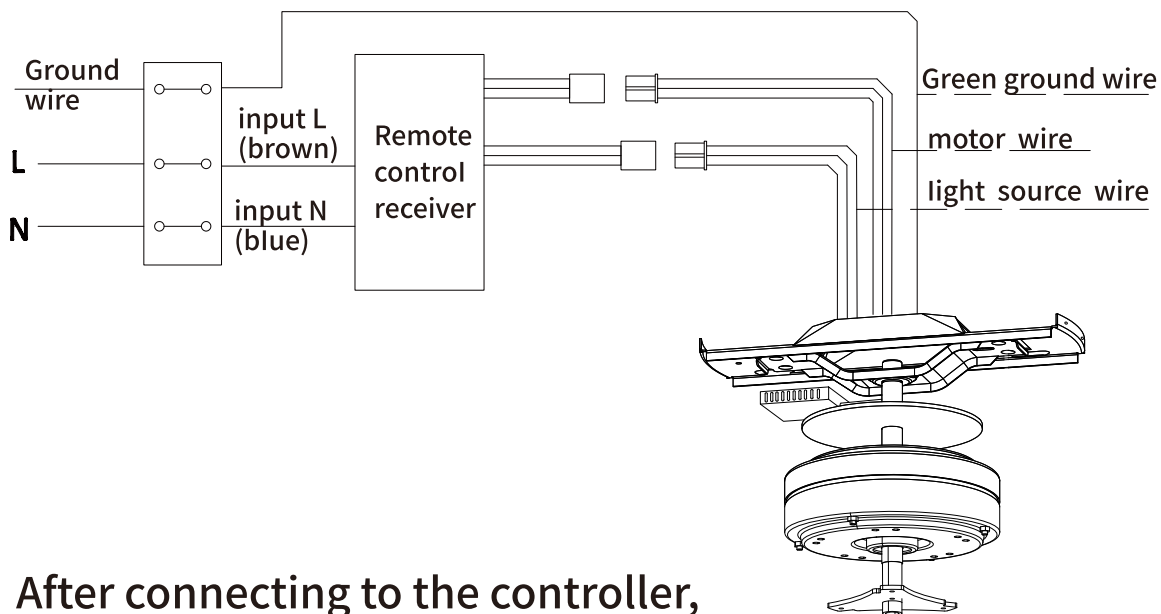
Place the left tab (A) of the lower mounting bracket into a left large slot (A) in the upper mounting bracket. Then slide the right tab (B with Oval Hole) of the lower mounting bracket into the right large slot (B) on the upper mounting bracket until all four holes are in alignment. (PS: A tab is for A slot, and B tab is for B slot)

# Vaczon



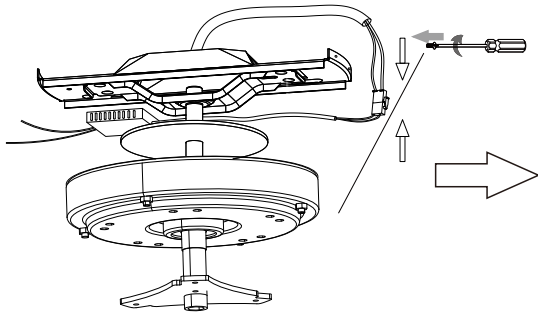
Safety rope installation procedure

## Remote control connection

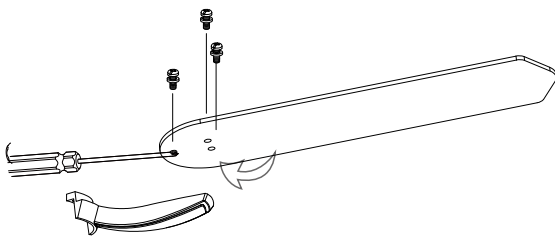


After connecting to the controller, install the main body of the fan and lock the security screw.

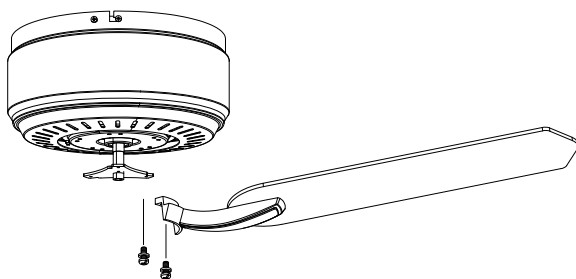
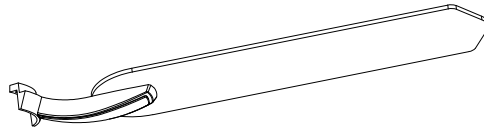
# Vaczon



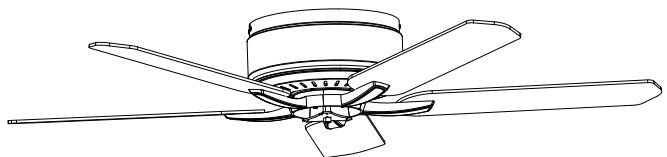
Installation of decorative cover



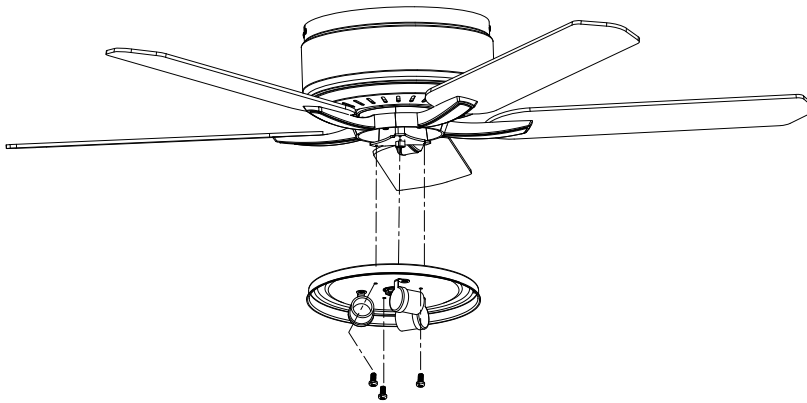
Installation of blade and blade bracket



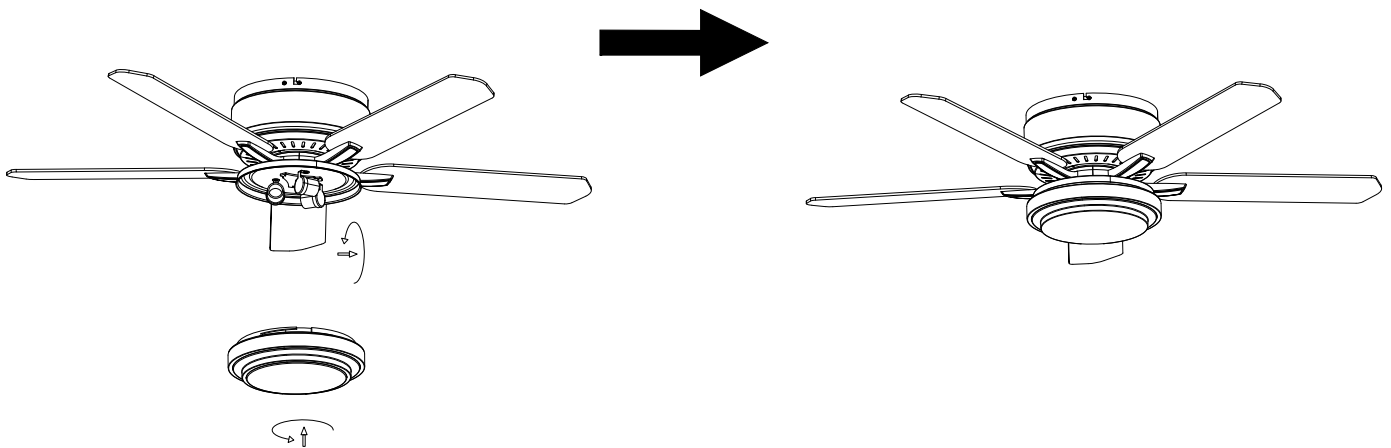
Blade assembly installation diagram



Effect after installation of blades



Connect the wire from the bottom of the fan motor assembly to the wire from the light kit pan. Attaching the light kit to the fan motor. Make sure all the screws are firmly tightened. (Bulbs not included)



Install the lamp shade in place and rotate the lamp shade clockwise.

The effect after finishing the installation.

## OPERATING YOUR FAN

Turn on the power and check the fan's operation.

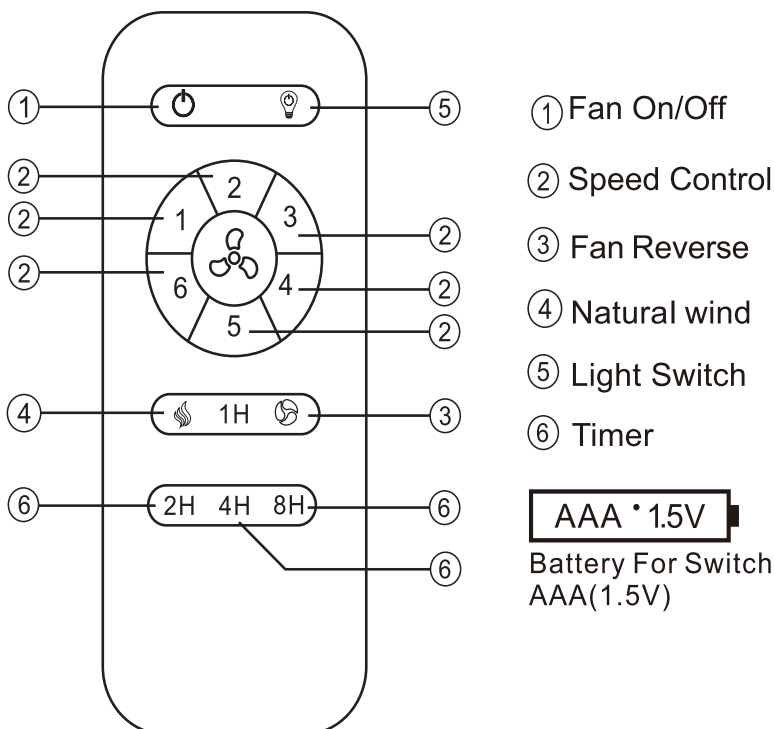
The appropriate speed settings of warm or cool weather depend on many factors such as the room size, ceiling height, and fans' number.

## REMOTE CONTROL SETTING AND OPERATION

1. Restore electricity to the outlet box by turning the electricity on at the main fuse box.
2. Remove the battery cover from the remote control transmitter, then put the battery in and fit the cover on.

Note:

- 1). Use 2 PCS AAA battery to install.
- 2). If not used for long periods of time, remove the battery to prevent damage to the remote transmitter, and store it away from excess heat or humidity.



## Troubleshooting

Try these troubleshooting steps before contacting the Customer Service. For additional operation, maintenance, and troubleshooting information, please contact our customer service center.

SYMPTOM	POSSIBLE SOLUTION
Fan not spinning	<ol style="list-style-type: none"> <li>1. Make sure the fan is getting power.</li> <li>2. Check your circuit breaker or fuse panel and wall switch for functionality.</li> <li>3. Fan wires are connecting with the house wires correctly.</li> <li>4. Remote control must be paired with the fan within 10 minutes after the fan getting power.</li> <li>5. If you have paired the app but the fan still didn't work (light and fan both didn't work) or couldn't pair the app to the fan, try to reset the fan: to reset the fan, cut the power for 10 minutes, then turn the power on and press the pairing button on the remote for 5 seconds still hear beep sound, then pair the Carrohome app again.</li> <li>6. Use a multi-meter and test the adapter wiring harness to see if there is any electrical output.</li> <li>7. All the pin wiring on the circuit board are inserted tight and in the right position.</li> <li>8. Remote need to pair with the fan first.</li> <li>9. Make sure the fan blades spin freely.</li> <li>10. If you're using a wall control, check the power to the breaker from your control and try working your ceiling fan manually. (Normal switch only for the fan power on/off)</li> </ol>
Fan light not working	<ol style="list-style-type: none"> <li>1. Make sure LED wires are connected to the circuit board.</li> <li>2. Make sure the whole fan is powered.</li> <li>3. Remote need to pair with the fan first, correctly and in the retention slot.</li> </ol>
The fan is noisy and wobbling	<ol style="list-style-type: none"> <li>1. Check if the blade screws are NOT rubbing against the round plastic part of the motor.</li> <li>2. Check the pin wire are NOT connected against the moving part.</li> <li>3. Check the down fan cup is NOT hitting the motor.</li> <li>4. Confirm the canopy is NOT touching the ceiling while the fan is in operation</li> <li>5. Check the down rod is NOT slanted.</li> <li>6. Tighten any loose screws on the light kit, fan blades, motor coupling, down rod, brackets and mounting hardware.</li> <li>7. Confirm the hanger ball is firmly seated in the mounting bracket.</li> <li>8. The ceiling beam must meet the minimum tensile test strength of 30KG for installation.</li> <li>9. Make sure the airfoils and brackets are NOT bent or deformed.</li> <li>10. Verify the wire connections are not rattling against each other.</li> <li>11. Verify the fan blades are not cracked. If the fan blades are cracked, replace the damaged blades with a new blade set from the same brand as your ceiling fan to ensure compatibility.</li> <li>12. The light kit is NOT slanting and hitting the motor.</li> </ol>
Unable to pair remote and app (Only for smart Fan)	<ol style="list-style-type: none"> <li>1. Check if the wires are connected in the right position or not.</li> <li>2. Check the batteries in the remote.</li> <li>3. Disconnect the power for 10 minutes, reconnect the power and pair the remote with the fan immediately, within 5 seconds. Also try pairing the App to reconnect.</li> <li>4. The WiFi must be 2.4Ghz, incompatible with 5Ghz WiFi or combine with 5Ghz.</li> <li>5. App must in the new version.</li> <li>6. Connect with correct app "Vaczon Home"</li> </ol>
Fan or light turning on or off by themselves	<ol style="list-style-type: none"> <li>1. Confirm the circuit breaker is not malfunctioning</li> <li>2. Verify the wire connections are not frayed.</li> <li>3. Check the app is not set the timer or schedule</li> <li>4. Cut the fan power for 10 minutes then power on again.</li> <li>5. All the pins wiring on the circuit board are inserted tight and in the right position.</li> </ol>



***Vaczon***