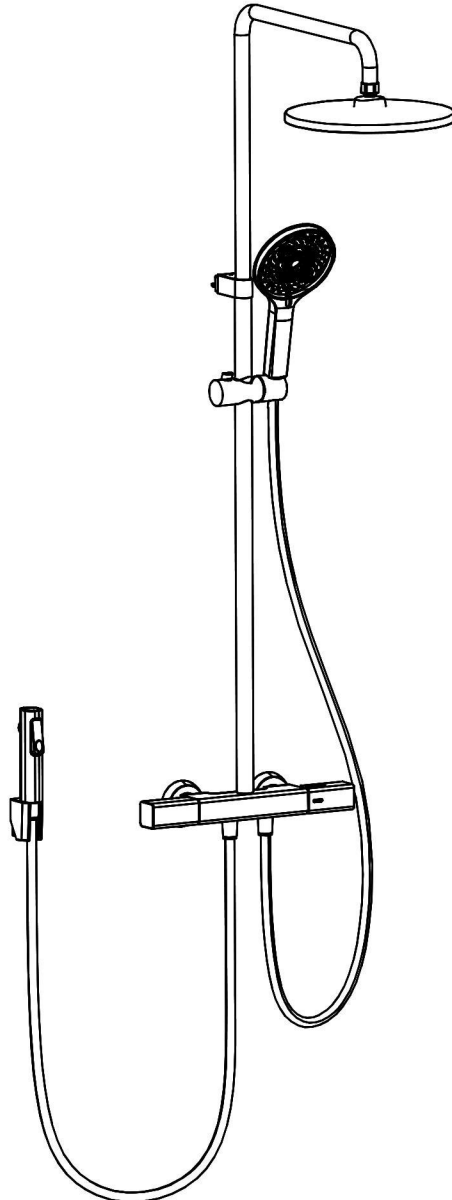


User's Manual



INSTALLATION INSTRUCTIONS

Installation Manual



IAPMO RESEARCH AND TESTING, INC.
5001 East Philadelphia Street, Ontario, California 91761-2816 • USA • 909-472-4100 • 909-472-4244 • www.iapmort.org

CERTIFICATE OF LISTING

C  IAPMO Research and Testing, Inc. is a product certification body which tests and inspects samples taken from the supplier's stock or from the market or a combination of both to verify compliance to the requirements of applicable codes and standards. This activity is coupled with periodic surveillance of the manufacturer's production process, including on-plant testing, that ensures the approval of the Product Certification Committee, or any successor organization, as well as to be conducted as an independent, assurance or guarantee by IAPMO Research and Testing, Inc. of the product compliance with applicable codes and standards. This listing is subject to the conditions set forth in the applicable codes and standards. This listing is subject to the conditions set forth in the applicable codes and standards. This listing is subject to the conditions set forth in the applicable codes and standards.

This certificate is not evidence of current listing. To verify listing status, visit the IAPMO R&T Product Listing Directory at pld.iapmo.org

Effective Date: December 2019 -Rev. 2/24/2020- Void After: December 2024
Product: Flexible Water Connectors File No. 5111
Issued To: Fanak Group Inc.
Mechanical & Electrical
Industrial Zone,
Yuhuan County,
Yuhuan 317600, ZHEJIANG
China

Identification: Products shall be marked with manufacturer's name or trademark, a statement "For use with water in accessible locations only." The products shall also bear the cUPC® certification mark. Markings shall be by means of either a permanent mark on the product, a label on the product or a tag attached to the product.

Characteristics: Flexible water connectors manufactured in various sizes, lengths and metal and fittings for hot or cold water applications that consist of an inner tube, which may or may not have an outer braided cover. Connectors are to be installed for use in accessible locations only. To be installed in accordance with the manufacturer's instruction, and the latest edition of the Uniform Plumbing Code and National Plumbing Code of Canada.

Products listed on this certificate have been tested by an IAPMO R&T recognized laboratory. This recognition has been granted based upon the

 
Chairman, Product Certification Committee CEO, The IAPMO Group

This listing period is based upon the last date of the month indicated on the Effective Date and Void After Date shown above. Any change in material, manufacturing process, marking or design without testing that obtained the approval of the Product Certification Committee, or any successor organization, shall constitute a new listing. This listing is subject to the conditions set forth in the applicable codes and standards. This listing is subject to the conditions set forth in the applicable codes and standards. This listing is subject to the conditions set forth in the applicable codes and standards.

Production of or reference to this form for advertising purposes may be made only by specific, written permission of IAPMO Research and Testing, Inc. Any alteration of this certificate could be grounds for revocation of this listing. This document shall be reproduced in its entirety.



IAPMO RESEARCH AND TESTING, INC.
5001 East Philadelphia Street, Ontario, California 91761-2816 • USA • 909-472-4100 • 909-472-4244 • www.iapmort.org

CERTIFICATE OF LISTING

C  IAPMO Research and Testing, Inc. is a product certification body which tests and inspects samples taken from the supplier's stock or from the market or a combination of both to verify compliance to the requirements of applicable codes and standards. This activity is coupled with periodic surveillance of the manufacturer's production process, including on-plant testing, that ensures the approval of the Product Certification Committee, or any successor organization, as well as to be conducted as an independent, assurance or guarantee by IAPMO Research and Testing, Inc. of the product compliance with applicable codes and standards. This listing is subject to the conditions set forth in the applicable codes and standards. This listing is subject to the conditions set forth in the applicable codes and standards. This listing is subject to the conditions set forth in the applicable codes and standards.

This certificate is not evidence of current listing. To verify listing status, visit the IAPMO R&T Product Listing Directory at pld.iapmo.org

Effective Date: November 2019 Void After: November 2024
Product: Plumbing Fixture Fittings File No. 10613
Issued To: Aqua Gallery Co., Ltd
118-118A Ailo Block
International Dynamics
Sanitary City, 528000
Foshan,
China

Identification: Plumbing supply fittings complying with this Standard shall be marked with the manufacturer's recognized name, trademark, or other mark or, in the case of private labeling, the name, trademark or other mark of the customer for whom the fitting was manufactured. The marking shall be accomplished by use of a permanent mark or by placing a permanent label on the product. Markings on plumbing supply fittings shall be visible after installation.

Single-handle, single-control, and automatic compensating mixing bath and shower valves shall have identifiable temperature control settings in which the settings are indicated by words ("cold", "warm", "hot", etc.), by numbers, or graphically.

Packages shall be marked with the manufacturer's name, trademark, or other mark as well as the model number or, in the case of private

 
Chairman, Product Certification Committee CEO, The IAPMO Group

This listing period is based upon the last date of the month indicated on the Effective Date and Void After Date shown above. Any change in material, manufacturing process, marking or design without testing that obtained the approval of the Product Certification Committee, or any successor organization, shall constitute a new listing. This listing is subject to the conditions set forth in the applicable codes and standards. This listing is subject to the conditions set forth in the applicable codes and standards. This listing is subject to the conditions set forth in the applicable codes and standards.

Production of or reference to this form for advertising purposes may be made only by specific, written permission of IAPMO Research and Testing, Inc. Any alteration of this certificate could be grounds for revocation of this listing. This document shall be reproduced in its entirety.



IAPMO RESEARCH AND TESTING, INC.
5001 East Philadelphia Street, Ontario, California 91761-2816 • USA • 909-472-4100 • 909-472-4244 • www.iapmort.org

CERTIFICATE OF LISTING

C  IAPMO Research and Testing, Inc. is a product certification body which tests and inspects samples taken from the supplier's stock or from the market or a combination of both to verify compliance to the requirements of applicable codes and standards. This activity is coupled with periodic surveillance of the manufacturer's production process, including on-plant testing, that ensures the approval of the Product Certification Committee, or any successor organization, as well as to be conducted as an independent, assurance or guarantee by IAPMO Research and Testing, Inc. of the product compliance with applicable codes and standards. This listing is subject to the conditions set forth in the applicable codes and standards. This listing is subject to the conditions set forth in the applicable codes and standards. This listing is subject to the conditions set forth in the applicable codes and standards.

This certificate is not evidence of current listing. To verify listing status, visit the IAPMO R&T Product Listing Directory at pld.iapmo.org

Effective Date: March 2019 Void After: March 2024
Product: Plumbing Fixture Fittings - Components File No. MC-9703
Issued To: Ningbo Nandai Cartridge Technology Co., Ltd.
Liaohou Zone, Chunmou
Fenghua 311030
China

Identification: Each fitting component shall bear permanent legible markings to identify the manufacturer. This marking shall be the trade name, trademark, or other mark known to identify the manufacturer. The product shall also bear all other markings required by the standards. The marking shall be applied so as to be visible after installation. The product or packaging shall also bear the cUPC® certification mark along with the term "COMPONENT" above.

Characteristics: Plumbing fixture fitting components to be installed in accordance with the manufacturer's instructions and the requirements of the latest edition of the Uniform Plumbing Code.

Products listed on this certificate have been tested by an IAPMO R&T recognized laboratory. This recognition has been granted based upon the Laboratory's compliance to the applicable requirements of ISO/IEC 17025.

Products are in compliance with the following code(s):
Uniform Plumbing Code (UPC®)

 
Chairman, Product Certification Committee CEO, The IAPMO Group

This listing period is based upon the last date of the month indicated on the Effective Date and Void After Date shown above. Any change in material, manufacturing process, marking or design without testing that obtained the approval of the Product Certification Committee, or any successor organization, shall constitute a new listing. This listing is subject to the conditions set forth in the applicable codes and standards. This listing is subject to the conditions set forth in the applicable codes and standards. This listing is subject to the conditions set forth in the applicable codes and standards.

Production of or reference to this form for advertising purposes may be made only by specific, written permission of IAPMO Research and Testing, Inc. Any alteration of this certificate could be grounds for revocation of this listing. This document shall be reproduced in its entirety.

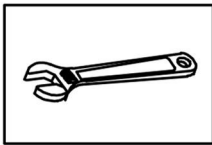


BEFORE INSTALLATION

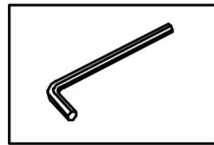
► Notes before installation

1. Please check that all components are present.
2. Before installation ensure that all feed lines are clear of debris and on/off valve is present.
3. Pictures in the manual are general in content and may not represent exactly your purchased faucet.
If you are having difficulties please contact a professional plumber.
4. If you will be away from home for an extended period you should shut off the main water supply.

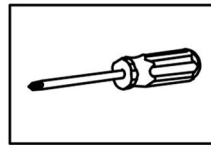
► Recommend Tools And Materials



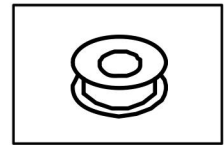
Adjustable Wrench



Hexagon wrench

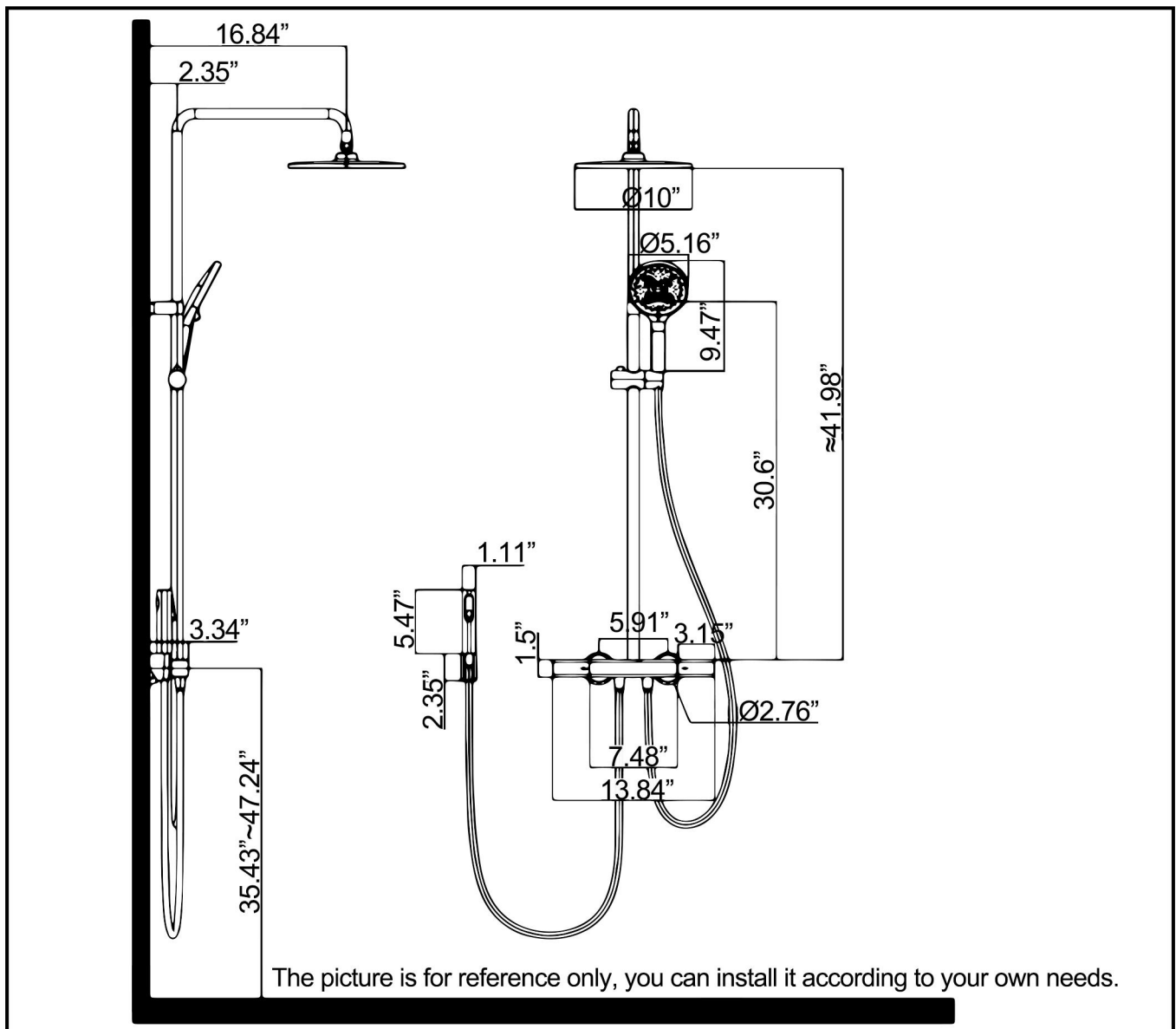


Phillips Screwdriver



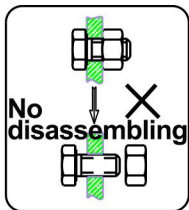
Pipe Tape

► Installation Dimension

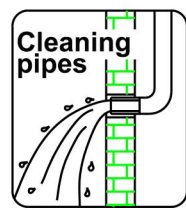


INSTALLATION STEPS

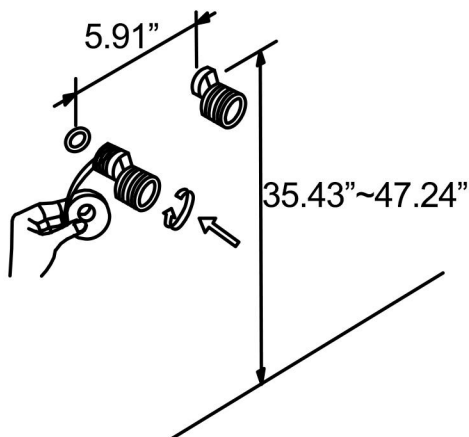
This product has been inspected and debugged by the factory to the best condition. Please do not disassemble and assemble it yourself.



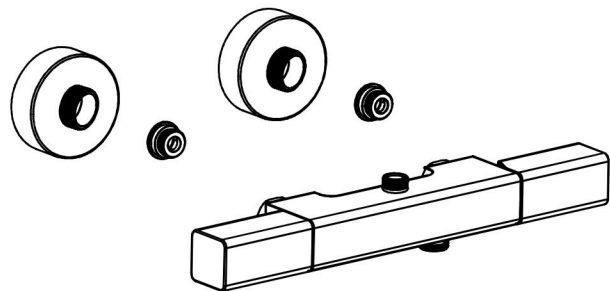
Before installing the product, please be sure to remove sundries and sludge from the water pipe to prevent sundries from blocking the product.



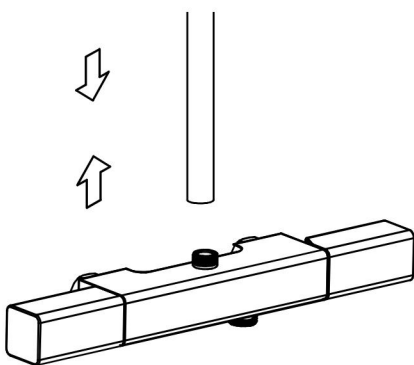
1. As shown, install the accessories and attach the tape.



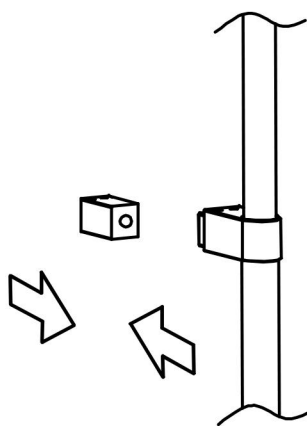
2. Install the main body and rubber pad.



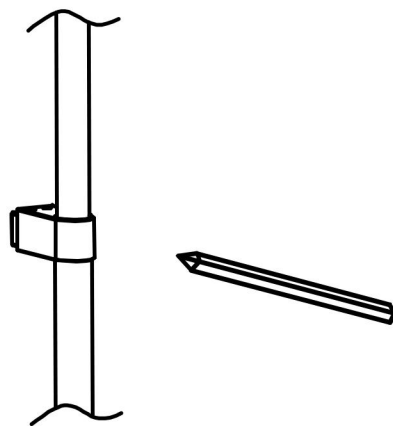
3. Install the riser on the faucet.



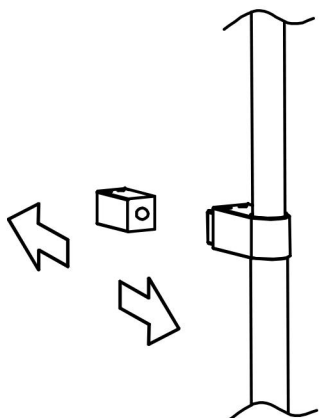
4. Install the mounting piece on the shower arm.



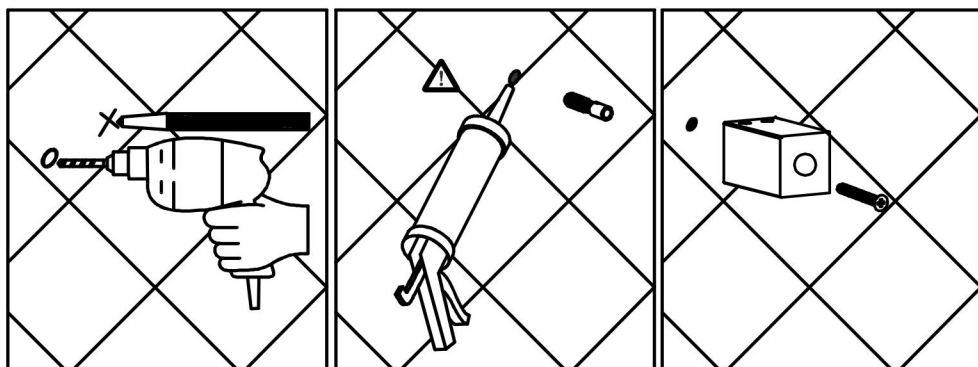
5. Make sure the riser is level, mark the position of the screw holes.



6. Remove the riser and the mounting piece.

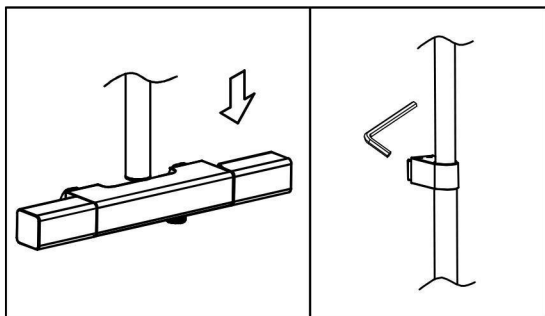


7. Drill the screw holes and install the anchors. Install the mounting piece and mounting piece seal.

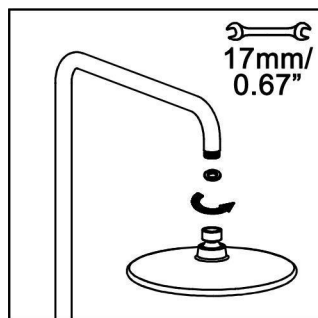


INSTALLATION STEPS

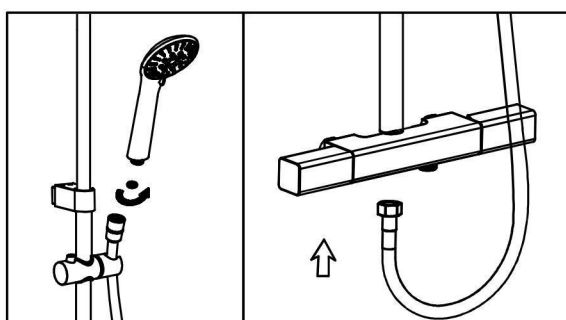
8. Install the riser on the faucet, tighten the screw.



9. Install the rain shower head.

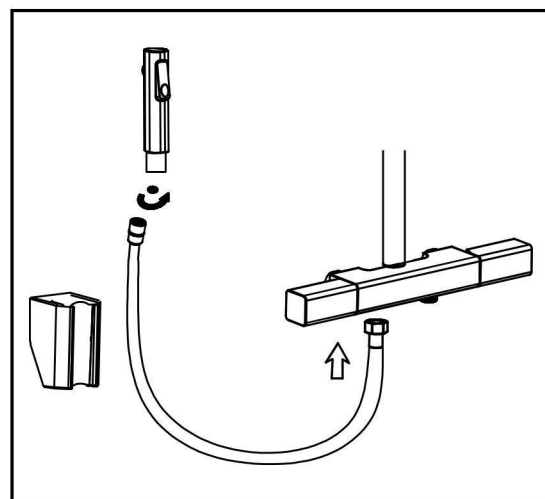
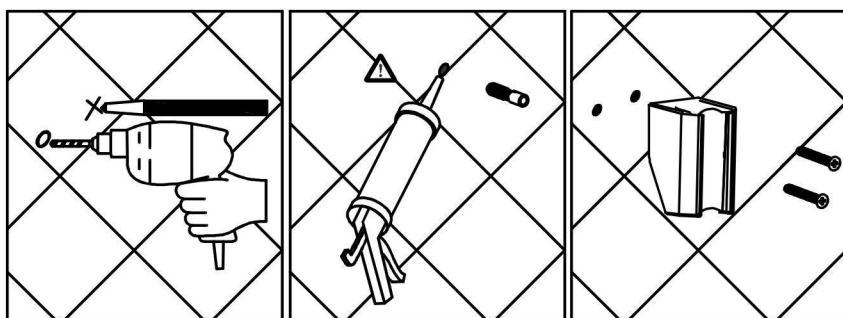


10. Place the hose washer in the short hose end connection. Connect this end of the hose to the main body. Place the screen washer in the long hose end connection. Install the hand shower on this end of the hose. Rest the hand shower in the holder.



12. Connect the two ends of the hose to the main body and the spray gun respectively, and finally put the spray gun in the holder.

11. Install the riser on the faucet, tighten the screw.



CLEANING CARE

In order to keep the appearance of product clean, bright and good performance, please take care of the product as follows;

1. Rinse with water only and dry with soft cotton cloth;
2. Use mild liquid and colorless glass cleaner to remove surface dirt and scale film, or use polish without abrasive effect;
3. Do not use abrasive detergent, polish, emery cloth, paper towel or scraper, etc;
4. Do not use acid cleaner, or cleaner and soap with insoluble gran etc;
5. In the process of use, mud may accumulate in the bubbler and make the water flow show, The bubbler can be unscrewed, rinsed with water, and then installed back in place.



