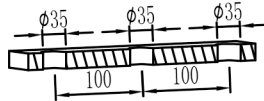
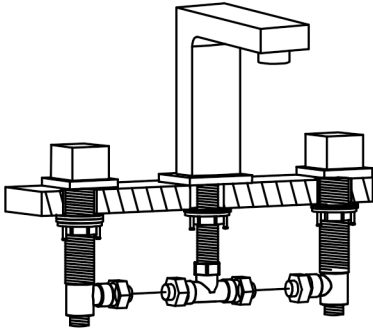
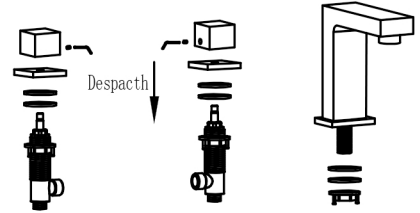


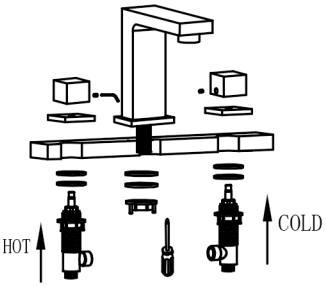
Three Holes Faucet



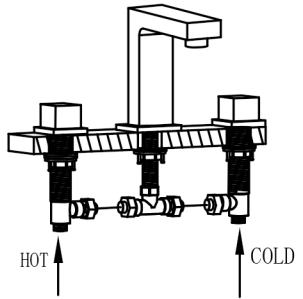
1. Hole:35mm, Distance:100mm



2. Take apart the switch, the nut and gasket of the water nozzle.



3. Cartridge insert on the handle veritically from counter and screw the handles, then fixed the spout



4. Connect the pipe of spout and two handles, then fit the hot/cold water supply