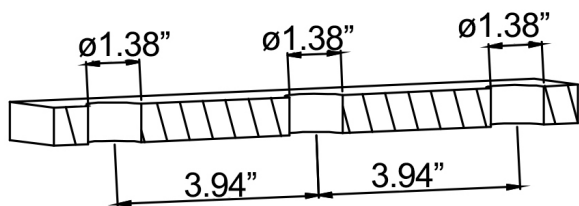
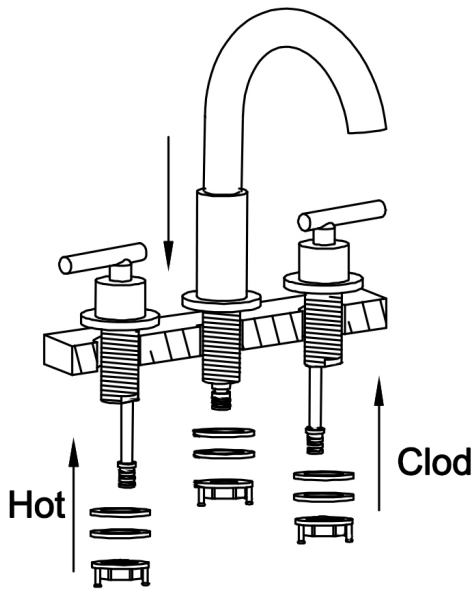


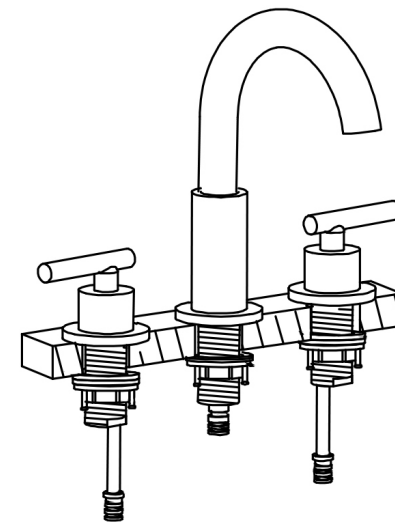
Three Holes Faucet.



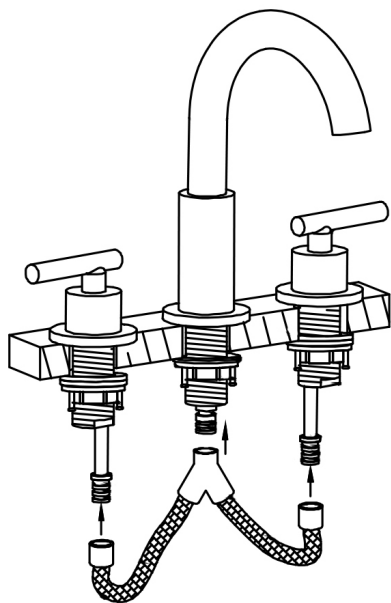
Hole:1.38", Distance:3.94"



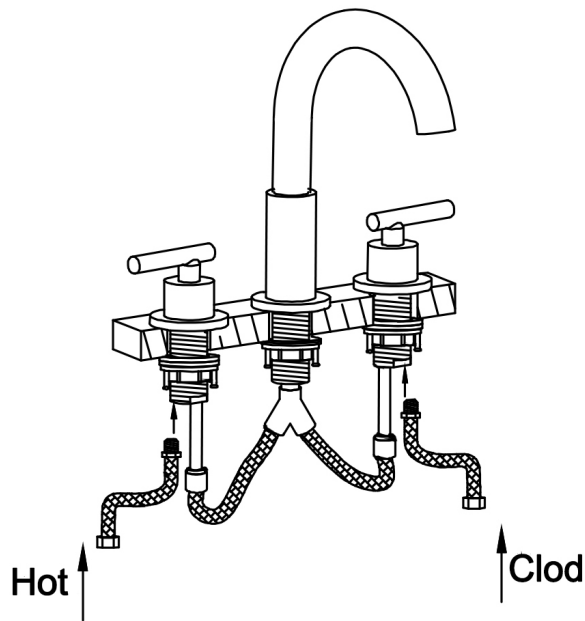
Despatch the parts.



Fixed on the counter and screw it.



Connect the pipe of spout and two handles.



Then fit the hot/cold water supply.