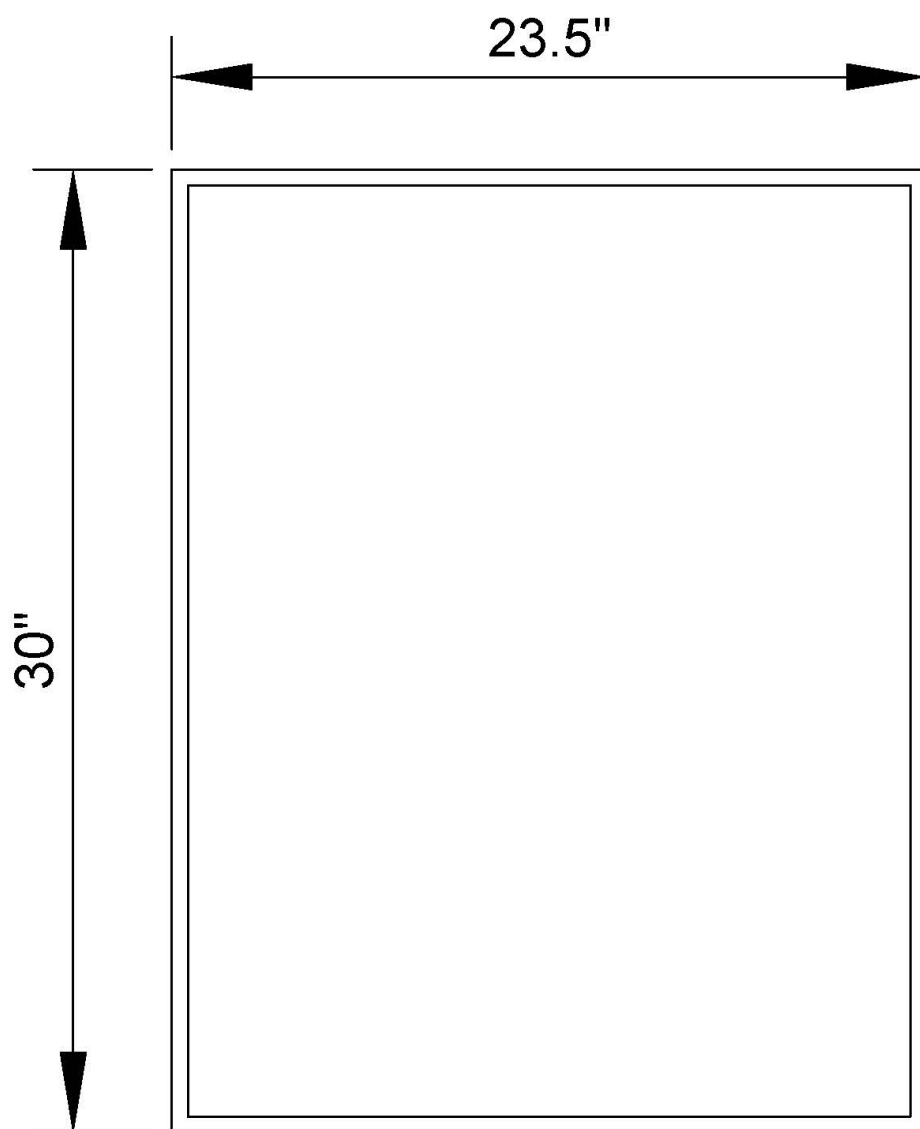
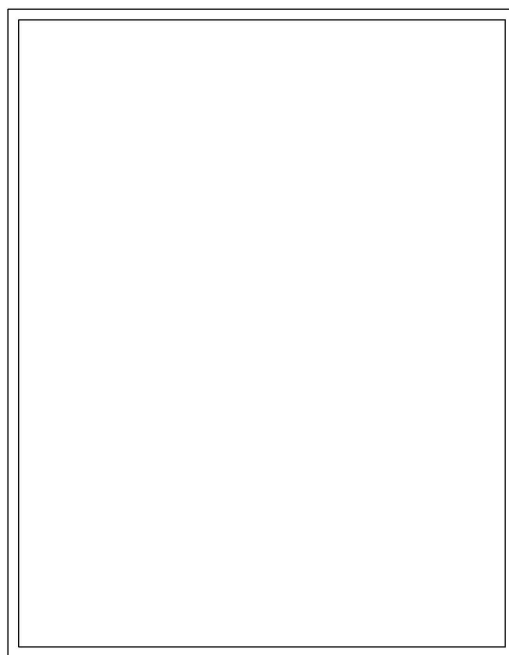
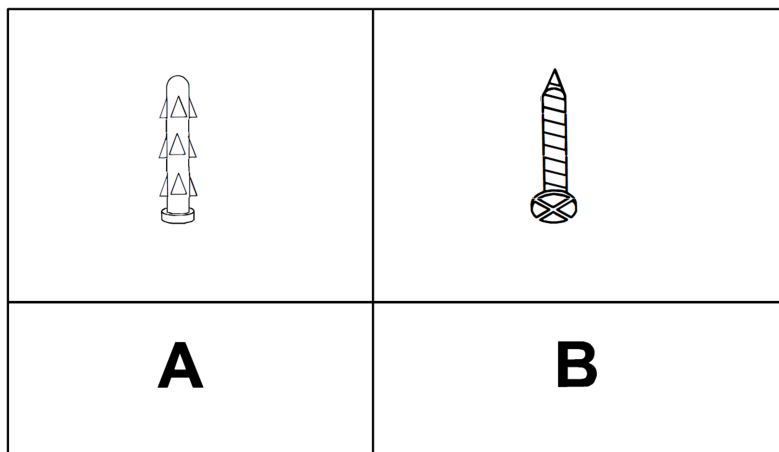


PWM230308-5

WALL MOUNTED MIRROR



PACKAGE CONTENTS



C

PART	DES CRIP TION	QTY.
A	Expansion tube	2
B	Self tapping screw	2
C	Mirror frame frame	1

! SAFETY INFORMATION

Please read and understand this entire manual before attempting to assemble, operate or install the product.

! WARNING

- If you have any questions about how to install this wall mounted mirror, or if the wall mounted mirror is not fully installed. Please contact the licensed contractor. All components are required to be used as shown in this instruction manual. Do not replace any components, discard them, or use any damaged components. If this instruction is not followed. The C.A.S certification of the wall mounted mirror is invalid.

PREPARATION

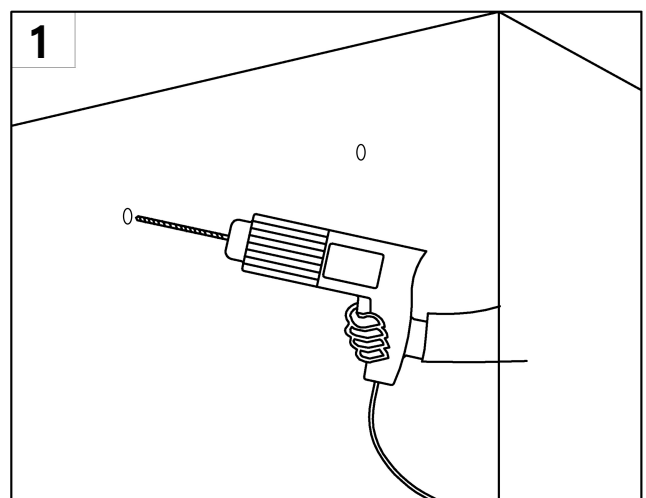
Before beginning assembly of product, make sure all parts are present. Compare parts with package contents list and hardware contents list. If any part is missing or damaged, do not attempt to assemble the product.

Assembly time: Assembly takes 10 to 15 minutes

Tools required for assembly (hand drill gun, screwdriver, marking pen, hammer, ladder, safety glasses)

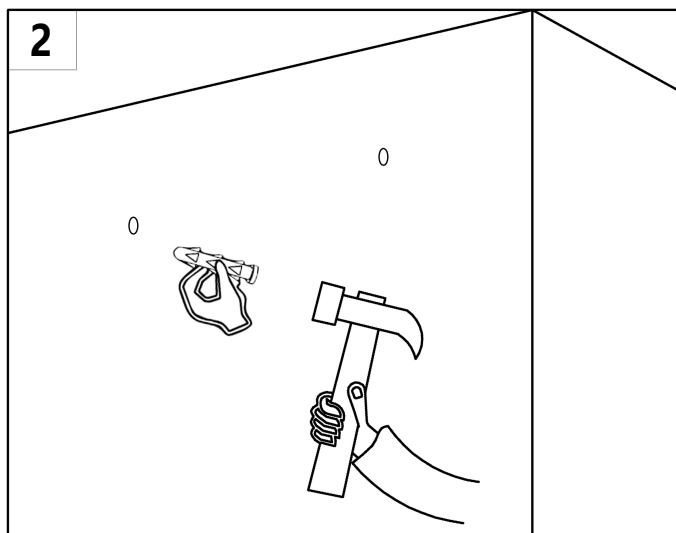
ASSEMBLY INSTRUCTIONS

1. **Note:** Use a hand drill gun to punch holes in the marks drawn on the wall.

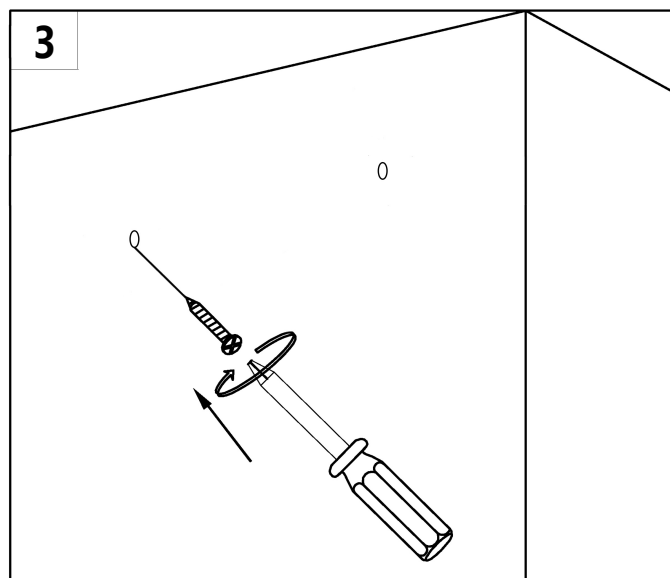


ASSEMBLY INSTRUCTIONS**2. Expansion tube (A)**

Note: Drive the expansion pipe into the hole with a hammer in sequence.

**3. hanging board (C) Self tapping screw (B)**

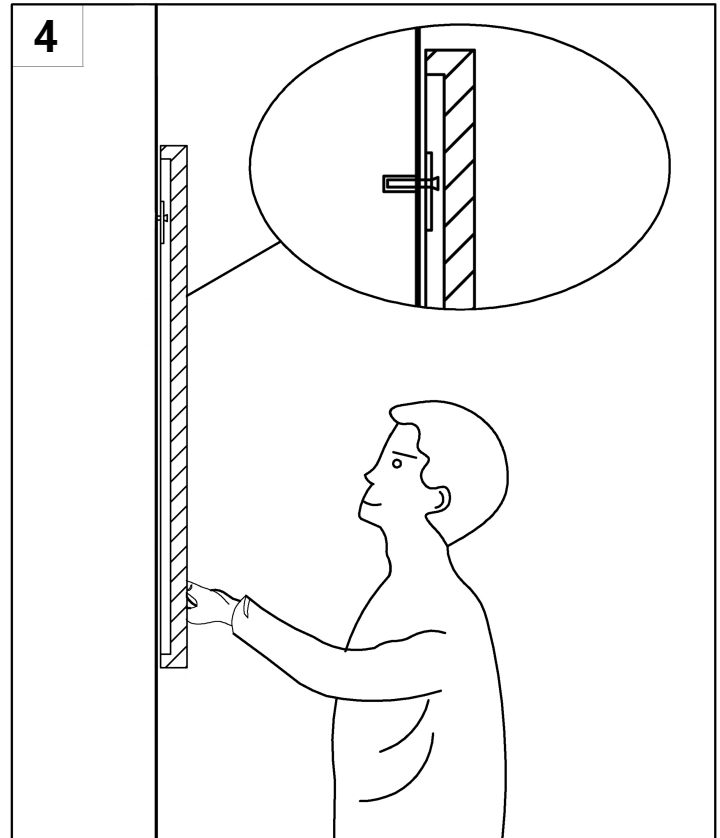
Note: Align the hole position of the hanging plate with the wall hole, and use self tapping screws to lock the hanging plate onto the wall in sequence.



ASSEMBLY INSTRUCTIONS

4. Mirror frame (A)

Note: Lift the wall mounted mirror frame, align the back hanging plate of the wall mounted mirror frame with the wall hanging plate. Then slowly move the wall mounted mirror frame downwards and clip the wall mounted mirror frame hanging board into the wall hanging board.



CARE AND MAINTENANCE

- Before cleaning this item, please use a soft, damp cloth and mild non abrasive soap.
- Use a soft, moist cloth with mild non-abrasive soap to clean fixture. Never use glass cleaner on fixture, as it will damage the metal finish.
- All glass shades may be washed in a towel-lined sink with warm water and mild soap. Do not wash shades in an automatic dishwasher.

TROUBLESHOOTING

PROBLEM	POSSIBLE CAUSE	CORRECTIVE ACTION
The wall mounted mirror frame is unstable or not upright when hanging	1. Check if the hanging plate on the back of the mirror frame is upright	1. Loosen the screws and place the hanging board upright. Tighten the hanging plate again.

WARRANTY

Ihome Adore warrants that its products will be free from defects in material and workmanship for one (1) year from the date of purchase by the Original Purchaser.

To replace a product that has a warranted defect, the Original Purchaser shall return any allegedly defective parts or products to the authorized Parrot Uncle warehouse that the product was purchased from with PROOF OF PURCHASE, Original Purchaser's name and return address and a description of the claimed product defect.

If any of the warranted products are found by Parrot Uncle, in its sole discretion, to be defective, such products will, at Parrot Uncle's sole option and cost, be replaced, repaired or refunded less an amount directly attributable to Original Purchaser's prior use of the product. Parrot Uncle will return the repaired or replaced product prepaid freight. This warranty does not cover labor or other costs or expenses to remove or install any defective, repaired or replaced product.

The parties here to expressly agree that Original Purchaser's sole and exclusive remedy against Parrot Uncle shall be for the repair, replacement or refund of defective products as provided here in. This warranty extends only to product ownership by the Original Purchaser; is not transferable whether to heirs, subsequent owners, or otherwise; and is void if the Original Purchaser ceases to own the product.

This warranty does not apply to any products that have been subjected to misuse, mishandling, misapplication, connected to voltage at more than 5% above standard North American voltage, unusual use (including but not limited to use in an environment where the annual average ambient operating temperature is below 27 or above 95 degrees Fahrenheit), neglect (including but not limited to improper maintenance), accident, acts of god such as high winds, improper installation or care, failure to follow the Product's written instructions for normal use and care, improper packaging of products returned to Parrot Uncle, modification (including but not limited to use of unauthorized parts or attachments), or adjustment or repair. Significant product exposure to chemicals, harsh cleaners, salt water or salt air will void any and all warranties on exterior finishes. This warranty only applies when all components, including transformers, have been provided by Parrot Uncle. Substituting another manufacturer's product and/or components will render the warranty completely void.

THIS WARRANTY GIVES YOU SPECIFIC LEGAL RIGHTS. YOU MAY ALSO HAVE OTHER RIGHTS, WHICH VARY FROM STATE TO STATE. SOME STATES DO NOT ALLOW LIMITATIONS ON HOW LONG AN IMPLIED WARRANTY LASTS OR THE EXCLUSION OR LIMITATION OF INCIDENTAL OR CONSEQUENTIAL DAMAGES SO THE ABOVE LIMITATIONS OR EXCLUSIONS MAY NOT APPLY TO YOU.

THE FOREGOING WARRANTY IS IN LIEU OF ALL OTHER WARRANTIES, EXPRESS OR IMPLIED, INCLUDING THOSE OF MERCHANTABILITY, FITNESS FOR ANY PARTICULAR PURPOSE OR INFRINGEMENT. ORIGINAL PURCHASER SHALL IN NO EVENT BE ENTITLED TO, AND PARROT UNCLE SHALL NOT BE LIABLE FOR, INDIRECT, SPECIAL, INCIDENTAL OR CONSEQUENTIAL DAMAGES OF ANY NATURE, INCLUDING, BUT NOT LIMITED TO LOSS OF PROFIT, PROMOTIONAL AND/OR MANUFACTURING EXPENSES, OVERHEAD, INJURY TO REPUTATION AND/OR LOSS OF CUSTOMERS.