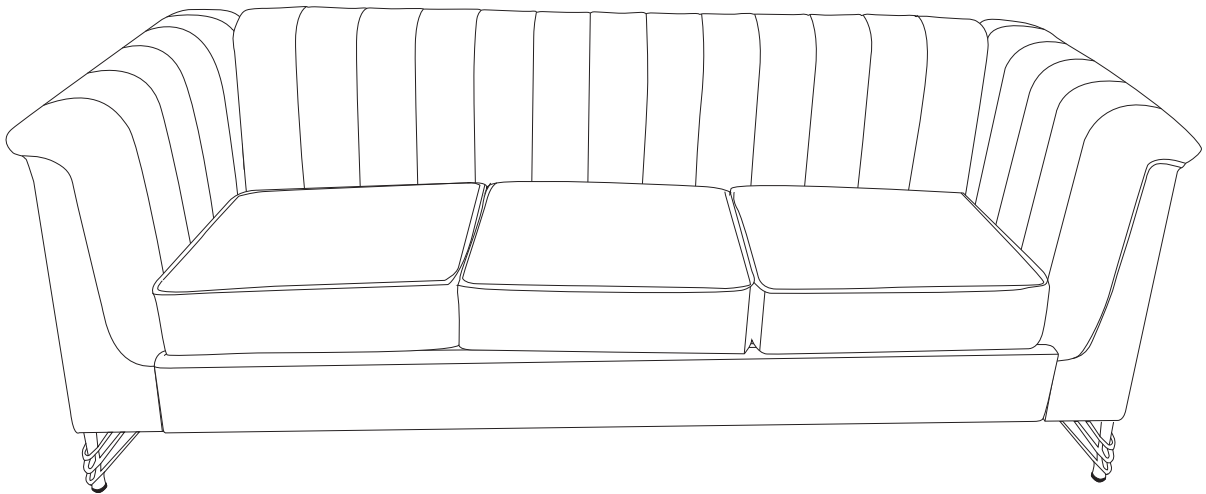
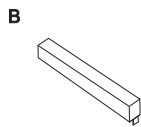


ASSEMBLY INSTRUCTIONS



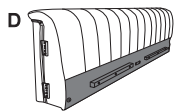
Legs
4PCS



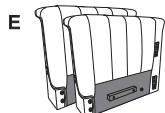
Center Bar
1PCS



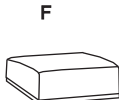
Bolt
16PCS



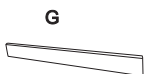
Sofa Back
1PCS



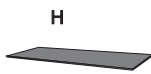
Arm
2PCS



Seat Cushion
3PCS



Front Board
1PCS



Bottom Board
1PCS

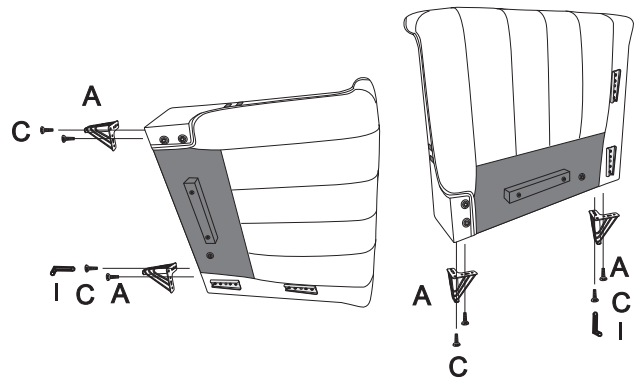


Allen key
1PCS

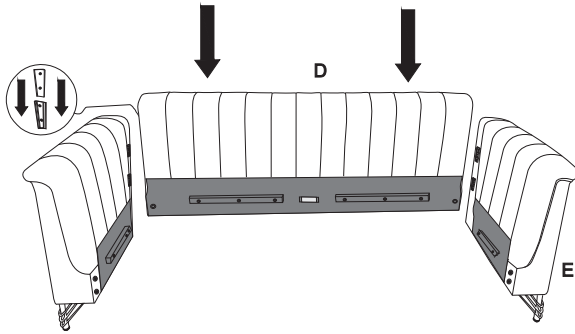


Angle bracket
2pcs

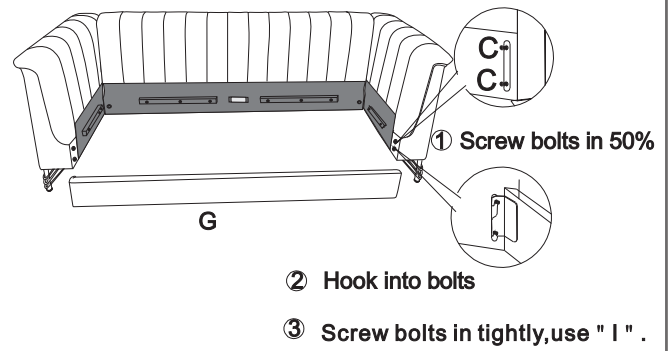
STEP 1



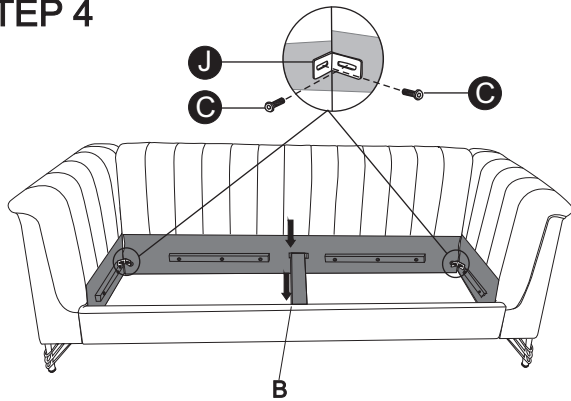
STEP 2



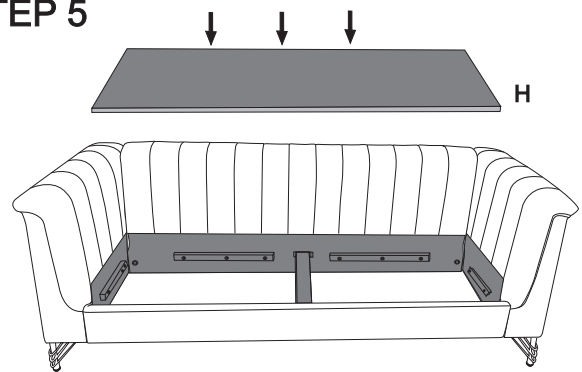
STEP 3



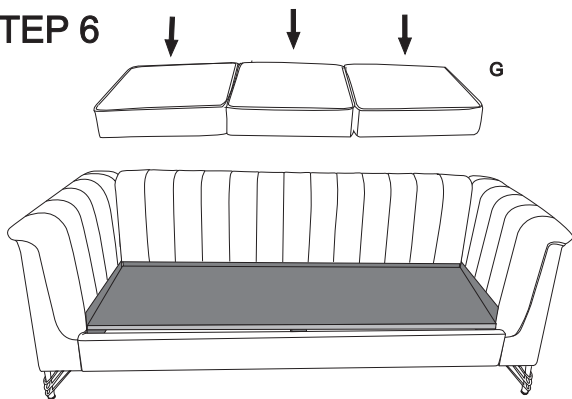
STEP 4



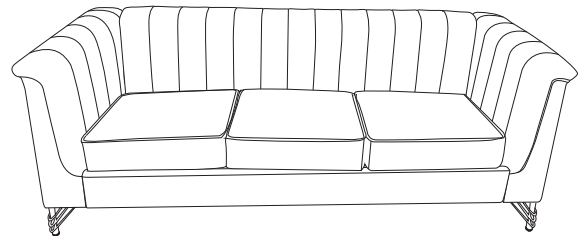
STEP 5



STEP 6



STEP 7



Attention:

*Please do not move the sofa after installation. If you need to move the sofa, please disassemble the sofa first, and re-install it at your destination.

*Please keep this installation instruction for your future use.