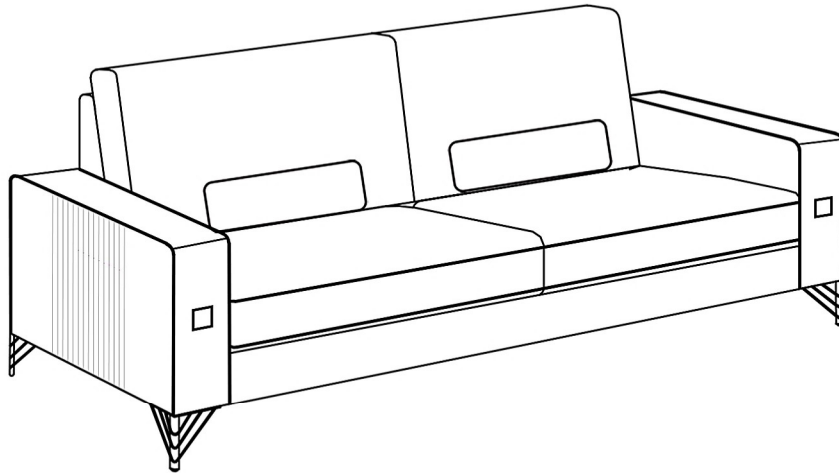


# ASSEMBLY INSTRUCTIONS

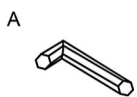
## ITEM NO:P18-3S



### Attention:

\*Please do not move the sofa after installation. If you need to move the sofa, please disassemble the sofa first, and re-install it at your destination.

\*Please keep this installation instruction for your future use.



Spanner  
1PCS



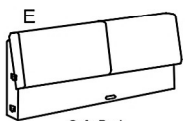
Bolt  
18PCS



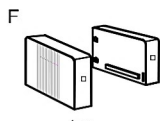
Middle leg  
1PCS



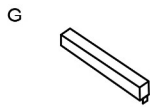
Legs  
4PCS



Sofa Back  
1PCS



Arm  
2PCS



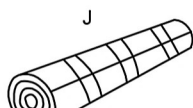
Center Bar  
1PCS



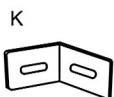
Seat Board  
1PCS



Front Board  
1PCS



Compressed seat cushion  
2PCS



Connect hardware  
2PCS

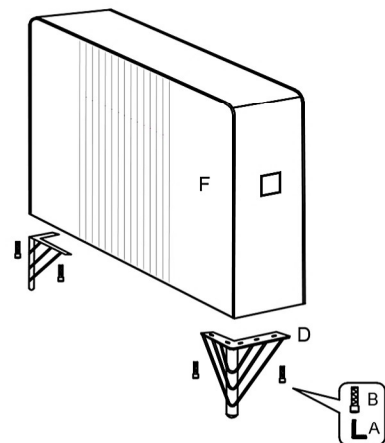


Seat cushion cover  
2PCS

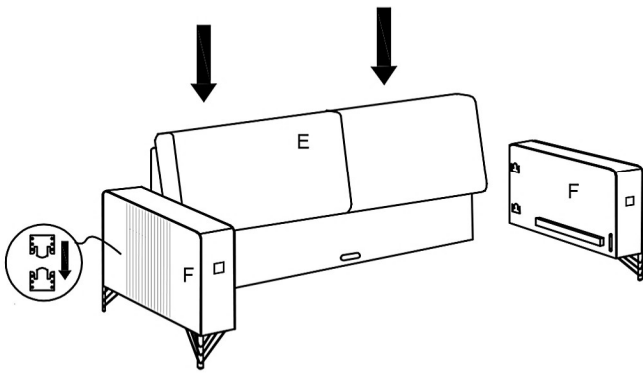


Lumbar pillow  
2 PCS

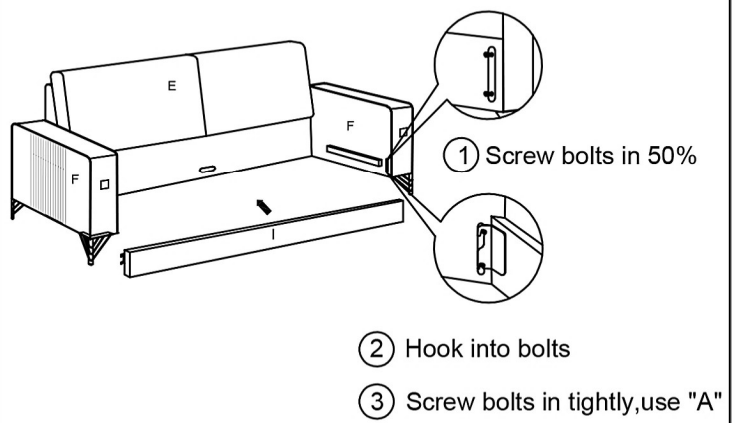
### STEP 1



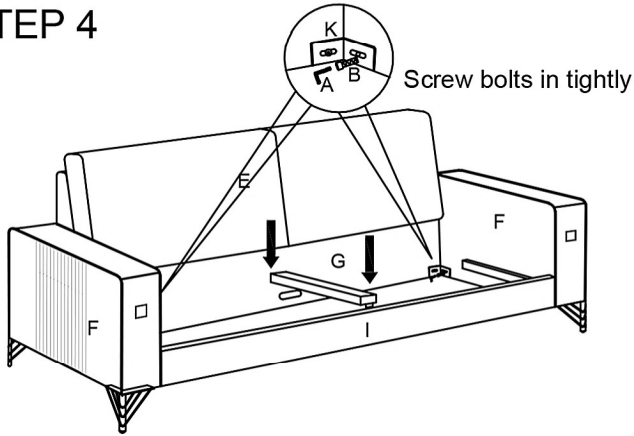
## STEP 2



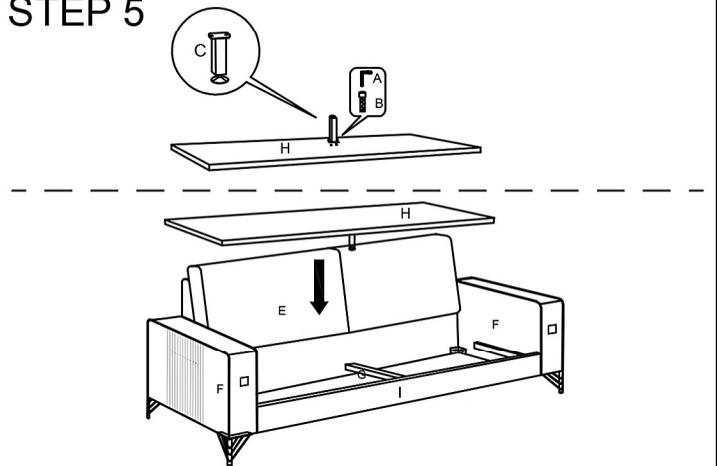
## STEP 3



## STEP 4



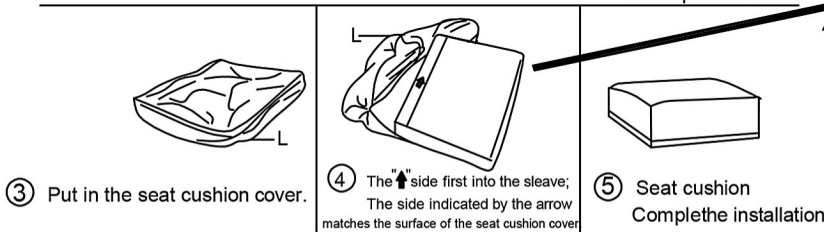
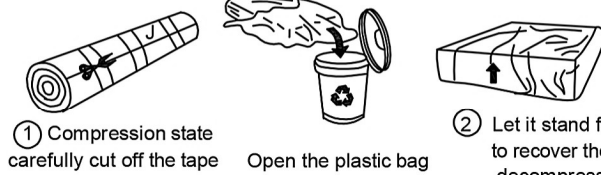
## STEP 5



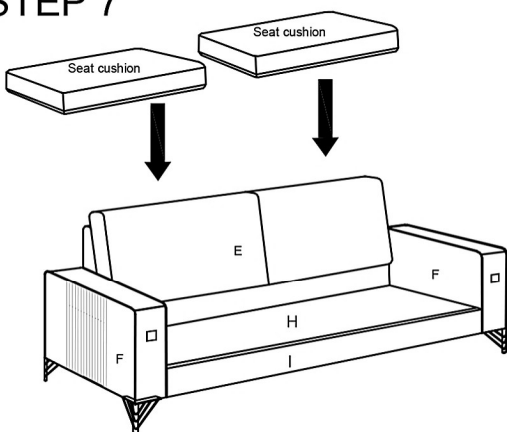
## STEP 6

Compression use of Seat cushion.

How to tidy sofa seat cushions ?



## STEP 7



## STEP 8

