

# Assembly Instruction

MD3300

## SAFETY PRECAUTIONS:

1. TURN OFF ELECTRICAL POWER BEFORE STARTING INSTALLATION OF LIGHT FIXTURE, DO NOT REMOVE INSULATION FROM FIXTURE
2. THIS PRODUCT MUST BE INSTALLED IN ACCORDANCE WITH THE APPLICABLE INSTALLATION CODE BY A PERSON FAMILIAR WITH THE CONSTRUCTION AND OPERATION OF THE PRODUCT AND THE HAZARDS INVOLVED
3. CAUTION-RISK OF FIRE. CONSULT A QUALIFIED ELECTRICIAN TO ENSURE CORRECT BRANCH CIRCUIT CONDUCTOR.

NOTE: Product May Not Look Exactly As Shown In Figures.



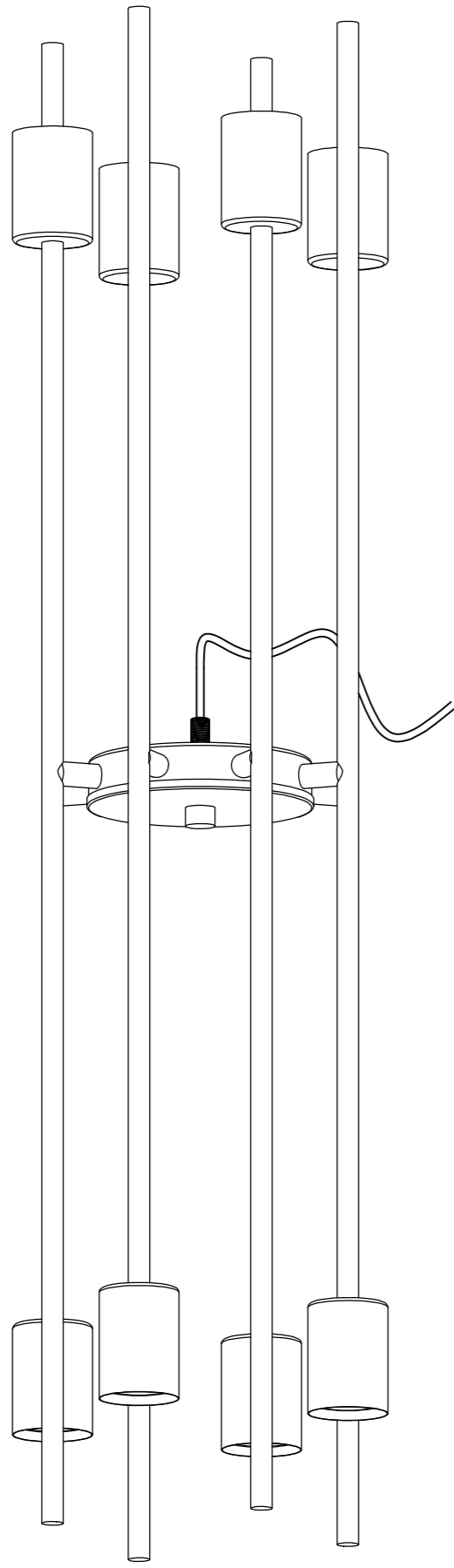
"INSTRUCTIONS PERTAINING TO RISK OF FIRE OR INJURY TO PERSONS"

"READ ALL INSTRUCTIONS"

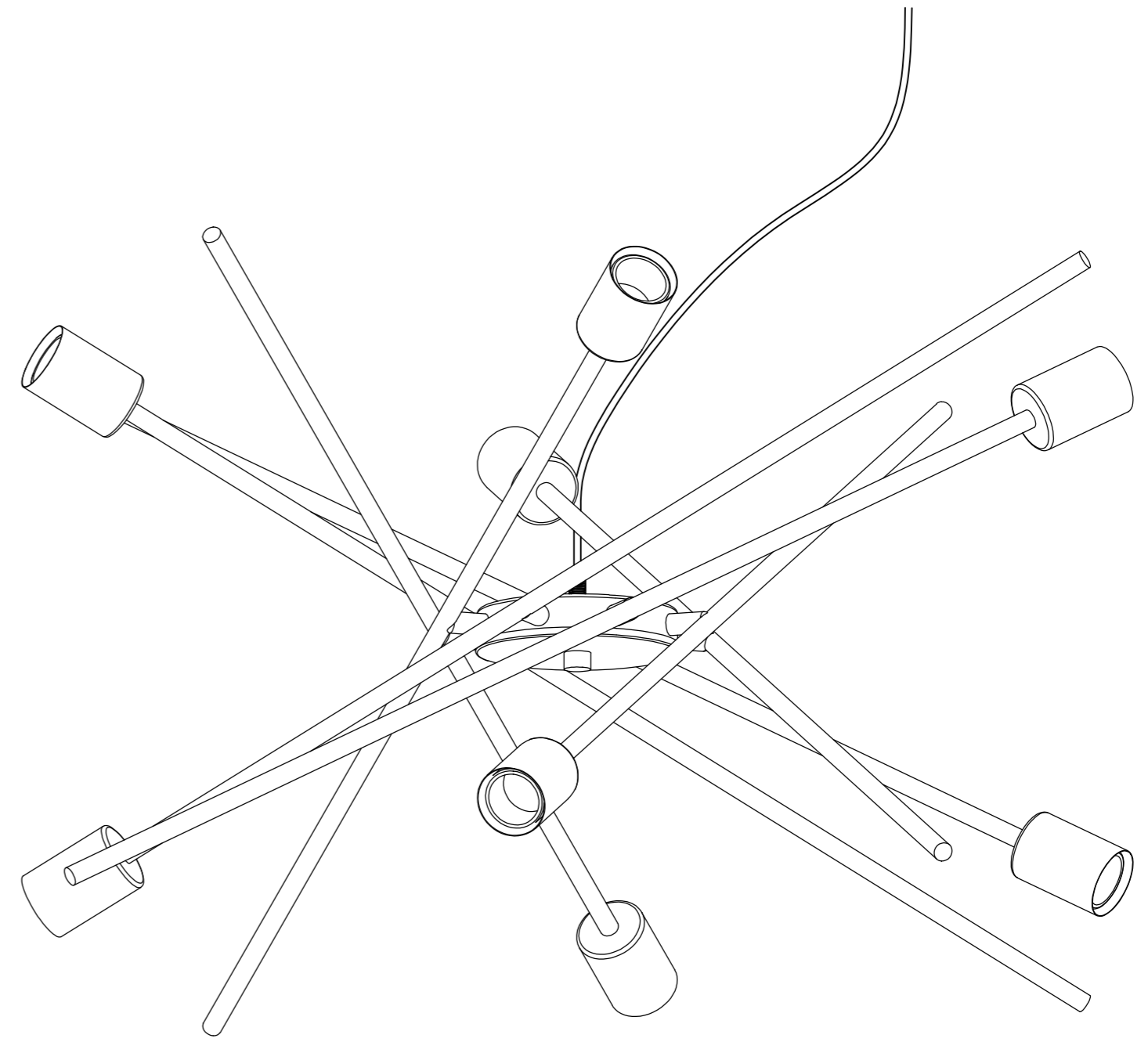
"IMPORTANT SAFETY INSTRUCTIONS"

"SAVE THESE INSTRUCTIONS"

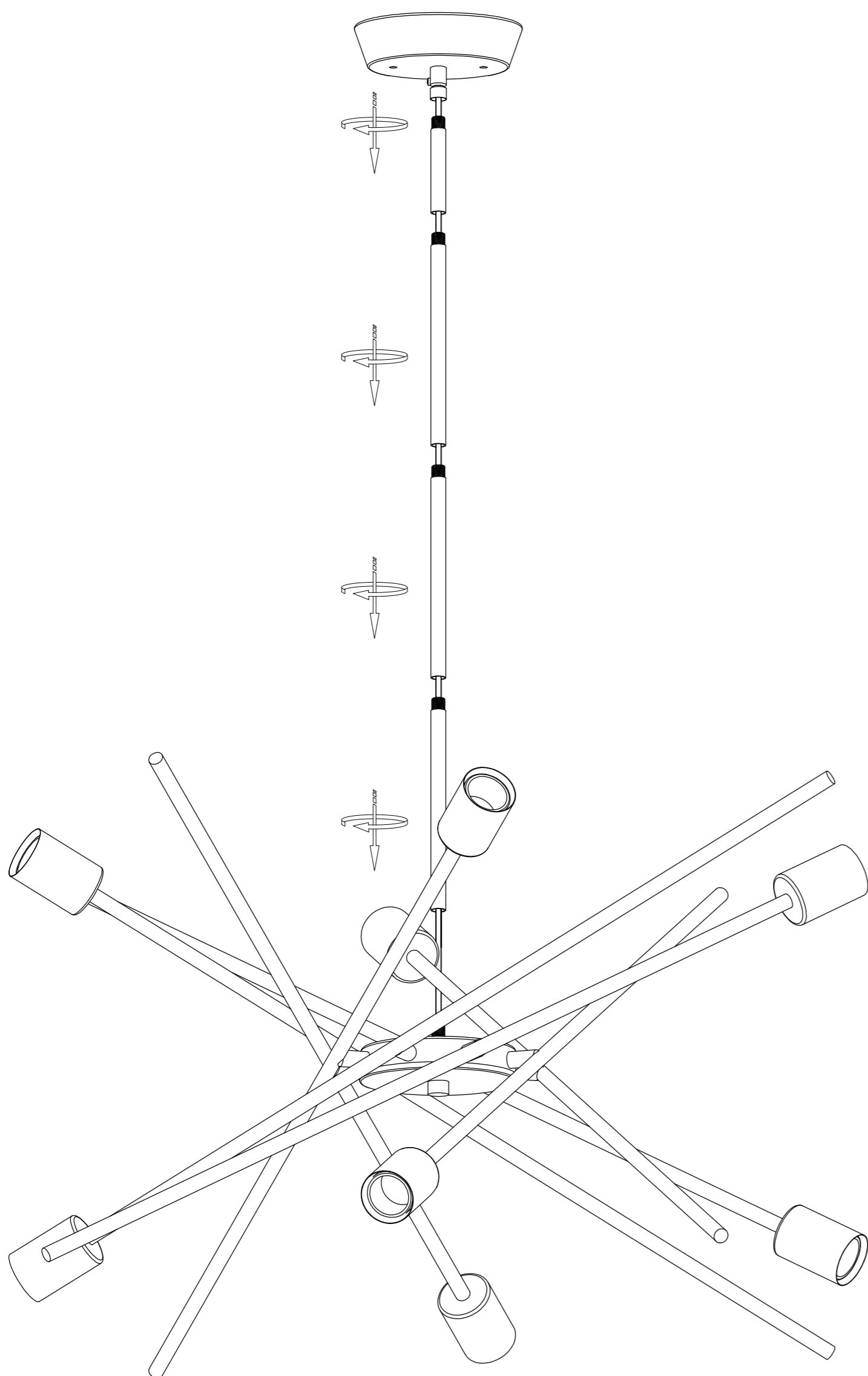
1



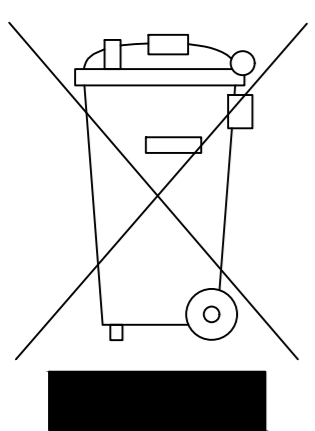
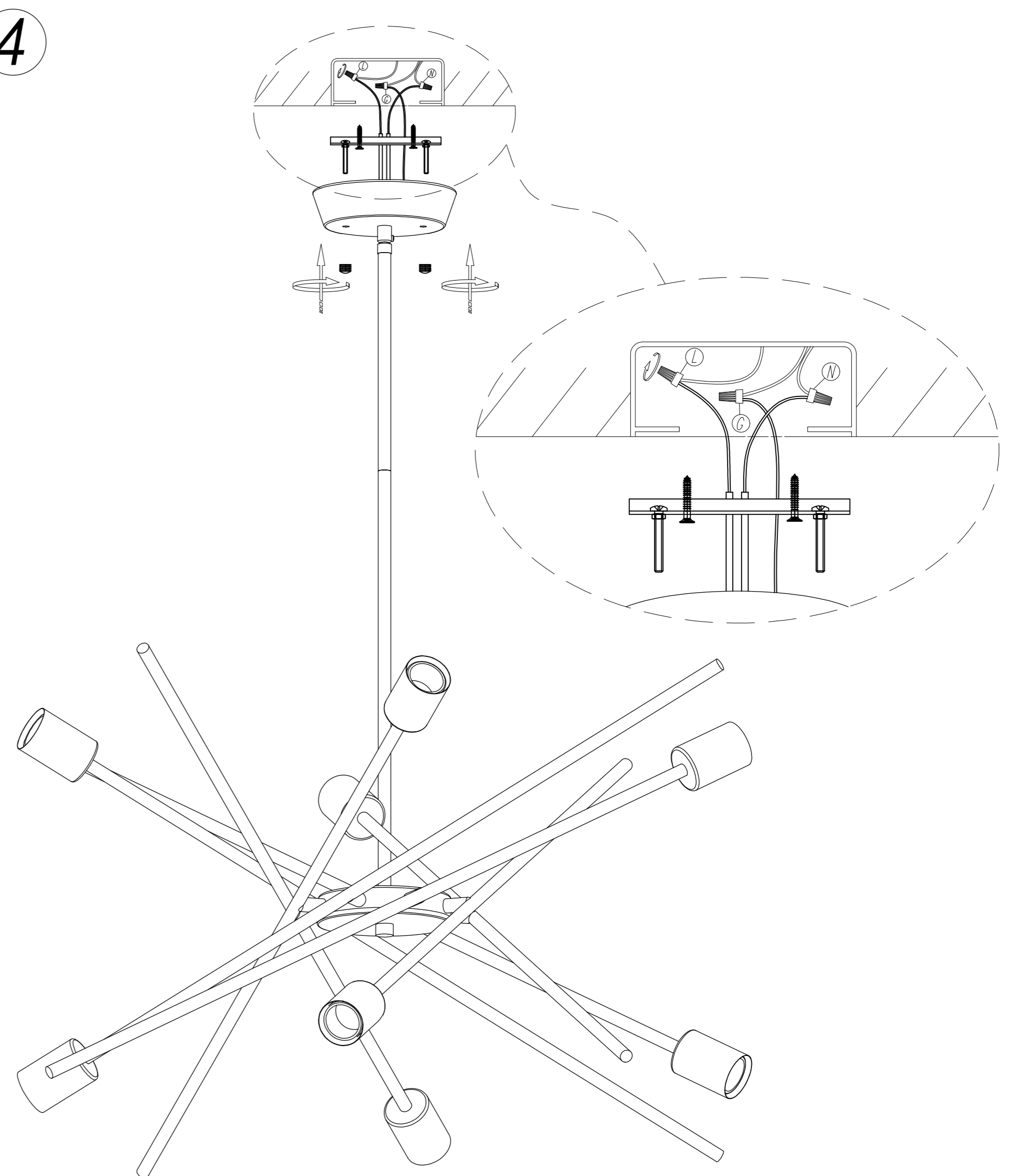
2



3



4



This lighting chain contains recyclable materials. Do not dispose this product as unsorted municipal waste. Please contact your local municipality for the nearest collection point.