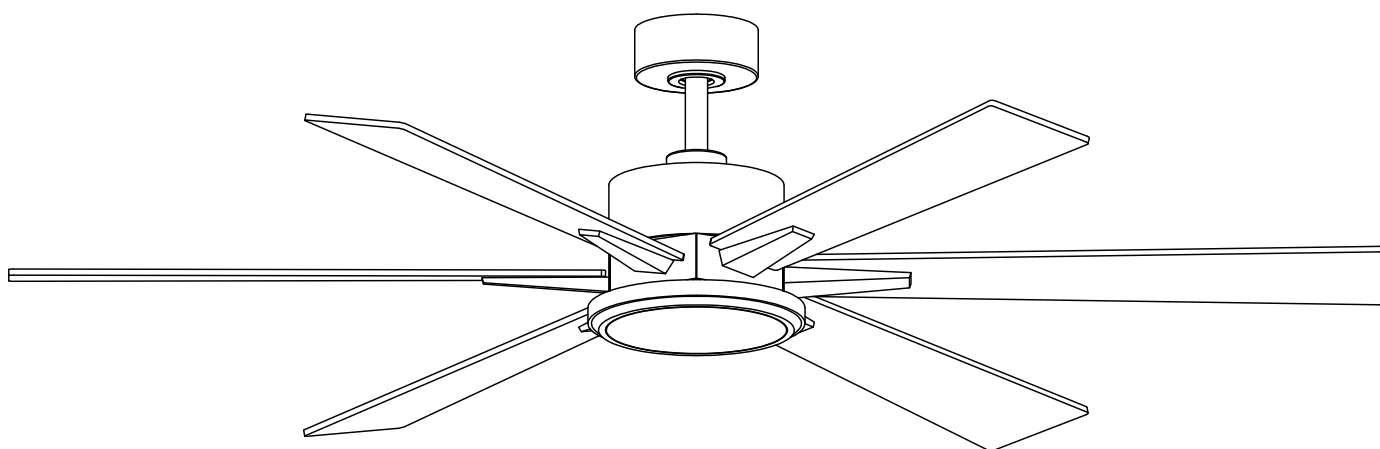




Parrot Uncle

F8306



English / Español / Français

www.parrotuncle.com



WARNING: SHUT POWER OFF AT FUSE OR CIRCUIT BREAKER

Sicherheit information

1. To reduce the risk of an electrical blow, electricity on the protective switch or the safety box went out before starting.
2. All wiring must correspond to the NASI/NFPA 70-1999 National Electric Code and local electrical regulations. The electrical installation must be carried out by a qualified and approved electrician.
3. The connection box and support construction must be assembled safely and 35 pounds (15.9 kilos) must be able to transport reliably. Use only output boxes listed with labeling

"Accepted for fans with a weight of £ 35 (15.9 kilos) or less."

4. The fan must be installed with a minimum distance of 2.1 m (7 feet) from the posterior edge of the wings to the floor.
5. Do not operate the reverse switch if the fan wings are moving. You have to turn off the fan and stop the wings before reverse the direction of the wing.
6. Do not place objects on the road to wings.
7. To avoid lesions or damage to the fan and other objects, be careful if you work on the fan or clean it.
8. Electrical diagrams only serve as a reference. The lighting rates that are not delivered with the fan must be listed and marked with the valve model that will be installed for use. The switches must be general use switches UL. Take into account the instructions for the appropriate installation included in the lighting rates and the switches.
9. After the electrical connections have been made, the size staircase must be turned up and carefully push to the plug box. The cables must be distributed in such a way that the ground connected driver and the device head are next to the socket.
10. All fixing screws must be verified before installation and, if necessary, followed.



WARNING: To reduce the risk of injury, knife supports (also known as flanges) cannot be folded during installation or after installation. Do not put any object on the path of wings.



WARNING: Remove rubber motor attacks at the bottom of the fan before mounting the wings or try the engine.



WARNING: To avoid the risk of a fire or an electrical blow, this fan should not be used with a semiconductor speed controller.



WARNING: To avoid a possible electric shock, turn off the current in the main security box before wiring. If you feel that you do not have enough knowledge or experience in electrical wiring, communicate with a license electrician.



WARNING: Electrical diagrams only serve as a reference. The optional use of an lighting rate must be on the list and marked with this fan for use.



WARNING: To reduce the risk of fires, electrical discharges or injuries, assemble the device in a socket that with the inscription accepted for fans with a weight of £ 35) or less. It is marked and use the screws supplied with the plug.

TECHNICAL INFORMATION

SKU	Nominal voltage	Nominal output (motor)	light
F8306	120V AC	80W	1 *24W LED included



F8306

Installation & Operating Instructions for the
Parrot uncle Owner's Installation Manual

WARNING: SHUT POWER OFF AT FUSE OR CIRCUIT BREAKER

Hardware package (1 set)

Balanced parts package(1PCS)

REMOTE CONTROL(1PCS)

Slide-on mounting bracket

Canopy

4" Ball / downrod assembly
10"Ball/downrod assembly(standby)

Coupling cover

"R" Locking Pin Hanging Pin

Fan-motor assembly

Blade (6PCS)

Blade arm(6PCS)

Light kit

LED assembly

Glass shade

Pls check whether above accessories are completed or not?Yes,and install.



Parrot Uncle

F8306

Installation & Operating Instructions for the Parrot Uncle Owner's Installation Manual

WARNING: SHUT POWER OFF AT FUSE OR CIRCUIT BREAKER

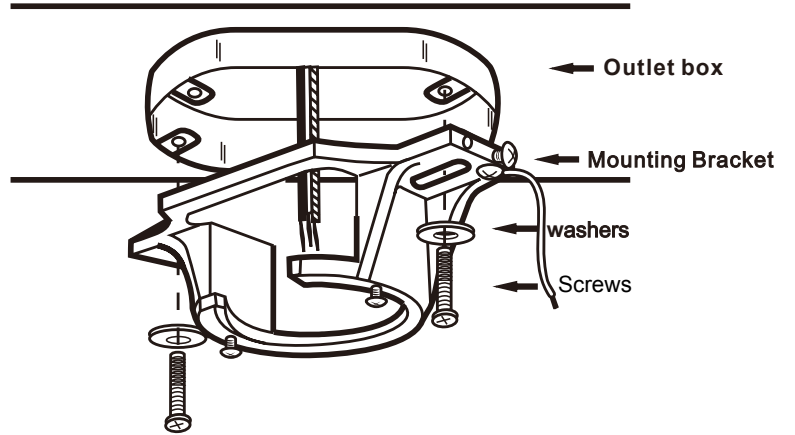
1 Attaching the fan to the electrical box



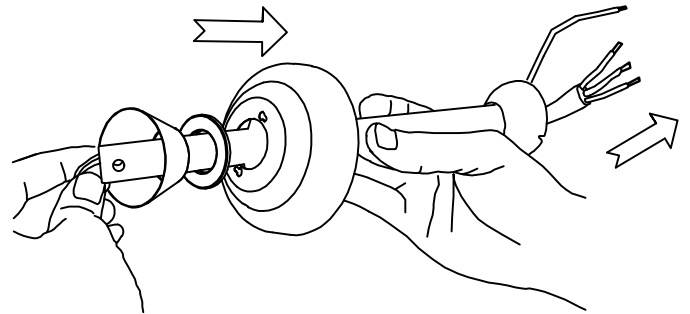
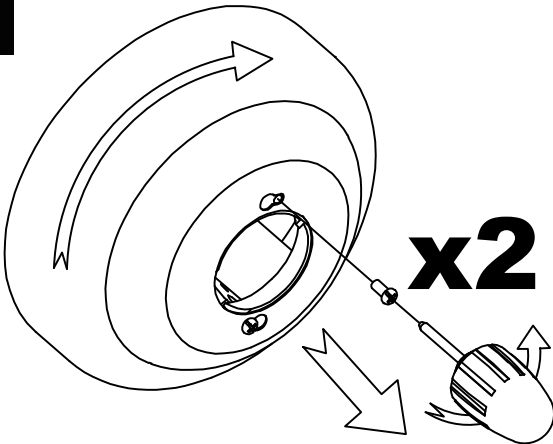
WARNING: To reduce the risk of fire, electric shock or personal injury, mount to an outlet box marked "Acceptable for fan support of 35 lbs. (15.9kg) or less," and use the screws provided with the outlet box.



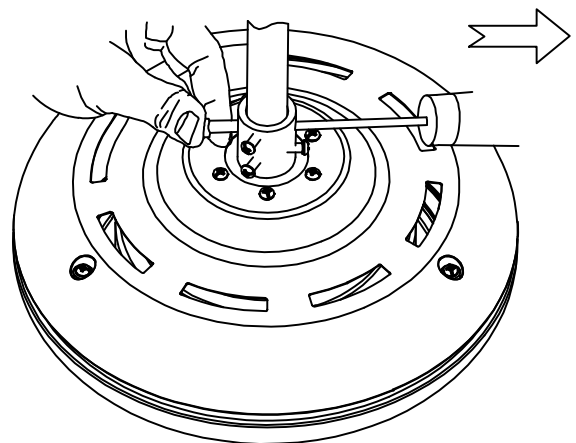
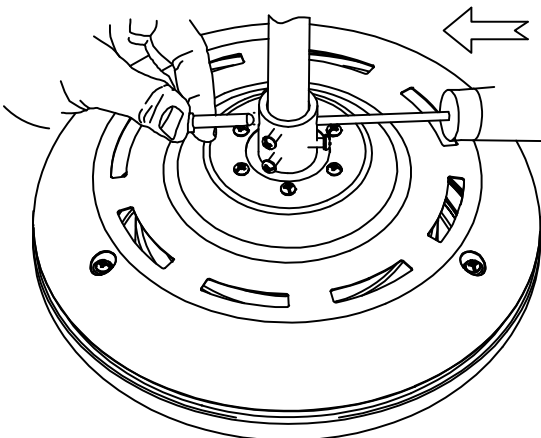
NOTE: The mounting bracket(A) is designed to slide into place on an outlet box with the outlet box screws(LL).



2



3





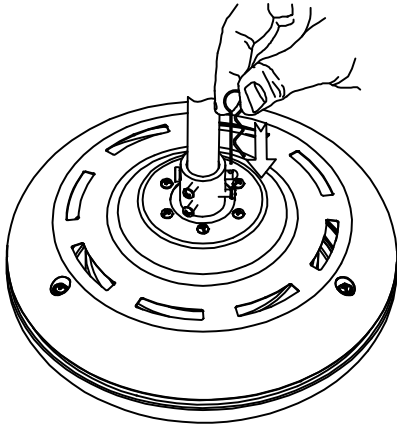
Parrot Uncle

F8306

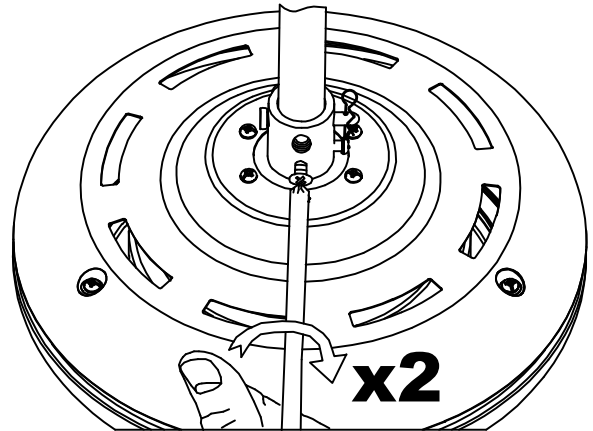
Installation & Operating Instructions for the
Parrot Uncle Owner's Installation Manual

WARNING: SHUT POWER OFF AT FUSE OR CIRCUIT BREAKER

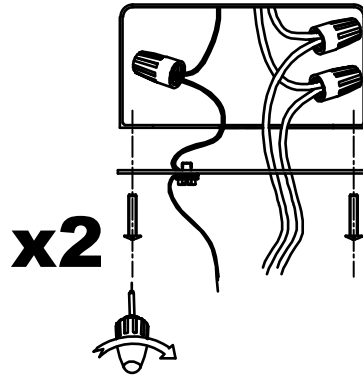
4



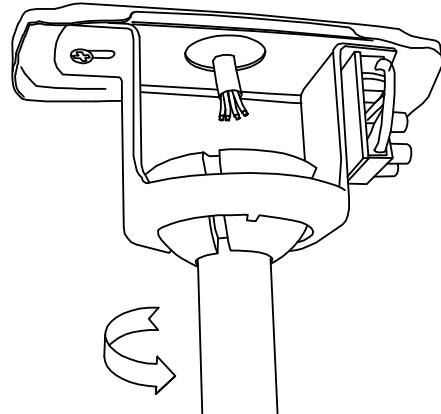
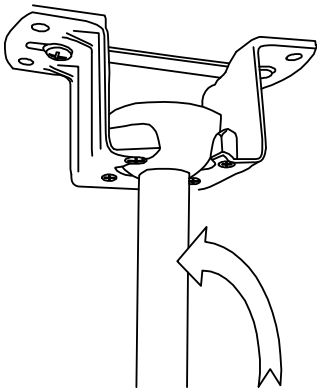
5



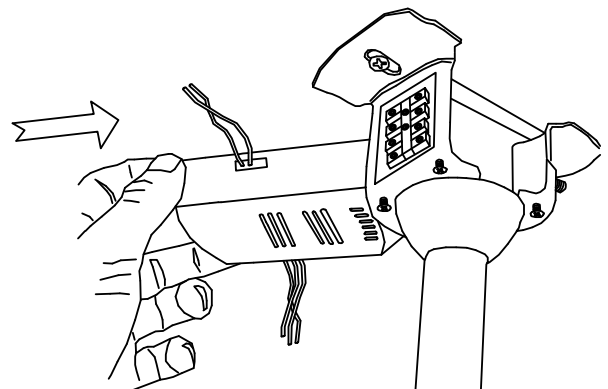
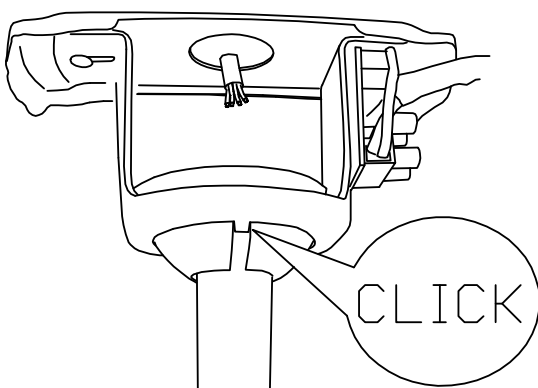
6



7



8





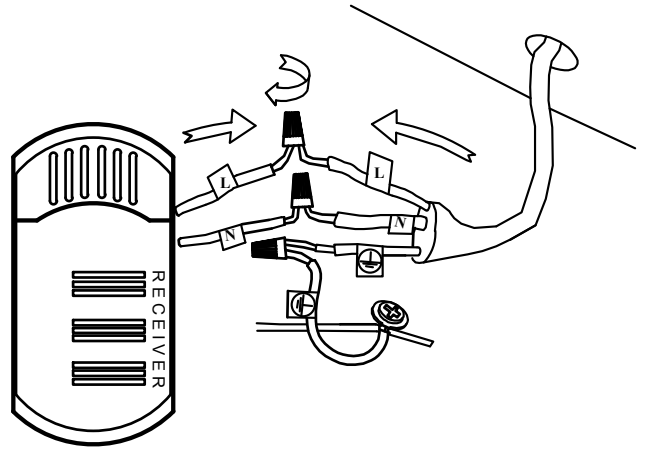
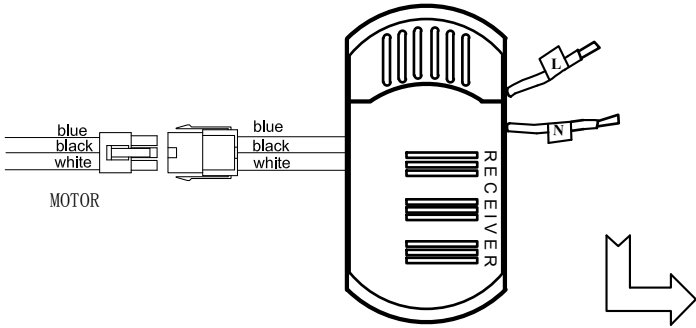
Parrot Uncle

F8306

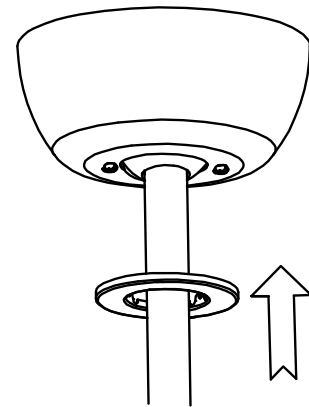
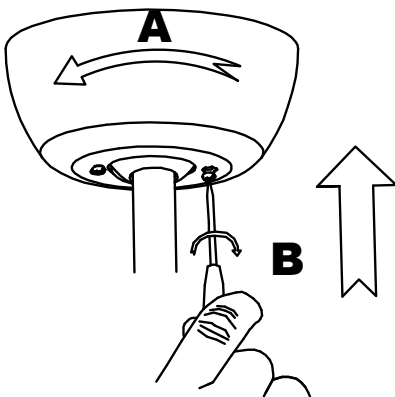
Installation & Operating Instructions for the
Parrot Uncle Owner's Installation Manual

WARNING: SHUT POWER OFF AT FUSE OR CIRCUIT BREAKER

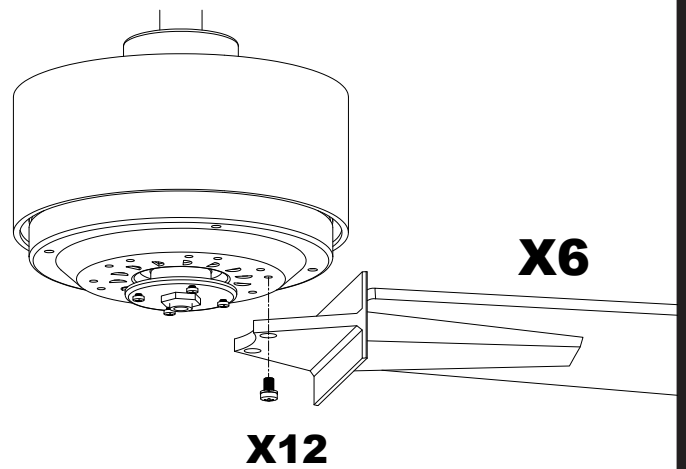
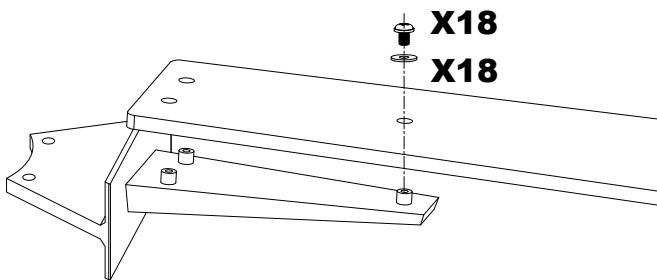
9



10



11





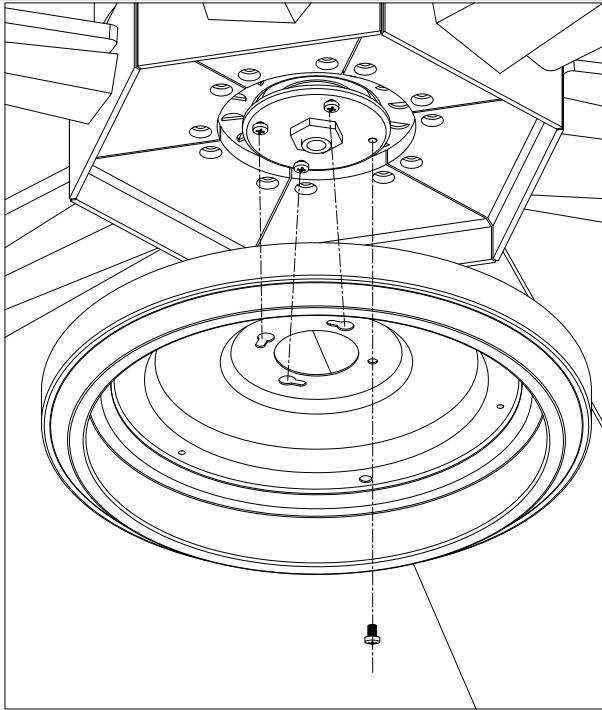
Parrot Uncle

F8306

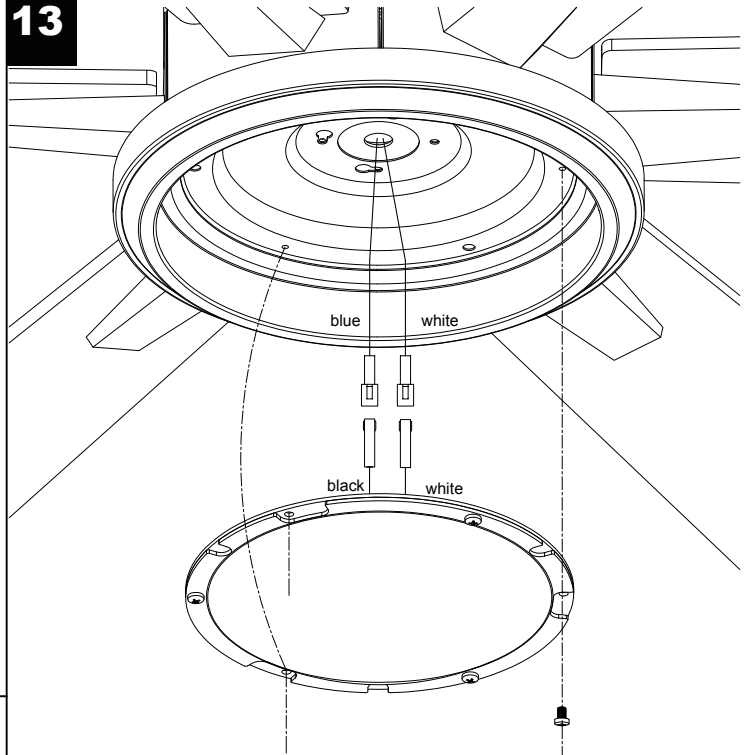
Installation & Operating Instructions for the Parrot Uncle Owner's Installation Manual

WARNING: SHUT POWER OFF AT FUSE OR CIRCUIT BREAKER

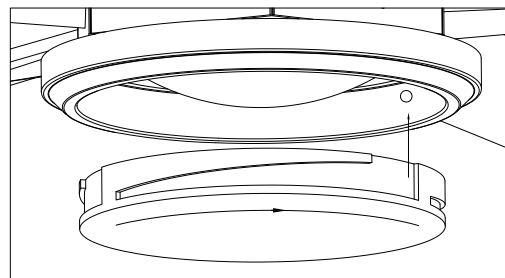
12



13



14

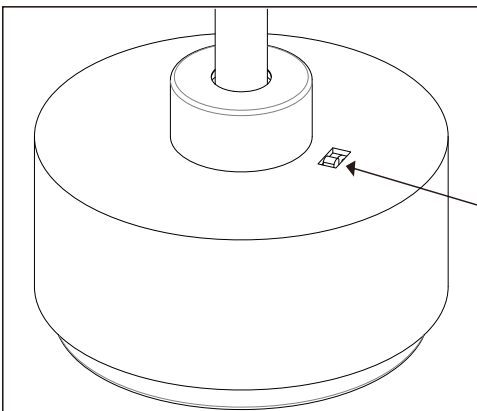


Firstly remove 3 screws from the light kit plate, insert the 2 light wires, and lock the 3 screws back.

OPERATING YOUR FAN

The appropriate speed settings for warm or cool weather depends on factors such as the room size, ceiling height, and number of fans.

The reverse switch controls the direction of the blades.



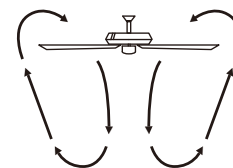
Reverse switch



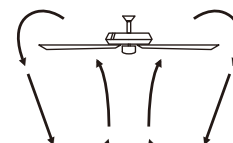
NOTE: Wait for the fan to stop before reversing the direction of the blade rotation

A. warm weather-(Forward) A Downward airflow creates a cooling effect. This allows you to set your air conditioner on a higher setting without affecting your comfort.

B. Cool weather-(Reverse) An upward airflow moves warm air off the ceiling. This allows Reverse you to set heating unit on a lower setting without affecting your comfort.



A. Warm Weather (SUMMER TIME)



B. Cool Weather (WINTER TIME)

Remote controller

INSTRUCTION OF INSTALLATION AND OPERATION

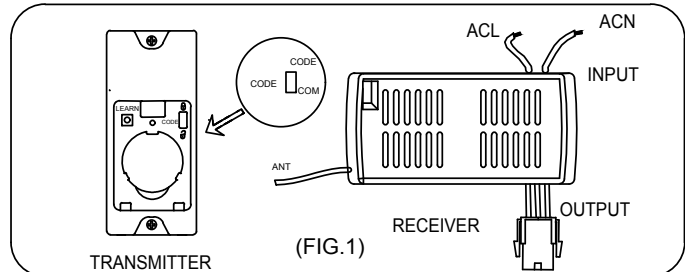
1. INSTALLING RECEIVER IN CEILING FAN

A. Safety precautions

1. WARNING: HIGH VOLTAGE! Disconnect power by removing fuse or switching off circuit breaker.
2. Do not use with solid state fans
3. Electrical wire must meet all local and national electrical code requirements.
4. Supply for fan must be 110/120 volt, 60Hz, 3.5A
5. Maximum fan motor amps: 1.0.
6. Maximum light watts: 180 incandescent or ballast and LED.
7. To Reduce the risk of shock, this fan must be installed with a wall switch/control.

B. Installing receiver in fan

1. Remove power from the circuit.
2. Remove ceiling fan canopy from the mounting bracket.
3. Disconnect existing wiring between ceiling fan and Supply in electrical junction box.
4. Make connections as follows, using the wire nuts supplied.

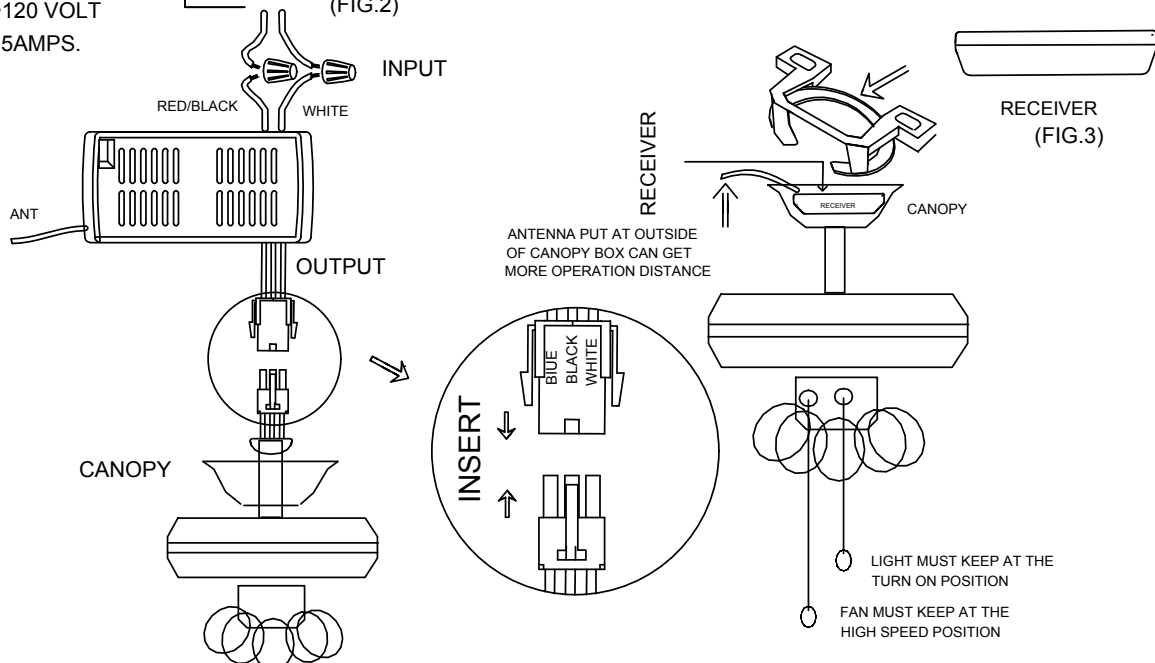


CAUTION: Ceiling Angle Shall Not Exceed 30 Degrees,
 For Mounting Controller. Models GA030

CONNECT TO

Red/Black receiver wire(AC IN L).....Red/Black supply wire
 White receiver wire(AC IN N).....White supply wire
 White receiver wire(TO MOTOR N)...White fan wire
 Black receiver wire(TO MOTOR L)...Black fan wire
 Blue receiver wire(FOR LIGHT)...Blue light wire

FROM POWER SOURCE AC 110~120 VOLT 60Hz 3.5AMPS. Use wire connecting nuts supplied with the fan. (FIG.2)



If other fans or supply wires are different color, have this unit installed by qualified licensed electrician.

- a. Push all connected wires up into junction box.
- b. Lay the brown antenna wire on top of the receiver, and put the receiver into the mounting bracket.
- c. Reinstall the canopy on the mounting bracket.
- d. Restore power.
- e. Install 3.0 volt battery. (To prevent damage to transmitter, remove the battery if not used for a long time).
- f. Store the transmitter away from excessive heat or humidity.
- g. This remote control unit is equipped with roll code combinations. In order to prevent possible interference from or to other remote units such as garage door openers, car alarm or security system. If you find that your fan and light kit go on and off without using your remote control, simply change the code combination in your transmitter and receiver

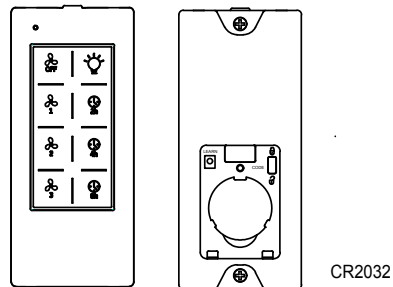


WARNING: SHUT POWER OFF AT FUSE OR CIRCUIT BREAKER

2. OPERATING TRANSMITTER

Operating the buttons on the panel of the transmitter.

- 3 key -for fan high speed.
- 2 key-for fan medium speed.
- 1 key-for fan low speed.
- OFF key-for fan off.
- LIGHT key-for light on and off.
- 2hr , 4hr , 8hr button to set the FAN sleep timer

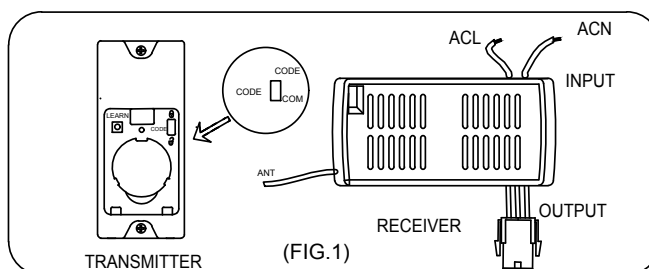


MODEL:GA030
OPERATION DISTANCE 20 FEET

YOUR REMOTE NOW HAS FULL CONTROL OF THE FAN AND LIGHT.

3.TROUBLE SHOOTING GUIDE

- a.Power to receiver?
- b.Receiver wired correctly?
- c.Fan manual speed control in highest position?
- d.Light kit switch turned on?
- e.Good battery in the transmitter?



If there are two or more ceiling fans installed in the same house, in order to prevent your ceiling fans from being affected by the remote control of the adjacent ceiling fans, first turn the switch in each remote control transmitter to the CODE(UP) position (see the schematic diagram FIG1) Remarks: The standard state of the transmitter is in the down code COM.

(Power-off means you need to use a wall switch to shut down the power of the ceiling fan, if you do not have a wall switch, please power off the whole room from the air circuit-breaker for each room)

After installing the remote control receiver on the ceiling fan

1: Turn on the power of the 1# ceiling fan receiver (the power of the 2# receiver is kept in a power-off state), within 30 seconds after the fan power is turned on, press the LEARN button corresponding to the 1# transmitter, then The receiver will learn the transmitter code. When the transmitter code is learned successfully, the light of the ceiling fans will flash twice, and then it can be used normally.

2: Turn on the power of the 2# ceiling fan receiver (the power of the 1# receiver is kept in a power-off state), within 30 seconds after the fan power is turned on, press the LEARN button corresponding to the 2# transmitter, then The receiver will learn the transmitter code. When the transmitter code is learned successfully, the light of the ceiling fans will flash twice, and then it can be used normally.

And so on, only one ceiling fan is powered on each time the corresponding transmitter learns.

After the 1# and 2# remote control transmitters have been successfully learned, turn on the power of the two ceiling fans. At this time, the 1# transmitter and the 2# transmitter can be used separately for one ceiling fan.

FCC Statement:

This device complies with Part 15 of the FCC Rules. Operation is subject to the following two conditions.

This device may not cause harmful interference.

This device must accept any interference received, including interference that may cause undesired operation. Changes or modifications not expressly approved by the party responsible for compliance could void the user's authority to operate the equipment.

NOTE: This equipment has been tested and found to comply with the limits for a Class B digital, pursuant to Part 15 or the FCC Rules. These limits are designed to provide reasonable protection against harmful interference in a residential installation. This equipment generates, uses and can radiate radio frequency energy and, if not installed and used in accordance with the instructions, may casue harmful interference to radio communications,

However, there is no guarantee that interference will not occur in a particular installation. If the equipment does cause harmful interference to radio or television reception, which can be determined by turning the equipment off and on, the user is encouraged to try to correct the interference by one or more of the following measures:

- Reorient or relocate the receiving antenna.
- Increase the separation between the equipment and receiver.
- Connect the equipment into an outlet on a circuit different from that to which the receiver is connected.
- Consult the dealer or an experienced radio/ TV technician for help.

WARNING:

Do NOT install this fan with variable speed wall control or wall-mounted dimmer switch. It will permanently damage the fan's remote control and cause the fan's function to fail.



NO Variable speed wall control



NO Dimmer switch



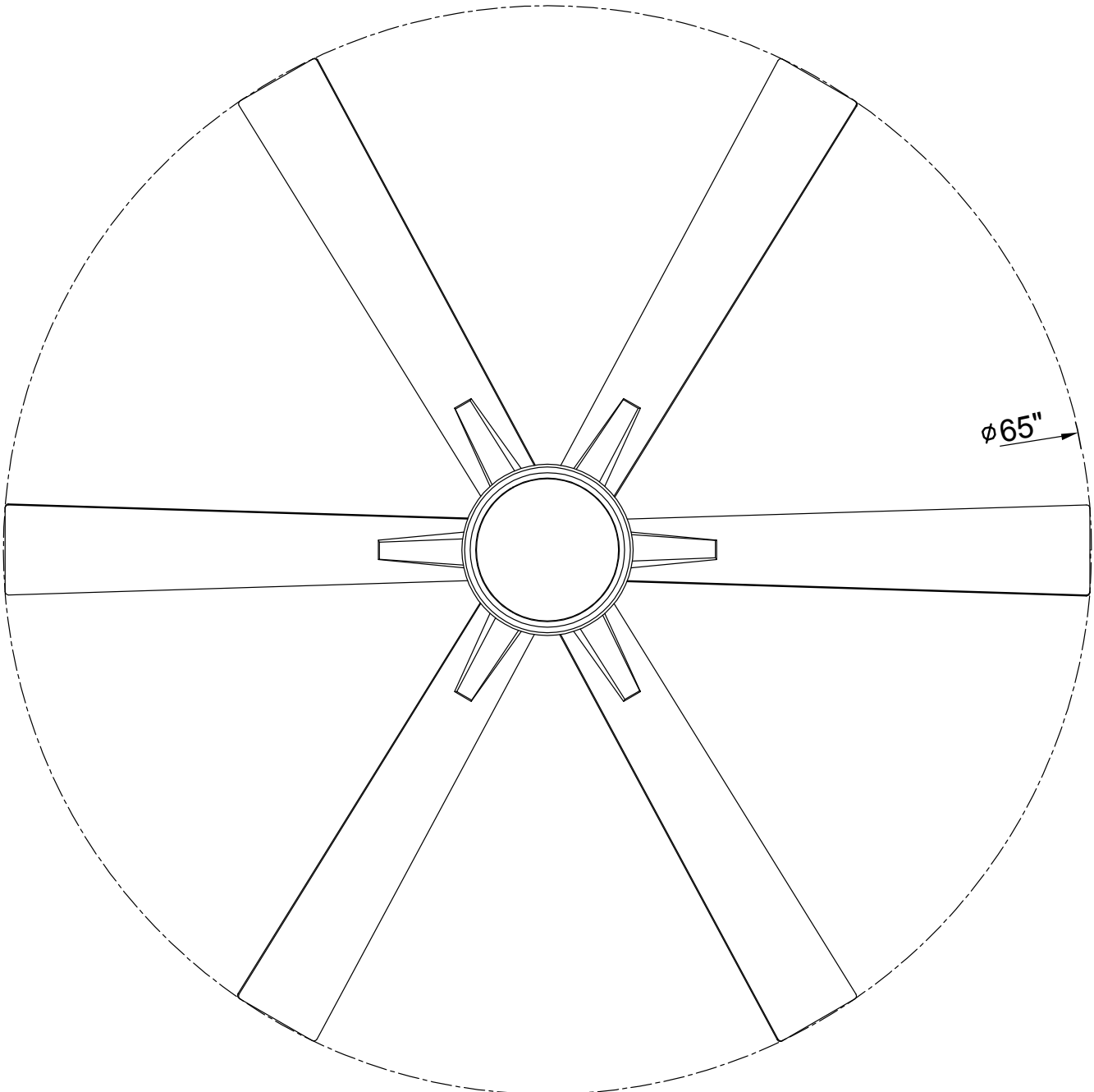
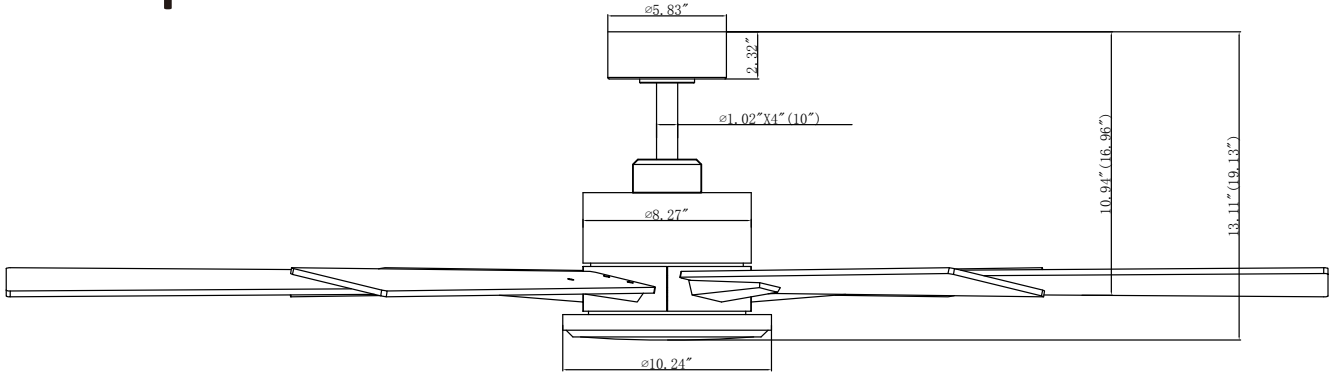
Parrot Uncle

F8306

Installation & Operating Instructions for the
Parrot Uncle Owner's Installation Manual

WARNING: SHUT POWER OFF AT FUSE OR CIRCUIT BREAKER

size of product





WARNING: SHUT POWER OFF AT FUSE OR CIRCUIT BREAKER

AFTER INSTALLATION

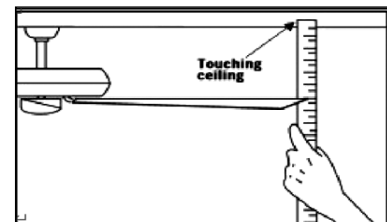
WOBBLE”

The fan blades have been adjusted in the factory to minimize any wobble

NOTE: CEILING FANS TEND TO MOVE DURING OPERATION DUE TO THE FACT THAT THEY ARE MOUNTED ON A RUBBER CROMMET. IF THE FAN WAS MOUNTED RIGIDLY TO THE CEILING, IT WOULD CAUSE EXCESS VIBRATION. MOVEMENT OF A FEW CENTIMETERS IS QUITE ACCEPTABLE AND DOES NOT SUGGEST ANY PROBLEM

**TO REDUCE THE FAN WOBBLE: PLEASE CHECK THAT ALL SCREWS WHICH SECURED THE MOUNTING BRACKET AND DOWNROD ARE SECURE.
BALANCING A WOBBLING CEILING FAN:**

1. Check that all blade and blade arm screws are secure.
2. Most fan wobbling problems are caused when blade levels are unequal. Check this level by selecting a point on the ceiling above the tip of one of the blades. Measure this distance. Rotate the fan until the next blade is positioned for measurement. Repeat for each blade. The distance deviation should be equal within 1/8" (0.32cm).



3. If the blade wobble is still noticeable, interchanging two adjacent (side by side) blades can redistribute the weight

and possibly result in smoother operation. **WARNING: TO REDUCE THE RISK OF PERSONAL INJURY, DO NOT BEND THE BLADE ARM WHILE INSTALLING, BALANCING THE BLADES, OR CLEANING THE FAN. DO NOT INSERT FOREIGN OBJECTS BETWEEN ROTATING FAN BLADES.**

NOISE

When it is quiet (especially at night) you may hear occasional small noises. This is normal. Please allow a 24-hour "breaking-in" period, most noises associated with a new fan disappear during the time.

CARE AND CLEANING


1. Periodic cleaning of your ceiling fan is the only maintenance required. Use a soft brush or lint free cloth to avoid scratching the paint finish. Please make sure to turn off electricity power before you clean your fan
2. Do not use water when cleaning your ceiling fan. It could damage the motor or the blades and create the possibility of an electrical shock.
3. Motor has permanently lubricated ball bearing. No need to oil


NOTE: MAKE SURE THE POWER IS OFF AT THE ELECTRICAL PANEL BOX BEFORE YOU ATTEMPT ANY CLEANING OR REPAIRS.


Información de Sicherheit


1. Para reducir el riesgo de un golpe eléctrico, la electricidad en el interruptor de protección o la caja de seguridad se apagó antes de comenzar.
2. Todo el cableado debe corresponder al código eléctrico nacional NASI/NFPA 70-1999 y a las regulaciones eléctricas locales. La instalación eléctrica debe ser realizada por un electricista calificado y aprobado.
3. El cuadro de conexión y la construcción de soporte deben ensamblarse de forma segura y 35 libras (15.9 kilos) deben poder transportar de manera confiable. Use solo cajas de salida enumeradas con el etiquetado


"Aceptado para los fanáticos con un peso de £ 35 (15.9 kilos) o menos".
4. El ventilador debe instalarse con una distancia mínima de 2.1 m (7 pies) desde el borde posterior de las alas hasta el piso.
5. No opere el interruptor inverso si las alas del ventilador están en movimiento. Tienes que apagar el ventilador y detener las alas antes de revertir la dirección del ala.
6. No coloque objetos en el camino de las alas.
7. Para evitar lesiones o daños al ventilador y otros objetos, tenga cuidado si trabaja en el ventilador o lo limpia.
8. Los diagramas eléctricos solo sirven como referencia. Las tasas de iluminación que no se entregan con el ventilador deben estar enumeradas y marcadas con el modelo de válvula que se instalarán para su uso. Los interruptores deben ser interruptores de uso general UL. Tenga en cuenta las instrucciones para la instalación adecuada que se incluyeron en las tasas de iluminación y los interruptores.
9. Después de que se hayan realizado las conexiones eléctricas, la escalera del tamaño se debe girar hacia arriba y empujar cuidadosamente a la caja de enchufe. Los cables deben distribuirse de tal manera que el conductor conectado a tierra y el cabezal del dispositivo estén a un lado del zócalo.
10. Todos los tornillos de fijación deben verificarse antes de la instalación y, si es necesario, seguido.


 **ADVERTENCIA:** Para reducir el riesgo de lesiones, los soportes de cuchillo (también conocidos como bridas) no pueden doblarse durante la instalación o después de la instalación. No ponga ningún objeto en el camino de las alas.

 **ADVERTENCIA:** Retire los ataques del motor de goma en la parte inferior del ventilador antes de montar las alas o probar el motor.

 **ADVERTENCIA:** para evitar el riesgo de un incendio o un golpe eléctrico, este ventilador no debe usarse con un controlador de velocidad semiconductor.

 **ADVERTENCIA:** Para evitar una posible descarga eléctrica, apague la corriente en la caja de seguridad principal antes del cableado. Si siente que no tiene suficiente conocimiento o experiencia en cableado eléctrico, comuníquese con un electricista con licencia.

 **ADVERTENCIA:** los diagramas eléctricos solo sirven como referencia. El uso opcional de una tasa de iluminación debe estar en la lista y marcado con este ventilador para su uso.

 **ADVERTENCIA:** Para reducir el riesgo de incendios, descargas eléctricas o lesiones, ensamble el dispositivo en un zócalo que con la inscripción "aceptada para los ventiladores con un peso de £ 35) o menos". está marcado y use los tornillos suministrados con el enchufe.

INFORMACIÓN TÉCNICA

SKU	voltaje nominal	Salida nominal (motor)	Iluminación
F8306	120V AC	80W	1*24W LED incluido

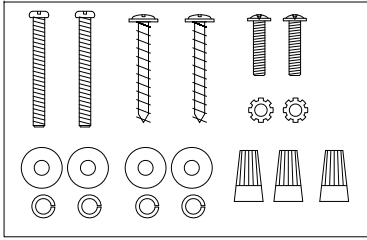


Parrot Uncle

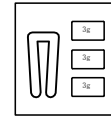
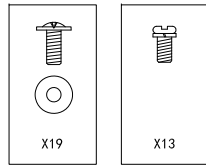
F8306

Instrucciones de instalación y operación para la instalación del propietario de Parrotuncle, manual

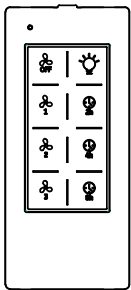
ADVERTENCIA: Apague la energía en el fusible o el interruptor de circuito



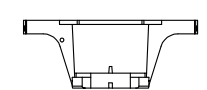
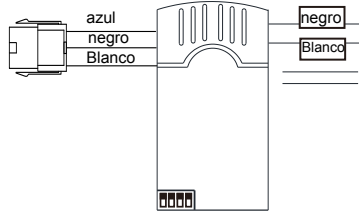
Paquete de herrajes (1 juego)



Paquete de equilibradas (1pza)



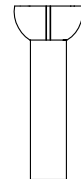
MANDO A DISTANCIA (1pza)



Soporte de montaje deslizante



Toldo



Conjunto bola/varilla 4"
Conjunto bola/varilla 10" (en espera)

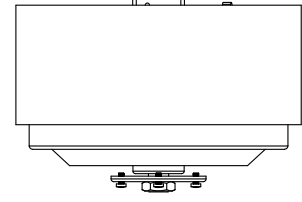


Cubierta de acoplamiento

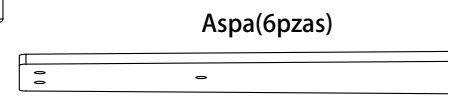
Pasador de bloqueo "R"



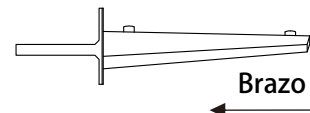
Eje colgante



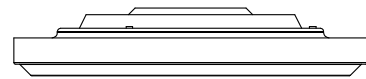
Conjunto motor-ventilador



Aspa(6pz)



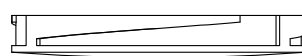
Brazo de pala(6pz)



Kit de luz



Conjunto LED



Pantalla de vidrio

Compruebe si los accesorios anteriores están completos o no. Sí, e instálelos.



Parrot Uncle

F8306

Instrucciones de instalación y operación para la instalación del propietario de Parrotuncle, manual

ADVERTENCIA: Apague la energía en el fusible o el interruptor de circuito

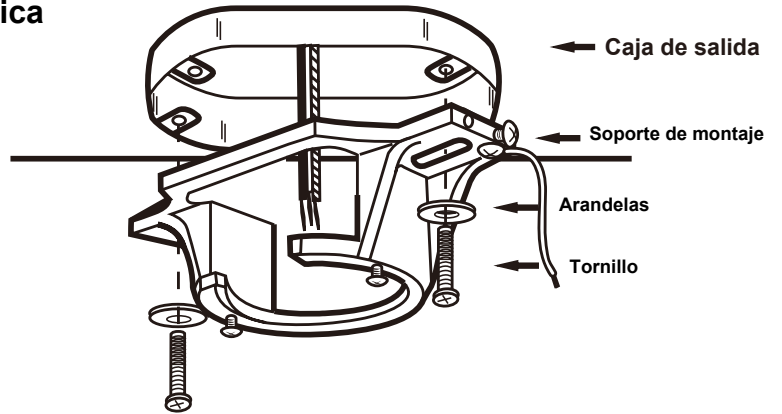
1 Fijación del ventilador a la caja eléctrica



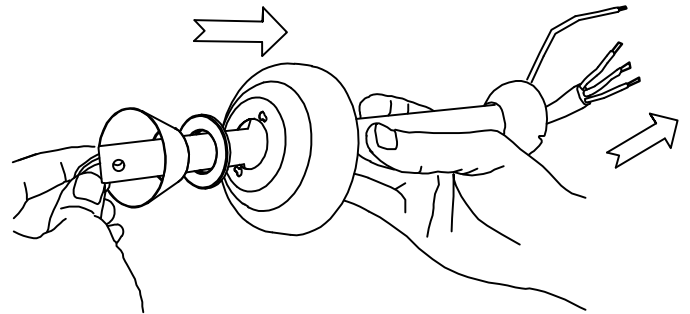
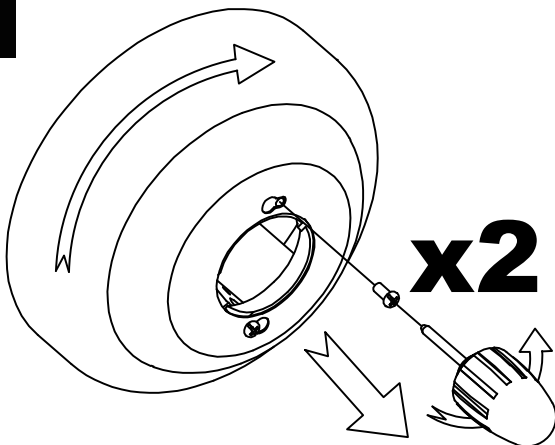
ADVERTENCIA: Para reducir el riesgo de incendio, descarga eléctrica o lesiones personales, monte en una caja de salida marcada como "Aceptable para soporte de ventilador de 35 libras (15,9 kg) o menos" y utilice los tornillos suministrados con la caja de salida.



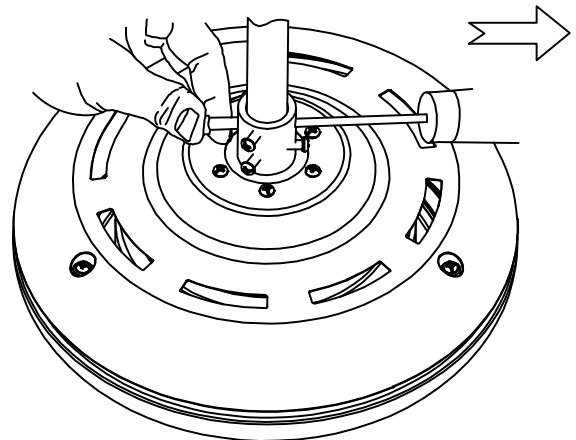
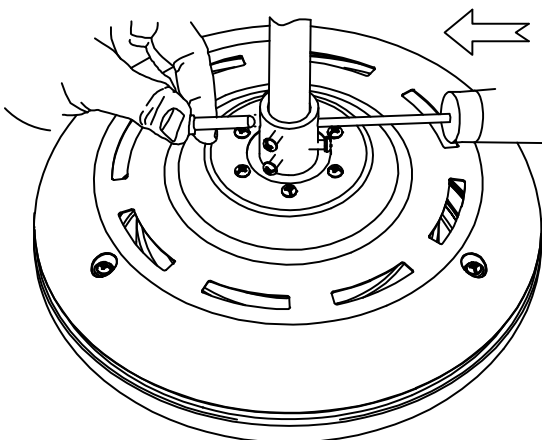
NOTA: El soporte de montaje(A) está diseñado para deslizarse en su lugar en una caja de salida con los tornillos de la caja de salida(LL).



2



3





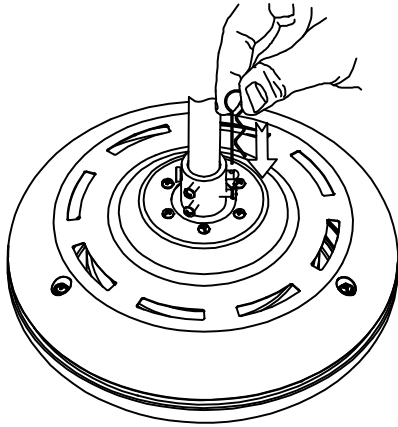
Parrot Uncle

F8306

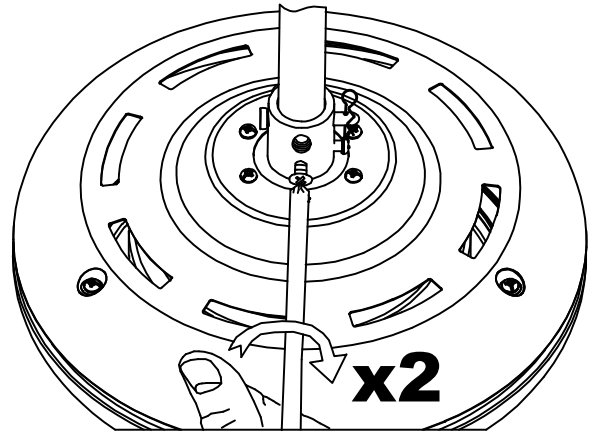
Instrucciones de instalación y operación para la instalación del propietario de Parrotuncle, manual

ADVERTENCIA: Apague la energía en el fusible o el interruptor de circuito

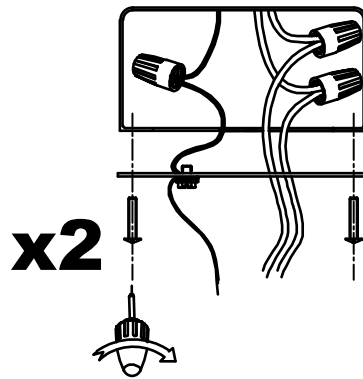
4



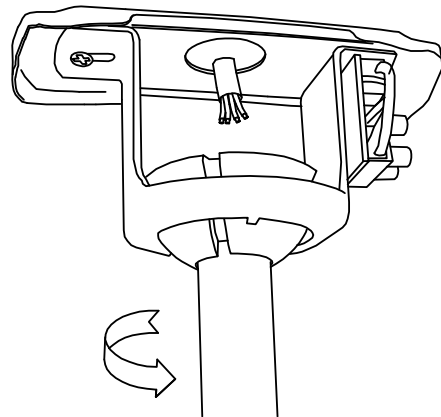
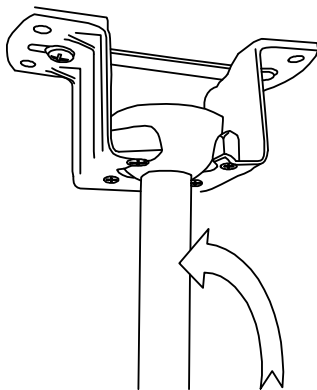
5



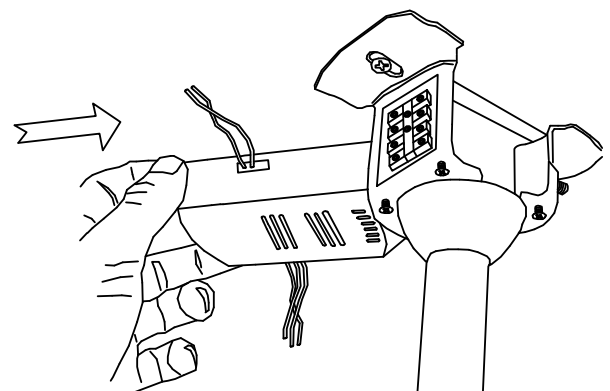
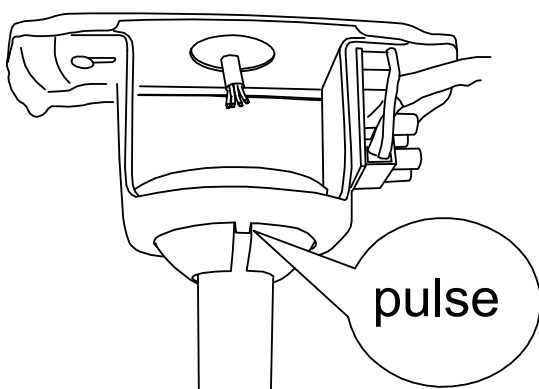
6



7



8





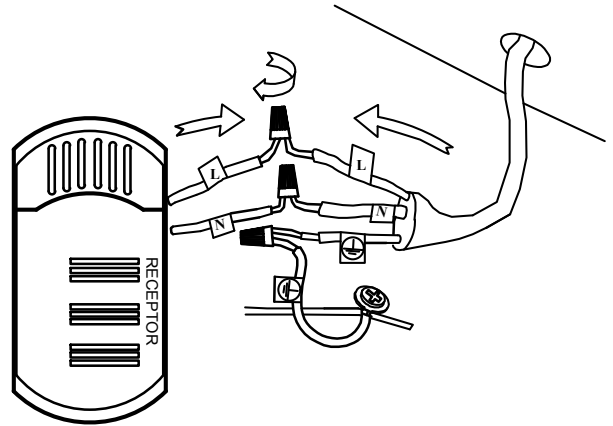
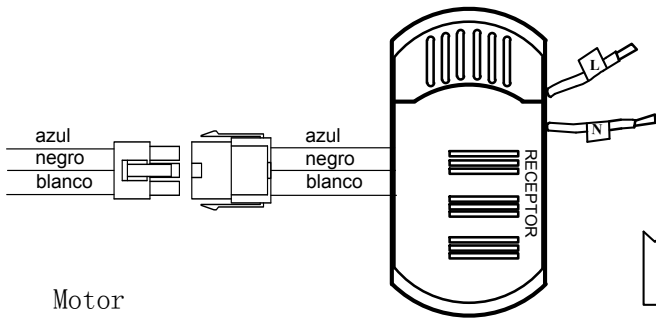
Parrot Uncle

F8306

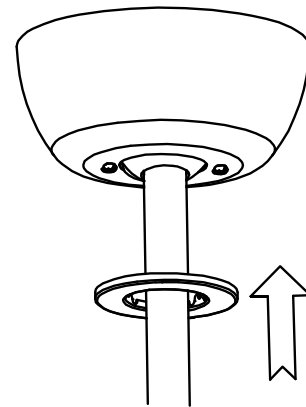
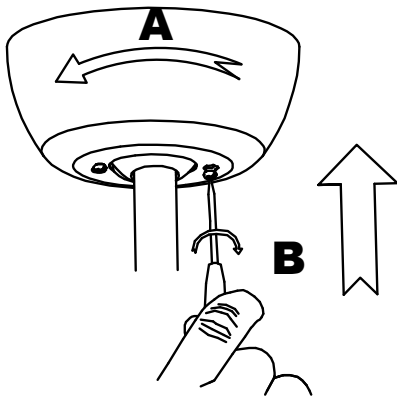
Instrucciones de instalación y operación para la instalación del propietario de Parrotuncle, manual

ADVERTENCIA: Apague la energía en el fusible o el interruptor de circuito

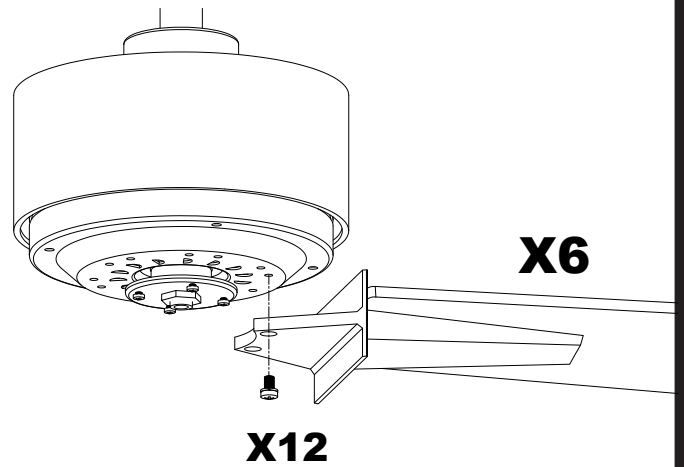
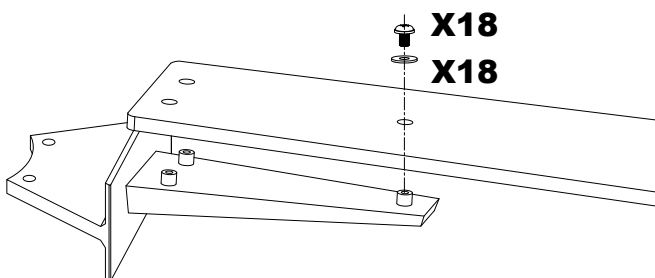
9



10



11





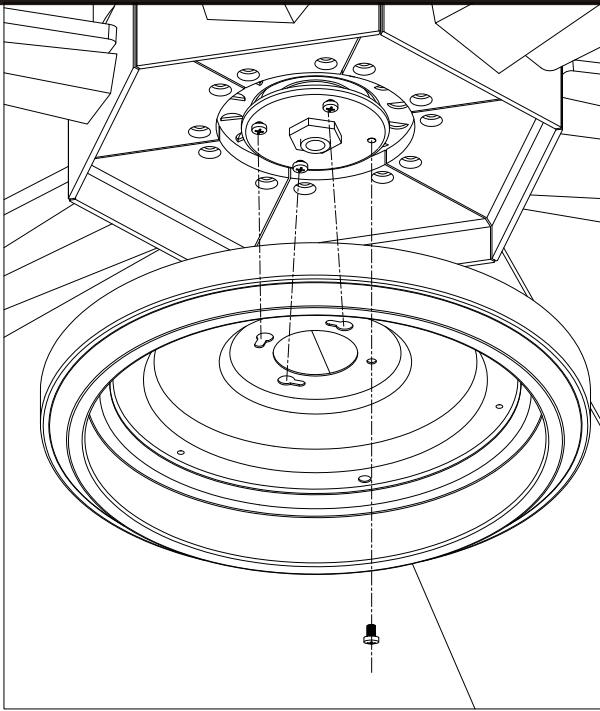
Parrot Uncle

F8306

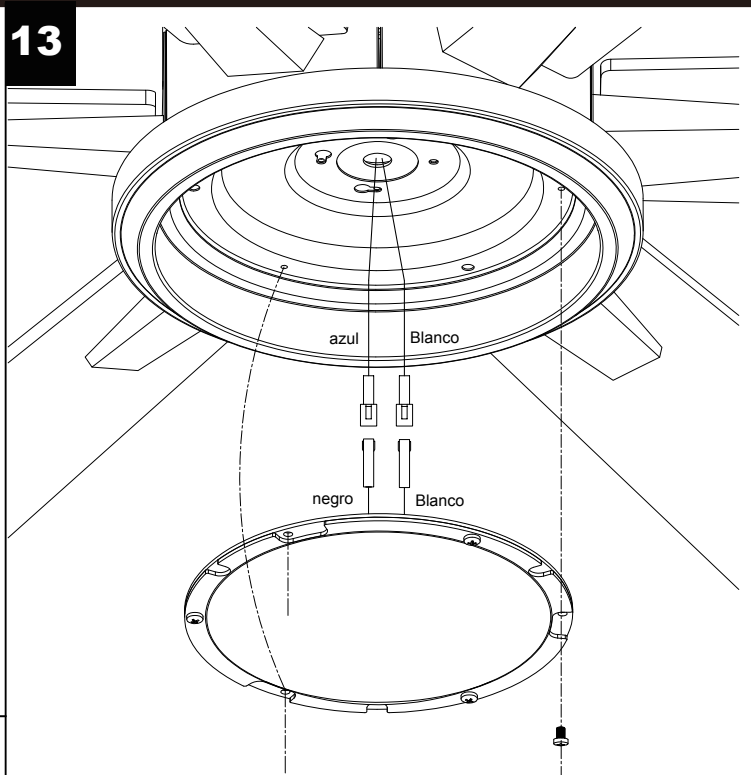
Instrucciones de instalación y operación para la instalación del propietario de Parrotuncle, manual

ADVERTENCIA: Apague la energía en el fusible o el interruptor de circuito

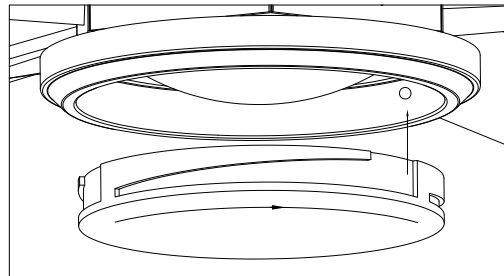
12



13



14



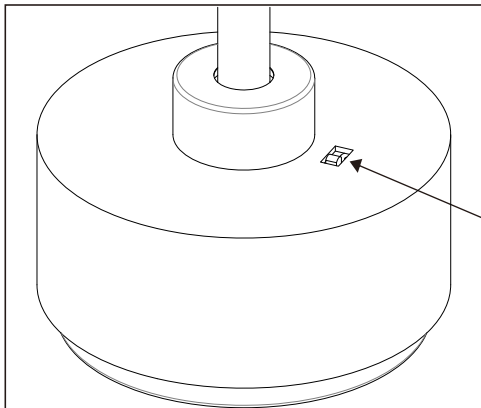
En primer lugar, retire los 3 tornillos de la placa del kit de luz, inserte los 2 cables de luz y vuelva a bloquear los 3 tornillos.

FUNCIONAMIENTO DEL VENTILADOR

La velocidad adecuada para un clima cálido o frío depende de factores como el tamaño de la habitación, la altura del techo y el número de ventiladores.

El interruptor de inversión cambia la dirección de las aspas.

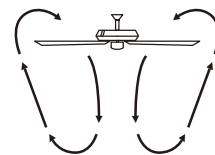
interruptor de marcha atrás



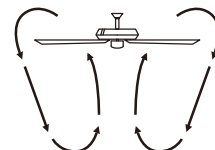
NOTA: Espere a que el ventilador se detenga antes de invertir el sentido de giro de las aspas.

A. Tiempo cálido-(Hacia adelante) Un flujo de aire hacia abajo crea un efecto de enfriamiento. Esto le permite poner el aire acondicionado en un ajuste más alto sin afectar su comodidad.

B. Tiempo frío-(Hacia atrás) Un flujo de aire ascendente desplaza el aire caliente de la zona del techo. Esto le permite poner la unidad de calefacción en un ajuste más bajo sin afectar a su confort.



A. Clima cálido (TIEMPO DE VERANO)



B. Tiempo fresco (TIEMPO DE INVIERNO)

Mando a distancia

INFORMACIÓN GENERAL

1. INSTALACIÓN DEL RECEPTOR EN EL VENTILADOR DE TECHO

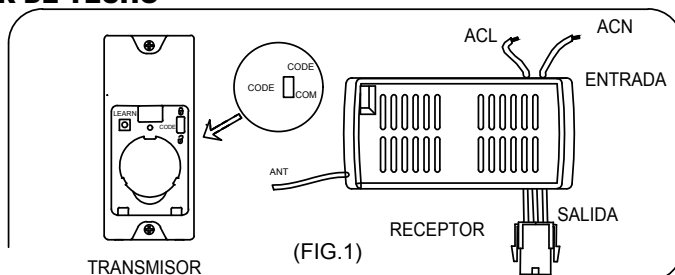
A. Precauciones de seguridad

1. ADVERTENCIA: ¡ALTA TENSIÓN! Desconecte la alimentación quitando el fusible o desconectando el disyuntor.
2. No utilizar con ventiladores de estado sólido.
3. El cable eléctrico debe cumplir con todos los requisitos de los códigos eléctricos locales y nacionales.
4. El suministro para el ventilador debe ser de 110/120 voltios, 60 Hz, 3,5 A.
5. Amperios máximos del motor del ventilador: 1,0.
6. Vatios de luz máximos: 180 incandescentes o balasto y LED.
7. Para reducir el riesgo de descarga eléctrica, este ventilador debe instalarse con un interruptor/mando de pared.

B. Instalación del receptor en el ventilador

CONECTAR A

1. Quite la corriente del circuito.
2. Retire la campana del ventilador de techo del soporte de montaje.
3. Desconecte el cableado existente entre el ventilador de techo y el suministro en la caja de conexiones eléctricas.
4. Haga las conexiones como se indica a continuación, utilizando las tuercas para cables suministradas.



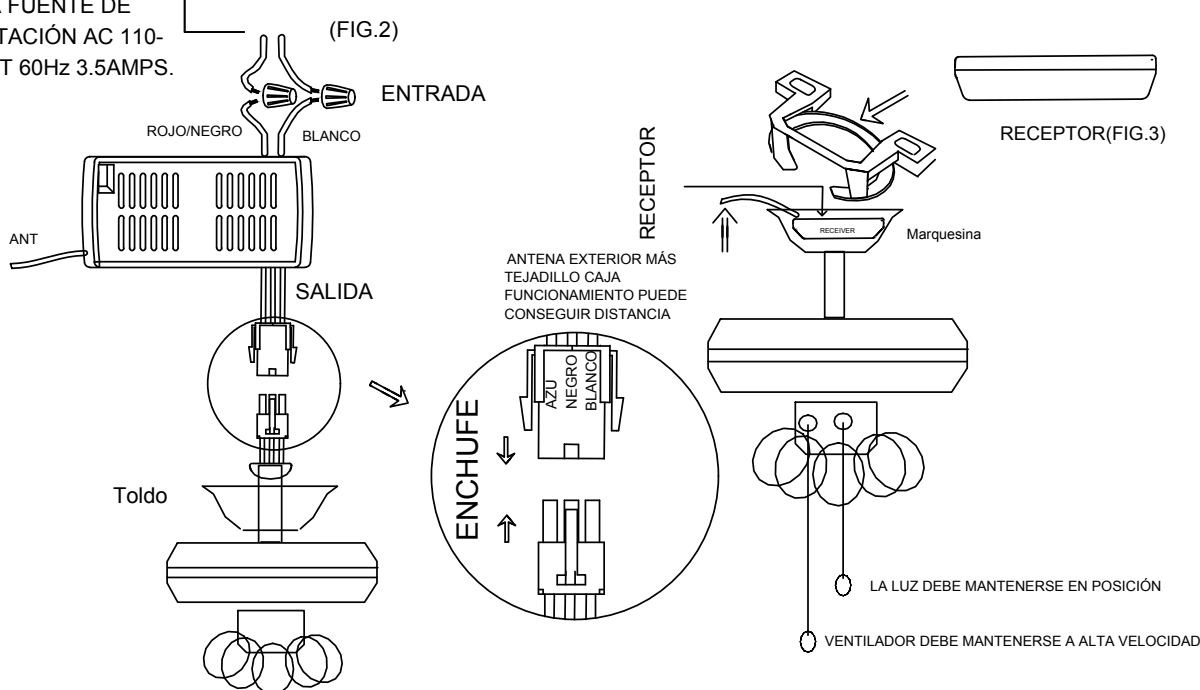
ATENCIÓN: El ángulo del techo no debe superar los 30 grados, Para el controlador de montaje, modelo GA030

CONECTAR A Cable

Cable verde del ventilador Cable desnudo de alimentación
 Cable receptor rojo o negro (AC IN L).... Cable de alimentación rojo o negro
 Cable receptor blanco (AC IN N)....Cable de alimentación blanco
 Cable blanco del receptor (AL MOTOR N)....Cable blanco del ventilador
 Cable negro del receptor (AL MOTOR L)....Cable negro del ventilador
 Cable azul del receptor (para la luz)Cable azul de la luz

DE UNA FUENTE DE ALIMENTACIÓN AC 110-120 VOLT 60Hz 3.5AMPS.

Utilice las tuercas de conexión suministradas con el ventilador.



Si otros ventiladores o cables de alimentación son de diferente color, encargue la instalación de esta unidad a un electricista cualificado.

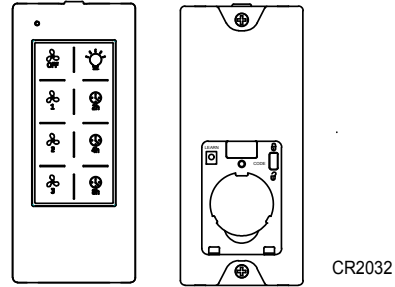
1. Introduzca todos los cables conectados en la caja de conexiones.
2. Coloque el cable de antena marrón sobre el receptor, y coloque el receptor en el soporte de montaje.
3. Vuelva a instalar la cubierta en el soporte de montaje.
4. Restablezca la alimentación eléctrica.
5. Instale una pila de 1,5 voltios (no incluida). (Para evitar daños en el transmisor, retire la batería si no va a utilizarlo durante un periodo prolongado).
6. Guarde el transmisor alejado del calor o la humedad excesivos.
7. Este mando a distancia está equipado con combinaciones de códigos de rodillo. Para evitar posibles interferencias con otros mandos a distancia como abridores de puertas de garaje, alarmas de coche o sistemas de seguridad. Si observa que el ventilador y el juego de luces se encienden y apagan sin la ayuda del mando a distancia, sólo tiene que cambiar la combinación de códigos del transmisor y del receptor.

ADVERTENCIA: Apague la energía en el fusible o el interruptor de circuito

2. TRANSMISOR EN FUNCIONAMIENTO

Utilización de los botones del panel del transmisor.

- Botón 3 - para velocidad alta del ventilador.
- Botón 2 - para velocidad media del ventilador.
- Botón 1 - para velocidad baja del ventilador.
- Botón OFF para parar el ventilador.
- Botón LIGHT para encender y apagar la luz.
- Botón 2hr , 4hr , 8hr para ajustar el temporizador de apagado del ventilador.



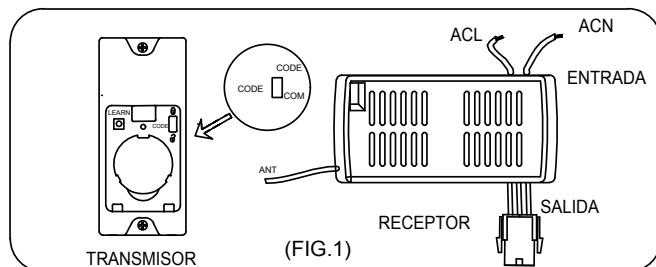
MODELO: GA030

DISTANCIA DE FUNCIONAMIENTO 20 PIES

SU MANDO A DISTANCIA AHORA TIENE EL CONTROL TOTAL DEL VENTILADOR Y LA LUZ.

3.GUÍA DE SOLUCIÓN DE PROBLEMAS

- a. Fuente de alimentación del receptor?
- b. Está el receptor correctamente cableado?
- c. Está el control manual de velocidad del ventilador en la posición alta?
- d. Está encendido el interruptor del kit de luces?
- e. Está en buen estado la batería del transmisor?



Si hay dos o más ventiladores de techo instalados en la misma casa, para evitar que sus ventiladores de techo se vean afectados por el mando a distancia de ventiladores de techo adyacentes, gire primero el interruptor de cada transmisor de mando a distancia a la posición CÓDIGO (ARRIBA) (consulte el diagrama FIG1). Notas: El estado estándar del transmisor es en la posición CÓDIGO (ARRIBA)).

(Apagar significa que debe utilizar un interruptor de pared para cortar el suministro eléctrico al ventilador de techo, si no tiene un interruptor de pared, por favor apague toda la habitación desde el disyuntor de aire de cada habitación)

- 1: Encienda el receptor 1# del ventilador de techo (el receptor 2# permanece apagado), en los 30 segundos siguientes al encendido del ventilador, pulse el botón LEARN correspondiente al transmisor 1#, entonces el receptor aprenderá el código del transmisor. Cuando el código del transmisor se haya aprendido con éxito, los ventiladores de techo parpadearán dos veces y podrán utilizarse con normalidad.
- 2: Encienda el ventilador de techo receptor 2# (el receptor 1# permanece apagado), antes de que transcurran 30 segundos desde que se enciende el ventilador, pulse el botón del mando a distancia. 30 segundos después de encender el ventilador, pulse el botón LEARN correspondiente al transmisor 2#, entonces el receptor aprenderá el código del transmisor. Cuando el código del transmisor se haya aprendido correctamente, los ventiladores de techo parpadearán dos veces y podrán utilizarse con normalidad.

Y así sucesivamente, sólo se enciende un ventilador de techo cada vez que se aprende el transmisor correspondiente.

Una vez memorizados los emisores 1# y 2#, encienda ambos ventiladores de techo. En este momento, el transmisor 1# y el transmisor 2# pueden utilizarse por separado para un ventilador de techo.

Declaración FCC :

Este aparato cumple el apartado 15 de la normativa FCC. Su funcionamiento está sujeto a las dos condiciones siguientes.

Este aparato no debe causar interferencias perjudiciales.

Este dispositivo debe aceptar cualquier interferencia recibida, incluyendo interferencias que puedan causar un funcionamiento no deseado.

Los cambios o modificaciones no aprobados expresamente por la parte responsable del cumplimiento podrían anular la autorización del usuario para utilizar el equipo. autorización para utilizar el equipo.

NOTA: Este equipo ha sido probado y cumple los límites establecidos para los dispositivos digitales de Clase B, de acuerdo con la Parte 15 de las normas de la FCC. Estos límites están diseñados para proporcionar una protección razonable contra interferencias perjudiciales en una instalación residencial. Este equipo genera, utiliza y puede irradiar energía de radiofrecuencia y, si no se instala y utiliza de acuerdo con las instrucciones, puede causar interferencias perjudiciales en las comunicaciones por radio,

Sin embargo, no se garantiza que no se produzcan interferencias en una instalación concreta. Si este equipo causa interferencias perjudiciales en la recepción de radio o televisión, lo cual puede determinarse apagando y encendiendo el equipo, se recomienda al usuario que intente corregir la interferencia mediante una o más de las siguientes medidas:

- Reorientar o reubicar la antena receptora.
- Aumente la separación entre el equipo y el receptor.
- Conecte el equipo a una toma de corriente de un circuito distinto al que está conectado el receptor. Conecte el equipo a una toma de corriente de un circuito distinto al que está conectado el receptor.
- Consulte al distribuidor o a un técnico de radio/TV experimentado para obtener ayuda.

ADVERTENCIA:

NO instale este ventilador con un control de pared de velocidad variable o un regulador de pared. Si lo hace, dañará permanentemente el mando a distancia del ventilador y provocará su avería.



NO Mando de pared de velocidad variable



NO Regulador de intensidad



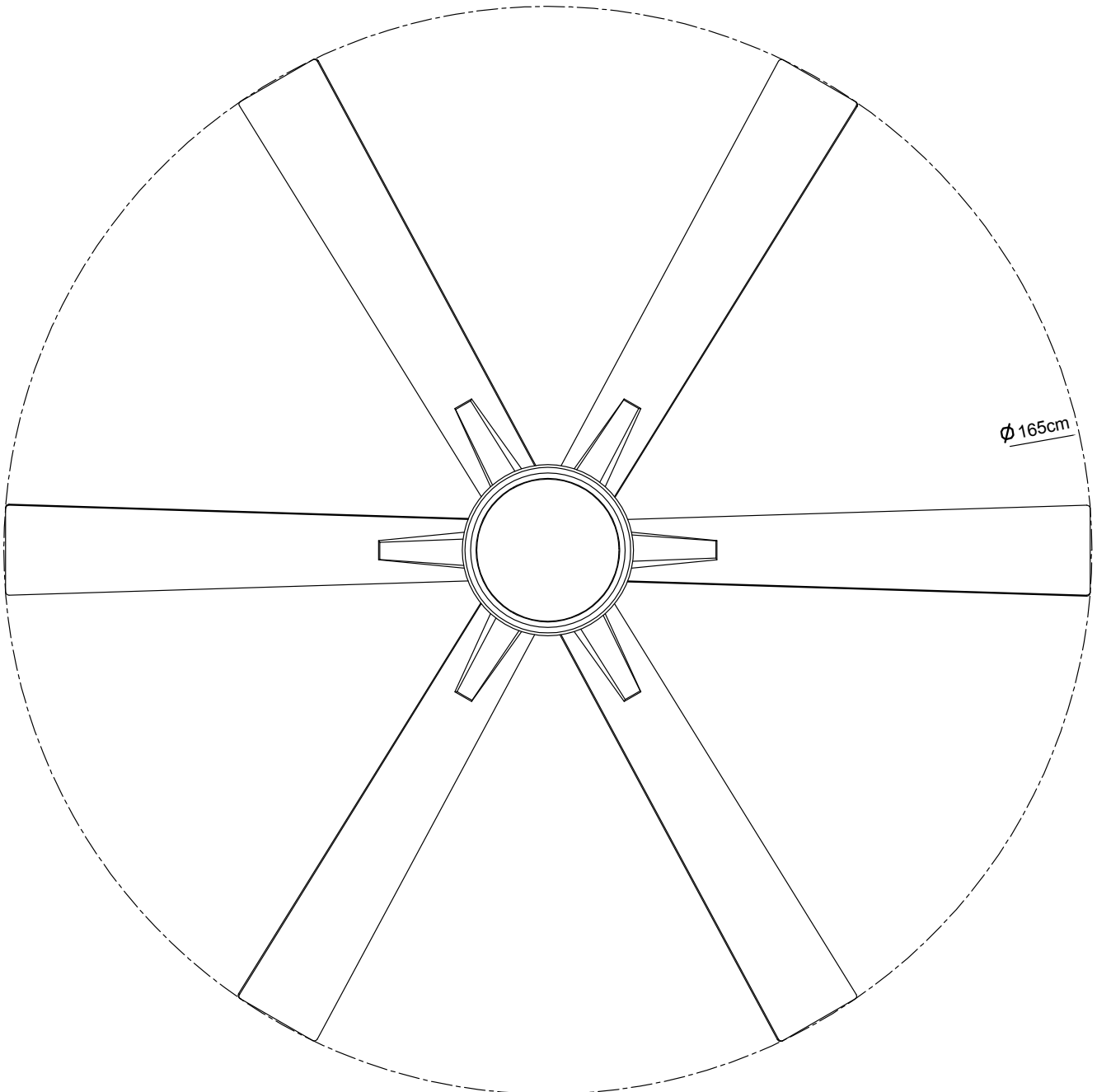
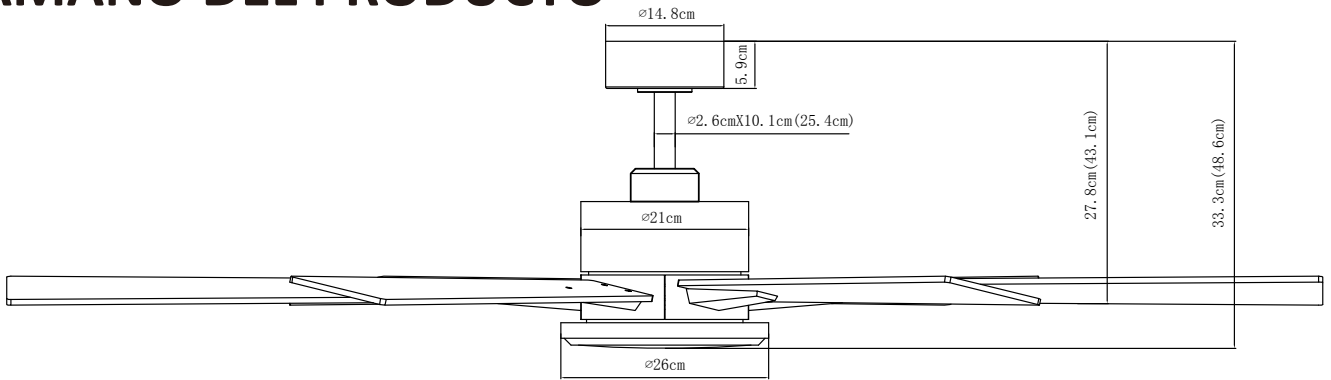
Parrot Uncle

F8306

Instrucciones de instalación y operación para la
instalación del propietario de Parrotuncle, manual

ADVERTENCIA: Apague la energía en el fusible o el interruptor de circuito

TAMAÑO DEL PRODUCTO



DESPUÉS DE LA INSTALACIÓN

TAMBALEARSE"

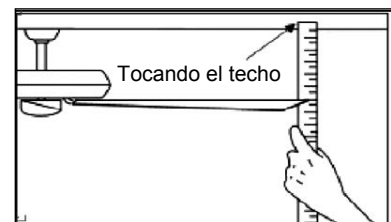
Las cuchillas del ventilador se han ajustado en la fábrica para minimizar cualquier bamboleo

Nota: Los ventiladores de techo tienden a moverse durante la operación debido al hecho de que están montados en un crucero de goma. Si el ventilador se montara rígidamente hasta el techo, causaría un exceso de vibración. Movimiento de algunos centímetros

Es bastante aceptable y no sugiere ningún problema

Para reducir el bamboleo del ventilador: verifique que todos los tornillos que aseguraron el montaje El soporte y la reducción son seguros. Equilibrar un ventilador de techo tambaleante:

1. Verifique que todos los tornillos de brazo de cuchilla y cuchilla sean seguros.
2. La mayoría de los problemas de bamboleo de los fanáticos son causados cuando los niveles de cuchilla son desiguales. Verifique este nivel seleccionando un punto en el techo sobre la punta de uno de los cuchillas. Mida esta distancia. Rote el ventilador hasta que la siguiente cuchilla esté posicionada para la medición. Repita para cada cuchilla. La desviación de distancia debe ser igual dentro de 1/8 "(0.32 cm).
3. Si el bamboleo de la cuchilla todavía se nota, intercambiando dos cuchillas adyacentes (lado a lado) pueden redistribuir el peso y posiblemente resulte en una operación más suave. Advertencia: para reducir el riesgo de personal Lesión, no doble el brazo de la cuchilla mientras se instala, equilibra las cuchillas o limpia el ventilador. No inserte objetos extraños entre las palas giratorias del ventilador.



RUIDO

Cuando esté tranquilo (especialmente por la noche), puede escuchar pequeños ruidos ocasionales. Esto es normal. Permita que un período de "ruptura" de 24 horas, la mayoría de los ruidos asociados con un nuevo ventilador desaparezcan durante el tiempo.

CUIDADO Y LIMPIEZA

1. La limpieza periódica de su ventilador de techo es el único mantenimiento requerido. Use un cepillo suave o un paño sin pelusa para evitar rascar el acabado de pintura. Asegúrese de girar la energía de electricidad antes de limpiar su ventilador
2. No use agua al limpiar el ventilador de su techo. Podría dañar el motor o las cuchillas y crear la posibilidad de una descarga eléctrica.
3. El motor tiene rodamiento de bolas lubricado permanentemente. No hay necesidad de aceite

Nota: Asegúrese de que la energía esté apagada en la caja del panel eléctrico antes de intentar una limpieza o reparación.



Parrot Uncle

F8306

Instructions d'installation et d'utilisation pour le
Installation du propriétaire de Parrotuncle, manue

VERTISSEMENT: COUPER L'ALIMENTATION AU FUSIBLE OU AU DISJONCTEUR

Informations sur la Sécurité

1. Pour réduire le risque de choc électrique, l'électricité a été coupée au niveau du disjoncteur ou de la boîte à fusibles avant de commencer.

2. Tout le câblage doit être conforme au Code national de l'électricité NASI/NFPA 70-1999 et aux codes électriques locaux. L'installation électrique doit être effectuée par un électricien qualifié et agréé.

3. La boîte de sortie et la structure de support doivent être solidement montées et capables de supporter de manière fiable 35lb. (15,9kg). Utilisez uniquement des boîtes de sortie homologuées UL portant la mention "Acceptable for Fan Support of 35lbs(15,9kg) or less."

4. Le ventilateur doit être monté avec un dégagement minimum de 7 pieds (2,1m) entre le bord de fuite des pales et le sol.

5. N'actionnez pas le commutateur d'inversion lorsque les pales du ventilateur sont en mouvement. Vous devez éteindre le ventilateur et arrêter les pales avant d'inverser le sens des pales.

6. Ne placez pas d'objets dans la trajectoire des pales.

7. Pour éviter toute blessure ou tout dommage au ventilateur et à d'autres articles, veuillez être prudent lorsque vous travaillez autour du ventilateur ou lorsque vous le nettoyez.

8. Les schémas électriques ne sont donnés qu'à titre indicatif. Les kits d'éclairage qui ne sont pas emballés avec le ventilateur doivent être répertoriés UL et marqués comme convenant au modèle de ventilateur que vous installez. Les interrupteurs doivent être des interrupteurs à usage général UL. Reportez-vous aux instructions emballées avec les kits d'éclairage et les interrupteurs pour un assemblage correct.

9. Après avoir effectué les connexions électriques, les conducteurs épissés doivent être tournés vers le haut et poussés avec précaution dans la boîte de sortie. Les fils doivent être écartés avec le conducteur mis à la terre et le conducteur de mise à la terre de l'équipement d'un côté de la boîte de sortie.

10. Toutes les vis de pression doivent être vérifiées et resserrées si nécessaire avant l'installation.



AVERTISSEMENT: pour réduire les risques de blessures, ne pliez pas les supports de pales (également appelés brides) pendant l'assemblage ou après l'installation et n'insérez pas d'objets dans la trajectoire des pales.



AVERTISSEMENT: Retirez les butées en caoutchouc du moteur situées au bas du ventilateur avant d'installer les pales ou de tester le moteur.



AVERTISSEMENT: Pour réduire les risques d'incendie ou d'électrocution, n'utilisez pas ce ventilateur avec un dispositif de contrôle de vitesse à semi-conducteurs.



AVERTISSEMENT: Pour éviter tout risque de choc électrique, coupez l'électricité au niveau de la boîte à fusibles principale avant de procéder au câblage. Si vous pensez ne pas avoir suffisamment de connaissances ou d'expérience en matière de câblage électrique, contactez un électricien agréé.



AVERTISSEMENT: Les schémas électriques ne sont donnés qu'à titre indicatif. L'utilisation facultative de tout kit d'éclairage doit être répertorié UL et marqué comme convenant à l'utilisation de ce ventilateur.

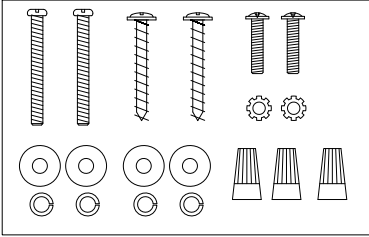


AVERTISSEMENT: Pour réduire les risques d'incendie, d'électrocution ou de blessures corporelles, installez l'appareil sur une boîte de sortie portant la mention "Acceptable pour un ventilateur supportant 35 lbs (15,9 kg) ou moins" et utilisez les vis fournies avec la boîte de sortie.

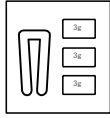
INFORMATION TECHNIQUE

SKU	Tension nominale	Puissance nominale (moteur)	Lumière
F8306	120V AC	80W	1*24W LED inclus

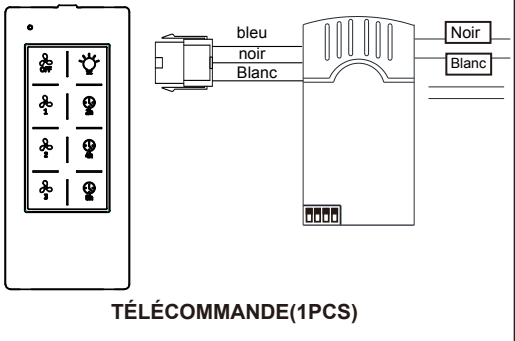
VERTISSEMENT: COUPER L'ALIMENTATION AU FUSIBLE OU AU DISJONCTEUR



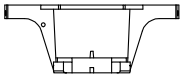
Paquet de matériel (1 jeu)




Paquet de pièces équilibrées (1PCS)



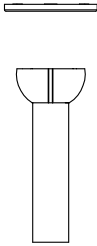
TÉLÉCOMMANDE(1PCS)



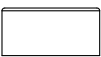
Support de montage coulissant



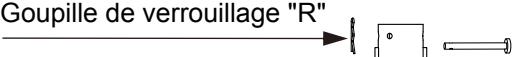
Canopée



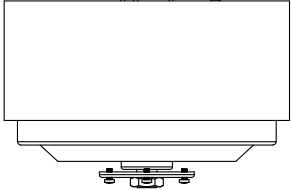
Assemblage boule/tige de 4"
Assemblage boule/tige de 10" (veille)



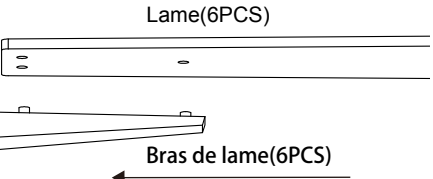
Couvercle d'accouplement



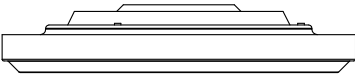
Goupille de verrouillage "R"
Broche à suspendre




Assemblage ventilateur-moteur



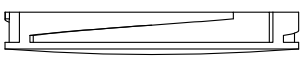
Lame(6PCS)
Bras de lame(6PCS)



Kit de lumière



Assemblage LED



Abat-jour en verre

Veillez vérifier si les accessoires ci-dessus sont terminés ou non ? Oui, et installez-les.



Parrot Uncle

F8306

Instructions d'installation et d'utilisation pour le
Installation du propri é taire de Parrotuncle, manue

VERTISSEMENT: COUPER L'ALIMENTATION AU FUSIBLE OU AU DISJONCTEUR

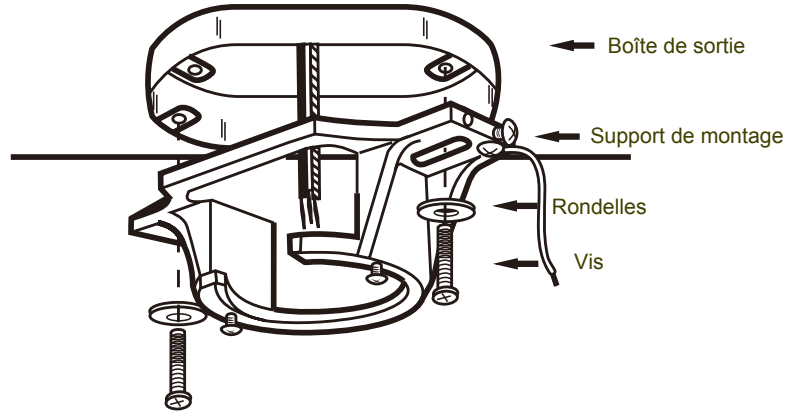
1 Fixation du ventilateur au boîtier électrique



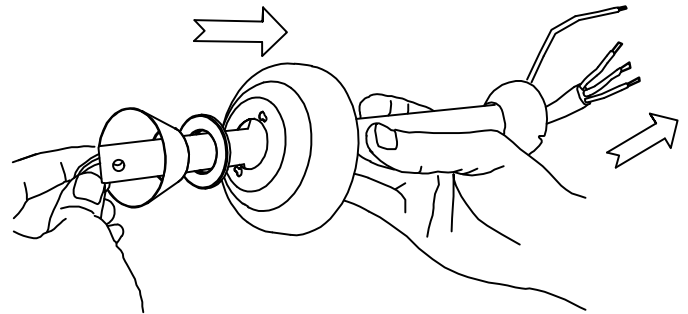
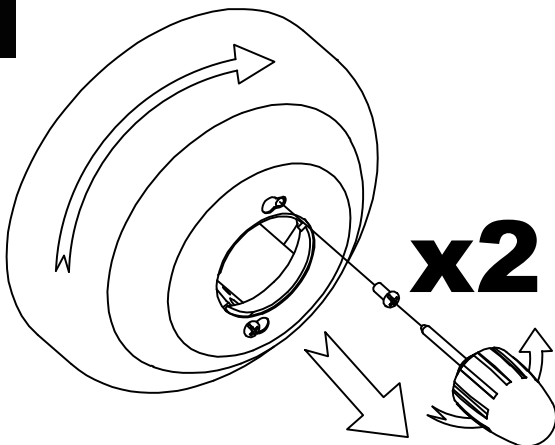
AVERTISSEMENT: Pour réduire les risques d'incendie, d'électrocution ou de blessure, installez l'appareil sur une boîte de sortie portant la mention "Acceptable for fan support of 35 lbs. (15.9kg) or less," et utilisez les vis fournies avec la boîte de sortie.



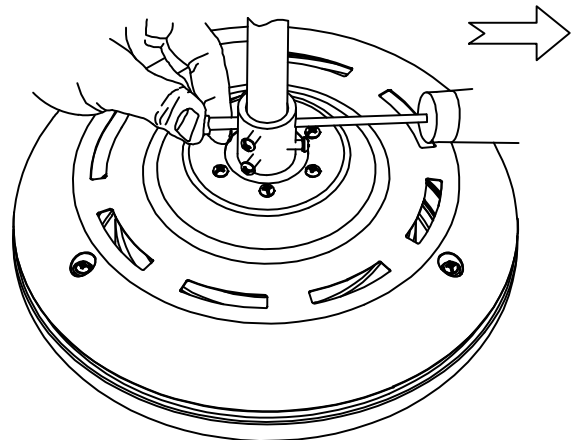
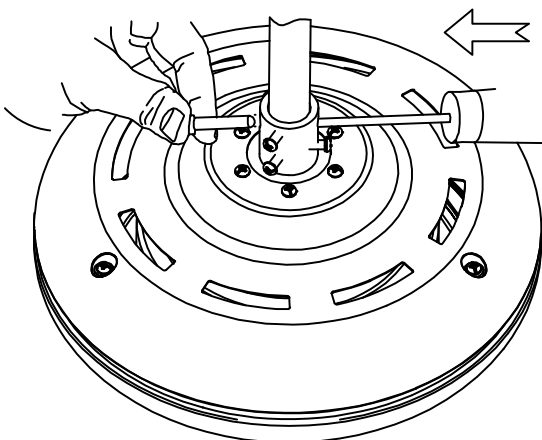
REMARQUE: Le support de montage (A) est conçu pour être glissé en place sur une boîte de sortie avec les vis de la boîte de sortie (LL).



2



3





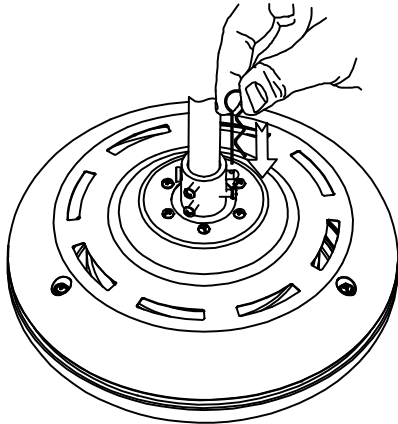
Parrot Uncle

F8306

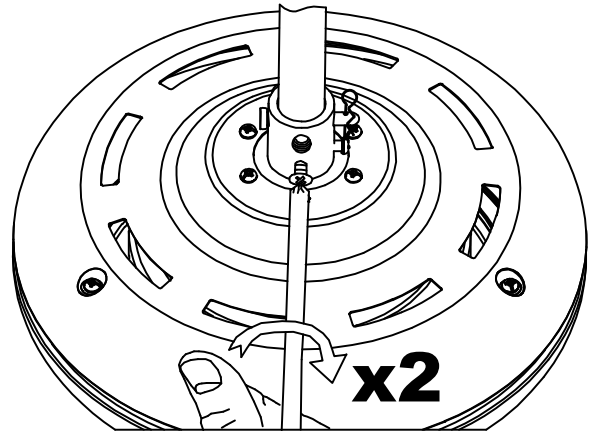
Instructions d'installation et d'utilisation pour le
Installation du propri é taire de Parrotuncle, manue

VERTISSEMENT: COUPER L'ALIMENTATION AU FUSIBLE OU AU DISJONCTEUR

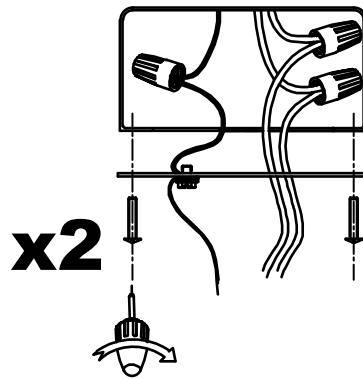
4



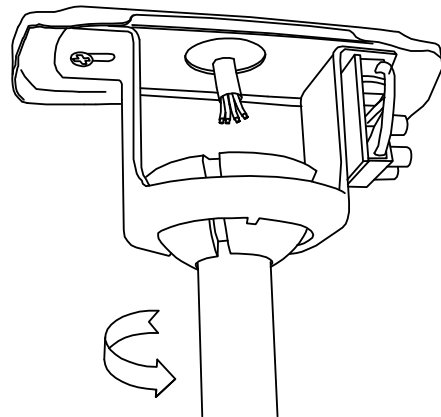
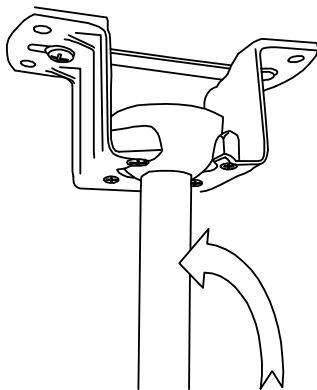
5



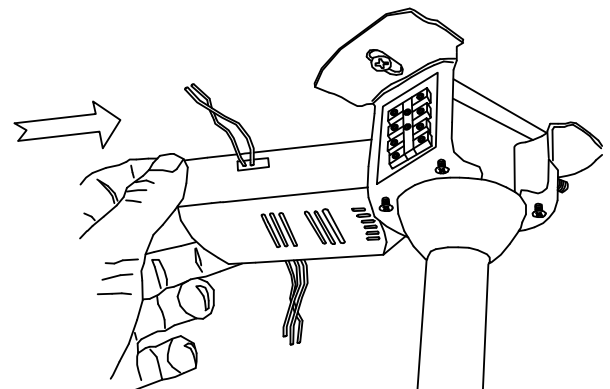
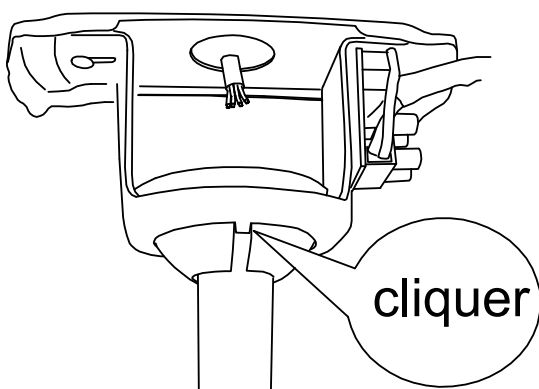
6



7



8





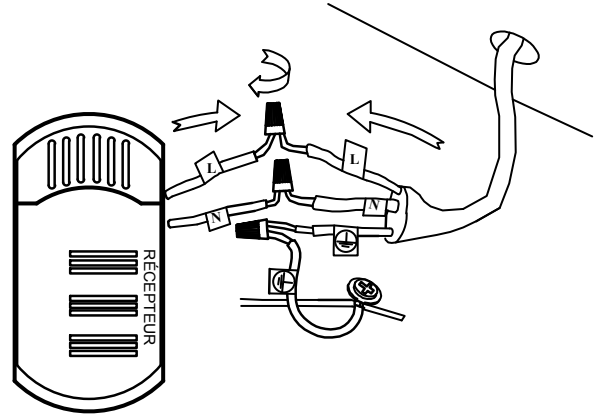
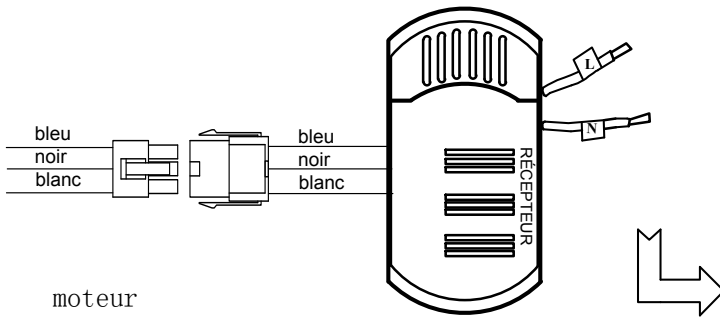
Parrot Uncle

F8306

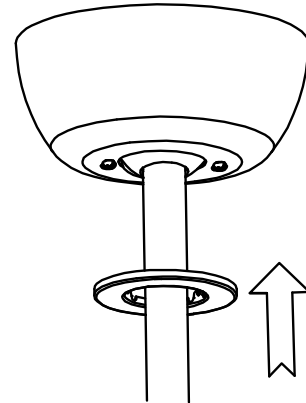
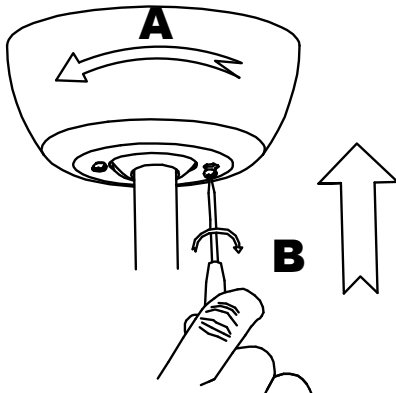
Instructions d'installation et d'utilisation pour le
Installation du propri é taire de Parrotuncle, manue

VERTISSEMENT: COUPER L'ALIMENTATION AU FUSIBLE OU AU DISJONCTEUR

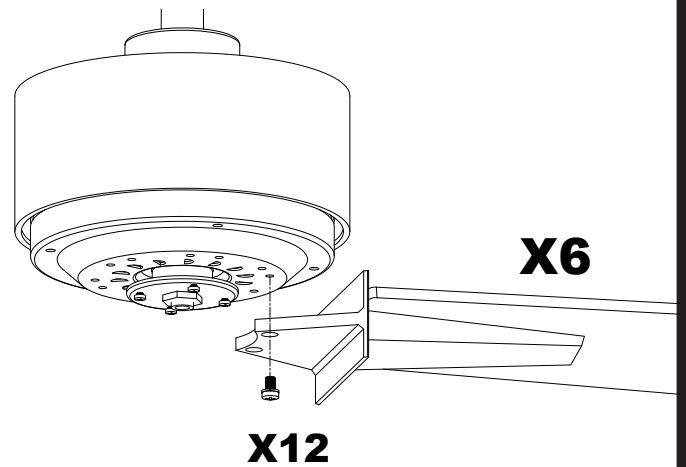
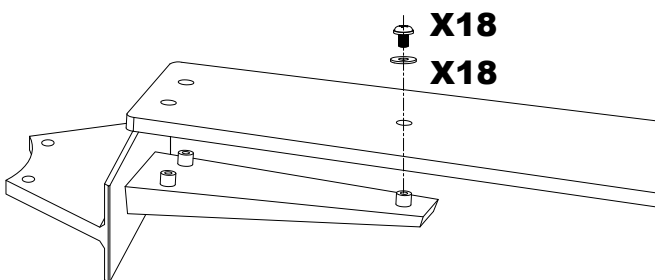
9



10



11





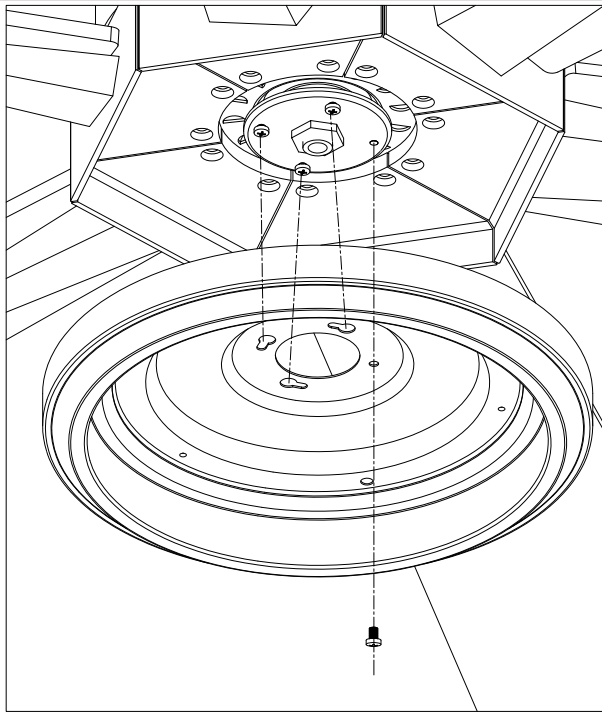
Parrot Uncle

F8306

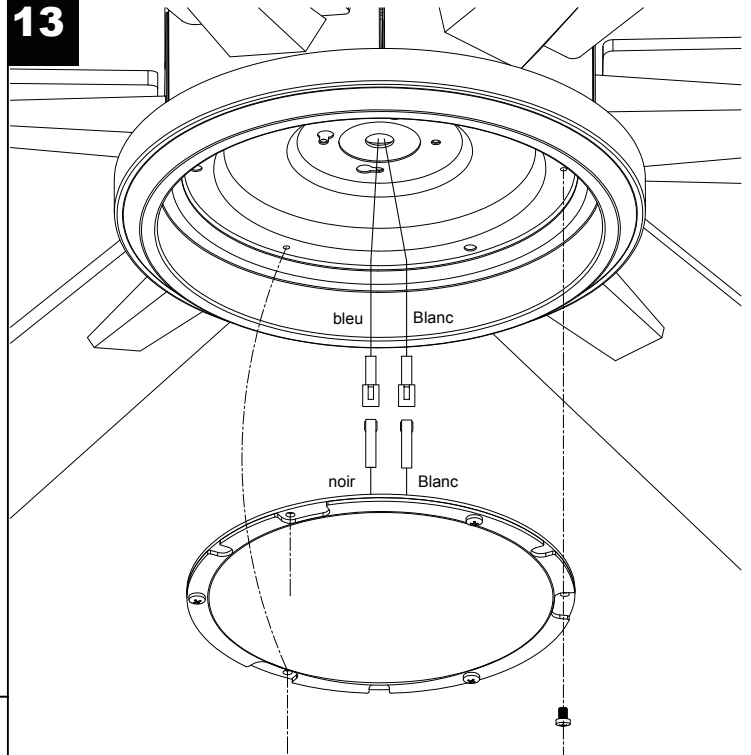
Instructions d'installation et d'utilisation pour le
Installation du propri é taire de Parrotuncle, manue

VERTISSEMENT: COUPER L'ALIMENTATION AU FUSIBLE OU AU DISJONCTEUR

12

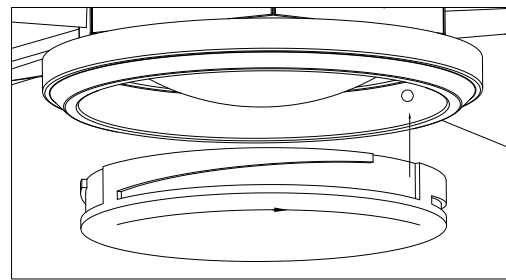


13



Retirez d'abord les 3 vis de la plaque du kit de lumière,
insérez les 2 fils de lumière et verrouillez les 3 vis.

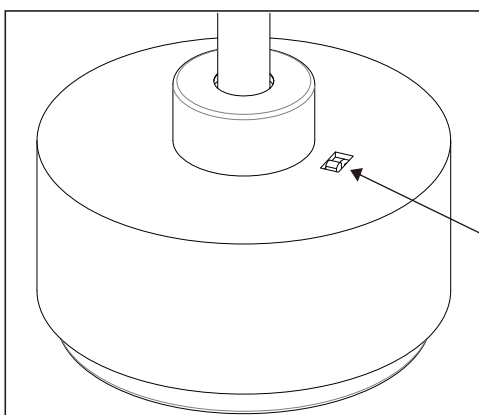
14



FONCTIONNEMENT DU VENTILATEUR

Les réglages de vitesse appropriés pour un temps chaud ou frais dépendent de facteurs tels que la taille de la pièce, la hauteur du plafond et le nombre de ventilateurs.

L'interrupteur de marche arrière contrôle la direction des lames.



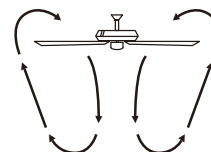
interrupteur de
marche arrière



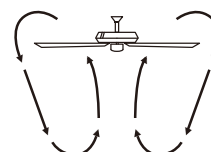
REMARQUE: Attendez que le ventilateur s'arrête avant d'inverser le sens de rotation des lames.

A. Temps chaud - (Avant) Un flux d'air vers le bas crée un effet de refroidissement. Cela vous permet de régler votre climatiseur à un niveau plus élevé sans nuire à votre confort.

B. Temps frais - (Inversé) Un flux d'air ascendant déplace l'air chaud hors de la zone du plafond. Cela vous permet de régler l'unité de chauffage à un niveau plus bas sans affecter votre confort.



A. Temps chaud
(HEURE D'ÉTÉ)



B. Temps frais
(HEURE D'HIVER)

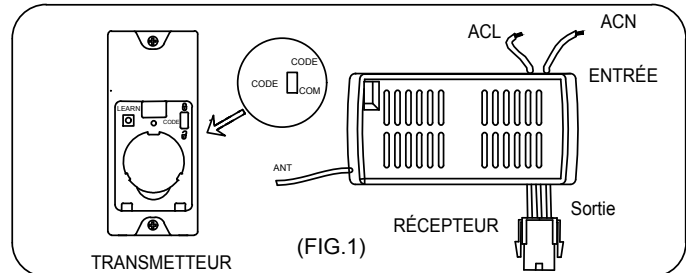
Télécommande

INFORMATIONS GÉNÉRALES

1. INSTALLATION DU RÉCEPTEUR DANS LE VENTILATEUR DE PLAFOND

A. Précautions de sécurité

1. AVERTISSEMENT : HAUTE TENSION ! Couper l'alimentation en retirant le fusible ou en coupant le disjoncteur.
2. Ne pas utiliser avec des ventilateurs à semi-conducteurs.
3. Le fil électrique doit être conforme à toutes les exigences des codes électriques locaux et nationaux.
4. L'alimentation du ventilateur doit être de 110/120 volts, 60Hz, 3,5A.
5. Intensité maximale du moteur du ventilateur : 1,0.
6. Puissance maximale de l'éclairage : 180 watts pour les lampes à incandescence ou les ballasts et les LED.
7. Pour réduire le risque de choc, ce ventilateur doit être installé avec un interrupteur/commande mural.



ATTENTION: L'angle Du Plafond Ne Doit Pas Dépasse 30 Degrés,
Pour Le Contrôleur de Montage, Modèle GA030

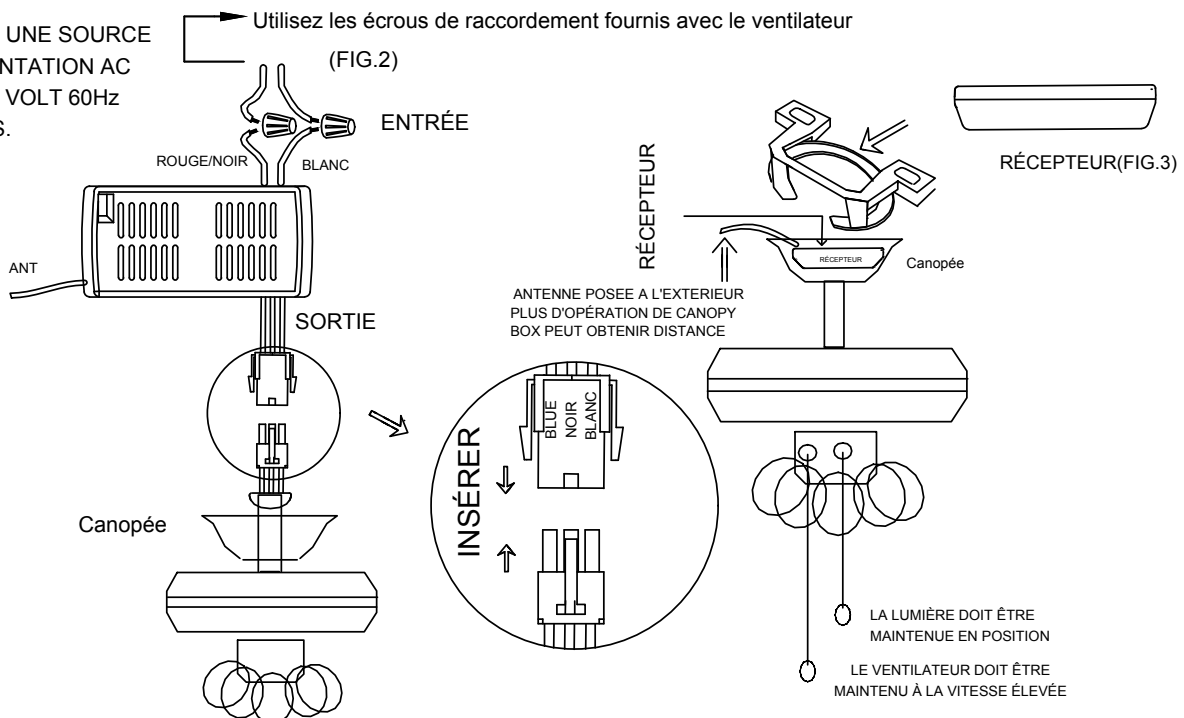
B. Installation du récepteur dans le ventilateur

1. Couper l'alimentation du circuit.
2. retirer l'auvent du ventilateur de plafond de son support de montage.
3. débrancher le câblage existant entre le ventilateur de plafond et l'alimentation dans la boîte de jonction électrique.
4. effectuer les connexions comme suit, à l'aide des écrous fournis.

CONNECT TO FIL

Fil vert du ventilateurFil d'alimentation à nu
Fil récepteur rouge ou noir (AC IN L)...Fil d'alimentation rouge ou noir
Fil récepteur blanc (AC IN N)...Fil d'alimentation blanc
Fil récepteur blanc (TO MOTOR N)...Fil de ventilateur blanc
Fil récepteur noir (TO MOTOR L)...Fil ventilateur noir
Fil récepteur bleu (pour la lumière)Fil de lumière bleu

DEPUIS UNE SOURCE
D'ALIMENTATION AC
110- 120 VOLT 60Hz
3.5AMPS.



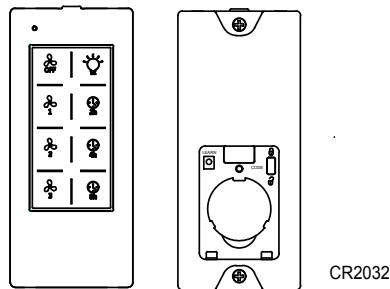
Si d'autres ventilateurs ou fils d'alimentation sont de couleur différente, faites installer cette unité par un électricien qualifié et agréé.

- a. Poussez tous les fils connectés vers le haut dans la boîte de jonction.
- b. Posez le fil d'antenne marron sur le récepteur, et placez le récepteur dans le support de montage.
- c. Réinstallez l'auvent sur le support de montage.
- d. Rétablissez l'alimentation.
- e. Installez une batterie de 1,5 volt (non incluse). (Pour éviter d'endommager l'émetteur, retirez la batterie si vous ne l'utilisez pas pendant une longue période).
- f. Rangez l'émetteur à l'abri d'une chaleur ou d'une humidité excessive.
- g. Cette télécommande est équipée de combinaisons de codes à rouleau. Afin d'éviter toute interférence possible avec d'autres unités à distance telles que des ouvreurs de porte de garage, des alarmes de voiture ou des systèmes de sécurité. Si vous constatez que votre ventilateur et votre kit d'éclairage s'allument et s'éteignent sans l'aide de votre télécommande, il suffit de modifier la combinaison de codes de votre émetteur et de votre récepteur.

2. TRANSMETTEUR EN FONCTIONNEMENT

Utilisation des boutons sur le panneau de l'émetteur.

- Touche 3 - pour la haute vitesse du ventilateur.
- Touche 2 - pour la vitesse moyenne du ventilateur.
- Touche 1 - pour la basse vitesse du ventilateur.
- Touche OFF pour arrêter le ventilateur.
- Touche LIGHT pour allumer et éteindre la lumière.
- Touche 2hr , 4hr , 8hr pour régler la minuterie de mise en veille du ventilateur.



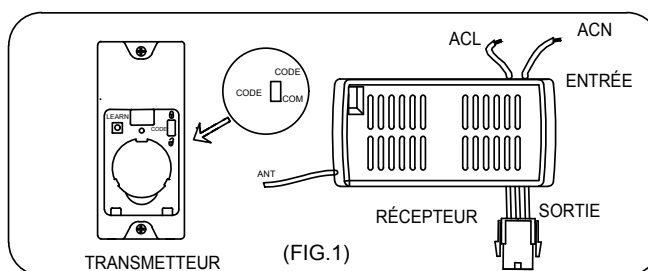
MODÈLE: GA030

DISTANCE D'OPÉRATION 20 PIEDS

VOTRE TÉLÉCOMMANDE A MAINTENANT LE CONTRÔLE TOTAL DU VENTILATEUR ET DE LA LUMIÈRE

3. GUIDE DE DÉPANNAGE

- a. Alimentation du récepteur ?
- b. Le récepteur est-il correctement câblé ?
- c. La commande manuelle de vitesse du ventilateur est en position haute ?
- d. L'interrupteur du kit d'éclairage est allumé ?
- e. La batterie de l'émetteur est bonne ?



Si deux ou plusieurs ventilateurs de plafond sont installés dans la même maison, afin d'éviter que vos ventilateurs de plafond ne soient affectés par la télécommande des ventilateurs de plafond adjacents, mettez d'abord l'interrupteur de chaque émetteur de télécommande en position CODE (UP) (voir le schéma FIG1). schéma de principe FIG1) Remarques : L'état standard de l'émetteur est en position CODE(UP).

(La mise hors tension signifie que vous devez utiliser un interrupteur mural pour couper l'alimentation du ventilateur de plafond, si vous ne disposez pas d'un interrupteur mural, veuillez éteindre toute la pièce à partir du disjoncteur d'air de chaque pièce)

Après avoir installé le récepteur de la télécommande sur le ventilateur de plafond

- 1 : Mettez sous tension le récepteur de ventilateur de plafond 1# (le récepteur 2# reste hors tension), dans les 30 secondes qui suivent la mise sous tension du ventilateur, appuyez sur la touche LEARN correspondant à l'émetteur 1#, puis le récepteur apprendra le code de l'émetteur. Lorsque le code de l'émetteur a été appris avec succès, la lumière des ventilateurs de plafond clignote deux fois, puis ils peuvent être utilisés normalement.
- 2 : Mettez le récepteur de ventilateur de plafond 2# sous tension (le récepteur 1# reste hors tension), dans les 30 secondes qui suivent la mise sous tension du ventilateur, appuyez sur la touche de la télécommande. 30 secondes après la mise sous tension du ventilateur, appuyez sur la touche LEARN correspondant à l'émetteur 2#, puis le récepteur apprendra le code de l'émetteur. Lorsque le code de l'émetteur est appris avec succès, la lumière des ventilateurs de plafond clignote deux fois, puis ils peuvent être utilisés normalement. Et ainsi de suite, un seul ventilateur de plafond est mis sous tension à chaque apprentissage de l'émetteur correspondant. Une fois que les émetteurs de télécommande 1# et 2# ont été appris avec succès, mettez les deux ventilateurs de plafond sous tension. A ce moment-là, l'émetteur 1# et l'émetteur 2# peuvent être utilisés séparément pour un ventilateur de plafond.

Déclaration de la FCC :

Cet appareil est conforme à la partie 15 des règles de la FCC. Son utilisation est soumise aux deux conditions suivantes.
Cet appareil ne doit pas causer d'interférences nuisibles.
Cet appareil doit accepter toute interférence reçue, y compris les interférences susceptibles de provoquer un fonctionnement indésirable. Les changements ou modifications non expressément approuvés par la partie responsable de la conformité peuvent annuler l'autorité de l'utilisateur à utiliser l'équipement. l'autorisation d'utiliser l'équipement.

REMARQUE : Cet équipement a été testé et déclaré conforme aux limites d'un appareil numérique de classe B, conformément à la partie 15 des règles de la FCC. Ces limites sont conçues pour fournir une protection raisonnable contre les interférences nuisibles dans une installation résidentielle. Cet équipement génère, utilise et peut émettre de l'énergie de fréquence radio et, s'il n'est pas installé et utilisé conformément aux instructions, peut causer des interférences nuisibles aux communications radio,

Mais, il n'y a aucune garantie que des interférences ne se produiront pas dans une installation particulière. Si l'équipement cause des interférences nuisibles à la réception de la radio ou de la télévision, ce qui peut être déterminé en éteignant et en allumant l'équipement, l'utilisateur est encouragé à essayer de corriger les interférences par une ou plusieurs des mesures suivantes :

- Réorienter ou déplacer l'antenne de réception.
- Augmenter la distance entre l'équipement et le récepteur.
- Connecter l'équipement à une prise sur un circuit différent de celui du récepteur. Connectez l'appareil à une prise de courant sur un circuit différent de celui auquel le récepteur est connecté.
- Consulter le revendeur ou un technicien radio/télévision expérimenté pour obtenir de l'aide.

AVERTISSEMENT:

N'installez PAS ce ventilateur avec une commande murale à vitesse variable ou un variateur mural. Cela endommagerait de façon permanente la télécommande du ventilateur et entraînera une panne du ventilateur.



NON Commande murale à vitesse variable



NO Variateur de lumière



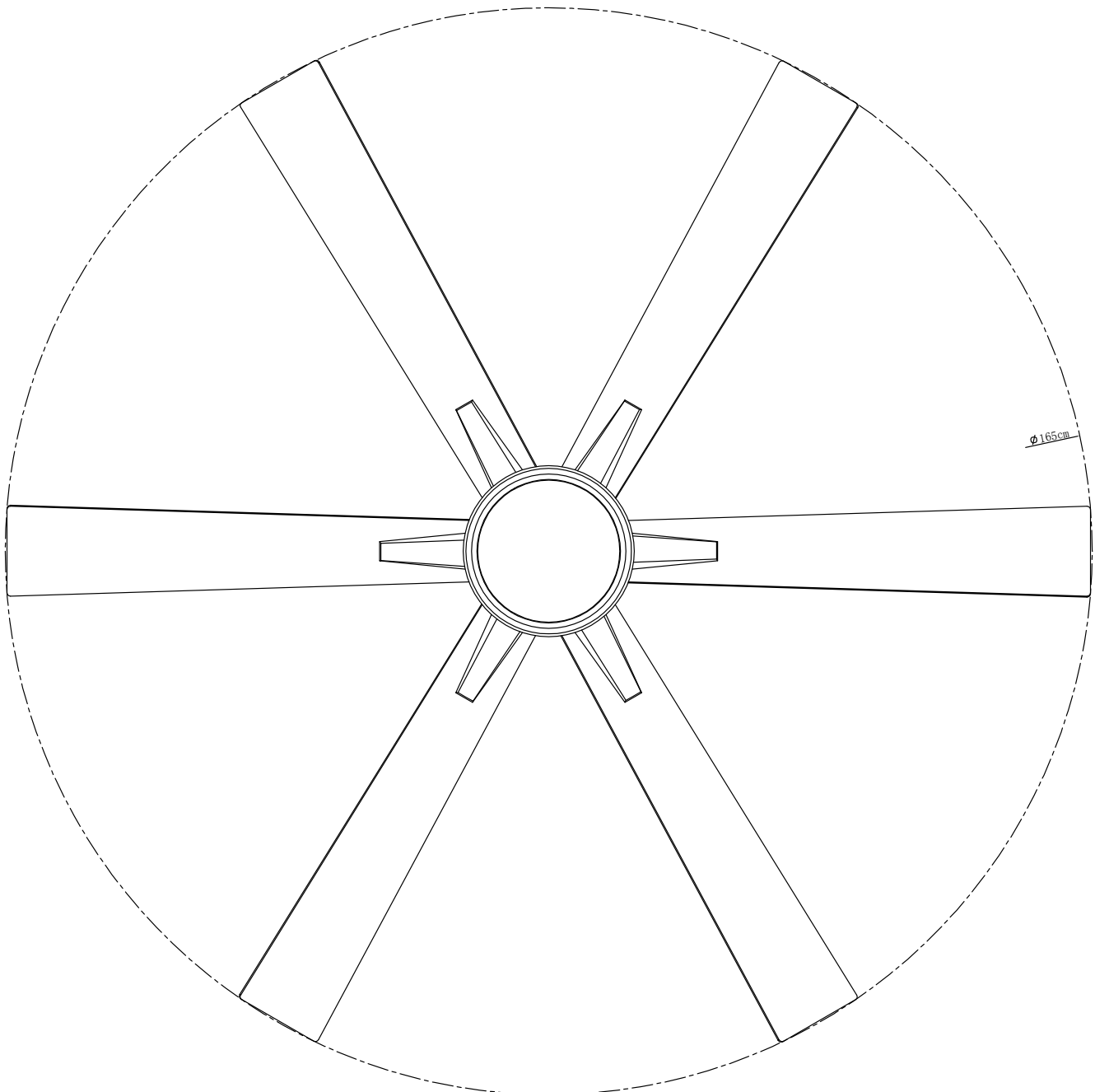
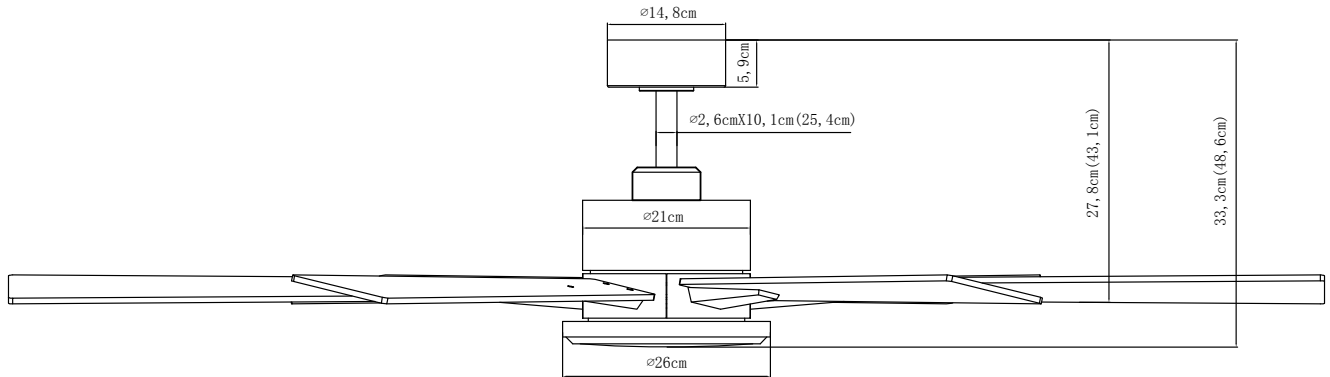
Parrot Uncle

F8306

Instructions d'installation et d'utilisation pour le
Installation du propri é taire de Parrotuncle, manue

VERTISSEMENT: COUPER L'ALIMENTATION AU FUSIBLE OU AU DISJONCTEUR

TAILLE DU PRODUIT



APRÈS L'INSTALLATION

OSCILLER"

Les lames de ventilateur se sont ajustées dans l'usine pour minimiser tout bamboleo

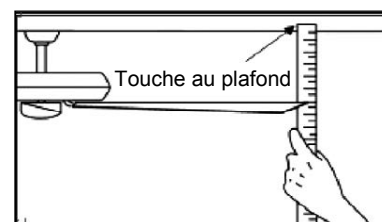
Remarque: les ventilateurs de plafond ont tendance à se déplacer pendant l'opération en raison du fait qu'ils sont montés sur une croisière en caoutchouc. Si le ventilateur était monté de manière rigide au plafond, cela entraînerait des vibrations excessives. Mouvement de certains centimètres

Il est tout à fait acceptable et ne suggère aucun problème

Pour réduire le ventilateur du ventilateur: vérifiez que toutes les vis qui ont sécurisé l'assemblage

Le soutien et la réduction sont sûrs. Équilibrez un ventilateur de toit stupéfiant:

1. Vérifiez que toutes les vis à lame et à la lame sont sûres.
2. La plupart des problèmes de bambou fanatiques sont causés lorsque les niveaux de lame sont inégaux. Vérifiez ce niveau en sélectionnant un point sur le toit sur la pointe de l'une des lames. Mesurez cette distance. Faites pivoter le ventilateur jusqu'à ce que la lame suivante soit positionnée pour la mesure. Répétez pour chaque lame. L'écart de distance doit être le même à 1/8 "(0,32 cm).
3. Si la lame de la lame est toujours perceptible, l'échange de deux lames adjacentes (côté à côté) peut redistribuer le poids et éventuellement entraîner une opération plus douce. Avertissement: réduire le risque du personnel
Blessure, pas le double du bras de la lame pendant l'installation, équilibre le pales ou nettoyer le ventilateur. N'insérez pas d'objets étrangers entre les lames ventilateur tournant.



BRUIT

Lorsque vous êtes calme (surtout la nuit), vous pouvez écouter de petits bruits occasionnels. C'est normal. Prévoyez une période de «rupture» de 24 heures, la plupart des bruits associés à un nouveau ventilateur disparaissent pendant le temps.

Soins et nettoyage

1. Le nettoyage périodique de son ventilateur de plafond est le seul entretien requis. Utilisez une brosse douce ou un chiffon sans peluches pour éviter de gratter la finition de la peinture. Assurez-vous de tourner l'énergie de l'électricité avant de nettoyer votre ventilateur
2. N'utilisez pas d'eau lors du nettoyage de votre ventilateur de toit. Il pourrait endommager le moteur ou les lames et créer la possibilité d'un choc électrique.
3. Le moteur a un roulement à billes lubrifié en permanence. Il n'y a pas de besoin d'huile

Remarque: assurez-vous que l'énergie est désactivée dans la boîte du panneau électrique avant d'essayer de nettoyer ou de réparer.



Parrot Uncle