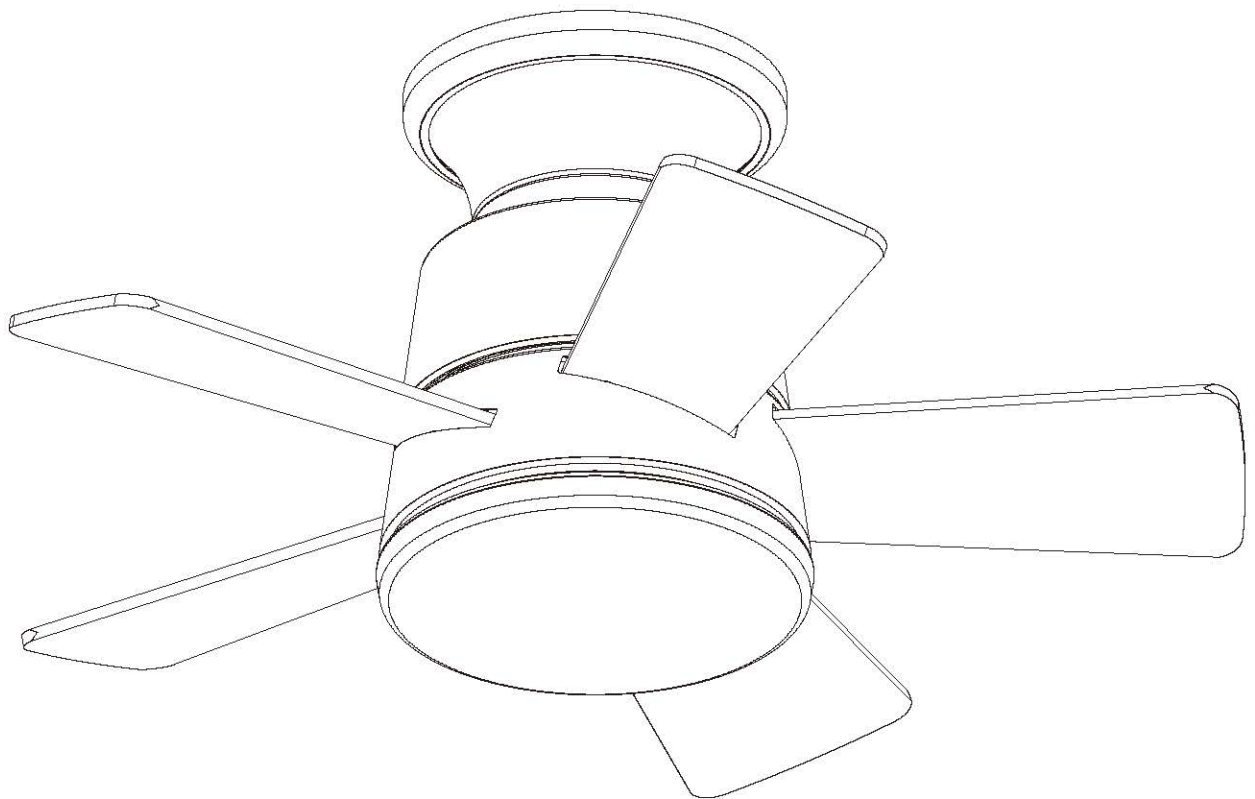




Parrot Uncle

F8283110V



English / Español / Français

www.parrotuncle.com



Parrot Uncle

F8283110V

**Installation & Operating Instructions for the
Parrot Uncle Owner's Installation, Manual**

WARNING: SHUT POWER OFF AT FUSE OR CIRCUIT BREAKER

Safety Information

1. To reduce the risk of electric shock, the electricity has been turned off at the circuit breaker or fuse box before begin.
2. All wiring must be in accordance with the National Electrical Code NASI/NFPA70-1999 and local electrical codes. Electrical installation should be performed by a qualified licensed electrician.
3. The outlet box and support structure must be securely mounted and capable of reliably supporting 35lb. (15.9kg). Use only UL listed outlet boxes marked "Acceptable for Fan Support of 35lbs (15.9kg) or less."
4. The fan must be mounted with a minimum of 7 ft. (2.1m) clearance from the trailing edge of the blades to the floor.
5. Do not operate the reversing switch while the fan blades are in motion. You must turn the fan off and stop the blades before you reverse the blade direction.
6. Do not place objects in the path of the blades.
7. To avoid personal injury or damage to the fan and other items, please be careful when working around or cleaning the fan.
8. Electrical diagrams are for reference only. Light kits that are not packed with the fan must be UL-listed and marked suitable for use with the model fan you are installing. Switches must be UL General Use Switches. Refer to the instructions packaged with the light kits and switches for proper assembly.
9. After making electrical connections, spliced conductors should be turned upward and pushed carefully up into the outlet box. The wires should be spread apart with the grounded conductor and the equipment-grounding conductor on one side of the outlet box. and the ungrounded conductor on the other side of the outlet box.
10. All setscrews must be checked and retightened where necessary before installation.



WARNING: TO reduce the risk of personal injury, do not bend the blade brackets (also referred to as flanges) during assembly or after installation. Do not insert objects in the path of the blades.



WARNING: Remove the rubber motor stops on the bottom of the fan before installing the blades or testing the motor.



WARNING: To reduce the risk of fire or electric shock, do not use this fan with any solid-state speed control device.



WARNING: To avoid possible electric shock, turn the electricity off at the main fuse box before wiring. If you feel you do not have enough electrical wiring knowledge or experience, contact a licensed electrician.



WARNING: Electrical diagrams are for reference only. Optional use of any light kit shall be UL-listed and marked suitable for use with this fan.



WARNING: To reduce the risk of fire, electric shock, or personal injury, mount to outlet box marked "Acceptable for fan support of 35lbs. (15.9 kg) or less" and use the screws provided with the outlet box.

TECHNICAL INFORMATION

SKU	Nominal Voltage	Nominal output(motor)	light
F8283110V	120Vac	25W	18W

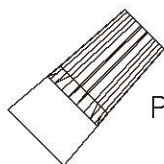


Parrot Uncle

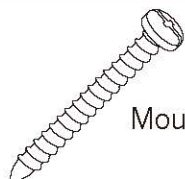
F8283110V

Installation & Operating Instructions for the Parrot Uncle Owner's Installation, Manual

WARNING: SHUT POWER OFF AT FUSE OR CIRCUIT BREAKER



Plastic wire nut (4PCS)



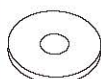
Mounting screws (2PCS)



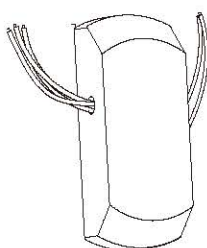
Blade screw (16PCS)



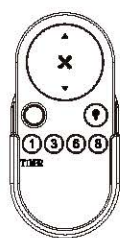
Screws (2PCS)



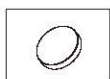
Washer (2PCS)



REMOTE CONTROL (1PC)

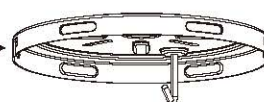


1 x 2

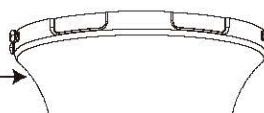


x6

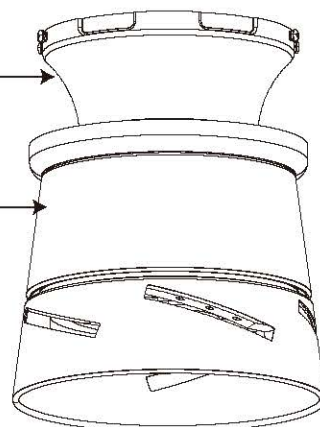
Ceiling Bracket



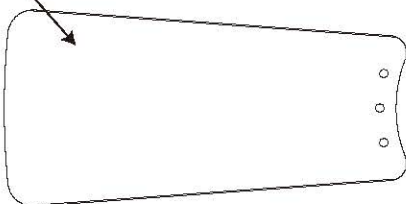
Mounting Bracket



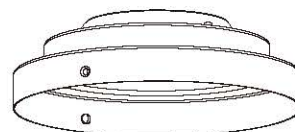
Motor Assembly



Blade (5PCS)



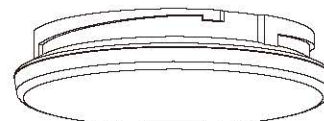
Switch Housing



Light kit



Shade



Pls check whether above accessories are completed or not?Yes,and install.



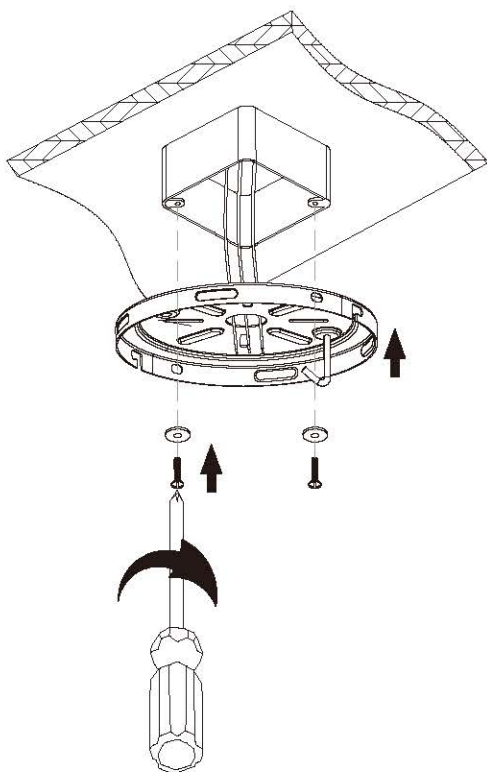
Parrot Uncle

F8283110V

Installation & Operating Instructions for the
Parrot Uncle Owner's Installation, Manual

WARNING: SHUT POWER OFF AT FUSE OR CIRCUIT BREAKER

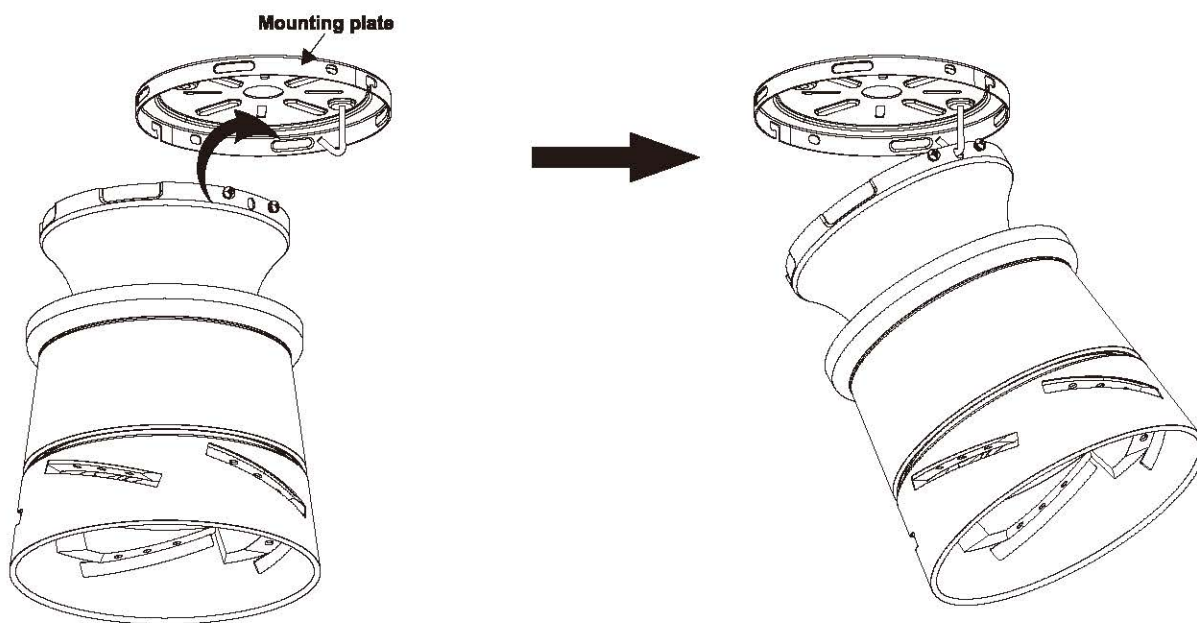
1



Check existing outlet box (not included) to ensure it is securely fastened to at least two points in a structural ceiling member and can support the full weight of the fan. Once verified, install ceiling plate to the outlet box using the screws and washers provided.

DANGER: A loose outlet box can cause the fan to wobble and increase the fan's potential to fall, which could result in serious injury or death.

2



Hang the motor assembly from the hook on the ceiling bracket assembly as shown. (Figure 2) You can now proceed with the electrical wiring of your fan.

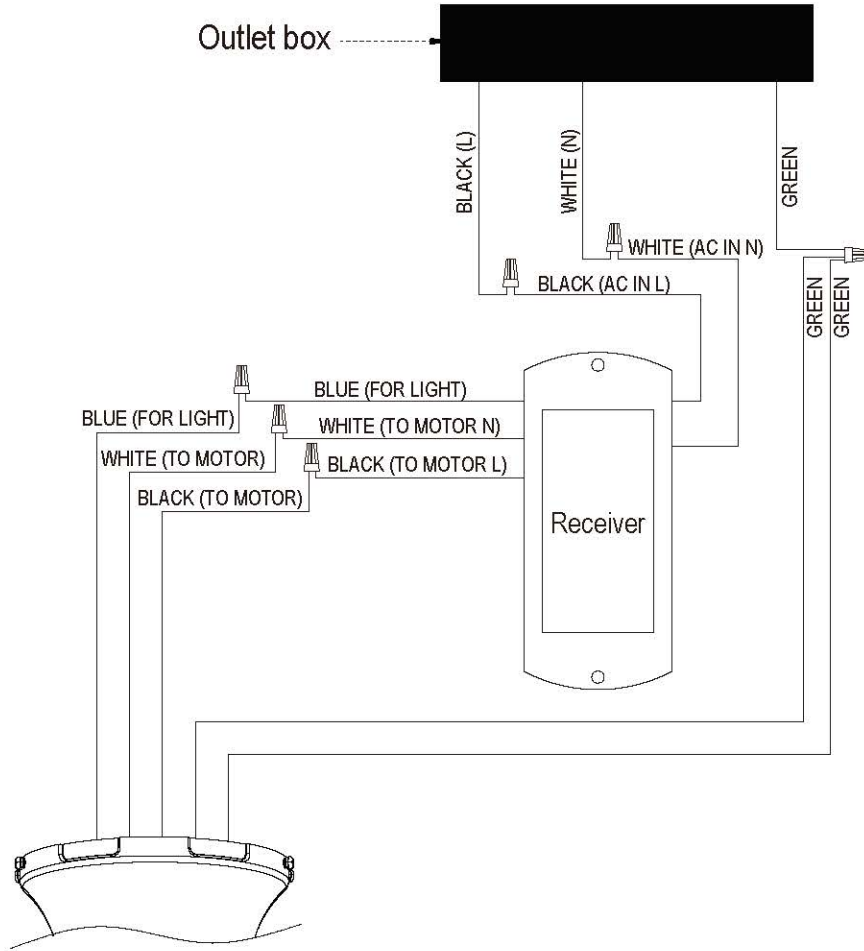


Parrot Uncle

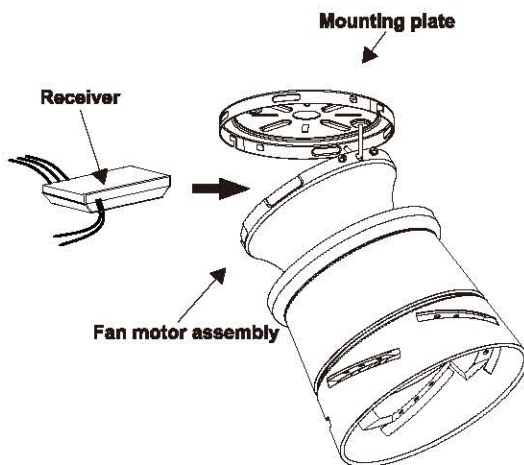
F8283110V

Installation & Operating Instructions for the Parrot Uncle Owner's Installation, Manual

WARNING: SHUT POWER OFF AT FUSE OR CIRCUIT BREAKER



Install remote control



After connections have been made, put the white and green leads to one side and the black leads towards the other side, the connection should be turned upward and carefully push leads into the outlet box.

The wires should be spread apart with the grounded conductor and the equipment-grounding conductor on one side of the outlet box and the ungrounded conductor on the other side.

LIGHT MUST BE KEPT AT THE ON POSITION

FAN MUST BE KEPT AT THE HIGH SPEED



Parrot Uncle

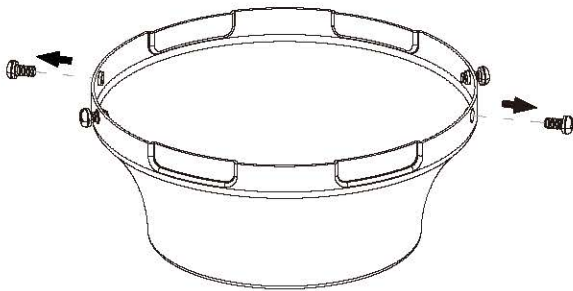
F8283110V

Installation & Operating Instructions for the
Parrot Uncle Owner's Installation, Manual

WARNING: SHUT POWER OFF AT FUSE OR CIRCUIT BREAKER

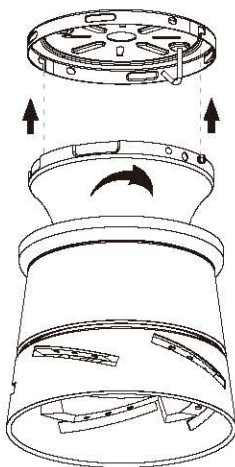
3

Remove and retain two opposing screws from the motor assembly, then loosen the remaining two screws.



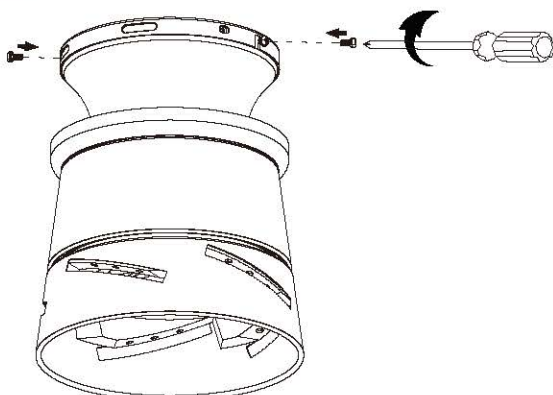
4

Mount your fan by sliding the motor assembly over the mounting bracket with the two loosened screws going into the "L" slots in the ceiling bracket. Be sure all wiring is tucked into the motor housing and is not pinched. Once the motor assembly is flush with your ceiling, turn clockwise to seat the screws into the keyed portion of the slot. Tighten the screws.



5

Assemble the motor assembly to ceiling bracket using the previously removed screws and securely tighten all screws.





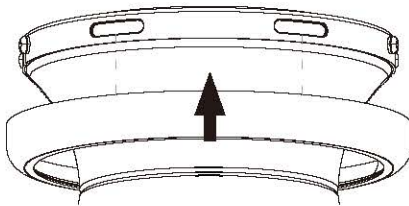
Parrot Uncle

F8283110V

Installation & Operating Instructions for the
Parrot Uncle Owner's Installation, Manual

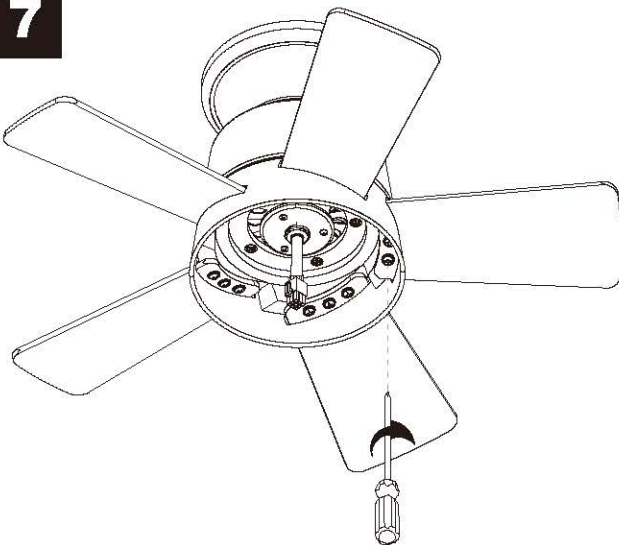
WARNING: SHUT POWER OFF AT FUSE OR CIRCUIT BREAKER

6



Please remove the flexible bushing prior to pushing the canopy trim ring up. Push the canopy trim ring up to conceal the screws, such that the mounting tabs seat into the dimpled grooves in the ceiling bracket midway between the screws.

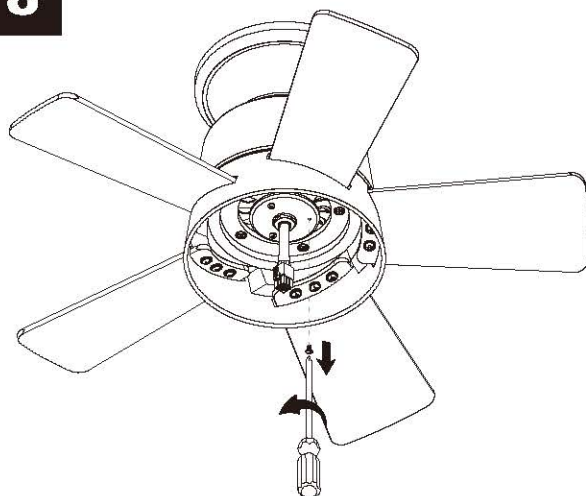
7



Slide blades through slots in motor housing and attach to the motor hub using screws. Make sure the screws securing the blades to the motor hub are tight and are properly seated.

NOTE: Periodically check blade hardware and resecure if necessary.

8



Remove one of the three screws in the support bracket at the bottom of the motor assembly. Retain the screw for later and slightly loosen the remaining two screws.



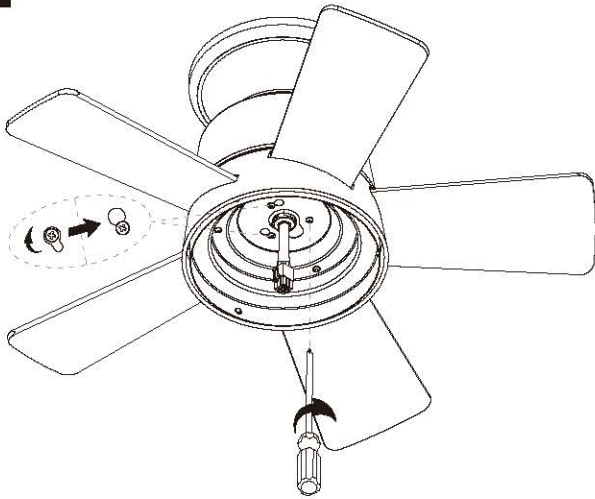
Parrot Uncle

F8283110V

Installation & Operating Instructions for the
Parrot Uncle Owner's Installation, Manual

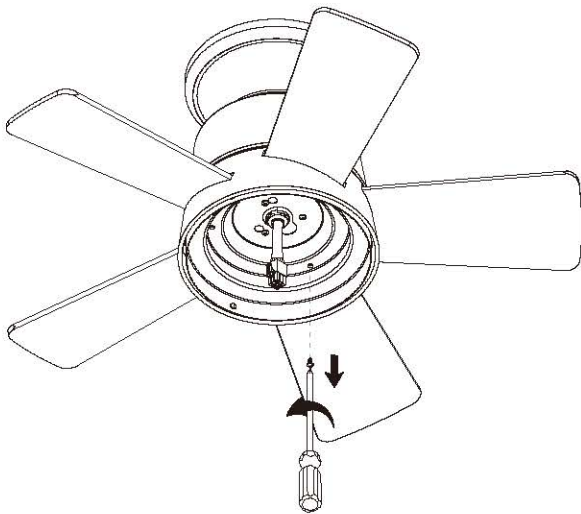
WARNING: SHUT POWER OFF AT FUSE OR CIRCUIT BREAKER

9



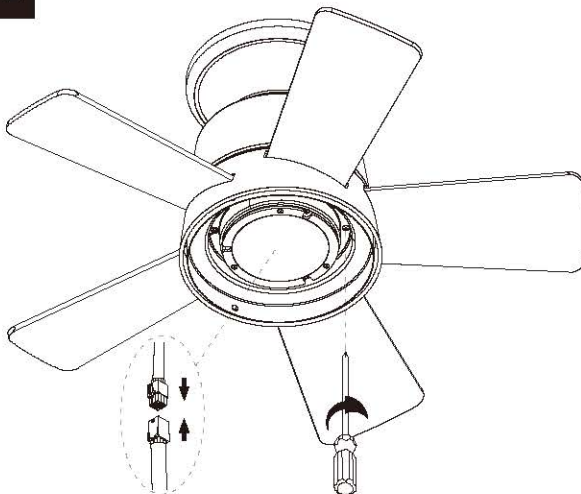
Assemble the switch housing to the support bracket using the two key slots in the switch housing. Replace the previously removed screw and securely tighten all three screws.

10



Remove the three screws preinstalled on the switch housing. Retain these screws for step 11.

11



Connect the wires from motor to the wires from the light kit by using the 9-pin molex plug . Replace the removed screws from Step 10 and secure all three screws.



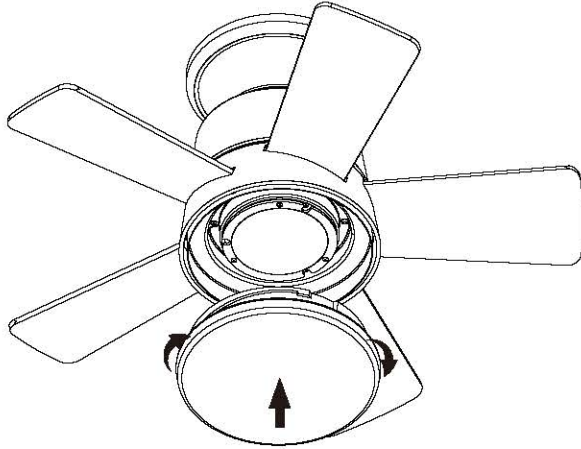
Parrot Uncle

F8283110V

Installation & Operating Instructions for the Parrot Uncle Owner's Installation, Manual

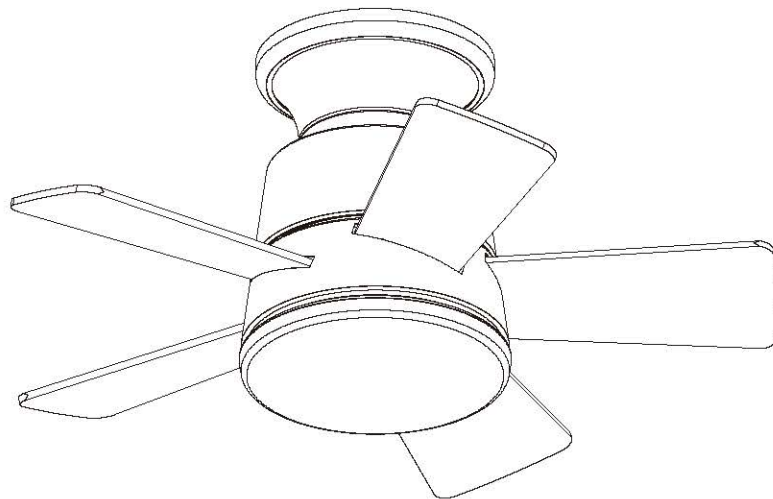
WARNING: SHUT POWER OFF AT FUSE OR CIRCUIT BREAKER

12



Secure the shade to switch housing by twisting in a clockwise direction. Twist the shade gradually until it snaps on to the switch housing. Do not over-tighten

Whole structure

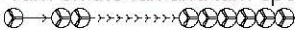


OPERATING YOUR FAN

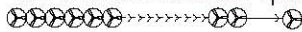
Turn on the power and check the operation of the fan.

Fan Speed:

▲ "Turn on the fan and turn speed up.

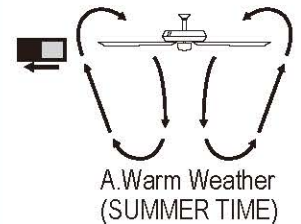
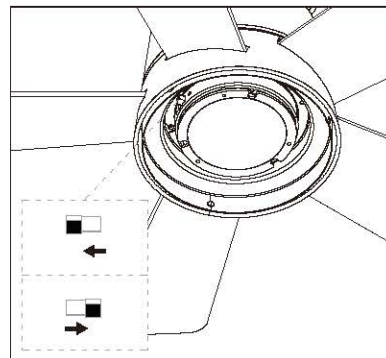


▼ "Turn on the fan and turn speed down.



The appropriate speed settings for warm or cool weather depends on factors such as the room size, ceiling height, and number of fans.

The slide switch controls the direction of the blades: forward (switch left) or reverse (switch right).



NOT: Wait for the fan to stop before reversing the direction of the blade rotation

A. warm weather-(Forward) A Downward airflow creates a cooling effect.

This allows you to set your air conditioner on a higher setting without affecting your comfort.

B. Cool weather-(Reverse) An upward airflow moves warm air off the ceiling area. This allows you to set heating unit on a lower setting without affecting your comfort.

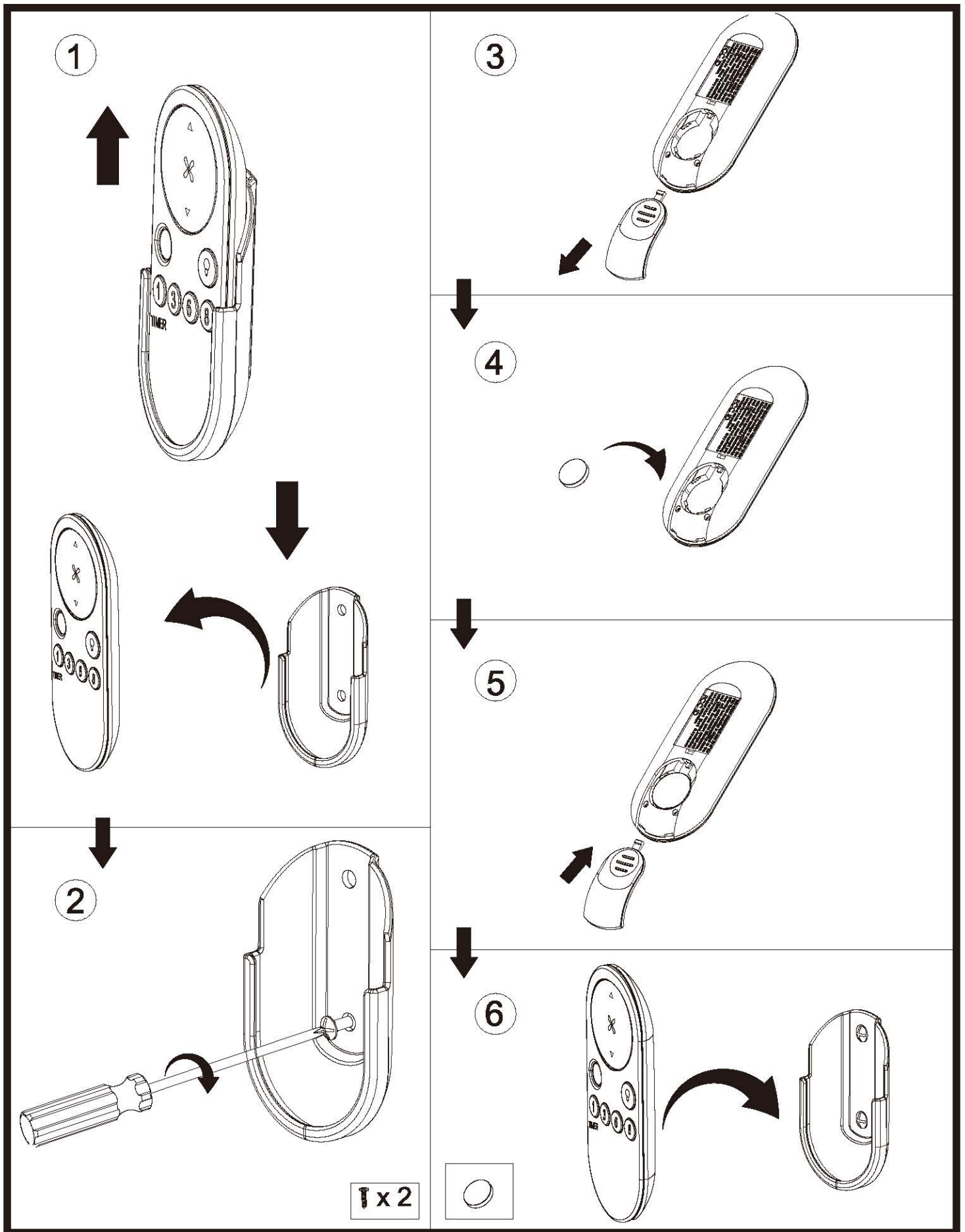


Parrot Uncle

F8283110V

Installation & Operating Instructions for the
Parrot Uncle Owner's Installation, Manual

WARNING: SHUT POWER OFF AT FUSE OR CIRCUIT BREAKER





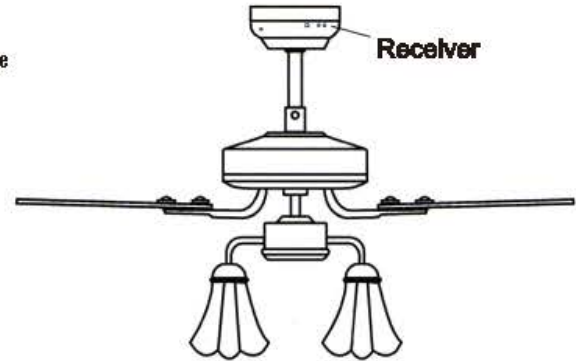
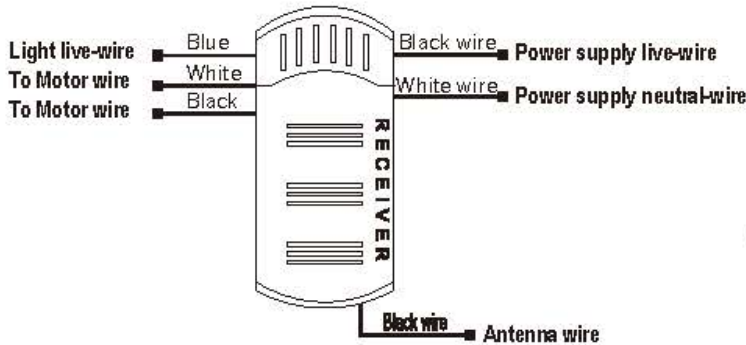
Parrot Uncle

F8283110V

Installation & Operating Instructions for the Parrot Uncle Owner's Installation, Manual

WARNING: SHUT POWER OFF AT FUSE OR CIRCUIT BREAKER

WIRING SCHEMATIC DIAGRAM FOR RECEIVER

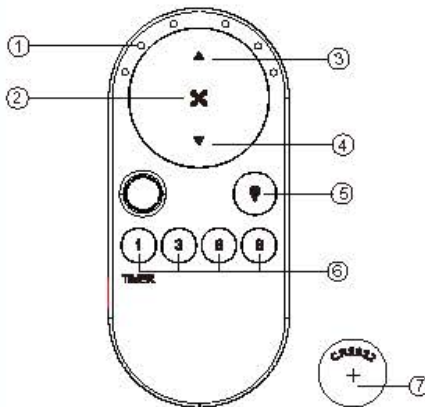


POWER PARAMETER LIST

Voltage	Fan (max.)	Lamp (max.)
120 V	25W	18W

Adopt RF wireless digit emission technique, biunique controlled , coincident code rate is less than one millionth. (Emitter and receiver must be sent back to factory for maintenance if damaged.) Receiver can be controlled by any angles of the emitter in prescriptive space, unrestricted by direction. With the memory function, the controller can save the status(light and direction) while the supply power OFF and resume to the original after reload the power supply.

FUNCTION INSTRUCTION OF EMITTER



- ① LED indicated light
- ② ON/OFF the fan
- ③ Turn up the speed of the fan
- ④ Turn down the speed of the fan
- ⑤ Short press: ON/OFF the light
Long press: Adjust the brightness of the light
- ⑥ Timing control of the fan
- ⑦ 3V CR2032 battery X 1pcs

- a. **⚠ WARNING: Chemical Burn Hazard.** Keep batteries away from children.
- b) This product contains a lithium button/coin cell battery. If a new or used lithium button/coin cell battery is swallowed or enters the body, it can cause severe internal burns and can lead to death in as little as 2 hours. Always completely secure the battery compartment. If the battery compartment does not close securely, stop using the product, remove the batteries, and keep it away from children. If you think batteries might have been swallowed or placed inside any part of the body, seek immediate medical attention.
- c) The cells shall be disposed of properly, including keeping them away from children; and
- d) Even used cells may cause injury

KINDLY REMINDERS:

1. If the emitter can not control the fan, learning code matching mode is used between emitter and receiver. Turn "ON" the supply power within 30 seconds and press the emitter's "X" button for 5 seconds, it can load normally after hearing a long sound "bee", which means learning successfully and it can works normally. **(PS: Learning mode is not accepted after turn "ON" the supply power for 30 seconds)**
2. When the emitter cannot control the receiver, please check the battery switch touching normally or not, correction of the positive and negative, full or empty of the power.
3. When the emitter cannot control the receiver, please check is there any existence of similar remote controlled products nearby, then check whether they works, because remote controlled product with the same frequency will disturb each other.
4. Low voltage of battery will affect the sensitivity of the emitter and the signal reception accordingly(the indicated light will flash out its warning when the battery get low voltage), must replace if the battery is getting low voltage.
5. Please take out the battery from the emitter when leaving unused for long time.
6. The maximum load of lighting see the above"POWER PARAMETER LIST"
PS: please connect the ground wire correctly, otherwise it may cause the light micro-light or flash
7. When installing the fan, the fan ceiling cover don't press the antenna (or other wire), it is easy to breakdown the wire and short-circuited.



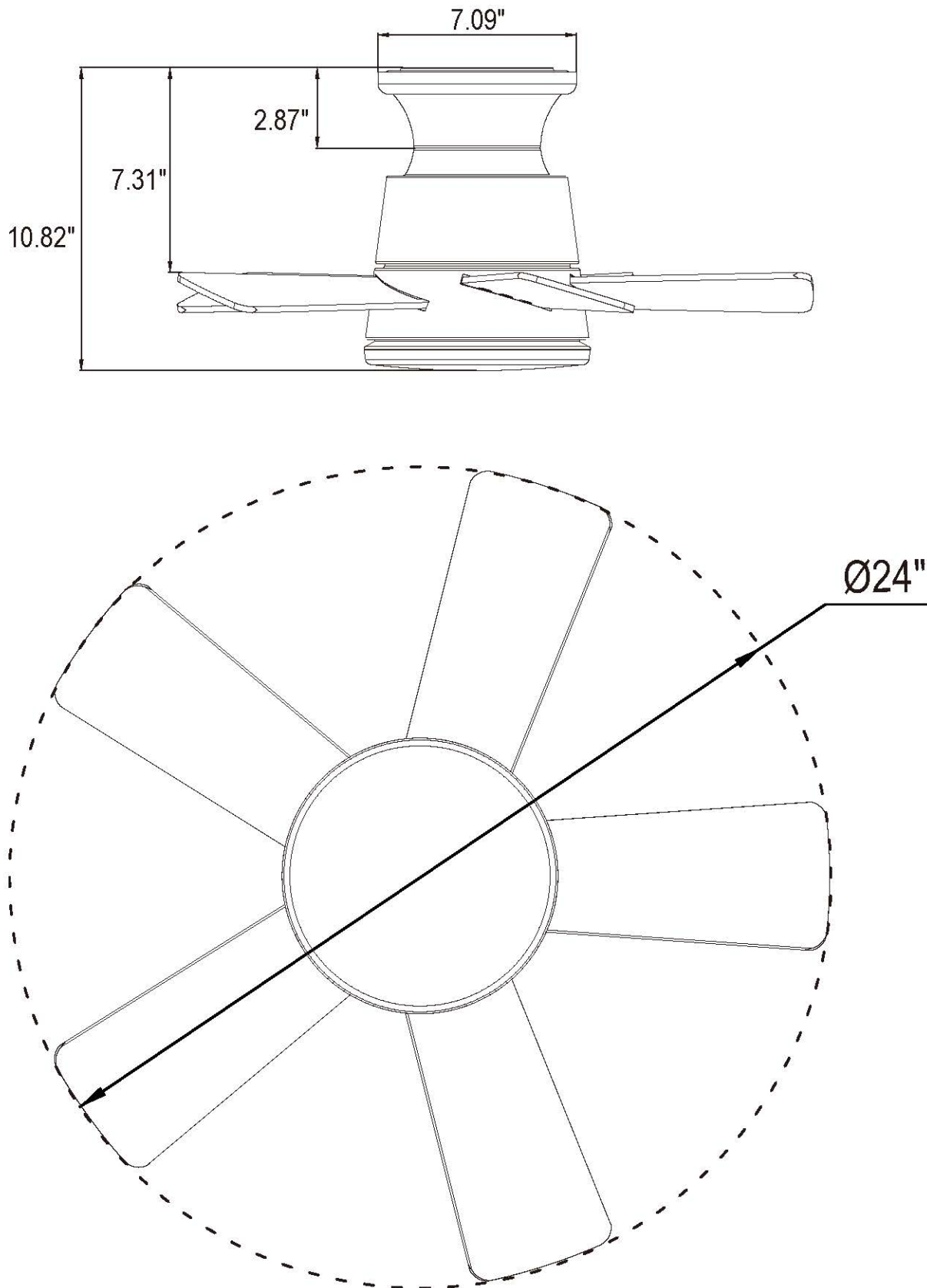
Parrot Uncle

F8283110V

Installation & Operating Instructions for the
Parrot Uncle Owner's Installation, Manual

WARNING: SHUT POWER OFF AT FUSE OR CIRCUIT BREAKER

SIZE OF PRODUCT





F8283110V

Installation & Operating Instructions for the
Parrot Uncle Owner's Installation, Manual

WARNING: SHUT POWER OFF AT FUSE OR CIRCUIT BREAKER

TROUBLESHOOTING GUIDE

1. FAN / REMOTE IS NOT WORKING

Ensure the remote is within the 20 foot range of the receiver
To reset the remote control: 1) Turn off power to fan using the wall switch or circuit breaker.
2) Remove batteries from remote. 3) Wait 10 seconds. 4) Replace batteries and turn power on
Check batteries to insure they are good and oriented correctly
Check to make sure the frequency switches (DIP Switches) from the remote to the receiver are set to the same frequency
Check the main and branch circuit fuses or breakers
If using a Variable Speed Wall Switch, ensure it is specifically designed for use with a ceiling fan.
Check the line wire connections to the fan and the switch wire connections in the switch housing per the instructions
If fan still does not work, please contact Customer Service Support@Parrot Uncle.com

2. THE FAN IS NOISY

Make sure all motor housing screws are tight
Make sure the screws that attach fan blade to motor are tight
Make sure the wire nut connectors are not rattling against each other or the interior wall of the switch housing
Allow 24-hour break in period. Most noises associated with the new fan may disappear during this time
if using a ceiling light kit, make sure the glassware is secured tightly
Make sure there is a short distance/gap from the ceiling to the top of the canopy. The canopy should not touch the ceiling!
Make sure your ceiling box is secure and that the rubber insulating pads are used between the mounting bracket and outlet box

3. THE FAN WOBBLES

Verify all blades and blade bracket screws are secure (most fan wobble problems are caused by loose parts). Once fan is properly installed, run the ceiling fan for 10 minutes to let the fan self-adjust.
If wobble occurs after running the fan for 10 minutes, verify blade level using the following process: a) select a point on the ceiling above the tip of one of the blades. Then select the fan blade and measure from the center of the selected blade to point on the ceiling. Rotate the fan until the next blade is positioned and repeat the measurement using the same point from the ceiling for every blade. Measurements should be within 1/8 inch. b) If all deviation are less than 1/8 inch and the fan continues to wobble, please contact Customer Service Support@parrot Uncle.com to order a complimentary Blade Balancing Kit
-If all deviation are less than 1/8 inch and the fan continues to wobble, please contact Customer service Support@Parrot Uncle.com to order a complimentary Blade Balancing Kit.

4. LIGHT IS NOT WORKING

Loose electrical connections.
Shut off the branch circuit electricity at the fuse box or breaker panel and check the LED light fixture assembly electrical connectors for proper installation.
To reset the remote control: 1) Turn off power to fan using the wall switch or circuit breaker. 2) Remove batteries from remote. 3) wait 10 seconds. 4) Replace batteries and turn power on



F8283110V

Installation & Operating Instructions for the
Parrot Uncle Owner's Installation, Manual

WARNING: SHUT POWER OFF AT FUSE OR CIRCUIT BREAKER

AFTER INSTALLATION

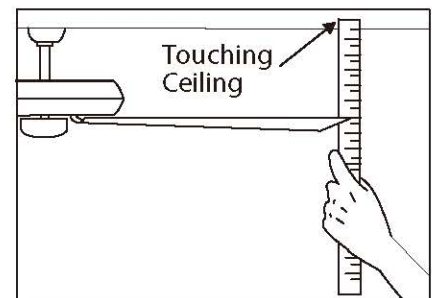
Wobble

The fan blades have been adjusted in the factory to minimize any wobble

Note: ceiling fans tend to move during operation due to the fact that they are mounted on a rubber grommet. If the fan was mounted rigidly to the ceiling, It would cause excess vibration. Movement of A few centimeters is quite acceptable and does not suggest any problem to reduce the fan Wobble: Please check that all screws which secured the mounting bracket and downrod are secure.

Balancing a wobbling ceiling fan:

1. Check that all blade and blade arm screws are secure.
2. Most fan wobbling problems are caused when blade levels are unequal. Check this level by electing a point on the ceiling above the tip of one of the blades. Measure this distance. Rotate the fan until the next blade is positioned for measurement. Repeat for each blade. The distance deviation should be equal within 1/8"(0.32cm).
3. If the blade wobble is still noticeable, Interchanging two adjacent (side by side) blades can redistribute the weight and possibly result in smoother operation.



Warning: To reduce the risk of personal injury, Do not bend the blade arm while installing, Balancing the blades, or cleaning the fan. Do not insert foreign objects between rotating fan blades.

Noise

When it is quiet (especially at night) you may hear occasional small noises. This is normal.

Please allow a 24-hour "breaking-in" period, Most noises associated with a new fan disappear during the time.

Care and cleaning

1. Periodic cleaning of your ceiling fan is the only maintenance required. Use a soft brush or lint free cloth to avoid scratching the paint finish. Please make sure to turn off electricity power before you clean your fan
2. Do not use water when cleaning your ceiling fan. It could damage the motor or the blades and create the possibility of an electrical shock.
3. Motor has permanently lubricated ball bearing. No need to oil.

Note: Make sure the power is off at the electrical panel box before you attempt any cleaning or repairs.



Parrot Uncle

F8283110V

Instrucciones de instalación y funcionamiento del Propietario Instalación de Parrotuncle, manue

ADVERTENCIA: DESCONECTE LA ALIMENTACIÓN EN EL FUSIBLE O DISYUNTOR

Información de seguridad

1. Para reducir el riesgo de descarga eléctrica, debe desconectarse la electricidad del interruptor de protección o de la caja de seguridad antes de arrancar.
2. Todo el cableado debe cumplir el Código Eléctrico Nacional NASI/NFPA 70-1999 y las normativas eléctricas locales. La instalación eléctrica debe ser realizada por un electricista cualificado y autorizado.
3. La caja de conexiones y la estructura de soporte deben estar montadas de forma segura y deben poder transportarse de forma fiable con un peso de 15,9 kilos. Utilice únicamente cajas de conexión marcadas con "Aceptado para ventiladores con un peso igual o inferior a 35 libras (15,9 kilos)".
4. El ventilador debe instalarse con una distancia mínima de 2,1 m entre el borde posterior de las aletas y el suelo.
5. No accione el interruptor de marcha atrás si las aspas del ventilador están en movimiento. Debe apagar el ventilador y detener las aspas antes de invertir la dirección de las aspas.
6. No coloque ningún objeto en la trayectoria de las alas.
7. Para evitar lesiones o daños al ventilador y a otros objetos, tenga cuidado cuando trabaje o limpie el ventilador.
8. Los diagramas eléctricos son sólo para referencia. Los tipos de iluminación no suministrados con el ventilador deben estar listados y marcados con el modelo de válvula que se instalará para su uso. Los interruptores deben ser interruptores UL de uso general. Observe las instrucciones para una instalación adecuada incluidas con los índices de iluminación y los interruptores.
9. Una vez realizadas las conexiones eléctricas, se debe dar la vuelta a la escalera de poda e introducirla cuidadosamente en la caja de enchufes. Los cables deben tenderse de forma que el conductor de puesta a tierra y la cabeza del aparato queden cerca del enchufe.

Antes de la instalación, compruebe todos los tornillos de fijación y, si es necesario, apriéte los.



ADVERTENCIA:

Para reducir el riesgo de lesiones, los soportes de las cuchillas (también conocidos como abrazaderas) no deben doblarse durante ni después de la instalación. No coloque ningún objeto en la trayectoria de las aspas.



ADVERTENCIA:

Retire los ataques de goma del motor situados en la parte inferior del ventilador antes de montar las aspas o probar el motor.



ADVERTENCIA:

Para evitar el riesgo de incendio o descarga eléctrica, este ventilador no debe utilizarse con un variador de velocidad de estado sólido.



ADVERTENCIA:

Para evitar el riesgo de descarga eléctrica, desconecte la alimentación de la caja de seguridad principal antes de realizar el cableado. Si considera que no tiene suficientes conocimientos o experiencia en cableado eléctrico, póngase en contacto con un electricista autorizado.



ADVERTENCIA:

Los esquemas eléctricos son sólo de referencia. El uso opcional de un tipo de luz debe ser listado y marcado con este ventilador para su uso.



ADVERTENCIA:

Para reducir el riesgo de incendio, descarga eléctrica o lesiones, conecte el aparato a una toma de corriente que esté marcada como aceptada para ventiladores de 35 libras o menos. Está marcado y utilice los tornillos suministrados con el enchufe.

INFORMACIÓN TÉCNICA

SKU	Tensión nominal	Potencia nominal (motor)	Iluminación
F8283110V	120Vac	25W	18W

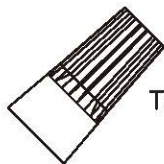


Parrot Uncle

F8283110V

Instrucciones de instalación y funcionamiento del Propietario Instalación de Parrotuncle, manue

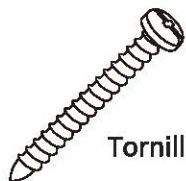
ADVERTENCIA: DESCONECTE LA ALIMENTACIÓN EN EL FUSIBLE O DISYUNTOR



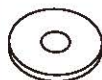
Tuerca de alambre de plástico (4pzas)



Tornillos (2pzas)



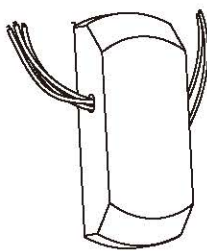
Tornillos de montaje (2pzas)



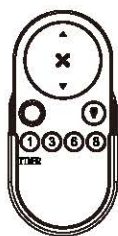
Arandela (2pzas)



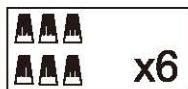
Tornillo de la cuchilla (16pzas)



MANDO A DISTANCIA (1pza)

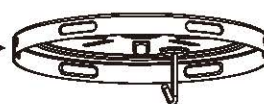


1 x 2



x6

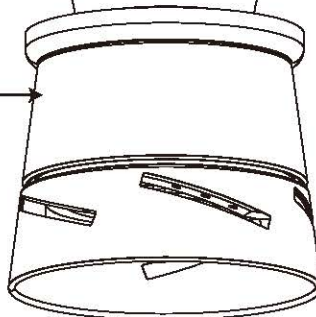
Soporte de techo



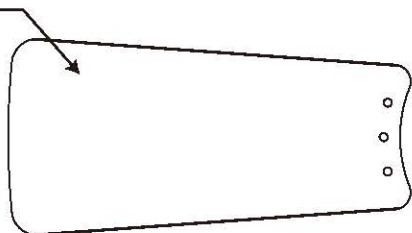
Soporte de montaje



Conjunto motor



Cuchillas (5pzas)



Carcasa del interruptor



Kit de luz



Pantalla de lámpara



Compruebe si los accesorios anteriores están completos o no? Sí, e instálelos.



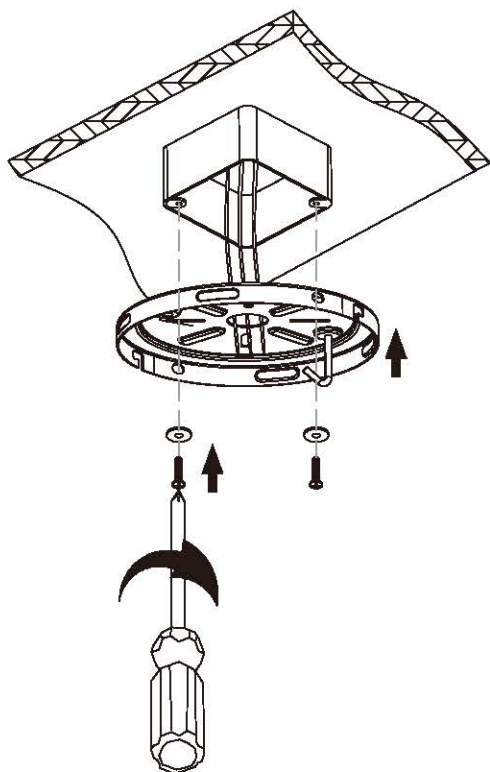
Parrot Uncle

F8283110V

Instrucciones de instalación y funcionamiento del
Propietario Instalación de Parrotuncle, manue

ADVERTENCIA: DESCONECTE LA ALIMENTACIÓN EN EL FUSIBLE O DISYUNTOR

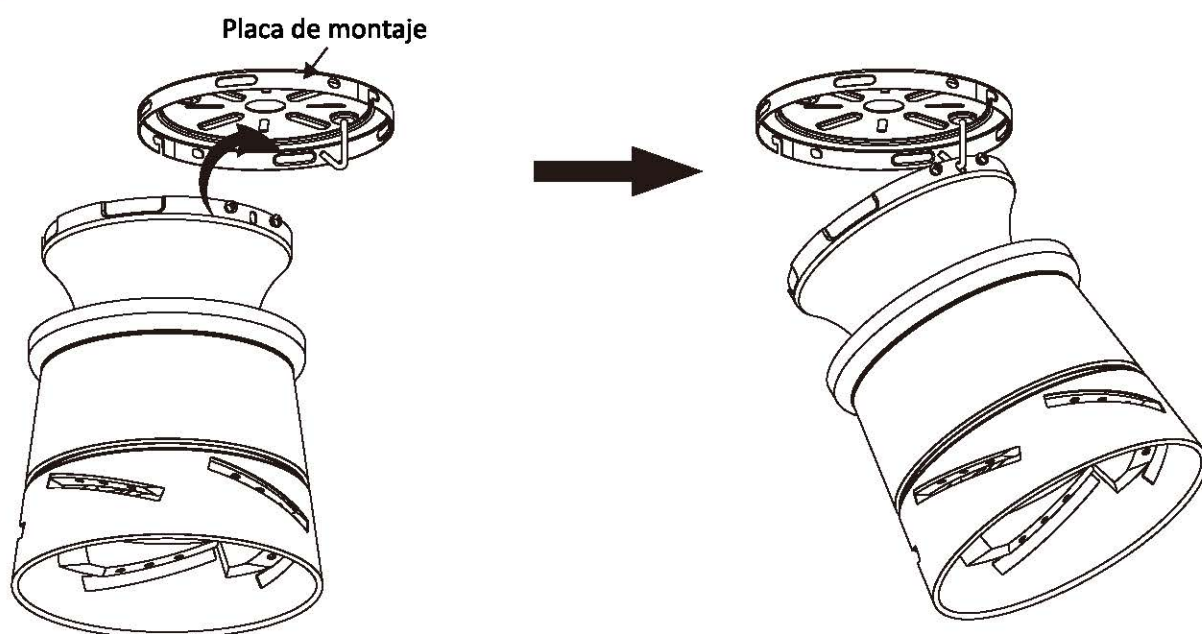
1



Compruebe la caja de salida existente (no incluida) para asegurarse de que está firmemente sujeta al menos a dos puntos de un elemento estructural del techo y que puede soportar todo el peso del ventilador. Una vez verificado, instale la placa del techo en la caja de salida utilizando los tornillos y arandelas suministrados.

PELIGRO: Una caja de salida suelta puede hacer que el ventilador se tambalee y aumentar la posibilidad de caída del ventilador, lo que podría provocar lesiones graves o la muerte.

2



Cuelgue el conjunto del motor del gancho del conjunto del soporte de techo, tal como se muestra. (Figura 2) Ahora puede proceder al cableado eléctrico de su ventilador.

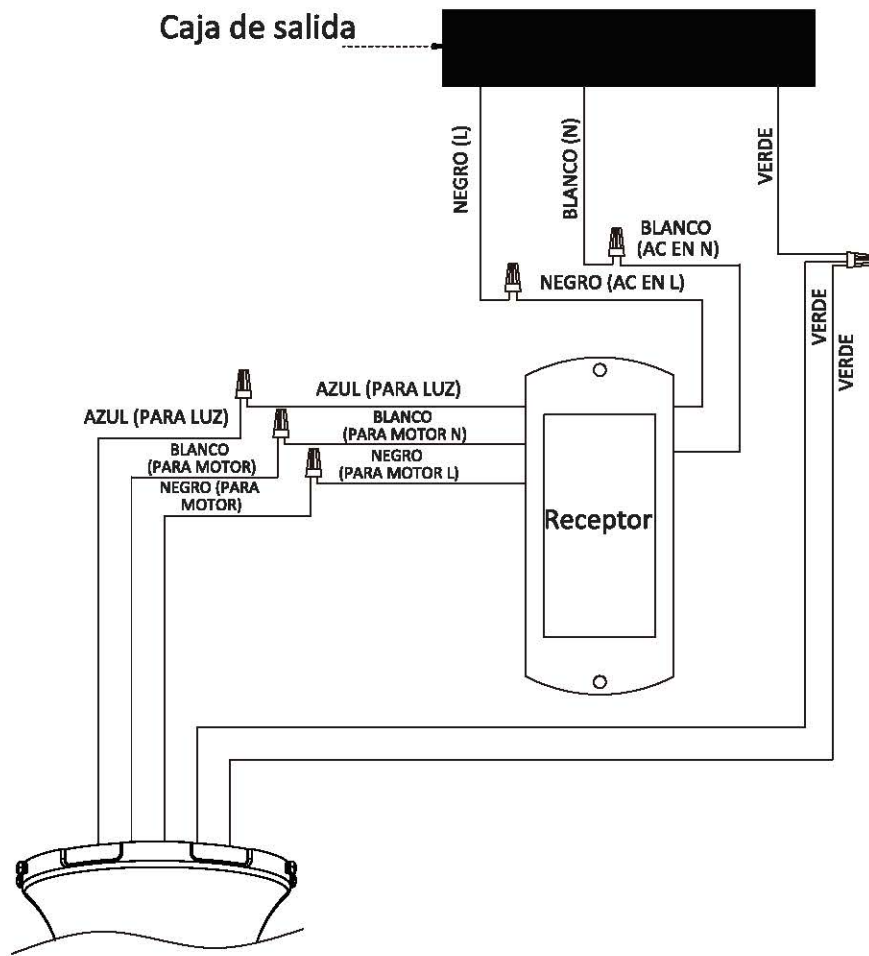


Parrot Uncle

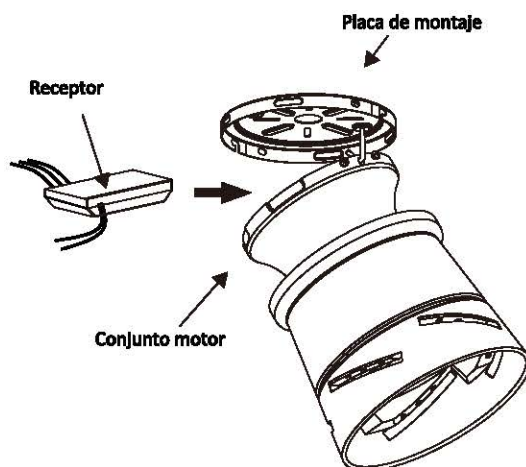
F8283110V

Instrucciones de instalación y funcionamiento del Propietario Instalación de Parrotuncle, manue

ADVERTENCIA: DESCONECTE LA ALIMENTACIÓN EN EL FUSIBLE O DISYUNTOR



Instalar el mando a distancia



Una vez realizadas las conexiones, coloque los cables blanco y verde hacia un lado y los cables negros hacia el otro lado, la conexión debe girarse hacia arriba y empuje con cuidado los cables hacia la caja de salida.

Los cables deben estar separados con el conductor de toma de tierra y el conductor de puesta a tierra del equipo en un lado de la caja de salida y el conductor sin conexión a tierra en el otro lado.

LA LUZ DEBE MANTENERSE ENCENDIDA

EL VENTILADOR DEBE MANTENERSE A ALTA VELOCIDAD



Parrot Uncle

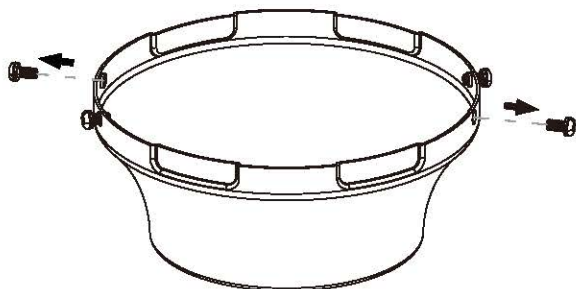
F8283110V

Instrucciones de instalación y funcionamiento del
Propietario Instalación de Parrotuncle, manue

ADVERTENCIA: DESCONECTE LA ALIMENTACIÓN EN EL FUSIBLE O DISYUNTOR

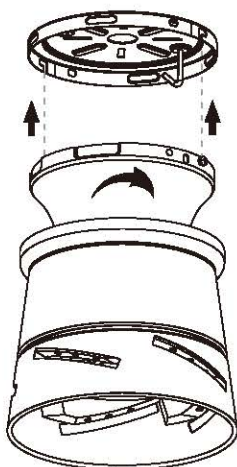
3

Retire y retenga dos tornillos opuestos del conjunto del motor y, a continuación, afloje los dos tornillos restantes.



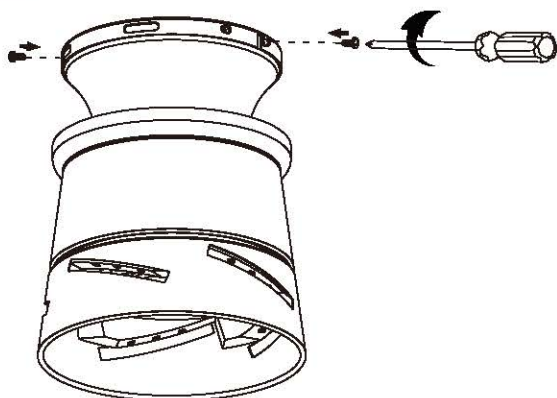
4

Monte el ventilador deslizando el conjunto del motor sobre el soporte de montaje con los dos tornillos aflojados en las ranuras en "L" del soporte de techo. Asegúrese de que todo el cableado está metido en la carcasa del motor y no está pellizcado. Una vez que el conjunto del motor esté a ras con el techo, gire en el sentido de las agujas del reloj para asentar los tornillos en la parte enchavetada de la ranura. Apriete los tornillos.



5

Monte el conjunto del motor en el soporte de techo utilizando los tornillos retirados anteriormente y apriete firmemente todos los tornillos.





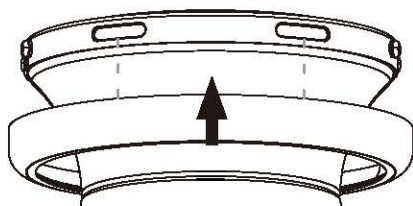
Parrot Uncle

F8283110V

Instrucciones de instalación y funcionamiento del
Propietario Instalación de Parrotuncle, manue

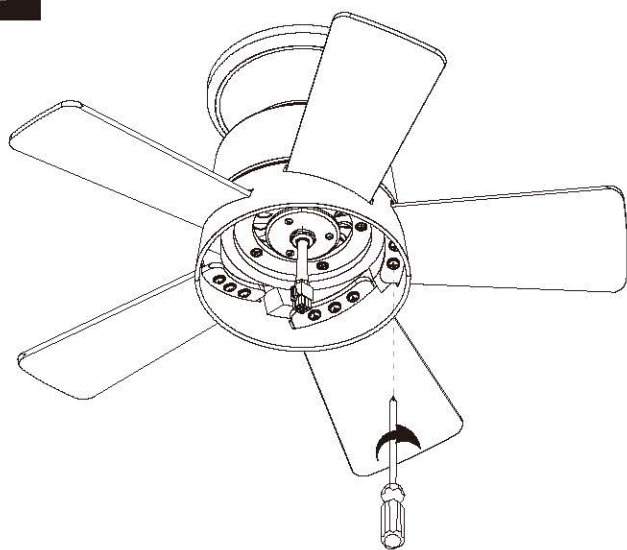
ADVERTENCIA: DESCONECTE LA ALIMENTACIÓN EN EL FUSIBLE O DISYUNTOR

6



Retire el casquillo flexible antes de empujar el anillo embellecedor del tejadillo hacia arriba. Empuje el anillo embellecedor de la capota hacia arriba para ocultar los tornillos, de modo que las lengüetas de montaje se asienten en las ranuras con hoyuelos del soporte de techo a medio camino entre los tornillos.

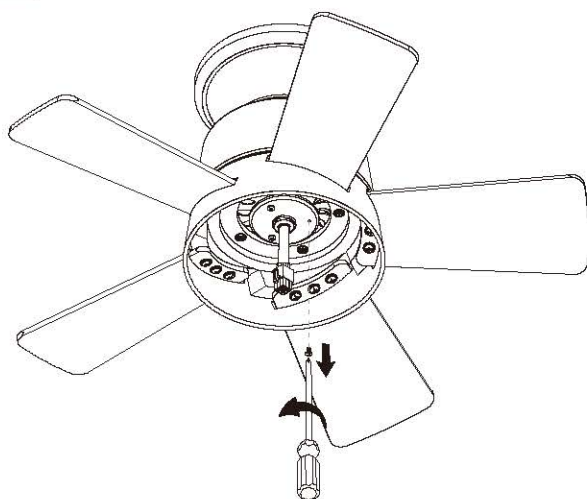
7



Deslice las palas por las ranuras de la carcasa del motor y fíjelas al cubo del motor con los tornillos. Asegúrese de que los tornillos que fijan las lamas al cubo del motor están bien apretados y asentados.

NOTA: Compruebe periódicamente la tornillería de las palas y vuelva a fijarla si es necesario.

8



Retire uno de los tres tornillos de la abrazadera de soporte situada en la parte inferior del conjunto del motor. Conserve el tornillo para más tarde y afloje ligeramente los dos tornillos restantes.



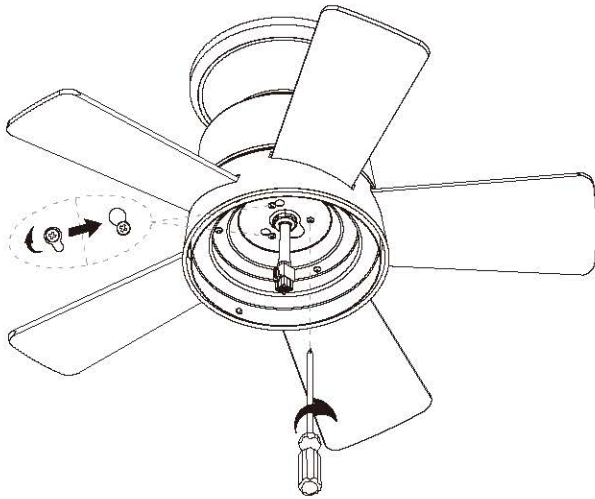
Parrot Uncle

F8283110V

Instrucciones de instalación y funcionamiento del
Propietario Instalación de Parrotuncle, manue

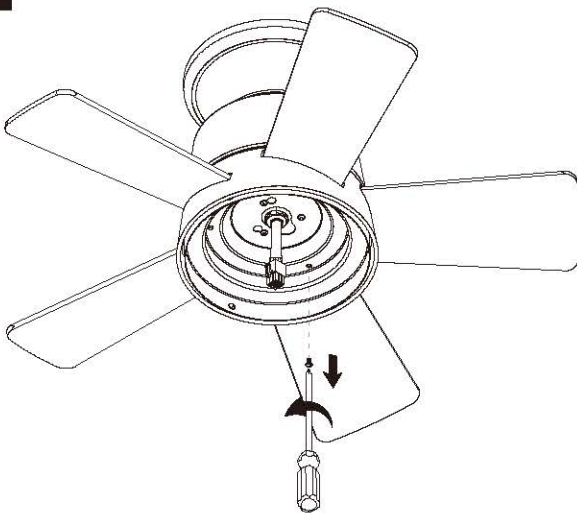
ADVERTENCIA: DESCONECTE LA ALIMENTACIÓN EN EL FUSIBLE O DISYUNTOR

9



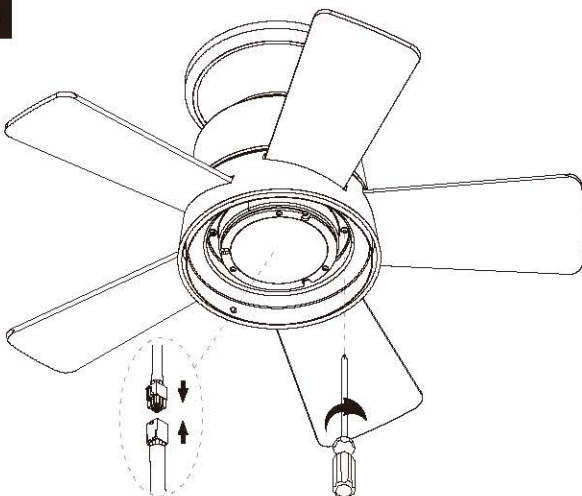
Monte la carcasa del interruptor en el soporte de apoyo utilizando las dos ranuras de llave de la carcasa del interruptor. Vuelva a colocar el tornillo retirado anteriormente y apriete firmemente los tres tornillos.

10



Retire los tres tornillos de la carcasa del interruptor. Consérvelos para el paso 11.

11



Conecte los cables del motor a los cables del kit de luces mediante el conector molex de 9 patillas. Vuelva a colocar los tornillos retirados del paso 10 y asegure los tres tornillos.



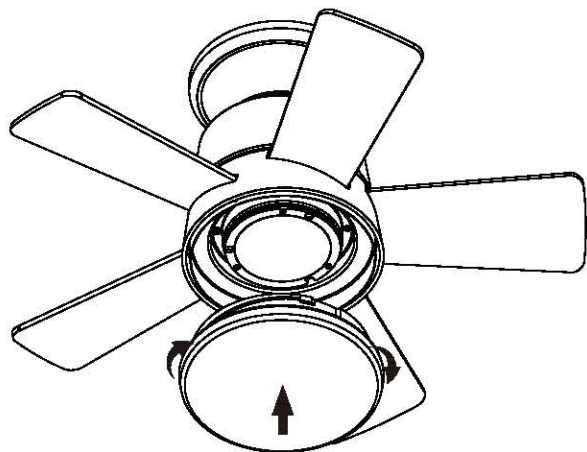
Parrot Uncle

F8283110V

Instrucciones de instalación y funcionamiento del Propietario Instalación de Parrotuncle, manue

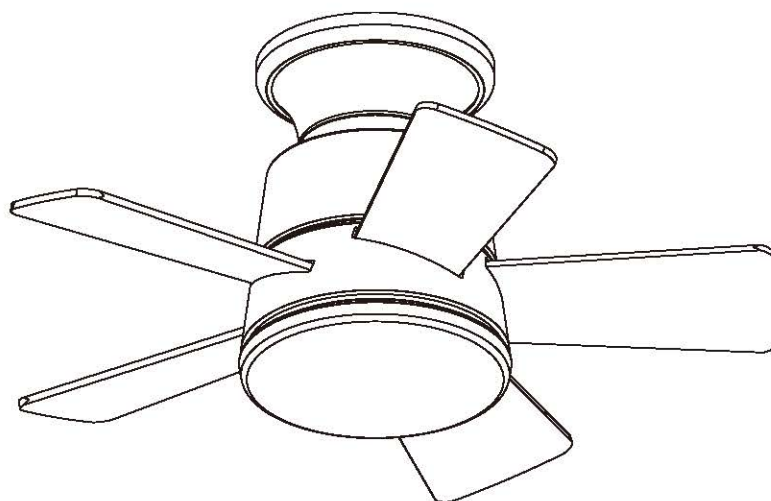
ADVERTENCIA: DESCONECTE LA ALIMENTACIÓN EN EL FUSIBLE O DISYUNTOR

12



Fije la pantalla a la carcasa del interruptor girándola en el sentido de las agujas del reloj. Gire la pantalla gradualmente hasta que encaje en la carcasa del interruptor. No apriete demasiado.

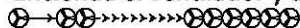
Toda la estructura



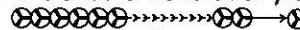
FUNCIONAMIENTO DEL VENTILADOR

Conecte la alimentación y compruebe el funcionamiento del ventilador. Velocidad del ventilador:

“▲” Encienda el ventilador y aumente la velocidad.



“▼” Encienda el ventilador y baje la velocidad.

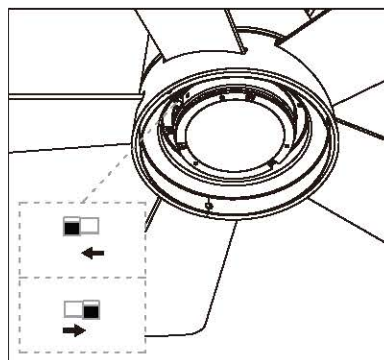


La velocidad adecuada para un clima cálido o frío depende de factores como el tamaño de la habitación, la altura del techo y el número de ventiladores.

El interruptor deslizante controla la dirección de las aspas: hacia delante (interruptor izquierdo) o hacia atrás (interruptor derecho).



NOTA: Espere a que el ventilador se detenga antes de invertir el sentido de giro de las aspas.



A. Clima cálido (TIEMPO DE VERANO)



B. Tiempo fresco (TIEMPO DE INVIERNO)

A. Tiempo cálido-(Hacia adelante) Un flujo de aire hacia abajo crea un efecto de enfriamiento. Esto le permite poner el aire acondicionado en un ajuste más alto sin afectar su comodidad.

B. Tiempo frío-(Hacia atrás) Un flujo de aire ascendente desplaza el aire caliente de la zona del techo. Esto le permite poner la unidad de calefacción en un ajuste más bajo sin afectar a su confort.

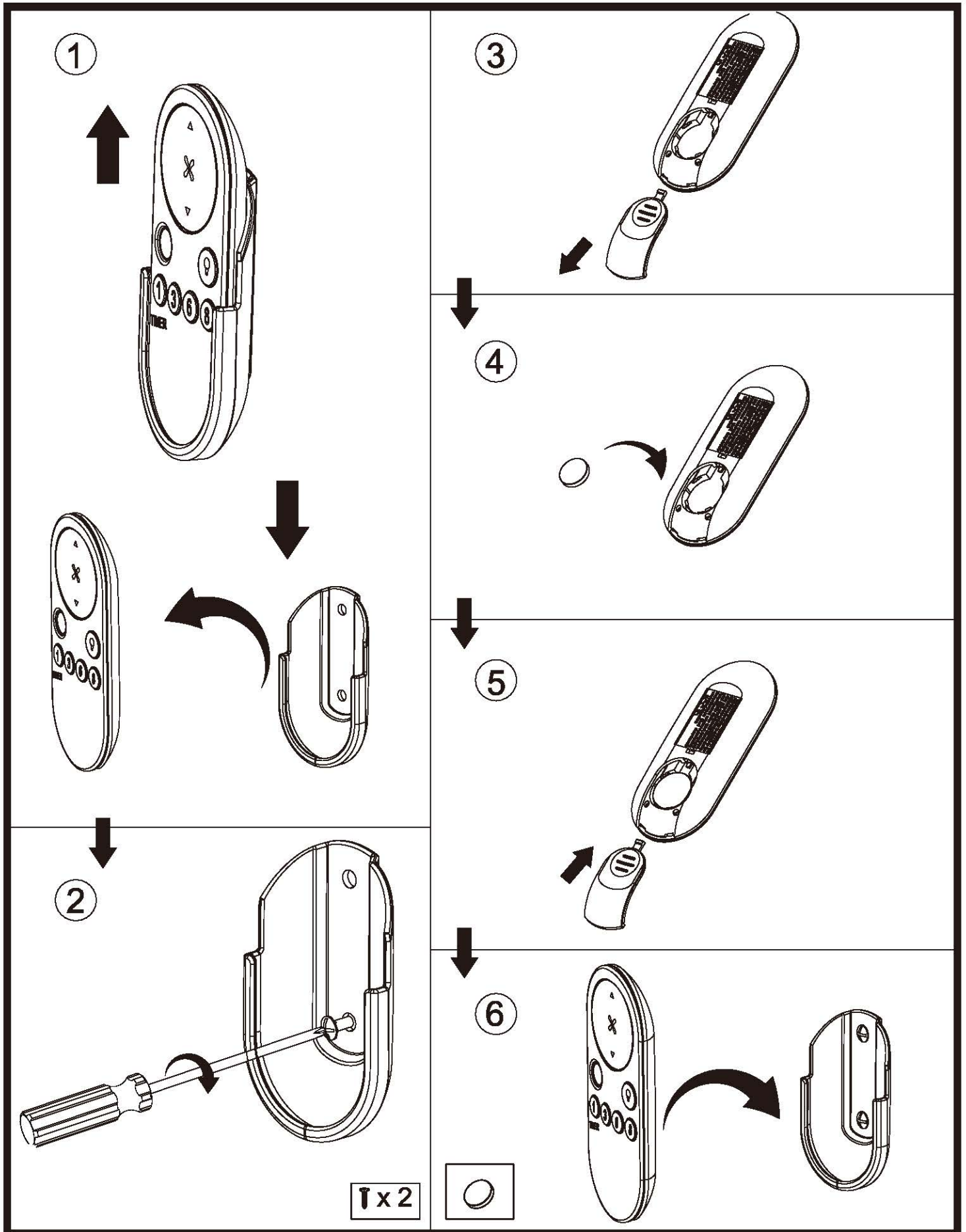


Parrot Uncle

F8283110V

Instrucciones de instalación y funcionamiento del
Propietario Instalación de Parrotuncle, manue

ADVERTENCIA: DESCONECTE LA ALIMENTACIÓN EN EL FUSIBLE O DISYUNTOR





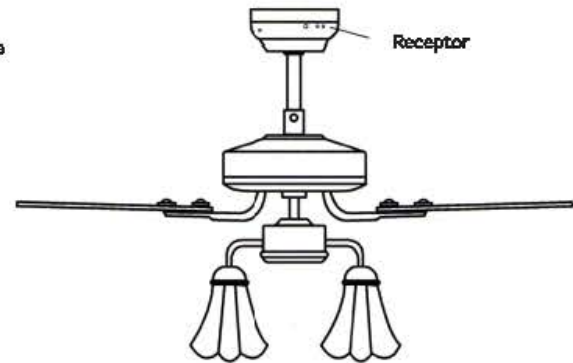
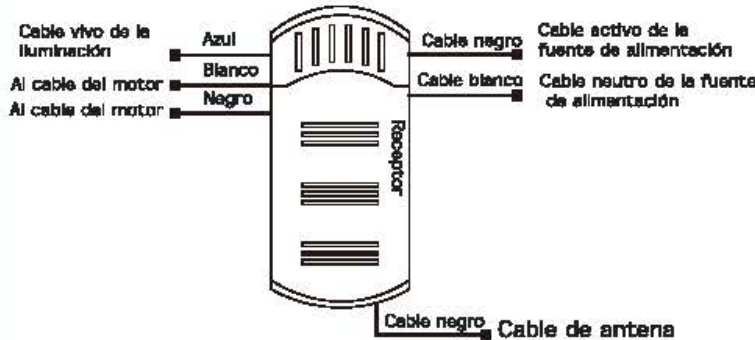
Parrot Uncle

F8283110V

Instrucciones de Instalación y funcionamiento del Propietario Instalación de Parrotuncle, manue

ADVERTENCIA: DESCONECTE LA ALIMENTACIÓN EN EL FUSIBLE O DISYUNTOR

ESQUEMA DE CONEXIÓN DEL RECEPTOR

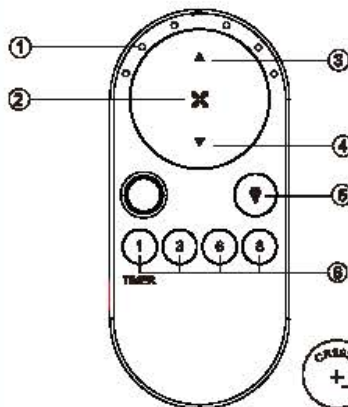


LISTA DE PARÁMETROS DE POTENCIA

Tensión	Ventilador (máx.)	Lámpara (máx.)
120 V	25W	18W

Adopta la técnica de emisión de dígitos inalámbricos RF, controlada biunívocamente, la tasa de códigos coincidentes es inferior a una millonésima. (El emisor y el receptor deben enviarse a fábrica para su mantenimiento si están dañados). El receptor puede ser controlado por cualquier ángulo del emisor en el espacio prescriptivo, sin restricción de dirección. Con la función de memoria, el controlador puede guardar el estado (luz y dirección) mientras la fuente de alimentación está apagada y reanudar al original después de recargar la fuente de alimentación.

INSTRUCCIÓN DE FUNCIÓN DEL TRANSMISOR



- ① Luz LED indicada
- ② Encendido/apagado del ventilador
- ③ Aumenta la velocidad del ventilador
- ④ Baje la velocidad del ventilador
- ⑤ Pulsación corta: Encendido/apagado de la luz
- ⑥ Control de temporización del ventilador
- ⑦ Pulsación larga: ajusta el brillo de la luz
- ⑦ 3V CR2032 batería X 1pza

- a) **ADVERTENCIA:** Peligro de quemaduras químicas. Mantenga las pilas fuera del alcance de los niños.
- b) Este producto contiene una pila de botón/moneda de litio. Si una pila de litio de botón/moneda nueva o usada se ingiere o entra en el cuerpo, puede causar quemaduras internas graves y provocar la muerte en tan sólo 2 horas. Asegure siempre completamente el compartimento de la pila. Si el compartimento de las pilas no cierra bien, deje de utilizar el producto, retire las pilas y manténgelo alejado de los niños.
- c) Si cree que las pilas han podido ser ingeridas o introducidas en cualquier parte del cuerpo, solicite atención médica inmediata.
- d) Las pilas deben desecharse correctamente, incluso manteniéndolas fuera del alcance de los niños.
- e) Incluso las pilas usadas pueden causar lesiones

RECORDATORIOS AMABLES:

1. Si el emisor no puede controlar el ventilador, se utiliza el modo de aprendizaje de código entre el emisor y el receptor.

Encienda la fuente de alimentación en 30 segundos y pulse el botón "X" del emisor durante 5 segundos, se puede cargar normalmente después de escuchar un sonido largo "bee", lo que significa que el aprendizaje se ha realizado con éxito y puede funcionar normalmente.

(PS: El modo de aprendizaje no se acepta después de encender "ON" la alimentación durante 30 segundos)

2. Cuando el emisor no puede controlar el receptor, por favor, compruebe el interruptor de la batería tocando normalmente o no, la corrección del positivo y negativo, lleno o vacío de la energía.

3. Si el emisor no puede controlar el receptor, compruebe si hay productos similares controlados a distancia en las proximidades y si funcionan, ya que los productos controlados a distancia con la misma frecuencia se perturbarán mutuamente.

4. Un voltaje bajo de la pila afectará a la sensibilidad del emisor y a la recepción de la señal (la luz indicadora parpadeará cuando la pila tenga un voltaje bajo), debe sustituir la pila si tiene un voltaje bajo.

5. Por favor, saque la batería del emisor cuando se deja sin usar durante mucho tiempo.

6. La carga máxima de iluminación se indica en la "LISTA DE PARÁMETROS DE ALIMENTACIÓN".

PS: por favor, conecte el cable de tierra correctamente, de lo contrario puede causar la luz micro-light o flash

7. Al instalar el ventilador, la cubierta del techo del ventilador no presione la antena (u otro cable), es fácil romper el cable y cortocircuito.



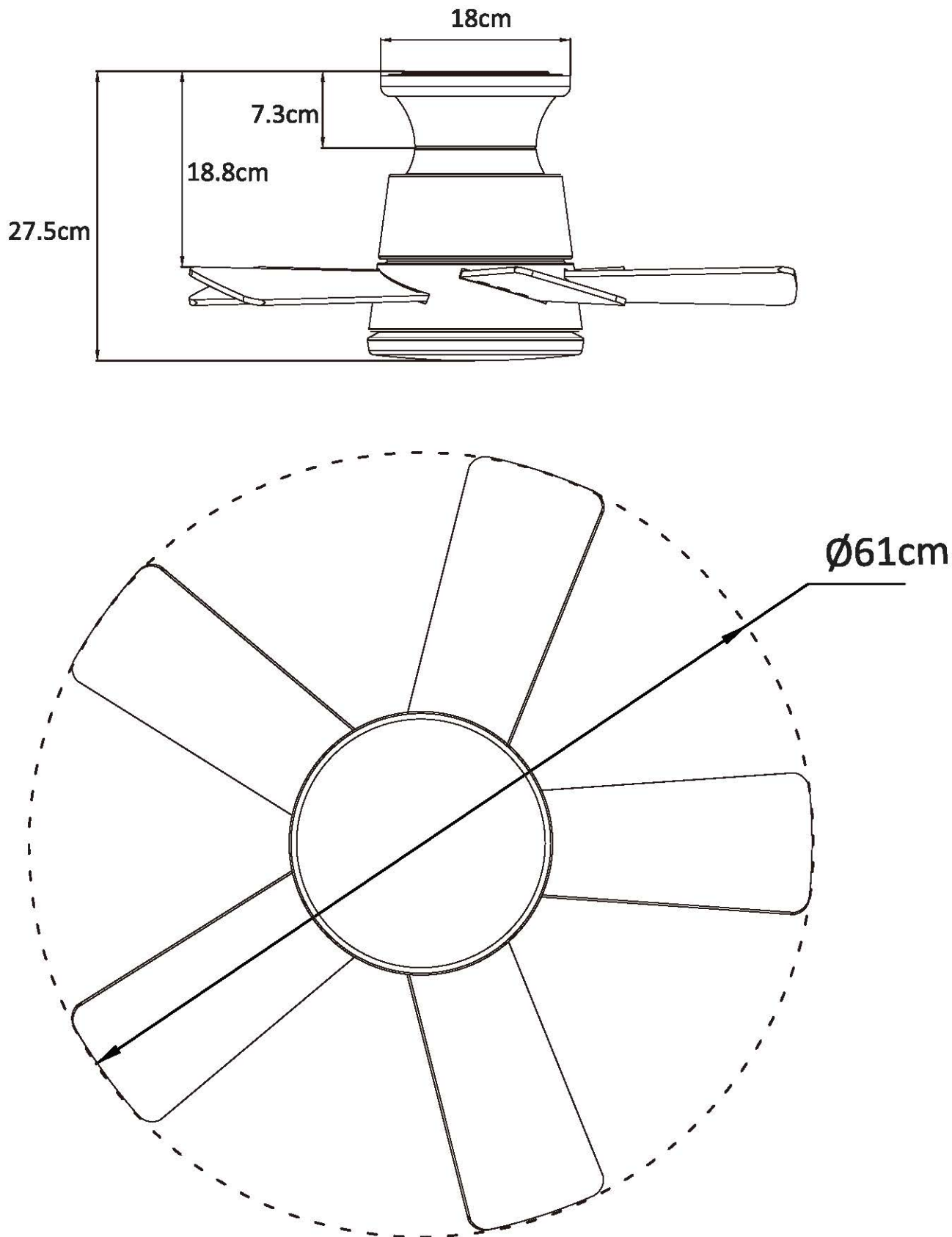
Parrot Uncle

F8283110V

Instrucciones de instalación y funcionamiento del
Propietario Instalación de Parrotuncle, manue

ADVERTENCIA: DESCONECTE LA ALIMENTACIÓN EN EL FUSIBLE O DISYUNTOR

TAMAÑO DEL PRODUCTO





Parrot Uncle

F8283110V

Instrucciones de instalación y funcionamiento del
Propietario Instalación de Parrotuncle, manue

ADVERTENCIA: DESCONECTE LA ALIMENTACIÓN EN EL FUSIBLE O DISYUNTOR

GUÍA DE SOLUCIÓN DE PROBLEMAS

1. VENTILADOR / EL MANDO A DISTANCIA NO FUNCIONA

Asegúrese de que el mando a distancia está dentro del alcance de 20 pies del receptor.

Para reiniciar el mando a distancia: 1) Desconecte la alimentación del ventilador mediante el interruptor de pared o el disyuntor.

2) Retire las pilas del mando a distancia. 3) Espere 10 segundos. 4) Vuelva a colocar las pilas y encienda el ventilador.

Compruebe que las pilas están en buen estado y correctamente orientadas.

Compruebe que los interruptores de frecuencia (interruptores DIP) del mando a distancia al receptor están en la misma frecuencia

Compruebe los fusibles o disyuntores del circuito principal y de los circuitos derivados.

Si utiliza un interruptor de pared de velocidad variable, asegúrese de que está diseñado específicamente para su uso con un ventilador de techo.

Compruebe las conexiones de los cables al ventilador y las conexiones de los cables del interruptor en la carcasa del interruptor siguiendo las instrucciones.

Si el ventilador sigue sin funcionar, póngase en contacto con el servicio de atención al cliente Support@Parrot Uncle.com

2. EL VENTILADOR HACE RUIDO

Asegúrese de que todos los tornillos de la carcasa del motor están apretados.

Asegúrese de que los tornillos que sujetan las aspas del ventilador al motor están apretados.

Asegúrese de que los conectores de las tuercas de los cables no chocan entre sí ni con la pared interior de la carcasa del interruptor.

Permita un periodo de rodaje de 24 horas. La mayoría de los ruidos asociados con el nuevo ventilador pueden desaparecer durante este tiempo.

si utiliza un kit de iluminación de techo, asegúrese de que la cristalería está bien sujeta

Asegúrese de que hay una corta distancia/espacio entre el techo y la parte superior de la campana. La cubierta no debe tocar el techo.

Asegúrese de que la caja del techo esté bien sujeta y de que se utilicen las almohadillas aislantes de goma entre el soporte de montaje y la caja de salida.

3. EL VENTILADOR SE TAMBALEA

Verifique que todas las aspas y los tornillos del soporte de las aspas estén bien sujetos (la mayoría de los problemas de bamboleo del ventilador son causados por piezas sueltas). Una vez que el ventilador esté instalado correctamente, haga funcionar el ventilador de techo durante 10 minutos para que el ventilador se autoajuste.

Si el ventilador se tambalea después de 10 minutos de funcionamiento, verifique el nivel de las aspas mediante el siguiente proceso:

a) seleccione un punto en el techo por encima de la punta de una de las aspas. A continuación, seleccione el aspa del ventilador y mida desde el centro del aspa seleccionada hasta el punto en el techo. Gire el ventilador hasta colocar el siguiente aspa y repita la medición utilizando el mismo punto del techo para cada aspa. Las mediciones deben estar dentro de 1/8 de pulgada.

b) Si todas las desviaciones son inferiores a 1/8 de pulgada y el ventilador sigue oscilando, póngase en contacto con el servicio de atención al cliente Support@parrot Uncle.com para solicitar un kit de equilibrado de palas gratuito.

-Si todas las desviaciones son inferiores a 1/8 de pulgada y el ventilador sigue tambaleándose, póngase en contacto con el servicio de atención al cliente Support@Parrot Uncle.com para solicitar un kit de equilibrado de palas gratuito.

4. LA LUZ NO FUNCIONA

1) Compruebe que las conexiones de los cables en la carcasa del interruptor están conectadas.

2) Compruebe si la luz está defectuosa.

3) Si el kit de luz sigue sin funcionar, póngase en contacto con un electricista cualificado para obtener ayuda.



Parrot Uncle

F8283110V

Instrucciones de instalación y funcionamiento del
Propietario Instalación de Parrotuncle, manue

ADVERTENCIA: DESCONECTE LA ALIMENTACIÓN EN EL FUSIBLE O DISYUNTOR

DESPUÉS DE LA INSTALACIÓN

OSCILACIÓN"

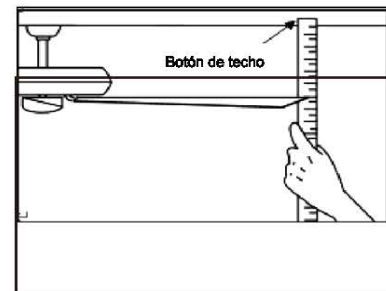
Las aspas del ventilador han sido ajustadas en fábrica para minimizar cualquier oscilación.

NOTA: LOS VENTILADORES DE TECHO TIENDEN A MOVERSE DURANTE SU FUNCIONAMIENTO PORQUE ESTÁN MONTADOS SOBRE UNA ARANDELA DE GOMA. SI EL VENTILADOR ESTUVIERA MONTADO RÍGIDAMENTE EN EL TECHO, PROVOCARÍA VIBRACIONES EXCESIVAS. UN MOVIMIENTO DE POCOS CENTÍMETROS ES PERFECTAMENTE ACEPTABLE Y NO PLANTEA NINGÚN PROBLEMA. PARA REDUCIR LA OSCILACIÓN DEL VENTILADOR: COMPRUEBE QUE TODOS LOS TORNILLOS QUE FIJARON EL MONTAJE EL SOPORTE Y LA VARILLA ESTÁN BIEN FIJADOS.

EQUILIBRAR UN VENTILADOR DE TECHO OSCILANTE:

1. Compruebe que todos los tornillos de las aspas y del brazo de las aspas están bien apretados.
2. La mayoría de los problemas de oscilación del ventilador se deben a un desnivel en el nivel de las aspas. Compruebe este nivel eligiendo un punto en el techo por encima de la punta de una de las aspas. Mida esta distancia. Gire el ventilador hasta que el siguiente aspa esté posicionada para la medición. Repita el procedimiento para cada aspa. La distancia debe ser de 0.32 cm.

3. si la oscilación de las aspas sigue siendo perceptible, intercambiar dos aspas adyacentes (una al lado de la otra) puede redistribuir el espacio entre las aspas. dos aspas adyacentes (una al lado de la otra) puede redistribuir el peso y posiblemente permitir un funcionamiento más suave.



ADVERTENCIA: PARA REDUCIR EL RIESGO DE LESIONES, NO DOBLE EL BRAZO DE LAS ASPAS CUANDO INSTALE, EQUILIBRE LAS ASPAS O LIMPIE EL VENTILADOR. NO INTRODUZCA OBJETOS EXTRAÑOS ENTRE LAS ASPAS GIRATORIAS DEL VENTILADOR.

RUIDO

Con tiempo tranquilo (especialmente por la noche), es posible que oiga pequeños ruidos ocasionales. Esto es normal. Permita un período de rodaje de 24 horas; la mayoría de los ruidos asociados con un ventilador nuevo desaparecen durante este período. La mayoría de los ruidos asociados a un ventilador nuevo desaparecen durante este periodo.

7 MANTENIMIENTO Y LIMPIEZA

1. El único mantenimiento necesario es la limpieza periódica del ventilador de techo. Utilice un cepillo suave o un paño sin pelusa para evitar rayar la pintura. Asegúrese de desconectar el suministro eléctrico antes de limpiar su ventilador.
2. No utilice agua para limpiar el ventilador de techo. Podría dañar el motor o las aspas y provocar una descarga eléctrica.
3. El motor está equipado con un rodamiento de bolas de lubricación permanente. No es necesario engrasarlo.

NOTA: ASEGÚRESE DE QUE LA CORRIENTE ESTÁ DESCONECTADA EN EL CUADRO ELÉCTRICO ANTES DE REALIZAR CUALQUIER TRABAJO DE LIMPIEZA O REPARACIÓN. NO LIMPIE NI REPARE EL APARATO.



Parrot Uncle

F8283110V

Instructions d'installation et d'utilisation pour le
Installation du propriétaire de Parrotuncle, manue


VERTISSEMENT : COUPER L'ALIMENTATION AU FUSIBLE OU AU DISJONCTEUR


Informations de sécurité


1. Pour réduire le risque de coup électrique, l'électricité sur l'interrupteur de protection ou la boîte de sécurité s'est éteinte avant le démarrage.
2. Tout le câblage doit être conforme au code électrique national NASI/NFPA 70-1999 et aux réglementations électriques locales. L'installation électrique doit être réalisée par un électricien qualifié et agréé.
3. Le boîtier de connexion et la structure de support doivent être assemblés en toute sécurité et doivent pouvoir être transportés en toute fiabilité avec un poids de 15,9 kilos. N'utilisez que des boîtes de sortie portant la mention "Accepté pour les ventilateurs d'un poids de £ 35 (15,9 kilos) ou moins."
4. Le ventilateur doit être installé à une distance minimale de 2,1 m (7 pieds) entre le bord postérieur des ailes et le sol.
5. Ne pas actionner l'interrupteur de marche arrière si les ailes du ventilateur sont en mouvement. Vous devez éteindre le ventilateur et arrêter les ailes avant d'inverser la direction de l'aile.
6. Ne pas placer d'objets sur la route des ailes.
7. Pour éviter des lésions ou des dommages au ventilateur et à d'autres objets, faites attention lorsque vous travaillez sur le ventilateur ou que vous le nettoyez.
8. Les schémas électriques servent uniquement de référence. Les taux d'éclairage qui ne sont pas livrés avec le ventilateur doivent être répertoriés et marqués avec le modèle de vanne qui sera installé pour l'utilisation. Les interrupteurs doivent être des interrupteurs à usage général UL. Tenir compte des instructions pour l'installation appropriée incluses dans les taux d'éclairage et les interrupteurs.
9. Une fois les raccordements électriques effectués, l'escalier de taille doit être retourné et poussé avec précaution jusqu'à la boîte à fiches. Les câbles doivent être répartis de manière à ce que le conducteur relié à la terre et la tête de l'appareil se trouvent à proximité de la prise.

Toutes les vis de fixation doivent être vérifiées avant l'installation et, si nécessaire, suivies.


 **AVERTISSEMENT:**
Pour réduire le risque de blessure, les supports de couteau (également appelés brides) ne peuvent pas être pliés pendant l'installation ou après l'installation. Ne placez aucun objet sur la trajectoire des ailes.

 **AVERTISSEMENT:**
Retirez les attaches en caoutchouc du moteur au bas du ventilateur avant de monter les ailes ou d'essayer le moteur.

 **AVERTISSEMENT:**
Pour éviter tout risque d'incendie ou de choc électrique, ce ventilateur ne doit pas être utilisé avec un variateur de vitesse à semi-conducteur.

 **AVERTISSEMENT:**
Pour éviter tout risque d'électrocution, coupez le courant dans la boîte de sécurité principale avant de procéder au câblage. Si vous pensez ne pas avoir suffisamment de connaissances ou d'expérience en matière de câblage électrique, adressez-vous à un électricien agréé.

 **AVERTISSEMENT:**
Les schémas électriques ne servent que de référence. L'utilisation optionnelle d'un taux d'éclairage doit être sur la liste et marqué avec ce ventilateur pour l'utilisation.

 **AVERTISSEMENT:**
Pour réduire les risques d'incendie, de décharges électriques ou de blessures, montez l'appareil dans une prise de courant qui porte l'inscription acceptée pour les ventilateurs d'un poids inférieur ou égal à 35 £. Elle est marquée et utilisez les vis fournies avec la prise.

INFORMATION TECHNIQUE

SKU	Tension nominale	Puissance nominale (moteur)	Lumière
F8283110V	120Vac	25W	18W

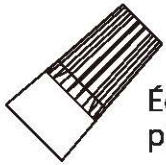


Parrot Uncle

F8283110V

Instructions d'installation et d'utilisation pour le
Installation du propriétaire de Parrotuncle, manue

VERTISSEMENT : COUPER L'ALIMENTATION AU FUSIBLE OU AU DISJONCTEUR



Écrou pour fil en
plastique (4PCS)



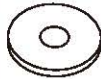
Vis de montage (2PCS)



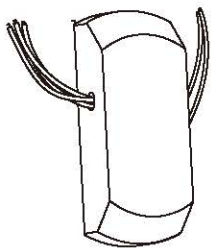
Vis à lame (16PCS)



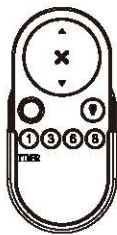
Vis (2PCS)



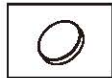
Rondelle (2PCS)



TÉLÉCOMMANDE (1 PC)

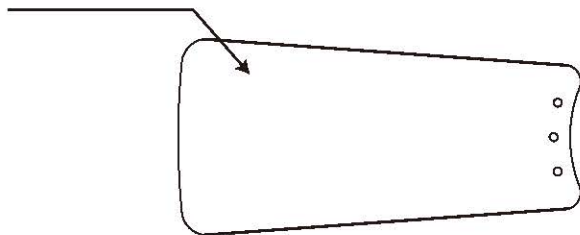


↑ x 2

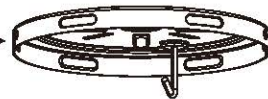


x6

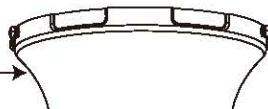
Lame (5PCS)



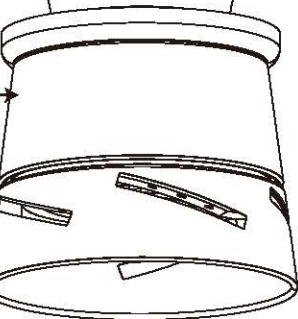
Support de plafond



Support de montage



Assemblage moteur



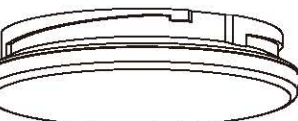
Boîtier de l'interrupteur



Kit de lumière



Abat-jou



Veuillez vérifier si les accessoires ci-dessus sont terminés ou non? Oui, et installez-les.



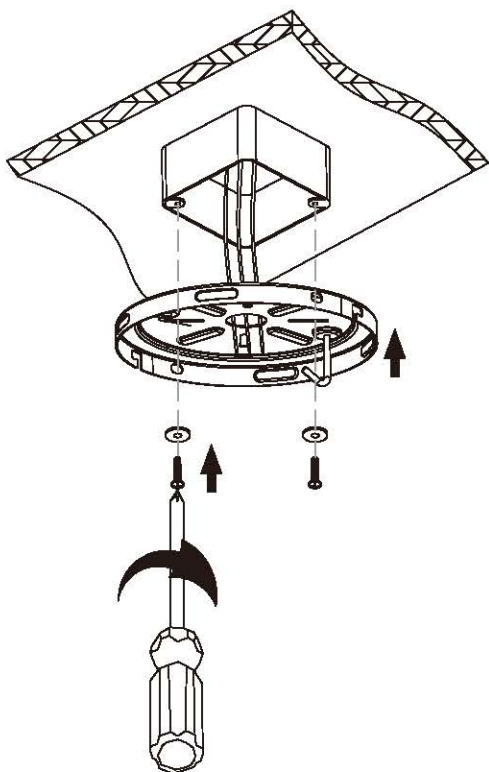
Parrot Uncle

F8283110V

Instructions d'installation et d'utilisation pour le
Installation du propriétaire de Parrotuncle, manue

VERTISSEMENT : COUPER L'ALIMENTATION AU FUSIBLE OU AU DISJONCTEUR

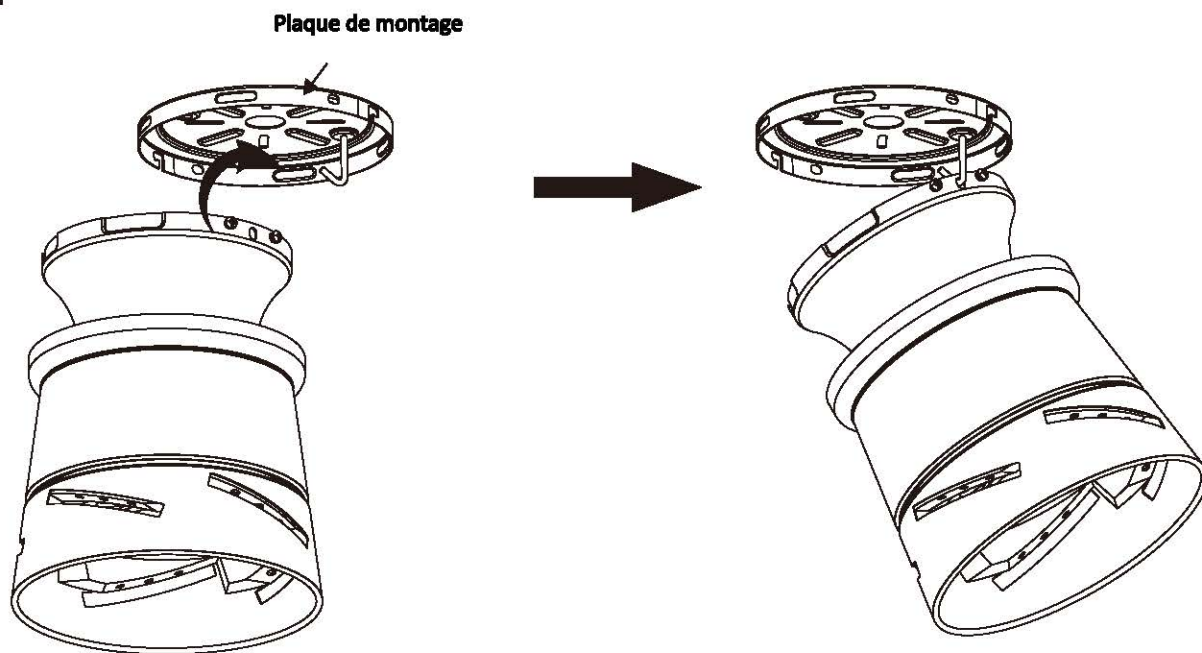
1



Vérifier la boîte de sortie existante (non incluse) pour s'assurer qu'elle est solidement fixée à au moins deux points d'un élément structural du plafond et qu'elle peut supporter tout le poids du ventilateur. Une fois cette vérification effectuée, installez la plaque de plafond sur la boîte de sortie à l'aide des vis et des rondelles fournies.

DANGER: Une boîte de sortie mal fixée peut faire vaciller le ventilateur et augmenter son potentiel de chute, ce qui peut entraîner des blessures graves ou mortelles.

2



Accrochez le moteur au crochet du support de plafond, comme indiqué. (Figure 2) Vous pouvez maintenant procéder au câblage électrique de votre ventilateur.

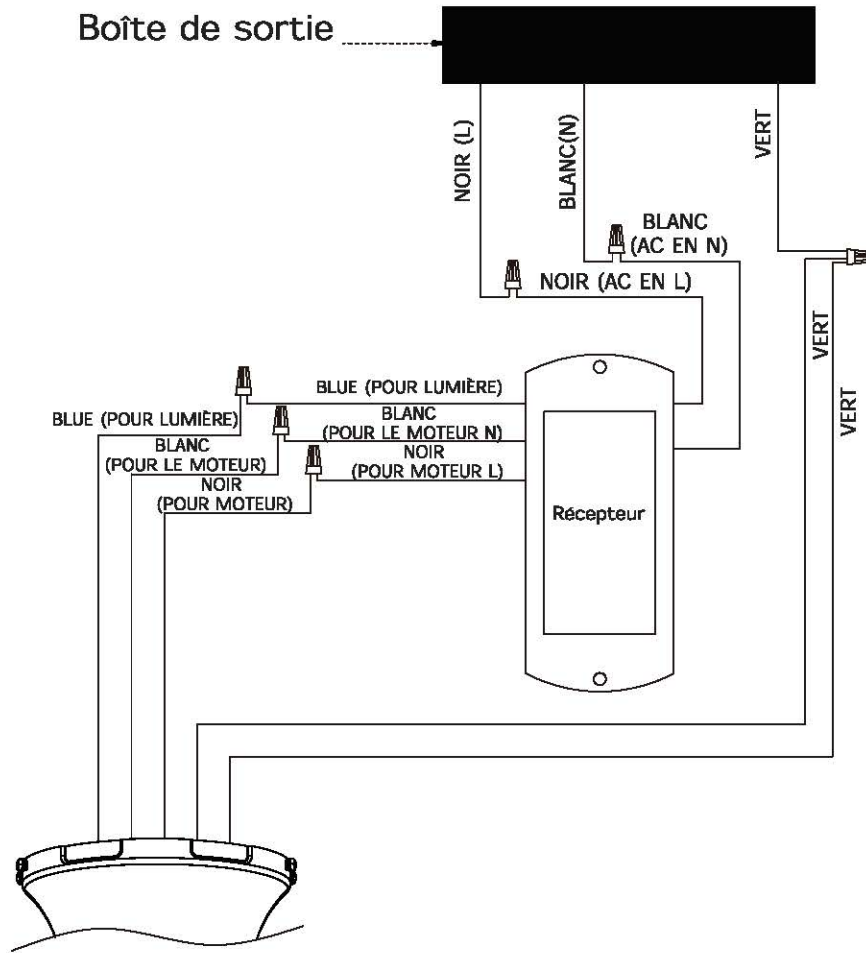


Parrot Uncle

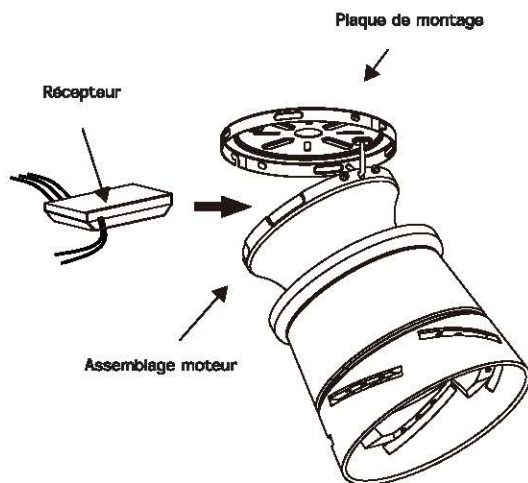
F8283110V

Instructions d'installation et d'utilisation pour le
Installation du propriétaire de Parrotuncle, manue

VERTISSEMENT : COUPER L'ALIMENTATION AU FUSIBLE OU AU DISJONCTEUR



Installer la télécommande



Une fois les connexions effectuées, placez les fils blanc et vert d'un côté et les fils noirs de l'autre, la connexion doit être tournée vers le haut et poussez soigneusement les fils dans la boîte de sortie. Les fils doivent être écartés, le conducteur de mise à la terre et le conducteur de mise à la terre de l'équipement se trouvant d'un côté de la boîte de sortie et le conducteur non mis à la terre se trouvant de l'autre côté.

LA LUMIÈRE DOIT ÊTRE MAINTENUE EN POSITION ALLUMÉE

LE VENTILATEUR DOIT ÊTRE MAINTENU EN POSITION HAUTE



Parrot Uncle

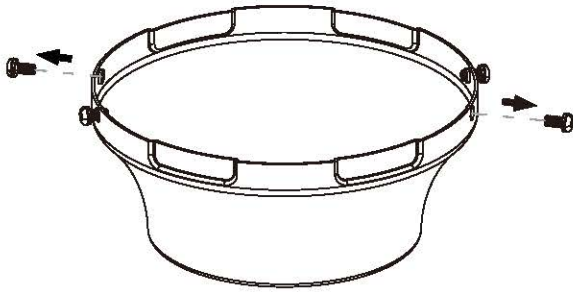
F8283110V

Instructions d'installation et d'utilisation pour le
Installation du propriétaire de Parrotuncle, manue

VERTISSEMENT : COUPER L'ALIMENTATION AU FUSIBLE OU AU DISJONCTEUR

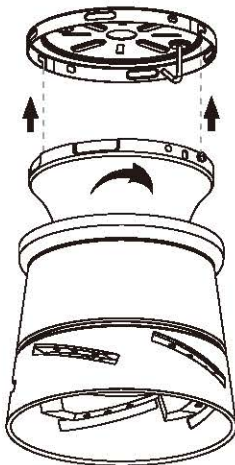
3

Retirez et conservez les deux vis
opposées de l'assemblage du moteur,
puis desserrez les deux vis restantes.



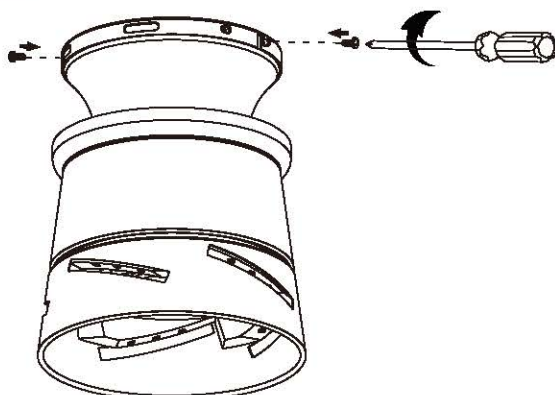
4

Montez votre ventilateur en faisant glisser le
moteur sur le support de montage, les deux
vis desserrées s'insérant dans les fentes en
«L» du support de plafond. Veillez à ce que
tous les câbles soient insérés dans le boîtier
du moteur et ne soient pas coincés. Une fois
que le moteur est au ras du plafond, tournez
dans le sens des aiguilles d'une montre pour
insérer les vis dans la partie clavetée de la
fente. Serrez les vis.



5

Assemblez le moteur au support de plafond
à l'aide des vis retirées précédemment et
serrez bien toutes les vis.





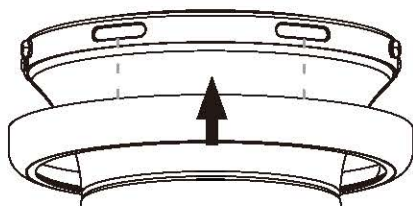
Parrot Uncle

F8283110V

Instructions d'installation et d'utilisation pour le
Installation du propriétaire de Parrotuncle, manue

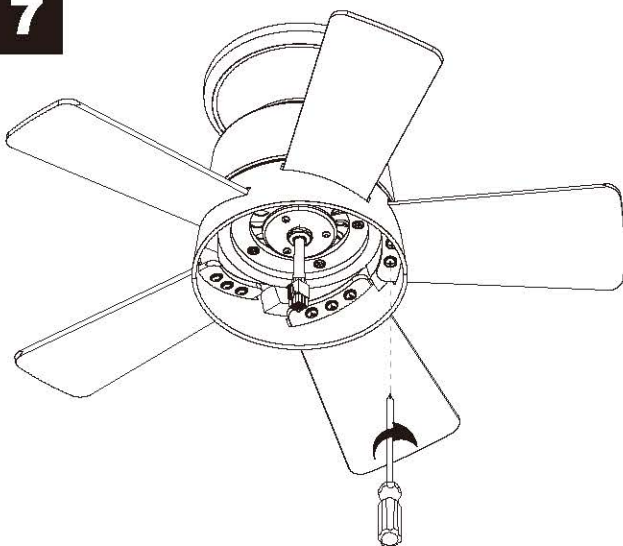
VERTISSEMENT : COUPER L'ALIMENTATION AU FUSIBLE OU AU DISJONCTEUR

6



Veillez retirer la douille flexible avant de pousser l'anneau de finition de l'auvent vers le haut. Poussez l'anneau de finition de l'auvent vers le haut pour dissimuler les vis, de manière à ce que les languettes de montage s'insèrent dans les rainures du support de plafond, à mi-chemin entre les vis.

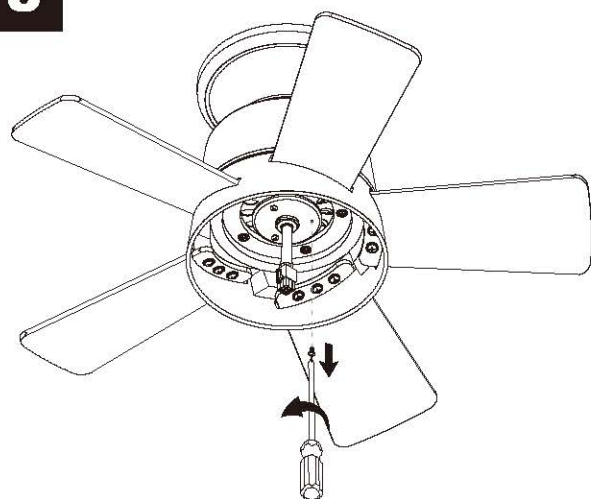
7



Faites glisser les pales dans les fentes du boîtier du moteur et fixez-les au moyeu du moteur à l'aide des vis. Assurez-vous que les vis qui fixent les lames au moyeu du moteur sont bien serrées et qu'elles sont bien en place.

REMARQUE: Vérifiez régulièrement la fixation des lames et resserrez-la si nécessaire.

8



Retirez l'une des trois vis du support situé au bas de l'ensemble moteur. Conservez la vis pour plus tard et desserrez légèrement les deux autres vis.



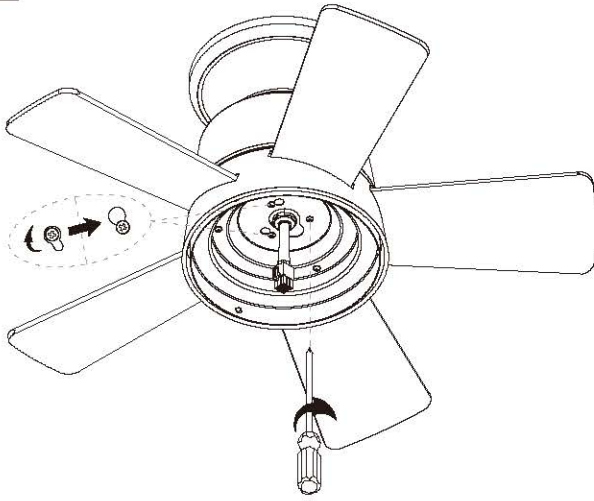
Parrot Uncle

F8283110V

Instructions d'installation et d'utilisation pour le
Installation du propriétaire de Parrotuncle, manue

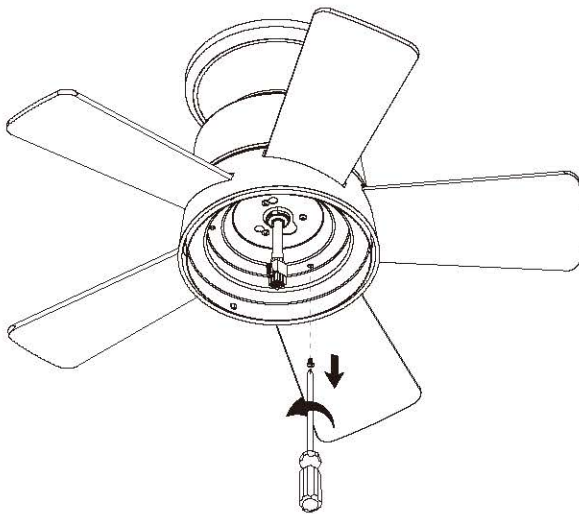
VERTISSEMENT : COUPER L'ALIMENTATION AU FUSIBLE OU AU DISJONCTEUR

9



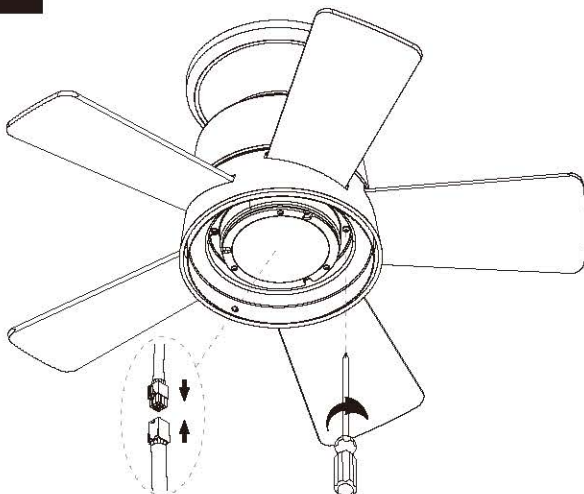
Assembler le boîtier de l'interrupteur au support en utilisant les deux fentes du boîtier de l'interrupteur. Remplacez la vis précédemment retirée et serrez fermement les trois vis.

10



Retirer les trois vis du boîtier de l'interrupteur. Conservez-les pour l'étape 11.

11



Connectez les fils du moteur aux fils du kit d'éclairage en utilisant la fiche molex à 9 broches. Remplacez les vis retirées à l'étape 10 et fixez les trois vis.



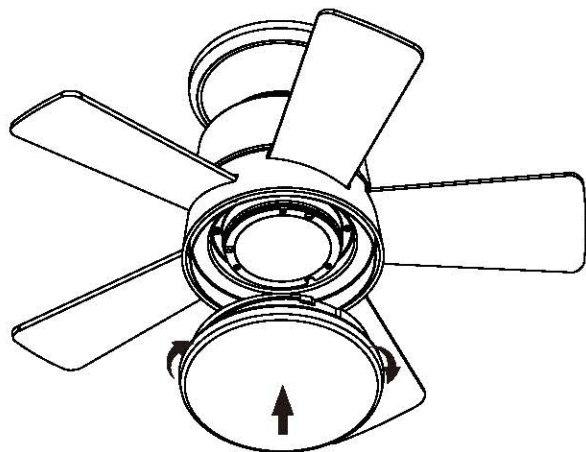
Parrot Uncle

F8283110V

Instructions d'installation et d'utilisation pour le
Installation du propriétaire de Parrotuncle, manue

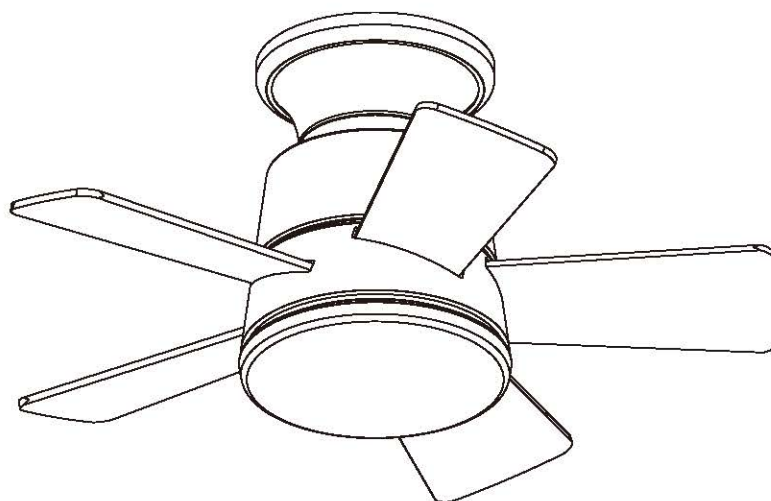
VERTISSEMENT : COUPER L'ALIMENTATION AU FUSIBLE OU AU DISJONCTEUR

12



Fixez l'abat-jour au boîtier de l'interrupteur en le tournant dans le sens des aiguilles d'une montre. Tournez progressivement l'abat-jour jusqu'à ce qu'il s'enclenche dans le boîtier de l'interrupteur. Ne pas trop serrer.

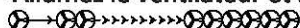
Structure complète



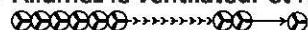
FONCTIONNEMENT DE VOTRE VENTILATEUR

Mettez l'appareil sous tension et vérifiez le fonctionnement du ventilateur. Vitesse du ventilateur:

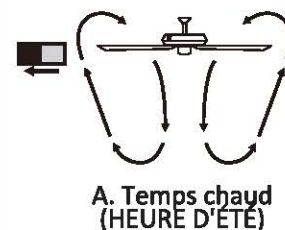
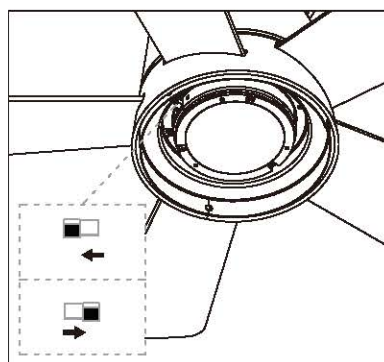
“▲” Allumez le ventilateur et augmentez la vitesse



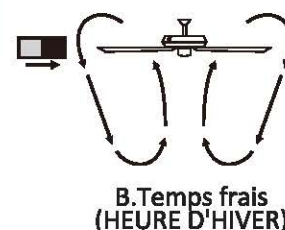
“▼” Allumez le ventilateur et réduisez la vitesse.



Les réglages de vitesse appropriés pour le temps chaud ou froid dépendent de facteurs tels que la taille de la pièce, la hauteur du plafond et le nombre de ventilateurs. L'interrupteur à glissière contrôle la direction des lames : avant (commutateur à gauche) ou inversé (commutateur à droite).



A. Temps chaud (HEURE D'ÉTÉ)



B. Temps frais (HEURE D'HIVER)

REMARQUE: Attendez que le ventilateur s'arrête avant d'inverser le sens de rotation des pales.

- A. Temps chaud - (avant) Un flux d'air vers le bas crée un effet de refroidissement. Cela vous permet de régler votre climatiseur à un niveau plus élevé sans nuire à votre confort.
- B. Temps frais - (Inversé) Un flux d'air ascendant déplace l'air chaud hors de la zone du plafond. Cela vous permet de régler l'unité de chauffage à un niveau plus bas sans affecter votre confort.

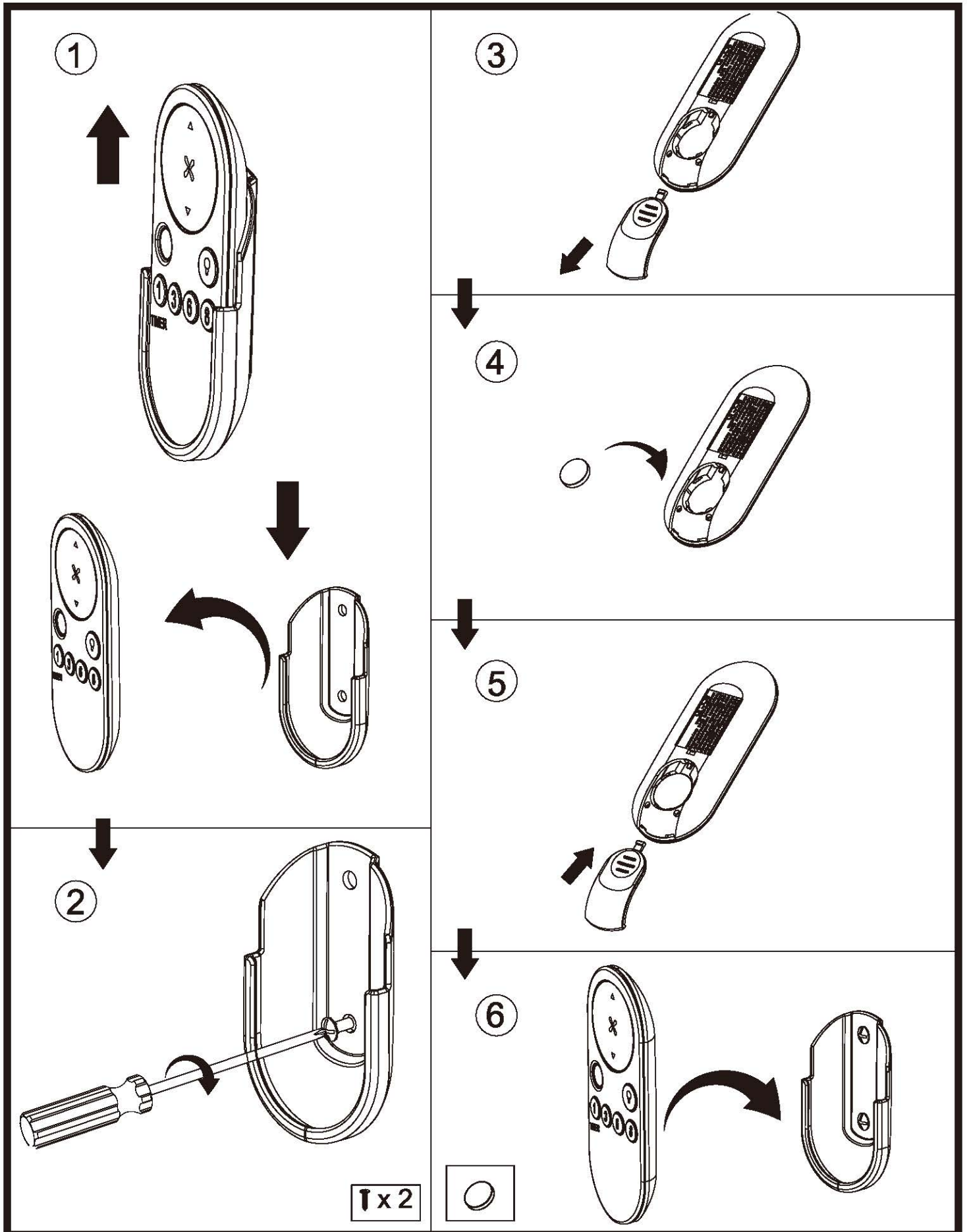


Parrot Uncle

F8283110V

Instructions d'installation et d'utilisation pour le
Installation du propriétaire de Parrotuncle, manue

VERTISSEMENT : COUPER L'ALIMENTATION AU FUSIBLE OU AU DISJONCTEUR





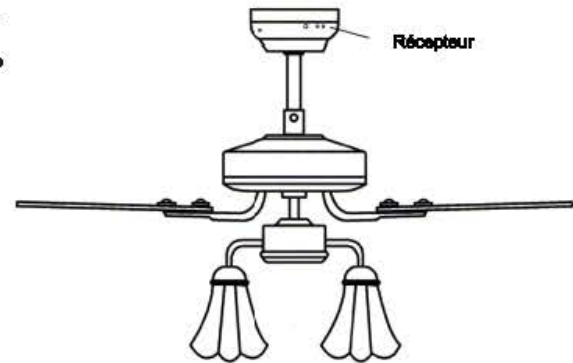
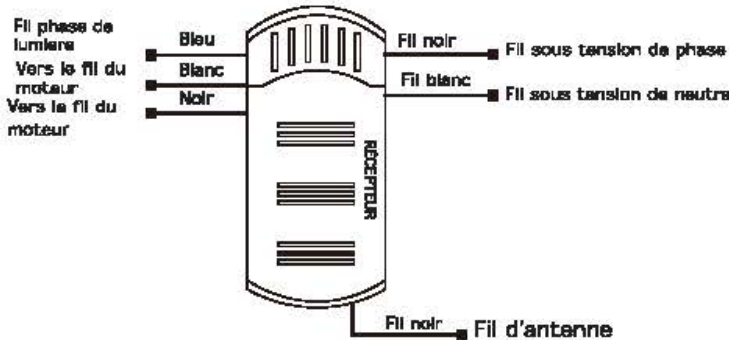
Parrot Uncle

F8283110V

Instructions d'installation et d'utilisation pour le
Installation du propriétaire de Parrotuncle, manue

VERTISSEMENT : COUPER L'ALIMENTATION AU FUSIBLE OU AU DISJONCTEUR

SCHÉMA DE CÂBLAGE DU RÉCEPTEUR

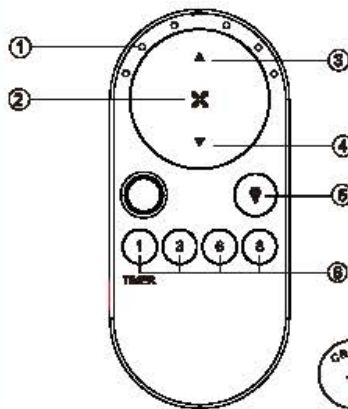


LISTE DES PARAMÈTRES DE PUISSANCE

Tension	Ventilateur(max.)	Lampe(max.)
120 V	25W	18W

Adopte la technique d'émission de chiffres sans fil RF, contrôlée par biunique, le taux de code coïncident est inférieur à un millionième. millionième. (L'émetteur et le récepteur doivent être renvoyés à l'usine pour maintenance s'ils sont endommagés). Le récepteur peut être contrôlé par n'importe quel angle de l'émetteur dans un espace normalisé, sans restriction de direction. Grâce à la fonction de mémoire, le contrôleur peut enregistrer l'état (lumière et direction) lorsque l'alimentation est éteinte et revenir à l'état d'origine après avoir rechargé l'alimentation.

INSTRUCTION DE FONCTION DE L'ÉMETTEUR



- ① LED Indicated light
 - ② Marche/Arrêt du ventilateur
 - ③ Augmentez la vitesse du ventilateur
 - ④ Baissez la vitesse du ventilateur
 - ⑤ Appui court : Allumer/éteindre la lumière
 - ⑥ Contrôle de la temporisation du ventilateur
 - ⑦ Pile 3V CR2032 X 1pcs
- Appui long : Régler la luminosité de la lumière

- a) ⚠ **AVERTISSEMENT** : Risque de brûlure chimique. Tenir les piles hors de portée des enfants.
b) Ce produit contient une pile bouton/pile bouton au lithium. Si une pile bouton/cellule de monnaie au lithium, neuve ou usagée, est avalée ou pénètre dans le corps, elle peut provoquer de graves brûlures internes et entraîner la mort en seulement 2 heures. Fermez toujours complètement le compartiment à piles. Si le compartiment à piles ne ferme pas correctement, arrêtez d'utiliser le produit, retirez les piles et tenez-le hors de portée des enfants. Si vous pensez que des piles ont été avalées ou placées à l'intérieur d'une partie du corps, consultez immédiatement un médecin.
c) Les piles doivent être éliminées de manière appropriée, y compris hors de portée des enfants.
d) Même les piles usagées peuvent provoquer des blessures

DES RAPPELS BIENVEILLANTS :

1. Si l'émetteur ne peut pas contrôler le ventilateur, le mode de correspondance des codes d'apprentissage est utilisé entre l'émetteur et le récepteur. Mettez l'alimentation sous tension dans les 30 secondes et appuyez sur le bouton "X" de l'émetteur pendant 5 secondes, il peut se charger normalement après avoir entendu un long son "bee", ce qui signifie que l'apprentissage a réussi et qu'il peut fonctionner normalement.
(PS: Le mode d'apprentissage n'est pas accepté après avoir mis l'appareil sous tension pendant 30 secondes).
2. Si l'émetteur ne peut pas contrôler le récepteur, vérifiez que l'interrupteur de la batterie touche normalement ou non, que le positif et le négatif sont corrects, que la batterie est pleine ou vide.
3. Lorsque l'émetteur ne peut pas contrôler le récepteur, vérifiez s'il existe des produits télécommandés similaires à proximité. Vérifiez ensuite s'ils fonctionnent, car les produits télécommandés ayant la même fréquence se perturbent mutuellement.
4. La faible tension de la batterie affecte la sensibilité de l'émetteur et la réception du signal en conséquence (le voyant lumineux clignote lorsque la batterie est faible). Il faut remplacer la pile si elle est faible.
5. Veuillez retirer la pile de l'émetteur si vous ne l'utilisez pas pendant une longue période.
6. La charge maximale de l'éclairage est indiquée dans la "LISTE DES PARAMÈTRES DE PUISSANCE" ci-dessus.
PS : veuillez connecter correctement le fil de terre, sinon la lumière risque de s'éteindre ou de clignoter.
7. Lors de l'installation du ventilateur, le couvercle du plafond du ventilateur ne doit pas appuyer sur l'antenne (ou autre fil), il est facile de briser le fil et de provoquer un court-circuit.



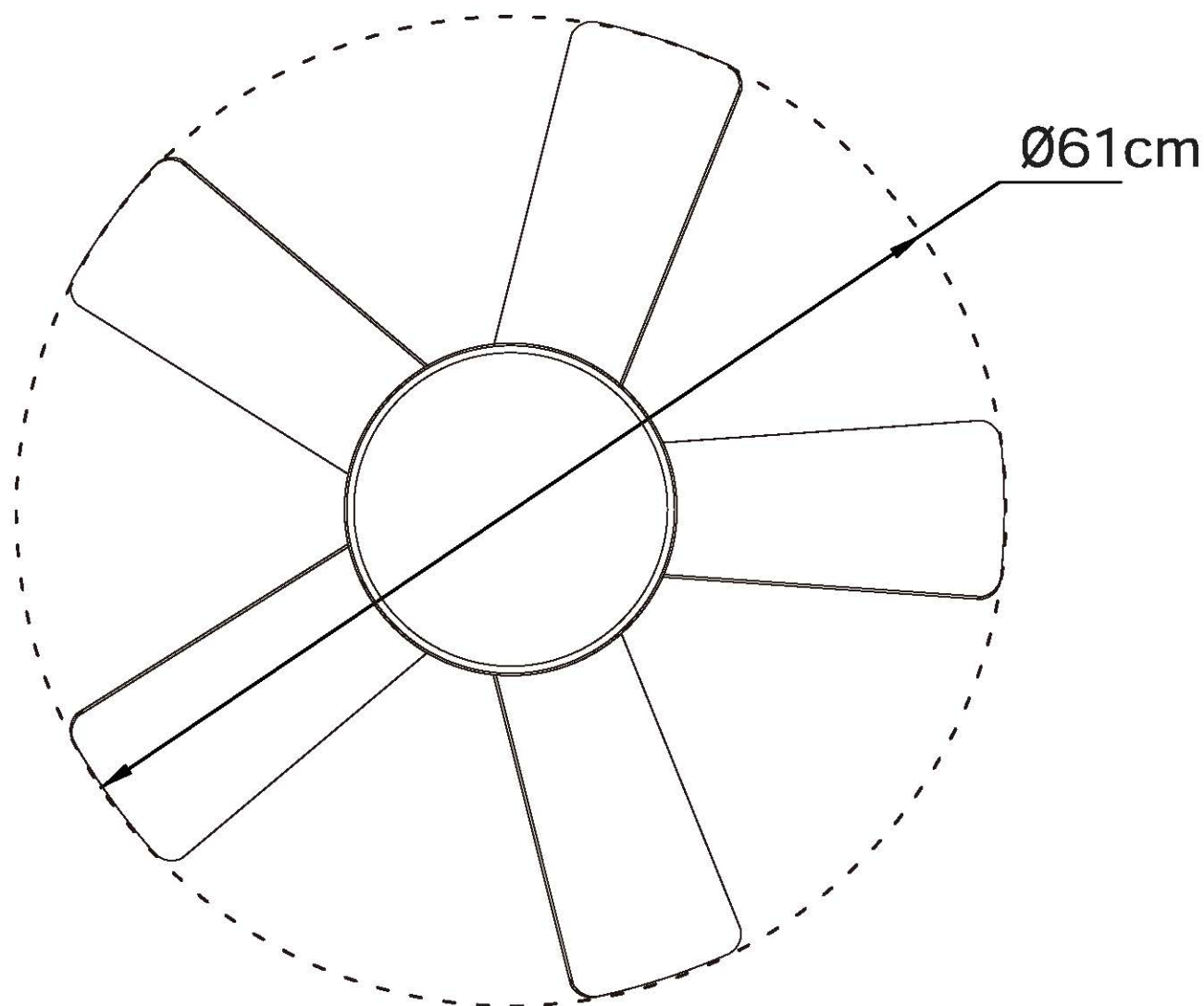
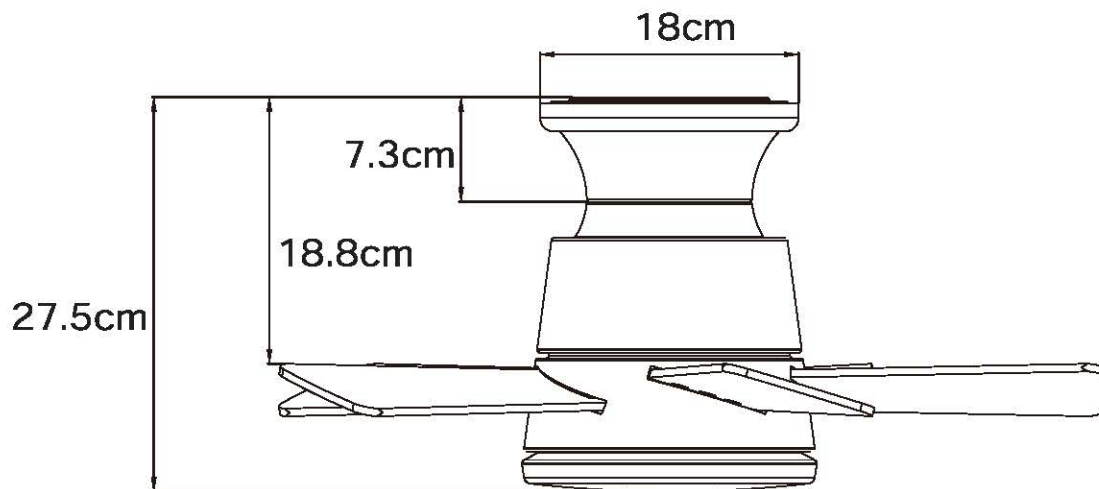
Parrot Uncle

F8283110V

Instructions d'installation et d'utilisation pour le
Installation du propriétaire de Parrotuncle, manue

VERTISSEMENT : COUPER L'ALIMENTATION AU FUSIBLE OU AU DISJONCTEUR

TAILLE DU PRODUIT





Parrot Uncle

F8283110V

Instructions d'installation et d'utilisation pour le
Installation du propriétaire de Parrotuncle, manue

VERTISSEMENT : COUPER L'ALIMENTATION AU FUSIBLE OU AU DISJONCTEUR

GUIDE DE DÉPANNAGE

1. VENTILATEUR / LA TÉLÉCOMMANDE NE FONCTIONNE PAS

Assurez-vous que la télécommande se trouve dans le rayon d'action de 20 pieds du récepteur.

Pour réinitialiser la télécommande : 1) Coupez l'alimentation du ventilateur à l'aide de l'interrupteur mural ou du disjoncteur. 2) Retirez les piles de la télécommande. 3) Attendez 10 secondes. 4) Remettez les piles en place et mettez l'appareil sous tension.

Vérifiez que les piles sont en bon état et correctement orientées.

Vérifiez que les commutateurs de fréquence (commutateurs DIP) de la télécommande et du récepteur sont réglés sur la même fréquence.

Vérifiez les fusibles ou les disjoncteurs du circuit principal et des circuits de dérivation.

Si vous utilisez un interrupteur mural à vitesse variable, assurez-vous qu'il est spécifiquement conçu pour être utilisé avec un ventilateur de plafond.

Vérifiez les connexions des fils de ligne au ventilateur et les connexions des fils de l'interrupteur dans le boîtier de l'interrupteur conformément aux instructions.

Si le ventilateur ne fonctionne toujours pas, veuillez contacter le service clientèle Support@ParrotUncle.com.

2. LE VENTILATEUR EST BRUYANT

Vérifiez que toutes les vis du boîtier du moteur sont bien serrées.

Assurez-vous que les vis qui fixent les pales du ventilateur au moteur sont bien serrées.

Assurez-vous que les connecteurs des écrous à fils ne s'entrechoquent pas ou ne heurtent pas la paroi intérieure du boîtier de l'interrupteur.

Prévoyez une période de rodage de 24 heures. La plupart des bruits associés au nouveau ventilateur peuvent disparaître pendant cette période.

En cas d'utilisation d'un kit de plafonnier, s'assurer que la verrerie est bien fixée.

Veillez à ce qu'il y ait une courte distance entre le plafond et le haut de l'auvent. L'auvent ne doit pas toucher le plafond !

Assurez-vous que votre boîte de plafond est bien fixée et que les tampons isolants en caoutchouc sont utilisés entre le support de montage et la boîte de sortie.

3. LE VENTILATEUR OSCILLE

Vérifiez que toutes les pales et les vis de fixation des pales sont bien fixées (la plupart des problèmes d'oscillation du ventilateur sont dus à des pièces desserrées). Une fois le ventilateur correctement installé, faites fonctionner le ventilateur de plafond pendant 10 minutes pour qu'il s'ajuste de lui-même.

Si le ventilateur oscille encore après 10 minutes de fonctionnement, vérifiez le niveau des pales en procédant comme suit :

a) choisissez un point au plafond au-dessus de l'extrémité de l'une des pales. Sélectionnez ensuite la pale du ventilateur et mesurez à partir du centre de la pale sélectionnée jusqu'au point du plafond. Faites tourner le ventilateur jusqu'à ce que la pale suivante soit positionnée et répétez la mesure en utilisant le même point du plafond pour chaque pale. Les mesures doivent se situer à 1/8 de pouce près.

b) Si tous les écarts sont inférieurs à 1/8 de pouce et que le ventilateur continue à osciller, veuillez contacter le service clientèle Support@ParrotUncle.com pour commander un kit d'équilibrage des pales gratuit.

-Si tous les écarts sont inférieurs à 1/8 de pouce et que le ventilateur continue à osciller, veuillez contacter le service clientèle Support@ParrotUncle.com pour commander un kit gratuit d'équilibrage des pales.

4. LA LUMIÈRE NE FONCTIONNE PAS

1) Vérifier que les connexions des fils dans le boîtier de l'interrupteur sont branchées.

2) Vérifier si l'éclairage est défectueux.

3) Si le kit de lumière ne fonctionne toujours pas, contactez un électricien qualifié pour obtenir de l'aide.



Parrot Uncle

F8283110V

Instructions d'installation et d'utilisation pour le
Installation du propriétaire de Parrotuncle, manue

VERTISSEMENT : COUPER L'ALIMENTATION AU FUSIBLE OU AU DISJONCTEUR

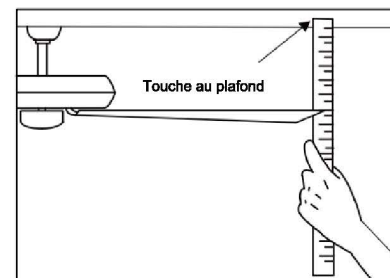
APRÈS L'INSTALLATION

OSCILLATION"

Les pales du ventilateur ont été réglées en usine pour minimiser toute oscillation.

NOTE: CEILING FANS TEND TO MOVE DURING OPERATION DUE TO THE FACT THAT THEY ARE MOUNTED ON A RUBBER CROMMET. IF THE FAN WAS MOUNTED RIGIDLY TO THE CEILING, IT WOULD CAUSE EXCESS VIBRATION. MOVEMENT OF A FEW CENTIMETERS IS QUITE ACCEPTABLE AND DOES NOT SUGGEST ANY PROBLEM TO REDUCE THE FAN WOBBLE: PLEASE CHECK THAT ALL SCREWS WHICH SECURED THE MOUNTING BRACKET AND DOWNROD ARE SECURE.
BALANCING A WOBBLING CEILING FAN:

1. Vérifiez que toutes les vis des pales et du bras de pale sont bien fixées.
2. La plupart des problèmes d'oscillation du ventilateur sont dus à l'inégalité du niveau des pales. Vérifiez ce niveau en en choisissant un point du plafond au-dessus de l'extrémité de l'une des pales. Mesurez cette distance. Faites tourner le ventilateur jusqu'à ce que la pale suivante soit positionnée pour la mesure. Répétez l'opération pour chaque pale. L'écart de distance doit être égal à 1/8" (0,32cm).
3. si l'oscillation des pales est toujours perceptible, l'échange de deux pales adjacentes (côte à côte) peut redistribuer l'écart entre les pales. deux lames adjacentes (côte à côte) peut redistribuer le poids et éventuellement permettre un fonctionnement plus régulier.



AVERTISSEMENT : POUR RÉDUIRE LES RISQUES DE BLESSURES, NE PLIEZ PAS LE BRAS DE PALE LORS DE L'INSTALLATION, DE L'ÉQUILIBRAGE DES PALES OU DU NETTOYAGE DU VENTILATEUR. N'INSÉREZ PAS D'OBJETS ÉTRANGERS ENTRE LES PALES DU VENTILATEUR EN ROTATION.

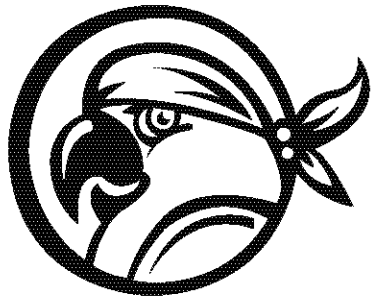
BRUIT

Par temps calme (surtout la nuit), vous pouvez entendre de petits bruits occasionnels. C'est normal. Prévoyez une période de rodage de 24 heures, la plupart des bruits associés à un nouveau ventilateur disparaissent pendant cette période. La plupart des bruits associés à un nouveau ventilateur disparaissent pendant cette période.

ENTRETIEN ET NETTOYAGE

1. Le nettoyage périodique de votre ventilateur de plafond est le seul entretien nécessaire. Utilisez une brosse douce ou un chiffon non pelucheux pour éviter de rayer la peinture. Veillez à éteindre l'électricité avant de nettoyer votre ventilateur.
2. n'utilisez pas d'eau pour nettoyer votre ventilateur de plafond. Cela pourrait endommager le moteur ou les pales et créer un risque d'électrocution.
3. le moteur est équipé d'un roulement à billes lubrifié en permanence. Il n'est pas nécessaire de l'huiler.

NOTE : ASSUREZ-VOUS QUE LE COURANT EST COUPÉ AU NIVEAU DU PANNEAU ÉLECTRIQUE AVANT D'ENTREPRENDRE TOUT NETTOYAGE OU TOUTE RÉPARATION. DE NETTOYER OU DE RÉPARER L'APPAREIL.



Parrot Uncle