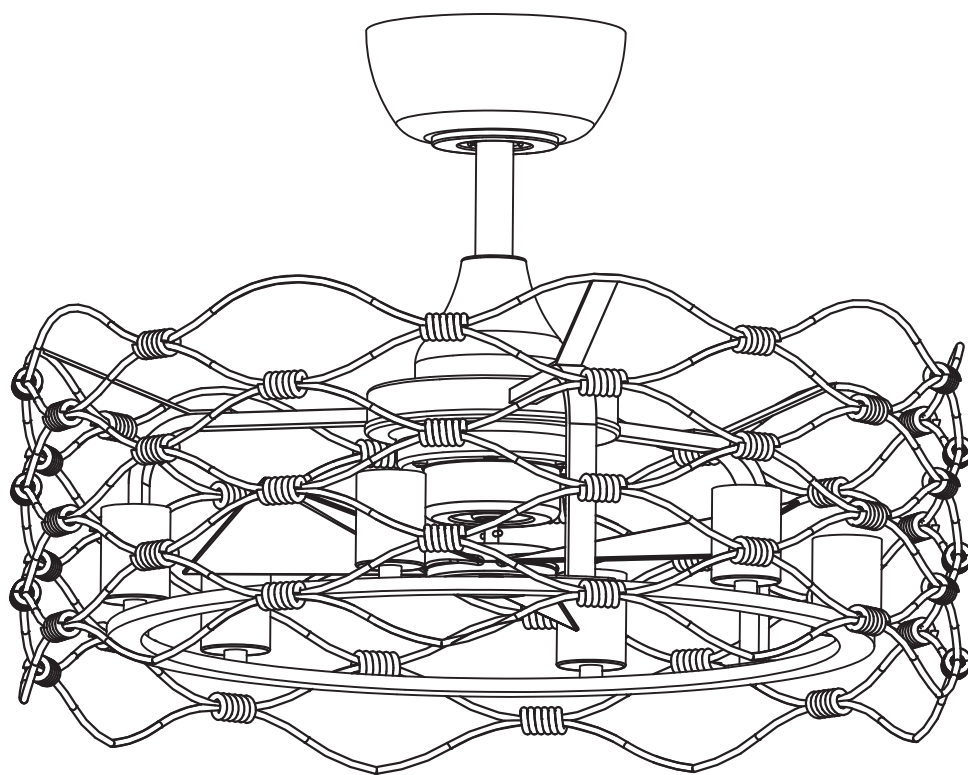




Parrot Uncle

F8265110V



English / Español / Français

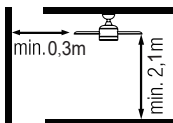
www.parrotuncle.com

Sicherheit information

1. To reduce the risk of an electrical blow, electricity on the protective switch or the safety box went out before starting.
2. All wiring must correspond to the NASI/NFPA 70-1999 National Electric Code and local electrical regulations. The electrical installation must be carried out by a qualified and approved electrician.
3. The connection box and support construction must be assembled safely and 35 pounds (15.9 kilos) must be able to transport reliably. Use only output boxes listed with labeling

"Accepted for fans with a weight of £ 35 (15.9 kilos) or less."

4. The fan must be installed with a minimum distance of 2.1 m (7 feet) from the posterior edge of the blades to the floor. Make sure that there is a space of at least 30 cm between the fan's blades and any wall or other obstacle with which they could collide. It is important to note that the greater the distance, the more efficient the airflow would be.



5. Do not operate the reverse switch if the fan blades are moving. You have to turn off the fan and stop the blades before reverse the direction of the blades.
6. Do not place objects on the road to blades.
7. To avoid lesions or damage to the fan and other objects, be careful if you work on the fan or clean it.
8. Electrical diagrams only serve as a reference. The lighting rates that are not delivered with the fan must be listed and marked with the valve model that will be installed for use. The switches must be general use switches UL. Take into account the instructions for the appropriate installation included in the lighting rates and the switches.
9. After the electrical connections have been made, the size staircase must be turned up and carefully push to the plug box. The cables must be distributed in such a way that the ground connected driver and the device head are next to the socket.

All fixing screws must be verified before installation and, if necessary, followed.



WARNING: To reduce the risk of injury, blade brackets cannot be folded during installation or after installation. Do not put any object on the path of blades.



WARNING: Remove rubber motor attacks at the bottom of the fan before mounting the blades or try the motor.



WARNING: To avoid the risk of a fire or an electrical blow, this fan should not be used with a semiconductor speed controller.



WARNING: To avoid a possible electric shock, turn off the current in the main security box before wiring. If you feel that you do not have enough knowledge or experience in electrical wiring, communicate with a license electrician.



WARNING: Electrical diagrams only serve as a reference. The optional use of an lighting rate must be on the list and marked with this fan for use.



WARNING: To reduce the risk of fires, electrical discharges or injuries, assemble the device in a socket that with the inscription accepted for fans with a weight of £ 35) or less. It is marked and use the screws supplied with the plug.

TECHNICAL INFORMATION

SKU	Nominal voltage	Nominal output (motor)	light
F8265110V	110-120V AC	40W	6*E26 MAX.25W (Not included)



Parrot Uncle

F8265110V

Installation & Operating Instructions for the
Parrot uncle Owner's Installation ,Manual

WARNING: SHUT POWER OFF AT FUSE OR CIRCUIT BREAKER



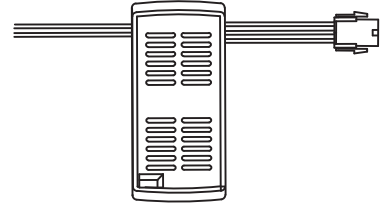
Mounting screw(2PCS)



Washer(2PCS)



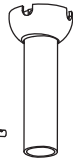
Plastic wire nut (3PCS)



Remote control (1 PC)



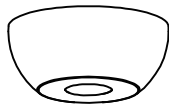
Mounting bracket



4" Ball/downrod assembly and 10" downrod



"R" Lock Pin



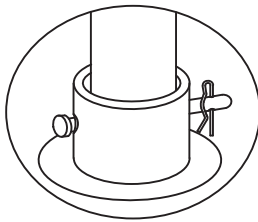
Canopy



Canopy cover



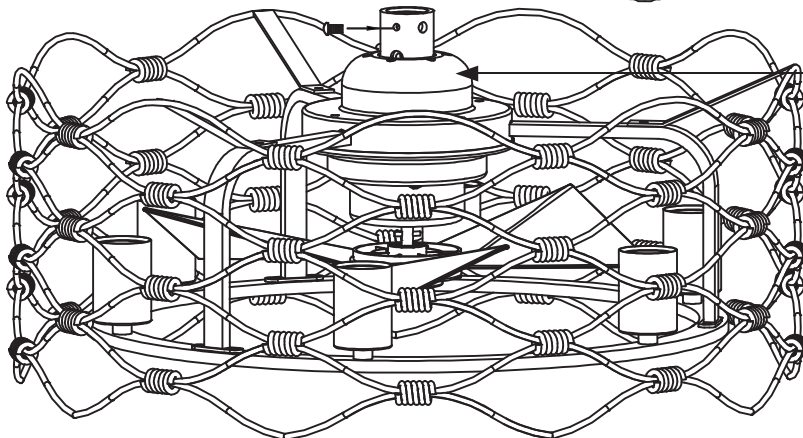
Coupling cover



X6



Bulb (not included)



Fan-motor assembly

Pls check whether above accessories are completed or not?Yes,and install.



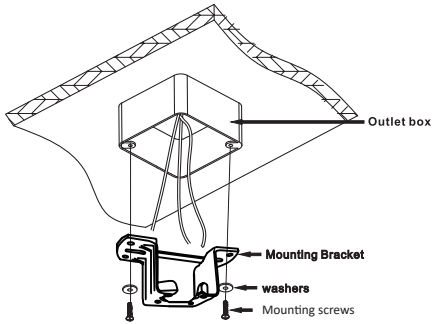
Parrot Uncle

F8265110V

Installation & Operating Instructions for the Parrot uncle Owner's Installation ,Manual

WARNING: SHUT POWER OFF AT FUSE OR CIRCUIT BREAKER

1



Warning: Failure to disconnect power supply prior to installation may result in serious injury. For safety and best operating results, recommend you have a qualified electrician install this fan.

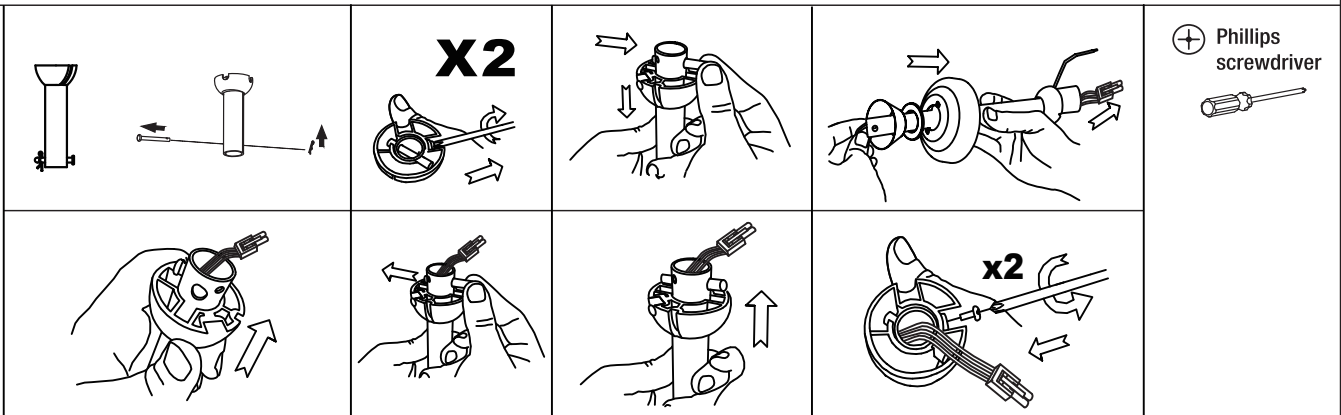
Secure mounting bracket to outlet box by tightening mounting screws & washers.

The ceiling fan must be installed in a location with a minimum of 300mm spacing from the tip of the blade to the nearest objects or walls. Secure the mounting bracket to the ceiling joist or structure that is capable of carrying a load of at least 15.9kgs, with two long screws provided.

Ensure at least 30mm of the screws is threaded into the support.

Note: For ease of wiring feed house wires through mounting bracket.

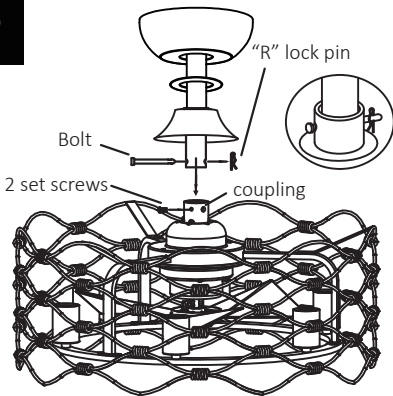
2



Remove the bolt, "R" lock pin and 2 set screws from the downrod and then take down the hanger ball.

Feed the motor wire plug up through the inside of the downrod, then tighten the 2 set screws for hanger ball firmly.

3



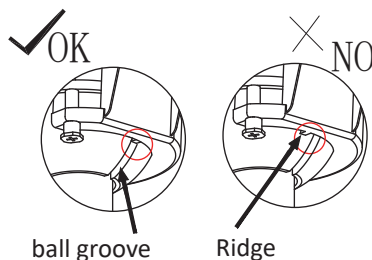
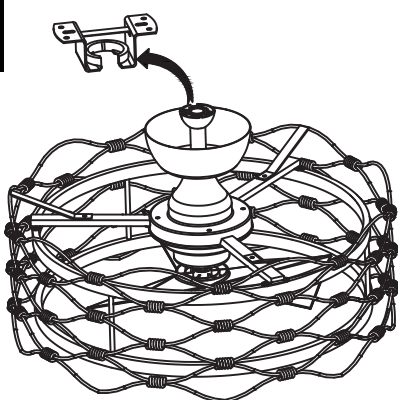
Insert the downrod into the coupling.

Gently push the bolt through the holes aligned with the base of the coupling and downrod.

Insert "R" lock pin into bolt and secure downrod with 2 set screws.

CAUTION: DO NOT force the bolt. Gently wiggle and rotate it until it glides through both holes.

4



Hang the fan into mounting bracket. Align ball groove on hanger ball with ridge on hanger bracket. Ensure hanger ball is sitting into hanger bracket correctly. If fan does not sit properly, hold the downrod and twist it until the fan has been secured into hanger bracket.

WARNING: Failure to align ball groove with ridge may result in serious injury.



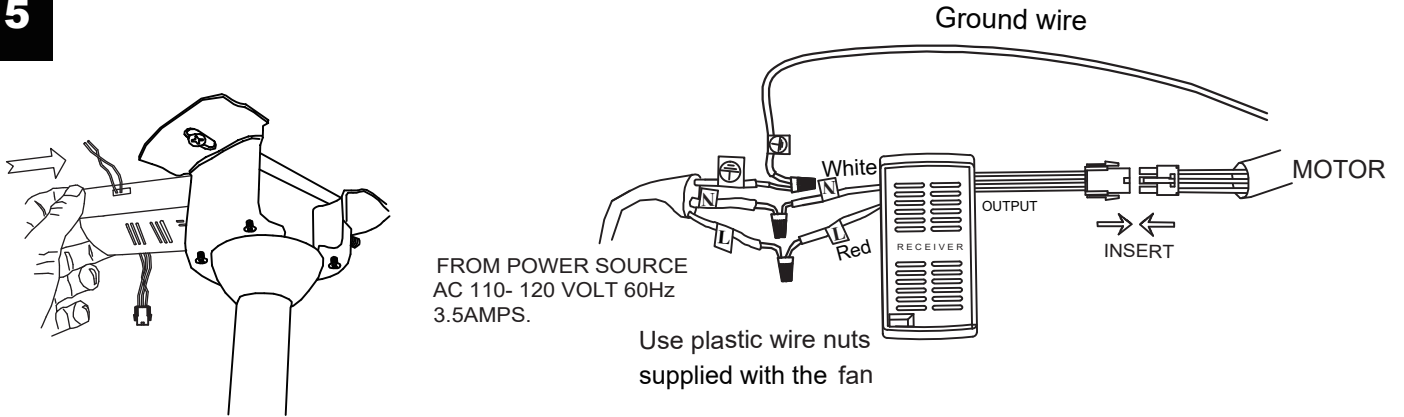
Parrot Uncle

F8265110V

Installation & Operating Instructions for the Parrot uncle Owner's Installation ,Manual

WARNING: SHUT POWER OFF AT FUSE OR CIRCUIT BREAKER

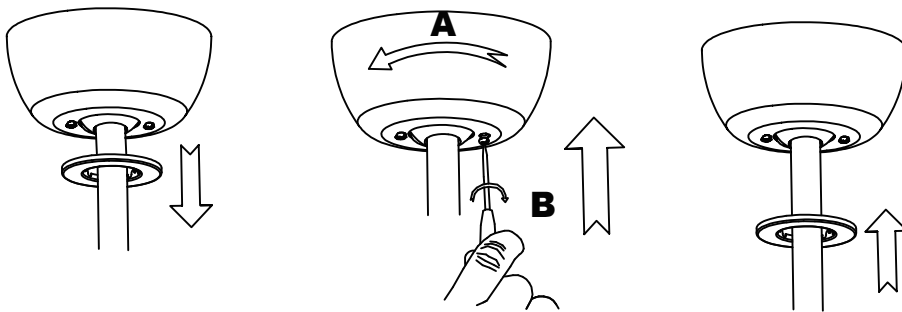
5



WARNING: To avoid possible electrical shock, be sure electricity is turned off at the main fuse box before wiring.

Insert the receiver into the mounting bracket with the flat side of the receiver facing the ceiling. Make the wire connection between the Fan and power supply. Make sure all connections are secured.

6



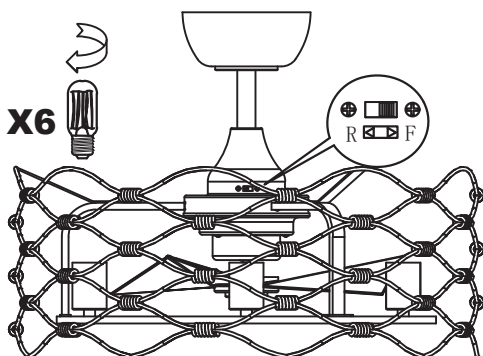
Remove the canopy cover from the canopy (if attached).

Slide the canopy up to ceiling and align the keyhole slots on the canopy with the 2 preassembled screws on the hanger bracket. Twist clockwise until it locks. Tighten two screws to fix the canopy securely.

Clip the canopy cover in to secure it onto the canopy.

7

Install 6 X E26 MAX.25 watt bulbs(not included).



The appropriate speed settings for warm or cool weather depends on factors such as the room size, ceiling height, and number of fans.

The slide switch (XX) controls the direction of the blades: forward (switch right) or reverse (switch left).



NOTE: Wait for the fan to stop before reversing the direction of the blade rotation.



A. Warm Weather (SUMMER TIME) - (Forward) A downward airflow creates a cooling effect. This allows you to set your air conditioner on a higher setting without affecting your comfort.



B. Cool Weather (WINTER TIME) - (Reverse) An upward airflow moves warm air off the ceiling. This allows you to set heating unit on a lower setting without affecting your comfort.



Parrot Uncle

F8265110V

Installation & Operating Instructions for the Parrot uncle Owner's Installation ,Manual

WARNING: SHUT POWER OFF AT FUSE OR CIRCUIT BREAKER

Remote controller

INSTRUCTION OF INSTALLATION AND OPERATION

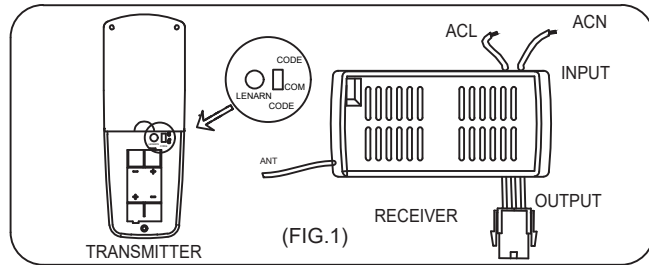
1. INSTALLING RECEIVER IN CEILING FAN

A. Safety precautions

1. WARNING: HIGH VOLTAGE! Disconnect power by removing fuse or switching off circuit breaker.
2. Do not use with solid state fans.
3. Electrical wire must meet all local and national electrical code requirements.
4. Supply for fan must be 110/120 volt, 60Hz, 3.5A
5. Maximum fan motor amps: 1.0.
6. Maximum light watts: 180 incandescent or ballast and LED.
7. To Reduce the risk of shock, this fan must be installed with a wall switch/control.

B. Installing receiver in fan

1. Remove power from the circuit.
2. Remove ceiling fan canopy from the mounting bracket.
3. Disconnect existing wiring between ceiling fan and Supply in electrical junction box.
4. Make connections as follows, using the wire nuts supplied.

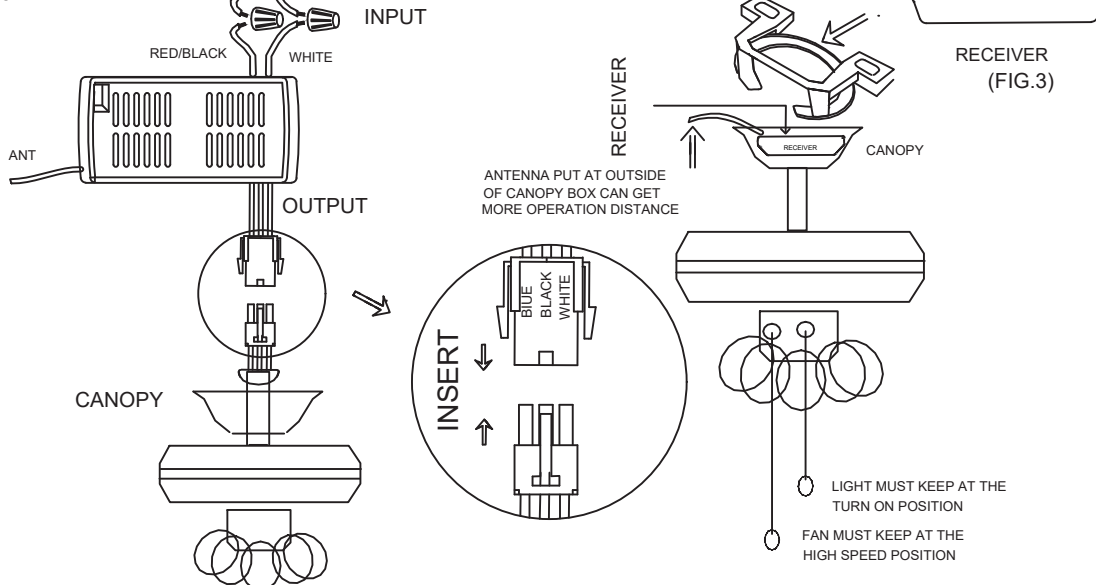


CAUTION: Ceiling Angle Shall Not Exceed 30 Degrees, For Mounting Controller. Models GA012

CONNECT TO

Red/Black receiver wire(AC IN L).....Red/Black supply wire
 White receiver wire(AC IN N).....White supply wire
 White receiver wire(TO MOTOR N)...White fan wire
 Black receiver wire(TO MOTOR L)...Black fan wire
 Blue receiver wire(FOR LIGHT)...Blue light wire

FROM POWER SOURCE AC 110~120 VOLT 60Hz 3.5AMPS. Use wire connecting nuts supplied with the fan. (FIG.2)



If other fans or supply wires are different color, have this unit installed by qualified licensed electrician.

- a. Push all connected wires up into junction box.
- b. Lay the brown antenna wire on top of the receiver, and put the receiver into the mounting bracket.
- c. Reinstall the canopy on the mounting bracket.
- d. Restore power.
- e. Install 1.5 volt battery. (To prevent damage to transmitter, remove the battery if not used for a long time).
- f. Store the transmitter away from excessive heat or humidity.
- g. This remote control unit is equipped with roll code combinations. In order to prevent possible interference from or to other remote units such as garage door openers, car alarm or security system. If you find that your fan and light kit go on and off without using your remote control, simply change the code combination in your transmitter and receiver



F8265110V

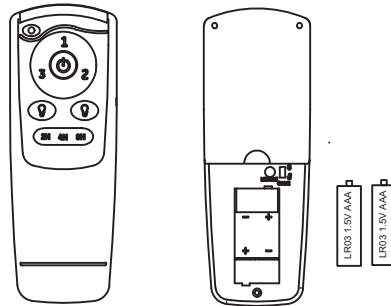
Installation & Operating Instructions for the Parrot uncle Owner's Installation ,Manual

WARNING: SHUT POWER OFF AT FUSE OR CIRCUIT BREAKER

2. OPERATING TRANSMITTER:

Operating the buttons on the panel of the transmitter.

- 3 key -for fan high speed.
- 2 key-for fan medium speed.
- 1 key-for fan low speed.
- OFF key-for fan off.
- LIGHT key-for light on and off.
- 2hr , 4hr , 8hr button to set the FAN sleep timer

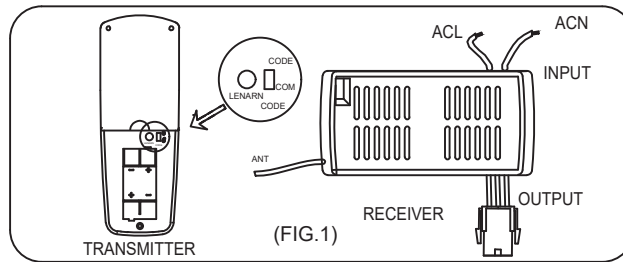


MODEL:GA012
OPERATION DISTANCE 20 FEET

YOUR REMOTE NOW HAS FULL CONTROL OF THE FAN AND LIGHT.

3.TROUBLE SHOOTING GUIDE

- a.Power to receiver?
- b.Receiver wired correctly?
- c.Fan manual speed control in highest position?
- d.Light kit switch turned on?
- e.Good battery in the transmitter?



If there are two or more ceiling fans installed in the same house, in order to prevent your ceiling fans from being affected by the remote control of the adjacent ceiling fans, first turn the switch in each remote control transmitter to the CODE(UP) position (see the schematic diagram FIG1) Remarks: The standard state of the transmitter is in the down code COM.

(Power-off means you need to use a wall switch to shut down the power of the ceiling fan, if you do not have a wall switch, please power off the whole room from the air circuit-breaker for each room)

After installing the remote control receiver on the ceiling fan

1: Turn on the power of the 1# ceiling fan receiver (the power of the 2# receiver is kept in a power-off state), within 30 seconds after the fan power is turned on, press the LEARN button corresponding to the 1# transmitter, then The receiver will learn the transmitter code. When the transmitter code is learned successfully, the light of the ceiling fans will flash twice, and then it can be used normally.

2: Turn on the power of the 2# ceiling fan receiver (the power of the 1# receiver is kept in a power-off state), within 30 seconds after the fan power is turned on, press the LEARN button corresponding to the 2# transmitter, then The receiver will learn the transmitter code. When the transmitter code is learned successfully, the light of the ceiling fans will flash twice, and then it can be used normally.

And so on, only one ceiling fan is powered on each time the corresponding transmitter learns.

After the 1# and 2# remote control transmitters have been successfully learned, turn on the power of the two ceiling fans. At this time, the 1# transmitter and the 2# transmitter can be used separately for one ceiling fan.

FCC Statement:

This device complies with Part 15 of the FCC Rules. Operation is subject to the following two conditions.

This device may not cause harmful interference.

This device must accept any interference received, including interference that may cause undesired operation.

Changes or modifications not expressly approved by the party responsible for compliance could void the user's authority to operate the equipment.

NOTE: This equipment has been tested and found to comply with the limits for a Class B digital, pursuant to Part 15 or the FCC Rules. These limits are designed to provide reasonable protection against harmful interference in a residential installation. This equipment generates, uses and can radiate radio frequency energy and, if not installed and used in accordance with the instructions, may casue harmful interference to radio communications,

However, there is no guarantee that interference will not occur in a particular installation. If the equipment does cause harmful interference to radio or television reception, which can be determined by turning the equipment off and on, the user is encouraged to try to correct the interference by one or more of the following measures:

- Reorient or relocate the receiving antenna.
- Increase the separation between the equipment and receiver.
- Connect the equipment into an outlet on a circuit different from that to which the receiver is connected.
- Consult the dealer or an experienced radio/ TV technician for help.

WARNING:

Do NOT install this fan with variable speed wall control or wall-mounted dimmer switch. It will permanently damage the fan's remote control and cause the fan's function to fail.



NO Variable speed wall control



NO Dimmer switch

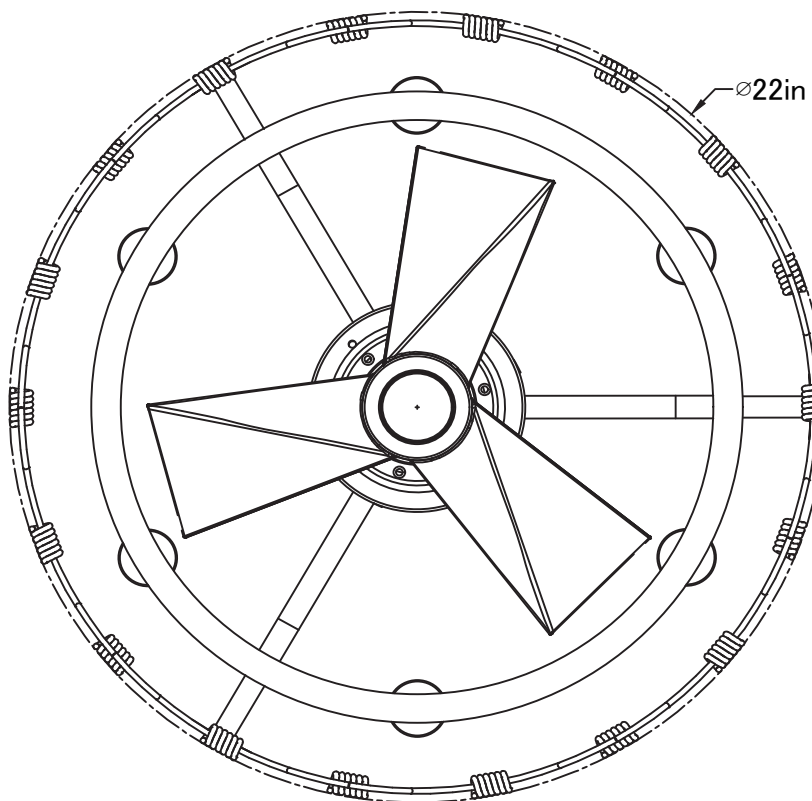
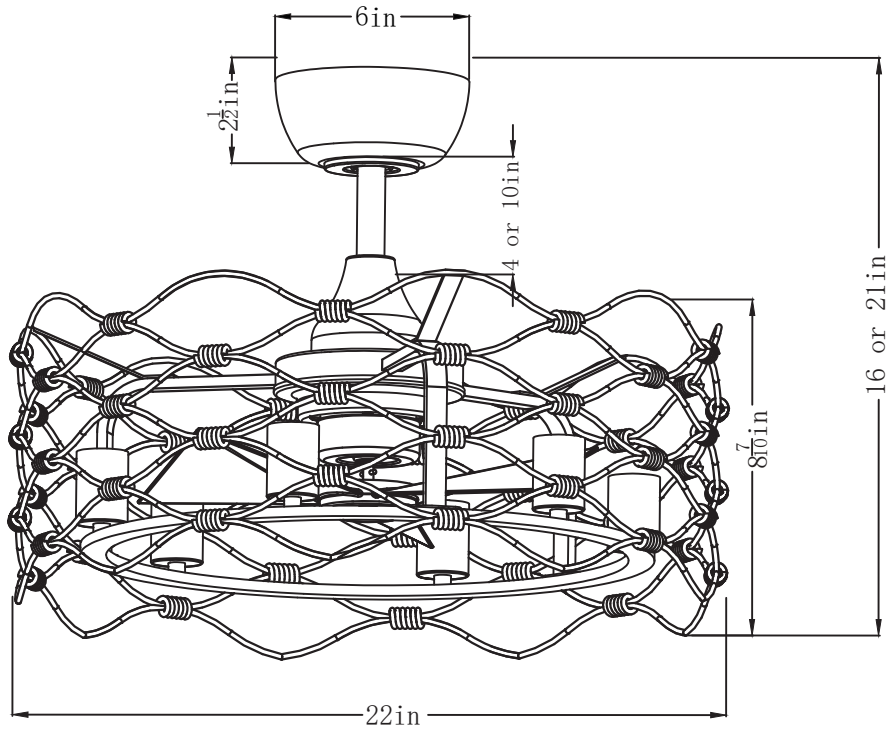


F8265110V

Installation & Operating Instructions for the
Parrot uncle Owner's Installation ,Manual

WARNING: SHUT POWER OFF AT FUSE OR CIRCUIT BREAKER

size of product





Parrot Uncle

F8265110V

Installation & Operating Instructions for the
Parrot uncle Owner's Installation ,Manual

WARNING: SHUT POWER OFF AT FUSE OR CIRCUIT BREAKER

AFTER INSTALLATION

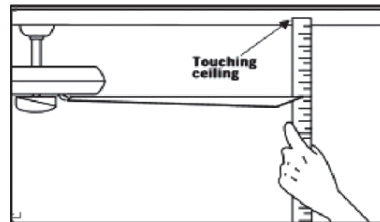
WOBBLE”

The fan blades have been adjusted in the factory to minimize any wobble

NOTE: CEILING FANS TEND TO MOVE DURING OPERATION DUE TO THE FACT THAT THEY ARE MOUNTED ON A RUBBER CROMMET. IF THE FAN WAS MOUNTED RIGIDLY TO THE CEILING, IT WOULD CAUSE EXCESS VIBRATION. MOVEMENT OF A FEW CENTIMENTERS IS QUITE ACCEPTABLE AND DOES NOT SUGGEST ANY PROBLEM

**TO REDUCE THE FAN WOBBLE: PLEASE CHECK THAT ALL SCREWS WHICH SECURED THE MOUNTING BRACKET AND DOWNROD ARE SECURE.
BALANCING A WOBBLING CEILING FAN:**

1. Check that all blade and blade arm screws are secure.
2. Most fan wobbling problems are caused when blade levels are unequal. Check this level by selecting a point on the ceiling above the tip of one of the blades. Measure this distance. Rotate the fan until the next blade is positioned for measurement. Repeat for each blade. The distance deviation should be equal within 1/8" (0.32cm).



3. If the blade wobble is still noticeable, interchanging two adjacent (side by side) blades can redistribute the weight

and possibly result in smoother operation. **WARNING: TO REDUCE THE RISK OF PERSONAL INJURY, DO NOT BEND THE BLADE ARM WHILE INSTALLING, BALANCING THE BLADES, OR CLEANING THE FAN. DO NOT INSERT FOREIGN OBJECTS BETWEEN ROTATING FAN BLADES.**

NOISE

When it is quiet (especially at night) you may hear occasional small noises. This is normal. Please allow a 24-hour "breaking-in" period, most noises associated with a new fan disappear during the time.

CARE AND CLEANING

1. Periodic cleaning of your ceiling fan is the only maintenance required. Use a soft brush or lint free cloth to avoid scratching the paint finish. Please make sure to turn off electricity power before you clean your fan
2. Do not use water when cleaning your ceiling fan. It could damage the motor or the blades and create the possibility of an electrical shock.
3. Motor has permanently lubricated ball bearing. No need to oil

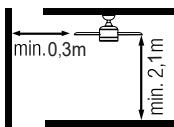
NOTE: MAKE SURE THE POWER IS OFF AT THE ELECTRICAL PANEL BOX BEFORE YOU ATTEMPT ANY CLEANING OR REPAIRS.

Información de Sicherheit


1. Para reducir el riesgo de un golpe eléctrico, la electricidad en el interruptor de protección o la caja de seguridad se apagó antes de comenzar.
2. Todo el cableado debe corresponder al código eléctrico nacional NASI/NFPA 70-1999 y a las regulaciones eléctricas locales. La instalación eléctrica debe ser realizada por un electricista calificado y aprobado.
3. El cuadro de conexión y la construcción de soporte deben ensamblarse de forma segura y 35 libras (15.9 kilos) deben poder transportar de manera confiable. Use solo cajas de salida enumeradas con el etiquetado


"Aceptado para los fanáticos con un peso de £ 35 (15.9 kilos) o menos".


4. El ventilador debe instalarse con una distancia mínima de 2,1 m (7 pies) desde el borde posterior de las aspas hasta el suelo. Asegúrese de que hay un espacio de al menos 30 cm entre las aspas del ventilador y cualquier pared. las aspas del ventilador y cualquier pared u otro obstáculo con el que pudieran chocar. Es importante tener en cuenta que cuanto mayor sea la distancia, más eficaz será el flujo de aire. Es importante tener en cuenta que cuanto mayor sea la distancia, más eficaz será el flujo de aire.





5. No opere el interruptor inverso si las alas del ventilador están en movimiento. Tienes que apagar el ventilador y detener las alas antes de revertir la dirección del ala.
6. No coloque objetos en el camino de las alas.
7. Para evitar lesiones o daños al ventilador y otros objetos, tenga cuidado si trabaja en el ventilador o lo limpia.
8. Los diagramas eléctricos solo sirven como referencia. Las tasas de iluminación que no se entregan con el ventilador deben estar enumeradas y marcadas con el modelo de válvula que se instalarán para su uso. Los interruptores deben ser interruptores de uso general UL. Tenga en cuenta las instrucciones para la instalación adecuada que se incluyeron en las tasas de iluminación y los interruptores.


 **ADVERTENCIA:** Para reducir el riesgo de lesiones, los soportes de cuchillo no pueden doblarse durante la instalación o después de la instalación. No ponga ningún objeto en el camino de las alas.

 **ADVERTENCIA:** Retire los ataques del motor de goma en la parte inferior del ventilador antes de montar las alas o probar el motor.

 **ADVERTENCIA:** para evitar el riesgo de un incendio o un golpe eléctrico, este ventilador no debe usarse con un controlador de velocidad semiconductor.

 **ADVERTENCIA:** Para evitar una posible descarga eléctrica, apague la corriente en la caja de seguridad principal antes del cableado. Si siente que no tiene suficiente conocimiento o experiencia en cableado eléctrico, comuníquese con un electricista con licencia.

 **ADVERTENCIA:** los diagramas eléctricos solo sirven como referencia. El uso opcional de una tasa de iluminación debe estar en la lista y marcado con este ventilador para su uso.

 **ADVERTENCIA:** Para reducir el riesgo de incendios, descargas eléctricas o lesiones, ensamble el dispositivo en un zócalo que con la inscripción "aceptada para los ventiladores con un peso de £ 35) o menos". está marcado y use los tornillos suministrados con el enchufe.

9. Después de que se hayan realizado las conexiones eléctricas, la escalera del tamaño se debe girar hacia arriba y empujar cuidadosamente a la caja de enchufe. Los cables deben distribuirse de tal manera que el conductor conectado a tierra y el cabezal del dispositivo estén a un lado del zócalo.

Todos los tornillos de fijación deben verificarse antes de la instalación y, si es necesario, seguido.

INFORMACIÓN TÉCNICA

SKU	voltaje nominal	Salida nominal (motor)	luz
F8265110V	110-120V AC	40W	6*E26 MAX.25W (no incluida)



Parrot Uncle

F8265110V

Instrucciones de instalación y operación para la instalación del propietario de Parrotuncle, manual

ADVERTENCIA: Apague la energía en el fusible o el interruptor de circuito



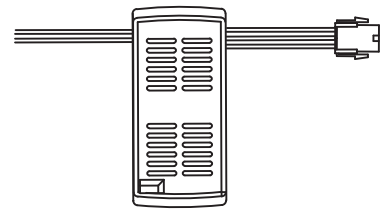
Tornillo de montaje (2PCS)



Arandela (2PCS)



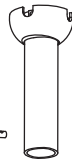
Tuerca de plástico (3PCS)



Mando a distancia (1PC)



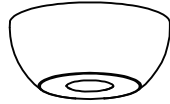
Soporte de montaje



Conjunto de bola/varilla de descenso de 4" y varilla de descenso de 10"

Perno

Pasador de bloqueo "R"



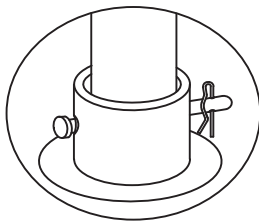
Toldo



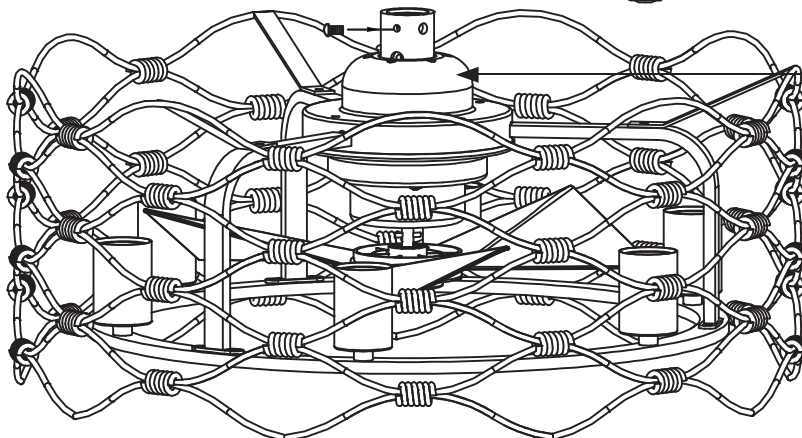
Tapa del tejadillo



Cubierta de acoplamiento



X6 Bombilla (no incluida)



Conjunto ventilador-motor

Compruebe si los accesorios anteriores están completos o no? Sí, e instálelos.



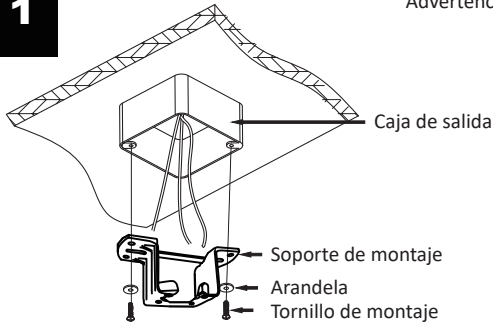
Parrot Uncle

F8265110V

Instrucciones de instalación y operación para la instalación del propietario de Parrotuncle, manual

ADVERTENCIA: Apague la energía en el fusible o el interruptor de circuito

1



Advertencia: Si no se desconecta la alimentación eléctrica antes de la instalación, pueden producirse lesiones graves.

Por razones de seguridad y para obtener los mejores resultados de funcionamiento, le recomendamos que encargue la instalación de este ventilador a un electricista cualificado.

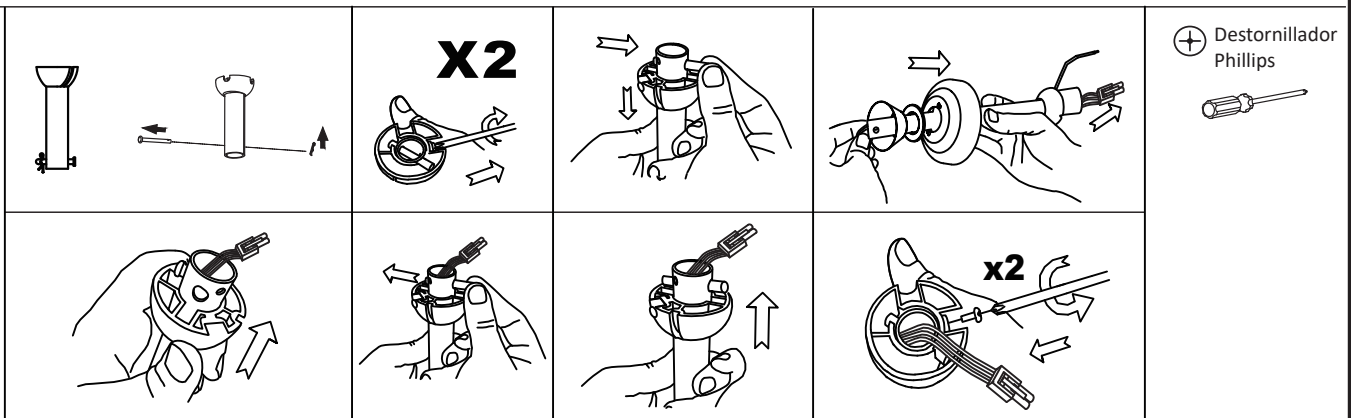
Fije el soporte de montaje a la caja de salida apretando los tornillos y arandelas de montaje.

El ventilador de techo debe instalarse en un lugar con una distancia mínima de 300 mm desde la punta de las aspas hasta los objetos o paredes más cercanos. Fije el soporte de montaje a la vigueta del techo o a una estructura capaz de soportar una carga de al menos 15,9 kg, con los dos tornillos largos suministrados.

Asegúrese de que al menos 30 mm de los tornillos se enroscan en el soporte.

Nota: Para facilitar el cableado, pase los cables domésticos a través del soporte de montaje.

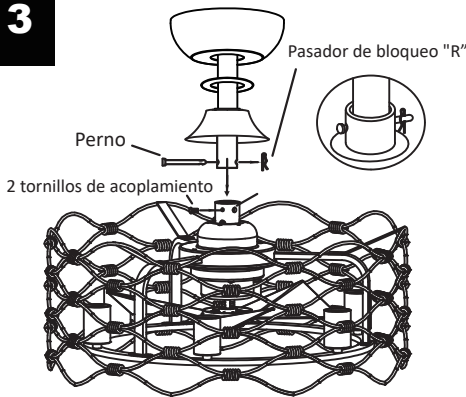
2



Retire el perno, el pasador de bloqueo "R" y los 2 tornillos de fijación de la varilla inferior y, a continuación, desmonte la bola de suspensión.

Introduzca el enchufe del cable del motor por el interior de la varilla y apriete firmemente los 2 tornillos de fijación de la bola de suspensión.

3



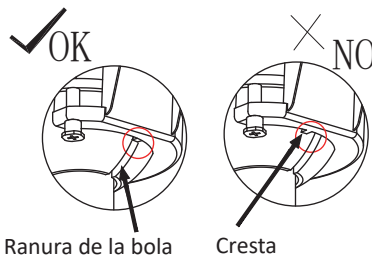
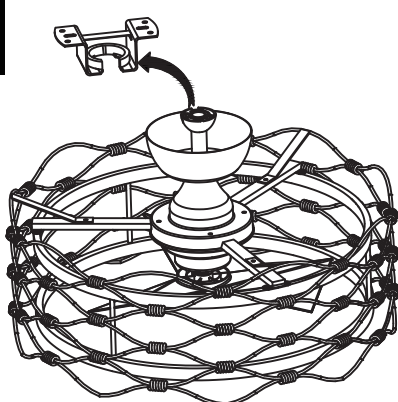
Inserte la varilla de bajada en el acoplamiento.

Perno Empuje suavemente el perno a través de los orificios alineados con la base del acoplamiento y la varilla de bajada.

Inserte el pasador de bloqueo "R" en el perno y fije la varilla con 2 tornillos de fijación.

PRECAUCIÓN: NO fuerce el perno, gírelo suavemente hasta que se deslice en los dos orificios. en los dos orificios.

4



Cuelgue el ventilador en el soporte de montaje.

Alinee la ranura de la bola de suspensión con el borde del soporte de suspensión. Si el ventilador no se instala correctamente, sujete la varilla de caída y gírela hasta que el ventilador quede fijado en el soporte de suspensión.

ADVERTENCIA: Si no se alinea la ranura de la bola con el reborde pueden producirse lesiones graves.



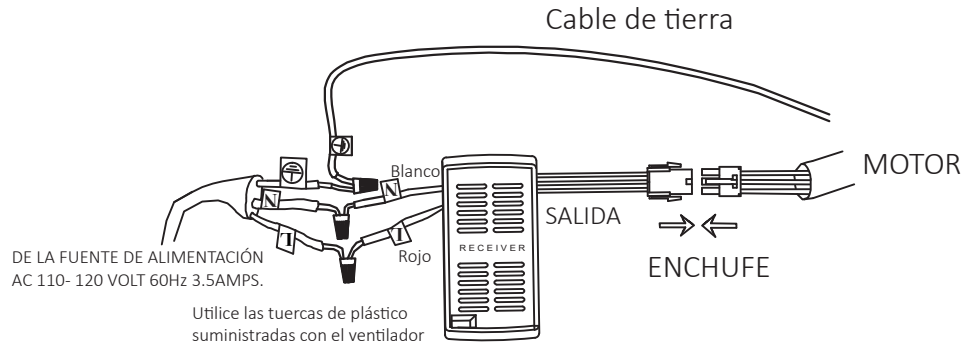
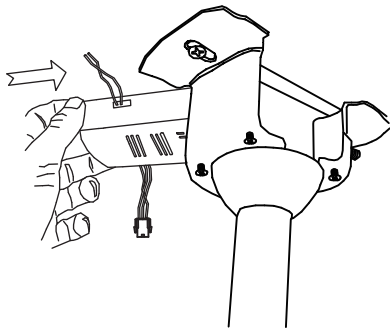
Parrot Uncle

F8265110V

Instrucciones de instalación y operación para la instalación del propietario de Parrotuncle, manual

ADVERTENCIA: Apague la energía en el fusible o el interruptor de circuito

5

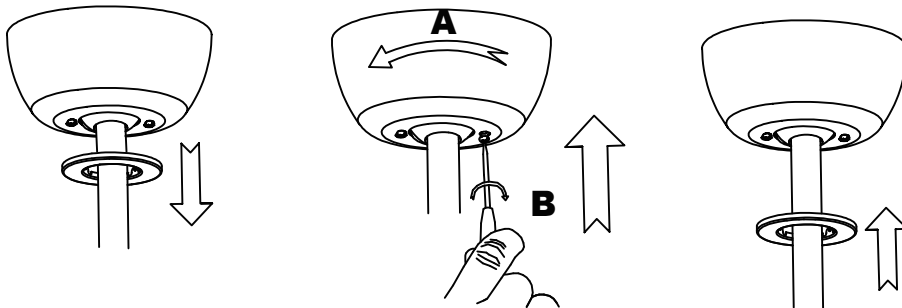


ADVERTENCIA: Para evitar el riesgo de descarga eléctrica, asegúrese de que la corriente está desconectada en la caja de fusibles principal antes de realizar el cableado.

Inserte el receptor en el soporte de montaje con el lado plano del receptor mirando hacia el techo.

Realice las conexiones entre el ventilador y la fuente de alimentación y asegúrese de que todas las conexiones son seguras.

6



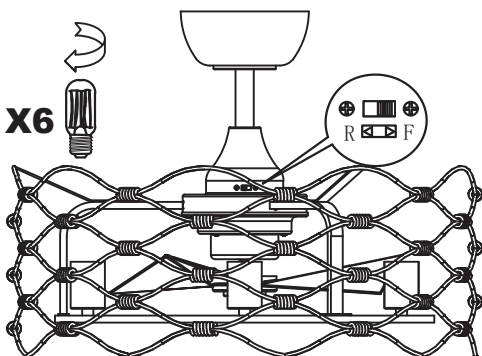
Retire la cubierta del tejadillo (si está instalada).

Deslice la cubierta hacia el techo y alinee las ranuras de la cerradura de la cubierta con los 2 tornillos premontados del soporte de suspensión. Gire en el sentido de las agujas del reloj hasta que encaje. Apriete los dos tornillos para fijar el toldo.

Enganche la lona en el toldo.

7

Instale 6 bombillas E26 MAX.25 vatios (no incluidas)



Los ajustes de velocidad adecuados para clima cálido o fresco dependen de factores como el tamaño de la habitación, la altura del techo y el número de ventiladores.

El interruptor silde(XX) controla la dirección de las aspas: hacia delante (interruptor derecho) o hacia atrás (interruptor izquierdo).



NOTA: Espere a que el ventilador se detenga antes de invertir el sentido de giro de las aspas.



A. Clima caluroso (VERANO) - (Frontal) Un flujo de aire descendente crea un efecto de enfriamiento. Esto le permite ajustar su acondicionador de aire a un nivel más alto sin afectar su comodidad.



B. Tiempo frío (INVIERNO) - Un flujo de aire ascendente desplaza el aire caliente del techo, lo que le permite ajustar su unidad de calefacción a un nivel más bajo sin afectar a su confort.



Parrot Uncle

F8265110V

Instrucciones de instalación y operación para la instalación del propietario de Parrotuncle, manual

ADVERTENCIA: Apague la energía en el fusible o el interruptor de circuito

Mando a distancia

INFORMACIÓN GENERAL

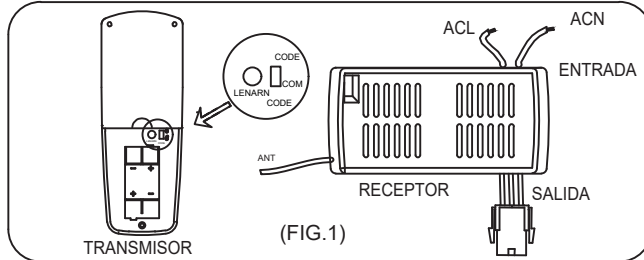
1. INSTALACIÓN DEL RECEPTOR EN EL VENTILADOR DE TECHO

A. Precauciones de seguridad

1. ADVERTENCIA: ¡ALTA TENSIÓN! Desconecte la alimentación quitando el fusible o desconectando el disyuntor.
2. No utilizar con ventiladores de estado sólido.
3. El cable eléctrico debe cumplir con todos los requisitos de los códigos eléctricos locales y nacionales.
4. El suministro para el ventilador debe ser de 110/120 voltios, 60 Hz, 3,5 A.
5. Amperios máximos del motor del ventilador: 1,0.
6. Vatios de luz máximos: 180 incandescentes o balasto y LED.
7. Para reducir el riesgo de descarga eléctrica, este ventilador debe instalarse con un interruptor/mando de pared.

B. Instalación del receptor en el ventilador CONECTAR A

1. Quite la corriente del circuito.
2. Retire la campana del ventilador de techo del soporte de montaje.
3. Desconecte el cableado existente entre el ventilador de techo y el suministro en la caja de conexiones eléctricas.
4. Haga las conexiones como se indica a continuación, utilizando las tuercas para cables suministradas.



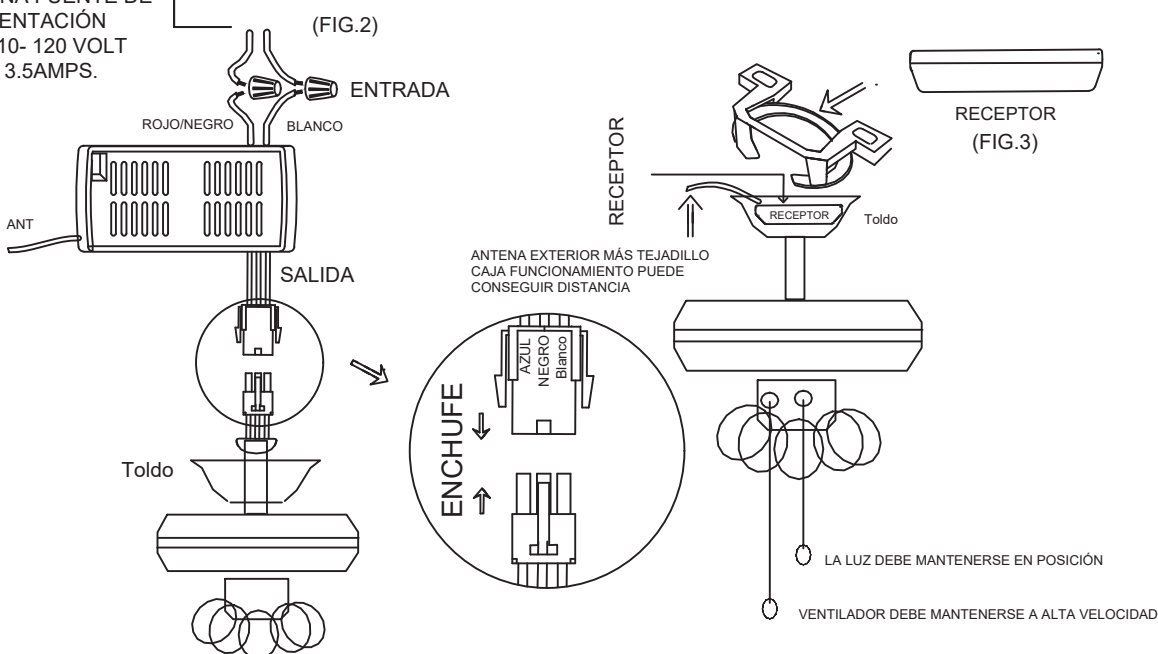
ATENCIÓN: El ángulo del techo no debe superar los 30 grados, Para el controlador de montaje, modelo RE-022

CONECTAR A Cable

Cable receptor rojo o negro (AC IN L).....Cable de alimentación rojo o negro
 Cable receptor blanco (AC IN N)....Cable de alimentación blanco
 Cable blanco del receptor (AL MOTOR N)....Cable blanco del ventilador
 Cable negro del receptor (AL MOTOR L)....Cable negro del ventilador
 Cable azul del receptor (para la luz)Cable azul de la luz

DE UNA FUENTE DE ALIMENTACIÓN AC 110- 120 VOLT 60Hz 3.5AMPS.

Utilice las tuercas de conexión suministradas con el ventilador



Si otros ventiladores o cables de alimentación son de otro color, haga instalar esta unidad por un electricista cualificado y autorizado.

1. Introduzca todos los cables conectados en la caja de conexiones.
 2. Coloque el cable de antena marrón sobre el receptor, y coloque el receptor en el soporte de montaje.
 3. Vuelva a instalar la cubierta en el soporte de montaje.
 4. Restablezca la alimentación eléctrica.
 5. Instale una pila de 1,5 voltios . (Para evitar daños en el transmisor, retire la batería si no va a utilizarlo durante un periodo prolongado).
 6. Guarde el transmisor alejado del calor o la humedad excesivos.
 7. Este mando a distancia está equipado con combinaciones de códigos de rodillo.
- Para evitar posibles interferencias con otros mandos a distancia como abridores de puertas de garaje, alarmas de coche o sistemas de seguridad. Si observa que el ventilador y el juego de luces se encienden y apagan sin la ayuda del mando a distancia, sólo tiene que cambiar la combinación de códigos del transmisor y del receptor.



Parrot Uncle

F8265110V

Instrucciones de instalación y operación para la instalación del propietario de Parrotuncle, manual

ADVERTENCIA: Apague la energía en el fusible o el interruptor de circuito

2. TRANSMISOR EN FUNCIONAMIENTO

Utilización de los botones del panel del transmisor.

Botón 3 - para velocidad alta del ventilador.

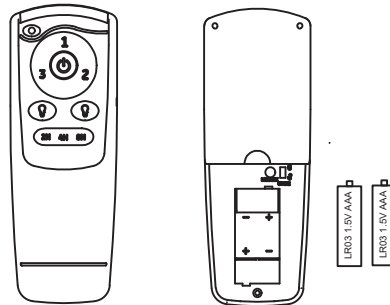
Botón 2 - para velocidad media del ventilador.

Botón 1 - para velocidad baja del ventilador.

Botón OFF para parar el ventilador.

Botón LIGHT para encender y apagar la luz.

2Botón 2hr , 4hr , 8hr para ajustar el temporizador de apagado del ventilador.



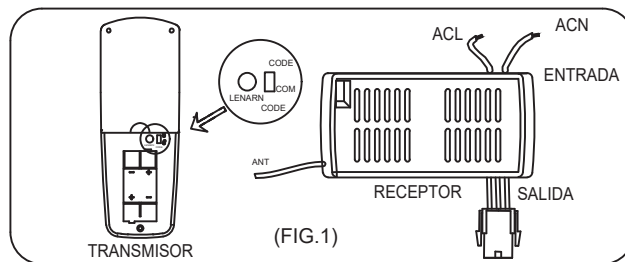
MODELO: GA012

DISTANCIA DE FUNCIONAMIENTO 20 PIES

SU MANDO A DISTANCIA AHORA TIENE EL CONTROL TOTAL DEL VENTILADOR Y LA LUZ.

3.GUÍA DE SOLUCIÓN DE PROBLEMAS

- Fuente de alimentación del receptor?
- Está el receptor correctamente cableado?
- Está el control manual de velocidad del ventilador en la posición alta?
- Está encendido el interruptor del kit de luces?
- Está en buen estado la batería del transmisor?



Si hay dos o más ventiladores de techo instalados en la misma casa, para evitar que sus ventiladores de techo se vean afectados por el mando a distancia de ventiladores de techo adyacentes, gire primero el interruptor de cada transmisor de mando a distancia a la posición CÓDIGO (ARRIBA) (consulte el diagrama FIG1). Notas: El estado estándar del transmisor es en la posición CÓDIGO (ARRIBA)).

(Apagar significa que debe utilizar un interruptor de pared para cortar el suministro eléctrico al ventilador de techo, si no tiene un interruptor de pared, por favor apague toda la habitación desde el disyuntor de aire de cada habitación)

Después de instalar el receptor del mando a distancia en el ventilador de techo

1: Encienda el receptor 1# del ventilador de techo (el receptor 2# permanece apagado), en los 30 segundos siguientes al encendido del ventilador, pulse el botón LEARN correspondiente al transmisor 1#, entonces el receptor aprenderá el código del transmisor.

Cuando el código del transmisor se haya aprendido con éxito, los ventiladores de techo parpadearán dos veces y podrán utilizarse con normalidad.

2: Encienda el ventilador de techo receptor 2# (el receptor 1# permanece apagado), antes de que transcurran 30 segundos desde que se enciende el ventilador, pulse el botón del mando a distancia. 30 segundos después de encender el ventilador, pulse el botón LEARN correspondiente al transmisor 2#, entonces el receptor aprenderá el código del transmisor.

Cuando el código del transmisor se haya aprendido correctamente, los ventiladores de techo parpadearán dos veces y podrán utilizarse con normalidad.

Y así sucesivamente, sólo se enciende un ventilador de techo cada vez que se aprende el transmisor correspondiente.

Una vez memorizados los emisores 1# y 2#, encienda ambos ventiladores de techo. En este momento, el transmisor 1# y el transmisor 2# pueden utilizarse por separado para un ventilador de techo.

Declaración FCC :

Este aparato cumple el apartado 15 de la normativa FCC. Su funcionamiento está sujeto a las dos condiciones siguientes.

Este aparato no debe causar interferencias perjudiciales.

Este dispositivo debe aceptar cualquier interferencia recibida, incluyendo interferencias que puedan causar un funcionamiento no deseado.

Los cambios o modificaciones no aprobados expresamente por la parte responsable del cumplimiento podrían anular la autorización del usuario para utilizar el equipo. autorización para utilizar el equipo.

NOTA: Este equipo ha sido probado y cumple los límites establecidos para los dispositivos digitales de Clase B, de acuerdo con la Parte 15 de las normas de la FCC. Estos límites están diseñados para proporcionar una protección razonable contra interferencias perjudiciales en una instalación residencial. Este equipo genera, utiliza y puede irradiar energía de radiofrecuencia y, si no se instala y utiliza de acuerdo con las instrucciones, puede causar interferencias perjudiciales en las comunicaciones por radio,

Sin embargo, no se garantiza que no se produzcan interferencias en una instalación concreta. Si este equipo causa interferencias perjudiciales en la recepción de radio o televisión, lo cual puede determinarse apagando y encendiendo el equipo, se recomienda al usuario que intente corregir la interferencia mediante una o más de las siguientes medidas:

- Reorientar o reubicar la antena receptora.
- Aumente la separación entre el equipo y el receptor.
- Conecte el equipo a una toma de corriente de un circuito distinto al que está conectado el receptor.
Conecte el equipo a una toma de corriente de un circuito distinto al que está conectado el receptor.
- Consulte al distribuidor o a un técnico de radio/TV experimentado para obtener ayuda.

ADVERTENCIA:

NO instale este ventilador con un control de pared de velocidad variable o un regulador de pared. Si lo hace, dañará permanentemente el mando a distancia del ventilador y provocará su avería.



NO Mando de pared de velocidad variable



NO Regulador de intensidad



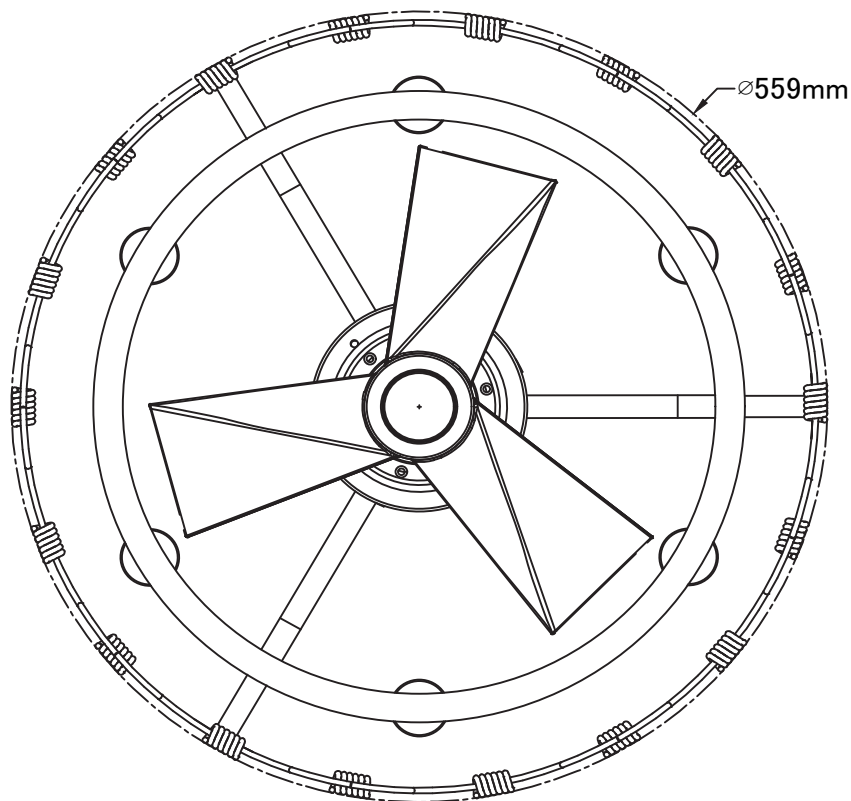
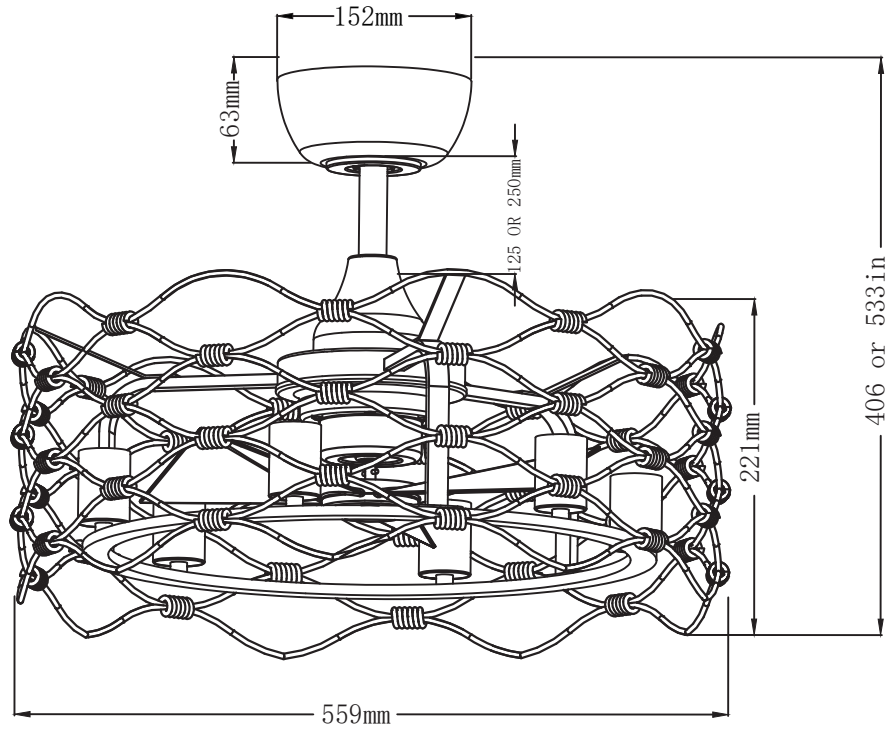
Parrot Uncle

F8265110V

Instrucciones de instalación y operación para la
instalación del propietario de Parrotuncle, manual

ADVERTENCIA: Apague la energía en el fusible o el interruptor de circuito

dimensión del producto





Parrot Uncle

F8265110V

Instrucciones de instalación y operación para la instalación del propietario de Parrotuncle, manual

ADVERTENCIA: Apague la energía en el fusible o el interruptor de circuito

DESPUÉS DE LA INSTALACIÓN

OSCILACIÓN"

Las aspas del ventilador han sido ajustadas en fábrica para minimizar cualquier oscilación.

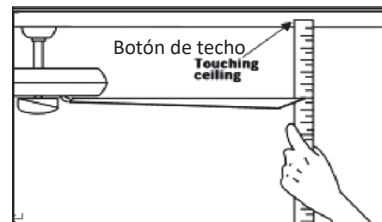
NOTA: LOS VENTILADORES DE TECHO TIENDEN A MOVERSE DURANTE SU FUNCIONAMIENTO PORQUE ESTÁN MONTADOS SOBRE UNA ARANDELA DE GOMA. SI EL VENTILADOR ESTUVIERA MONTADO RÍGIDAMENTE EN EL TECHO, PROVOCARÍA VIBRACIONES EXCESIVAS. UN MOVIMIENTO DE POCOS CENTÍMETROS ES PERFECTAMENTE ACEPTABLE Y NO PLANTEA NINGÚN PROBLEMA.

PARA REDUCIR LA OSCILACIÓN DEL VENTILADOR: COMPRUEBE QUE TODOS LOS TORNILLOS QUE FIJAN EL MONTAJE

**EL SOPORTE Y LA VARILLA ESTÁN BIEN FIJADOS.
EQUILIBRAR UN VENTILADOR DE TECHO OSCILANTE :**

1. compruebe que todos los tornillos de las aspas y del brazo de las aspas están bien apretados.
2. La mayoría de los problemas de oscilación del ventilador se deben a un desnivel en el nivel de las aspas. Compruebe este nivel eligiendo un punto en el techo por encima de la punta de una de las aspas. Mida esta distancia. Gire el ventilador hasta que el siguiente aspa esté posicionada para la medición. Repita el procedimiento para cada aspa. La distancia debe ser de 0,32 cm.

.si la oscilación de las aspas sigue siendo perceptible, intercambiar dos aspas adyacentes (una al lado de la otra) puede redistribuir el espacio entre las aspas. dos aspas adyacentes (una al lado de la otra) puede redistribuir el peso y posiblemente permitir un funcionamiento más suave.



ADVERTENCIA: PARA REDUCIR EL RIESGO DE LESIONES, NO DOBLE EL BRAZO DE LAS ASPAS CUANDO INSTALE, EQUILIBRE LAS ASPAS O LIMPIE EL VENTILADOR. NO INTRODUZCA OBJETOS EXTRAÑOS ENTRE LAS ASPAS GIRATORIAS DEL VENTILADOR.

RUIDO

Con tiempo tranquilo (especialmente por la noche), es posible que oiga pequeños ruidos ocasionales. Esto es normal. Permita un periodo de rodaje de 24 horas; la mayoría de los ruidos asociados con un ventilador nuevo desaparecen durante este periodo. La mayoría de los ruidos asociados a un ventilador nuevo desaparecen durante este periodo.

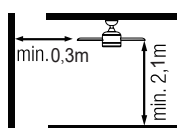
MANTENIMIENTO Y LIMPIEZA

- 1.El único mantenimiento necesario es la limpieza periódica del ventilador de techo. Utilice un cepillo suave o un paño sin pelusa para evitar rayar la pintura. Asegúrese de desconectar el suministro eléctrico antes de limpiar su ventilador.
- 2.No utilice agua para limpiar el ventilador de techo. Podría dañar el motor o las aspas y provocar una descarga eléctrica.
- 3.El motor está equipado con un rodamiento de bolas de lubricación permanente. No es necesario engrasarlo.


NOTA: ASEGÚRESE DE QUE LA CORRIENTE ESTÁ DESCONECTADA EN EL CUADRO ELÉCTRICO ANTES DE REALIZAR CUALQUIER TRABAJO DE LIMPIEZA O REPARACIÓN. NO LIMPIE NI REPARE EL APARATO.


Informations sur Sicherheit


1. Pour réduire le risque de coup électrique, l'électricité sur l'interrupteur de protection ou la boîte de sécurité a été éteinte avant de commencer.
2. Tout le câblage doit correspondre au Code électrique national NASI / NFPA 70-1999 et aux réglementations électriques locales. L'installation électrique doit être effectuée par un électricien qualifié et approuvé.
3. La boîte de connexion et la construction de support doivent être assemblées en toute sécurité et 35 livres (15,9 kilos) doivent être en mesure de transporter de manière fiable. Utilisez uniquement des boîtes de sortie répertoriées avec l'étiquetage "Accepté pour les fans avec un poids de 35 £ (15,9 kilos) ou moins."
4. Le ventilateur doit être installé de manière à ce que les pales soient au moins à 2,1 m du sol. Assurez-vous qu'il y a un espace d'au moins 30cm entre les pales du ventilateur et tout mur ou autre obstacle avec lequel elles pourraient entrer en collision. Il est important de noter que plus la distance est grande, plus le flux d'air sera efficace.





5. Ne faites pas fonctionner l'interrupteur inversé si les ailes du ventilateur se déplacent. Vous devez éteindre le ventilateur et arrêter les ailes avant d'inverser la direction de l'aile.
6. Ne placez pas d'objets sur la route des ailes.
7. Pour éviter les lésions ou les dommages au ventilateur et à d'autres objets, soyez prudent si vous travaillez sur le ventilateur ou le nettoyez.
8. Les diagrammes électriques ne servent que de référence. Les taux d'éclairage qui ne sont pas livrés avec le ventilateur doivent être répertoriés et marqués avec le modèle de vanne qui sera installé pour être utilisé. Les commutateurs doivent être des commutateurs d'utilisation généraux ul. Tenez compte des instructions pour l'installation appropriée incluse dans les taux d'éclairage et les commutateurs.


 AVERTISSEMENT: Pour réduire le risque de blessure, les supports de couteau ne peuvent pas être pliés pendant l'installation ou après l'installation. Ne mettez aucun objet sur le chemin des ailes.

 AVERTISSEMENT: Retirez les attaques de moteur en caoutchouc au bas du ventilateur avant de monter les ailes ou d'essayer le moteur.

 AVERTISSEMENT: Pour éviter le risque d'un incendie ou d'un coup électrique, ce ventilateur ne doit pas être utilisé avec un contrôleur de vitesse semi-conducteur.

 AVERTISSEMENT: Pour éviter un éventuel choc électrique, éteignez le courant dans la boîte de sécurité principale avant le câblage. Si vous pensez que vous n'avez pas suffisamment de connaissances ou d'expérience dans le câblage électrique, communiquez avec un électricien de licence.

 AVERTISSEMENT: Les diagrammes électriques ne servent que de référence. L'utilisation facultative d'un taux d'éclairage doit être sur la liste et marquée avec ce ventilateur à utiliser.

 AVERTISSEMENT: Pour réduire le risque d'incendie, de décharges électriques ou de blessures, assemblez l'appareil dans une prise qui avec l'enregistrement "Accepté pour les fans avec un poids de 35 £) ou moins." Il est marqué et utilise les vis fournies avec la fiche.

9. Une fois les connexions électriques établies, l'escalier de taille doit être tourné et poussé soigneusement vers la boîte de bouchon. Les câbles doivent être distribués de telle manière que le conducteur connecté à la terre et la tête de l'appareil sont à côté de la prise.

Toutes les vis de fixation doivent être vérifiées avant l'installation et, si nécessaire, suivies.

INFORMATION TECHNIQUE

SKU	Tension nominale	Sortie nominale (moteur)	lumière
F8265110V	110-120V AC	40W	6*E26 MAX.25W (Non inclus dans le prix)



Parrot Uncle

F8265110V

Installations d'installation et de fonctionnement pour l'installation du propriétaire de Parrotuncle, manuel

AVERTISSEMENT: éteignez l'énergie dans le fusible ou l'interrupteur de circuit



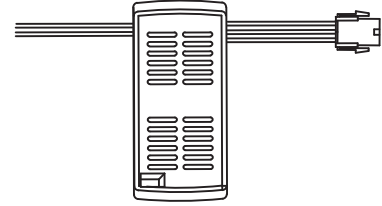
Vis de montage (2PCS)



Rondelle (2PCS)



Ecrou de fil en plastique (3PCS)



Télécommande (1PC)



Support de montage

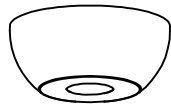


Ensemble boule/tige de descente de 4" et tige de descente de 10"

Boulon



"R" Goupille de verrouillage



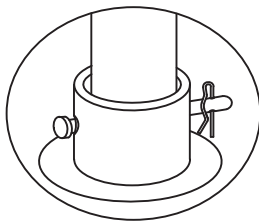
Canopée



Couverture de la canopée

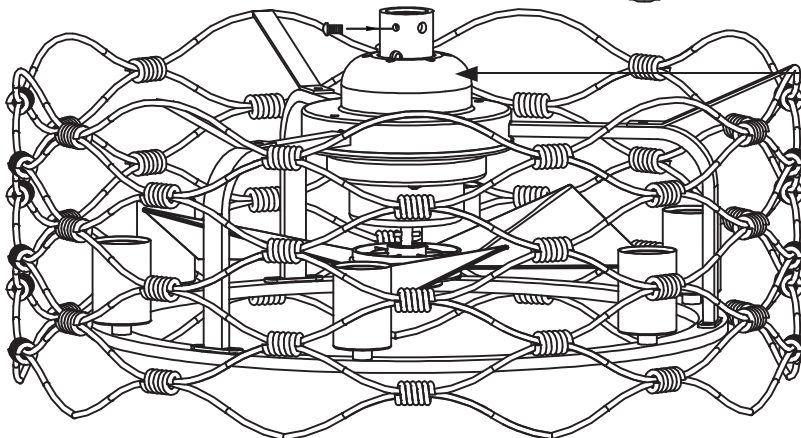


Couvercle d'accouplement



X6

Ampoule (non incluse)



Assemblage ventilateur-moteur

Veuillez vérifier si les accessoires ci-dessus sont terminés ou non? Oui, et installez-les.



Parrot Uncle

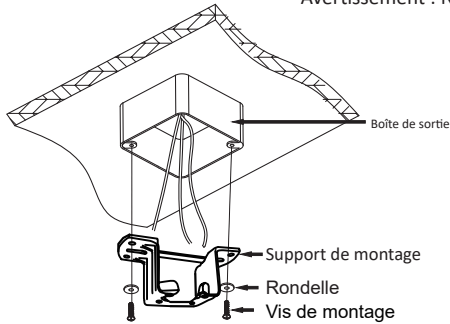
F8265110V

Installations d'installation et de fonctionnement pour l'installation du propriétaire de Parrotuncle, manuel

AVERTISSEMENT: éteignez l'énergie dans le fusible ou l'interrupteur de circuit

1

Avertissement : Ne pas débrancher l'alimentation électrique avant l'installation peut entraîner des blessures graves.



Pour des raisons de sécurité et pour obtenir les meilleurs résultats, il est recommandé de faire installer ce ventilateur par un électricien qualifié.

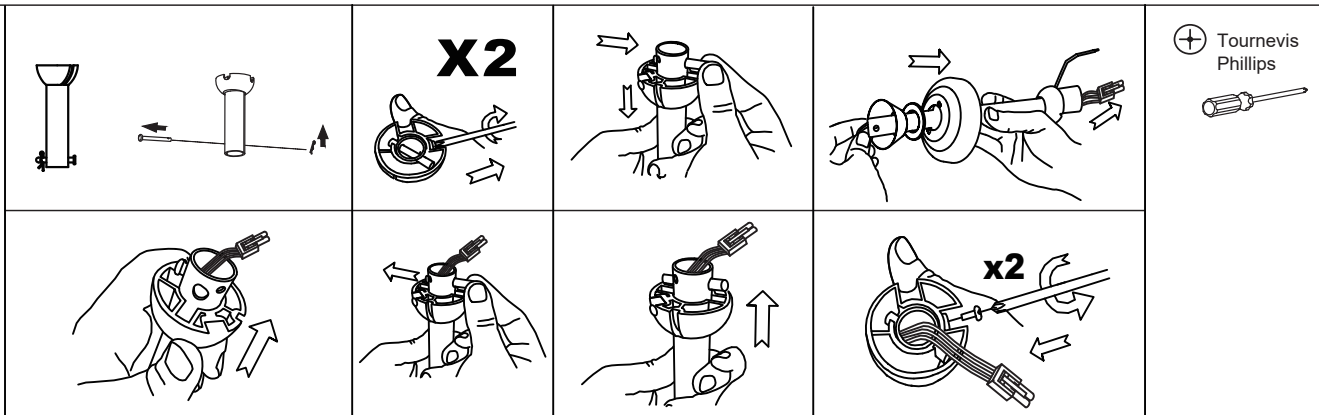
Fixer le support de montage à la boîte de sortie en serrant les vis de montage et les rondelles.

Le ventilateur de plafond doit être installé dans un endroit où l'espace entre l'extrémité de la pale et les objets ou murs les plus proches est d'au moins 300 mm. Fixez le support de montage à la solive du plafond ou à une structure capable de supporter une charge d'au moins 15,9 kg, à l'aide des deux longues vis fournies.

Veillez à ce qu'au moins 30 mm des vis soient vissés dans le support.

Remarque : Pour faciliter le câblage, faites passer les fils de la maison par le support de montage.

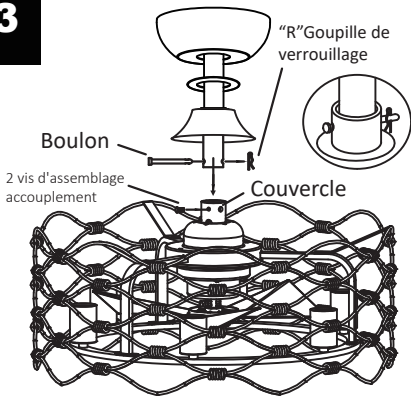
2



Retirer le boulon, la goupille de verrouillage "R" et les 2 vis de réglage de la tige de descente, puis démonter la boule de suspension.

Faire passer la fiche du fil du moteur par l'intérieur de la tige de descente, puis serrer fermement les deux vis de réglage de la boule de suspension.

3



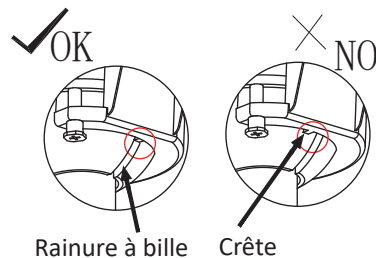
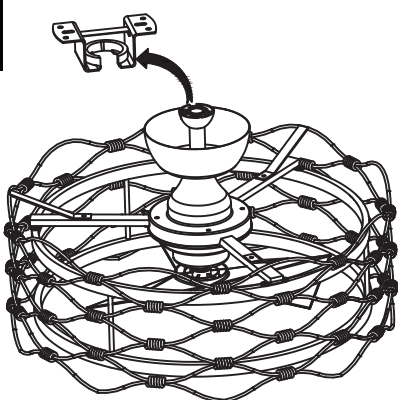
Insérez la tige de descente dans l'accouplement.

Boulon Pousser doucement le boulon à travers les trous alignés avec la base de l'accouplement et de la tige descendante.

Insérez la goupille de verrouillage "R" dans le boulon et fixez la tige descendante à l'aide de 2 vis de blocage.

ATTENTION : NE PAS forcer le boulon, le faire tourner doucement jusqu'à ce qu'il glisse dans les deux trous.

4



Accrocher le ventilateur au support de montage.

Aligner la rainure de la boule de suspension avec l'arête du support de suspension. Si le ventilateur ne s'installe pas correctement, tenir la tige de descente et la tourner jusqu'à ce que le ventilateur soit fixé dans le support de suspension.

AVERTISSEMENT : Le fait de ne pas aligner la rainure de la bille avec l'arête peut entraîner des blessures graves.



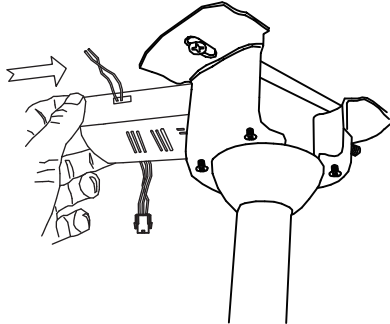
Parrot Uncle

F8265110V

Installations d'installation et de fonctionnement pour l'installation du propriétaire de Parrotuncle, manuel

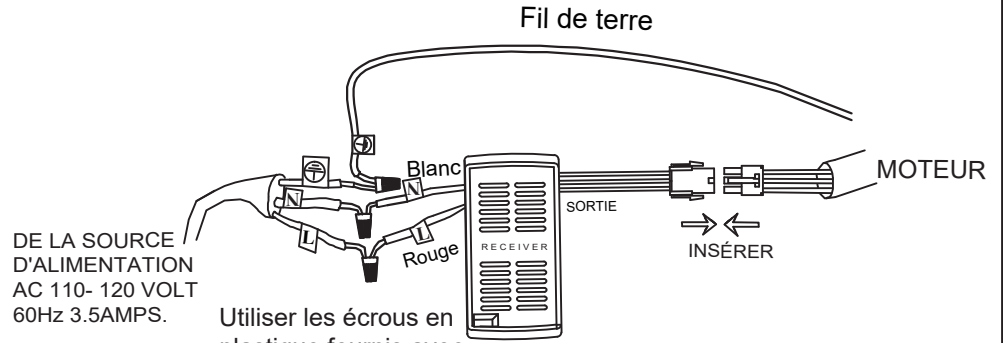
AVERTISSEMENT: éteignez l'énergie dans le fusible ou l'interrupteur de circuit

5



DE LA SOURCE D'ALIMENTATION AC 110- 120 VOLT 60Hz 3.5AMPS.

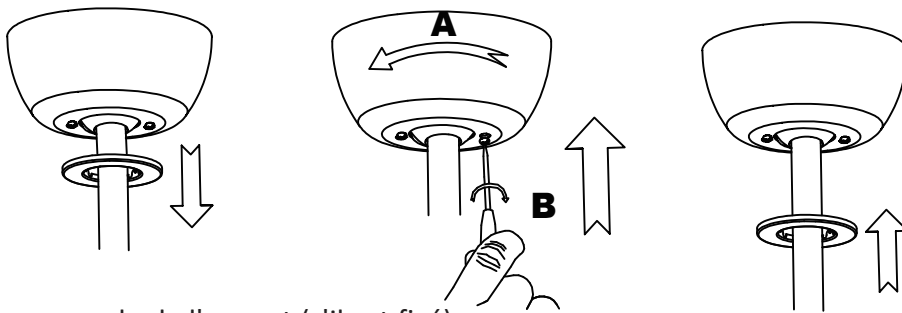
Utiliser les écrous en plastique fournis avec le ventilateur



AVERTISSEMENT : Pour éviter tout risque d'électrocution, assurez-vous que l'électricité est coupée au niveau de la boîte à fusibles principale avant de procéder au câblage.

Insérez le récepteur dans le support de montage, le côté plat du récepteur étant orienté vers le plafond. Effectuez les connexions entre le ventilateur et l'alimentation électrique et assurez-vous que toutes les connexions sont sécurisées.

6



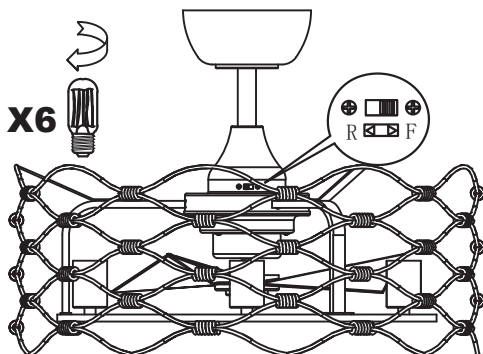
Retirez le couvercle de l'auvent (s'il est fixé).

Faites glisser l'auvent jusqu'au plafond et alignez les fentes en trou de serrure sur l'auvent avec les 2 vis préassemblées sur le support de suspension. Tournez dans le sens des aiguilles d'une montre jusqu'à ce qu'il se verrouille. Serrez les deux vis pour fixer solidement l'auvent.

Clipsez le couvercle de l'auvent pour le fixer sur l'auvent.

7

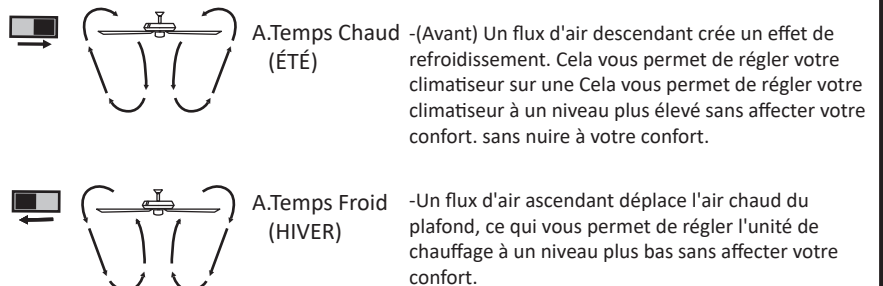
Installer 6 ampoules E26 MAX.25 watts (non incluses)



Les réglages de vitesse appropriés pour un temps chaud ou frais dépendent de facteurs tels que la taille de la pièce, la hauteur du plafond et le nombre de ventilateurs.

L'interrupteur silde(XX) contrôle la direction des pales : vers l'avant (interrupteur à droite) ou vers l'arrière (interrupteur à gauche).

REMARQUE : Attendez que le ventilateur s'arrête avant d'inverser le sens de rotation des pales.



A.Temps Chaud (ÉTÉ) - (Avant) Un flux d'air descendant crée un effet de refroidissement. Cela vous permet de régler votre climatiseur sur une Cela vous permet de régler votre climatiseur à un niveau plus élevé sans affecter votre confort. sans nuire à votre confort.

A.Temps Froid (HIVER) - Un flux d'air ascendant déplace l'air chaud du plafond, ce qui vous permet de régler l'unité de chauffage à un niveau plus bas sans affecter votre confort.



Parrot Uncle

F8265110V

Installations d'installation et de fonctionnement pour l'installation du propriétaire de Parrotuncle, manuel

AVERTISSEMENT: éteignez l'énergie dans le fusible ou l'interrupteur de circuit

Télécommande

INFORMATIONS GÉNÉRALES

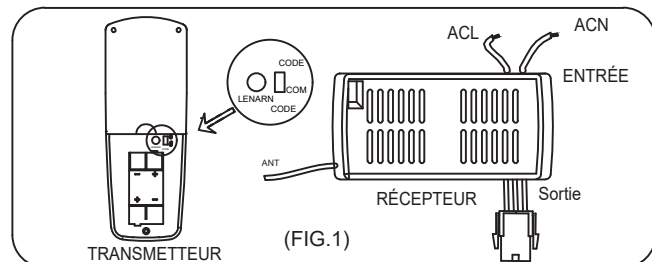
1. INSTALLATION DU RÉCEPTEUR DANS LE VENTILATEUR DE PLAFOND

A. Précautions de sécurité

1. AVERTISSEMENT : HAUTE TENSION ! Couper l'alimentation en retirant le fusible ou en coupant le disjoncteur.
2. Ne pas utiliser avec des ventilateurs à semi-conducteurs.
3. Le fil électrique doit être conforme à toutes les exigences des codes électriques locaux et nationaux.
4. L'alimentation du ventilateur doit être de 110/120 volts, 60Hz, 3,5A.
5. Intensité maximale du moteur du ventilateur : 1,0.
6. Puissance maximale de l'éclairage : 180 watts pour les lampes à incandescence ou les ballasts et les LED.
7. Pour réduire le risque de choc, ce ventilateur doit être installé avec un interrupteur/commande mural.

B. Installation du récepteur dans le ventilateur

1. Couper l'alimentation du circuit.
2. retirer l'auvent du ventilateur de plafond de son support de montage.
3. débrancher le câblage existant entre le ventilateur de plafond et l'alimentation dans la boîte de jonction électrique.
4. effectuer les connexions comme suit, à l'aide des écrous fournis.

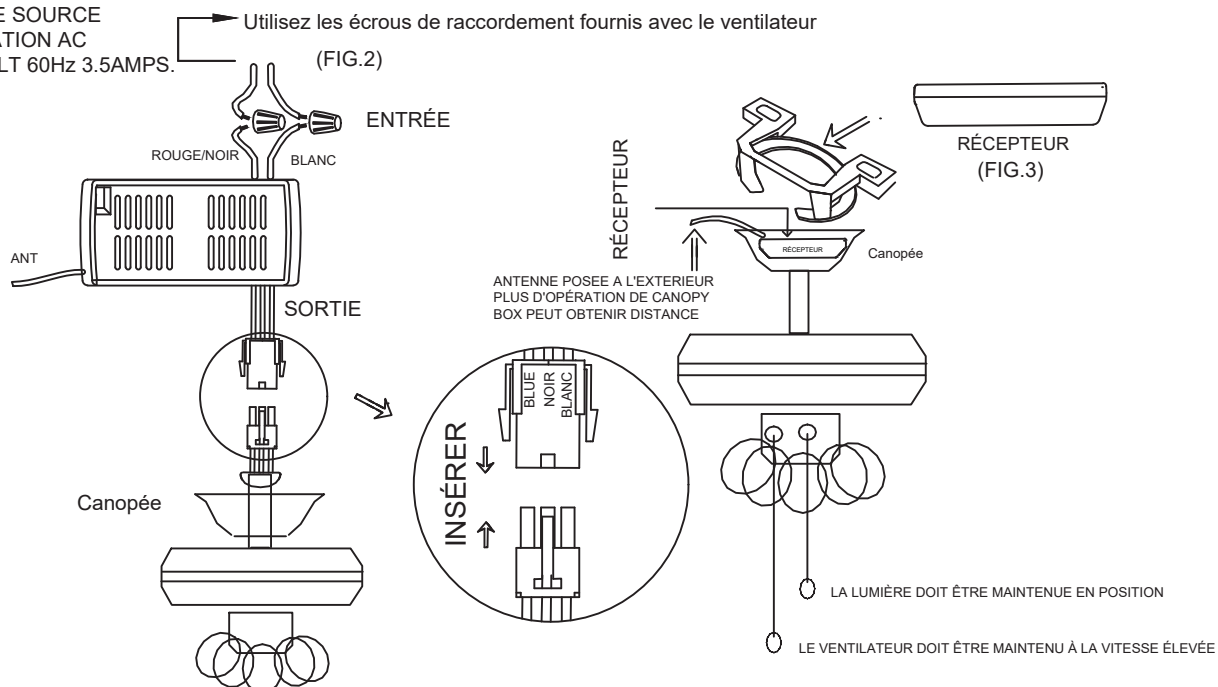


ATTENTION: L'angle Du Plafond Ne Doit Pas Dépasser 30 Degrés, Pour Le Contrôleur de Montage, Modèle RE-022

CONNECT TO Fil

Fil récepteur rouge ou noir (AC IN L)...Fil d'alimentation rouge ou noir
 Fil récepteur blanc (AC IN N)...Fil d'alimentation blanc
 Fil récepteur blanc (TO MOTOR N)...Fil de ventilateur blanc
 Fil récepteur noir (TO MOTOR L)...Fil ventilateur noir
 Fil récepteur bleu (pour la lumière)Fil de lumière bleu

DEPUIS UNE SOURCE D'ALIMENTATION AC 110- 120 VOLT 60Hz 3.5AMPS.



Si d'autres ventilateurs ou fils d'alimentation sont de couleur différente, faites installer cette unité par un électricien qualifié et agréé.

- a. Poussez tous les fils connectés vers le haut dans la boîte de jonction.
- b. Posez le fil d'antenne marron sur le récepteur, et placez le récepteur dans le support de montage.
- c. Réinstallez l'auvent sur le support de montage.
- d. Rétablissez l'alimentation.
- e. Installez une batterie de 1,5 volt (non incluse). (Pour éviter d'endommager l'émetteur, retirez la batterie si vous ne l'utilisez pas pendant une longue période).
- f. Rangez l'émetteur à l'abri d'une chaleur ou d'une humidité excessive.
- g. Cette télécommande est équipée de combinaisons de codes à rouleur. Afin d'éviter toute interférence possible avec d'autres unités à distance telles que des ouvreurs de porte de garage, des alarmes de voiture ou des systèmes de sécurité. Si vous constatez que votre ventilateur et votre kit d'éclairage s'allument et s'éteignent sans l'aide de votre télécommande, il suffit de modifier la combinaison de codes de votre émetteur et de votre récepteur.



Parrot Uncle

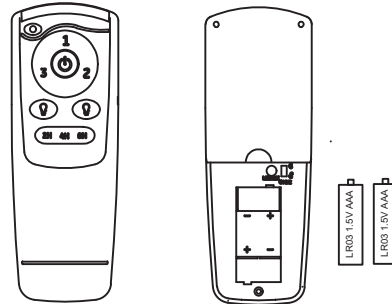
F8265110V

Installations d'installation et de fonctionnement pour l'installation du propriétaire de Parrotuncle, manuel

AVERTISSEMENT: éteignez l'énergie dans le fusible ou l'interrupteur de circuit

2. TRANSMETTEUR EN FONCTIONNEMENT

- Utilisation des boutons sur le panneau de l'émetteur.
- Touche 3 - pour la haute vitesse du ventilateur.
- Touche 2 - pour la vitesse moyenne du ventilateur.
- Touche 1 - pour la basse vitesse du ventilateur.
- Touche OFF pour arrêter le ventilateur.
- Touche LIGHT pour allumer et éteindre la lumière.
- Touche 2hr , 4hr , 8hr pour régler la minuterie de mise en veille du ventilateur.



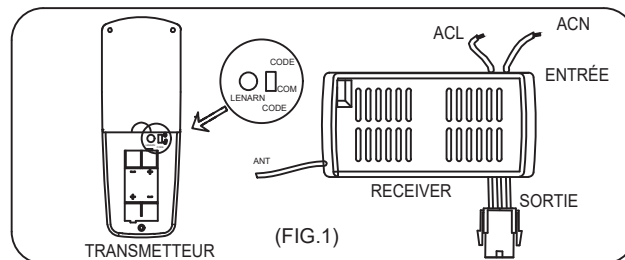
MODÈLE : GA012

DISTANCE D'OPÉRATION 20 PIEDS

VOTRE TÉLÉCOMMANDE A MAINTENANT LE CONTRÔLE TOTAL DU VENTILATEUR ET DE LA LUMIÈRE

3. GUIDE DE DÉPANNAGE

- Alimentation du récepteur ?
- Le récepteur est-il correctement câblé ?
- La commande manuelle de vitesse du ventilateur est en position haute ?
- L'interrupteur du kit d'éclairage est allumé ?
- La batterie de l'émetteur est bonne ?



Si deux ou plusieurs ventilateurs de plafond sont installés dans la même maison, afin d'éviter que vos ventilateurs de plafond ne soient affectés par la télécommande des ventilateurs de plafond adjacents, mettez d'abord l'interrupteur de chaque émetteur de télécommande en position CODE (UP) (voir le schéma FIG1). schéma de principe FIG1) Remarques : L'état standard de l'émetteur est en position CODE(UP).

(La mise hors tension signifie que vous devez utiliser un interrupteur mural pour couper l'alimentation du ventilateur de plafond, si vous ne disposez pas d'un interrupteur mural, veuillez éteindre toute la pièce à partir du disjoncteur d'air de chaque pièce)

Après avoir installé le récepteur de la télécommande sur le ventilateur de plafond

1: Mettez sous tension le récepteur de ventilateur de plafond 1# (le récepteur 2# reste hors tension), dans les 30 secondes qui suivent la mise sous tension du ventilateur, appuyez sur la touche LEARN correspondant à l'émetteur 1#, puis le récepteur apprendra le code de l'émetteur. Lorsque le code de l'émetteur a été appris avec succès, la lumière des ventilateurs de plafond clignote deux fois, puis ils peuvent être utilisés normalement.

2: Mettez le récepteur de ventilateur de plafond 2# sous tension (le récepteur 1# reste hors tension), dans les 30 secondes qui suivent la mise sous tension du ventilateur, appuyez sur le bouton de la télécommande. 30 secondes après la mise sous tension du ventilateur, appuyez sur la touche LEARN correspondant à l'émetteur 2#, puis le récepteur apprendra le code de l'émetteur.

Lorsque le code de l'émetteur est appris avec succès, la lumière des ventilateurs de plafond clignote deux fois, puis ils peuvent être utilisés normalement.

Et ainsi de suite, un seul ventilateur de plafond est mis sous tension à chaque apprentissage de l'émetteur correspondant.

Une fois que les émetteurs de télécommande 1# et 2# ont été appris avec succès, mettez les deux ventilateurs de plafond sous tension.

A ce moment-là, l'émetteur 1# et l'émetteur 2# peuvent être utilisés séparément pour un ventilateur de plafond.

Déclaration de la FCC :

Cet appareil est conforme à la partie 15 des règles de la FCC. Son utilisation est soumise aux deux conditions suivantes.

Cet appareil ne doit pas causer d'interférences nuisibles.

Cet appareil doit accepter toute interférence reçue, y compris les interférences susceptibles de provoquer un fonctionnement indésirable. Les changements ou modifications non expressément approuvés par la partie responsable de la conformité peuvent annuler l'autorité de l'utilisateur à utiliser l'équipement. l'autorisation d'utiliser l'équipement.

REMARQUE : Cet équipement a été testé et déclaré conforme aux limites d'un appareil numérique de classe B, conformément à la partie 15 des règles de la FCC. Ces limites sont conçues pour fournir une protection raisonnable contre les interférences nuisibles dans une installation résidentielle. Cet équipement génère, utilise et peut émettre de l'énergie de fréquence radio et, s'il n'est pas installé et utilisé conformément aux instructions, peut causer des interférences nuisibles aux communications radio,

Mais, il n'y a aucune garantie que des interférences ne se produiront pas dans une installation particulière. Si l'équipement cause des interférences nuisibles à la réception de la radio ou de la télévision, ce qui peut être déterminé en éteignant et en allumant l'équipement, l'utilisateur est encouragé à essayer de corriger les interférences par une ou plusieurs des mesures suivantes :

- Réorienter ou déplacer l'antenne de réception.
- Augmenter la distance entre l'équipement et le récepteur.
- Connecter l'équipement à une prise sur un circuit différent de celui du récepteur. Connectez l'appareil à une prise de courant sur un circuit différent de celui auquel le récepteur est connecté.
- Consulter le revendeur ou un technicien radio/télévision expérimenté pour obtenir de l'aide.

AVERTISSEMENT:

N'installez PAS ce ventilateur avec une commande murale à vitesse variable ou un variateur mural. Cela endommagerait de façon permanente la télécommande du ventilateur et entraînera une panne du ventilateur.



NON Commande murale à vitesse variable



NO Variateur de lumière



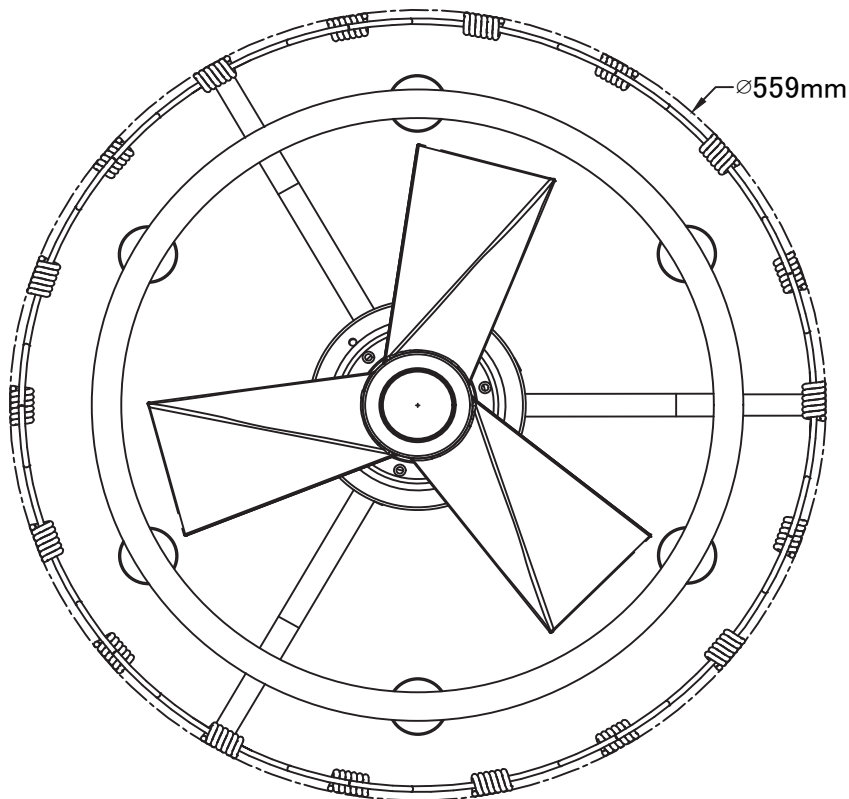
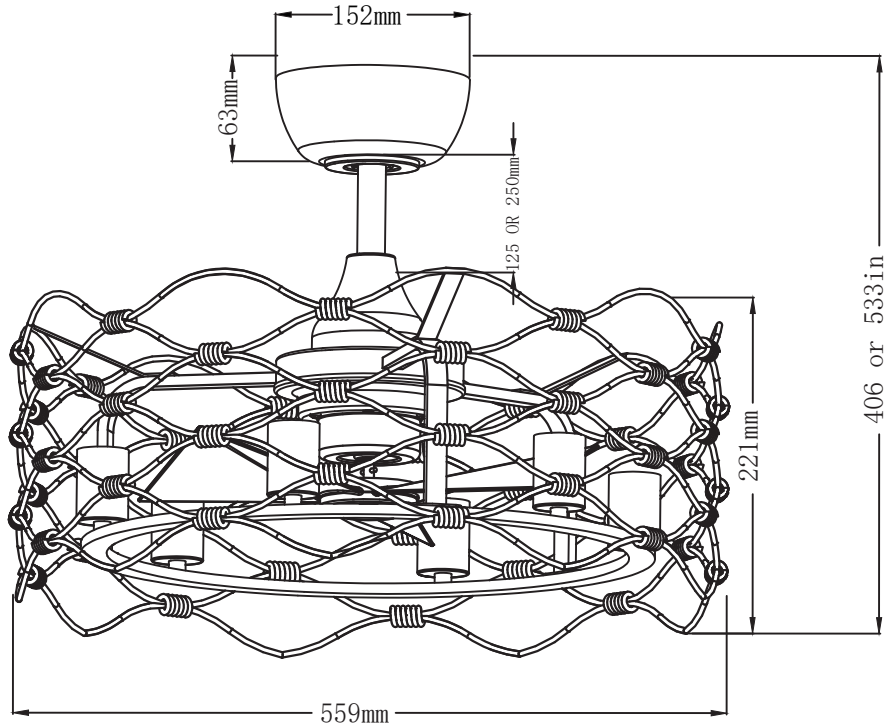
Parrot Uncle

F8265110V

Installations d'installation et de fonctionnement pour
l'installation du propriétaire de Parrotuncle, manuel

AVERTISSEMENT: éteignez l'énergie dans le fusible ou l'interrupteur de circuit

Taille du produit





Parrot Uncle

F8265110V

Installations d'installation et de fonctionnement pour
l'installation du propriétaire de Parrotuncle, manuel

AVERTISSEMENT: éteignez l'énergie dans le fusible ou l'interrupteur de circuit

APRÈS L'INSTALLATION

OSCILLATION"

Les pales du ventilateur ont été réglées en usine pour minimiser toute oscillation.

NOTE : LES VENTILATEURS DE PLAFOND ONT TENDANCE À BOUGER PENDANT LEUR FONCTIONNEMENT CAR ILS SONT MONTÉS SUR UN CROMMET EN CAOUTCHOUC.

SI LE VENTILATEUR ÉTAIT MONTÉ DE MANIÈRE RIGIDE AU PLAFOND, IL PROVOQUERAIT DES VIBRATIONS EXCESSIVES. UN MOUVEMENT DE QUELQUES CENTIMÈTRES EST TOUT À FAIT ACCEPTABLE ET NE POSE PAS DE PROBLÈME

POUR RÉDUIRE L'OSCILLATION DU VENTILATEUR : VEUILLEZ VÉRIFIER QUE TOUTES LES VIS QUI ONT FIXÉ LE MONTAGE

LE SUPPORT ET LA TIGE DESCENDANTE SONT BIEN FIXÉS.

ÉQUILIBRER UN VENTILATEUR DE PLAFOND QUI OSCILLE :

1. vérifiez que toutes les vis des pales et du bras de pale sont bien fixées.
2. la plupart des problèmes d'oscillation du ventilateur sont dus à l'inégalité du niveau des pales. Vérifiez ce niveau en en choisissant un point du plafond au-dessus de l'extrémité de l'une des pales. Mesurez cette distance. Faites tourner le ventilateur jusqu'à ce que la pale suivante soit positionnée pour la mesure. Répétez l'opération pour chaque pale. L'écart de distance doit être égal à 1/8" (0,32cm).
3. si l'oscillation des pales est toujours perceptible, l'échange de deux pales adjacentes (côte à côte) peut redistribuer l'écart entre les pales. deux pales adjacentes (côte à côte) peut redistribuer le poids et éventuellement permettre un fonctionnement plus régulier.



AVERTISSEMENT : POUR RÉDUIRE LES RISQUES DE BLESSURES, NE PLIEZ PAS LE BRAS DE PALE LORS DE L'INSTALLATION, DE L'ÉQUILIBRAGE DES PALES OU DU NETTOYAGE DU VENTILATEUR. N'INSÉREZ PAS D'OBJETS ÉTRANGERS ENTRE LES PALES DU VENTILATEUR EN ROTATION.

BRUIT

Par temps calme (surtout la nuit), vous pouvez entendre de petits bruits occasionnels. C'est normal. Prévoyez une période de rodage de 24 heures, la plupart des bruits associés à un nouveau ventilateur disparaissent pendant cette période. La plupart des bruits associés à un nouveau ventilateur disparaissent pendant cette période.

ENTRETIEN ET NETTOYAGE

1. Le nettoyage périodique de votre ventilateur de plafond est le seul entretien nécessaire. Utilisez une brosse douce ou un chiffon non pelucheux pour éviter de rayer la peinture. Veillez à éteindre l'électricité avant de nettoyer votre ventilateur.
2. n'utilisez pas d'eau pour nettoyer votre ventilateur de plafond. Cela pourrait endommager le moteur ou les pales et créer un risque d'électrocution.
3. le moteur est équipé d'un roulement à billes lubrifié en permanence. Il n'est pas nécessaire de l'huiler.

NOTE : ASSUREZ-VOUS QUE LE COURANT EST COUPÉ AU NIVEAU DU PANNEAU ÉLECTRIQUE AVANT D'ENTREPRENDRE TOUT NETTOYAGE OU TOUTE RÉPARATION. DE NETTOYER OU DE RÉPARER L'APPAREIL.



Parrot Uncle