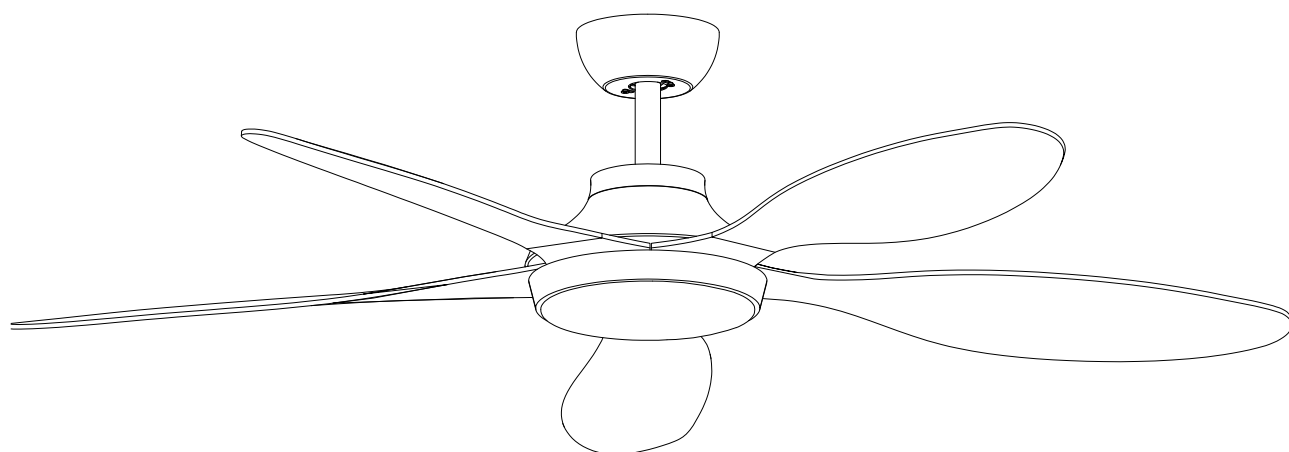




Parrot Uncle

F6357-SMART



English / Español / Français



F6357-SMART

Installation & Operating Instructions for the Parrotuncle Owner's Installation ,Manual

WARNING: SHUT POWER OFF AT FUSE OR CIRCUIT BREAKER

Sicherheit information

1. To reduce the risk of an electrical blow, electricity on the protective switch or the safety box went out before starting.
2. All wiring must correspond to the NASI/NFPA 70-1999 National Electric Code and local electrical regulations. The electrical installation must be carried out by a qualified and approved electrician.
3. The connection box and support construction must be assembled safely and 35 pounds (15.9 kilos) must be able to transport reliably. Use only output boxes listed with labeling

"Accepted for fans with a weight of £ 35 (15.9 kilos) or less."

4. The fan must be installed with a minimum distance of 2.1 m (7 feet) from the posterior edge of the wings to the floor.
5. Do not operate the reverse switch if the fan wings are moving. You have to turn off the fan and stop the wings before reverse the direction of the wing.
6. Do not place objects on the road to wings.
7. To avoid lesions or damage to the fan and other objects, be careful if you work on the fan or clean it.
8. Electrical diagrams only serve as a reference. The lighting rates that are not delivered with the fan must be listed and marked with the valve model that will be installed for use. The switches must be general use switches UL. Take into account the instructions for the appropriate installation included in the lighting rates and the switches.
9. After the electrical connections have been made, the size staircase must be turned up and carefully push to the plug box. The cables must be distributed in such a way that the ground connected driver and the device head are next to the socket.

All fixing screws must be verified before installation and, if necessary, followed.



WARNING: To reduce the risk of injury, knife supports (also known as flanges) cannot be folded during installation or after installation. Do not put any object on the path of wings.



WARNING: Remove rubber motor attacks at the bottom of the fan before mounting the wings or try the engine.



WARNING: To avoid the risk of a fire or an electrical blow, this fan should not be used with a semiconductor speed controller.



WARNING: To avoid a possible electric shock, turn off the current in the main security box before wiring. If you feel that you do not have enough knowledge or experience in electrical wiring, communicate with a license electrician.



WARNING: Electrical diagrams only serve as a reference. The optional use of an lighting rate must be on the list and marked with this fan for use.



WARNING: To reduce the risk of fires, electrical discharges or injuries, assemble the device in a socket that with the inscription accepted for fans with a weight of £ 35) or less. It is marked and use the screws supplied with the plug.

TECHNICAL INFORMATION

SKU	Nominal voltage	Nominal output (motor)	light
F6357-SMART	110V-120V AC	30W	1*LED MAX.24W



Parrot Uncle

F6357-SMART

Installation & Operating Instructions for the
Parrotuncle Owner's Installation ,Manual

WARNING: SHUT POWER OFF AT FUSE OR CIRCUIT BREAKER



**Wood screws
(4PCS)**



**Plastic wire nut
(4PCS)**



**Mounting screws
(2PCS)**



washer (2PCS)



**spring washer
(2PCS)**



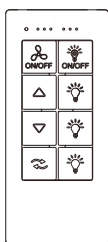
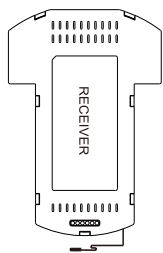
**Balanced parts package
(1PCS)**



**Blade bracket screws
(11PCS)**



**Blade washer
(11PCS)**



REMOTE CONTROL(1PCS)



Slide-on mounting bracket



4 "Ball/downrod assembly
10"Ball/downrod assembly(standby)



Canopy



Decorative cover

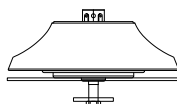


Canopy cover

Hanging Pin



"R" Locking Pin



Fan-motor assembly

Blade (5PCS)



lamp panel



Light kit



Pls check whether above accessories are completed or not?Yes,and install.



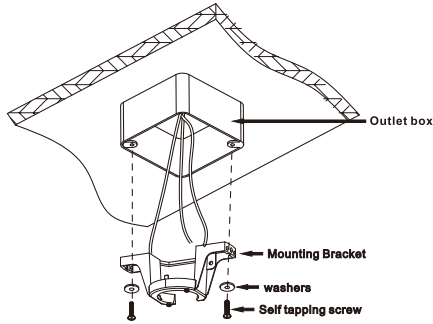
Parrot Uncle

F6357-SMART

Installation & Operating Instructions for the Parrotuncle Owner's Installation ,Manual

WARNING: SHUT POWER OFF AT FUSE OR CIRCUIT BREAKER

1

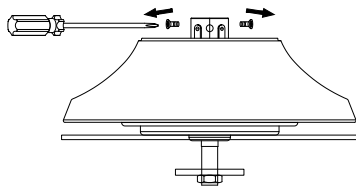


Attaching the fan to the electrical box

WARNING: To reduce the risk of fire, electric shock or personal injury, mount to an outlet box marked "Acceptable for fan support of 35 lbs. (15.9kg) or less," and use the screws provided with the outlet box.

NOTE: The mounting bracket(A) is designed to slide into place on an outlet box with the outlet box screws(LL).

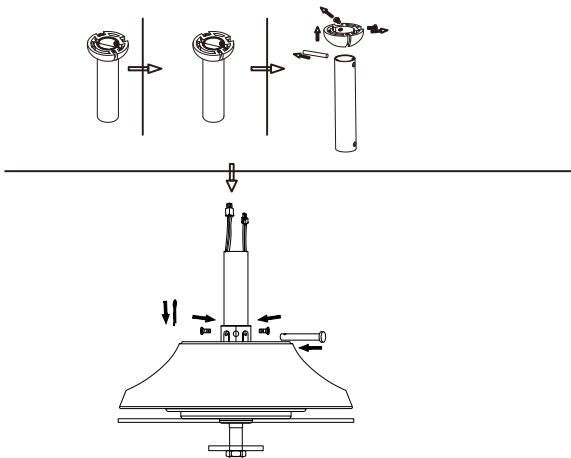
2



⊕ Phillips screwdriver

Take out the main fan from the packaging box, as shown in the figure. Remove the hanging pin and R lock pin, and use a screwdriver to loosen the two screws on the side

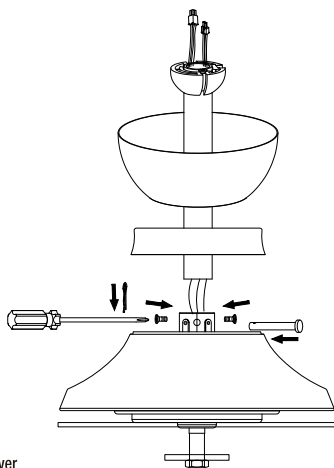
3



⊕ Phillips screwdriver

As shown in the figure, remove the suspension ball of the suspension rod component, and thread the power cord of the main fan through the suspension rod

4



⊕ Phillips screwdriver

As shown in the figure, pass through the lock rod and R lock pin, tighten the two screws on the side to make the suspension rod perpendicular to the main fan, place the decorative cover and suspension cup, and then tighten the suspension ball screws (reverse installation according to the previous disassembly sequence)



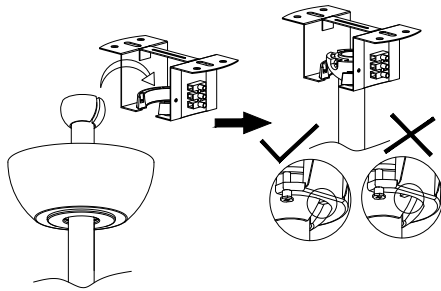
Parrot Uncle

F6357-SMART

Installation & Operating Instructions for the
Parrotuncle Owner's Installation ,Manual

WARNING: SHUT POWER OFF AT FUSE OR CIRCUIT BREAKER

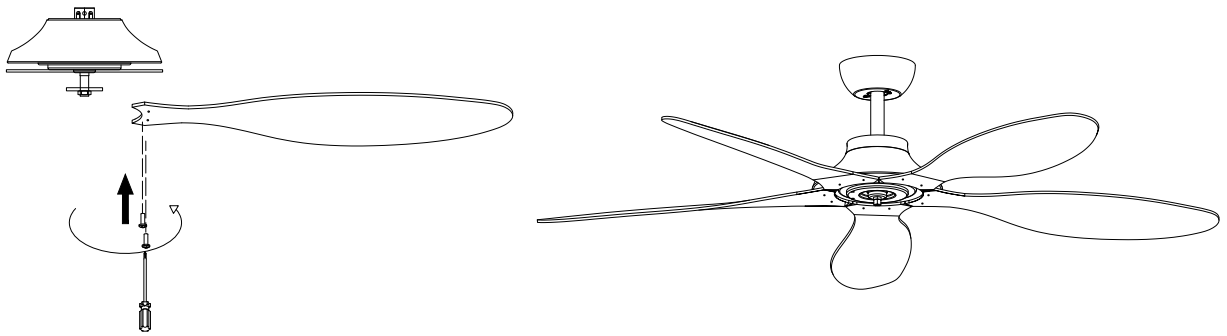
5



As shown in the figure, the main fan is hung on the hanger plate,

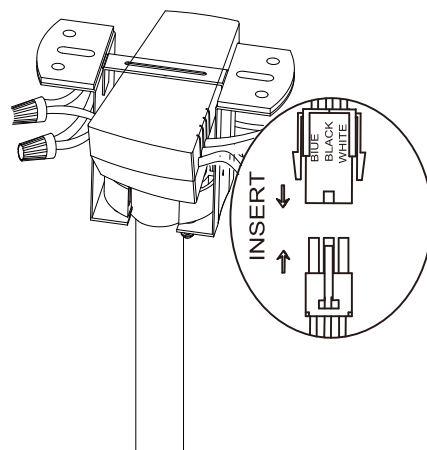
6

Lock the 5 blade holder components onto the motor



⊕ Philips
screwdriver

7



Installation and wiring of remote controllers



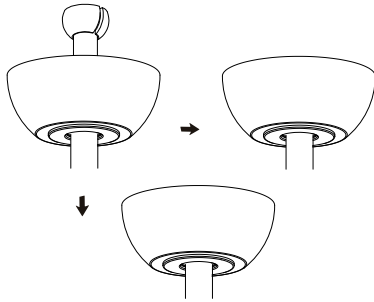
Parrot Uncle

F6357-SMART

Installation & Operating Instructions for the
Parrotuncle Owner's Installation Manual

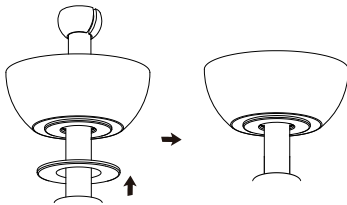
WARNING: SHUT POWER OFF AT FUSE OR CIRCUIT BREAKER

8



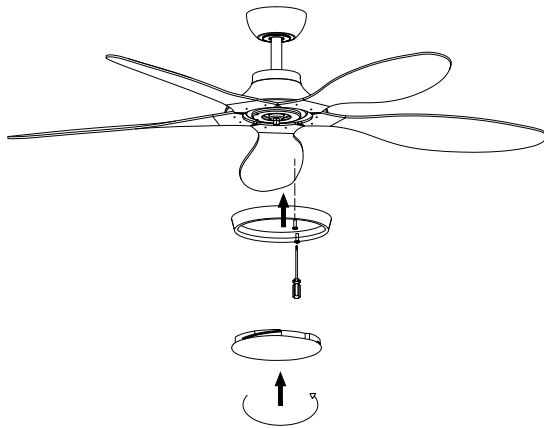
Screw the suspension cup into the two screws below the suspension bracket in the direction of the arrow and tighten them with a cross screwdriver

9



As shown in the figure, set up the decorative iron ring for the hanging cup

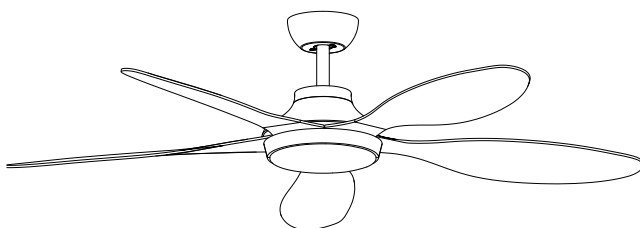
10



Install as shown in the figure

11

Effect after installation





Parrot Uncle

F6357-SMART

Installation & Operating Instructions for the Parrotuncle Owner's Installation ,Manual

WARNING: SHUT POWER OFF AT FUSE OR CIRCUIT BREAKER

Remote controller GENERAL INFORMATION

1.INSTALLING RECEIVER IN CEILING FAN

A. Safety precautions:

WARNING: HIGH VOLTAGE! Disconnect power by removing fuse or switching off circuit breaker.
Do not use with solid state fans.
Electrical wire must meet all local and national electrical code requirements.

B. Electrical rating: 110/120V 50/60Hz

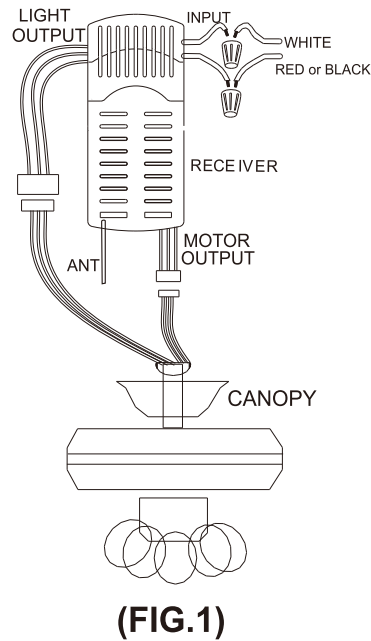
MAX. Motor watts: 40W

MAX. Light watts: 20W

Otherwise power can cause serious injury or death.

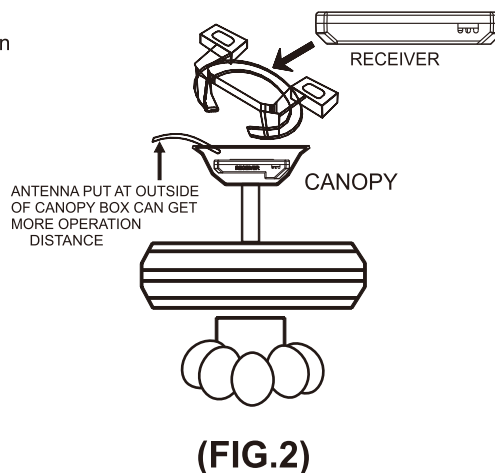
C. Installing receiver in fan: **(FIG.2)**

- a. Remove power from the circuit.
- b. Remove ceiling fan canopy from the mounting bracket.
- c. Disconnect existing wiring between ceiling fan and Supply in electrical junction box.
- d. Make connections as follows, using the wire nuts supplied: **(FIG.1)**



Use wire connecting nuts supplied with the fan

FROM POWER SOURCE
AC 110~120 VOLT 50/60Hz



LIGHT MUST BE KEPT AT THE ON POSITION

FAN MUST BE KEPT AT THE HIGH SPEED



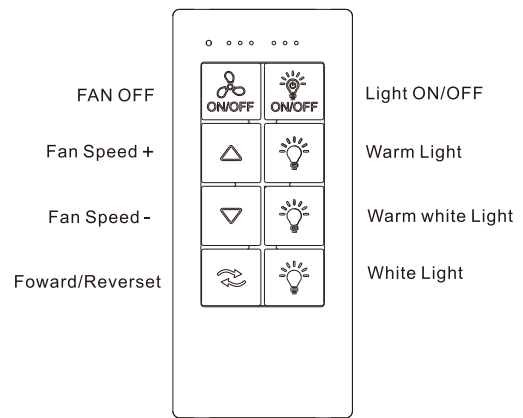
F6357-SMART

Installation & Operating Instructions for the Parrotuncle Owner's Installation ,Manual

WARNING: SHUT POWER OFF AT FUSE OR CIRCUIT BREAKER

2. OPERATING TRANSMITTER :

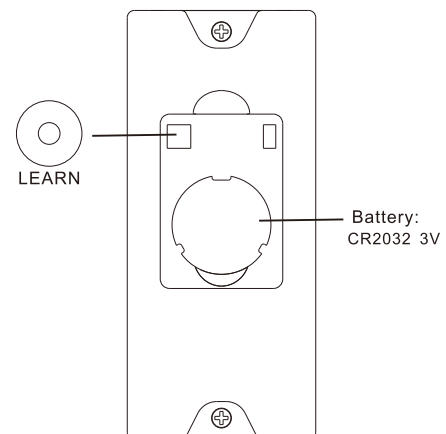
- A. Install 2032 3 volt battery.
(To prevent damage to transmitter, remove the battery if not used for a long time).
- B. Store the transmitter away from excessive heat or humidity.
- C. Operating the buttons on the panel of the transmitter.
(FIG.3)



(FIG.3)

- D. Setting the codes on the receiver:
The Learn Key must be pressed with in 5 seconds,
after pressing the Power button.
If not, please press the Power button to restart.
Keep pressing the button LEARN key in excess of 3 second
it becomes a LEARN status.
The receiver can remember the last codes status .
The ceiling fan light flash two times.

(FIG.4)



(FIG.4)



Parrot Uncle

F6357-SMART

Installation & Operating Instructions for the Parrotuncle Owner's Installation ,Manual

WARNING: SHUT POWER OFF AT FUSE OR CIRCUIT BREAKER

⚠ WARNING

- **INGESTION HAZARD:** This product contains a button cell or coin battery.
- **DEATH** or serious injury can occur if ingested.
- A swallowed button cell or coin battery can cause **Internal Chemical Burns** in as little as 2 hours.
- **KEEP** new and used batteries **OUT OF REACH OF CHILDREN**
- **Seek immediate medical attention** if a battery is suspected to be swallowed or inserted inside any part of the body.



Remove and immediately recycle or dispose of used batteries according to local regulations and keep away from children. Do NOT dispose of batteries in household trash or incinerate.

Even used batteries may cause severe injury or death.

Call a local poison control center for treatment information.

Compatible battery type is CR2032, 3 V

Ensure the batteries are installed correctly with regard to polarity (+ and -).

Do not mix old and new batteries, different brands or types of batteries, such as alkaline, carbon-zinc, or rechargeable batteries

Non-rechargeable batteries are not to be recharged. Exhausted batteries are to be removed from the product.

Do not force discharge, recharge, disassemble, heat above (manufacturer's specified temperature rating) or incinerate. Doing so may result in injury due to venting, leakage or explosion resulting in chemical burns.

Remove and immediately recycle or dispose of batteries from equipment not used for an extended period of time according to local regulations.

Always completely secure the battery compartment. If the battery compartment does not close securely, stop using the product, remove the batteries, and keep them away from children.

 **WARNING INGESTION HAZARD:** This product contains a button cell or coin battery.

⚠ ADVERTENCIA

- **PELIGRO DE INGESTIÓN:** Este producto contiene una batería (pila) en forma de botón o moneda
- Si se ingiere, puede causar la **MUERTE** o lesiones graves
- La ingestión de la batería en forma de botón o moneda puede causar **Quemaduras Químicas Internas** en tan solo 2 horas.
- **MANTENGA** las baterías nuevas y usadas **FUERA DEL ALCANCE DE LOS NIÑOS**
- **Busque atención médica inmediata** si se sospecha que una batería ha sido ingerida o introducida en cualquier parte del cuerpo.



Remueva las baterías (pilas) usadas y recíclelas o deséchelas inmediatamente de acuerdo con los reglamentos locales y manténgalas fuera del alcance de los niños. NO tire las baterías al recipiente de basura doméstica ni las incinere.

Incluso las baterías usadas pueden causar lesiones graves o la muerte.

Llame a un centro de toxicología local para obtener información sobre el tratamiento.

Tipo de batería compatible CR2032, 3 V

Asegúrese que las pilas estén bien colocadas respecto a la polaridad (+ y -).

No mezcle baterías viejas y nuevas, de diferentes marcas o tipos de baterías, tal como las baterías alcalinas, de carbono-zinc, o recargables

Las baterías no-recargables no se deben recargar. Las baterías gastadas se deben sacar del producto.

No fuerce la descarga, no recargue, no desensamble, no caliente por encima de la capacidad de temperatura especificada por el fabricante ni incinere. Hacerlo puede causar lesiones debido al desfogue, fuga o explosión que podrían causar quemaduras químicas.

Remueva y recicle o deseché inmediatamente las baterías de equipos que no se hayan utilizado durante un período prolongado de tiempo, de acuerdo con los reglamentos locales.

Siempre cierre por completo el compartimiento de las baterías. Si el compartimiento de las baterías no está bien cerrado, deje de usar el producto, extraiga las baterías y manténgalas fuera del alcance de los niños.

 **ADVERTENCIA PELIGRO DE INGESTIÓN:** Este producto contiene una batería (pila) en forma de botón o moneda.



Parrot Uncle

F6357-SMART

Installation & Operating Instructions for the
Parrotuncle Owner's Installation ,Manual

WARNING: SHUT POWER OFF AT FUSE OR CIRCUIT BREAKER

AVERTISSEMENT

- **RISQUE D'INGESTION** : Ce produit contient une pile bouton ou de type 'pièce de monnaie'.
- **La MORT** ou des blessures graves peuvent survenir en cas d'ingestion.
- Une pile bouton ou de type 'pièce de monnaie' avalée peut provoquer des **brûlures chimiques internes** en seulement deux heures.
- **GARDER** les piles neuves et usagées **HORS DE PORTÉE DES ENFANTS**
- **Consultez immédiatement un médecin** si vous soupçonnez qu'une pile a été avalée ou insérée dans une partie du corps.



Retirez les piles usagées et recyclez-les ou mettez-les au rebut immédiatement, conformément aux réglementations locales. Gardez-les hors de portée des enfants. Ne PAS jeter les piles dans les ordures ménagères ni les incinérer.

Des piles même usagées peuvent provoquer des blessures graves, voire la mort.

Appelez un centre antipoison local pour obtenir des informations sur le traitement à suivre.

Type de batterie compatible CR2032, 3 V

Correctement en respectant la polarité (+ et -).

Ne pas mélanger des piles usagées et des piles neuves, ni des marques ou types de piles différents, comme des piles alcalines, des piles carbone-zinc ou des piles rechargeables.

Les piles non rechargeables ne doivent pas être rechargées. Les piles épuisées doivent être retirées de l'appareil.

Ne pas décharger de force, recharger, démonter, chauffer au-delà de la température spécifiée par le fabricant, ni incinérer. Cela pourrait entraîner des blessures dues à l'événement, à une fuite ou une explosion, entraînant des brûlures chimiques.

Retirez et recyclez ou éliminez immédiatement les piles des équipements non utilisés pendant une période prolongée, conformément aux réglementations locales.

Sécurisez toujours complètement le compartiment des piles. Si le compartiment des piles ne se ferme pas correctement, cessez toute utilisation du produit, retirez les piles et gardez-les hors de portée des enfants.

 **AVERTISSEMENT RISQUE D'INGESTION** : Ce produit contient une pile bouton ou de type 'pièce de monnaie'.



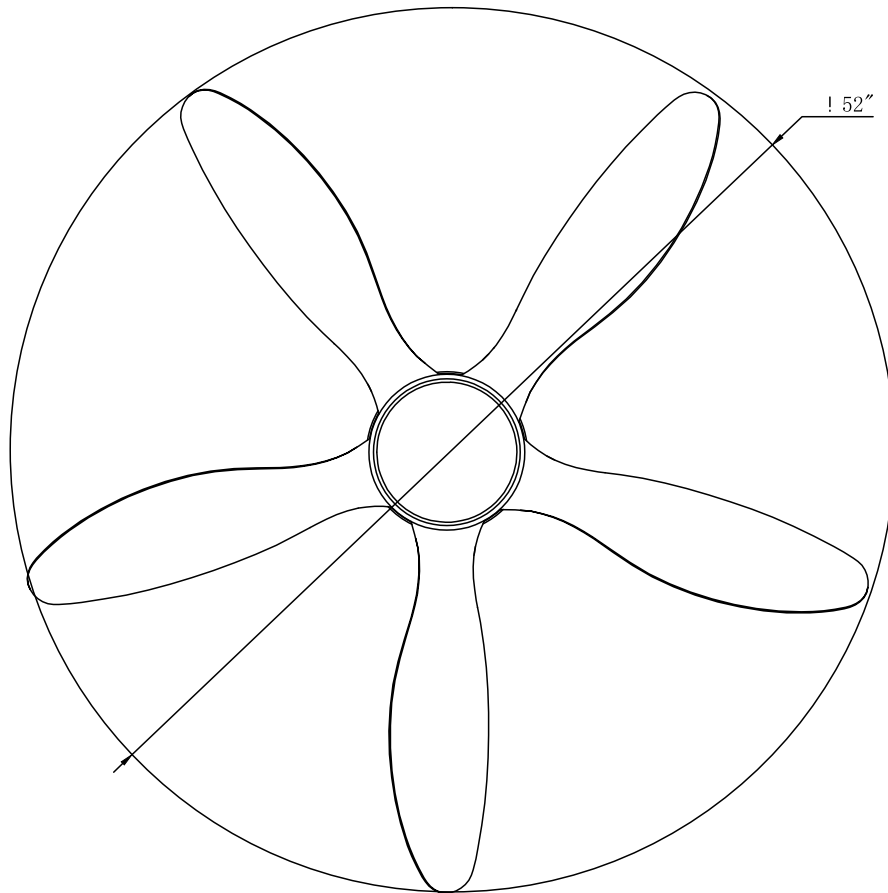
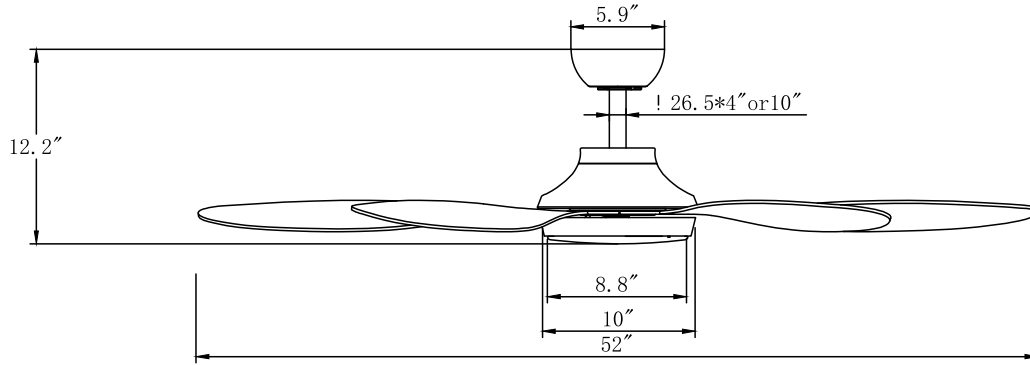
Parrot Uncle

F6357-SMART

Installation & Operating Instructions for the
Parrotuncle Owner's Installation ,Manual

WARNING: SHUT POWER OFF AT FUSE OR CIRCUIT BREAKER

size of product





Parrot Uncle

F6357-SMART

Installation & Operating Instructions for the
Parrotuncle Owner's Installation ,Manual

WARNING: SHUT POWER OFF AT FUSE OR CIRCUIT BREAKER

AFTER INSTALLATION

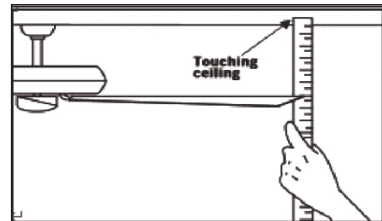
WOBBLE”

The fan blades have been adjusted in the factory to minimize any wobble

NOTE: CEILING FANS TEND TO MOVE DURING OPERATION DUE TO THE FACT THAT THEY ARE MOUNTED ON A RUBBER CROMMET. IF THE FAN WAS MOUNTED RIGIDLY TO THE CEILING, IT WOULD CAUSE EXCESS VIBRATION. MOVEMENT OF A FEW CENTIMETERS IS QUITE ACCEPTABLE AND DOES NOT SUGGEST ANY PROBLEM

**TO REDUCE THE FAN WOBBLE: PLEASE CHECK THAT ALL SCREWS WHICH SECURED THE MOUNTING BRACKET AND DOWNROD ARE SECURE.
BALANCING A WOBBLING CEILING FAN:**

1. Check that all blade and blade arm screws are secure.
2. Most fan wobbling problems are caused when blade levels are unequal. Check this level by selecting a point on the ceiling above the tip of one of the blades. Measure this distance. Rotate the fan until the next blade is positioned for measurement. Repeat for each blade. The distance deviation should be equal within 1/8"(0.32cm).



3. If the blade wobble is still noticeable, interchanging two adjacent (side by side) blades can redistribute the weight

and possibly result in smoother operation. **WARNING: TO REDUCE THE RISK OF PERSONAL INJURY, DO NOT BEND THE BLADE ARM WHILE INSTALLING, BALANCING THE BLADES, OR CLEANING THE FAN. DO NOT INSERT FOREIGN OBJECTS BETWEEN ROTATING FAN BLADES.**

NOISE

When it is quiet (especially at night) you may hear occasional small noises. This is normal. Please allow a 24-hour "breaking-in" period, most noises associated with a new fan disappear during the time.

CARE AND CLEANING

1. Periodic cleaning of your ceiling fan is the only maintenance required. Use a soft brush or lint free cloth to avoid scratching the paint finish. Please make sure to turn off electricity power before you clean your fan
2. Do not use water when cleaning your ceiling fan. It could damage the motor or the blades and create the possibility of an electrical shock.
3. Motor has permanently lubricated ball bearing. No need to oil

NOTE: MAKE SURE THE POWER IS OFF AT THE ELECTRICAL PANEL BOX BEFORE YOU ATTEMPT ANY CLEANING OR REPAIRS.



Parrot Uncle

F6357-SMATR

Installation & Operating Instructions for the
Parrotuncle Owner's Installation ,Manual

WARNING: SHUT POWER OFF AT FUSE OR CIRCUIT BREAKER

APP Control Connection

1. First search and download the free ParrotUncle Smart app from the App Store or Google Play or scan the QR Code as below.
2. Open the ParrotUncle Smart app to create your account. The account with "ParrotUncle Smart" can be registered through E-mail or Mobile phone.
3. Connect the device to the ParrotUncle Smart app (WIFI&Bluetooth on):
 - a. Press "+" button into the device list.
 - b. Tap "Auto Scan" on the top.
 - c. Wait for the device comes out and tap "Next".
 - d. Press "+" button to add device.
 - e. Connect to your home WIFI.
 - f. Wait for connecting.
4. Connect the device to the Alexa:
 - a. Make sure you have connected the device to the app and working normally.
 - b. Open Alexa app, go to the skill to search "ParrotUncle Smart" skill.
 - c. Link the skill, log in with your ParrotUncle Smart account and password, then authorize and connect with ParrotUncle Smart app.
 - d. Then the Alexa will find out the device automatically.
5. Connect the device to the Google Home:
 - a. Make sure you have connected the device to the app and working normally.
 - b. Open Google Home app, Set up a device, choose "Works with Google".
 - c. Search "ParrotUncle Smart", log in with your ParrotUncle Smart app account and password, then authorize and connect with ParrotUncle Smart app.
 - d. Then the Google Assistant will find out the device automatically.



How to reset network settings in ceiling fan:

- a. Powered on- the fan
- b. Powered on the fan, press and hold the o- button on the remote within 30 seconds
- c. The flash of the light indicates that the reset network settings is successful
- d. Now you can use the app to re-connect the device

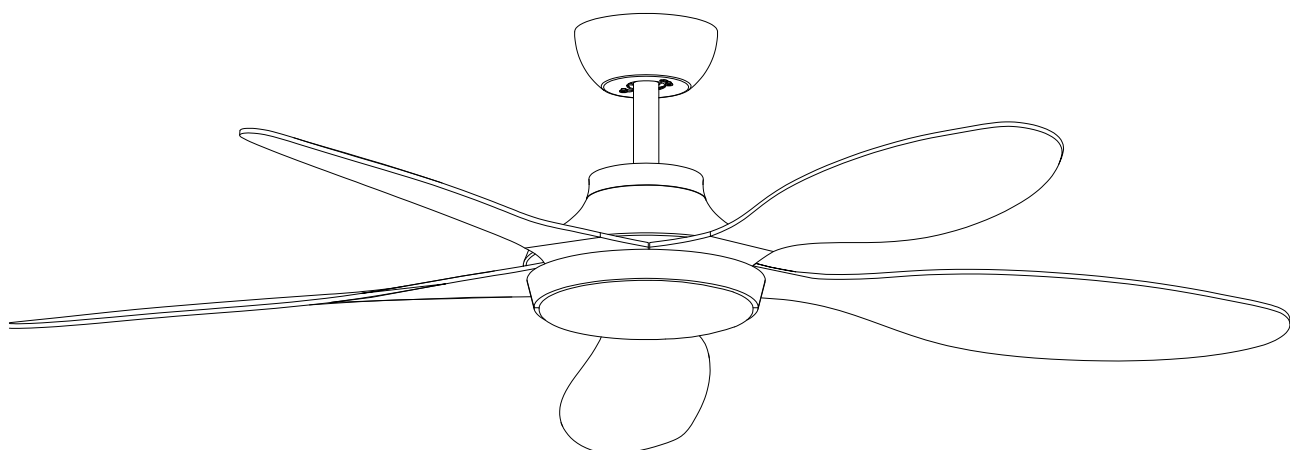
Need more help, please visit <https://faq.parrotuncle.com> or scan this QR code to watch the video





Parrot Uncle

F6357-SMART



English / Español / Français

www.parrotuncle.com



Parrot Uncle

F6357-SMART


Instrucciones de instalación y funcionamiento del parrotuncle Propietarios Instalación ,Manual


ADVERTENCIA: CORTE LA CORRIENTE CON EL FUSIBLE O EL DISYUNTOR


Información de seguridad


1. Para reducir el riesgo de descarga eléctrica, debe desconectarse la electricidad del interruptor de protección o de la caja de seguridad antes de arrancar.
2. Todo el cableado debe cumplir el Código Eléctrico Nacional NASI/NFPA 70-1999 y las normativas eléctricas locales. La instalación eléctrica debe ser realizada por un electricista cualificado y autorizado.
3. La caja de conexiones y la estructura de soporte deben estar montadas de forma segura y deben poder transportarse de forma fiable con un peso de 15,9 kilos. Utilice únicamente cajas de conexión marcadas con "Aceptado para ventiladores con un peso igual o inferior a 35 libras (15,9 kilos)".
4. El ventilador debe instalarse con una distancia mínima de 2,1 m entre el borde posterior de las aletas y el suelo.
5. No accione el interruptor de marcha atrás si las aspas del ventilador están en movimiento. Debe apagar el ventilador y detener las aspas antes de invertir la dirección de las aspas.
6. No coloque ningún objeto en la trayectoria de las alas.
7. Para evitar lesiones o daños al ventilador y a otros objetos, tenga cuidado cuando trabaje o limpie el ventilador.
8. Los diagramas eléctricos son sólo para referencia. Los tipos de iluminación no suministrados con el ventilador deben estar listados y marcados con el modelo de válvula que se instalará para su uso. Los interruptores deben ser interruptores UL de uso general. Observe las instrucciones para una instalación adecuada incluidas con los índices de iluminación y los interruptores.
9. Una vez realizadas las conexiones eléctricas, se debe dar la vuelta a la escalera de poda e introducirla cuidadosamente en la caja de enchufes. Los cables deben tenderse de forma que el conductor de puesta a tierra y la cabeza del aparato queden cerca del enchufe.


Antes de la instalación, compruebe todos los tornillos de fijación y, si es necesario, apriételos.


 **ADVERTENCIA:**
Para reducir el riesgo de lesiones, los soportes de las cuchillas (también conocidos como abrazaderas) no deben doblarse durante ni después de la instalación. No coloque ningún objeto en la trayectoria de las aspas.

 **ADVERTENCIA:**
Retire los ataques de goma del motor situados en la parte inferior del ventilador antes de montar las aspas o probar el motor.

 **ADVERTENCIA:**
Para evitar el riesgo de incendio o descarga eléctrica, este ventilador no debe utilizarse con un variador de velocidad de estado sólido.

 **ADVERTENCIA:**
Para evitar el riesgo de descarga eléctrica, desconecte la alimentación de la caja de seguridad principal antes de realizar el cableado. Si considera que no tiene suficientes conocimientos o experiencia en cableado eléctrico, póngase en contacto con un electricista autorizado.

 **ADVERTENCIA:**
Los esquemas eléctricos son sólo de referencia. El uso opcional de un tipo de luz debe ser listado y marcado con este ventilador para su uso.

 **ADVERTENCIA:**
Para reducir el riesgo de incendio, descarga eléctrica o lesiones, conecte el aparato a una toma de corriente que esté marcada como aceptada para ventiladores de 35 libras o menos. Está marcado y utilice los tornillos suministrados con el enchufe.

INFORMACIÓN TÉCNICA

SKU	Tensión nominal	Potencia nominal (motor)	Iluminación
F6357-SMART	110V-120V AC	30W	1*LED MAX.24W



Parrot Uncle

F6357-SMART

Instrucciones de instalación y funcionamiento del parrotuncle Propietarios Instalación ,Manual

ADVERTENCIA: CORTE LA CORRIENTE CON EL FUSIBLE O EL DISYUNTOR



Tornillos para madera (4PZAS)



Tuerca de alambre de plástico (4PZAS)



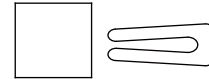
Tornillos de montaje (2PZAS)



Arandela (2PZAS)



Arandela elástica (2PZAS)



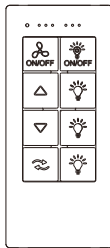
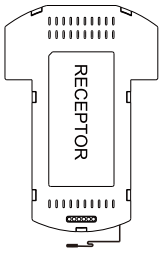
Paquete de piezas equilibradas (1PZA)



Blade bracket screws (11PZAS)



Arandela de la cuchilla (11PZAS)



MANDO A DISTANCIA (1PZA)

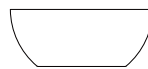


Soporte de montaje deslizante



Conjunto bola/vástago de 4"

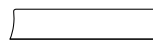
Conjunto bola/vástago de 10" (en espera)



Tejadillo



Cubierta decorativa

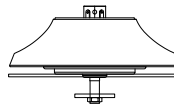


Tapa del tejadillo

Eje colgante



Pin de bloqueo "R"



Conjunto motor-ventilador

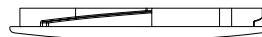
Aspa(5PZAS)



panel de luz



Kit de luz



Compruebe si los accesorios anteriores están completos o no. Sí, e instálelos.



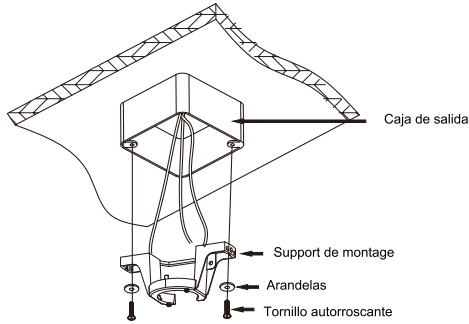
Parrot Uncle

F6357-SMART

Instrucciones de instalación y funcionamiento del parrotuncle Propietarios Instalación ,Manual

ADVERTENCIA: CORTE LA CORRIENTE CON EL FUSIBLE O EL DISYUNTOR

1

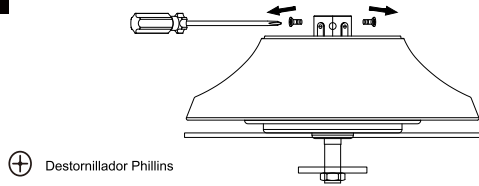


Fijación del ventilador a la caja eléctrica

ADVERTENCIA: Para reducir el riesgo de incendio, descarga eléctrica o personal de 35 lbs.(15.9kg) o menos, *y utilice los tornillos provistos con la caja de salida.

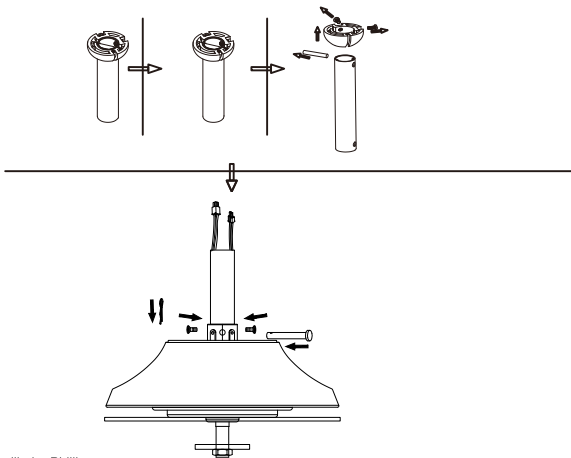
NOTA: El soporte de montaje(A) está diseñado para deslizarse en su lugar en una caja de salida con los tornillos de la caja de salida(LL).

2



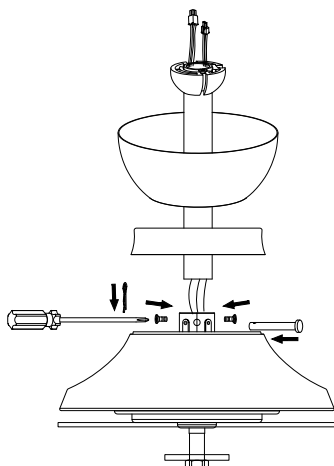
Extraiga el ventilador principal de la caja de embalaje, como se muestra en la figura. Retire el pasador de suspensión y el pasador de bloqueo R, y utilice un destornillador para aflojar los dos tornillos laterales.

3



Como se muestra en la figura, retire la bola de suspensión de la varilla de suspensión y pase el cable de alimentación del ventilador principal a través de la varilla de suspensión.

4



Como se muestra en la figura, pase por la varilla de bloqueo y el pasador de bloqueo R apriete los dos tornillos laterales de forma que la varilla de suspensión quede perpendicular al ventilador principal. varilla de suspensión quede perpendicular al ventilador principal, coloque la cubierta decorativa y la copa de suspensión, luego apriete la varilla de suspensión. cubierta decorativa y la copa de suspensión, luego apriete los tornillos de la bola de suspensión (invierta la instalación según la secuencia de desmontaje anterior)



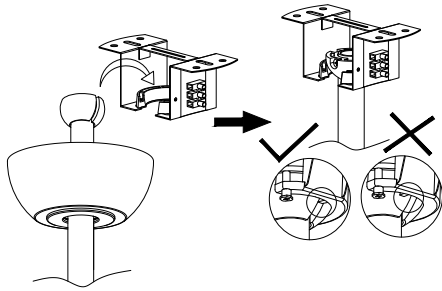
Parrot Uncle

F6357-SMART

Instrucciones de instalación y funcionamiento del
parrotuncle Propietarios Instalación ,Manual

ADVERTENCIA: CORTE LA CORRIENTE CON EL FUSIBLE O EL DISYUNTOR

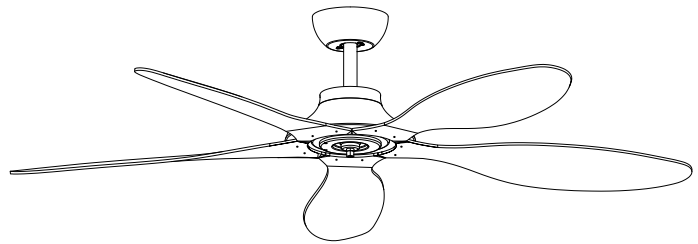
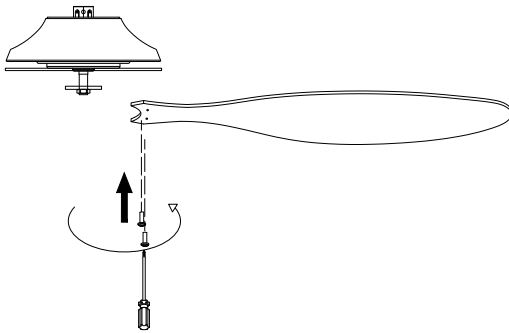
5



Como se muestra en la imagen, el ventilador principal est fijado a la placa de suspensi n,

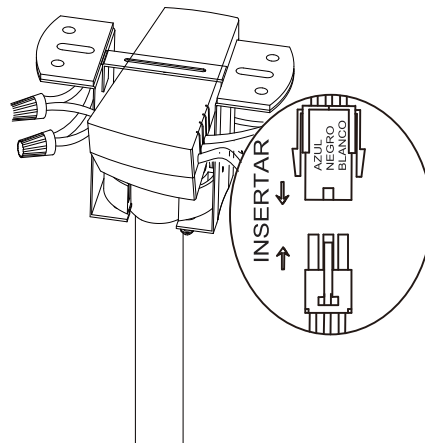
6

Fije los 5 elementos del soporte de las aspas al motor



⊕ Phillips
screwdriver

7



Instale y cablee los mandos a distancia



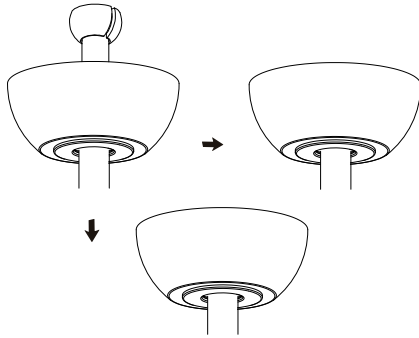
arrot Uncle

F6357-SMART

Instrucciones de instalación y funcionamiento del
parrotuncle Propietarios Instalación ,Manual

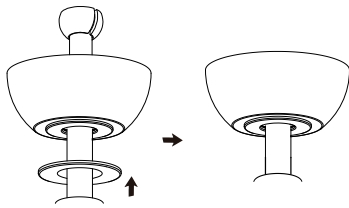
ADVERTENCIA: CORTE LA CORRIENTE CON EL FUSIBLE O EL DISYUNTOR

9



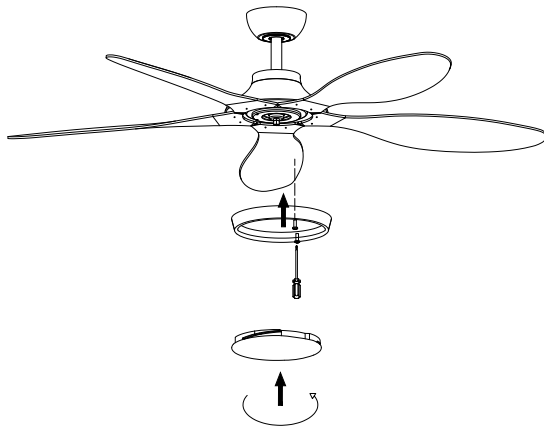
Atornille la copa de suspensión en los dos tornillos situados debajo del soporte de suspensión en el sentido de la flecha y apriete los con un destornillador Phillips.

10



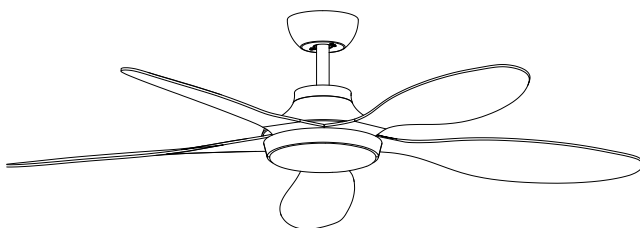
Como se muestra en el diagrama, coloca la anilla de hierro decorativa para colgarlo.

11



Instalación como se muestra en la imagen

12



Efecto después de la instalación



F6357-SMART

Instrucciones de instalación y funcionamiento del parrotuncle Propietarios Instalación ,Manual

ADVERTENCIA: CORTE LA CORRIENTE CON EL FUSIBLE O EL DISYUNTOR

Mando a distancia INFORMACIÓN GENERAL

1. INSTALACIÓN DEL RECEPTOR EN EL VENTILADOR DE TECHO

A. Precauciones de seguridad

ADVERTENCIA: ¡ALTA TENSION! Desconecte la alimentación quitando el fusible o desconectando el disyuntor.

No utilizar con ventiladores de estado sólido.

El cable eléctrico debe cumplir con todos los requisitos de los códigos eléctricos locales y nacionales.

- B. Potencia eléctrica: 110/120V 50/60Hz
 MÁX. Vatios motor: 40W
 MÁX. Vatios luz: 20W

De lo contrario, la alimentación puede causar lesiones graves o la muerte.

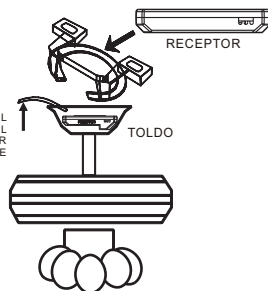
C. Instalación del receptor en el ventilador:(FIG.2)

- Desconecte la alimentación del circuito.
- Retire la cubierta del ventilador de techo del soporte de montaje.
- Desconecte el cableado existente entre el ventilador de techo y el suministro en la caja de conexiones eléctricas.
- Realice las conexiones como se indica a continuación, utilizando las tuercas para cables suministradas: (FIG. 1)

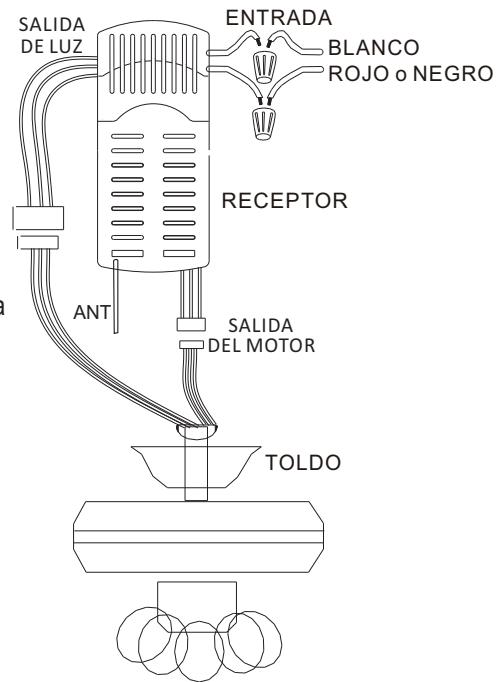
Utilice las tuercas de conexión suministradas con el ventilador

DE LA FUENTE DE ALIMENTACIÓN
CA 110~120 VOLT 50/60Hz

LA ANTENA COLOCADA EN EL EXTERIOR DE LA CAJA DEL TOLDO PUEDE CONSEGUIR UNA MAYOR DISTANCIA DE FUNCIONAMIENTO.



(FIG.2)



(FIG.1)

Cable verde del ventiladorCable de alimentación desnudo

- Cable rojo del receptor (AC IN L)Cable de alimentación rojo o negro
- Cable receptor blanco (AC IN N)Cable de alimentación blanco
- Cable blanco del receptor (AL MOTOR 1)Cable blanco del ventilador
- Cable negro del receptor (AL MOTOR 2)Cable negro del ventilador
- Cable rojo del receptor (AL MOTOR3)Cable rojo del ventilador
- Cable rojo del receptor (para la luz 1)Cable rojo de la luz
- Cable amarillo del receptor (para la luz 2)Cable amarillo de la luz
- Cable blanco del receptor (para luz 3)hilo blanco de la luz



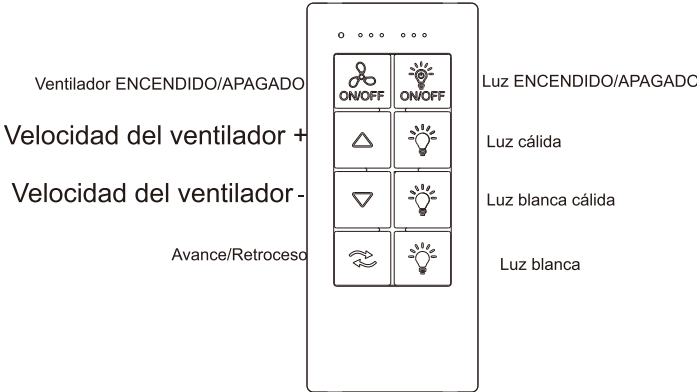
F6357-SMART

Instrucciones de instalación y funcionamiento del parrotuncle Propietarios Instalación ,Manual

ADVERTENCIA: CORTE LA CORRIENTE CON EL FUSIBLE O EL DISYUNTOR

2.FUNCIONAMIENTO DEL TRANSMISOR:

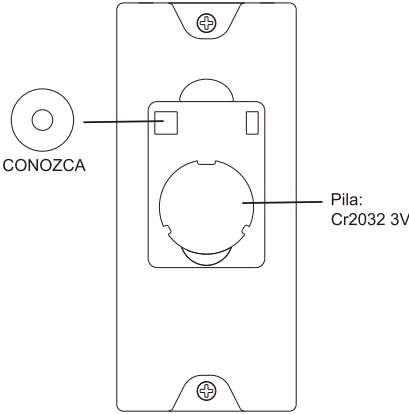
- A. Instale la pila 2032 3 voltios.
(Para evitar daños en el transmisor, retire la pila si no se utiliza durante mucho tiempo).
- B. Guarde el transmisor lejos del calor excesivo o excesivo.
- C. Accionar los botones del panel del transmisor. (FIG. 3)



(FIG.3)

- D. Ajuste de los códigos en el receptor:
La tecla de aprendizaje debe ser pulsada en 5 segundos, después de pulsar el botón de encendido.
Si no, por favor pulse el botón de encendido para reiniciar.
Si mantiene pulsado el botón CONOZCA durante más de 3 segundos, el receptor pasará al estado CONOZCA.
El receptor puede recordar el estado de los últimos códigos
La luz del ventilador de techo parpadea dos veces.

(FIG. 4)



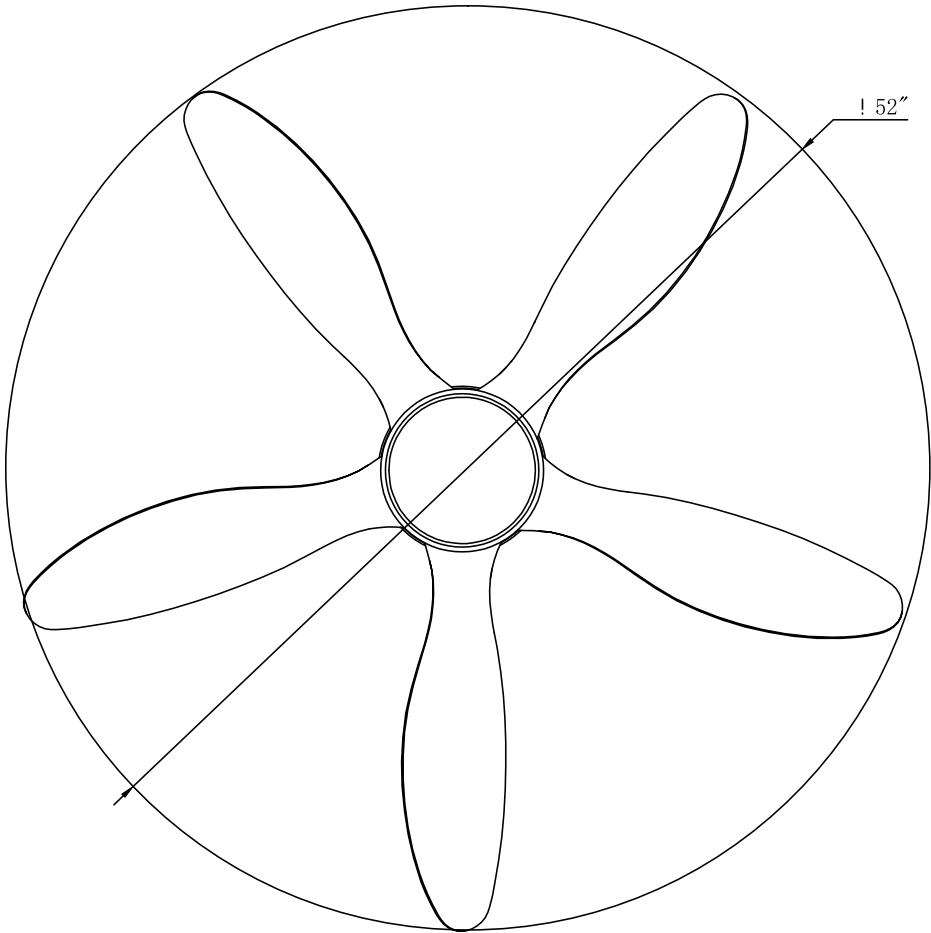
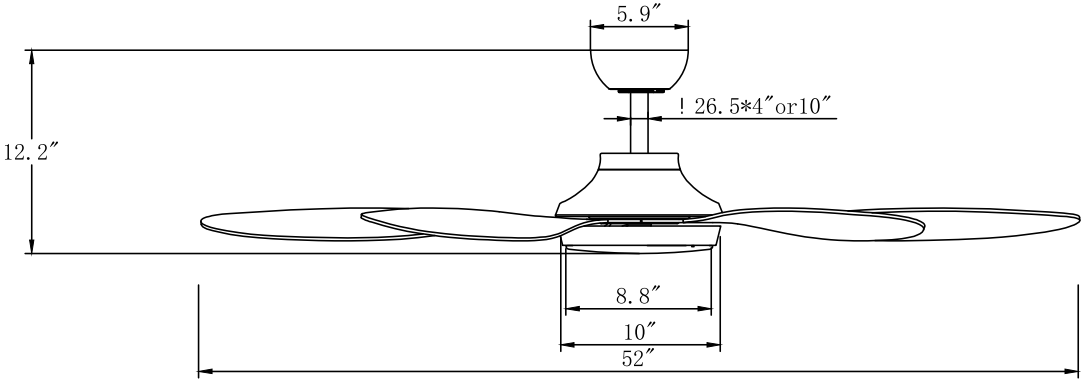
(FIG.4)



F6357-SMART

Instrucciones de instalación y funcionamiento del parrotuncle Propietarios Instalación ,Manual
ADVERTENCIA: CORTE LA CORRIENTE CON EL FUSIBLE O EL DISYUNTOR

Taille Du Produit





Parrot Uncle

F6357-SMART

Instrucciones de instalación y funcionamiento del
parrotuncle Propietarios Instalación ,Manual

ADVERTENCIA: CORTE LA CORRIENTE CON EL FUSIBLE O EL DISYUNTOR

DESPUÉS DE LA INSTALACIÓN

OSCILACIÓN

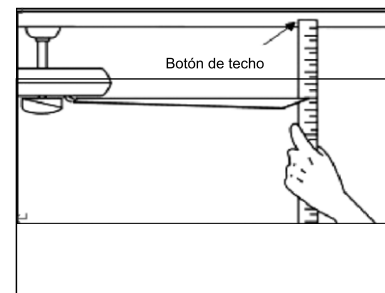
Las aspas del ventilador han sido ajustadas en fábrica para minimizar cualquier oscilación.

NOTA: LOS VENTILADORES DE TECHO TIENDEN A MOVERSE DURANTE SU FUNCIONAMIENTO PORQUE ESTÁN MONTADOS SOBRE UNA ARANDELA DE GOMA. SI EL VENTILADOR ESTUVIERA MONTADO RÍGIDAMENTE EN EL TECHO, PROVOCARÍA VIBRACIONES EXCESIVAS. UN MOVIMIENTO DE POCOS CENTÍMETROS ES PERFECTAMENTE ACEPTABLE Y NO PLANTEA NINGÚN PROBLEMA. PARA REDUCIR LA OSCILACIÓN DEL VENTILADOR: COMPRUEBE QUE TODOS LOS TORNILLOS QUE FIJARON EL MONTAJE EL SOPORTE Y LA VARILLA ESTÁN BIEN FIJADOS.

EQUILIBRAR UN VENTILADOR DE TECHO OSCILANTE:

1. Compruebe que todos los tornillos de las aspas y del brazo de las aspas están bien apretados.
2. La mayoría de los problemas de oscilación del ventilador se deben a un desnivel en el nivel de las aspas. Compruebe este nivel eligiendo un punto en el techo por encima de la punta de una de las aspas. Mida esta distancia. Gire el ventilador hasta que el siguiente aspa esté posicionada para la medición. Repita el procedimiento para cada aspa. La distancia debe ser de 0,32 cm.

3. si la oscilación de las aspas sigue siendo perceptible, intercambiar dos aspas adyacentes (una al lado de la otra) puede redistribuir el espacio entre las aspas. dos aspas adyacentes (una al lado de la otra) puede redistribuir el peso y posiblemente permitir un funcionamiento más suave.



ADVERTENCIA: PARA REDUCIR EL RIESGO DE LESIONES, NO DOBLE EL BRAZO DE LAS ASPAS CUANDO INSTALE, EQUILIBRE LAS ASPAS O LIMPIE EL VENTILADOR. NO INTRODUZCA OBJETOS EXTRAÑOS ENTRE LAS ASPAS GIRATORIAS DEL VENTILADOR.

RUIDO

Con tiempo tranquilo (especialmente por la noche), es posible que oiga pequeños ruidos ocasionales. Esto es normal. Permita un período de rodaje de 24 horas; la mayoría de los ruidos asociados con un ventilador nuevo desaparecen durante este período. La mayoría de los ruidos asociados a un ventilador nuevo desaparecen durante este periodo.

7 MANTENIMIENTO Y LIMPIEZA

1. El único mantenimiento necesario es la limpieza periódica del ventilador de techo. Utilice un cepillo suave o un paño sin pelusa para evitar rayar la pintura. Asegúrese de desconectar el suministro eléctrico antes de limpiar su ventilador.
2. No utilice agua para limpiar el ventilador de techo. Podría dañar el motor o las aspas y provocar una descarga eléctrica.
3. El motor está equipado con un rodamiento de bolas de lubricación permanente. No es necesario engrasarlo.

NOTA: ASEGÚRESE DE QUE LA CORRIENTE ESTÁ DESCONECTADA EN EL CUADRO ELÉCTRICO ANTES DE REALIZAR CUALQUIER TRABAJO DE LIMPIEZA O REPARACIÓN. NO LIMPIE NI REPARE EL APARATO.



Parrot Uncle

F6357-SMART

Instrucciones de instalación y funcionamiento del
Propietario Instalación de Parrotuncle, manue

ADVERTENCIA: DESCONECTE LA ALIMENTACIÓN EN EL FUSIBLE O DISYUNTOR

APP Conexión de control

1. En primer lugar, busca y descarga la aplicación gratuita ParrotUncle Smart desde App Store o Google Play o escanea el código QR como se indica a continuación.

2. Abre la aplicación ParrotUncle Smart para crear tu cuenta.

La cuenta con "ParrotUncle Smart" se puede registrar a través de correo electrónico o teléfono móvil.



3. Conecta el dispositivo a la aplicación ParrotUncle Smart (WIFI&Bluetooth activados):

- a. Pulsa el botón "+" en la lista de dispositivos.
- b. Pulsa "Auto Scan" en la parte superior. Espere a que salga el dispositivo y pulse "Siguiente".
- d. Pulse el botón "+" para añadir el dispositivo.
- e. Conéctese a la WIFI de su casa.
- f. Espere a que se conecte.

4. Conecte el dispositivo a la Alexa:

- a. Asegúrate de que has conectado el dispositivo a la app y funciona con normalidad.
- b. Abre la app Alexa, ve a la skill para buscar la skill "ParrotUncle Smart".
- c. Enlaza el skill, inicia sesión con tu cuenta y contraseña de ParrotUncle Smart, luego autoriza y conéctate con la aplicación ParrotUncle Smart.
- d. Entonces Alexa encontrará el dispositivo automáticamente.

5. Conecte el dispositivo a Google Home:

- a. Asegúrate de que has conectado el dispositivo a la app y funciona con normalidad.
- b. Abre la app Google Home, Configura un dispositivo, elige "Funciona con Google".
- c. Busca "ParrotUncle Smart", inicia sesión con tu cuenta y contraseña de la aplicación ParrotUncle Smart, luego autoriza y conéctate con la aplicación ParrotUncle Smart.
- d. Entonces el Asistente de Google encontrará el dispositivo automáticamente.

Cómo restablecer la configuración de red en el ventilador de techo:

- a. Apaga el ventilador
- b. Encendido el ventilador, mantenga pulsado el botón de apagado del mando a distancia durante 30 segundos
- c. El parpadeo de la luz indica que el restablecimiento de los ajustes de red se ha realizado correctamente
- d. Ahora puede utilizar la aplicación para volver a conectar el dispositivo

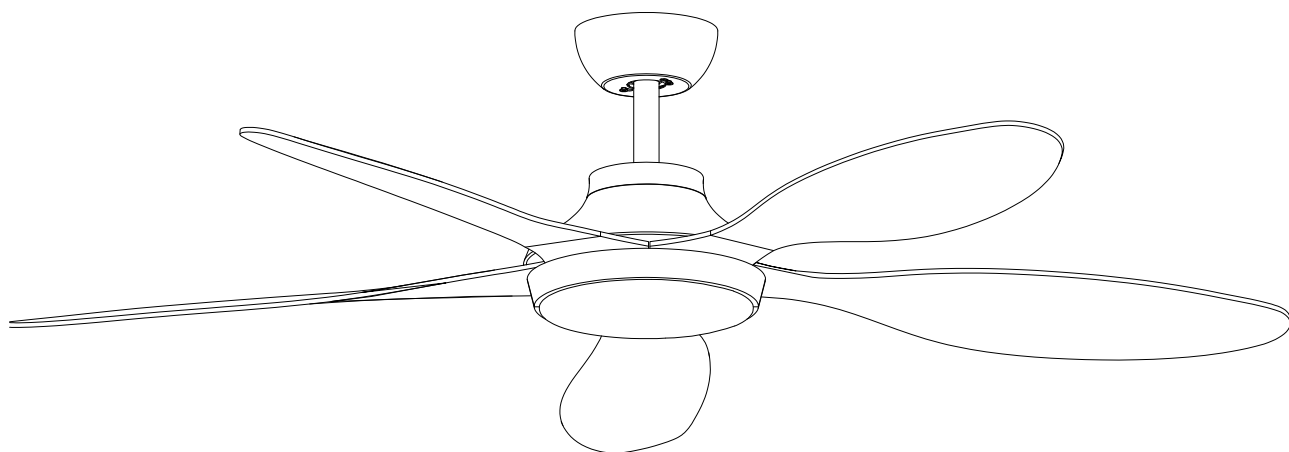
Si necesitas más ayuda, visita <https://faq.parrotuncle.com> o escanea este código QR para ver el vídeo





Parrot Uncle

F6357-SMART



English / Español / Français



Parrot Uncle

F6357-SMART

Instructions d'installation et d'utilisation pour le
Installation du propri taire de Parrotuncle, manue

VERTISSEMENT : COUPER L'ALIMENTATION AU FUSIBLE OU AU DISJONCTEUR

Informations de sécurité

1. Pour réduire le risque de coup électrique, l'électricité sur l'interrupteur de protection ou la boîte de sécurité s'est éteinte avant le démarrage.
2. Tout le câblage doit être conforme au code électrique national NASI/NFPA 70-1999 et aux réglementations électriques locales. L'installation électrique doit être réalisée par un électricien qualifié et agréé.
3. Le boîtier de connexion et la structure de support doivent être assemblés en toute sécurité et doivent pouvoir être transportés en toute fiabilité avec un poids de 15,9 kilos. N'utilisez que des boîtes de sortie portant la mention "Accepté pour les ventilateurs d'un poids de £ 35 (15,9 kilos) ou moins."
4. Le ventilateur doit être installé à une distance minimale de 2,1 m (7 pieds) entre le bord postérieur des ailes et le sol.
5. Ne pas actionner l'interrupteur de marche arrière si les ailes du ventilateur sont en mouvement. Vous devez éteindre le ventilateur et arrêter les ailes avant d'inverser la direction de l'aile.
6. Ne pas placer d'objets sur la route des ailes.
7. Pour éviter des lésions ou des dommages au ventilateur et à d'autres objets, faites attention lorsque vous travaillez sur le ventilateur ou que vous le nettoyez.
8. Les schémas électriques servent uniquement de référence. Les taux d'éclairage qui ne sont pas livrés avec le ventilateur doivent être répertoriés et marqués avec le modèle de vanne qui sera installé pour l'utilisation. Les interrupteurs doivent être des interrupteurs à usage général UL. Tenir compte des instructions pour l'installation appropriée incluses dans les taux d'éclairage et les interrupteurs.
9. Une fois les raccordements électriques effectués, l'escalier de taille doit être retourné et poussé avec précaution jusqu'à la boîte à fiches. Les câbles doivent être répartis de manière à ce que le conducteur relié à la terre et la tête de l'appareil se trouvent à proximité de la prise.

Toutes les vis de fixation doivent être vérifiées avant l'installation et, si nécessaire, suivies.



AVERTISSEMENT:

Pour réduire le risque de blessure, les supports de couteau (également appelés brides) ne peuvent pas être pliés pendant l'installation ou après l'installation. Ne placez aucun objet sur la trajectoire des ailes.



AVERTISSEMENT:

Retirez les attaques en caoutchouc du moteur au bas du ventilateur avant de monter les ailes ou d'essayer le moteur.



AVERTISSEMENT:

Pour éviter tout risque d'incendie ou de choc électrique, ce ventilateur ne doit pas être utilisé avec un variateur de vitesse à semi-conducteur.



AVERTISSEMENT:

Pour éviter tout risque d'électrocution, coupez le courant dans la boîte de sécurité principale avant de procéder au câblage. Si vous pensez ne pas avoir suffisamment de connaissances ou d'expérience en matière de câblage électrique, adressez-vous à un électricien agréé.



AVERTISSEMENT:

Les schémas électriques ne servent que de référence. L'utilisation optionnelle d'un taux d'éclairage doit être sur la liste et marqué avec ce ventilateur pour l'utilisation.



AVERTISSEMENT:

Pour réduire les risques d'incendie, de décharges électriques ou de blessures, montez l'appareil dans une prise de courant qui porte l'inscription acceptée pour les ventilateurs d'un poids inférieur ou égal à 35 £. Elle est marquée et utilisez les vis fournies avec la prise.

INFORMATION TECHNIQUE

SKU	Tension nominale	Puissance nominale (moteur)	Lumière
F6357-SMART	110V-120V AC	30W	1*LED MAX.24W



Parrot Uncle

F6357-SMART

Instructions d'installation et d'utilisation pour le
Installation du propri taire de Parrotuncle, manue
VERTISSEMENT : COUPER L'ALIMENTATION AU FUSIBLE OU AU DISJONCTEUR



Vis à bois
(4PCS)



Écrou pour fil en plastique
(4PCS)



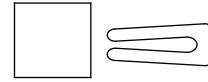
Vis de montage
(2PCS)



Rondelle (2PCS)



Rondelle élastique
(2PCS)



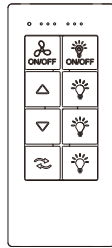
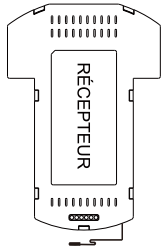
Paquet de pièces équilibrées
(1PCS)



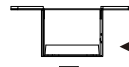
Blade bracket screws
(11PCS)



Rondelle de lame
(11PCS)



TÉLÉCOMMANDE (1PCS)



Support de montage coulissant

Assemblage boule/tige de 10" (veille)

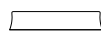
Assemblage boule/tige de 4"



Canopée

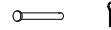


Couverture décorative

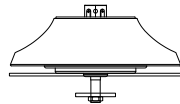


Couvercle de la canopée

Broche à suspendre



Goupille de verrouillage « R »



Assemblage ventilateur-moteur

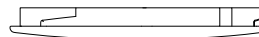
Lame (5PCS)



panneau de lampe



Kit de lumière



Veuillez vérifier si les accessoires ci-dessus sont terminés ou non ? Oui, et installez-les.

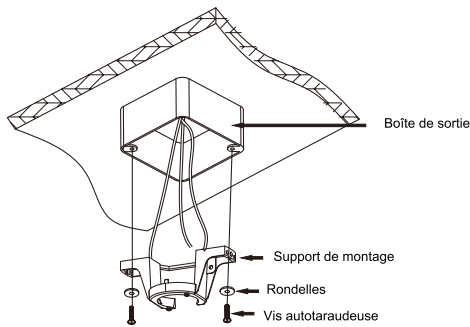


Parrot Uncle

F6357-SMART

Instructions d'installation et d'utilisation pour le
Installation du propri taire de Parrotuncle, manue
VERTISSEMENT : COUPER L'ALIMENTATION AU FUSIBLE OU AU DISJONCTEUR

1



Fixation du ventilateur au boîtier électrique

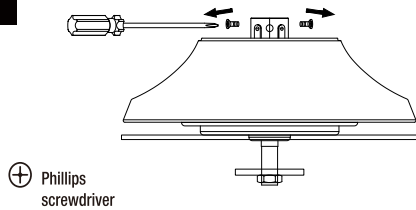


AVERTISSEMENT : Pour réduire les risques d'incendie, d'électrocution ou d'accidents corporels, utilisez les vis fournies avec la boîte de sortie.



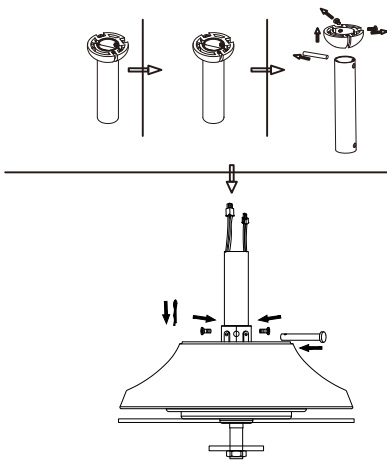
REMARQUE : Le support de montage (A) est conçu pour être glissé en place sur une boîte de sortie avec les vis de la boîte de sortie (LL).

2



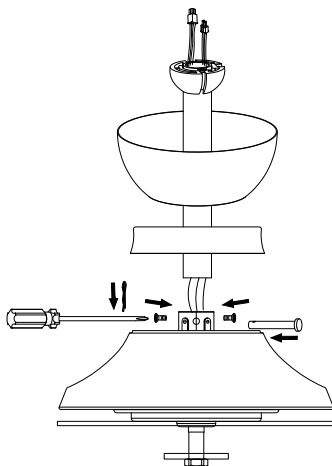
Sortez le ventilateur principal de la bote d' emballage, comme indiqu sur la figure. Retirez la goupille de suspension et la goupille de verrouillage R, et utilisez un tournevis pour desserrer les deux vis sur lect.

3



Comme indiqu sur la figure, retirez la bille de suspension de la tige de suspension et faites passer le le cordon d'alimentation du ventilateur principal travers la tige de suspension.

4



Comme indiqu sur la figure, passer par la tige de verrouillage et la goupille de verrouillage R serrer les deux vis sur lect pour que la tige de suspension soit perpendiculaire au ventilateur principal. de suspension perpendiculaire au ventilateur principal, placez le couvercle coratif et la coupelle de suspension, puis serrez la tige de suspension. le couvercle d coratif et la coupelle de suspension, puis serrer les les vis de la boule de suspension (inverser l'installation selon la s quence de d montage pr c dente)

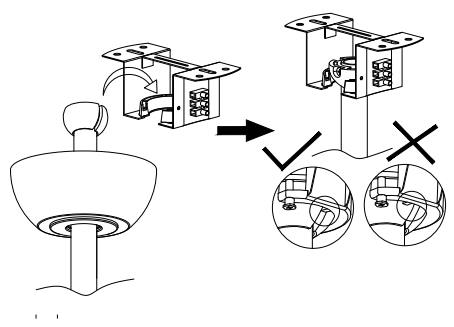


F6357-SMART

Instructions d'installation et d'utilisation pour le
Installation du propri taire de Parrotuncle, manue

VERTISSEMENT : COUPER L'ALIMENTATION AU FUSIBLE OU AU DISJONCTEUR

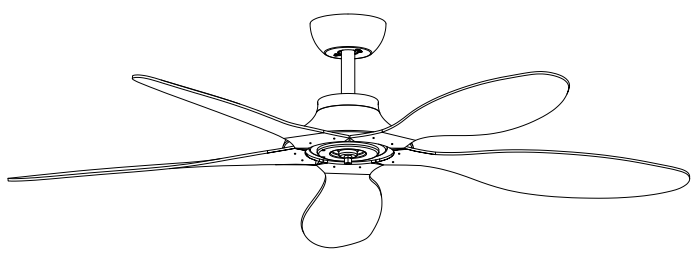
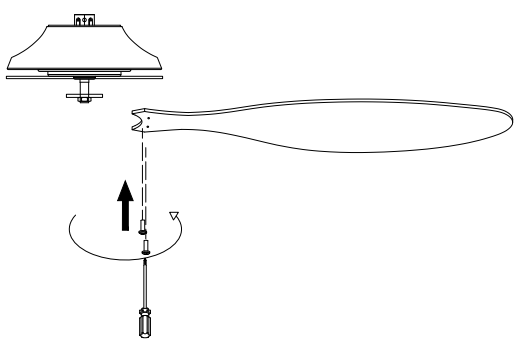
5



Comme le montre la figure, le ventilateur principal est accroché à la plaque de suspension

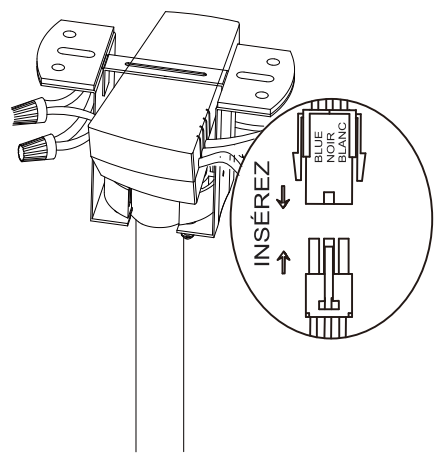
6

Verrouiller les 5 éléments du porte-lame sur le moteur



⊕ Tournevis Phillips

7



Installation et câblage de télécommandes



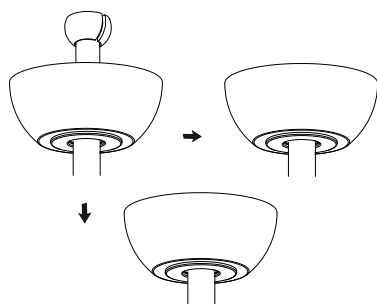
Parrot Uncle

F6357-SMART

Instructions d'installation et d'utilisation pour le
Installation du propriétaire de Parrotuncle, manue

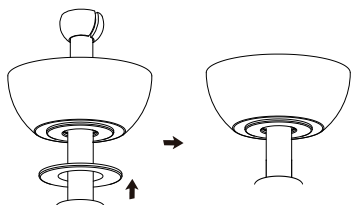
VERTISSEMENT : COUPER L'ALIMENTATION AU FUSIBLE OU AU DISJONCTEUR

9



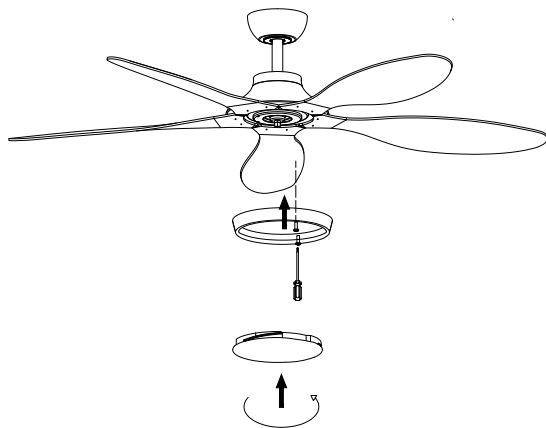
Visser la coupelle de suspension dans les
deux vis sous l' trier de suspension
dans le sens dans le sens de la flê che et
serrez-les avec un l'aide d'un tournevis
cruiciforme

10



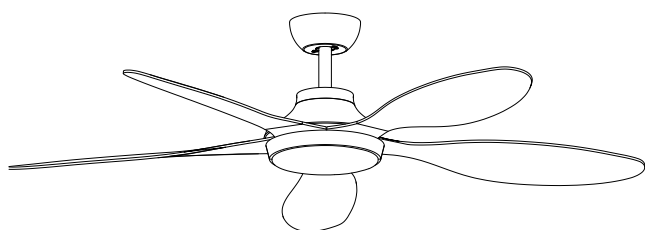
Comme le montre la figure, installez l'
anneau d' coratif en fer pour le
suspendre.

11



Installer comme illustr

12



Effet apr s l'installation



Parrot Uncle

F6357-SMART

Instructions d'installation et d'utilisation pour le
Installation du propriétaire de Parrotuncle, manue

VERTISSEMENT : COUPER L'ALIMENTATION AU FUSIBLE OU AU DISJONCTEUR

Télécommande INFORMATIONS GÉNÉRALES

1. INSTALLATION DU RÉCEPTEUR DANS LE VENTILATEUR DE PLAFOND

A. Précautions de sécurité

AVERTISSEMENT: HAUTE TENSION! Couper l'alimentation en retirant le fusible ou en coupant le disjoncteur.

Ne pas utiliser avec des ventilateurs à semi-conducteurs.

Le fil électrique doit être conforme à toutes les exigences des codes électriques locaux et nationaux.

B. Puissance électrique: 110/120V 50/60Hz

MAX. Watts de moteur: 40W

MAX. Watts de lumière: 20W

Autrement, le courant peut causer des blessures graves ou la mort.

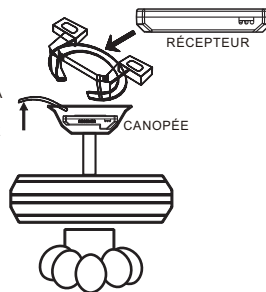
C. Installation du récepteur dans le ventilateur (FIG.2)

- Couper l'alimentation du circuit.
- Retirer l'auvent du ventilateur de plafond de son support de montage.
- Débranchez le câblage existant entre le ventilateur de plafond et l'alimentation dans la boîte de jonction électrique.
- Effectuer les raccordements comme suit, en utilisant les écrous fournis: (FIG.1)

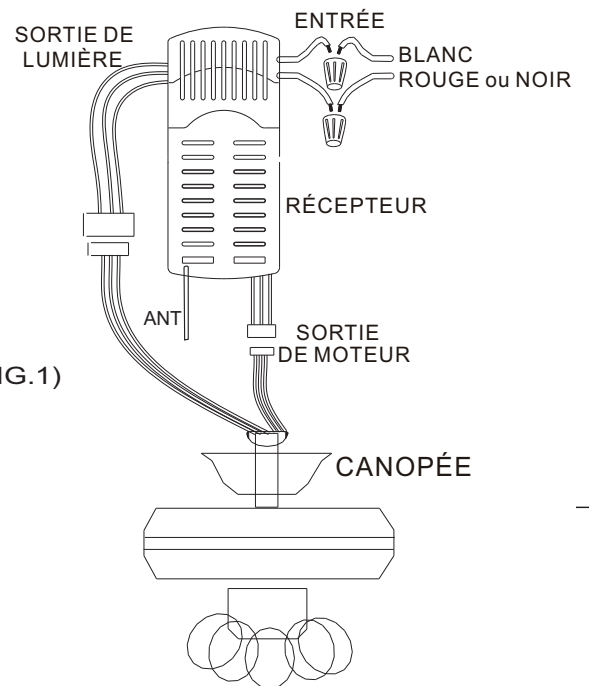
Utilisez les écrous de raccordement fournis avec le ventilateur

SOURCE D'ALIMENTATION
AC 110~120 VOLT 50/60Hz

L'ANTENNE PLACÉE À L'EXTÉRIEUR DE LA
BOÎTE D'AUVENT PERMET
D'OBTENIR UNE PLUS GRANDE DISTANCE
DE FONCTIONNEMENT.



(FIG.2)



(FIG.1)

Fil vert du ventilateurFil d'alimentation nu

Fil rouge du récepteur (AC IN L)Fil d'alimentation rouge ou noir

Fil blanc du récepteur (AC IN N)Fil d'alimentation blanc

Fil blanc du récepteur (AU MOTEUR1)Fil blanc du ventilateur

Fil noir du récepteur (AU MOTEUR2)Fil noir du ventilateur

Fil rouge du récepteur (AU MOTEUR3)Fil rouge du ventilateur

Fil rouge du récepteur (Pour l'éclairage1)fil rouge de l'éclairage

Fil jaune du récepteur (Pour l'éclairage2)Fil jaune de l'éclairage

Fil blanc du récepteur (Pour l'éclairage3)fil blanc de l'éclairage

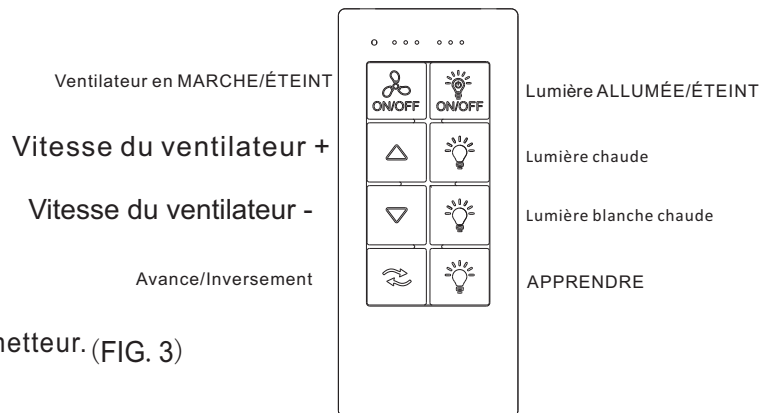
2. TRANSMETTEUR DE FONCTIONNEMENT:

A. Installer la pile 2032 3 volts.

(Pour éviter d'endommager l'émetteur, retirez la pile si vous ne l'utilisez pas pendant une longue période).

B. Conserver l'émetteur à l'abri de la chaleur et de l'humidité excessives.

C. Actionner les boutons situés sur le panneau de l'émetteur. (FIG. 3)



(FIG.3)

D. Réglage des codes sur le récepteur:

La touche d'apprentissage doit être appuyée dans les 5 secondes qui suivent l'appui sur le bouton d'alimentation.

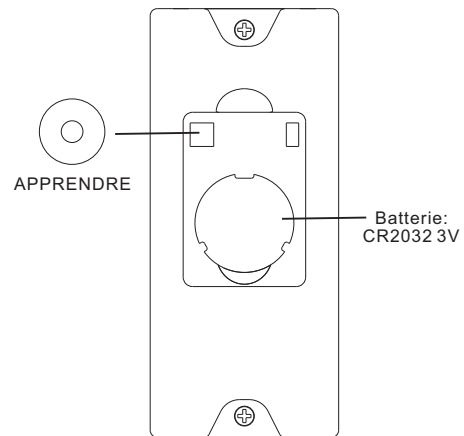
Si no, por favor pulse el botón de encendido para reiniciar.

Si ce n'est pas le cas, appuyez sur le bouton d'alimentation pour redémarrer.

Si vous appuyez sur la touche APPRENDRE pendant plus de 3 secondes, vous obtenez l'état APPRENDRE. (FIG. 4)

Le récepteur peut mémoriser les derniers codes.

La lumière du ventilateur de plafond clignote deux fois.



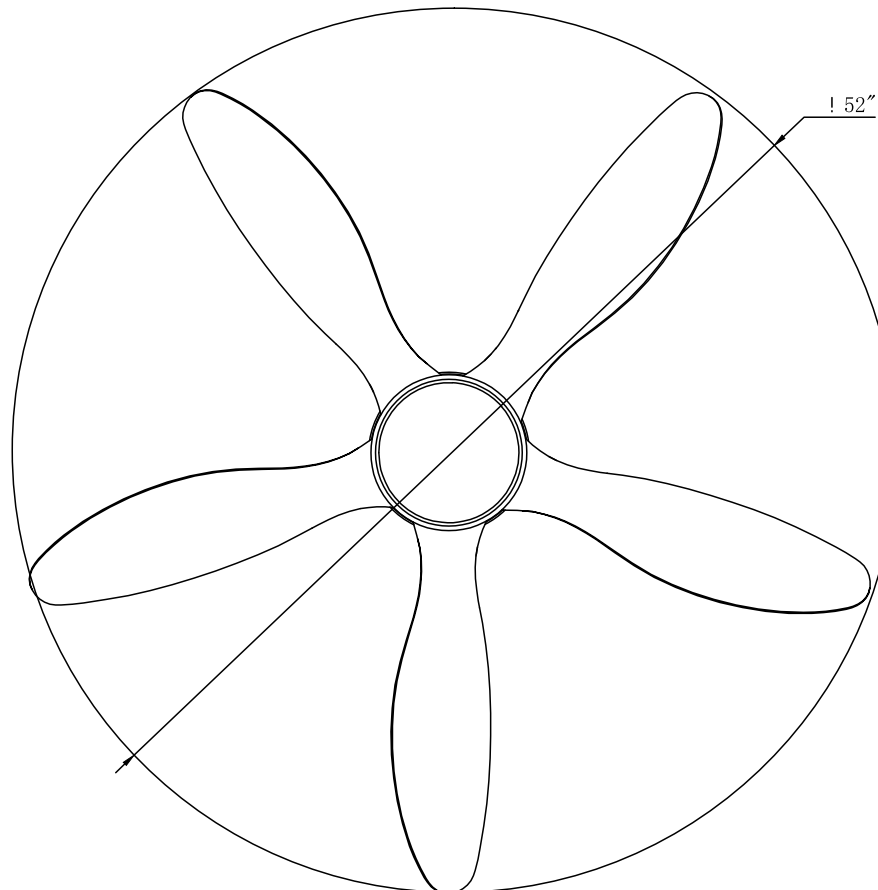
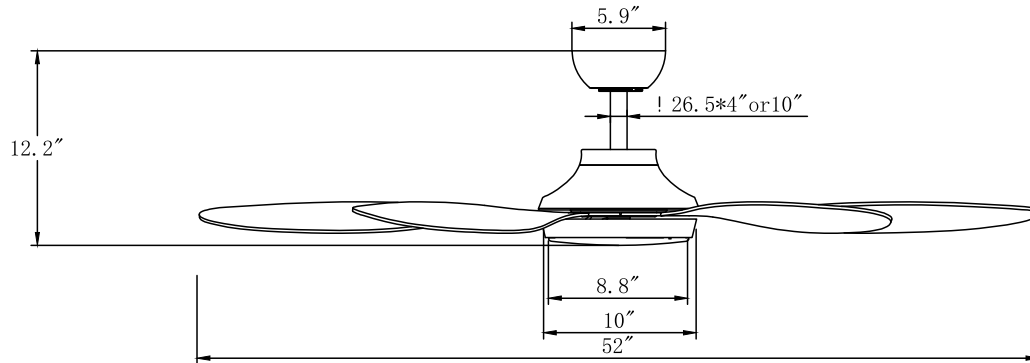
(FIG.4)



F6357-SMART

Instructions d'installation et d'utilisation pour le
Installation du propri taire de Parrotuncle, manue
VERTISSEMENT : COUPER L'ALIMENTATION AU FUSIBLE OU AU DISJONCTEUR

Taille Du Produit





Parrot Uncle

F6357-SMART

Instructions d'installation et d'utilisation pour le
Installation du propri taire de Parrotuncle, manue

VERTISSEMENT : COUPER L'ALIMENTATION AU FUSIBLE OU AU DISJONCTEUR

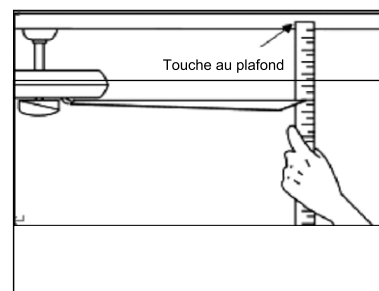
APRÈS L'INSTALLATION

OSCILLATION"

Les pales du ventilateur ont été réglées en usine pour minimiser toute oscillation.

NOTE: CEILING FANS TEND TO MOVE DURING OPERATION DUE TO THE FACT THAT THEY ARE MOUNTED ON A RUBBER CROMMET. IF THE FAN WAS MOUNTED RIGIDLY TO THE CEILING, IT WOULD CAUSE EXCESS VIBRATION. MOVEMENT OF A FEW CENTIMENTERS IS QUITE ACCEPTABLE AND DOES NOT SUGGEST ANY PROBLEM TO REDUCE THE FAN WOBBLE: PLEASE CHECK THAT ALL SCREWS WHICH SECURED THE MOUNTING BRACKET AND DOWNROD ARE SECURE.
BALANCING A WOBBLING CEILING FAN:

1. Vérifiez que toutes les vis des pales et du bras de pale sont bien fixées.
2. La plupart des problèmes d'oscillation du ventilateur sont dus à l'inégalité du niveau des pales. Vérifiez ce niveau en en choisissant un point du plafond au-dessus de l'extrémité de l'une des pales. pales. Mesurez cette distance. Faites tourner le ventilateur jusqu'à ce que la pale suivante soit positionnée pour la mesure. mesure. Répétez l'opération pour chaque pale. L'écart de distance doit être égal à 1/8"(0,32cm).
3. si l'oscillation des pales est toujours perceptible, l'échange de deux pales adjacentes (côte à côte) peut redistribuer l'écart entre les pales. deux lames adjacentes (côte à côte) peut redistribuer le poids et éventuellement permettre un fonctionnement plus régulier.



AVERTISSEMENT : POUR RÉDUIRE LES RISQUES DE BLESSURES, NE PLIEZ PAS LE BRAS DE PALE LORS DE L'INSTALLATION, DE L'ÉQUILIBRAGE DES PALES OU DU NETTOYAGE DU VENTILATEUR. N'INSÉREZ PAS D'OBJETS ÉTRANGERS ENTRE LES PALES DU VENTILATEUR EN ROTATION.

BRUIT

Par temps calme (surtout la nuit), vous pouvez entendre de petits bruits occasionnels. C'est normal. Prévoyez une période de rodage de 24 heures, la plupart des bruits associés à un nouveau ventilateur disparaissent pendant cette période. La plupart des bruits associés à un nouveau ventilateur disparaissent pendant cette période.

ENTRETIEN ET NETTOYAGE

1. Le nettoyage périodique de votre ventilateur de plafond est le seul entretien nécessaire. Utilisez une brosse douce ou un chiffon non pelucheux pour éviter de rayer la peinture. Veillez à éteindre l'électricité avant de nettoyer votre ventilateur.
2. n'utilisez pas d'eau pour nettoyer votre ventilateur de plafond. Cela pourrait endommager le moteur ou les pales et créer un risque d'électrocution.
3. le moteur est équipé d'un roulement à billes lubrifié en permanence. Il n'est pas nécessaire de l'huiler.

NOTE : ASSUREZ-VOUS QUE LE COURANT EST COUPÉ AU NIVEAU DU PANNEAU ÉLECTRIQUE AVANT D'ENTREPRENDRE TOUT NETTOYAGE OU TOUTE RÉPARATION. DE NETTOYER OU DE RÉPARER L'APPAREIL.



Parrot Uncle

F6357-SMART

Instructions d'installation et d'utilisation pour le
Installation du propriétaire de ParrotUncle, manuel

VERTISSEMENT : COUPER L'ALIMENTATION AU FUSIBLE OU AU DISJONCTEUR

APP Connexion du Contrôle

1. Recherchez et téléchargez d'abord l'application gratuite ParrotUncle Smart sur l'App Store ou Google Play ou scannez le QR Code ci-dessous.

2. Ouvrez l'application ParrotUncle Smart pour créer votre compte.
Le compte «ParrotUncle Smart» peut être enregistré par e-mail ou par téléphone mobile.



3. Connectez l'appareil à l'application ParrotUncle Smart (WIFI & Bluetooth activés) :

- a. Appuyez sur le bouton «+» dans la liste des appareils.
- b. Appuyez sur «Auto Scan» en haut.
- c. Attendez que l'appareil apparaisse et appuyez sur «Suivant».
- d. Appuyez sur le bouton «+» pour ajouter un appareil.
- e. Connectez-vous au réseau WIFI de votre domicile.
- f. Attendez la connexion.

4. Connectez l'appareil à l'Alexa :

- a. Assurez-vous que vous avez connecté l'appareil à l'application et qu'il fonctionne normalement.
- b. Ouvrez l'application Alexa, allez dans la compétence pour rechercher la compétence «ParrotUncle Smart».
- c. Liez la compétence, connectez-vous avec votre compte ParrotUncle Smart et votre mot de passe, puis autorisez, et connectez-vous à l'application ParrotUncle Smart.
- d. Alexa trouvera alors automatiquement l'appareil.

5. Connectez l'appareil au Google Home :

- a. Assurez-vous que vous avez connecté l'appareil à l'application et qu'il fonctionne normalement.
- b. Ouvrez l'application Google Home, configurez un appareil et choisissez «Works with Google».
- c. Recherchez «ParrotUncle Smart», connectez-vous avec votre compte et votre mot de passe de l'application ParrotUncle Smart, puis autorisez et connectez-vous à l'application ParrotUncle Smart.
- d. L'assistant Google trouvera alors automatiquement l'appareil.

Comment réinitialiser les paramètres réseau d'un ventilateur de plafond?

- a. Éteignez le ventilateur
- b. Allumez le ventilateur, appuyez sur le bouton d'arrêt de la télécommande et maintenez-le enfoncé pendant 30 secondes
- c. Le clignotement de la lumière indique que la réinitialisation des paramètres du réseau a réussi
- d. Vous pouvez maintenant utiliser l'application pour reconnecter l'appareil

Si vous avez besoin d'aide, visitez le site <https://faq.parrotuncle.com> ou scannez ce code QR pour regarder la vidéo.



Parrot  Uncle