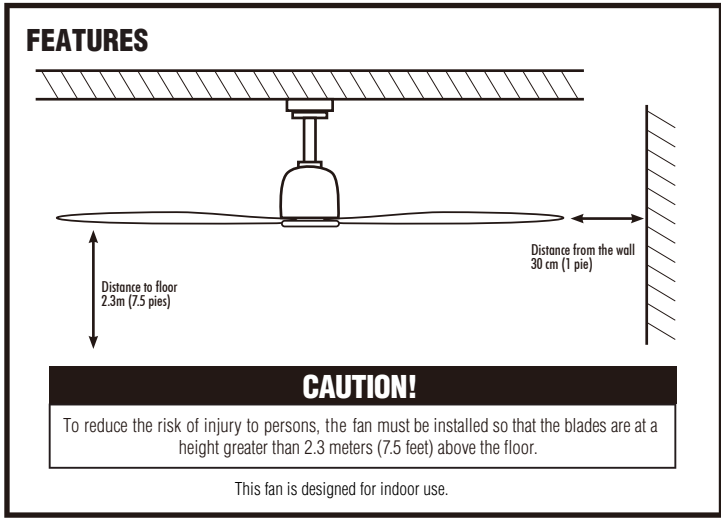
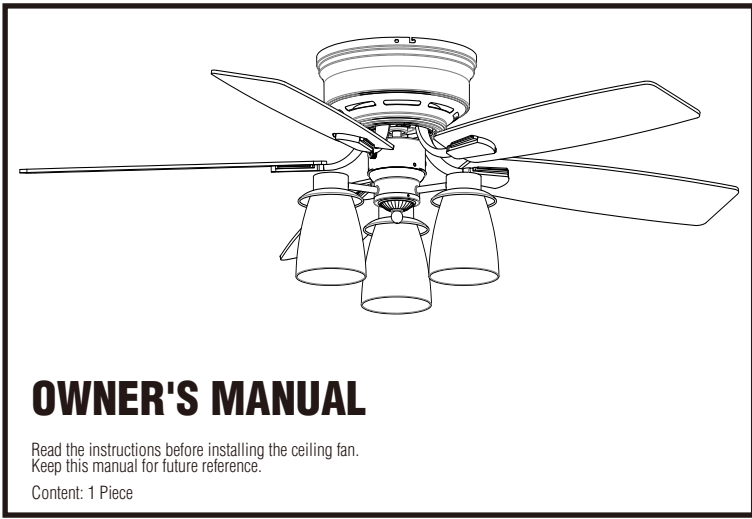


**CAUTION**  
 READ INSTRUCTIONS CAREFULLY FOR SAFE INSTALLATION AND FAN OPERATION. IF UNSURE CONSULT A QUALIFIED ELECTRICIAN

**THANK YOU FOR YOUR PURCHASE**  
 Thank you for purchasing this quality product. To ensure correct function and safety, please read and save all instructions before using the product



**WARNING / CAUTION**  
 A WARNING / CAUTION notice denotes a hazard. It calls attention to an installation procedure, operating procedure, maintenance procedure, or the like, that if not correctly performed or adhered to, could result in damage to this appliance, personal injury or death. Do not proceed beyond a WARNING / CAUTION notice until the indicated conditions are fully understood and met.

**SAFETY SYMBOLS**

	Alternating current
	Protective earth
	Warning/Caution

**SAFETY PRECAUTIONS**  
 Please observe the following general safety precautions carefully before and during all phases of handling, installation, removal, operation and maintenance of this product. Failure to comply with these precautions violates safety standards of design, manufacture and intended use of the product. Mercator assumes no liability for customer's failure to comply with these requirements.

**SAFETY WARNINGS**

1. Read all instructions and safety information. Review assembly diagrams provided before installing your new ceiling fan.
2. This fan must be installed by a licensed and qualified electrician according to ETL and local authority regulations.
3. This appliance is not intended for use by persons (including children) with reduced physical, sensory or mental capabilities, or lack of experience and knowledge, unless they have been given supervision or instruction concerning use of the appliance by a person responsible for their safety.
4. Young children should be supervised to ensure that they do not play with the appliance.
5. All electrical works must only be undertaken after disconnection of the power by removing fuses or turning off the circuit breaker, to ensure all pole isolation of the electrical supply.
6. Do not use outdoors where it could be exposed to water or moisture.
7. This manual is not intended to instruct or assist untrained or unqualified persons to install this ceiling fan.
8. It is the responsibility of qualified, licensed installer and user to apply common sense and care at all times during installation and operation.

**HOW TO CHOOSE A PROPER LOCATION FOR CEILING FAN**

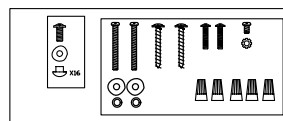
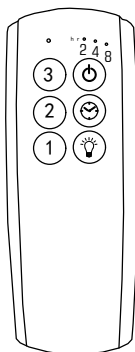
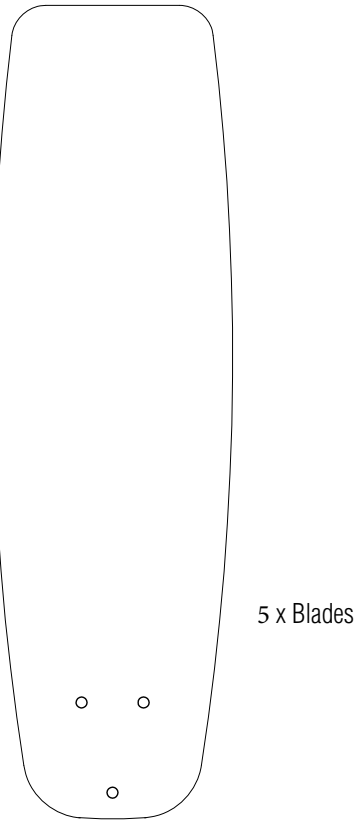
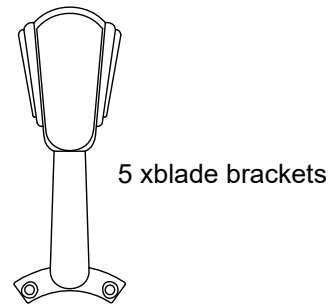
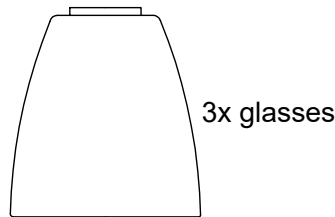
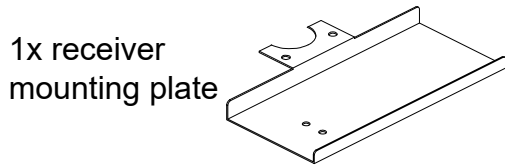
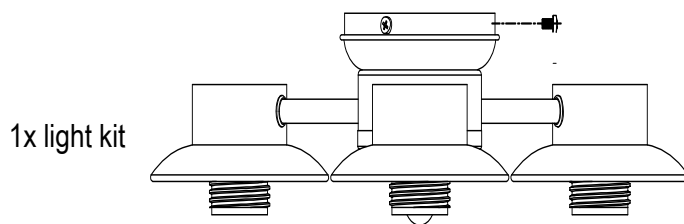
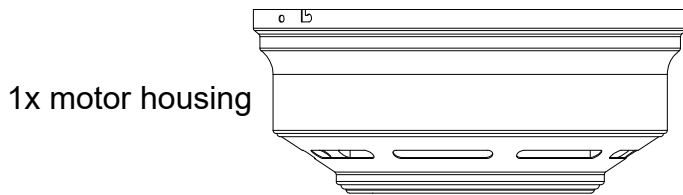
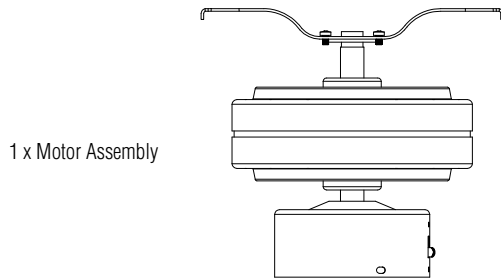
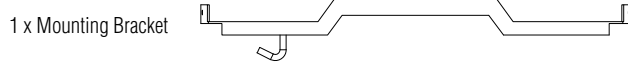
1. According to regulations and to provide a safe clearance from the floor, the lowest point on the fan blade must be at least 2.1 metres (7 feet) from the floor.
2. For fan installed enclosed outdoors, the fan must be installed at least 1.5m from the perimeter of roof/eaves of the enclosure to protect the product from direct or indirect rain water or sunlight.
3. The chosen location for the fan must not allow the rotating blades to come into contact with any object.
4. Please check carefully and make sure that ceiling joists are strong enough and of adequate size to support the weight of about 35 kg.
5. To reduce the risk of fire, electrical shock or personal injury, please make sure that the fan mounting bracket is directly supported from the building structure. Do not mount to an outlet box.
6. The mounting bracket must be firmly screwed to a load bearing building structure e.g. a concrete ceiling, steel structure, or a timber frame. If additional timber frames are to be added, those must be securely nailed or screwed between the beams.
7. Attach fan blades after the fan motor housing is installed and properly secured. Keep the fan motor and blades in the original package until it is ready to be installed.

**SAFETY PRECAUTIONS**

8. Check and confirm, after the fan is completely installed, that all connections are proper and secure to prevent the fan from falling or causing property damages or personal injury.
9. Take care not to bend or damage the motor Drive Shaft or Fan Blades when handling or installing them. If such defect is noticed, please contact the Customer Service before installation of the ceiling fan.
10. Fan and hanging (mounting) bracket must be earthed.
11. Use of an unapproved remote controller voids the warranty. Only Mercator remote controllers are approved for use with Mercator ceiling fans. Do not use solid state controllers.
12. Do not remove the fan from the ceiling after installation.
13. Make sure electricity is turned off at the main power box before commencing work. Turn off the power by removing fuse or turning off circuit breaker before installing the fan and replacing lamps

## UNPACKING YOUR CEILING FAN

Open the original carton and verify the following items are available for the standard purchase of this product. If there are any missing or mechanically damaged items, contact the Mercator Customer Care. Do not throw away the carton or other packaging material as it may be needed if warranty replacement or repair is ever necessary.



1 x Balance kit

1 x Hardware PACKAGE

1 x INSTRUCTION BOOK

### CAUTION

- Use of an unapproved remote controller voids the warranty. Therefore do not control the operation of this fan from any remote controller that is not approved by Mercator for use with this fan.
- Do not use solid state controllers.

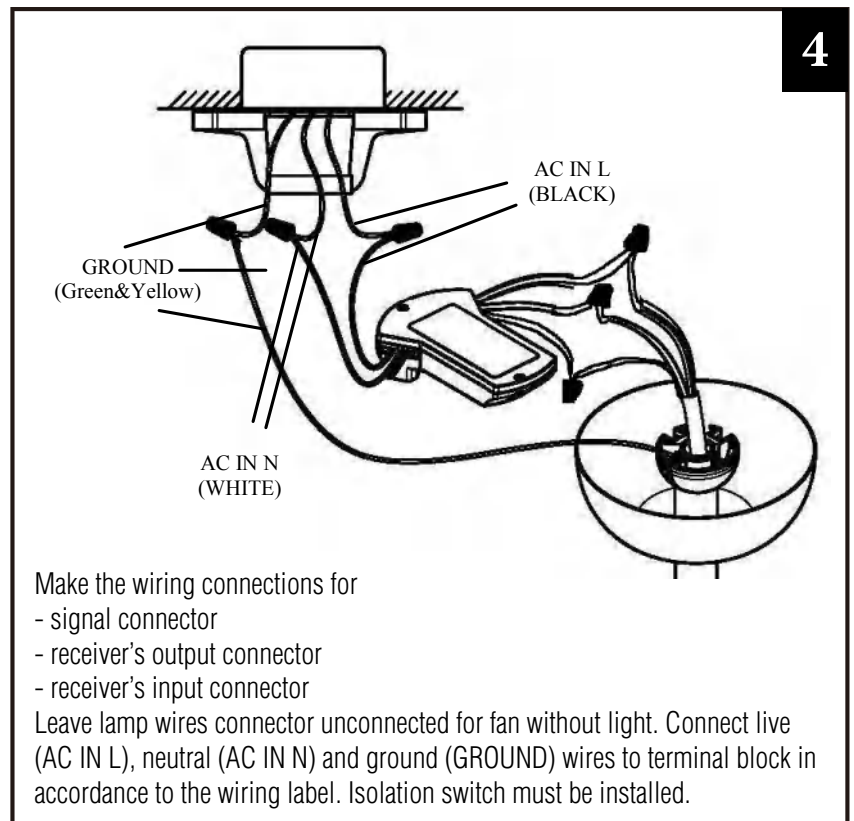
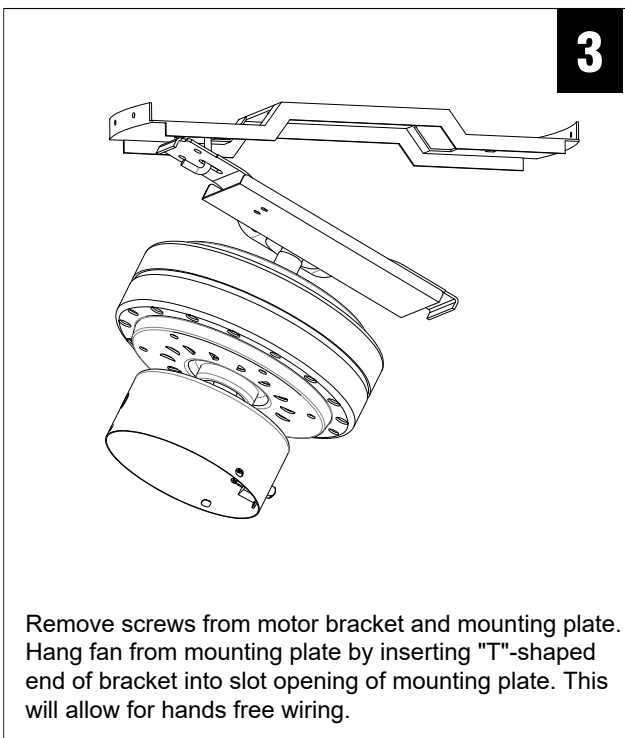
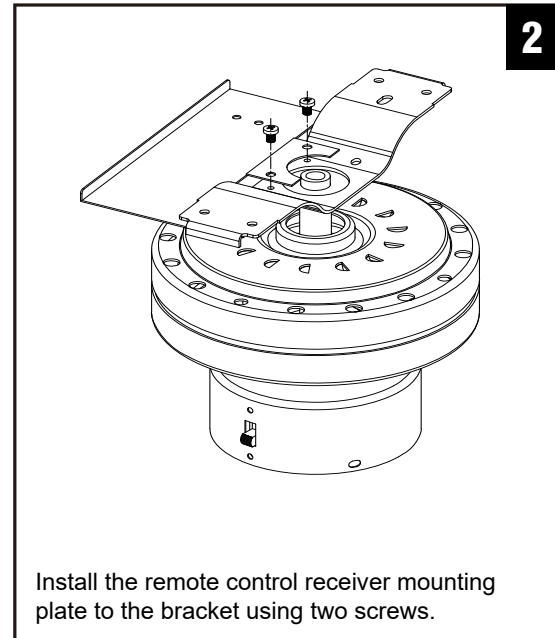
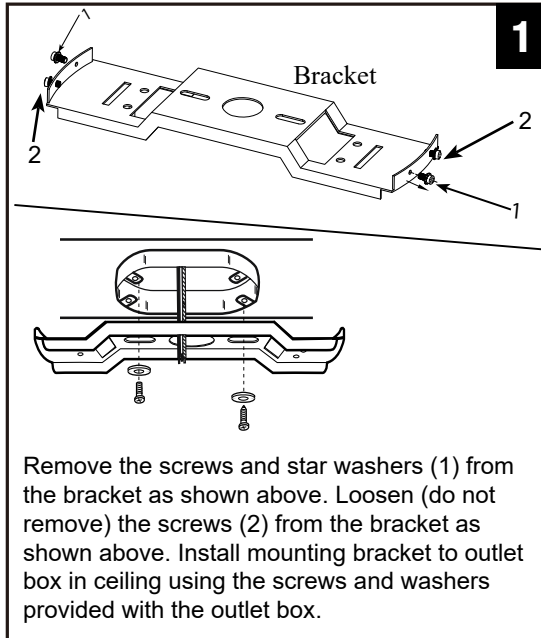
**WARNING: SHUT POWER OFF AT FUSE OR CIRCUIT BREAKER**

## FAN INSTALLATION INSTRUCTIONS

### ⚠ WARNING

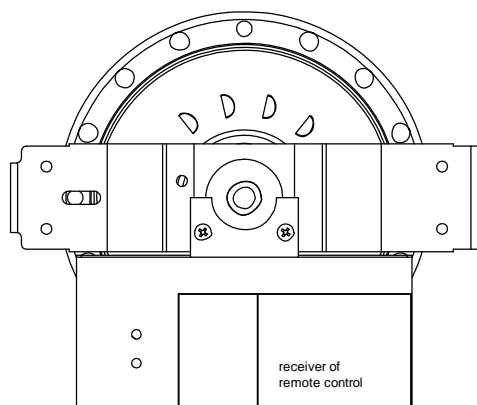
Make sure electricity is turned off at the main power box before commencing work. Turn off the power by removing fuse or turning off circuit breaker before installing the fan and replacing the lamps.

- The lowest point on the fan blade must be at least 2.1 metres (7 feet) from the floor.
- Make sure that ceiling joists are strong enough and of adequate size to support the weight of the fan of about 35 kg.

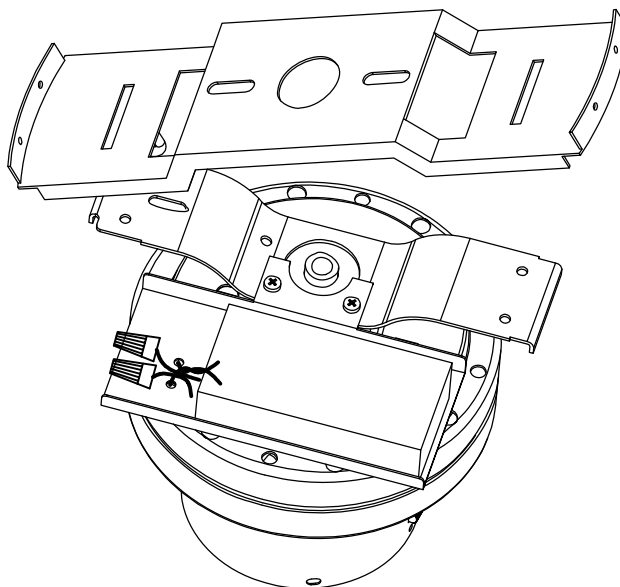


**WARNING: SHUT POWER OFF AT FUSE OR CIRCUIT BREAKER**

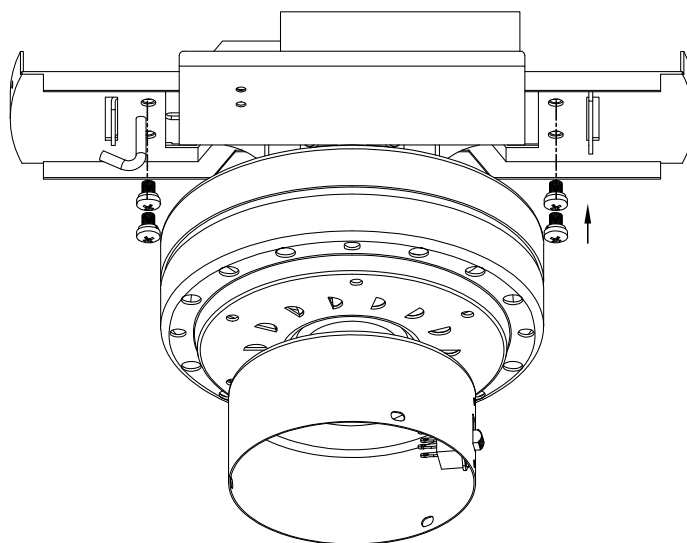
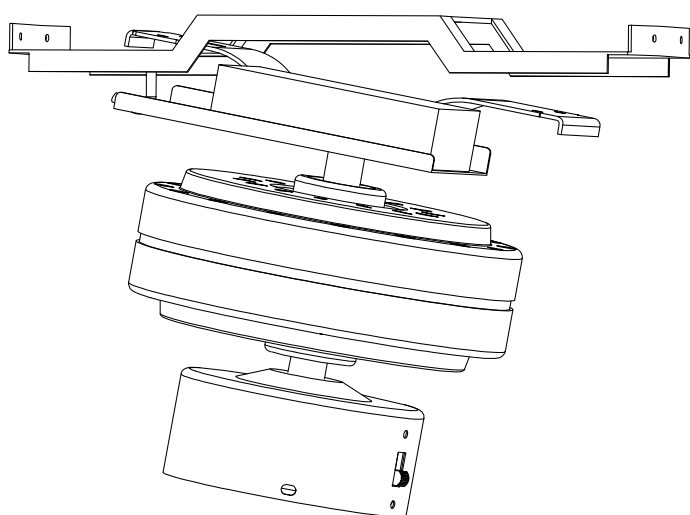
## FAN INSTALLATION INSTRUCTIONS



Put the receiver over here



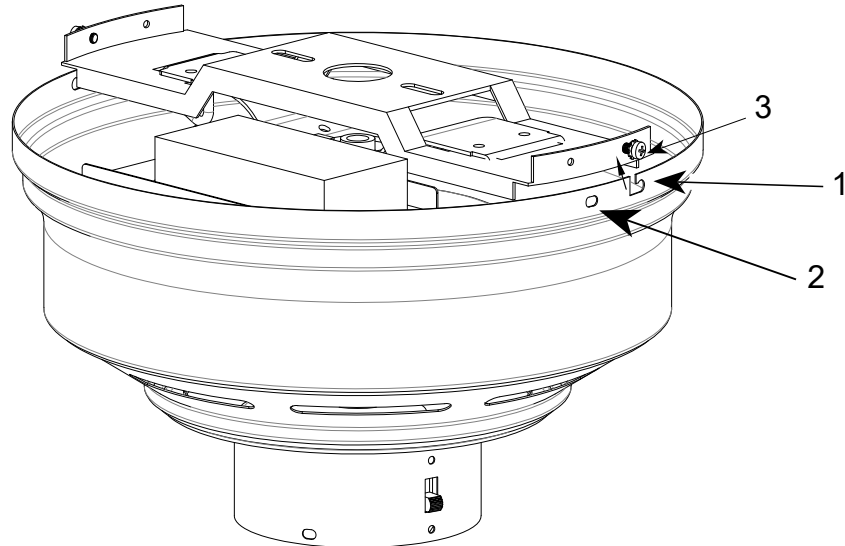
Install the receiver on the mounting plate as above figure. After connecting the wires, arrange the wires and tie them with a wire cable tie provided.



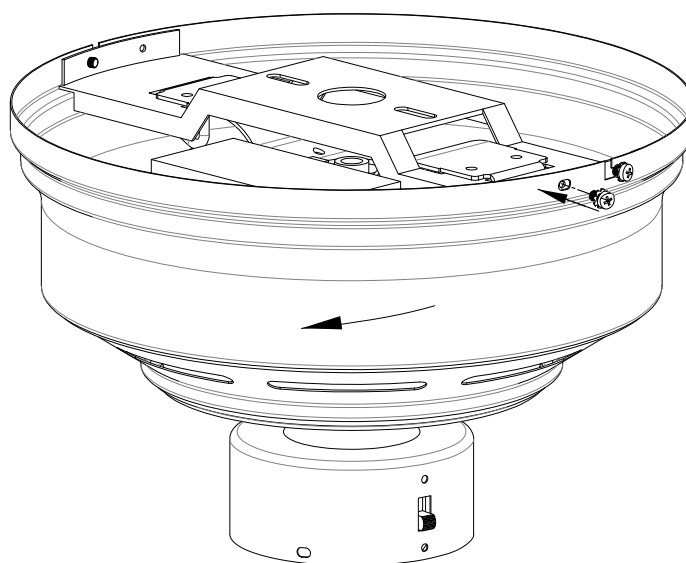
Push motor upward and attach the motor to the mounting plate by tightly securing with screws and washers provided.

**WARNING: SHUT POWER OFF AT FUSE OR CIRCUIT BREAKER**

## FAN INSTALLATION INSTRUCTIONS



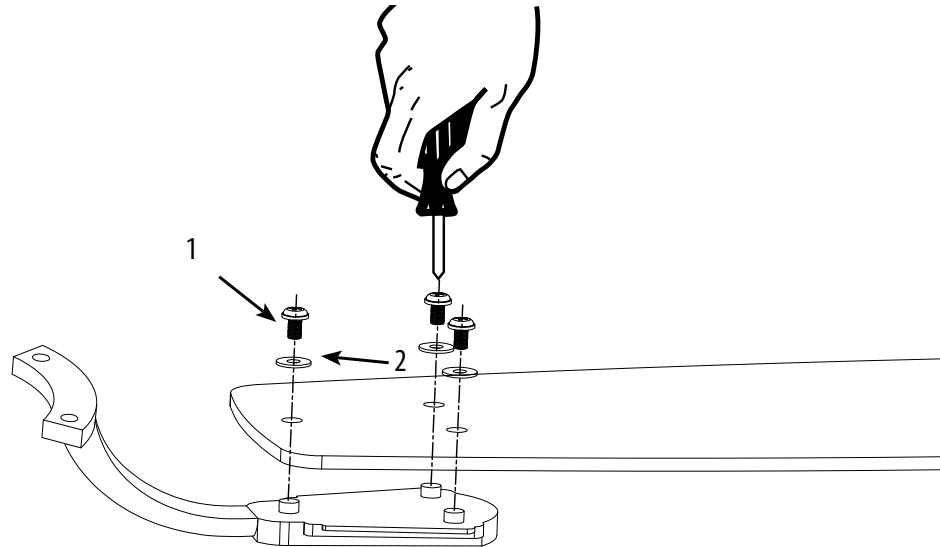
Carefully lift the housing up toward . The decorative motor housing has two mating slots (1) and two mating holes (2). Position both slots on the motor housing directly under and in line with two screws in the mounting bracket (3). Lift the motor housing, allowing the two screws to slide into the mating slots.



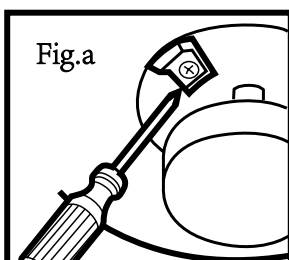
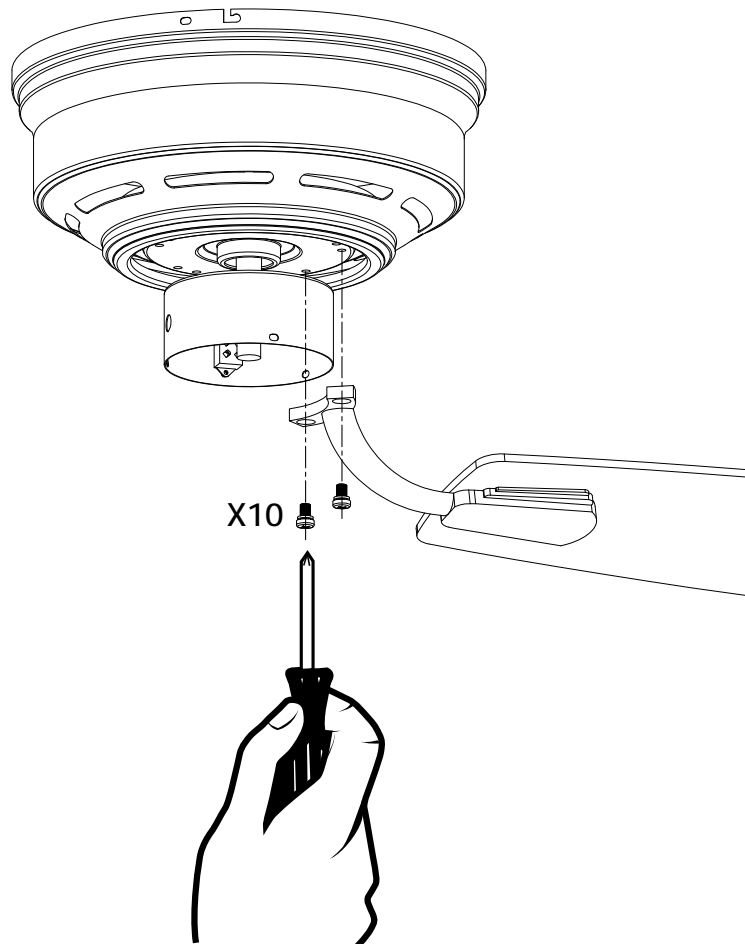
Rotate the motor housing clockwise until both screws from the mounting bracket drop into the slot recesses. Tighten screws securely.

## FAN INSTALLATION INSTRUCTIONS

1. Attach blade brackets to blades using the blade bracket screws (1) and fabric washers (2).

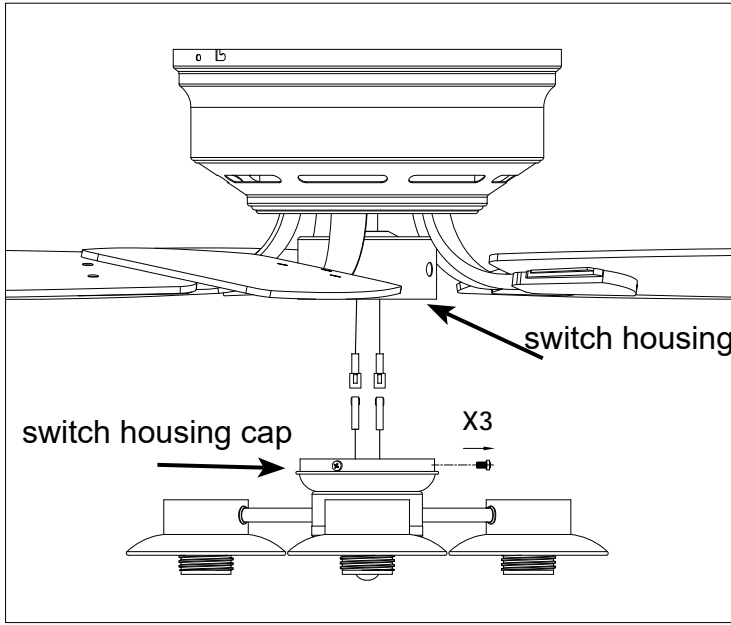


2. If plastic shipping stabilizer tabs are attached to motor, remove and discard (Fig.a). Attach blade assembly to motor using the noise-dampening motor gaskets and motor screws provided. Tighten screws securely. NOTE: Some models do not utilize motor gaskets, washers, or stabilizer tabs.



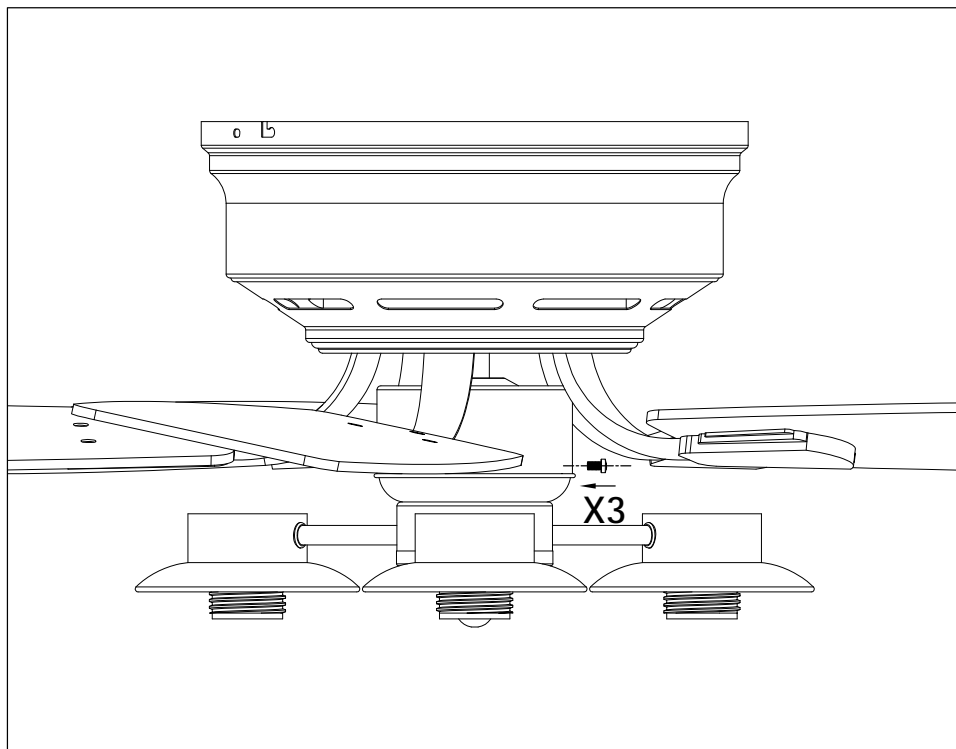
## FAN INSTALLATION INSTRUCTIONS

### Light kit Installation



Remove the 3 screws from switch housing cap, keep them for future usage.

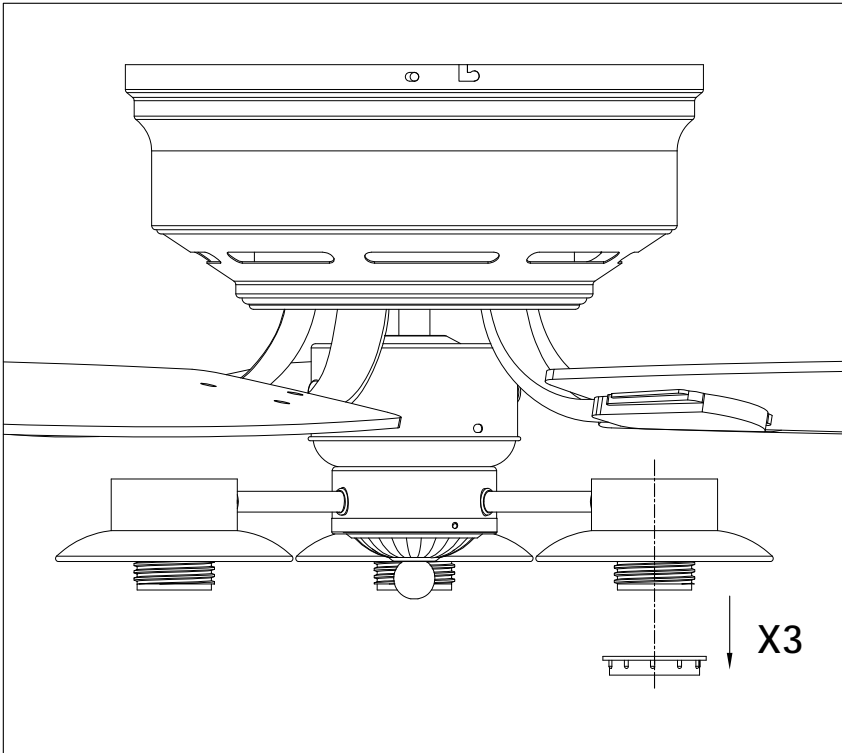
Insert the wire plug from motor going through the center hole of switch housing cap as shown.



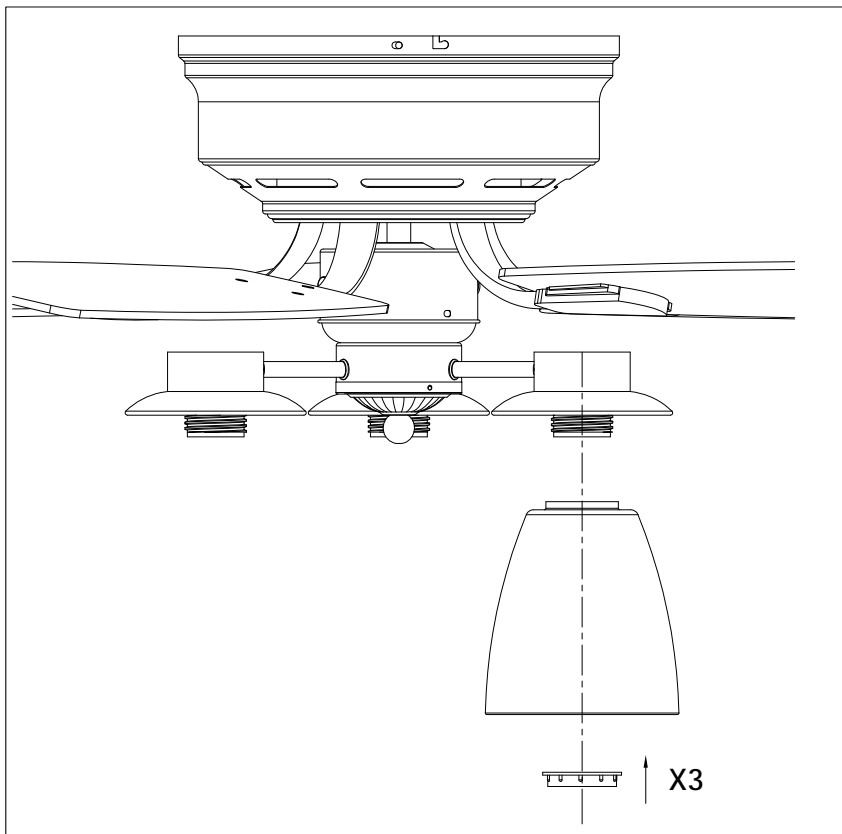
Attach the switch housing to the switch housing cap using 3 screws removed previously, tighten them securely.

## FAN INSTALLATION INSTRUCTIONS

## Light Kit Installation



Remove the 3 cap rings  
from the lamp holder.



Put the glass in the lamp  
holder and screw the cap  
ring back. Rotate 3\* E26  
bulbs (not included) into  
the lamp holders .



**IMPORTANT**

YOU MUST SET CEILING FAN MANUAL SWITCH TO HIGH SPEED AND LIGHT KIT (IF ANY) TO ON POSITION BEFORE OPERATING REMOTE CONTROL.

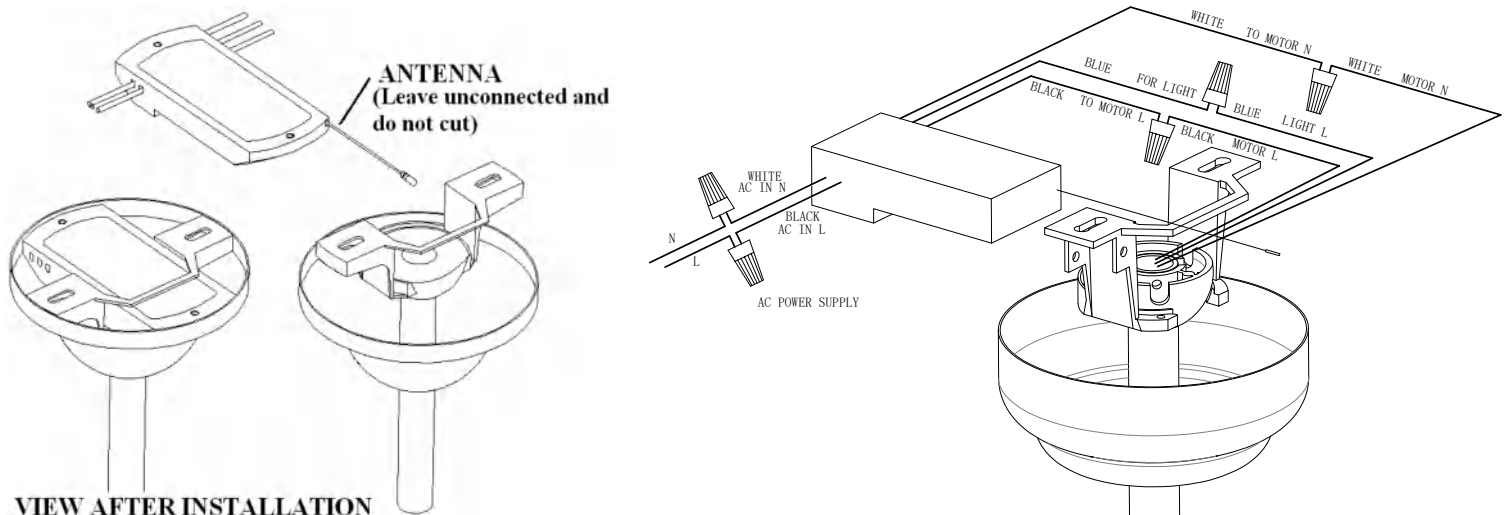
**IMPORTANT POINTS TO REMEMBER:**

1. Please read and save these instructions.
2. Please note that all fixed wiring appliances should be installed by a qualified electrician.
3. The supply to the remote control receiver should be connected through a mains switch, i.e. existing wall switch.
4. Disconnect from power supply at wall switch before working on remote control receiver or ceiling fan.
5. Install receiver into the ceiling fan canopy of the fan to ensure proper protection.
6. This unit is to be used for the control of ceiling fan and in an AC120V 60Hz power supply only, rated max 1.25A for fan, max 300W for light.
7. Do not install in damp locations or immerse in water. (For indoor use only.)
8. Do not pull on or cut leads shorter.
9. Do not drop or bump the unit.
10. PLEASE NOTE: The battery will weaken with age and should be replaced before leaking takes place as this will damage the transmitter. Dispose of used battery properly, keep the battery out of reach of children.
11. CAUTION: To reduce the risk of fire or injury, do not use this product in conjunction with any variable (rheostat) wall control.

**INSTALLATION INSTRUCTIONS**

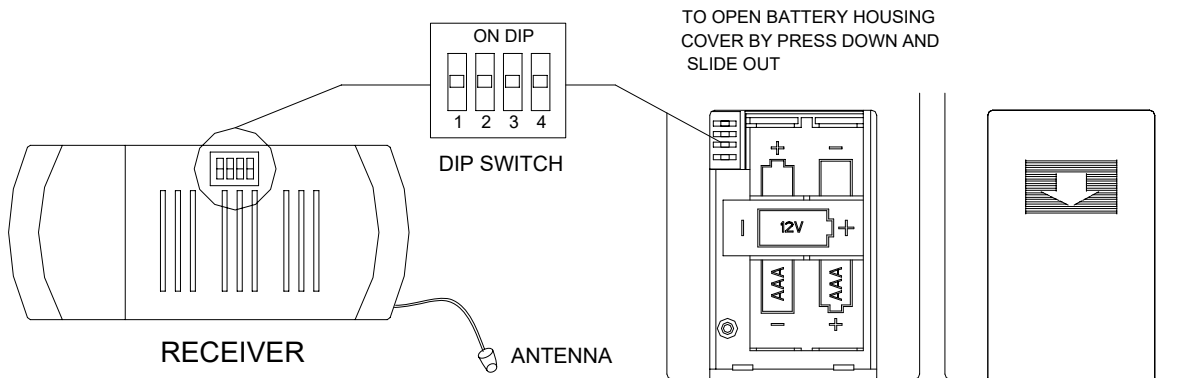
**CAUTION: INCORRECT WIRE CONNECTION WOULD DAMAGE THIS RECEIVER.**

1. Ceiling fan must be set at HIGH speed and light kit (if any) at ON position by pressing the "Light Switch" after installation.
2. Once the connection has been made, the receiver inserts into the drop rod hanging bracket. The canopy comes up to cover the receiver and bracket.



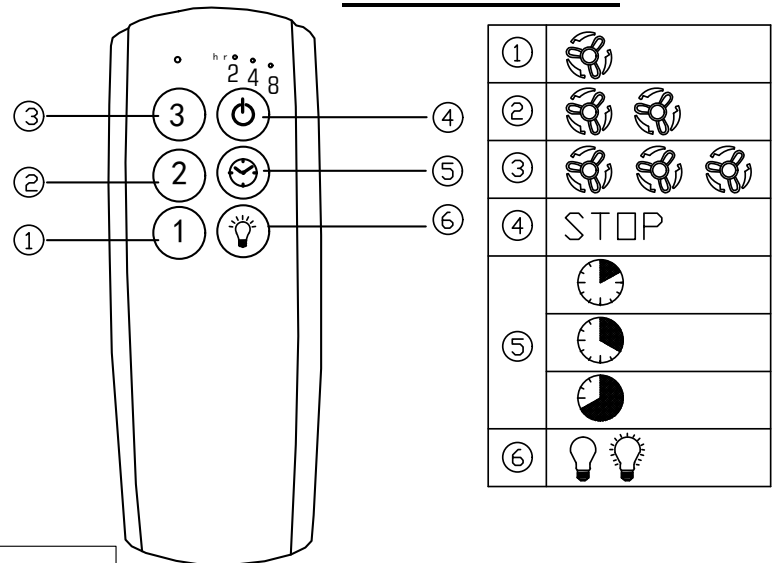
## CODE SWITCH

1. **CODE SWITCH:** Codes are set by pushing dip switches up or down. It is imperative that the code used for both transmitter and receiver is exactly the same, otherwise remote controller will not work. Please note the code switch will enable you to operate a second remote controller independently. For example, if you have two ceiling fans with 2 remote control units, set 2 different codes for each set of transmitter/receivers. This means you can operate each ceiling fan independently.
2. Your remote control is ready for use after battery installation (need 12V battery 1pc).

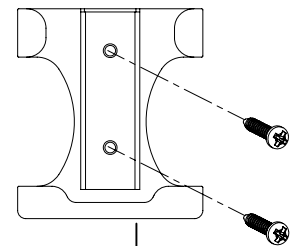
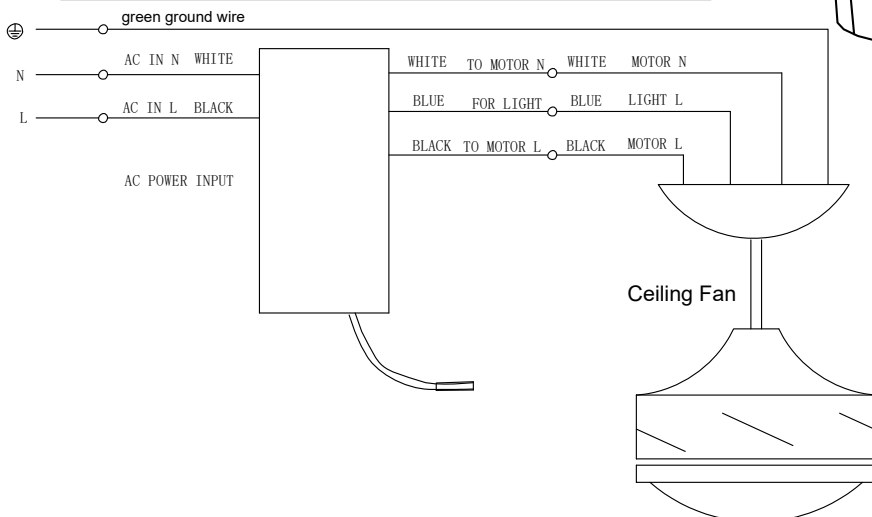


## FUNCTIONS OF TRANSMITTER

## TRANSMITTER



### Ceiling Fan Remote Control Wiring Connection



To install the Transmitter Wall Mount Holder with two screws.

**WARNING: SHUT POWER OFF AT FUSE OR CIRCUIT BREAKER**

## IMPORTANT FACTS

All electric motors, including fan motors make some noise and may feel hot to touch - this is not a fault. Ceiling fans tend to move during operation as they are not generally rigid-mounted. Rigid mounted ceiling fans generate excessive vibration and stress on their mountings.

Movement of a couple of centimetres is quite normal and does not suggest the fan will fall down.

Please note - all ceiling fans are not the same, even in the same model some may move more or less than others.

Fan lights can rattle, if they are not supplied with the fan. They are not covered by warranty.

## FAN OPERATION

A ceiling fan is an environmentally smart choice when it comes to cooling as well as helping to warm your room. You should see a reduction in both cooling and heating costs by regular use of your fans.

Do not hesitate to use your fans in both summer and winter months.

In summer fans should be set to spin in anti clockwise direction blowing down cool breeze.

In winter, fan should be set to spin in clock wise direction so that an upward airflow will push warm air off the ceiling and circulate it downwards into the living areas. In winter months use the fan on a lower speed than in summer.

## NORMAL WEAR AND TEARt

Threaded components working slightly loose, or blade carriers becoming slightly bent due to vigorous cleaning or bumping can cause extra wobble and noise. This is not covered under warranty, but a little care and maintenance can reduce or prevent this problem.

## NIGHT NOISES

This is the biggest cause of service calls, which are outside the manufacturer's warranty. If a fan has a fault it will be noticeable at all times. Naturally when everything is quiet at night you will be more inclined to hear small noises, which may not be noticeable at other times. Even slight signals super imposed in your electricity supply for off peak hot water control may cause a change in the fan motor noise. This is normal.

Modelo: F6291

## CARACTERISTICAS ELECTRICAS:

Parrotuncle Lighting, 218 Black Tie Lane, Chapel Hill, NC [www.parrotuncle.com](http://www.parrotuncle.com)

Parrot Uncle YOU CAN BE SURE OF are trademarks of Eileen Grays LLC.

Used under license by Eileen Grays LLC.

All rights reserved.

Made in CHINA

