


CAUTION
READ INSTRUCTIONS CAREFULLY FOR SAFE INSTALLATION AND FAN OPERATION. IF UNSURE CONSULT A QUALIFIED ELECTRICIAN

THANK YOU FOR YOUR PURCHASE
Thank you for purchasing this quality product. To ensure correct function and safety, please read and save all instructions before using the product



SAFETY TIP

- To avoid possible electric shock, turn off the electricity at the main fuse box or circuit panel before you begin the fan installation or before servicing the fan or installing accessories.
- Read all instructions and safety information carefully before installing your fan and save these instructions.
- Make sure all electrical connections comply with local codes or ordinances and the National Electrical Code. If you are unfamiliar with electric wiring, please use a qualified and licensed electrician.
- Make sure you have a location selected for your fan that allow clear space for the blades to rotate, and at least seven (7) feet of clearance between the floor and the fan blade tips. The fan should be mounted at least thirty (30) inches from walls or other upright structures.
- WARNING:** The outlet box and ceiling support joist used must be securely mounted, and capable of supporting at least 100 pounds. To reduce the risk of fire, electric shock or personal injury, mount to the outlet box marked acceptable for fan supported and use mounting screws provided with the outlet box. The box must be supported directly by the building structure.
- WARNING:** To reduce the risk of fire, electric shock or personal injury, mount to outlet box marked "acceptable for fan support" and use mounting screws provided with the outlet box most outlet boxes commonly used for the support of lighting fixtures are not acceptable for fan support and may need to be replaced. Consult a qualified electrician if in doubt.
- Electrical diagrams are for reference only. Light kits that are not packed with the fan must UL listed and marked suitable for use with the model fan you are installing. Switches must be UL general use switches. Refer to the instructions packaged with the light kits and switches for proper assembly.
- After installation is complete, check that all connections are absolutely secure.
- After making electrical connections, spliced conductors should be turned upward and pushed carefully up into outlet box. The wires should be spread apart with the grounded conductor and the equipment-grounding conductor on one side of the outlet box.
- WARNING:** To reduce the risk of electrical shock and fire, do not use this fan with any solid-state fan speed control device, or rheostat.
- Do not separate the reverse switch until the fan has come to a complete stop.
- Do not insert anything into the fan blades while they are rotating.
- WARNING:** To reduce the risk of personal injury, do not bend the blade brackets (also referred to as "flanges") during assembly or after installation. Do not insert objects in the path of the blades.
- To avoid personal injury or damage to the fan and other items, be cautious when working around or cleaning the fan.
- Do not use water or detergent when cleaning the fan or fan blades. A dry dust cloth or lightly dampened cloth will be suitable for most cleaning.

NOTE: The important safety precautions and instructions appearing in the manual are not meant to cover all possible conditions and situations that may occur. It must be understood that common sense and caution are necessary factors in the installation and operation of this fan.

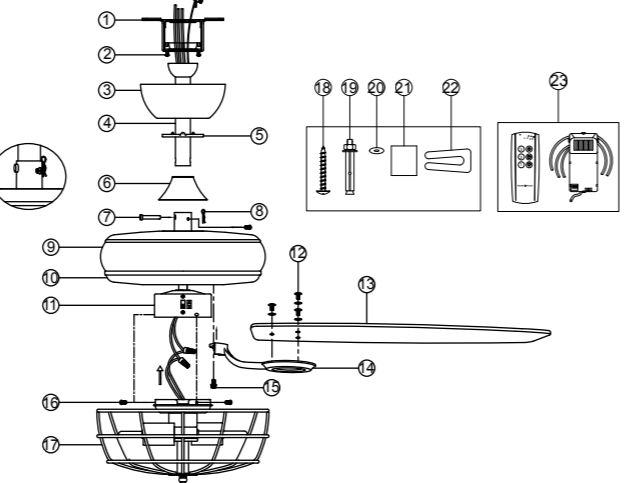
NOTE: This product is not intended for use by persons (including children) with reduced physical, sensory or mental capabilities are different or are impaired, or lack of experience or knowledge, unless such persons are supervised or trained to operate the appliance by a person responsible for their safety.

NOTE: Children should be supervised to ensure that they do not use appliances as a toy.

BEFORE INSTALLATION

SKU	Rated Voltage	Rated power(motor)	Light CCT.
F6236BK	110-120 VAC	55W	E26 2*40W(MAX.)EXCLUDE
F6236BN	110-120 VAC	55W	E26 2*40W(MAX.)EXCLUDE

BEFORE INSTALLATION
Unpack your fan and check the contents. You should have the following:



- Mounting bracket
- Mounting screws
- Canopy
- Downrod & hanger ball
- Canopy cover
- Coupling cover
- Bolt
- Lock pin
- Top housing
- Lower housing
- Fan motor assembly
- Screws for Blades
- Blades
- Blade bracket
- Screws for blade bracket
- Light kit
- Wood screws
- Expansion screws
- Screw washers
- Balancing tape
- Balancing clip
- Remote control set.

INSTALLING THE DOWNROD

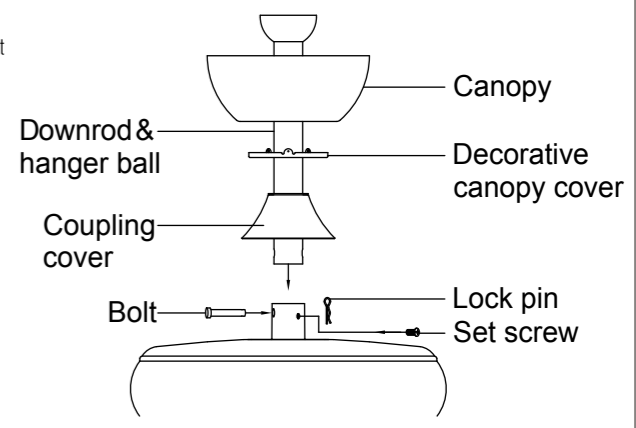
When hanging the Fan REMEMBER to turn off the power. Follow the steps below to hang your fan properly:

- Remove the bolt, lock pin and set screws from the top of the housing assembly
- Route wires exiting from the top of the fan motor through the bolt & pin, Coupling cover, decorative canopy cover, canopy and then through the ball / downrod.
- Align the holes at the bottom of the downrod with the holes in the coupling on top of the top housing.
- Carefully insert the Bolt through the holes in the Coupling and downrod. Be careful not to jam the Bolt against the wiring inside the downrod. Insert the locking pin through the hole near the end of the Bolt until it snaps into its locked position.
- Tighten two set screws on top of the fan housing firmly

Changing the Downrod (Optional)

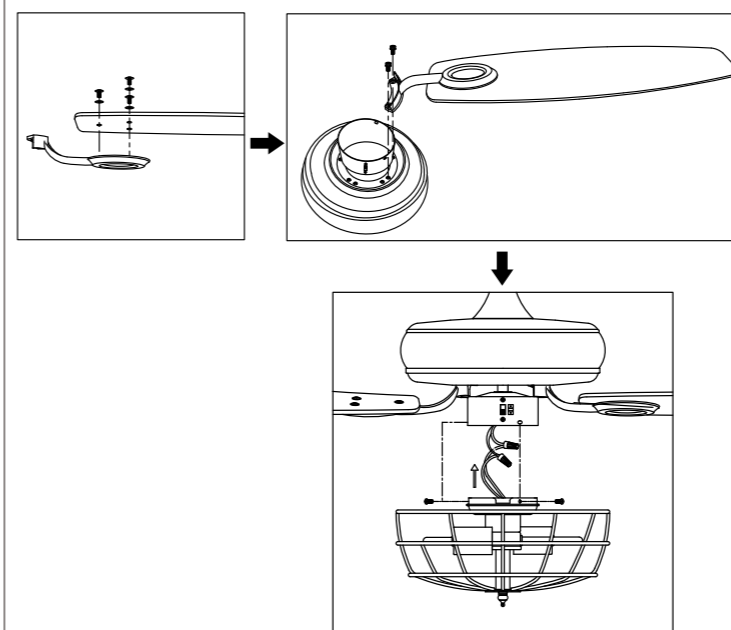
NOTE: Your fan comes with a 4"(10cm) downrod attached to the hanger ball. In addition, a 10"(25cm) downrod has been provided to be used in case the ceiling is lower. In this case, perform the following steps for correct installation:

- Remove the hanger ball from downrod by loosening the setscrew at the top of the downrod which holds the hanger ball to the downrod.
- Slide the hanger ball down the downrod and remove the support pin.
- Insert the support pin in the holes at the top of the 4"(10cm) downrod and slide the hanger ball up the 4"(10cm) downrod. Make sure the support pin is properly seated in the grooves in the top of the hanger ball.
- Tighten the set screws firmly.



INSTALLING THE LIGHT KIT AND BLADES

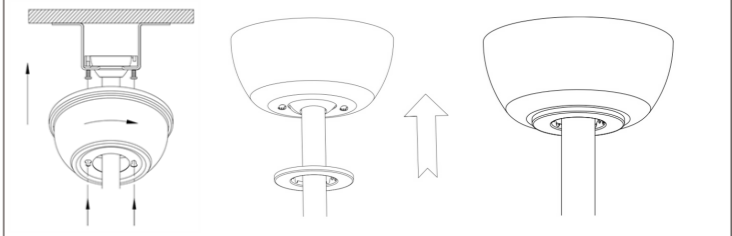
- Remove the tool Screws for Blades and Screws for blade bracket from the screw package.
- Insert blade into the slot on blade bracket. Install blade with screws and washers that were removed earlier, aligning each of the holes and tighten all screws securely. Mount the cutter Blade bracket mounted to the Fan Motor Assembly. Repeat this process for remaining blades.
- Make the electric connections. Please refer to the Section 'MAKE THE ELECTRIC CONNECTIONS'
- Install the Light kit to the junction box with by using the 3 screws preinstalled on the Screws for Light kit.



INSTALLING THE FAN TO MOUNTING BRACKET ON CEILING

WARNING: To avoid possible electrical shock, be sure electricity is turned off at the main fuse box before wiring.

- Install the hanger ball end of downrod into mounting bracket opening. Align (engage) slot on ball with tab on mounting bracket. Warning: Failure to align slot on ball with tab may result in serious injury.
- Slide the canopy up to ceiling and align the keyhole slots on the canopy with the preassembled screws on the hanger bracket. Twist clockwise until it locks. Tighten the two screws securely.
- Attach the decorative canopy cover to the bottom of the canopy by pressing it until it locks.

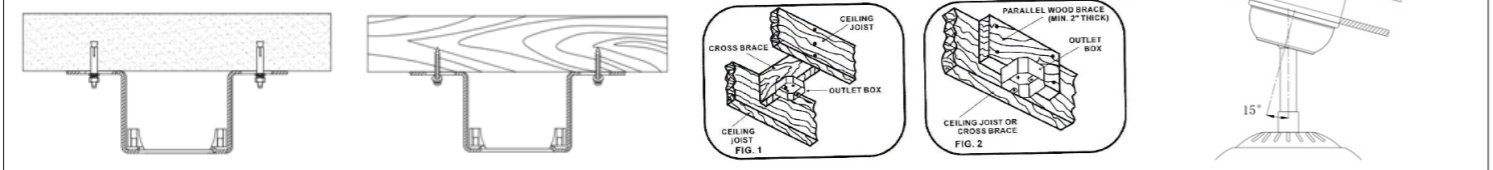


INSTALLING THE FAN

Tools Required: Phillips screwdriver, Pair of pliers, straight slot screwdriver, adjustable wrench, step ladder, and wire cutters.

INSTALLING THE MOUNTING BRACKET
The ceiling fan must be installed in a location so that the blades are 12" (300mm) spacing from the tip of the blade to the nearest objects or walls. When hanging the Fan REMEMBER to turn off the power. Follow the instruction below to hang your fan properly:

- For concrete ceiling, drill two holes in the ceiling and secure the mounting bracket to the ceiling with two $\Phi 0.32"$ (8mm) (distance between the two holes should be appropriate) expansion screws, flat washers, nuts provided and tighten with a spanner.
- For wood ceiling, install the mounting bracket to the ceiling which is capable of carrying a load of at least 100lbs(45kgs) with two long mounting screws and washers provided. Be sure at least 0.12"(30mm) of the screw is threaded into the support.
- For installing to outlet box, secure the outlet box directly to the building structure. Use appropriate fasteners and building materials. The outlet box and its support must be able to fully support the moving weight of the fan(at least 100lbs). Use a UL listed metal outlet box. Do not use a plastic outlet box. Figure 1 & 2 examples to mount the outlet box.
- Refer to the Fig. in right for mounting when the ceiling is angled max. 15 degree angle.

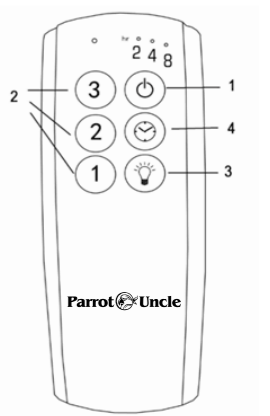


NOTE: Hanger after the installation must be able to withstand the weight of 100lbs(45kgs) or more

USING YOUR CEILING FAN

REMOTE CONTROL

- Turn on the power and check the operation of the fan
- Fan Shutdown
 - Speed Controlle
 - Lamp Switch
 - Timer (2H,4H,8H)

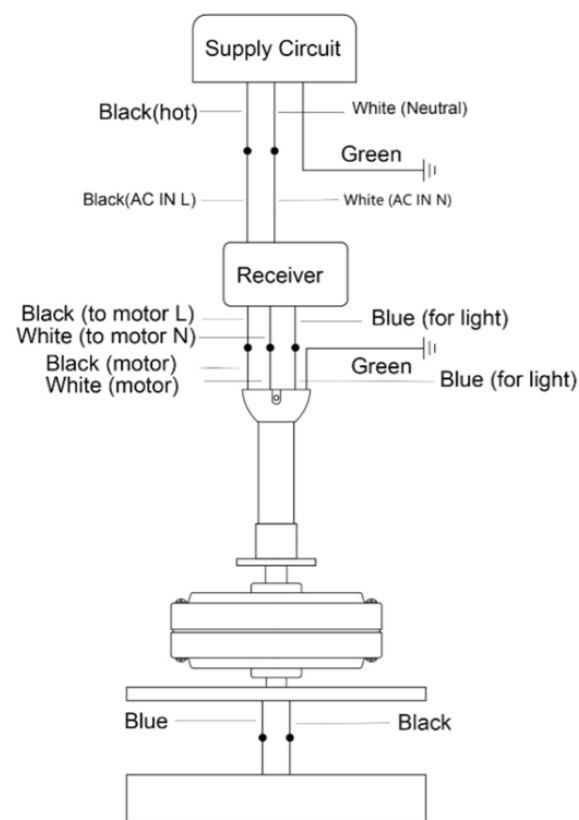


Reverse function
Slide the forward/reverse switch on the coupling to get desired airflow direction.

MAKING THE ELECTRIC CONNECTIONS

WARNING: To avoid possible electrical shock, be sure electricity is turned off at the main fuse box before wiring.

1. Insert the receiver into the mounting bracket with the flat side of the receiver facing the ceiling. Motor to Receiver Electrical Connections: Connect the Black wire from the fan to Black wire from the receiver. Connect the white wire from the fan to the white wire from the receiver. Connect the Blue wire from the fan to the Blue wire from the receiver. Secure wire connections with the wire nuts provided.
2. Receiver to House supply wires Electrical Connections: Connect the Brown(hot) wire from the ceiling to the Brown wire from the receiver. Connect the Blue(neutral) wire from the ceiling to the Blue wire from the Receiver. Secure the wire connections with the wire nuts provided.
3. Light kit to motor wires Electrical Connections: Connect the two wires from LED module to the black and blue wires from fan



AFTER INSTALLATION

WOBBLE"

The fan blades have been adjusted in the factory to minimize any wobble
NOTE: CEILING FANS TEND TO MOVE DURING OPERATION DUE TO THE FACT THAT THEY ARE MOUNTED ON A RUBBER CROMMET. IF THE FAN WAS MOUNTED RIGIDLY TO THE CEILING, IT WOULD CAUSE EXCESS VIBRATION. MOVEMENT OF A FEW CENTIMETERS IS QUITE ACCEPTABLE AND DOES NOT SUGGEST ANY PROBLEM

TO REDUCE THE FAN WOBBLE: PLEASE CHECK THAT ALL SCREWS WHICH SECURED THE MOUNTING BRACKET AND DOWNROD ARE SECURE.

BALANCING A WOBBLING CEILING FAN:

For your convenience, a Balancing Kit is included; please follow this procedure when balancing the fan:

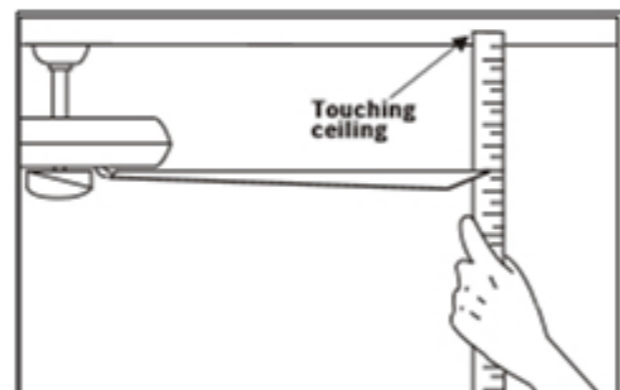
1. Check that all blade and blade arm screws are secure.
 2. Most fan wobbling problems are caused when blade levels are unequal. Check this level by selecting a point on the ceiling above the tip of one of the blades. Measure this distance. Rotate the fan until the next blade is positioned for measurement. Repeat for each blade. The distance deviation should be equal within 1/8"(0.32cm).
 3. Use the enclosed Blade Balancing Kit if the blade wobble is still noticeable.
 4. If the blade wobble is still noticeable, interchanging two adjacent (side by side) blades can redistribute the weight and possibly result in smoother operation.
- WARNING: TO REDUCE THE RISK OF PERSONAL INJURY, DO NOT BEND THE BLADE ARM WHILE INSTALLING, BALANCING THE BLADES, OR CLEANING THE FAN. DO NOT INSERT FOREIGN OBJECTS BETWEEN ROTATING FAN BLADES.**

NOISE

When it is quiet (especially at night) you may hear occasional small noises. This is normal. Please allow a 24-hour "breaking-in" period, most noises associated with a new fan disappear during the time.

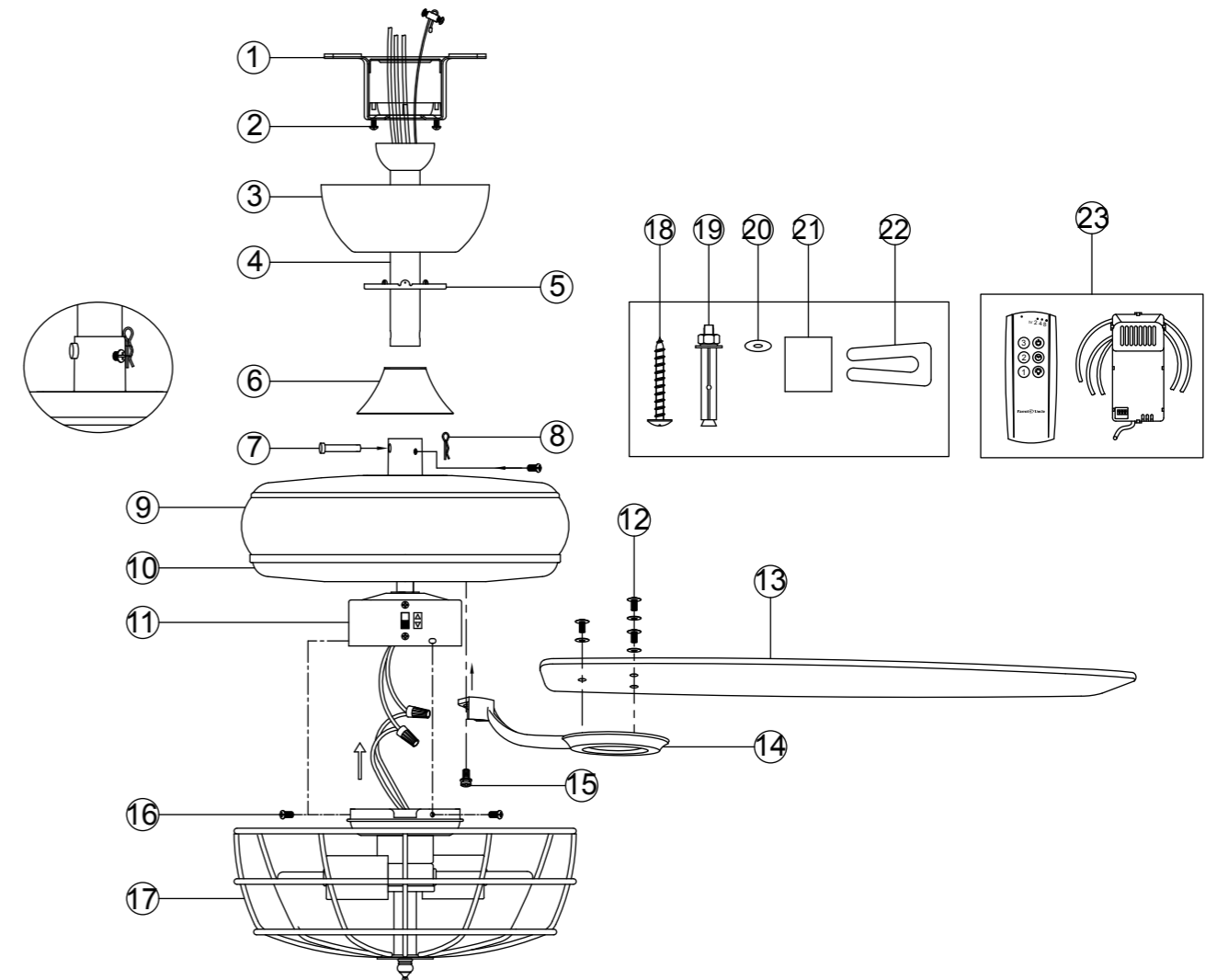
CARE AND CLEANING

1. Periodic cleaning of your ceiling fan is the only maintenance required. Use a soft brush or lint free cloth to avoid scratching the paint finish. Please make sure to turn off electricity power before you clean your fan
 2. Do not use water when cleaning your ceiling fan. It could damage the motor or the blades and create the possibility of an electrical shock.
 3. Motor has permanently lubricated ball bearing. No need to oil
- NOTE: MAKE SURE THE POWER IS OFF AT THE ELECTRICAL PANEL BOX BEFORE YOU ATTEMPT ANY CLEANING OR REPAIRS.



BEFORE INSTALLATION

Unpack your fan and check the contents. You should have the followings:



- | | | |
|--------------------------|------------------------------|-------------------------|
| 1. Mounting bracket | 9. Top housing | 17. Light kit |
| 2. Mounting screws | 10. Lower housing | 18. Wood screws |
| 3. Canopy | 11. Fan motor assembly | 19. Expansion screws |
| 4. Downrod & hanger ball | 12. Screws for blades | 20. Screw washers |
| 5. Canopy cover | 13. Blades | 21. Balancing tape |
| 6. Coupling cover | 14. Blade bracket | 22. Balancing clip |
| 7. Bolt | 15. Screws for blade bracket | 23. Remote control set. |
| 8. Lock pin | 16. Screws for light kit | |