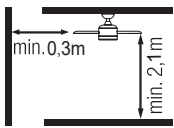


Need more help, please visit <https://faq.parrotuncle.com> or scan this QR code to watch the video

## Safety Information

- 1、 To reduce the risk of electric shock, the electricity has been turned off at the circuit breaker or fuse box before begin.
- 2、 All wiring must be in accordance with the National Electrical Code NASI/NFPA 70-1999 and local electrical codes. Electrical installation should be performed by a qualified licensed electrician.
- 3、 The outlet box and support structure must be securely mounted and capable of reliably supporting 35lb.(15.9kg).Use only UL listed outlet boxes marked "Acceptable for Fan Support of 35lbs(15.9kg)or less."
- 4、 The fan must be installed to ensure that the blades are at least 2.1 m above the ground. Make sure that there is a space of at least 30 cm between the fan's blades and any wall or other obstacle with which they could collide. It is important to note that the greater the distance, the more efficient the airflow would be.



- 5、 Do not operate the reversing switch while the fan blades are in motion. You must turn the fan off and stop the blades before you reverse the blade direction.
- 6、 Do not place objects in the path of the blades.
- 7、 To avoid personal injury or damage to the fan and other items, please be careful when working around or cleaning the fan.
- 8、 Electrical diagrams are for reference only. Light kits that are not packed with the fan must be UL-listed and marked suitable for use with the model fan you are installing. Switches must be UL General Use Switches. Refer to the instructions packaged with the light kits and switches for proper assembly.
- 9、 After making electrical connections , spliced conductors should be turned upward and pushed carefully up into the outlet box.The wires should be spread apart with the grounded conductor and the equipment-grounding conductor on one side of the outlet box.
- 10、 All setscrews must be checked and retightened where necessary before installation.



**WARNING:**TO reduce the risk of personal injury, do not bend the blade brackets (also referred to as flanges) during assembly or after installation.Do not insert objects in the path of the blades .



**WARNING:** Remove the rubber motor stops on the bottom of the fan before installing the blades or testing the motor.



**WARNING:** To reduce the risk of fire or electric shock,do not use this fan with any solid-state speed control device.



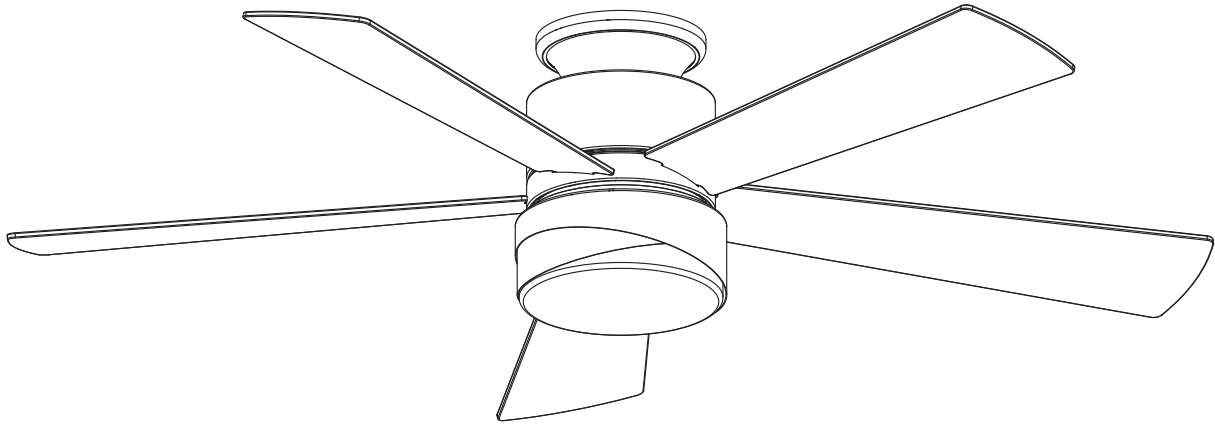
**WARNING:**To avoid possible electric shock, turn the electricity off at the main fuse box before wiring.If you feel you do not have enough electrical wiring knowledge or experience,contact a licensed electrician.



**WARNING:** Electrical diagrams are for reference only. Optional use of any light kit shall be UL-listed and marked suitable for use with this fan.



**WARNING:** To reduce the risk of fire, electric shock, or personal injury, mount to outlet box marked "Acceptable for fan support of 35 lbs.(15.9 kg)or less " and use the screws provided with the outlet box.



### THANK YOU FOR YOUR PURCHASE

Thank you for purchasing this quality product. To ensure correct function and safety, please read and save all instructions before using the product

#### SAFETY TIP

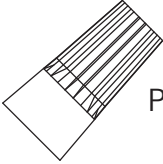
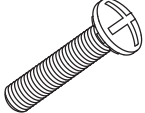
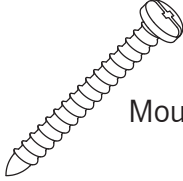
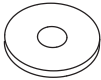

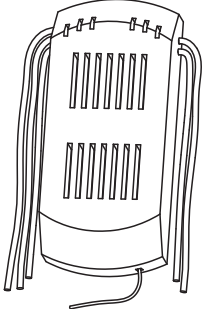
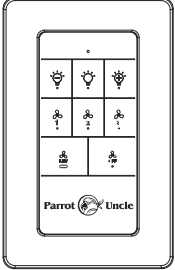


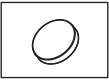


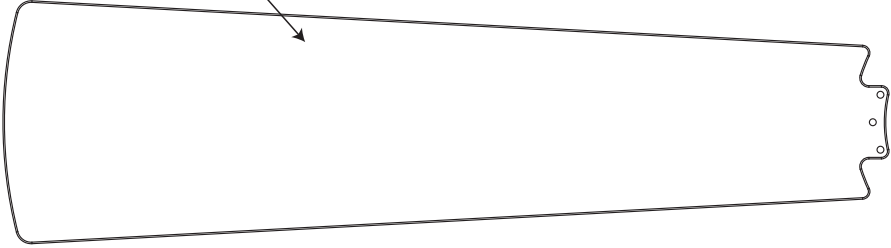
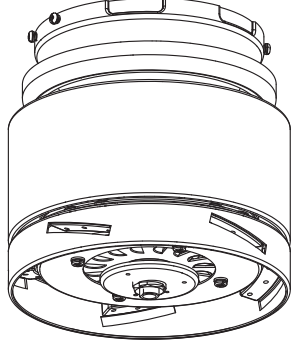
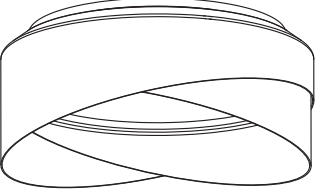
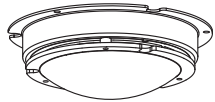
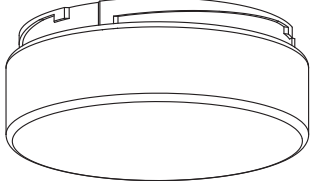
1. To avoid possible electric shock, turn ON the electricity at the main fuse box or circuit panel before you begin the fan installation or before servicing the fan or installing accessories.
2. Read all instructions and safety information carefully before installing your fan and save these instructions.
3. Make sure all electrical connections comply with local codes or ordinances and the National Electrical Code. If you are unfamiliar with electric wiring, please use a qualified and licensed electrician.
4. Make sure you have a location selected for your fan that allow clear space for the blades to rotate, and at least seven (7) feet of clearance between the floor and the fan blade tips. The fan should be mounted at least thirty (30) inches from walls or other upright structures.
5. **WARNING:** The outlet box and ceiling support joist used must be securely mounted, and capable of supporting at least 100 pounds. To reduce the risk of fire, electric shock or personal injury, mount to the outlet box marked acceptable for fan supported and use mounting screws provided with the outlet box. The box must be supported directly by the building structure.
6. **WARNING:** To reduce the risk of fire, electric shock or personal injury, mount to outlet box marked "acceptable for fan support" and use mounting screws provided with the outlet box most outlet boxes commonly used for the support of lighting fixtures are not acceptable for fan support and may need to be replaced. Consult a qualified electrician if in doubt.
7. Electrical diagrams are for reference only. Light kits that are not packed with the fan must UL listed and marked suitable for use with the model fan you are installing. Switches must be UL general use switches. Refer to the instructions packaged with the light kits and switches for proper assembly.
8. After installation is complete, check that all connections are absolutely secure.
9. After making electrical connections, spliced conductors should be turned upward and pushed carefully up into outlet box. The wires should be spread apart with the grounded conductor and the equipment-grounding conductor on one side of the outlet box.
10. **WARNING:** To reduce the risk of electrical shock and fire, do not use this fan with any solid-state fan speed control device, or rheostat.
11. Do not separate the reverse switch until the fan has come to a complete stop.
12. Do not insert anything into the fan blades while they are rotating.
13. **WARNING:** To reduce the risk of personal injury, do not bend the blade brackets (also referred to as "flanges") during assembly or after installation. Do not insert objects in the path of the blades.
14. To avoid personal injury or damage to the fan and other items, be cautious when working around or cleaning the fan.
15. Do not use water or detergent when cleaning the fan or fan blades. A dry dust cloth or lightly dampened cloth will be suitable for most cleaning.

**NOTE:** The important safety precautions and instructions appearing in the manual are not meant to cover all possible conditions and situations that may occur. It must be understood that common sense and caution are necessary factors in the installation and operation of this fan.

**NOTE:** This product is not intended for use by persons (including children) with reduced physical, sensory or mental capabilities are different or are impaired, or lack of experience or knowledge, unless such persons are supervised or trained to operate the appliance by a person responsible for their safety.

**NOTE:** Children should be supervised to ensure that they do not use appliances as a toy.

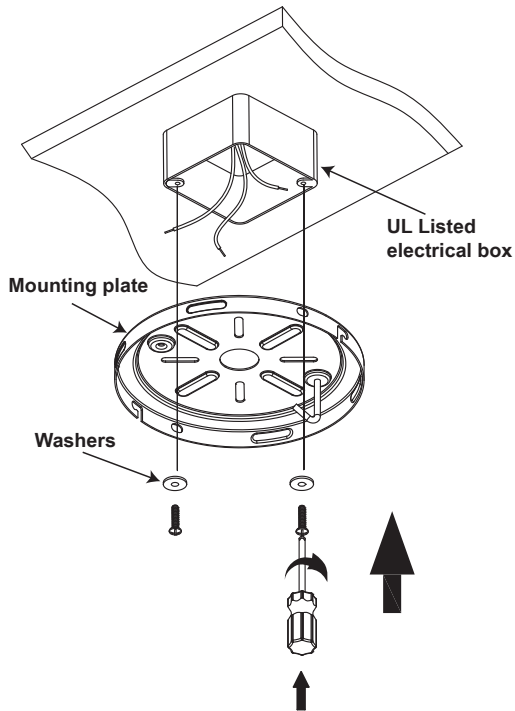
**WARNING: SHUT POWER OFF AT FUSE OR CIRCUIT BREAKER**

 Plastic wire nut (4PCS)   Screws (2PCS)	 Mounting screws (2PCS)   Washer (2PCS)	 Blade screw (16PCS)
  REMOTE CONTROL ( 1PC )	 x 2  x 2   x6	 Ceiling Plate
 Blade (5PCS)	 motor assembly   Switch Housing   Light kit   Shade	

**Pls check whether above accessories are completed or not?Yes,and install.**

**WARNING: SHUT POWER OFF AT FUSE OR CIRCUIT BREAKER**

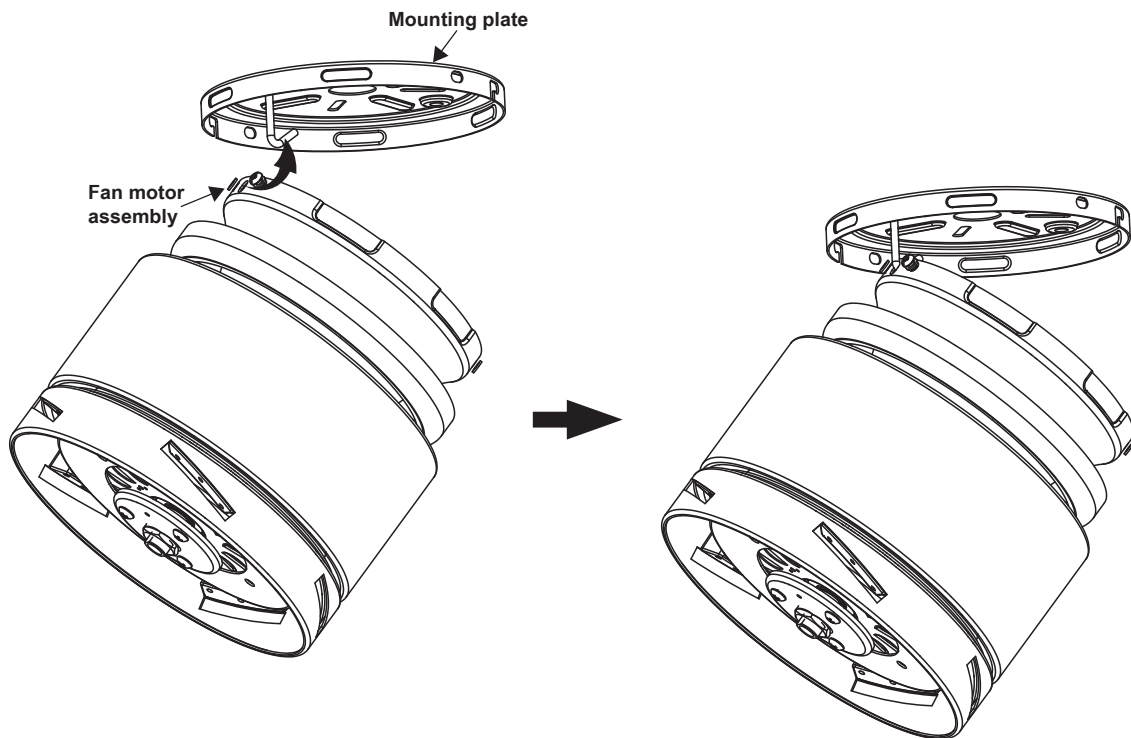
**1**



Check existing outlet box (not included) to ensure it is securely fastened to at least two points in a structural ceiling member and can support the full weight of the fan. Once verified, install ceiling plate to the outlet box using the screws and washers provided.

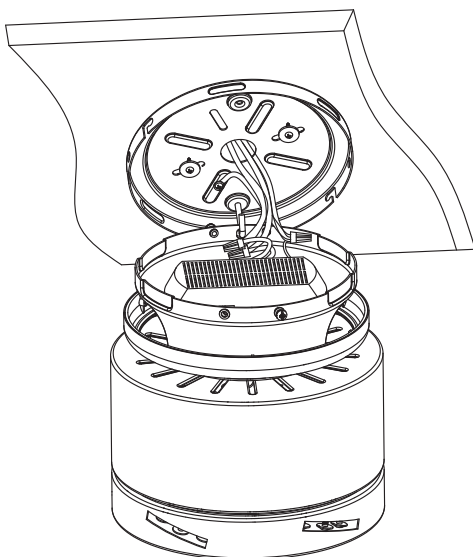
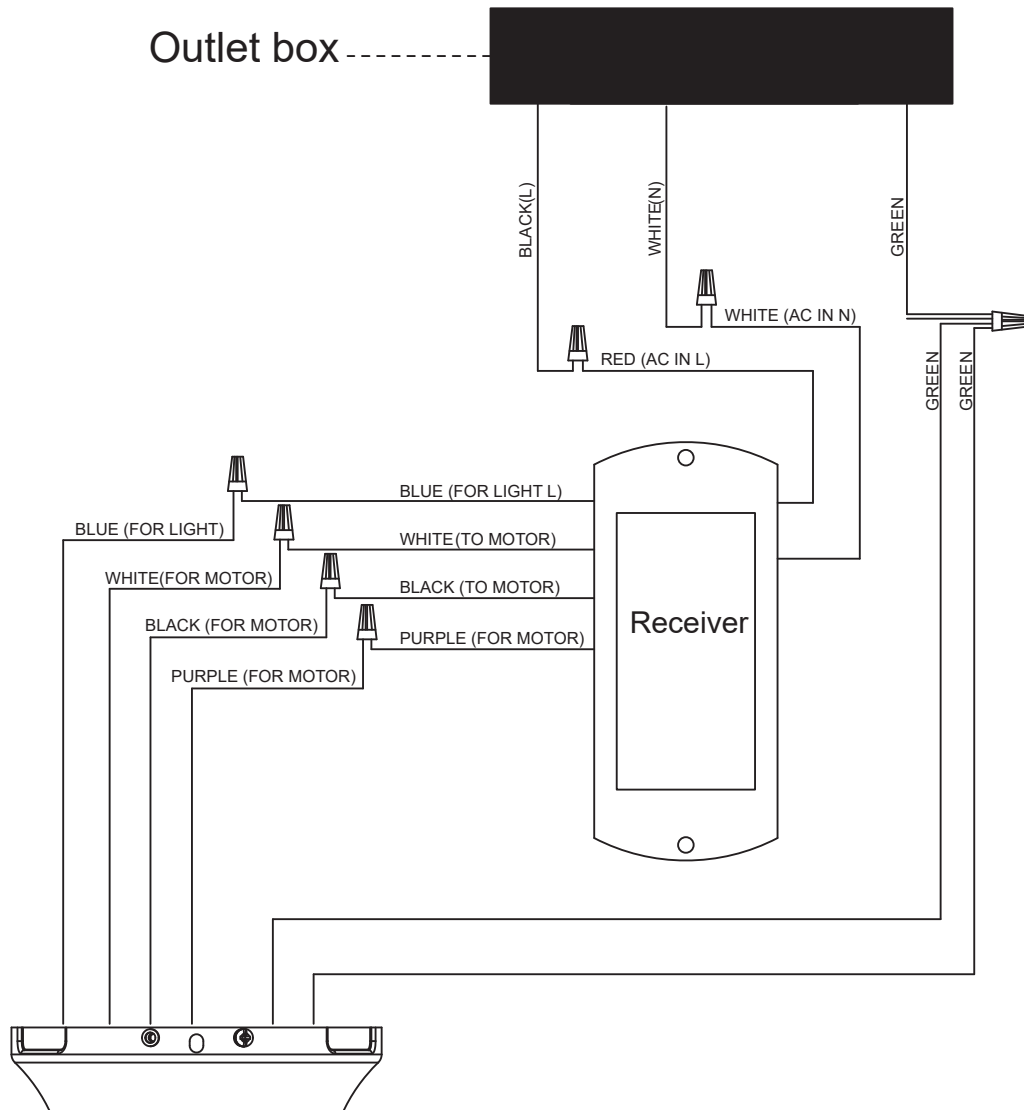
**DANGER:** A loose outlet box can cause the fan to wobble and increase the fan's potential to fall, which could result in serious injury or death.

**2**



Hang the motor assembly from the ceiling bracket assembly using the hook on the ceiling bracket assembly and the cable loop from the motor assembly as shown.

**WARNING: SHUT POWER OFF AT FUSE OR CIRCUIT BREAKER**



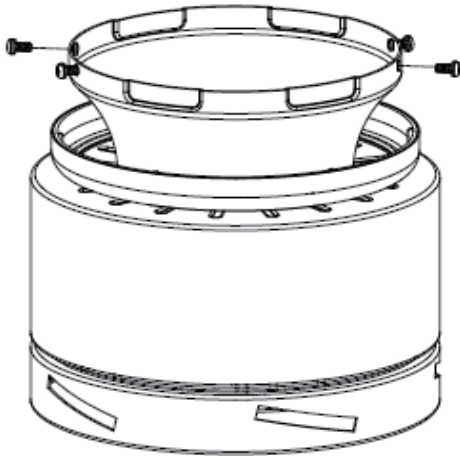
After connections have been made, put the white and green leads to one side and the black leads towards the other side, the connection should be turned upward and carefully push leads into the outlet box.

The wires should be spread apart with the grounded conductor and the equipment-grounding conductor on one side of the outlet box and the ungrounded conductor on the other side.

**LIGHT MUST BE KEPT AT THE ON POSITION**

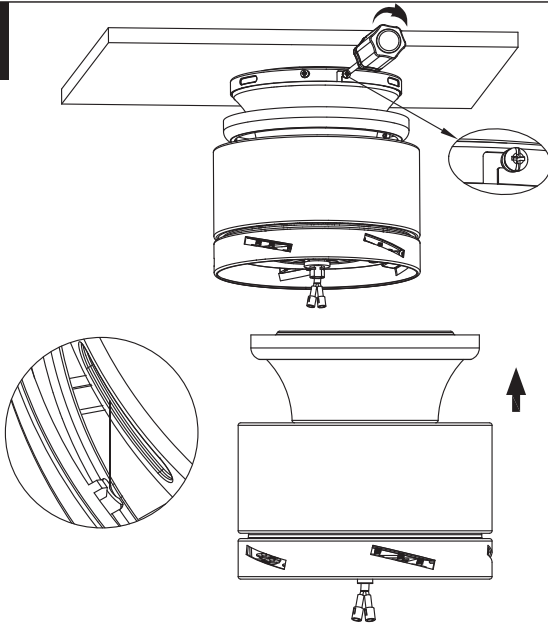
**FAN MUST BE KEPT AT THE HIGH SPEED**

**3**



Remove and retain two opposing screws from the motor assembly, then loosen the remaining two screws.

**4**



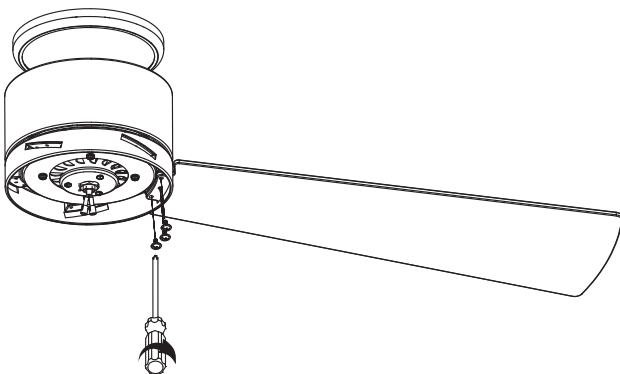
Hang the motor assembly as shown.

Make sure the electrical supply wires, including the ceiling bracket grounding wire is pulled through the center hole of ceiling bracket, between the ceiling bracket and the motor assembly so that electrical connections can be made later.

Assemble the motor assemble to ceiling bracket using the previously removed screws and securely tighten all screws.

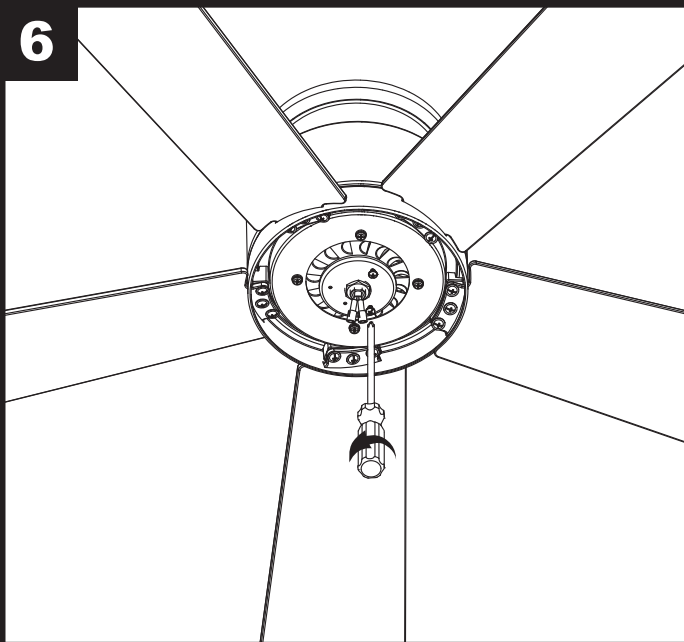
Push the canopy trim ring up to conceal the screws, such that the mounting tabs seat into the dimpled grooves in the ceiling bracket midway between the screws.

**5**



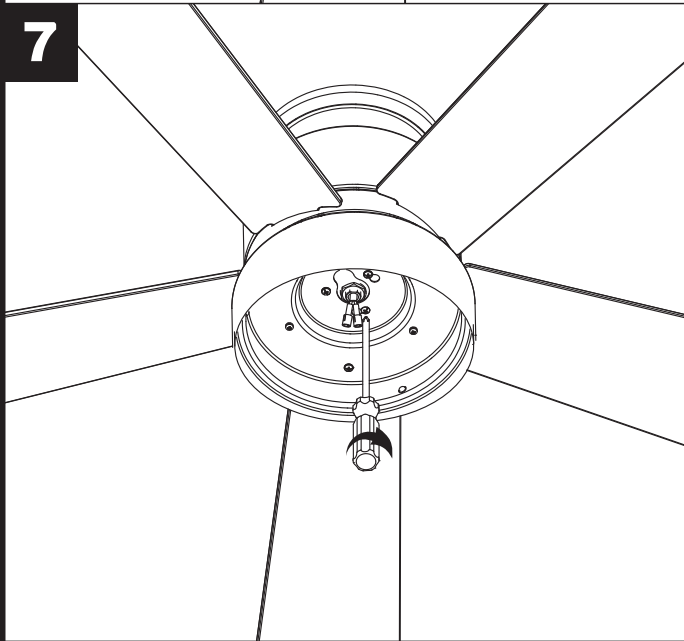
Slide blades through slots in motor housing and attach to the motor hub using the blade screws. Make sure the screws securing the blades to the motor hub are tight and are properly seated.

6



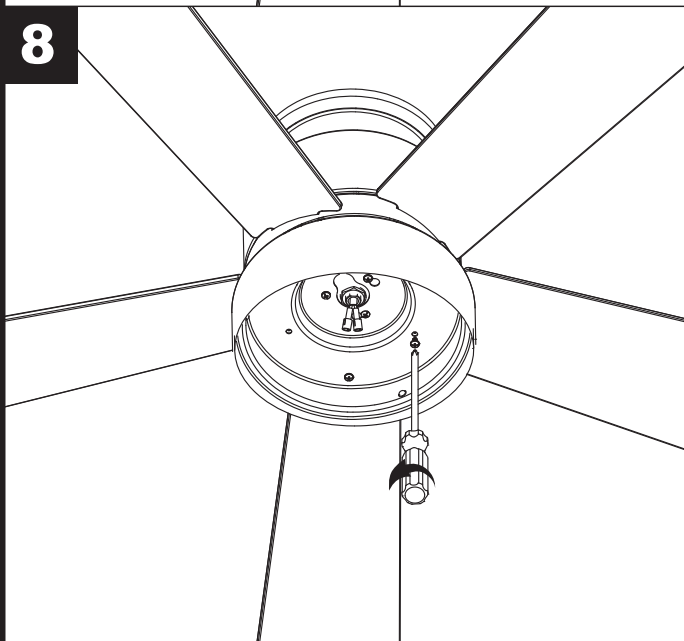
Remove one of the three screws in the support bracket at the bottom of the motor assembly. Retain the screw for later and slightly loosen the remaining two screws.

7



Assemble the switch housing assembly to the support bracket using the two key slots in the switch housing assembly. Replace the previously removed screw and securely tighten all three screws.

8

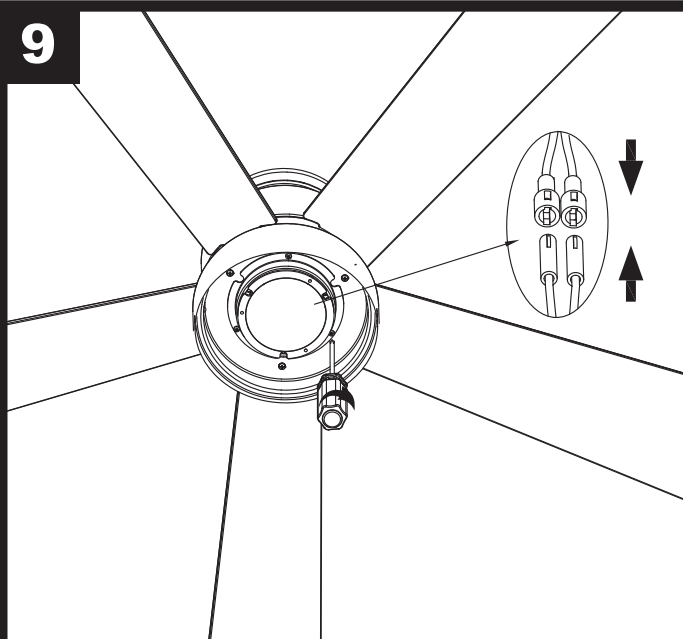


Remove one of the three screws in the switch housing assembly. Retain the screw for later and slightly loosen the remaining two screws.



**WARNING: SHUT POWER OFF AT FUSE OR CIRCUIT BREAKER**

9

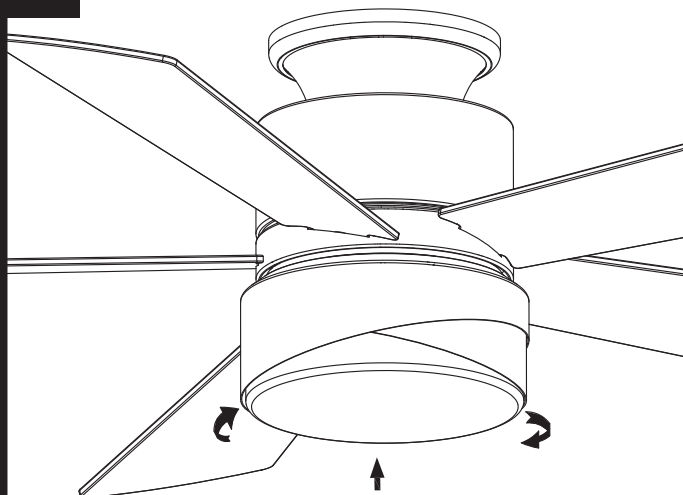


Connect the 2 single pin connectors from the light kit to the 2 single pin connectors from motor assembly.

Assemble the light kit to the switch housing assembly using the two key slots.

Replace the removed screw and secure all three screws.

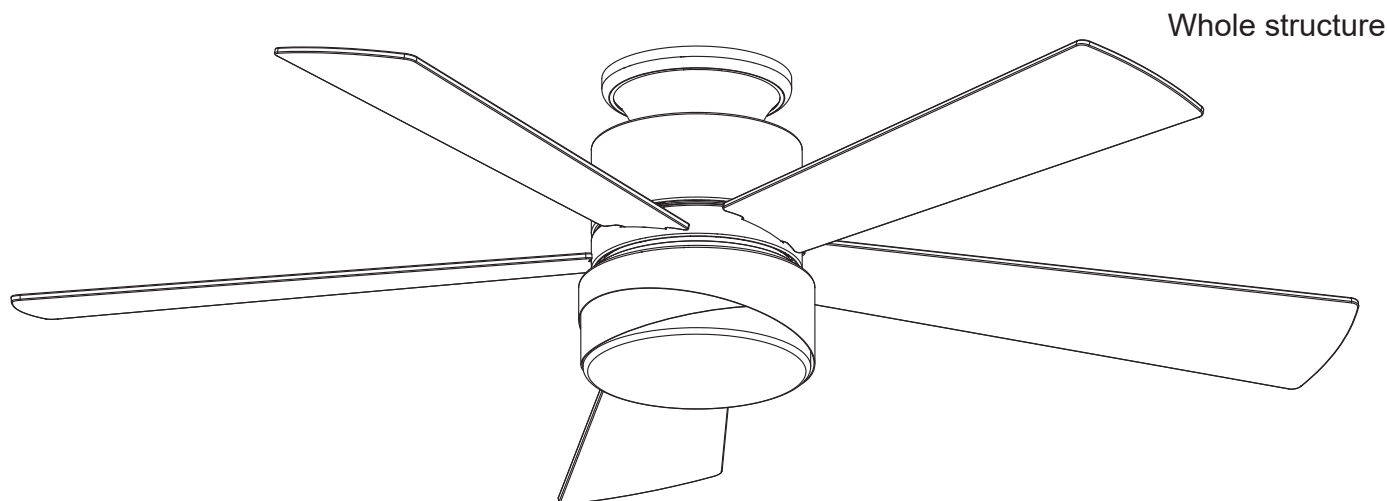
10



Secure the shade to the switch housing assembly by twisting in a clockwise direction.

Twist the shade gradually until it snaps onto the switch housing assembly.

Do not over-tighten.



Whole structure

### APP Control Connection

1. First search and download the free ParrotUncle Smart app from the App Store or Google Play or scan the QR Code as below.
2. Open the ParrotUncle Smart app to create your account.  
The account with "ParrotUncle Smart" can be registered through E-mail or Mobile phone.
3. Connect the device to the ParrotUncle Smart app (WIFI&Bluetooth on):
  - a. Press "+" button into the device list.
  - b. Tap "Auto Scan" on the top.
  - c. Wait for the device comes out and tap "Next".
  - d. Press "+" button to add device.
  - e. Connect to your home WIFI.
  - f. Wait for connecting.
4. Connect the device to the Alexa:
  - a. Make sure you have connected the device to the app and working normally.
  - b. Open Alexa app, go to the skill to search "ParrotUncle Smart" skill.
  - c. Link the skill, log in with your ParrotUncle Smart account and password, then authorize and connect with ParrotUncle Smart app.
  - d. Then the Alexa will find out the device automatically.
5. Connect the device to the Google Home:
  - a. Make sure you have connected the device to the app and working normally.
  - b. Open Google Home app, Set up a device, choose "Works with Google".
  - c. Search "ParrotUncle Smart", log in with your ParrotUncle Smart app account and password, then authorize and connect with ParrotUncle Smart app.
  - d. Then the Google Assistant will find out the device automatically.



#### How to reset network settings in ceiling fan:

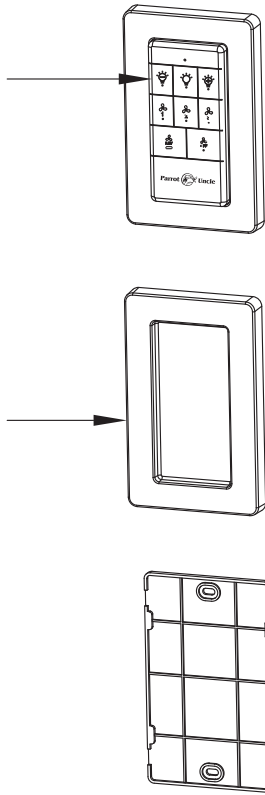
- a. Powered off the fan
- b. Powered on the fan, press and hold the off button on the remote within 30 seconds
- c. The flash of the light indicates that the reset network settings is successful
- d. Now you can use the app to re-connect the device

Need more help, please visit <https://faq.parrotuncle.com> or scan this QR code to watch the video

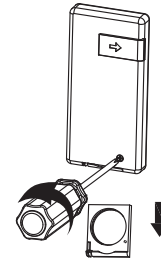


**WARNING: SHUT POWER OFF AT FUSE OR CIRCUIT BREAKER**

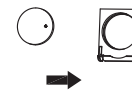
1



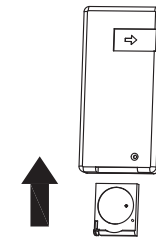
4



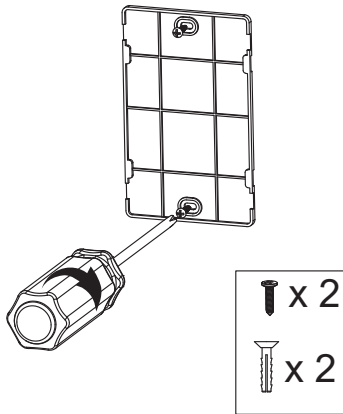
5



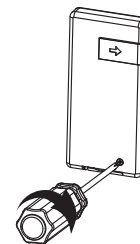
6



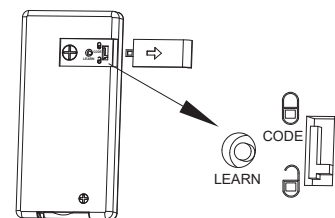
2



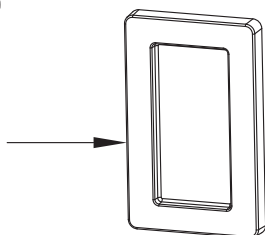
7



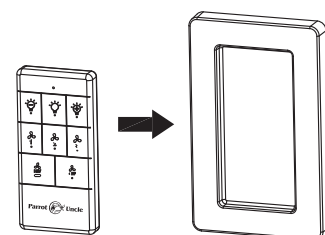
8



3



9



## Remote controller

### INSTRUCTION OF INSTALLATION AND OPERATION

#### 1. INSTALLING RECEIVER IN CEILING FAN

##### A. Safety precautions:

**WARNING: HIGH VOLTAGE!** Disconnect power by removing fuse or switching off circuit breaker.

Do not use with solid state fans.

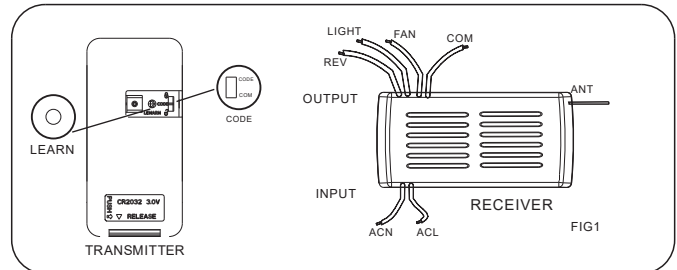
Electrical wire must meet all local and national electrical code requirements.

Supply for fan must be 110/120 volt, 60Hz. Maximum fan motor amps: 1.0, Maximum light watts: 180 incandescent or ballast and LED.

Otherwise power can cause serious injury or death.

##### B. Installing receiver in fan:

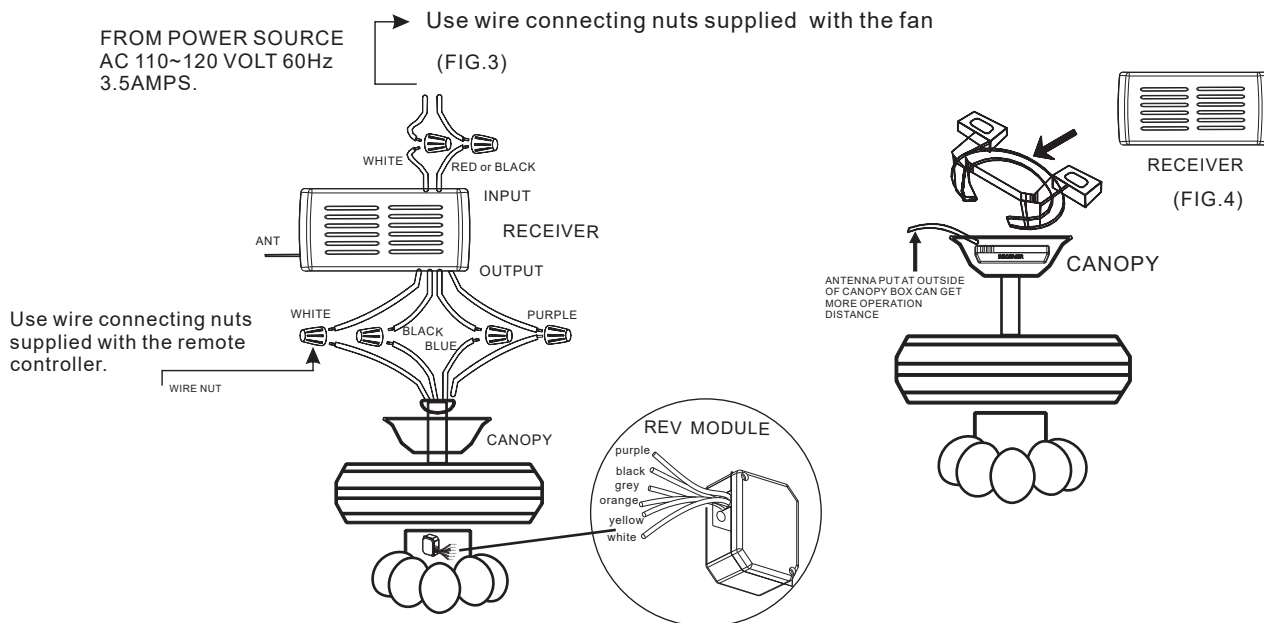
- Remove power from the circuit.
- Remove ceiling fan canopy from the mounting bracket.
- Disconnect existing wiring between ceiling fan and Supply in electrical junction box.
- Make connections as follows, using the wire nuts supplied:



**CAUTION:** Ceiling Angle Shall Not Exceed 30 Degrees,  
For Mounting Controller, Model RE-028W

#### CONNECT TO

Green fan wire ....Bare supply wire  
Red or Black receiver wire(AC IN L) ....Red or Black supply wire  
White receiver wire(AC IN N) ....White supply wire  
White receiver wire(TO MOTOR N) ....White fan wire  
Black receiver wire(TO MOTOR L) ....Black fan wire  
Blue receiver wire(FOR LIGHT) ....Blue light wire  
Purple receiver wire(FOR REV) ....Purple rev wire



If other fans or supply wires are different color, have this unit installed by qualified licensed electrician.

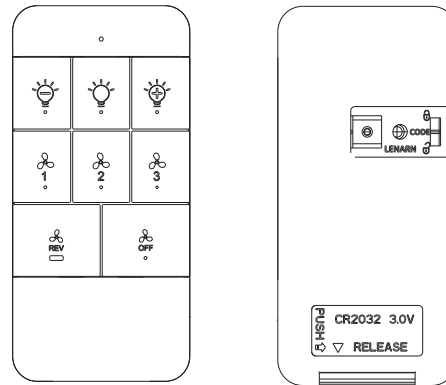
- Push all connected wires up into junction box.
- Lay the brown antenna wire on top of the receiver, and put the receiver into the mounting bracket.
- Reinstall the canopy on the mounting bracket.
- Restore power.
- Install 3 volt battery(not included). (To prevent damage to transmitter, remove the battery if not used for a long time).
- Store the transmitter away from excessive heat or humidity.
- This remote control unit is equipped with roll code combinations. In order to prevent possible interference from or to other remote units such as garage door openers, car alarm or security system. If you find that your fan and light kit go on and off without using your remote control, simply change the code combination in your transmitter and receiver

**WARNING: SHUT POWER OFF AT FUSE OR CIRCUIT BREAKER**

### 2. OPERATING TRANSMITTER:

- Operating the buttons on the panel of the transmitter.
- 3 key -for fan high speed.
  - 2 key -for fan medium speed.
  - 1 key -for fan low speed.
  - OFF key -for fan off.
  - REV key -for fan rev.
  - LIGHT key -for light on and off.
  - LIGHT+ key -for light dimmer +.
  - LIGHT- key -for light dimmer -.

MODEL:  
RE-021

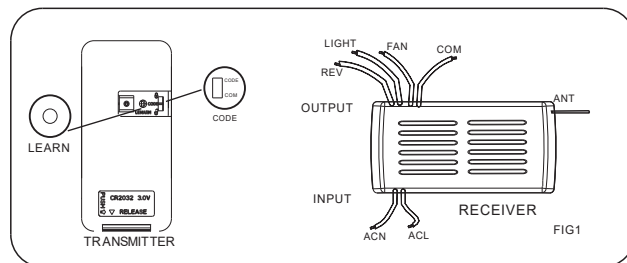


OPERATION DISTANCE 20 FEET

**YOUR REMOTE NOW HAS FULL CONTROL OF THE FAN AND LIGHT.**

### 3. TROUBLE SHOOTING GUIDE

- a. Power to receiver ?
- b. Receiver wired correctly ?
- c. Fan manual speed control in highest position ?
- d. Light kit switch turned on ?
- e. Good battery in the transmitter ?



If there are two or more ceiling fans installed in the same house, in order to prevent your ceiling fans from being affected by the remote control of the adjacent ceiling fans, first turn the switch in each remote control transmitter to the CODE(locked) position (see the schematic diagram FIG1) Remarks: The standard state of the transmitter is in the common code COM.

(Power-off means you need to use a wall switch to shut down the power of the ceiling fan, if you do not have a wall switch, please power off the whole room from the air circuit-breaker for each room)

After installing the remote control receiver on the ceiling fan

1: Turn on the power of the 1# ceiling fan receiver (the power of the 2# receiver is kept in a power-off state), within 30 seconds after the fan power is turned on, press the LEARN button corresponding to the 1# transmitter, then The receiver will learn the transmitter code. When the transmitter code is learned successfully, the light of the ceiling fans will flash twice, and then it can be used normally.

2: Turn on the power of the 2# ceiling fan receiver (the power of the 1# receiver is kept in the power-off state), within 30 seconds after the fan power is turned on, press the LEARN button corresponding to the 2# transmitter, then The receiver will learn the transmitter code. When the transmitter code is learned successfully, the light of the ceiling fans will flash twice, and then it can be used normally.

And so on, only one ceiling fan is powered on each time the corresponding transmitter learns.

#### FCC Statement:

1. This device complies with Part 15 of the FCC Rules. Operation is subject to the following two conditions:

- (1) This device may not cause harmful interference.
- (2) This device must accept any interference received, including interference that may cause undesired operation.

2. Changes or modifications not expressly approved by the party responsible for compliance could void the user's authority to operate the equipment.

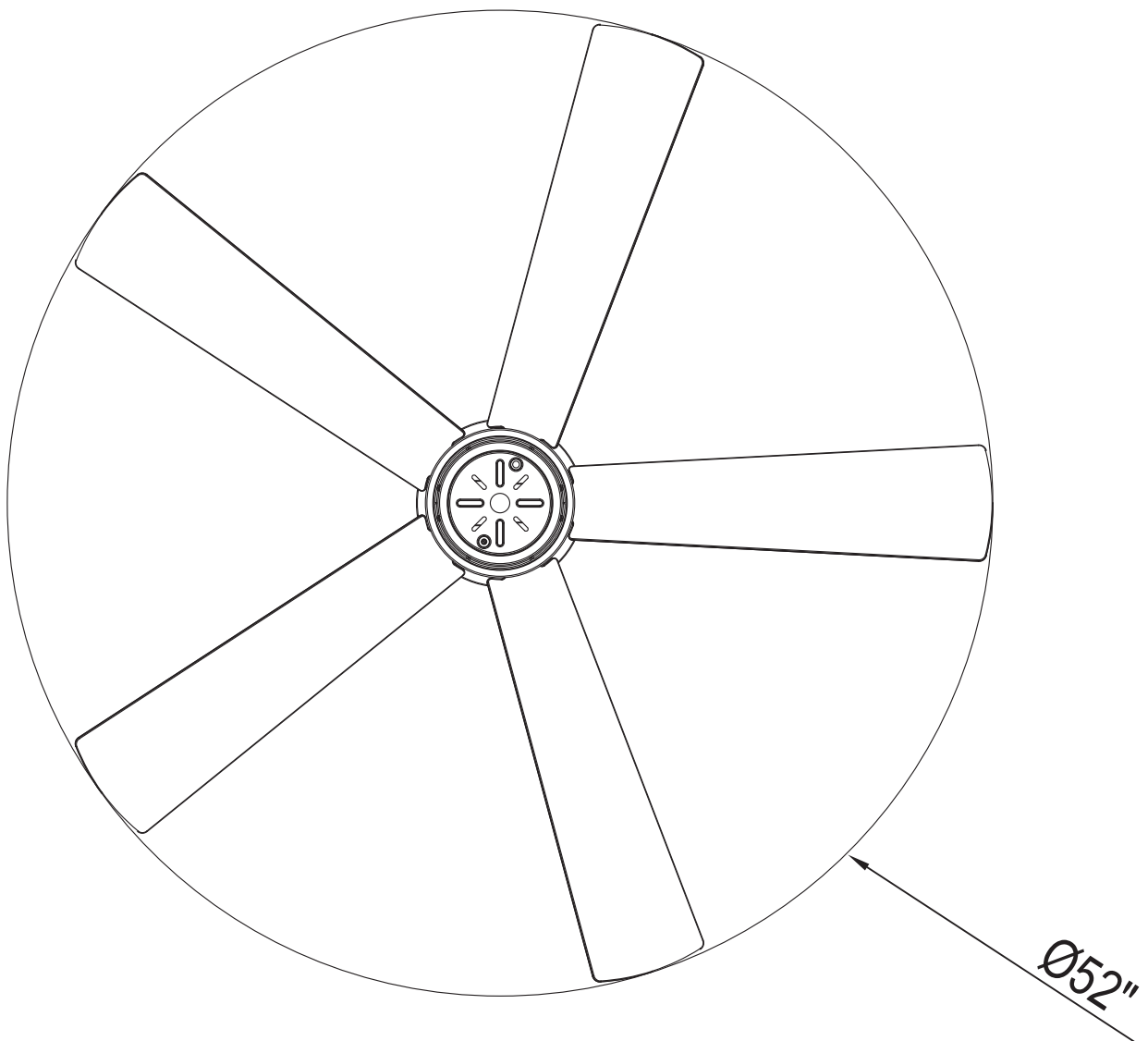
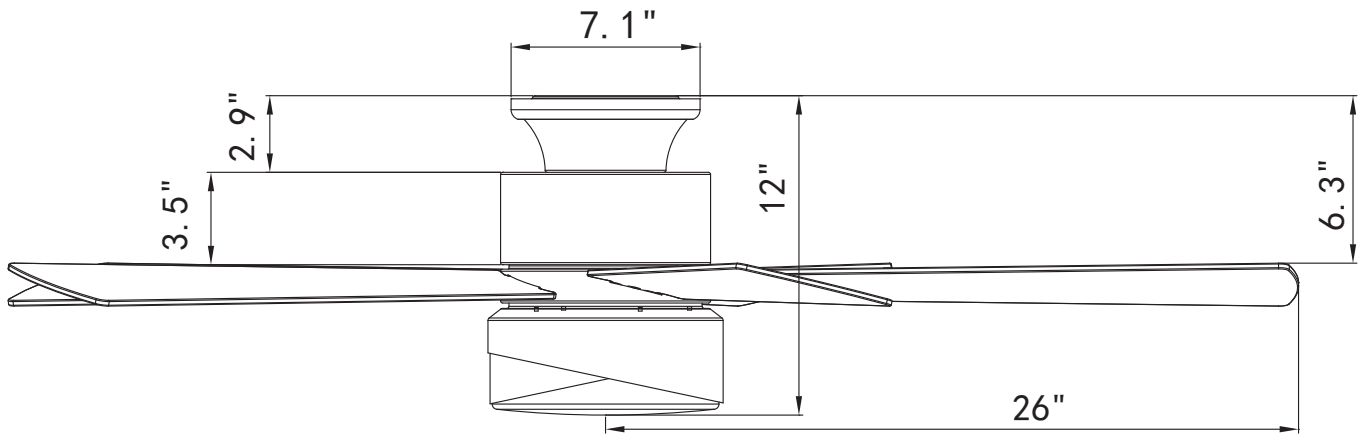
NOTE: This equipment has been tested and found to comply with the limits for a Class B digital, pursuant to Part 15 or the FCC Rules. These limits are designed to provide reasonable protection against harmful interference in a residential installation. This equipment generates, uses and can radiate radio frequency energy and, if not installed and used in accordance with the instructions, may casue harmful interference to radio communications, However, there is no guarantee that interference will not occur in a particular installation. If the equipment does cause harmful interference to radio or television reception, which can be determined by turning the equipment off and on, the user is encouraged to try to correct the interference by one or more of the following measures:

- Reorient or relocate the receiving antenna.
- Increase the separation between the equipment and receiver.
- Connect the equipment into an outlet on a circuit different from that to which the receiver is connected.
- Consult the dealer or an experienced radio/ TV technician for help.

#### WARNING

TO REDUCE THE RISK OF SHOCK, THIS FAN MUST BE INSTALLED WITH A WALL CONTROL/SWITCH.

### SIZE OF PRODUCT



# TROUBLESHOOTING GUIDE

## Table of Contents

1. Fan / Remote is not working
2. Fan is noisy
3. Fan Wobbles
4. Light is not working

*Please refer to the instruction sheet for detailed directions and descriptions of installation steps and requirements.*

## 1. FAN / REMOTE IS NOT WORKING

Ensure the remote is within the 20 foot range of the receiver

To reset the remote control: 1) Turn off power to fan using the wall switch or circuit breaker. 2) Remove batteries from remote. 3) Wait 10 seconds. 4) Replace batteries and turn power on

Check batteries to insure they are good and oriented correctly

Check to make sure the frequency switches (DIP Switches) from the remote to the receiver are set to the same frequency

Check the main and branch circuit fuses or breakers

If using a Variable Speed Wall Switch, ensure it is specifically designed for use with a ceiling fan.

Check the line wire connections to the fan and the switch wire connections in the switch housing per the instructions

If fan still does not work, please contact Customer Service [Support@parrotuncle.com](mailto:Support@parrotuncle.com)

## 2. THE FAN IS NOISY

Make sure all motor housing screws are tightened

Make sure the screws that attach fan blade to motor are tight

Make sure the wire nut connectors are not rattling against each other or the interior wall of the switch housing

Allow 24-hour break in period. Most noises associated with the new fan may disappear during this time

If using a ceiling light kit, make sure the glassware is secured tightly

Make sure there is a short distance/gap from the ceiling to the top of the canopy. The canopy should not touch the ceiling!

Make sure your ceiling box is secure and that the rubber isolator pads are used between the mounting bracket and outlet box

### 3. THE FAN WOBBLES

Verify all blades and blade bracket screws are secure (most fan wobble problems are caused by loose parts). Once fan is properly installed, run the ceiling fan for 10 minutes to let the fan self-adjust.

If wobble occurs after running the fan for 10 minutes, verify blade level using the following process:

a) select a point on the ceiling above the tip of one of the blades. Then select the fan blade and measure from the center of the selected blade to point on the ceiling. Rotate the fan until the next blade is positioned and repeat the measurement using the same point from the ceiling for every blade. Measurements should be within 1/8 inch.

b) If all deviation are less than 1/8 inch and the fan continues to wobble, please contact Customer Service [Support@parrotuncle.com](mailto:Support@parrotuncle.com) to order a complimentary Blade Balancing Kit

### 4. LIGHT IS NOT WORKING

Check Bulb to make sure it is installed correctly

Remove non-working bulb and replace with a bulb that is known to be a good working bulb

To reset the remote control: 1) Turn off power to fan using the wall switch or circuit breaker. 2) Remove batteries from remote. 3) Wait 10 seconds. 4) Replace batteries and turn power on



### AFTER INSTALLATION

#### WOBBLE”

The fan blades have been adjusted in the factory to minimize any wobble

**NOTE: CEILING FANS TEND TO MOVE DURING OPERATION DUE TO THE FACT THAT THEY ARE MOUNTED ON A RUBBER CROMMET. IF THE FAN WAS MOUNTED RIGIDLY TO THE CEILING, IT WOULD CAUSE EXCESS VIBRATION. MOVEMENT OF A FEW CENTIMENTERS IS QUITE ACCEPTABLE AND DOES NOT SUGGEST ANY PROBLEM**

**TO REDUCE THE FAN WOBBLE: PLEASE CHECK THAT ALL SCREWS WHICH SECURED THE MOUNTING BRACKET AND DOWNROD ARE SECURE.**

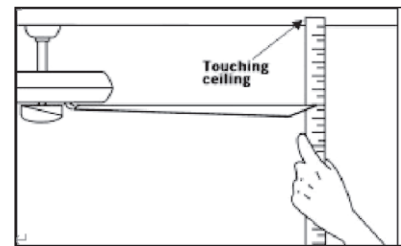
#### **BALANCING A WOBBLING CEILING FAN:**

For your convenience, a Balancing Kit is included; please follow this procedure when balancing the fan:

1. Check that all blade and blade arm screws are secure.
2. Most fan wobbling problems are caused when blade levels are unequal. Check this level by selecting a point on the ceiling above the tip of one of the blades. Measure this distance. Rotate the fan until the next blade is positioned for measurement. Repeat for each blade. The distance deviation should be equal within 1/8" (0.32cm).

3. Use the enclosed Blade Balancing Kit if the blade wobble is still noticeable.

4. If the blade wobble is still noticeable, interchanging two adjacent (side by side) blades can redistribute the weight and possibly result in smoother



operation. **WARNING: TO REDUCE THE RISK OF PERSONAL INJURY, DO NOT BEND THE BLADE ARM WHILE INSTALLING, BALANCING THE BLADES, OR CLEANING THE FAN. DO NOT INSERT FOREIGN OBJECTS BETWEEN ROTATING FAN BLADES.**

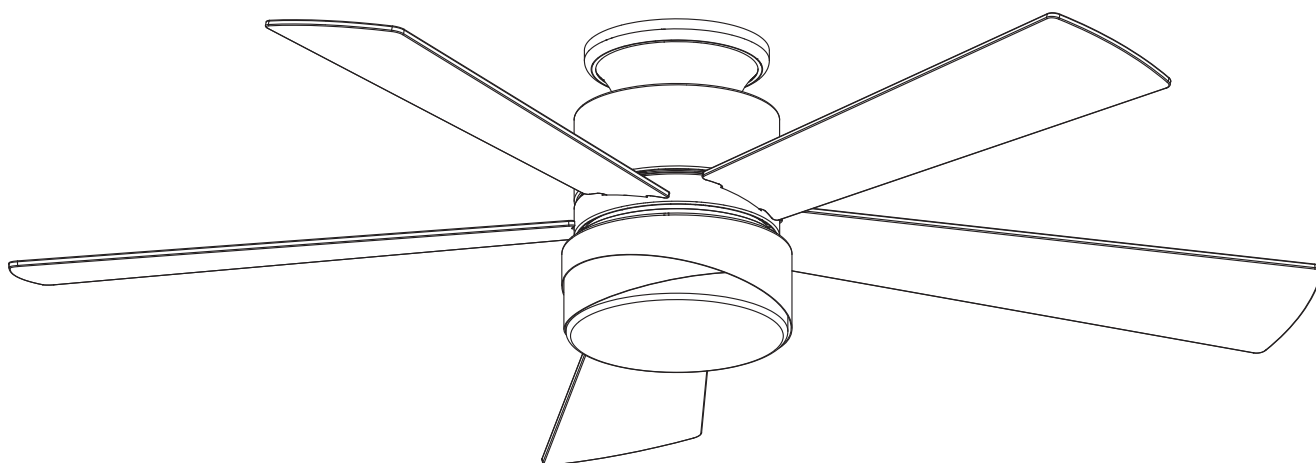
#### NOISE

When it is quiet (especially at night) you may hear occasional small noises. This is normal. Please allow a 24-hour “breaking-in” period, most noises associated with a new fan disappear during the time.

#### CARE AND CLEANING

1. Periodic cleaning of your ceiling fan is the only maintenance required. Use a soft brush or lint free cloth to avoid scratching the paint finish. Please make sure to turn off electricity power before you clean your fan
2. Do not use water when cleaning your ceiling fan. It could damage the motor or the blades and create the possibility of an electrical shock.
3. Motor has permanently lubricated ball bearing. No need to oil

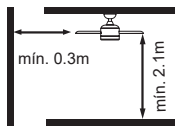
**NOTE: MAKE SURE THE POWER IS OFF AT THE ELECTRICAL PANEL BOX BEFORE YOU ATTEMPT ANY CLEANING OR REPAIRS.**



Si necesita más ayuda, visite <https://faq.parrotuncle.com> o escanee este código QR para ver el vídeo

## Información de seguridad

1. Para reducir el riesgo de descarga eléctrica, la electricidad se ha desconectado en el disyuntor o caja de fusibles antes de empezar.
2. Todo el cableado debe cumplir con el Código Eléctrico Nacional NASI/NFPA 70-1999 y los códigos eléctricos locales. La instalación eléctrica debe ser realizada por un electricista cualificado y autorizado.
3. La caja de salida y la estructura de soporte deben estar montadas de forma segura y ser capaces de soportar de forma fiable 35lb. (15,9kg). Utilice sólo cajas de salida listadas UL marcadas "Aceptable para soporte de ventilador de 35lbs (15,9kg) o menos".
4. El ventilador debe instalarse de forma que las aspas del ventilador estén a una altura mínima de 2,1 m del suelo. Asegúrese de que haya un espacio de al menos 30 cm entre las aspas del ventilador y cualquier pared u otro obstáculo con el que pudieran chocar. Es importante tener en cuenta que cuanto mayor sea la distancia, más eficaz será el flujo de aire.



5. No accione el interruptor de marcha atrás mientras las aspas del ventilador estén en movimiento. Debe apagar el ventilador y detener las aspas antes de invertir la dirección de las aspas.
6. No coloque ningún objeto en la trayectoria de las aspas.
7. Para evitar lesiones o daños al ventilador y a otros objetos, tenga cuidado cuando trabaje alrededor del ventilador o lo limpie.
8. Los diagramas de cableado son meramente orientativos. Los kits de iluminación que no se suministran con el ventilador deben estar homologados por UL y marcados como adecuados para el modelo de ventilador que está instalando. Los interruptores deben ser interruptores de uso general UL. Consulte las instrucciones empaquetadas con los kits de iluminación y los interruptores para un correcto montaje.
9. Después de hacer las conexiones eléctricas, los conductores empalmados deben girarse hacia arriba y empujarse con cuidado en la caja de salida. Los cables deben extenderse con el conductor de tierra y el conductor de tierra del equipo en un lado de la caja de salida.
10. Todos los tornillos de fijación deben ser revisados y apretados si es necesario antes de la instalación.



**ADVERTENCIA:** Para reducir el riesgo de lesiones, no doble los soportes de las cuchillas (también conocidos como bridas) durante el montaje o después de la instalación y no introduzca objetos en la trayectoria de las cuchillas.



**ADVERTENCIA:** Retire los toques de goma del motor situados en la parte inferior del ventilador antes de instalar las aspas o probar el motor.



**ADVERTENCIA:** Para reducir el riesgo de incendio o descarga eléctrica, no utilice este ventilador con un dispositivo de control de velocidad de estado sólido.



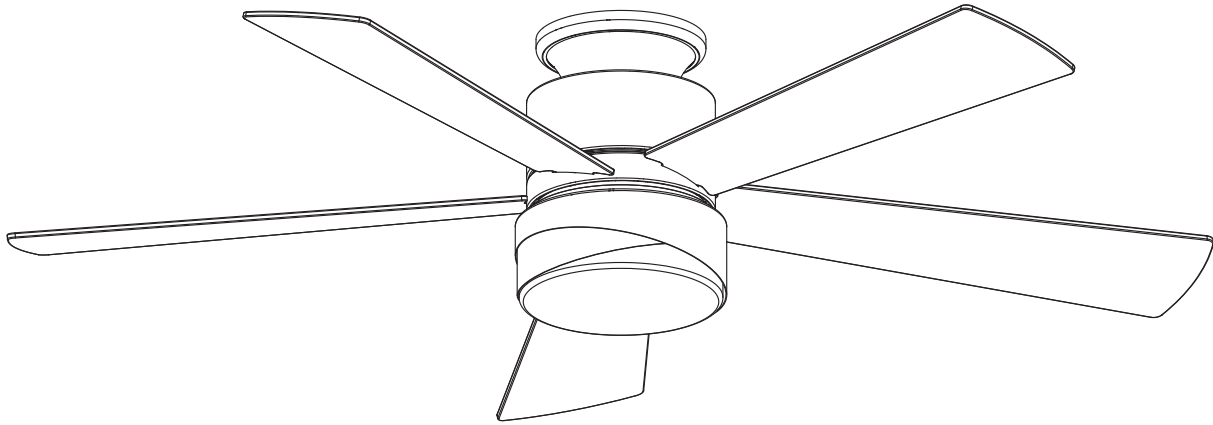
**ADVERTENCIA:** Para evitar el riesgo de descarga eléctrica, desconecte la alimentación en la caja de fusibles principal antes de realizar el cableado. Si considera que no tiene suficientes conocimientos o experiencia en cableado eléctrico, póngase en contacto con un electricista autorizado.



**ADVERTENCIA:** Los esquemas eléctricos son orientativos. El uso opcional de cualquier kit de iluminación debe estar homologado por UL y marcado como adecuado para su uso con este ventilador.



**ADVERTENCIA:** Para reducir el riesgo de incendio, descarga eléctrica o lesiones personales, instale la unidad en una caja de toma de corriente marcada como "Aceptable para un ventilador que pese 35 lbs (15,9 kg) o menos" y utilice los tornillos suministrados con la caja de toma de corriente.



### GRACIAS POR SU COMPRA

Gracias por adquirir este producto de calidad. Para garantizar un funcionamiento correcto y seguro, lea y conserve todas las instrucciones antes de utilizar el producto.

### CONSEJOS DE SEGURIDAD

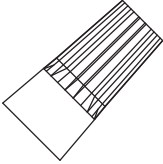
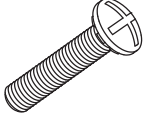
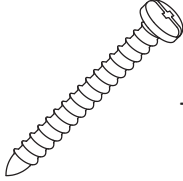
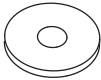

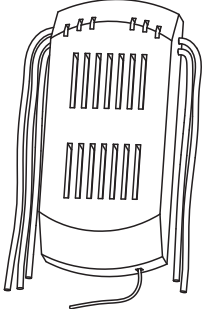
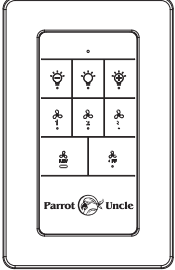
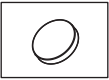


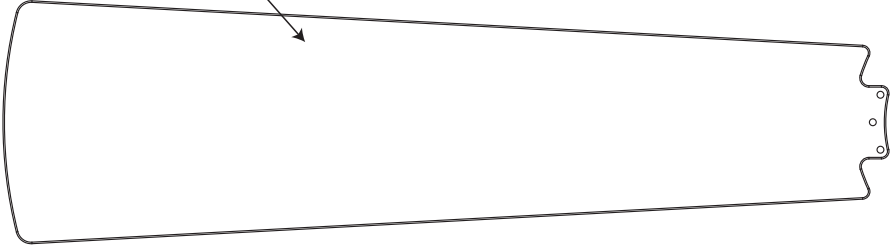
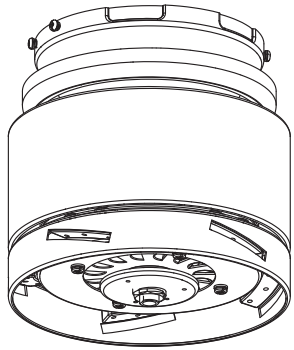
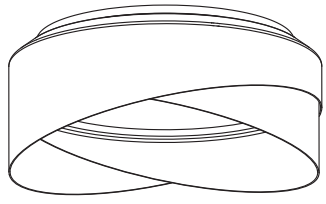
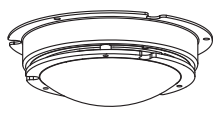
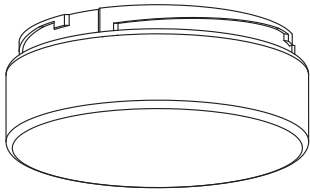
1. Para evitar el riesgo de descarga eléctrica, desconecte el suministro eléctrico en la caja de fusibles principal o en el panel del circuito antes de empezar a instalar el ventilador o antes de reparar el ventilador o instalar cualquier accesorio.
2. Lea detenidamente todas las instrucciones y la información de seguridad antes de instalar el ventilador y conserve estas instrucciones.
3. Asegúrese de que todas las conexiones eléctricas cumplen los códigos u ordenanzas locales y el Código Eléctrico Nacional. Si no está familiarizado con el cableado eléctrico, póngase en contacto con un electricista cualificado y autorizado.
4. Asegúrese de haber seleccionado una ubicación para su ventilador que deje espacio libre para que las aspas giren y al menos siete (7) pies de espacio libre entre el suelo y las puntas de las aspas del ventilador. El ventilador debe montarse al menos a treinta (30) pulgadas de las paredes u otras estructuras verticales.
5. **ADVERTENCIA:** La caja de salida y la vigueta de soporte del techo utilizadas deben estar firmemente sujetas y ser capaces de soportar al menos 100 libras. Para reducir el riesgo de incendio, descarga eléctrica o lesiones, fije la caja de salida a la caja de salida marcada como aceptable para el ventilador que se está soportando y utilice los tornillos de montaje suministrados con la caja de salida. La caja debe apoyarse directamente en la estructura del edificio.
6. **ADVERTENCIA:** Para reducir el riesgo de incendio, descarga eléctrica o lesiones personales, instale el aparato en la caja de salida marcada como "aceptable para el soporte del ventilador" y utilice los tornillos de montaje suministrados con la caja de salida. tornillos de montaje suministrados con la caja de salida la mayoría de las cajas de salida utilizadas habitualmente para soportar accesorios de iluminación no son aceptables para el soporte del ventilador y puede ser necesario sustituirlas. ventilador y puede ser necesario sustituirlas. En caso de duda, consulte a un electricista cualificado.
7. Los diagramas de cableado son orientativos. Los kits de iluminación que no se incluyen con el ventilador deben estar homologados por UL y marcados para su uso con el modelo de ventilador que está instalando. Los interruptores deben ser UL. interruptores de uso general. Consulte las instrucciones suministradas con los kits de iluminación y los interruptores para un correcto montaje.
8. Una vez finalizada la instalación, compruebe que todas las conexiones estén absolutamente seguras.
9. Una vez realizadas las conexiones eléctricas, los conductores empalmados deben girarse hacia arriba e introducirse con cuidado en la caja de toma de corriente. Los cables deben extenderse con el conductor de puesta a tierra y el conductor de puesta a tierra del equipo en un lado de la caja de toma de corriente.
10. **ADVERTENCIA:** Para reducir el riesgo de descarga eléctrica o incendio, no utilice este ventilador con un control de velocidad del ventilador de estado sólido o reóstato.
11. No desconecte el inversor hasta que el ventilador se haya detenido por completo.
12. No introduzca nada en las aspas del ventilador mientras estén girando.
13. **ADVERTENCIA:** Para reducir el riesgo de lesiones, no doble los soportes de las aspas (también conocidos como "bridas") durante el montaje o después de la instalación. No introduzca objetos en la trayectoria de las aspas.
14. Para evitar lesiones o daños al ventilador y a otros componentes, tenga cuidado cuando trabaje alrededor del ventilador o lo limpie.
15. No utilice agua ni detergente para limpiar el ventilador o sus aspas. Para la mayor parte de la limpieza, utilice un paño seco o ligeramente humedecido.

**NOTA:** Las importantes precauciones de seguridad e instrucciones de este manual no pretenden cubrir todas las posibles condiciones y situaciones que puedan ocurrir. Debe entenderse que el sentido común y la precaución son factores necesarios en la instalación y el funcionamiento de este ventilador.

**NOTA:** Este producto no está destinado a ser utilizado por personas (incluidos niños) con capacidades físicas, sensoriales o mentales reducidas o con falta de experiencia o conocimientos, a menos que sean supervisadas o adiestradas en su uso por una persona responsable de su seguridad.

**NOTA:** Los niños deben ser supervisados para garantizar que no utilicen el aparato como un juguete.

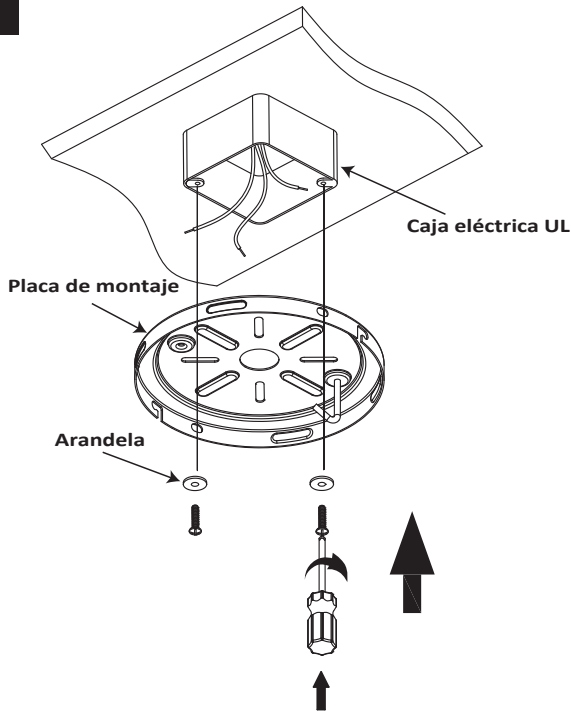
**ADVERTENCIA: DESCONECTE LA ALIMENTACIÓN EN EL FUSIBLE O DISYUNTOR**

 <p>Tuerca de alambre de plástico (4PZAS)</p>  <p>Tornillos (2PZAS)</p>	 <p>Tornillos de montaje (2PZAS)</p>  <p>Arandela (2PZAS)</p>	 <p>Tornillo de la cuchilla (16PZAS)</p>
 <p>MANDO A DISTANCIA (1 PZA)</p> 	<p>⌚ x 2</p> <p>⌚ x 2</p>   <p>x6</p>	<p>Placa de techo</p> 
<p>Cuchilla (5PZAS)</p> 	<p>Conjunto motor</p> 	<p>Carcasa del interruptor</p>  <p>Kit de luz</p>  <p>Pantalla</p> 

**Compruebe si los accesorios anteriores están completos o no. Sí, e instálelos.**

**ADVERTENCIA: DESCONECTE LA ALIMENTACIÓN EN EL FUSIBLE O DISYUNTOR**

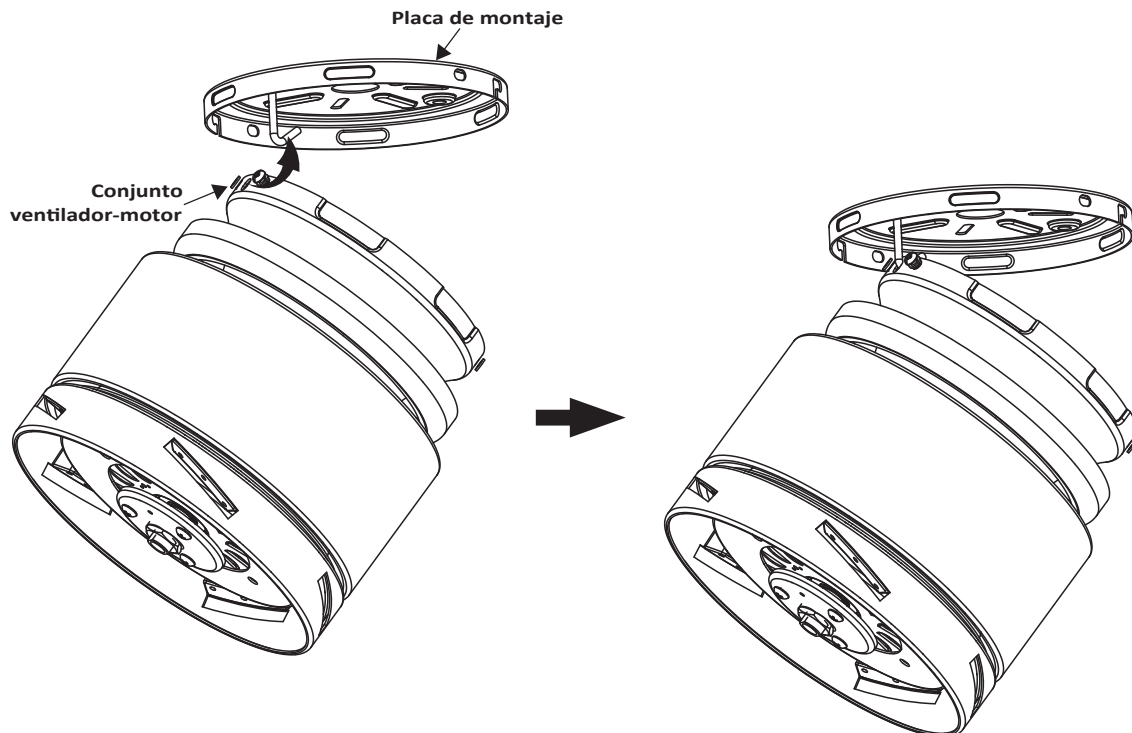
1



Compruebe la caja de salida existente (no incluida) para asegurarse de que está firmemente sujeta al menos a dos puntos de un elemento estructural del techo y de que puede soportar todo el peso del ventilador. Una vez verificado, instale el soporte de montaje en la caja de salida utilizando los tornillos y arandelas suministrados .

**PELIGRO:** Una caja de salida suelta puede hacer que el ventilador se tambalee y aumentar el potencial de caída del ventilador, lo que podría provocar lesiones graves.

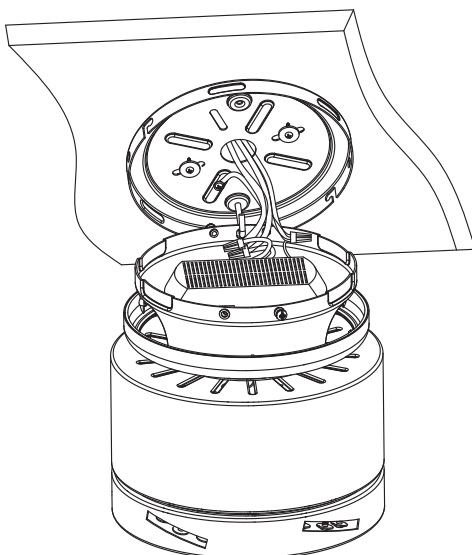
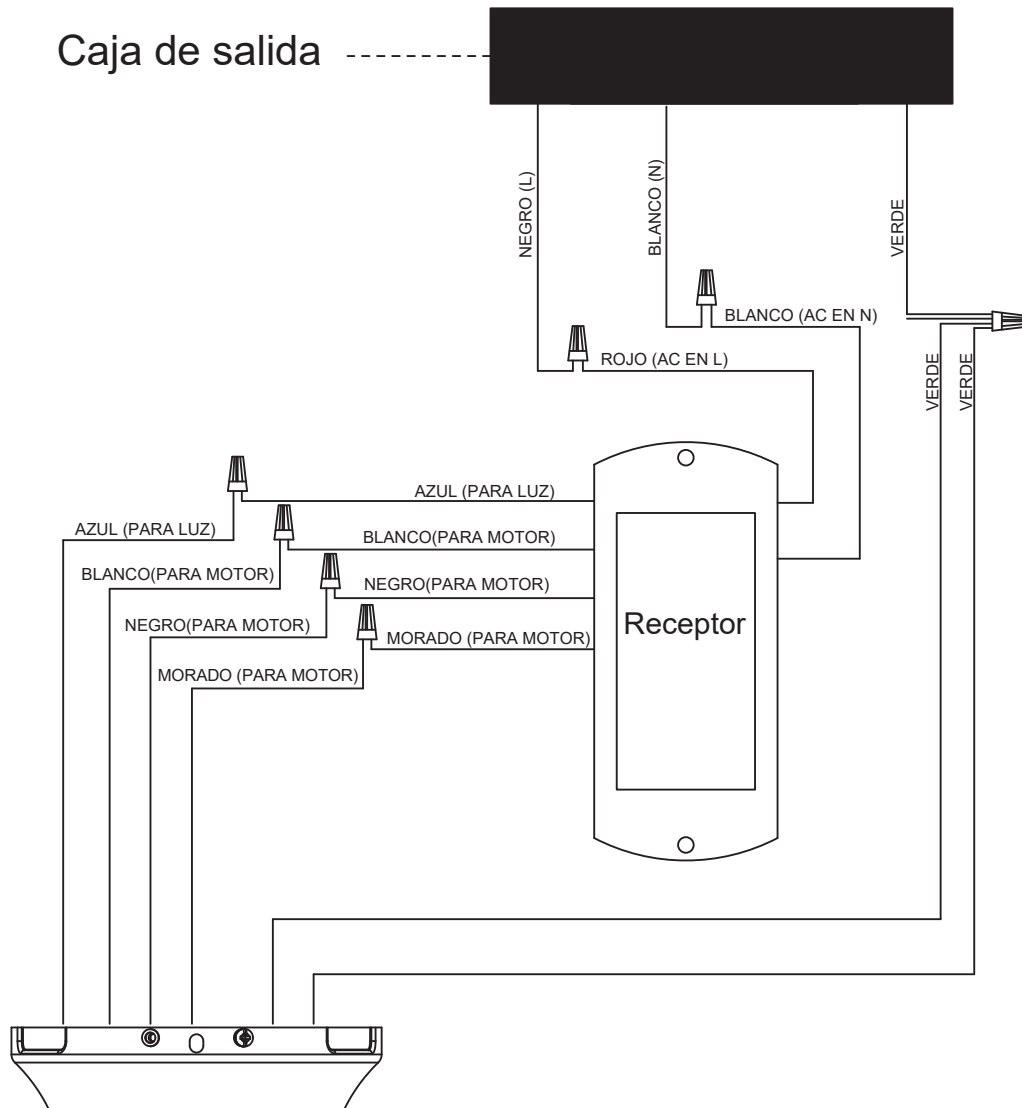
2



Cuelgue el conjunto del motor del conjunto del soporte de techo utilizando el gancho del conjunto del soporte de techo y el bucle del cable del conjunto del motor, tal como se muestra.

**ADVERTENCIA: DESCONECTE LA ALIMENTACIÓN EN EL FUSIBLE O DISYUNTOR**

Caja de salida

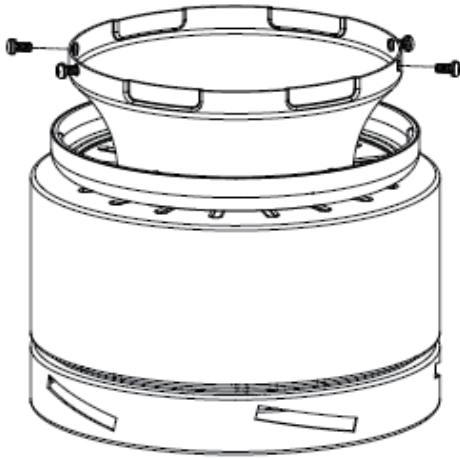


Una vez realizadas las conexiones, coloque los conductores blanco y verde hacia un lado y los negros hacia el otro, la conexión debe girarse hacia arriba y empuje con cuidado los conductores dentro de la caja de salida. Los cables deben estar separados, con el conductor con toma de tierra y el conductor con toma de tierra del equipo en un lado de la caja de salida y el conductor sin toma de tierra en el otro lado.

LA LUZ DEBE MANTENERSE EN LA POSICIÓN DE ENCENDIDO

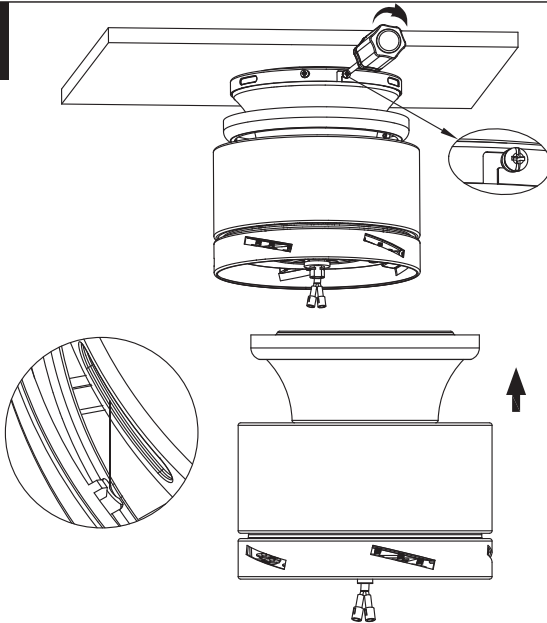
EL VENTILADOR DEBE MANTENERSE EN LA POSICIÓN DE ARRIBA

**3**



Retire y retenga dos tornillos opuestos del conjunto del motor y, a continuación, afloje los dos tornillos restantes.

**4**



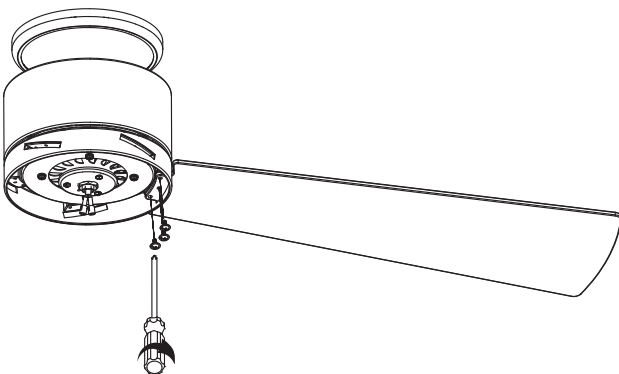
Cuelgue el conjunto del motor como se muestra.

Asegúrese de que los cables de alimentación eléctrica, incluido el cable de conexión a tierra del soporte de techo, pasen por el orificio central del soporte de techo, entre el soporte de techo y el conjunto del motor, para poder realizar las conexiones eléctricas posteriormente.

Monte el conjunto del motor en el soporte de techo utilizando los tornillos retirados anteriormente y apriete firmemente todos los tornillos.

Empuje el anillo embellecedor del techo hacia arriba para ocultar los tornillos, de forma que las pestañas de montaje se asienten en las ranuras con hoyuelos del soporte del techo a medio camino entre los tornillos.

**5**

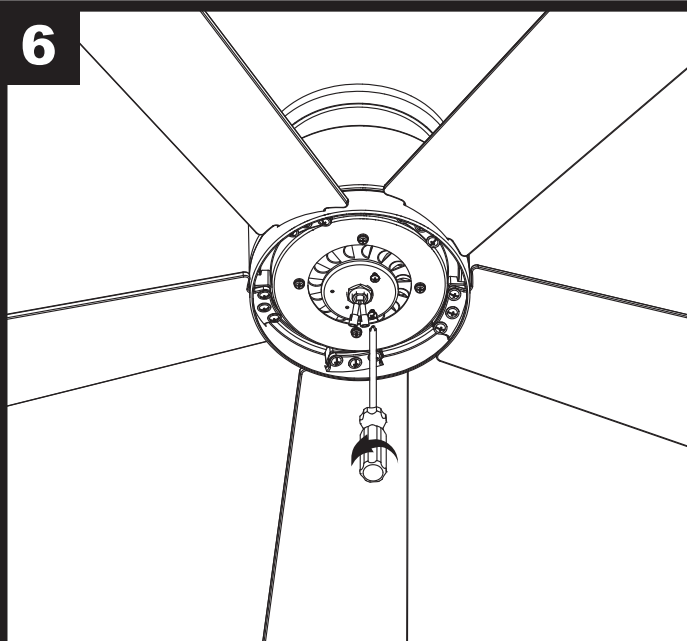


Deslice las aspas por las ranuras de la carcasa del motor y fíjelas al cubo del motor con los tornillos de las aspas. Asegúrese de que los tornillos que fijan las aspas al cubo del motor estén bien apretados y asentados.



**ADVERTENCIA: DESCONECTE LA ALIMENTACIÓN EN EL FUSIBLE O DISYUNTOR**

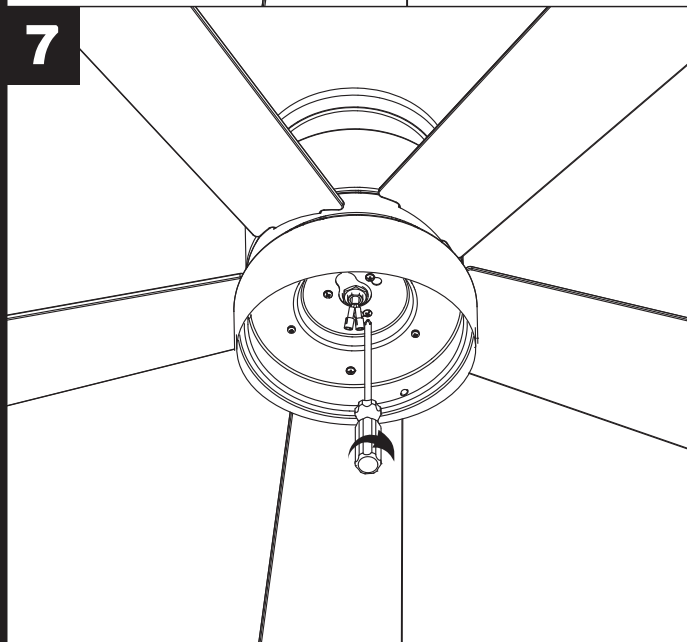
6



Retire uno de los tres tornillos de la abrazadera de soporte situada en la parte inferior del conjunto del motor.

Conserve el tornillo para más tarde y afloje ligeramente los dos tornillos restantes.

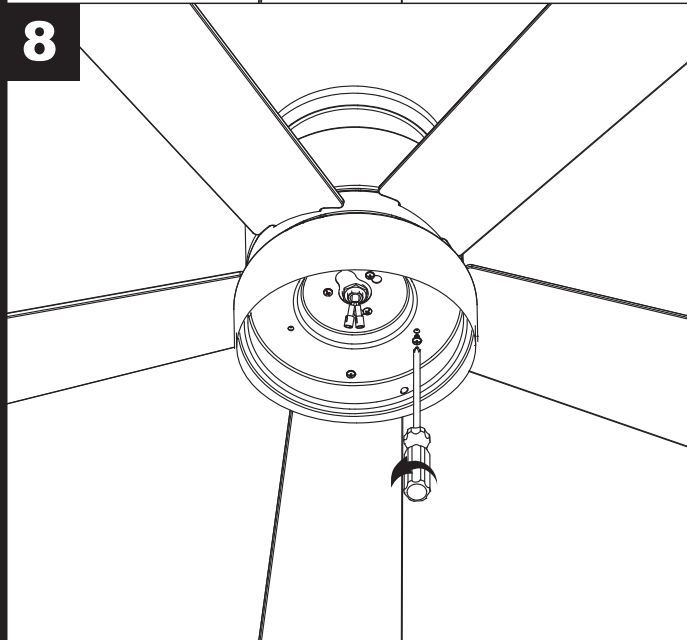
7



Monte el conjunto de la carcasa del interruptor en el soporte de apoyo utilizando las dos ranuras de llave del conjunto de la carcasa del interruptor.

Vuelva a colocar el tornillo retirado anteriormente y apriete firmemente los tres tornillos.

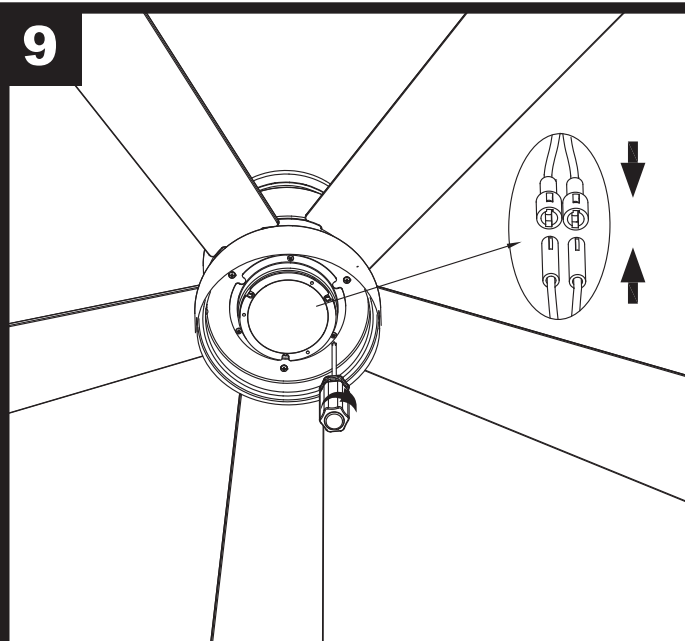
8



Retire uno de los tres tornillos del conjunto de la carcasa del interruptor.

Conserve el tornillo para más tarde y afloje ligeramente los dos tornillos restantes.

9

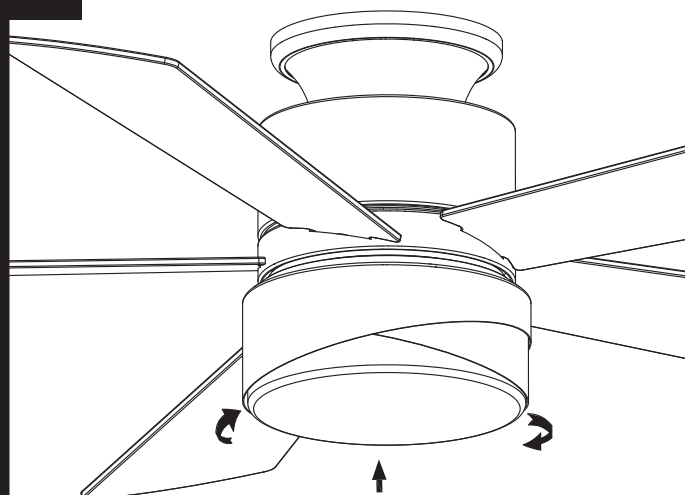


Conecte los 2 conectores de una clavija del kit de luces a los 2 conectores de una clavija del conjunto del motor.

Monte el kit de luces en el conjunto de la carcasa del interruptor utilizando las dos ranuras de la llave. Vuelva a colocar el tornillo retirado y fije los tres tornillos.

Vuelva a colocar el tornillo retirado y fije los tres tornillos.

10

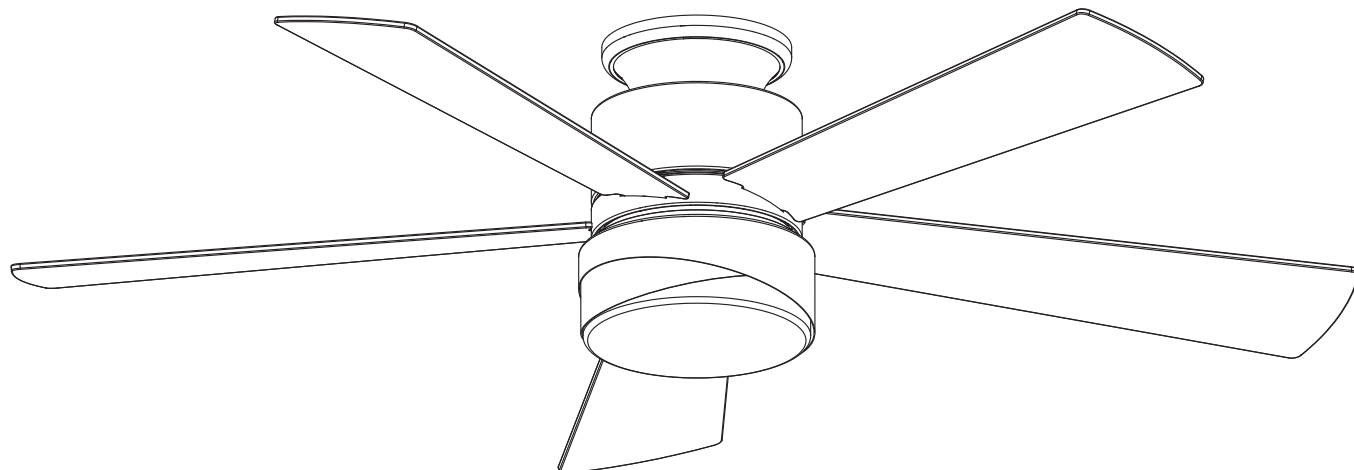


Fije la pantalla al conjunto de la carcasa del interruptor girándola en el sentido de las agujas del reloj.

Gire la pantalla gradualmente hasta que encaje en la carcasa del interruptor.

No apriete demasiado.

Toda la estructura



### APP Conexión de control

1. En primer lugar, busca y descarga la aplicación gratuita ParrotUncle Smart desde App Store o Google Play o escanea el código QR como se indica a continuación.

2. Abre la aplicación ParrotUncle Smart para crear tu cuenta. La cuenta con "ParrotUncle Smart" se puede registrar a través de correo electrónico o teléfono móvil.



3. Conecta el dispositivo a la aplicación ParrotUncle Smart (WIFI & Bluetooth activados):

- Pulsa el botón "+" en la lista de dispositivos.
- Pulsa "Auto Scan" en la parte superior.
- Espere a que salga el dispositivo y pulse "Siguiente".
- Pulse el botón "+" para añadir el dispositivo.
- Conéctese a la WIFI de su casa.
- Espere a que se conecte.

4. Conecte el dispositivo a la Alexa:

- Asegúrate de que has conectado el dispositivo a la app y funciona con normalidad.
- Abre la app Alexa, ve a la skill para buscar la skill "ParrotUncle Smart".
- Enlaza el skill, inicia sesión con tu cuenta y contraseña de ParrotUncle Smart, luego autoriza y conéctate con la aplicación ParrotUncle Smart.
- Entonces Alexa encontrará el dispositivo automáticamente.

5. Conecte el dispositivo a Google Home:

- Asegúrate de que has conectado el dispositivo a la app y funciona con normalidad.
- Abre la app Google Home, configura un dispositivo, elige "Funciona con Google".
- Busca "ParrotUncle Smart", inicia sesión con tu cuenta y contraseña de la aplicación ParrotUncle Smart, luego autoriza y conéctate con la aplicación ParrotUncle Smart.
- Entonces el Asistente de Google encontrará el dispositivo automáticamente.

Cómo restablecer la configuración de red en el ventilador de techo:

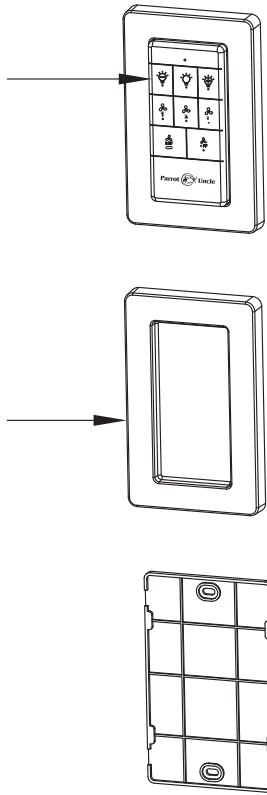
- Apaga el ventilador
- Encendido el ventilador, mantenga pulsado el botón de apagado del mando a distancia durante 30 segundos
- El parpadeo de la luz indica que el restablecimiento de los ajustes de red se ha realizado correctamente
- Ahora puede utilizar la aplicación para volver a conectar el dispositivo

Si necesitas más ayuda, visita <https://faq.parrotuncle.com> o escanea este código QR para ver el vídeo

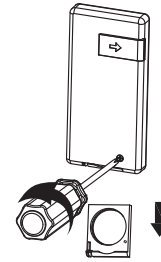


**ADVERTENCIA: DESCONECTE LA ALIMENTACIÓN EN EL FUSIBLE O DISYUNTOR**

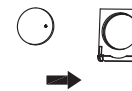
1



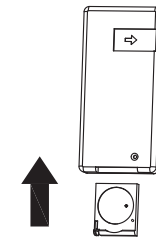
4



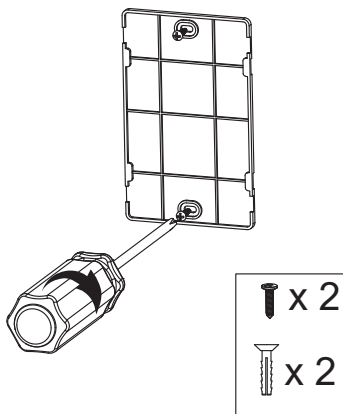
5



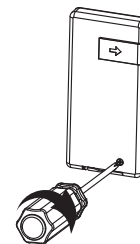
6



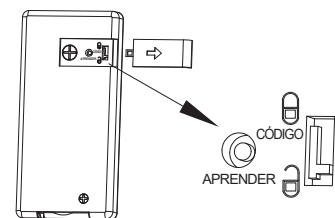
2



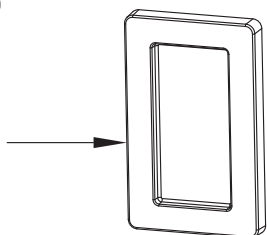
7



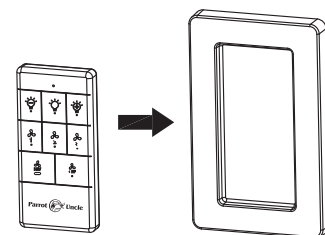
8



3



9



## Mando a distancia

### INSTRUCCIONES DE INSTALACIÓN Y FUNCIONAMIENTO

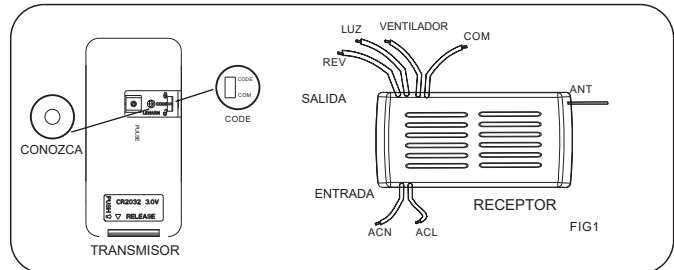
#### 1. INSTALACIÓN DEL RECEPTOR EN EL VENTILADOR DE TECHO

##### A. Precauciones de seguridad:

**ADVERTENCIA: ALTA TENSIÓN!** Desconecte la alimentación quitando el fusible o desconectando el disyuntor.  
No utilizar con ventiladores de estado sólido.  
El cable eléctrico debe cumplir todos los requisitos de los códigos eléctricos locales y nacionales.  
El suministro para el ventilador debe ser de 110/120 voltios, 60 Hz. Amperios máximos del motor del ventilador: 1,0, vatios máximos de la luz: 180 incandescentes o balasto y LED.  
De lo contrario, la alimentación puede causar lesiones graves o la muerte.

##### B. Instalación del receptor en el ventilador:

- Desconecte la alimentación del circuito.
- Retire la cubierta del ventilador de techo del soporte de montaje.
- Desconecte el cableado existente entre el ventilador de techo y el suministro en la caja de conexiones eléctricas.
- Realice las conexiones como se indica a continuación, utilizando las tuercas para cables suministradas:



**PRECAUCIÓN:** El ángulo del techo no debe superar los 30 grados, Para el controlador de montaje, modelo RE-028W

##### CONECTAR A Alambre

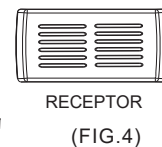
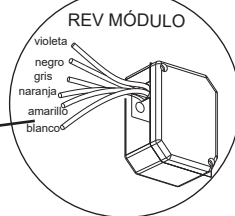
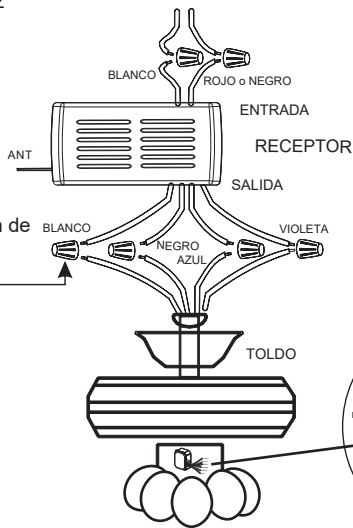
Cable verde del ventilador ....Cable desnudo de alimentación  
Cable rojo o negro receptor (AC EN L)....Cable rojo o negro de alimentación  
Cable blanco del receptor (AC EN N)....Cable blanco de alimentación  
Cable blanco del receptor (AU MOTOR N)....Cable blanco del ventilador  
Cable negro del receptor (AU MOTOR L)....Cable negro del ventilador  
Cable azul del receptor (PARA LUZ) ....Cable azul del luz  
Cable violeta del receptor (PARA REV) ....Cable púrpura de reversa

DE UNA FUENTE DE ALIMENTACIÓN AC 110-120 VOLT 60Hz 3.5AMPS.

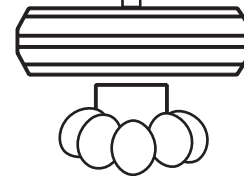
Utilice las tuercas de conexión suministradas con el ventilador (FIG.3)

Utilice las tuercas de conexión de cables suministradas con el mando a distancia.

TUERCA DE ALAMBRE



ANTENA EXTERIOR MÁS TEJADILLO CAJA FUNCIONAMIENTO PUEDE CONSEGUIR DISTANCIA



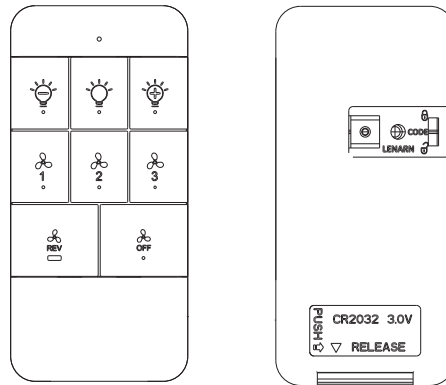
Si otros ventiladores o cables de alimentación son de otro color, encargue la instalación de esta unidad a un electricista cualificado y autorizado.

- Empuje todos los cables conectados hacia arriba en la caja de conexiones.
- Coloque el cable de antena marrón sobre el receptor, y coloque el receptor en el soporte de montaje.
- Vuelva a instalar la cubierta en el soporte de montaje.
- Restablezca la alimentación eléctrica.
- Instale una pila de 1,5 voltios (no incluida). (Para evitar daños en el transmisor, retire la batería si no va a utilizarlo durante un periodo prolongado).
- Guarde el transmisor alejado del calor o la humedad excesivos.
- Este mando a distancia está equipado con combinaciones de códigos de rodillo. Para evitar posibles interferencias con otros mandos a distancia como abridores de puertas de garaje, alarmas de coche o sistemas de seguridad. Si observa que el ventilador y el kit de luces se encienden y apagan sin la ayuda del mando a distancia, sólo tiene que cambiar la combinación de códigos del transmisor y del receptor.

### 2. FUNCIONAMIENTO DEL TRANSMISOR:

- Manejo de los botones del panel del transmisor.  
Tecla 3 -para velocidad alta del ventilador.  
Tecla 2 -para velocidad media del ventilador.  
Tecla 1-para velocidad baja del ventilador.  
Tecla OFF-para ventilador apagado.  
Tecla REV-para inversión del ventilador.  
Tecla LIGHT-para encender y apagar la luz.  
Tecla LIGHT+ para regular la luz +.  
Tecla LIGHT- para atenuar la luz -.

MODELO:  
RE-021

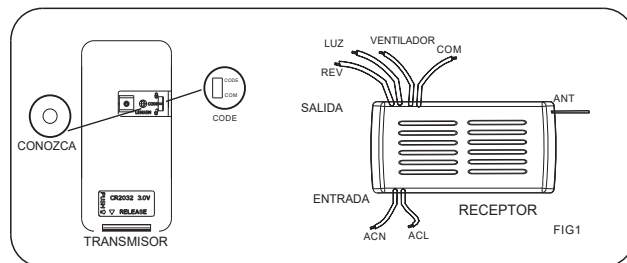


DISTANCIA DE FUNCIONAMIENTO 20 PIES

SU MANDO A DISTANCIA TIENE AHORA EL CONTROL TOTAL DEL VENTILADOR Y LA LUZ.

### 3. GUÍA DE RESOLUCIÓN DE PROBLEMAS

- Encendido del receptor?
- El receptor está cableado correctamente?
- Control manual de velocidad del ventilador en la posición más alta?
- El interruptor del kit de luces está encendido?
- Batería en buen estado en el transmisor?



Si hay dos o más ventiladores de techo instalados en la misma casa, para evitar que sus ventiladores de techo se vean afectados por el mando a distancia de los ventiladores de techo adyacentes, gire primero el interruptor de cada transmisor de mando a distancia a la posición CODE(bloqueado) (véase el diagrama esquemático FIG1) Observaciones: El estado estándar del transmisor es en el código común COM.

(Apagado significa que usted necesita usar un interruptor de pared para apagar la energía del ventilador de techo, si usted no tiene un interruptor de pared, por favor apague toda la habitación desde el disyuntor de aire para cada habitación)

Después de instalar el receptor del mando a distancia en el ventilador de techo

1: Conecte la alimentación del receptor del ventilador de techo 1# (la alimentación del receptor 2# se mantiene en estado de apagado), en los 30 segundos siguientes a la conexión de la alimentación del ventilador, pulse el botón LEARN correspondiente al transmisor 1#, entonces El receptor aprenderá el código del transmisor. Cuando el código del transmisor se aprenda con éxito, la luz del ventilador de techo parpadeará dos veces, y entonces se podrá utilizar normalmente.

2: Conecte la alimentación del receptor del ventilador de techo 2# (la alimentación del receptor 1# se mantiene en estado de desconexión), dentro de los 30 segundos después de conectar la alimentación del ventilador, pulse el botón LEARN correspondiente al transmisor 2#, entonces El receptor aprenderá el código del transmisor. Cuando el código del transmisor se aprenda con éxito, la luz del ventilador de techo parpadeará dos veces, y entonces se podrá utilizar normalmente.

Y así sucesivamente, sólo un ventilador de techo se enciende cada vez que el transmisor correspondiente aprende el código.

Declaración FCC:

1.Este dispositivo cumple con la Parte 15 de las normas de la FCC. Su funcionamiento está sujeto a las dos condiciones siguientes

(1) Este dispositivo no puede causar interferencias perjudiciales.

(2) Este dispositivo debe aceptar cualquier interferencia recibida, incluyendo interferencias que puedan causar un funcionamiento no deseado.

2. Los cambios o modificaciones no aprobados expresamente por la parte responsable del cumplimiento podrían anular la autoridad del usuario para utilizar el equipo.

NOTA: Este equipo ha sido sometido a pruebas y se ha determinado que cumple los límites establecidos para los equipos digitales de Clase B, de conformidad con la Parte 15 de las normas de la FCC. Estos límites están diseñados para proporcionar una protección razonable contra interferencias perjudiciales en una instalación residencial. Este equipo genera, utiliza y puede irradiar energía de radiofrecuencia y, si no se instala y utiliza de acuerdo con las instrucciones, puede provocar interferencias perjudiciales en las comunicaciones por radio,

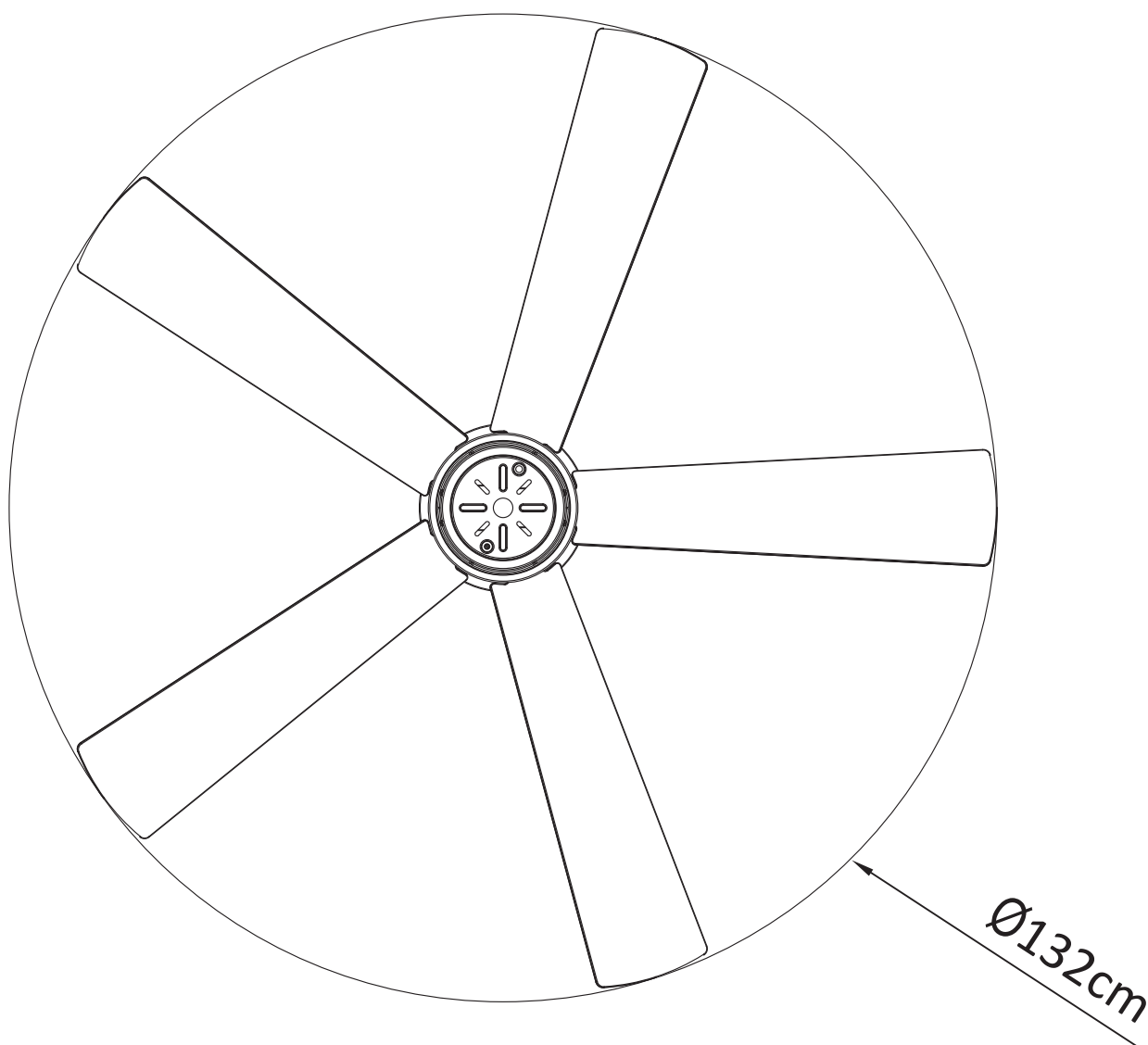
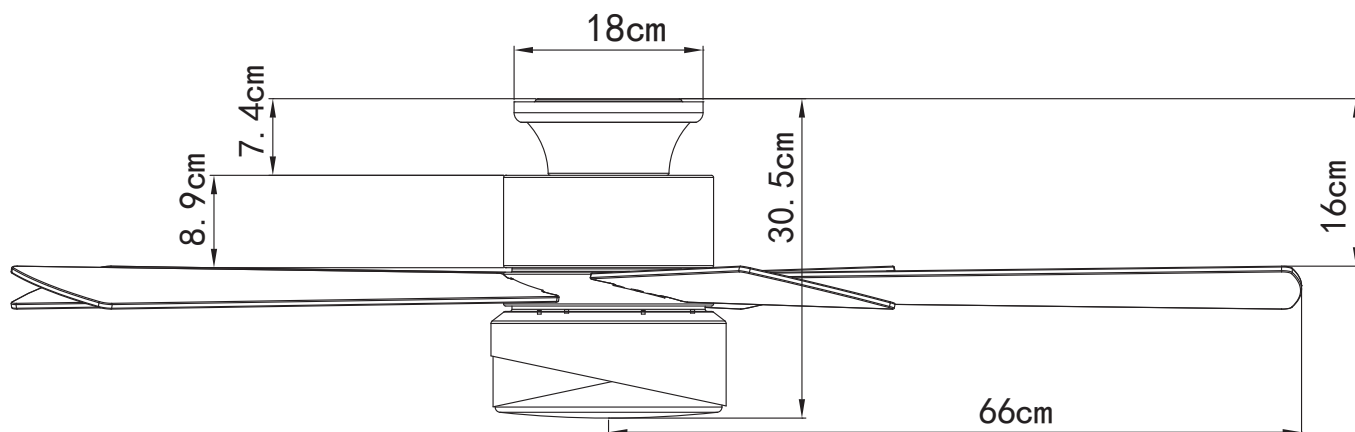
No obstante, no se garantiza que no se produzcan interferencias en una instalación concreta. Si el equipo causa interferencias perjudiciales en la recepción de radio o televisión, lo cual puede determinarse apagando y encendiendo el equipo, se recomienda al usuario que intente corregir la interferencia mediante una o más de las siguientes medidas:

- Reorientar o reubicar la antena receptora.
- Aumentar la separación entre el equipo y el receptor.
- Conecte el equipo a una toma de corriente de un circuito distinto al que está conectado el receptor.
- Consulte al distribuidor o a un técnico de radio/ TV experimentado para obtener ayuda.

**ADVERTENCIA:**

PARA REDUCIR EL RIESGO DE DESCARGA ELÉCTRICA, ESTE VENTILADOR DEBE INSTALARSE CON UN MANDO/INTERRUPTOR DE PARED.

### TAMAÑO DEL PRODUCTO



# GUÍA DE SOLUCIÓN DE PROBLEMAS

## Tabla de contenidos

1. El ventilador / mando a distancia no funciona
2. El ventilador hace ruido
3. El ventilador se tambalea
4. La luz no funciona

*Consulte la hoja de instrucciones para obtener instrucciones detalladas y descripciones de los pasos y requisitos de instalación.*

## 1. VENTILADOR / EL MANDO A DISTANCIA NO FUNCIONA

Asegúrese de que el mando a distancia está dentro del alcance de 20 pies del receptor.

Para reiniciar el mando a distancia: 1) Desconecte la alimentación del ventilador mediante el interruptor de pared o el disyuntor. 2) Retire las pilas del mando a distancia. 3) Espere 10 segundos. 4) Vuelva a colocar las pilas y encienda el ventilador.

Compruebe que las pilas están en buen estado y correctamente orientadas.

Compruebe que los interruptores de frecuencia (interruptores DIP) del mando a distancia al receptor están en la misma frecuencia

Compruebe los fusibles o disyuntores del circuito principal y de los circuitos derivados.

Si utiliza un interruptor de pared de velocidad variable, asegúrese de que está diseñado específicamente para su uso con un ventilador de techo.

Compruebe las conexiones de los cables al ventilador y las conexiones de los cables del interruptor en la carcasa del interruptor siguiendo las instrucciones.

Si el ventilador sigue sin funcionar, póngase en contacto con el servicio de atención al cliente [support@parrotuncle.com](mailto:support@parrotuncle.com).

## 2. EL VENTILADOR HACE RUIDO

Asegúrese de que todos los tornillos de la carcasa del motor están apretados.

Asegúrese de que los tornillos que sujetan las aspas del ventilador al motor están apretados.

Asegúrese de que los conectores de las tuercas de los cables no chocan entre sí ni con la pared interior de la carcasa del interruptor.

Permita un periodo de rodaje de 24 horas. La mayoría de los ruidos asociados con el nuevo ventilador pueden desaparecer durante este tiempo.

si utiliza un kit de iluminación de techo, asegúrese de que la cristalería está bien sujeta

Asegúrese de que hay una corta distancia/espacio entre el techo y la parte superior de la campana. La cubierta no debe tocar el techo.

Asegúrese de que la caja del techo esté bien sujeta y de que se utilicen las almohadillas aislantes de goma entre el soporte de montaje y la caja de salida.



### 3. EL VENTILADOR SE TAMBALEA

Verifique que todas las aspas y los tornillos del soporte de las aspas estén bien sujetos (la mayoría de los problemas de bamboleo del ventilador son causados por piezas sueltas). Una vez que el ventilador esté instalado correctamente, haga funcionar el ventilador de techo durante 10 minutos para que el ventilador se autoajuste.

Si el ventilador se tambalea después de 10 minutos de funcionamiento, verifique el nivel de las aspas mediante el siguiente proceso:

- a) seleccione un punto en el techo por encima de la punta de una de las aspas. A continuación, seleccione el aspa del ventilador y mida desde el centro del aspa seleccionada hasta el punto en el techo. Gire el ventilador hasta colocar el siguiente aspa y repita la medición utilizando el mismo punto del techo para cada aspa. Las mediciones deben estar dentro de 1/8 de pulgada.
  - b) Si todas las desviaciones son inferiores a 1/8 de pulgada y el ventilador sigue oscilando, póngase en contacto con el servicio de atención al cliente [support@parrotuncle.com](mailto:support@parrotuncle.com) para solicitar un kit de equilibrado de palas gratuito.
- Si todas las desviaciones son inferiores a 1/8 de pulgada y el ventilador sigue tambaleándose, póngase en contacto con el servicio de atención al cliente [support@parrotuncle.com](mailto:support@parrotuncle.com) para solicitar un kit de equilibrado de palas gratuito.

### 4.LA LUZ NO FUNCIONA

Conexiones eléctricas sueltas.

Desconecte la electricidad del circuito derivado en la caja de fusibles o en el panel de disyuntores y compruebe que los conectores eléctricos del conjunto de la luz LED están bien instalados.

Para reiniciar el mando a distancia: 1) Desconecte la alimentación del ventilador mediante el interruptor de pared o el disyuntor. 2) Retire las pilas del mando a distancia. 3) Espere 10 segundos. 4) Vuelva a colocar las pilas y encienda el ventilador

### AFTER INSTALLATION

#### Wobble

The fan blades have been adjusted in the factory to minimize any wobble

**Nota:** los ventiladores de techo tienden a moverse durante su funcionamiento debido a que están montados sobre un ojal de goma. Si el ventilador estuviera montado rígidamente en el techo, causaría un exceso de vibración. Un movimiento de unos pocos centímetros es bastante aceptable y no sugiere ningún problema para reducir el bamboleo del ventilador: Compruebe que todos los tornillos que fijan el soporte de montaje y la varilla de bajada están bien apretados.

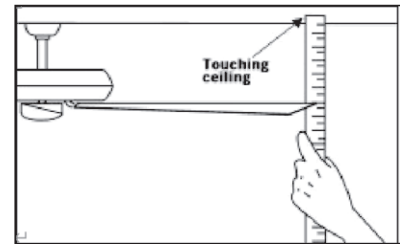
#### Equilibrar un ventilador de techo que se tambalea:

1. Compruebe que todos los tornillos de las aspas y del brazo de las aspas estén bien sujetos.
2. La mayoría de los problemas de bamboleo del ventilador se deben a que el nivel de las aspas es desigual.

Compruebe este nivel eligiendo un punto en el techo por encima de la punta de una de las aspas. Mida esta distancia. Gire el ventilador hasta que el siguiente aspa esté posicionada para la medición. Repita el procedimiento para cada aspa. La desviación de la distancia debe ser igual dentro de 1/8"(0,32cm).

3. Si el bamboleo de las aspas sigue siendo perceptible, el intercambio de dos aspas adyacentes (una al lado de la otra)

puede redistribuir el peso y posiblemente resultar en un funcionamiento más suave.



**Advertencia:** Para reducir el riesgo de lesiones personales, no doble el brazo de las aspas mientras instala, equilibra las aspas o limpia el ventilador. No introduzca objetos extraños entre las aspas giratorias del ventilador.

#### Ruido

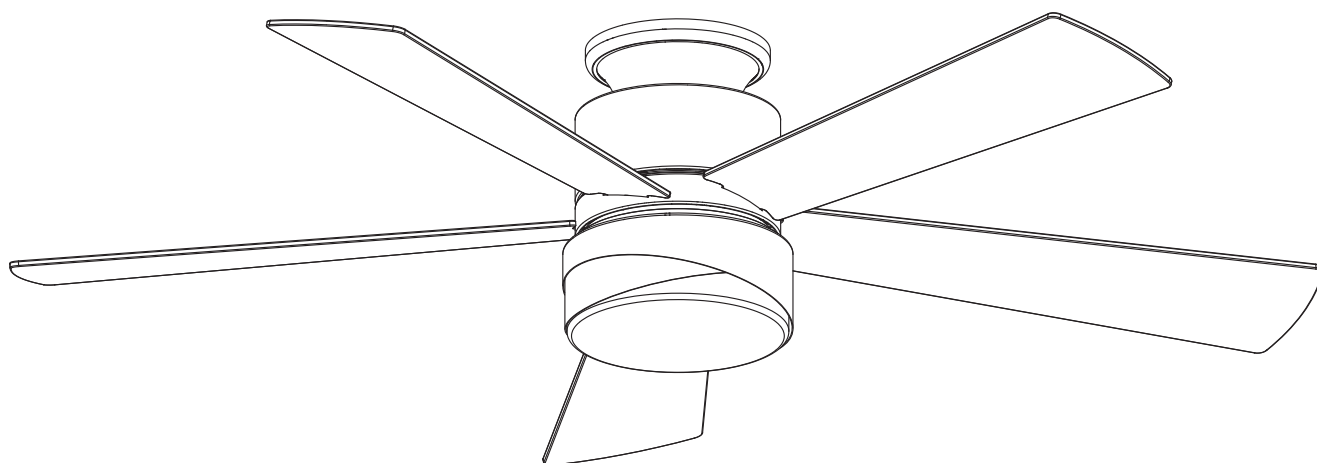
Cuando todo está tranquilo (sobre todo por la noche), es posible que oiga pequeños ruidos ocasionales. Esto es normal.

La mayoría de los ruidos asociados a un ventilador nuevo desaparecen durante ese tiempo.

#### Cuidado y limpieza

1. La limpieza periódica de su ventilador de techo es el único mantenimiento necesario. Utilice un cepillo suave o un paño que no suelte pelusa para evitar rayar el acabado de la pintura. Asegúrese de desconectar la corriente eléctrica antes de limpiar el ventilador.
2. No utilice agua para limpiar el ventilador de techo. Podría dañar el motor o las aspas y crear la posibilidad de una descarga eléctrica.
3. El motor tiene rodamientos de bolas lubricados permanentemente. No necesita aceite.

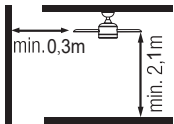
**Nota:** Asegúrese de que la corriente está desconectada en la caja del cuadro eléctrico antes de intentar cualquier limpieza o reparación.



Si vous avez besoin d'aide, visitez le site <https://faq.parrotuncle.com> ou scannez ce code QR pour visionner la vidéo

## Safety Information

1. Pour réduire le risque de choc électrique, l'électricité a été coupée au niveau du disjoncteur ou de la boîte à fusibles avant de commencer.
2. Tout le câblage doit être conforme au Code national de l'électricité NASI/NFPA 70-1999 et aux codes électriques locaux. L'installation électrique doit être effectuée par un électricien qualifié et agréé.
3. La boîte de sortie et la structure de support doivent être solidement montées et capables de supporter de manière fiable 35lb.(15,9kg). Utilisez uniquement des boîtes de sortie homologuées UL portant la mention «Acceptable for Fan Support of 35lbs(15,9kg)or less.»
4. Le ventilateur doit être installé de manière à ce que les pales du ventilateur et soient au moins à 2,1 m au-dessus du sol. Veillez à ce qu'il y ait un espace d'au moins 30 cm entre les pales du ventilateur et tout mur ou autre obstacle avec lequel elles pourraient entrer en collision. Il est important de noter que plus la distance est grande, plus le flux d'air est efficace.



5. N'actionnez pas le commutateur d'inversion lorsque les pales du ventilateur sont en mouvement. Vous devez éteindre le ventilateur et arrêter les pales avant d'inverser le sens des pales.
6. Ne placez pas d'objets dans la trajectoire des pales.
7. Pour éviter toute blessure ou tout dommage au ventilateur et à d'autres articles, veuillez être prudent lorsque vous travaillez autour du ventilateur ou lorsque vous le nettoyez.
8. Les schémas électriques ne sont donnés qu'à titre indicatif Les kits d'éclairage qui ne sont pas emballés avec le ventilateur doivent être répertoriés UL et marqués comme convenant au modèle de ventilateur que vous installez. Les interrupteurs doivent être des interrupteurs à usage général UL. Reportez-vous aux instructions emballées avec les kits d'éclairage et les interrupteurs pour un assemblage correct.
9. Après avoir effectué les connexions électriques, les conducteurs épissés doivent être tournés vers le haut et poussés avec précaution dans la boîte de sortie. Les fils doivent être écartés avec le conducteur mis à la terre et le conducteur de mise à la terre de l'équipement d'un côté de la boîte de sortie.
10. Toutes les vis de pression doivent être vérifiées et resserrées si nécessaire avant l'installation.



**AVERTISSEMENT:** pour réduire les risques de blessures, ne pliez pas les supports de pales (également appelés brides) pendant l'assemblage ou après l'installation et n'insérez pas d'objets dans la trajectoire des pales.



**AVERTISSEMENT:** Retirez les butées en caoutchouc du moteur situées au bas du ventilateur avant d'installer les pales ou de tester le moteur.



**AVERTISSEMENT:** Pour réduire les risques d'incendie ou d'électrocution, n'utilisez pas ce ventilateur avec un dispositif de contrôle de vitesse à semi-conducteurs.



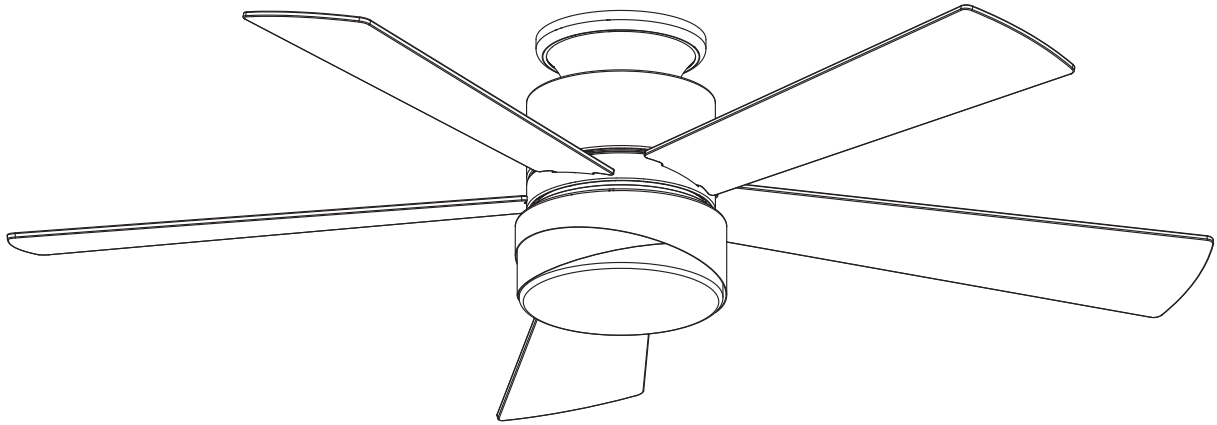
**AVERTISSEMENT:** Pour éviter tout risque de choc électrique, coupez l'électricité au niveau de la boîte à fusibles principale avant de procéder au câblage. Si vous pensez ne pas avoir suffisamment de connaissances ou d'expérience en matière de câblage électrique, contactez un électricien agréé.



**AVERTISSEMENT:** Les schémas électriques ne sont donnés qu'à titre indicatif. L'utilisation facultative de tout kit d'éclairage doit être répertorié UL et marqué comme convenant à l'utilisation de ce ventilateur.



**AVERTISSEMENT:** Pour réduire les risques d'incendie, d'électrocution ou de blessures corporelles, installez l'appareil sur une boîte de sortie portant la mention «Acceptable pour un ventilateur supportant 35 lbs (15,9 kg) ou moins» et utilisez les vis fournies avec la boîte de sortie.



### MERCI POUR VOTRE ACHAT

Merci d'avoir acheté ce produit de qualité. Pour garantir le bon fonctionnement et la sécurité, veuillez lire et conserver toutes les instructions avant d'utiliser le produit

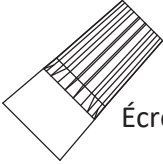
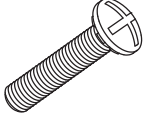
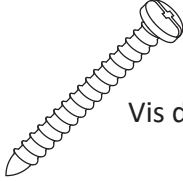
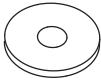

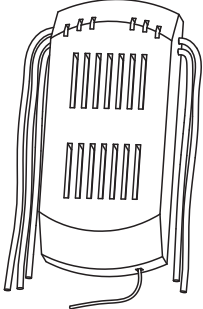
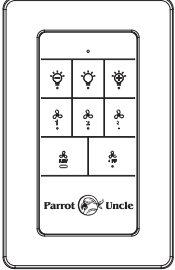
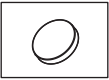


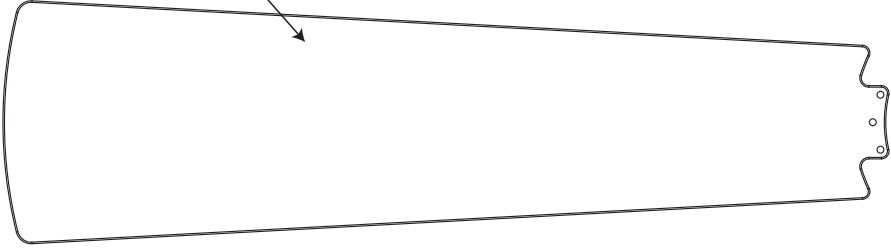
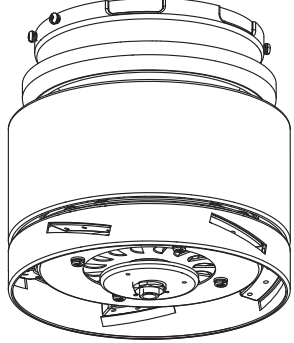
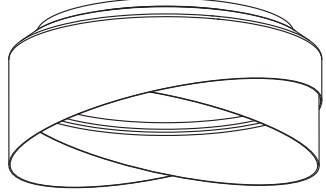
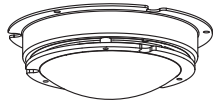
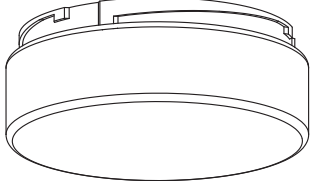
### CONSEIL DE SÉCURITÉ

1. Pour éviter tout risque d'électrocution, coupez l'électricité au niveau de la boîte à fusibles principale ou du panneau de circuits avant de commencer l'installation du ventilateur ou avant de réparer le ventilateur ou d'installer des accessoires.
2. Lisez attentivement toutes les instructions et informations de sécurité avant d'installer votre ventilateur et conservez ces instructions.
3. Assurez-vous que toutes les connexions électriques sont conformes aux codes ou ordonnances locaux et au Code national de l'électricité. Si vous n'êtes pas familier avec le câblage électrique, veuillez faire appel à un électricien qualifié et agréé.
4. Assurez-vous que vous avez sélectionné un emplacement pour votre ventilateur qui laisse un espace libre pour la rotation des pales et au moins sept (7) pieds d'espace entre le sol et les pointes des pales du ventilateur. Le ventilateur doit être monté à au moins trente (30) pouces des murs ou d'autres structures verticales.
5. **AVERTISSEMENT:** La boîte de sortie et le support de plafond utilisé doivent être solidement fixés et capables de supporter au moins 100 livres. Pour réduire les risques d'incendie, d'électrocution ou de blessure, le montage doit se faire sur la boîte de sortie indiquée comme acceptable pour le ventilateur et utiliser les vis de montage fournies avec la boîte de sortie. La boîte doit être soutenue directement par la structure du bâtiment.
6. **AVERTISSEMENT:** Pour réduire les risques d'incendie, d'électrocution ou de blessure, monter l'appareil sur une boîte de sortie marquée "acceptable pour le support du ventilateur" et utiliser les vis de montage fournies avec la boîte de sortie. La plupart des boîtes de sortie couramment utilisées pour le support des appareils d'éclairage ne sont pas acceptables pour le support du ventilateur et peuvent devoir être remplacées. En cas de doute, consulter un électricien qualifié.
7. Les schémas électriques sont fournis à titre de référence uniquement. Les kits d'éclairage qui ne sont pas fournis avec le ventilateur doivent être homologués UL et marqués comme convenant au modèle de ventilateur que vous installez. Les interrupteurs doivent être des interrupteurs à usage général UL. Reportez-vous aux instructions fournies avec les kits d'éclairage et les interrupteurs pour un assemblage correct.
8. Une fois l'installation terminée, vérifiez que toutes les connexions sont absolument sécurisées.
9. Après avoir effectué les connexions électriques, les conducteurs épissés doivent être tournés vers le haut et poussés avec précaution dans la boîte de sortie. Les fils doivent être écartés avec le conducteur mis à la terre et le conducteur de mise à la terre de l'équipement d'un côté de la boîte de sortie.
10. **AVERTISSEMENT:** Pour réduire le risque d'électrocution et d'incendie, n'utilisez pas ce ventilateur avec un dispositif de contrôle de la vitesse du ventilateur à semi-conducteurs ou un rhéostat.
11. Ne séparez pas l'inverseur tant que le ventilateur ne s'est pas complètement arrêté.
12. N'insérez rien dans les pales du ventilateur pendant qu'elles tournent.
13. **AVERTISSEMENT:** Pour réduire le risque de blessure, ne pliez pas les supports de lame (également appelés « brides ») pendant l'assemblage ou après l'installation. N'insérez pas d'objets dans la trajectoire des lames.
14. Pour éviter de vous blesser ou d'endommager le ventilateur et d'autres éléments, soyez prudent lorsque vous travaillez autour ou nettoyez le ventilateur.
15. N'utilisez pas d'eau ou de détergent pour nettoyer le ventilateur ou les pales du ventilateur. Un chiffon à poussière sec ou un chiffon légèrement humide conviendra pour la plupart des nettoyages.

**REMARQUE:** Les consignes de sécurité importantes et les instructions apparaissant dans le manuel ne sont pas destinées à couvrir toutes les conditions et situations possibles qui peuvent se produire. Il faut comprendre que le bon sens et la prudence sont des facteurs nécessaires dans l'installation et le fonctionnement de ce ventilateur.

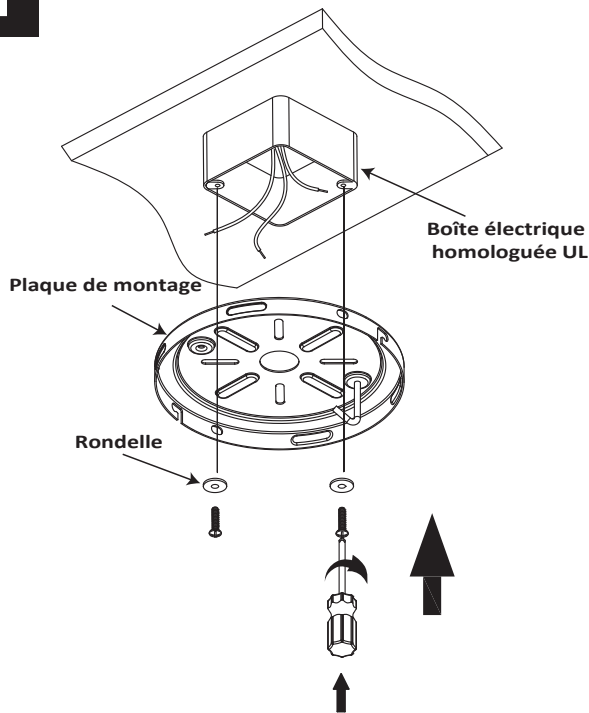
**REMARQUE:** Ce produit n'est pas destiné à être utilisé par des personnes (y compris des enfants) dont les capacités physiques, sensorielles ou mentales sont réduites ou qui manquent d'expérience ou de connaissances, à moins que ces personnes ne soient supervisées ou formées à l'utilisation de l'appareil par une personne responsable de leur sécurité.

**REMARQUE:** Les enfants doivent être surveillés pour s'assurer qu'ils n'utilisent pas les appareils comme un jouet.

 <p>Écrou pour fil en plastique (4PCS)</p>  <p>Vis (2PCS)</p>	 <p>Vis de montage (2PCS)</p>  <p>Rondelle (2PCS)</p>	 <p>Tornillo de la cuchilla (16PCS)</p>
 <p>TÉLÉCOMMANDE (1 PCS)</p> 	<p>⚡ x 2</p> <p>⚡ x 2</p>   <p>x6</p>	<p>Plaque de plafond</p> 
<p>Lames (5PCS)</p> 	<p>Assemblage du moteur</p>  <p>Boîtier d'interrupteur</p>  <p>Kit d'éclairage</p>  <p>Abat-jour</p> 	

**Veuillez vérifier si les accessoires ci-dessus sont terminés ou non ? Oui, et installez.**

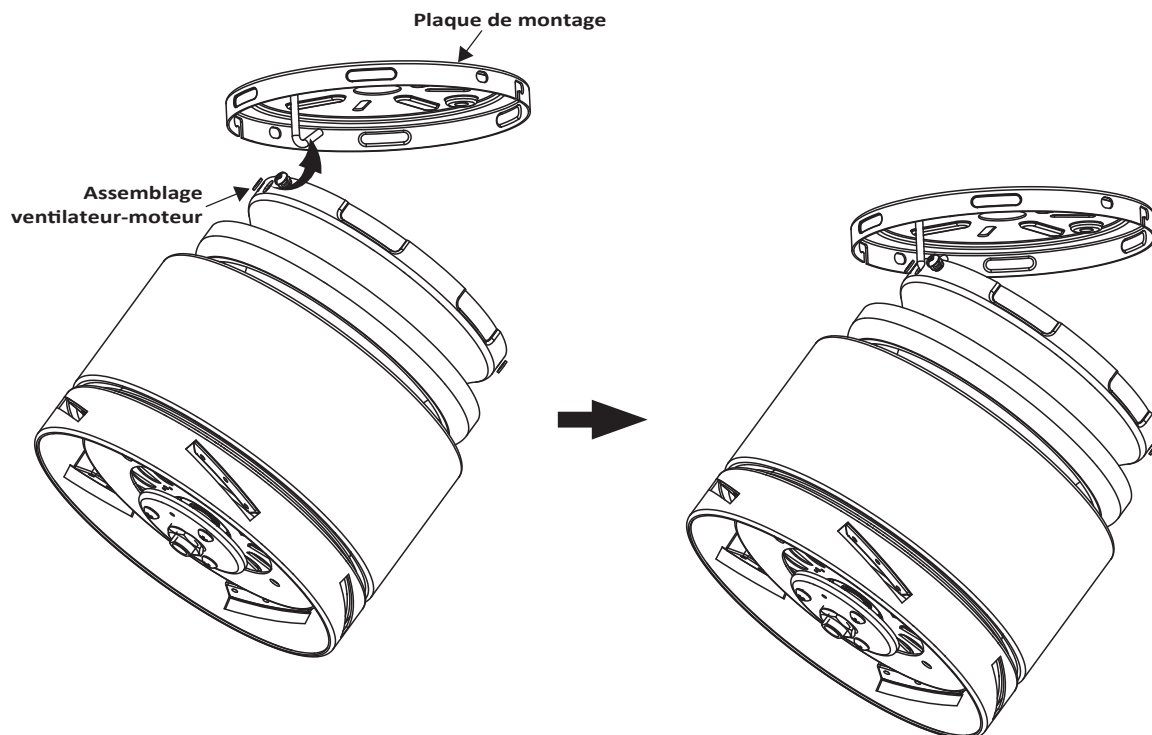
1



Vérifier la boîte de sortie existante (non fournie) pour s'assurer qu'elle est solidement fixée à au moins deux points d'un élément structurel du plafond et qu'elle peut supporter tout le poids du ventilateur. Une fois cette vérification effectuée, installez la plaque de plafond sur la boîte de sortie à l'aide des vis et des rondelles fournies.

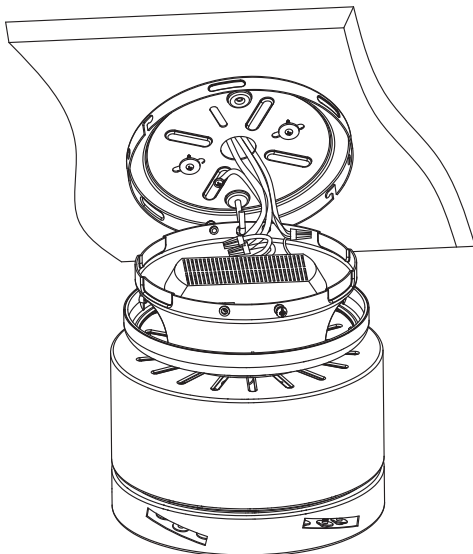
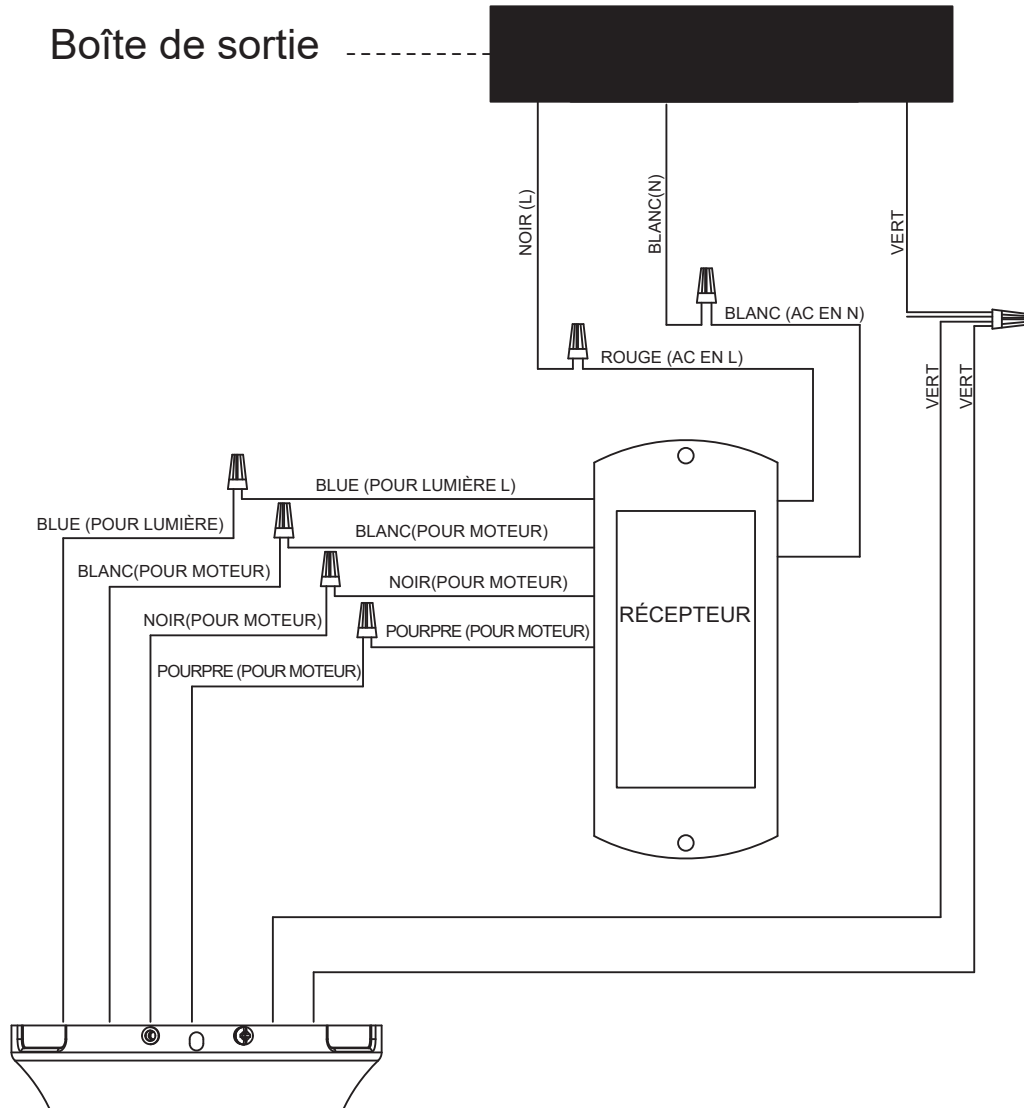
**DANGER:** Une boîte de sortie mal fixée peut faire vaciller le ventilateur et augmenter son potentiel de chute, ce qui peut entraîner des blessures graves ou mortelles.

2



Accrochez le moteur au support de plafond en utilisant le crochet du support de plafond et la boucle du câble du moteur, comme indiqué.

Boîte de sortie



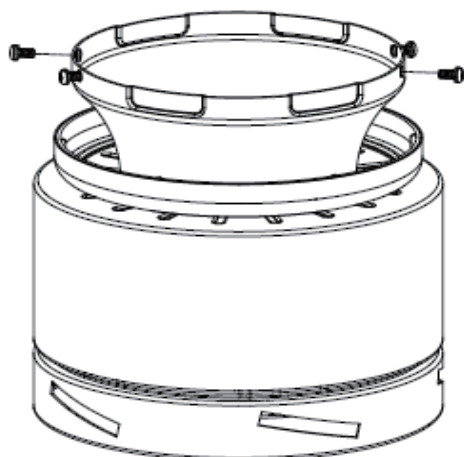
Une fois les connexions effectuées, placez les fils blanc et vert d'un côté et les fils noirs de l'autre, la connexion doit être tournée vers le haut et poussez soigneusement les fils dans la boîte de sortie.

Les fils doivent être écartés avec le conducteur de mise à la terre et le conducteur de mise à la terre de l'équipement d'un côté de la boîte de sortie et le conducteur non relié à la terre de l'autre côté.

LA LUMIÈRE DOIT ÊTRE MAINTENUE EN POSITION ALLUMÉE  
LE VENTILATEUR DOIT ÊTRE MAINTENU EN POSITION HAUTE

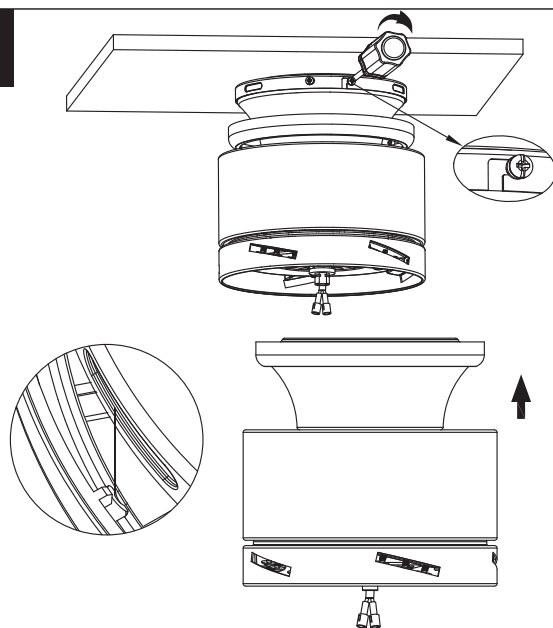


**3**



Retirez et conservez les deux vis opposées de l'ensemble moteur, puis desserrez les deux vis restantes.

**4**



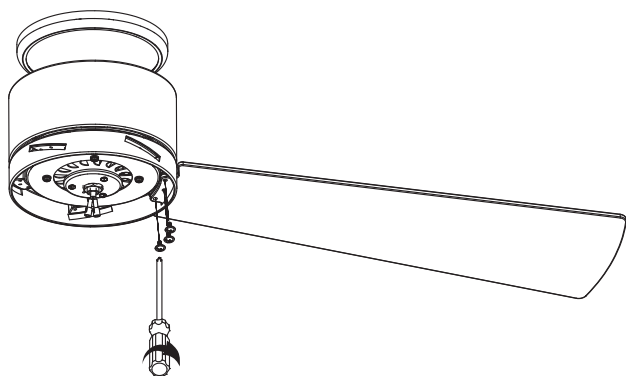
Suspendez le moteur comme indiqué.

Assurez-vous que les fils d'alimentation électrique, y compris le fil de mise à la terre du support de plafond, passent par le trou central du support de plafond, entre le support de plafond et le moteur, afin que les connexions électriques puissent être effectuées ultérieurement.

Assemblez le moteur au support de plafond à l'aide des vis retirées précédemment et serrez bien toutes les vis.

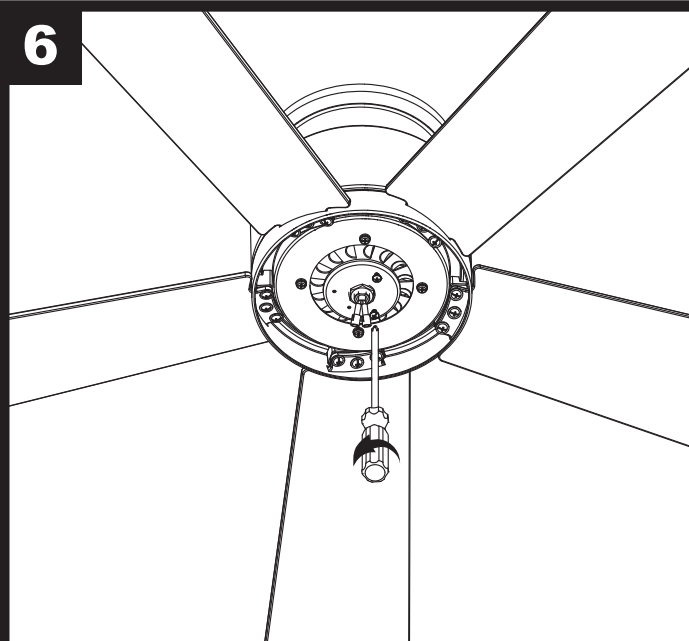
Poussez l'anneau de garniture de l'auvent vers le haut pour dissimuler les vis, de sorte que les languettes de montage s'insèrent dans les rainures du support de plafond, à mi-chemin entre les vis.

**5**



Faites glisser les pales dans les fentes du boîtier du moteur et fixez-les au moyeu du moteur à l'aide des vis des pales. Assurez-vous que les vis qui fixent les pales au moyeu du moteur sont bien serrées et qu'elles sont bien en place.

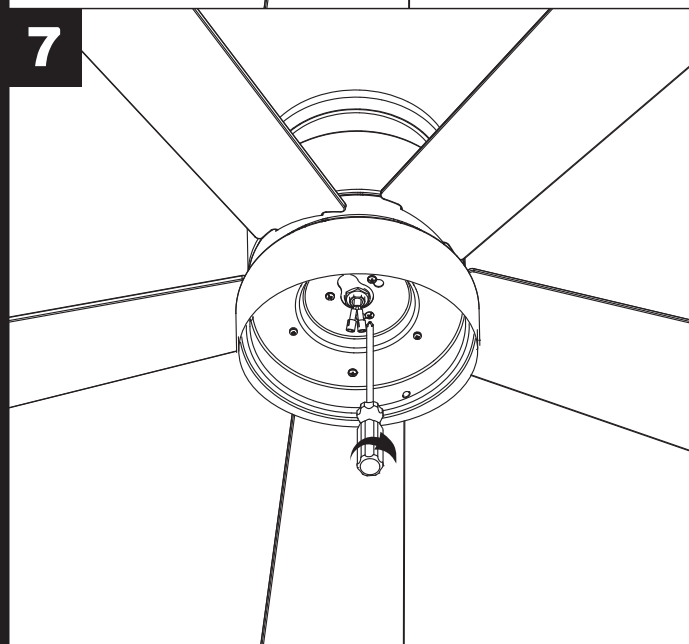
6



Retirez l'une des trois vis du support situé au bas de l'ensemble du moteur.

Conservez la vis pour plus tard et desserrez légèrement les deux autres vis.

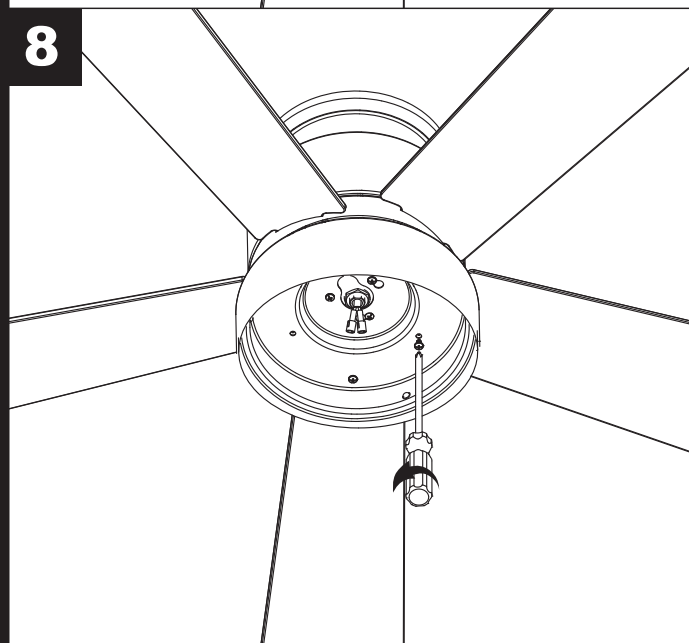
7



Assembler le boîtier de l'interrupteur au support en utilisant les deux fentes du boîtier de l'interrupteur.

Remplacez la vis précédemment retirée et serrez fermement les trois vis.

8

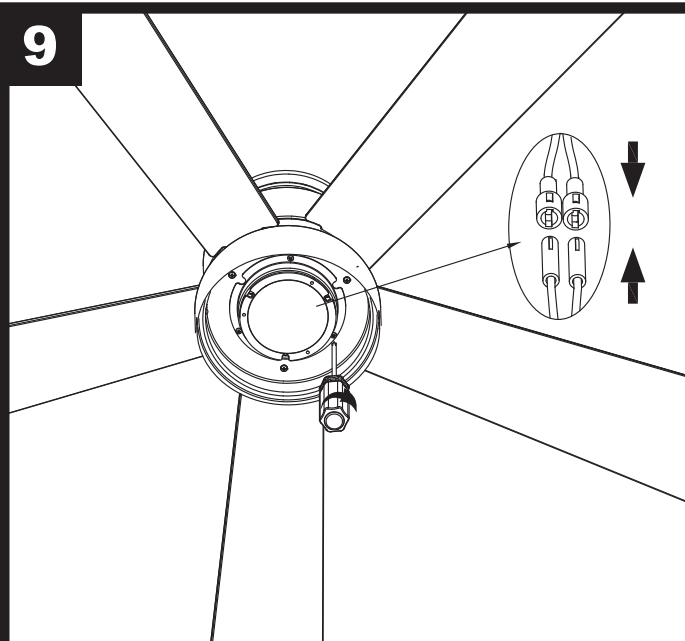


Retirez l'une des trois vis du boîtier de l'interrupteur.

Conservez la vis pour plus tard et desserrez légèrement les deux autres vis.

**VERTISSEMENT: COUPER L'ALIMENTATION AU FUSIBLE OU AU DISJONCTEUR**

9

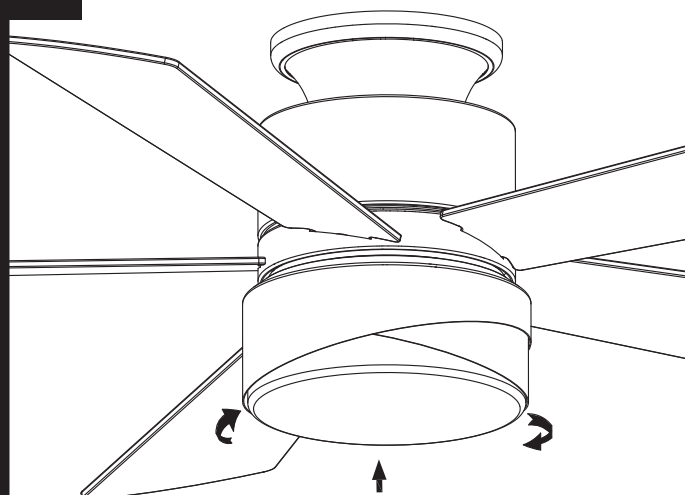


Connecter les 2 connecteurs à simple broche du kit d'éclairage aux 2 connecteurs à simple broche de l'assemblage du moteur.

Assembler le kit d'éclairage au boîtier de l'interrupteur en utilisant les deux fentes de la clé. Remplacer la vis retirée et fixer les trois vis.

Remplacer la vis retirée et fixer les trois vis.

10

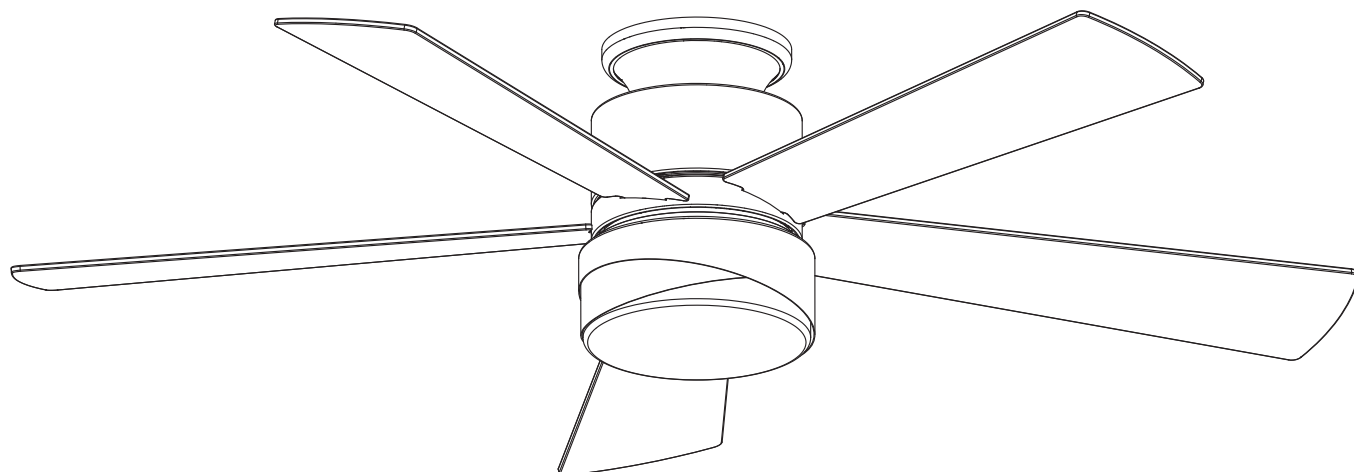


Fixez l'abat-jour au boîtier de l'interrupteur en le tournant dans le sens des aiguilles d'une montre.

Tournez progressivement l'abat-jour jusqu'à ce qu'il s'enclenche dans le boîtier de l'interrupteur.

Ne pas trop serrer.

Structure complète



### APP Connexion du Contrôle

1. Recherchez et téléchargez d'abord l'application gratuite ParrotUncle Smart sur l'App Store ou Google Play ou scannez le QR Code ci-dessous.
2. Ouvrez l'application ParrotUncle Smart pour créer votre compte.  
Le compte «ParrotUncle Smart» peut être enregistré par e-mail ou par téléphone mobile.
3. Connectez l'appareil à l'application ParrotUncle Smart (WIFI&Bluetooth activés):
  - a. Appuyez sur le bouton «+» dans la liste des appareils.
  - b. Appuyez sur «Auto Scan» en haut.
  - c. Attendez que l'appareil apparaisse et appuyez sur «Suivant».
  - d. Appuyez sur le bouton «+» pour ajouter un appareil.
  - e. Connectez-vous au réseau WIFI de votre domicile.
  - f. Attendez la connexion.
4. Connectez l'appareil à l'Alexa:
  - a. Assurez-vous que vous avez connecté l'appareil à l'application et qu'il fonctionne normalement.
  - b. Ouvrez l'application Alexa, allez dans la compétence pour rechercher la compétence «ParrotUncle Smart».
  - c. Liez la compétence, connectez-vous avec votre compte ParrotUncle Smart et votre mot de passe, puis autorisez et connectez-vous à l'application ParrotUncle Smart.
  - d. Alexa trouvera alors automatiquement l'appareil.
5. Connectez l'appareil au Google Home:
  - a. Assurez-vous que vous avez connecté l'appareil à l'application et qu'il fonctionne normalement.
  - b. Ouvrez l'application Google Home, configurez un appareil et choisissez «Works with Google».
  - c. Recherchez «ParrotUncle Smart», connectez-vous avec votre compte et votre mot de passe de l'application ParrotUncle Smart, puis autorisez et connectez-vous à l'application ParrotUncle Smart.
  - d. L'assistant Google trouvera alors automatiquement l'appareil.



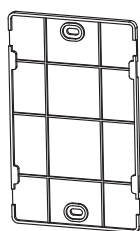
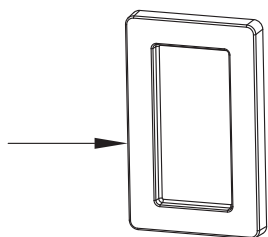
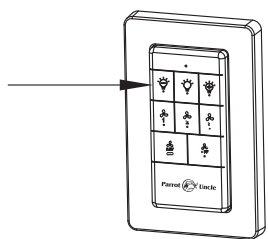
### Comment réinitialiser les paramètres réseau d'un ventilateur de plafond?

- a. Éteignez le ventilateur
- b. Allumez le ventilateur, appuyez sur le bouton d'arrêt de la télécommande et maintenez-le enfoncé pendant 30 secondes
- c. Le clignotement de la lumière indique que la réinitialisation des paramètres du réseau a réussi
- d. Vous pouvez maintenant utiliser l'application pour reconnecter l'appareil

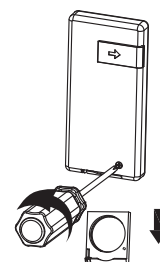
Si vous avez besoin d'aide, visitez le site <https://faq.parrotuncle.com> ou scannez ce code QR pour regarder la vidéo.



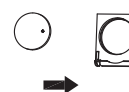
1



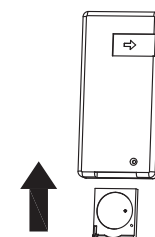
4



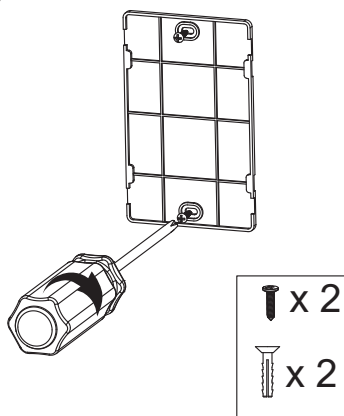
5



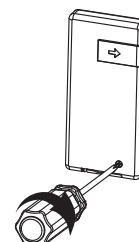
6



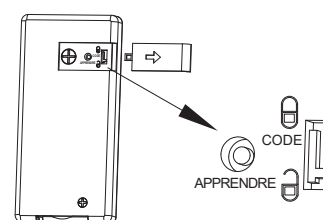
2



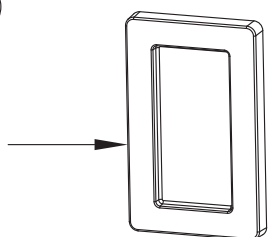
7



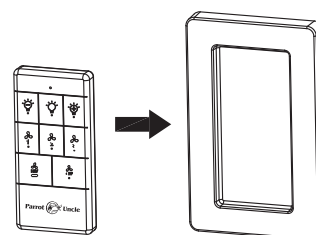
8



3



9



## Télécommande

### INSTRUCTION D'INSTALLATION ET D'UTILISATION

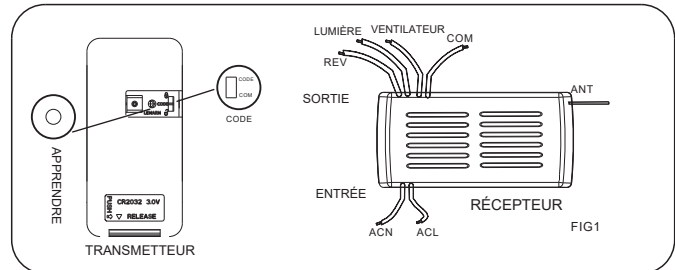
#### 1. INSTALLATION DU RÉCEPTEUR DANS LE VENTILATEUR DE PLAFOND

##### A. Précautions de sécurité

**AVERTISSEMENT: HAUTE TENSION !** Déconnecter l'alimentation en retirant le fusible ou en coupant le disjoncteur. Ne pas utiliser avec des ventilateurs à semi-conducteurs. Les fils électriques doivent être conformes à toutes les exigences des codes électriques locaux et nationaux. L'alimentation du ventilateur doit être de 110/120 volts, 60 Hz. Ampères maximums du moteur du ventilateur : 1,0, Watts maximums de l'éclairage: 180 incandescents ou ballast et LED. Dans le cas contraire, l'alimentation peut provoquer des blessures graves, voire mortelles.

##### B. Installation du récepteur dans le ventilateur:

- Coupez l'alimentation du circuit.
- Retirez l'auvent du ventilateur de plafond du support de montage.
- Débranchez le câblage existant entre le ventilateur de plafond et l'alimentation dans la boîte de jonction électrique.
- Effectuez les connexions comme suit, en utilisant les écrous de fil fournis:



**ATTENTION: L'angle Du Plafond Ne Doit Pas Dépasser 30 Degrés, Pour Le Contrôleur de Montage, Modèle RE-028W**

#### CONNECT TO Fil

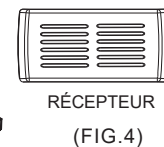
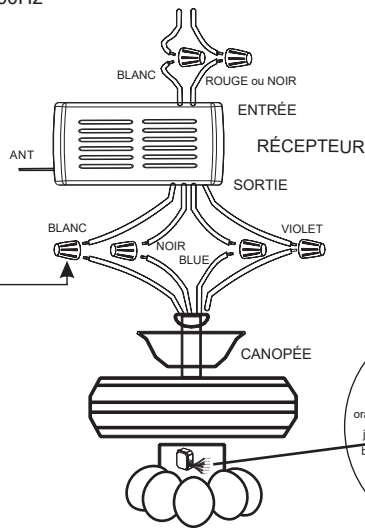
Fil vert du ventilateur ....Fil d'alimentation à nu  
Fil rouge ou noir récepteur (AC EN L)....Fil rouge ou noir d'alimentation  
Fil blanc du récepteur (AC EN N)....Fil blanc d'alimentation  
Fil blanc du récepteur (AU MOTEUR N)....Fil blanc de ventilateur  
Fil noir du récepteur (AU MOTEUR L)....Fil noir de ventilateur  
Fil bleu du récepteur (POUR LA LUMIÈRE) ....Fil bleu de lumière  
Fil violet du récepteur (POUR LE REV) ....Fil violet d'inversion

DEPUIS UNE SOURCE D'ALIMENTATION AC 110- 120 VOLT 60Hz 3.5AMPS.

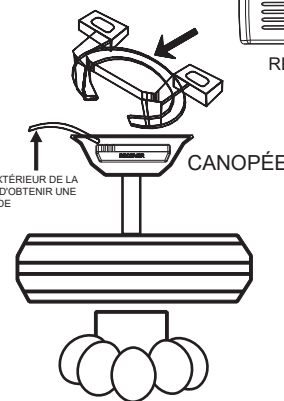
Utilisez les écrous de raccordement fournis avec le ventilateur (FIG.3)

Utilisez les écrous de connexion des fils fournis avec la télécommande.

ÉCROU DE FIL



L'ANTENNE PLACÉE À L'EXTÉRIEUR DE LA BOÎTE D'AUVENT PERMET D'OBTENIR UNE PLUS GRANDE DISTANCE DE FONCTIONNEMENT.



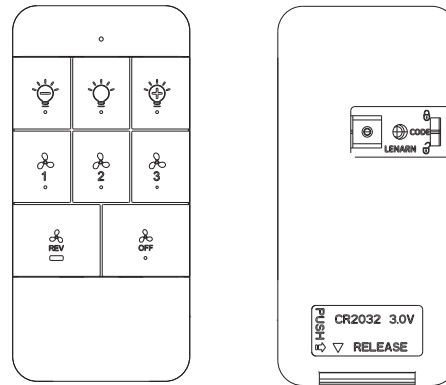
Si d'autres ventilateurs ou fils d'alimentation sont de couleur différente, faites installer cette unité par un électricien qualifié et agréé.

- Poussez tous les fils connectés vers le haut dans la boîte de jonction.
- Posez le fil d'antenne marron sur le récepteur, et placez le récepteur dans le support de montage.
- Réinstallez l'auvent sur le support de montage.
- Rétablissez l'alimentation.
- Installez une batterie de 1,5 volt (non incluse). (Pour éviter d'endommager l'émetteur, retirez la batterie si vous ne l'utilisez pas pendant une longue période).
- Rangez l'émetteur à l'abri d'une chaleur ou d'une humidité excessive.
- Cette télécommande est équipée de combinaisons de codes à rouleau. Afin d'éviter toute interférence possible avec d'autres unités à distance telles que des ouvreurs de porte de garage, des alarmes de voiture ou des systèmes de sécurité. Si vous constatez que votre ventilateur et votre kit d'éclairage s'allument et s'éteignent sans l'aide de votre télécommande, il suffit de modifier la combinaison de codes de votre émetteur et de votre récepteur.

### 2. UTILISATION DE L'ÉMETTEUR:

Actionner les boutons du panneau de l'émetteur.  
 Touche 3 - pour la vitesse élevée du ventilateur.  
 Touche 2 pour la vitesse moyenne du ventilateur.  
 Touche 1 - pour la petite vitesse du ventilateur.  
 Touche ARRÊT pour l'arrêt du ventilateur.  
 Touche REV-pour l'inversion du ventilateur.  
 Touche LUMIÈRE pour l'allumage et l'extinction de la lumière.  
 Touche LUMIÈRE+ pour le variateur de lumière +.  
 Touche LUMIÈRE- pour le variateur de lumière -.

MODÈLE:  
RE-021

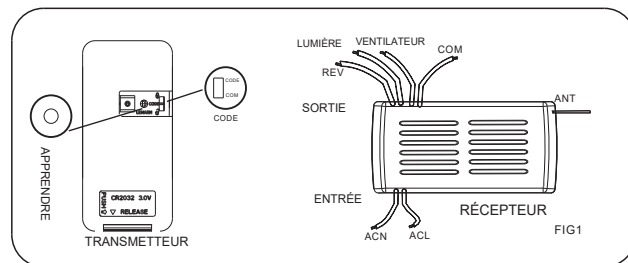


DISTANCE DE FONCTIONNEMENT 20 PIEDS

VOTRE TÉLÉCOMMANDE A MAINTENANT LE CONTRÔLE TOTAL DU VENTILATEUR ET DE LA LUMIÈRE.

### 3. GUIDE DE DÉPANNAGE

- Alimentation du récepteur?
- Le récepteur est-il correctement câblé?
- La commande manuelle de vitesse du ventilateur est sur la position la plus élevée?
- L'interrupteur du kit d'éclairage est allumé?
- La batterie de l'émetteur est en bon état?



Si deux ventilateurs de plafond ou plus sont installés dans la même maison, afin d'éviter que vos ventilateurs de plafond soient affectés par la télécommande des ventilateurs de plafond adjacents, tournez d'abord l'interrupteur de chaque émetteur de télécommande sur la position CODE(verrouillé) (voir le schéma FIG1) Remarques : L'état standard de l'émetteur est le code commun COM.

(La mise hors tension signifie que vous devez utiliser un interrupteur mural pour couper l'alimentation du ventilateur de plafond, si vous n'avez pas d'interrupteur mural, veuillez mettre toute la pièce hors tension à partir du disjoncteur d'air de chaque pièce).

Après avoir installé le récepteur de télécommande sur le ventilateur de plafond

1 : Mettez le récepteur 1# du ventilateur de plafond sous tension (le récepteur 2# reste hors tension), dans les 30 secondes qui suivent la mise sous tension du ventilateur, appuyez sur la touche LEARN correspondant à l'émetteur 1#, puis le récepteur apprendra le code de l'émetteur. Lorsque le code de l'émetteur a été appris avec succès, la lumière des ventilateurs de plafond clignote deux fois, puis ils peuvent être utilisés normalement.

2 : Mettez le récepteur de ventilateur de plafond 2# sous tension (le récepteur 1# reste hors tension), dans les 30 secondes qui suivent la mise sous tension du ventilateur, appuyez sur la touche LEARN correspondant à l'émetteur 2#, puis le récepteur apprendra le code de l'émetteur. Lorsque le code de l'émetteur est appris avec succès, la lumière des ventilateurs de plafond clignote deux fois, puis ils peuvent être utilisés normalement.

Et ainsi de suite, un seul ventilateur de plafond est mis sous tension à chaque fois que l'émetteur correspondant apprend le code de l'émetteur.

#### Déclaration FCC:

1 Cet appareil est conforme à la partie 15 des règles de la FCC. Son utilisation est soumise aux deux conditions suivantes :

- (1) Cet appareil ne doit pas provoquer d'interférences nuisibles.
- (2) Cet appareil doit accepter toute interférence reçue, y compris les interférences susceptibles de provoquer un fonctionnement indésirable.

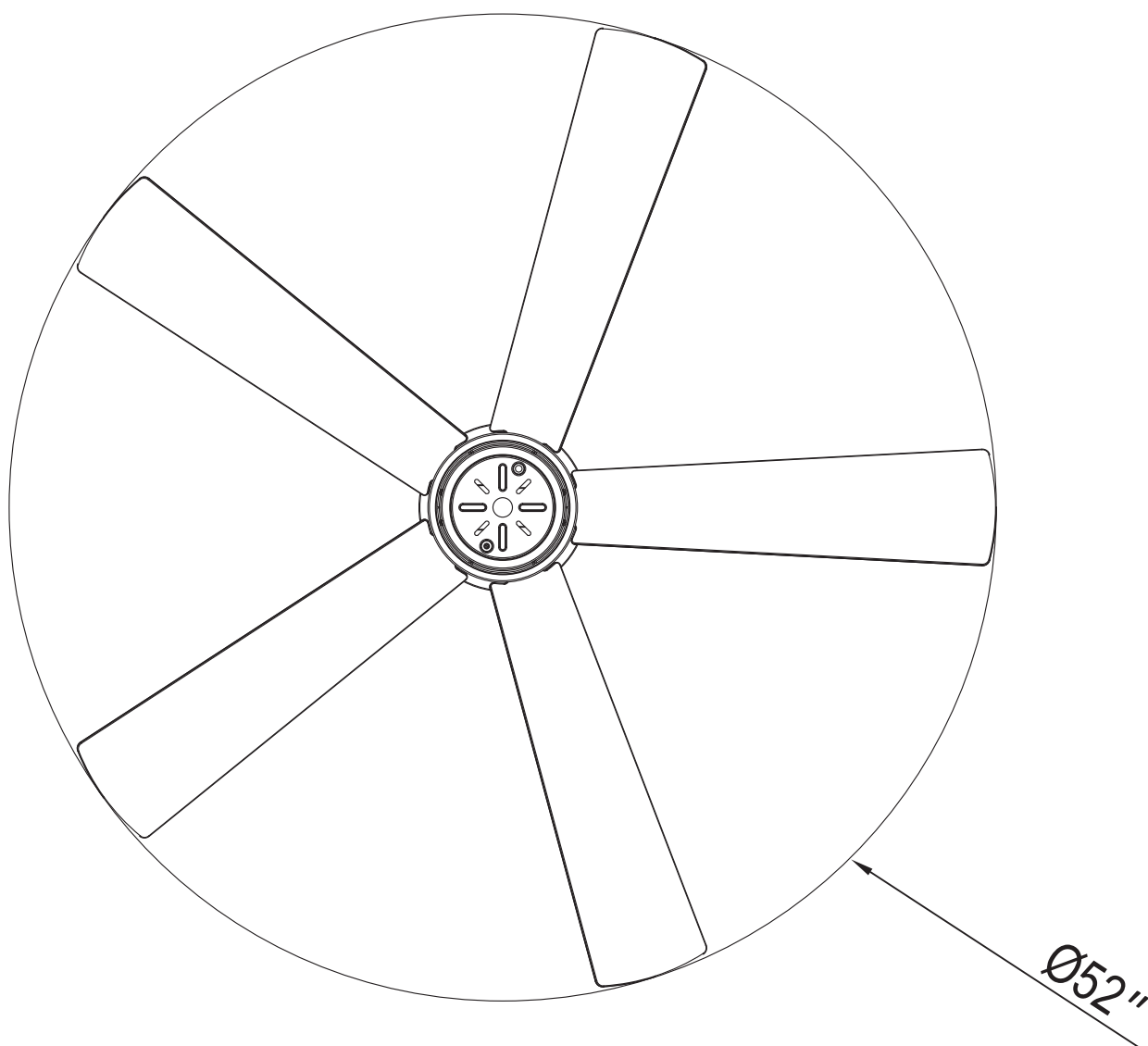
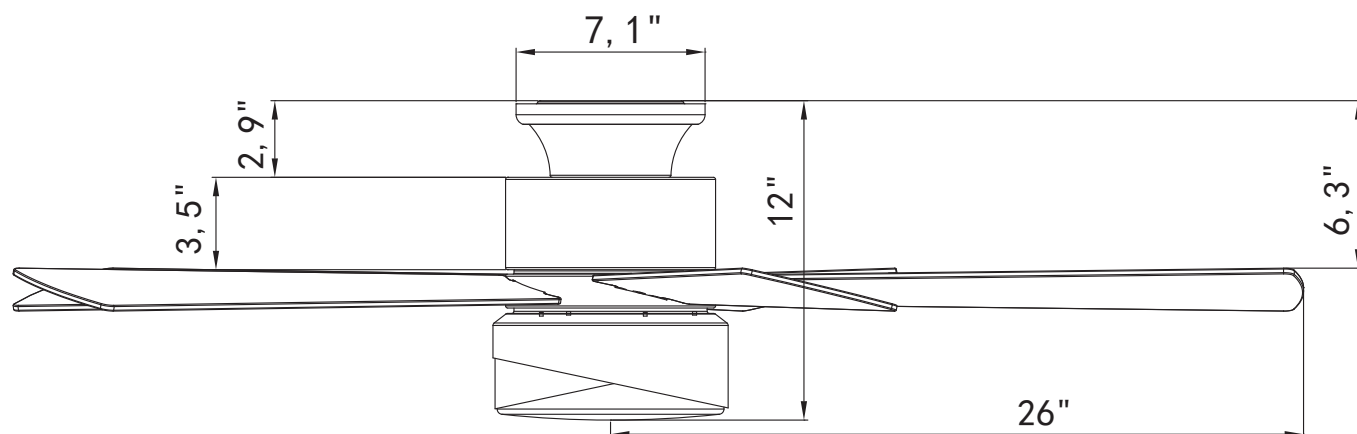
2. Les changements ou modifications non expressément approuvés par la partie responsable de la conformité peuvent annuler le droit de l'utilisateur à faire fonctionner l'équipement.

**REMARQUE:** Cet équipement a été testé et déclaré conforme aux limites imposées aux appareils numériques de classe B, conformément à la partie 15 du règlement de la FCC. Ces limites sont conçues pour fournir une protection raisonnable contre les interférences nuisibles dans une installation résidentielle. Cet équipement génère, utilise et peut émettre des fréquences radio et, s'il n'est pas installé et utilisé conformément aux instructions, il peut provoquer des interférences nuisibles aux communications radio, Cependant, il n'y a aucune garantie que des interférences ne se produiront pas dans une installation particulière. Si l'équipement provoque des interférences nuisibles à la réception de la radio ou de la télévision, ce qui peut être déterminé en éteignant et en allumant l'équipement, l'utilisateur est encouragé à essayer de corriger les interférences en prenant une ou plusieurs des mesures suivantes:

- Réorienter ou déplacer l'antenne de réception.
- Augmenter la distance entre l'équipement et le récepteur.
- Connecter l'équipement à une prise de courant sur un circuit différent de celui auquel le récepteur est connecté.
- Consulter le revendeur ou un technicien radio/télévision expérimenté pour obtenir de l'aide.

**AVERTISSEMENT:** POUR RÉDUIRE LE RISQUE D'ÉLECTROCUTION, CE VENTILATEUR DOIT ÊTRE INSTALLÉ AVEC UNE COMMANDE MURALE/UN INTERRUPTEUR.

### SIZE OF PRODUCT





# GUIDE DE DÉPANNAGE

## Table des matières

1. Le ventilateur / la télécommande ne fonctionne pas
2. Le ventilateur est bruyant
3. Le ventilateur oscille
4. La lumière ne fonctionne pas

*Veillez vous référer à la feuille d'instructions pour des instructions détaillées et des descriptions des étapes d'installation et des conditions requises.*

## 1. VENTILATEUR / LA TÉLÉCOMMANDE NE FONCTIONNE PAS

Assurez-vous que la télécommande se trouve dans le rayon d'action de 20 pieds du récepteur.

Pour réinitialiser la télécommande: 1) Coupez l'alimentation du ventilateur à l'aide de l'interrupteur mural ou du disjoncteur. 2) Retirez les piles de la télécommande. 3) Attendez 10 secondes. 4) Remettez les piles en place et mettez l'appareil sous tension.

Vérifiez que les piles sont en bon état et correctement orientées.

Vérifiez que les commutateurs de fréquence (commutateurs DIP) de la télécommande et du récepteur sont réglés sur la même fréquence.

Vérifiez les fusibles ou les disjoncteurs du circuit principal et des circuits de dérivation.

Si vous utilisez un interrupteur mural à vitesse variable, assurez-vous qu'il est spécifiquement conçu pour être utilisé avec un ventilateur de plafond.

Vérifiez les connexions des fils de ligne au ventilateur et les connexions des fils de l'interrupteur dans le boîtier de l'interrupteur conformément aux instructions.

Si le ventilateur ne fonctionne toujours pas, veuillez contacter le service clientèle [support@parrotuncle.com](mailto:support@parrotuncle.com).

## 2. LE VENTILATEUR EST BRUYANT

Vérifiez que toutes les vis du boîtier du moteur sont bien serrées.

Assurez-vous que les vis qui fixent les pales du ventilateur au moteur sont bien serrées.

Assurez-vous que les connecteurs des écrous à fils ne s'entrechoquent pas ou ne heurtent pas la paroi intérieure du boîtier de l'interrupteur.

Prévoyez une période de rodage de 24 heures. La plupart des bruits associés au nouveau ventilateur peuvent disparaître pendant cette période.

En cas d'utilisation d'un kit de plafonnier, s'assurer que la verrerie est bien fixée.

Veillez à ce qu'il y ait une courte distance entre le plafond et le haut de l'auvent. L'auvent ne doit pas toucher le plafond!

Assurez-vous que votre boîte de plafond est bien fixée et que les tampons isolants en caoutchouc sont utilisés entre le support de montage et la boîte de sortie.

### 3. LE VENTILATEUR OSCILLE

Vérifiez que toutes les pales et les vis de fixation des pales sont bien fixées (la plupart des problèmes d'oscillation du ventilateur sont dus à des pièces desserrées). Une fois le ventilateur correctement installé, faites fonctionner le ventilateur de plafond pendant 10 minutes pour qu'il s'ajuste de lui-même.

Si le ventilateur oscille encore après 10 minutes de fonctionnement, vérifiez le niveau des pales en procédant comme suit:

- a) choisissez un point au plafond au-dessus de l'extrémité de l'une des pales. Sélectionnez ensuite la pale du ventilateur et mesurez à partir du centre de la pale sélectionnée jusqu'au point du plafond. Faites tourner le ventilateur jusqu'à ce que la pale suivante soit positionnée et répétez la mesure en utilisant le même point du plafond pour chaque pale. Les mesures doivent se situer à 1/8 de pouce près.
  - b) Si tous les écarts sont inférieurs à 1/8 de pouce et que le ventilateur continue à osciller, veuillez contacter le service clientèle [support@parrotuncle.com](mailto:support@parrotuncle.com) pour commander un kit d'équilibrage des pales gratuit.
- Si tous les écarts sont inférieurs à 1/8 de pouce et que le ventilateur continue à osciller, veuillez contacter le service clientèle [support@parrotuncle.com](mailto:support@parrotuncle.com) pour commander un kit gratuit d'équilibrage des pales.

### 4.LA LUMIÈRE NE FONCTIONNE PAS

Connexions électriques desserrées

Coupez l'électricité du circuit de dérivation au niveau de la boîte à fusibles ou du panneau de disjoncteurs et vérifiez que les connecteurs électriques de l'ensemble du luminaire à DEL sont correctement installés.

Pour réinitialiser la télécommande: 1) Couper l'alimentation du ventilateur à l'aide de l'interrupteur mural ou du disjoncteur. 2) Retirer les piles de la télécommande. 3) Attendez 10 secondes. 4) Remplacer les piles et remettre l'appareil sous tension

### APRÈS L'INSTALLATION

#### Oscillation

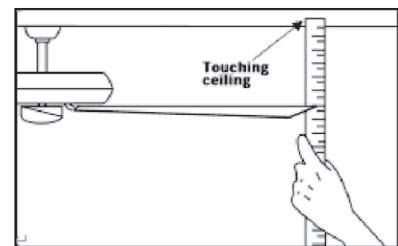
Les pales du ventilateur ont été réglées en usine pour minimiser les oscillations.

Remarque: les ventilateurs de plafond ont tendance à bouger pendant leur fonctionnement, car ils sont montés sur un œillet en caoutchouc. Si le ventilateur était monté de manière rigide au plafond, il provoquerait des vibrations excessives. Un mouvement de quelques centimètres est tout à fait acceptable et ne pose aucun problème pour réduire l'oscillation du ventilateur: Veuillez vérifier que toutes les vis qui fixent le support de montage et la tige de descente sont bien serrées.

Équilibrer un ventilateur de plafond qui oscille :

1. Vérifiez que toutes les vis des pales et du bras de pale sont bien fixées.

2. La plupart des problèmes d'oscillation des ventilateurs sont causés lorsque les niveaux des pales sont inégaux. Vérifiez ce niveau en choisissant un point au plafond au-dessus de la pointe de l'une des lames. Mesurez cette distance. Faites pivoter le ventilateur jusqu'à ce que la pale suivante soit positionnée pour la mesure. Répétez l'opération pour chaque lame. L'écart de distance doit être égal à  $1/8$  (0,32 cm).



3. Si l'oscillation de la lame est toujours perceptible, l'interchangement de deux lames adjacentes (côte à côte) peut redistribuer le poids et éventuellement permettre un fonctionnement plus régulier.

4. Avertissement: Pour réduire les risques de blessures, ne pliez pas le bras de pale lors de l'installation, de l'équilibrage des pales ou du nettoyage du ventilateur. N'insérez pas d'objets étrangers entre les pales du ventilateur en rotation.

#### Bruit

Par temps calme (en particulier la nuit), vous pouvez entendre de petits bruits occasionnels. C'est normal. Prévoyez une période de rodage de 24 heures. La plupart des bruits associés à un nouveau ventilateur disparaissent pendant cette période.

#### Entretien et nettoyage

1. Le nettoyage périodique de votre ventilateur de plafond est le seul entretien nécessaire. Utilisez une brosse douce ou un chiffon non pelucheux pour éviter de rayer la peinture. Veillez à éteindre l'électricité avant de nettoyer votre ventilateur.
2. N'utilisez pas d'eau pour nettoyer votre ventilateur de plafond. Cela pourrait endommager le moteur ou les pales et créer un risque d'électrocution.
3. Le moteur est équipé d'un roulement à billes lubrifié en permanence. Il n'est pas nécessaire de l'huiler.

Remarque: Assurez-vous que le courant est coupé au niveau du panneau électrique avant de procéder à tout nettoyage ou réparation.

**Parrot  Uncle**