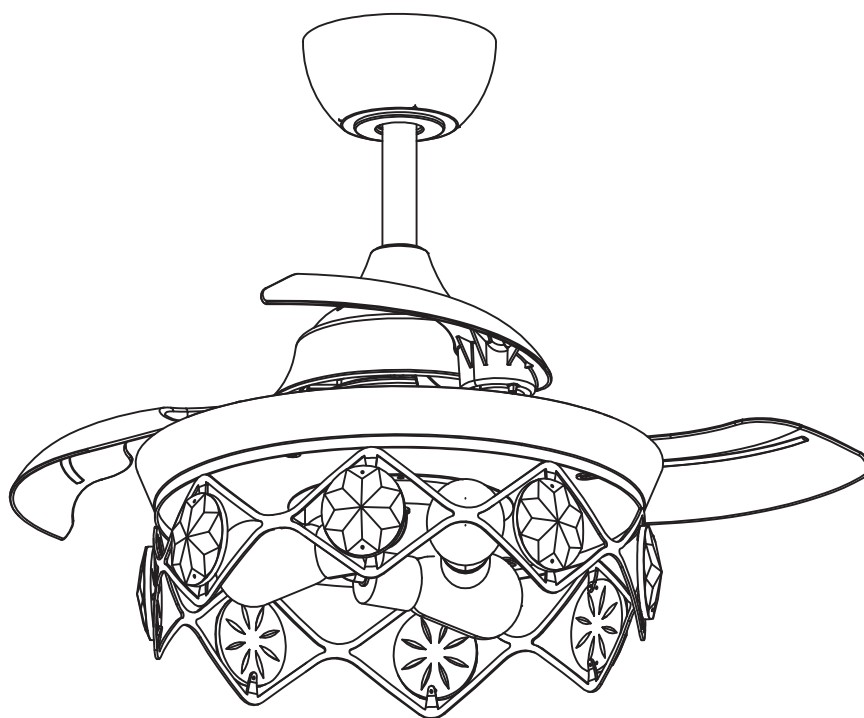




Parrot Uncle

F3531CH110V



English / Español / Français

www.parrotuncle.com



F3531CH110V

Installation & Operating Instructions for the Parrotuncle Owner's Installation ,Manual

WARNING: SHUT POWER OFF AT FUSE OR CIRCUIT BREAKER


Sicherheit information

1. To reduce the risk of an electrical blow, electricity on the protective switch or the safety box went out before starting.
2. All wiring must correspond to the NASI/NFPA 70-1999 National Electric Code and local electrical regulations. The electrical installation must be carried out by a qualified and approved electrician.
3. The connection box and support construction must be assembled safely and 35 pounds (15.9 kilos) must be able to transport reliably. Use only output boxes listed with labeling


"Accepted for fans with a weight of £ 35 (15.9 kilos) or less."

4. The fan must be installed with a minimum distance of 2.1 m (7 feet) from the posterior edge of the wings to the floor.
5. Do not operate the reverse switch if the fan wings are moving. You have to turn off the fan and stop the wings before reverse the direction of the wing.
6. Do not place objects on the road to wings.
7. To avoid lesions or damage to the fan and other objects, be careful if you work on the fan or clean it.
8. Electrical diagrams only serve as a reference. The lighting rates that are not delivered with the fan must be listed and marked with the valve model that will be installed for use. The switches must be general use switches UL. Take into account the instructions for the appropriate installation included in the lighting rates and the switches.
9. After the electrical connections have been made, the size staircase must be turned up and carefully push to the plug box. The cables must be distributed in such a way that the ground connected driver and the device head are next to the socket.


All fixing screws must be verified before installation and, if necessary, followed.




WARNING: To reduce the risk of injury, knife supports (also known as flanges) cannot be folded during installation or after installation. Do not put any object on the path of wings.




WARNING: Remove rubber motor attacks at the bottom of the fan before mounting the wings or try the engine.




WARNING: To avoid the risk of a fire or an electrical blow, this fan should not be used with a semiconductor speed controller.



WARNING: To avoid a possible electric shock, turn off the current in the main security box before wiring. If you feel that you do not have enough knowledge or experience in electrical wiring, communicate with a license electrician.



WARNING: Electrical diagrams only serve as a reference. The optional use of an lighting rate must be on the list and marked with this fan for use.



WARNING: To reduce the risk of fires, electrical discharges or injuries, assemble the device in a socket that with the inscription accepted for fans with a weight of £ 35) or less. It is marked and use the screws supplied with the plug.

TECHNICAL INFORMATION

SKU	Nominal voltage	Nominal output (motor)	light
F3531CH110V	110-120V AC	34W	3*E26 MAX. 25W (EXCLUDE)



Parrot Uncle

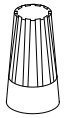
F3531CH110V

Installation & Operating Instructions for the Parrotuncle Owner's Installation ,Manual

WARNING: SHUT POWER OFF AT FUSE OR CIRCUIT BREAKER



Wood screws (4PCS)



Plastic wire nut (3PCS)



Screws for light (1PCS)



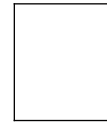
Mounting screws (2PCS)



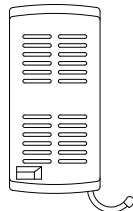
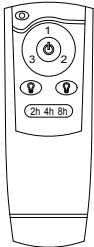
washer (2PCS)



spring washer (2PCS)



Balance tapes (2PCS)



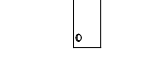
REMOTE CONTROL(1PCS)



Slide-on mounting bracket



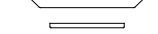
4"Ball/downrod assembly



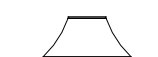
10"Ball/downrod assembly(standby)



Canopy



Canopy cover

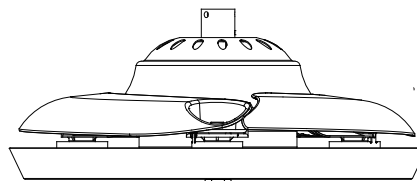


Coupling cover

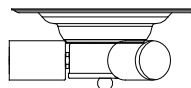
Hanging Pin



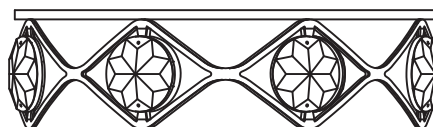
"R" Locking Pin



Fan-motor assembly



Light kit fitter assembly



light shade

Pls check whether above accessories are completed or not?Yes,and install.



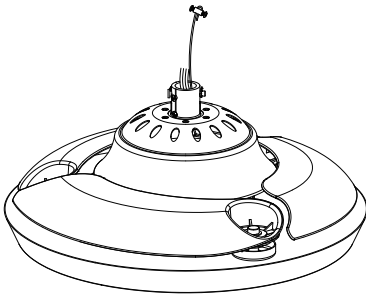
Parrot Uncle

F3531CH110V

Installation & Operating Instructions for the Parrotuncle Owner's Installation ,Manual

WARNING: SHUT POWER OFF AT FUSE OR CIRCUIT BREAKER

1



Take the finished F3531CH out of the packing box

2

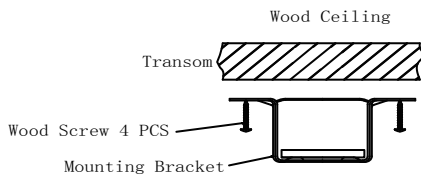
INSTALLING THE FAN:

Tools Required: Phillips screwdriver, pair of pliers, straight slot screwdriver, adjustable wrench, step ladder, and wire cutters.

INSTALLING THE MOUNTING BRACKET:

The ceiling fan must be installed in a location so that the blades are 12"(300mm) spacing from the tip of the blade to the nearest objects or walls. When hanging the Fan REMEMBER to turn off the power. Follow the instruction below to hang your fan properly:

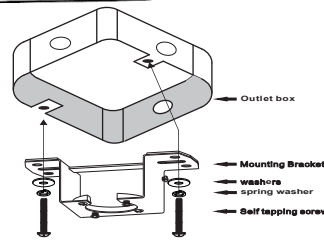
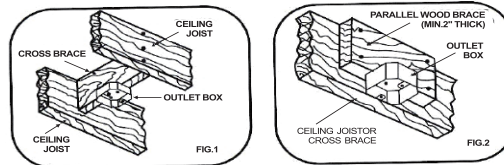
1. For wood ceiling, Secure the mounting bracket to the ceiling is capable of carrying a load of at least 100lbs(45kgs) with two long mounting screws and washers provided. Be sure at least 0.12"(30mm) of the screw is threaded into the support.



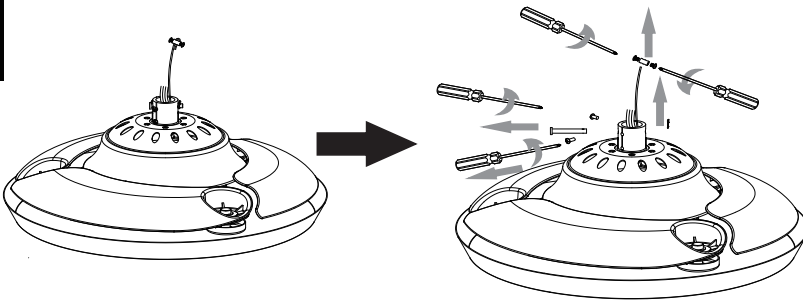
Note

Check whether it is securely installed.

2 .For installing to outlet box, secure the outlet box directly to the building structure. Use appropriate fasteners and building materials. The outlet box and its support must be able to fully support the moving weight of the fan(at least 100lbs). Use a UL listed metal outlet box. Do not use a plastic outlet box. Figure 1 & 2 examples to mount the outlet box.



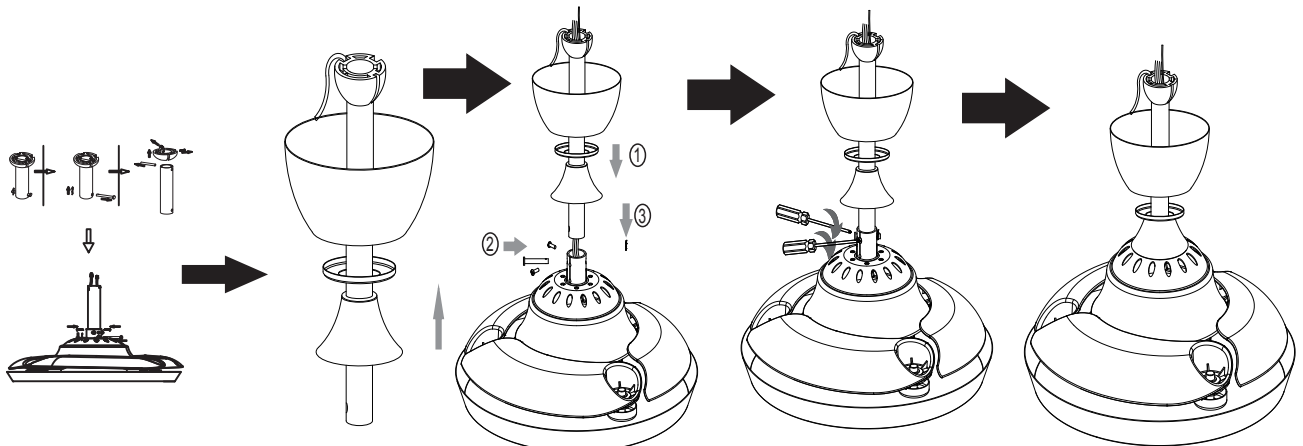
3



Use a Phillips screwdriver to loosen the screw in the direction of the arrow shown in the figure, and place the screw for subsequent installation

Phillips screwdriver

4



Phillips screwdriver

Install the suspension system components of the product as shown in the diagram



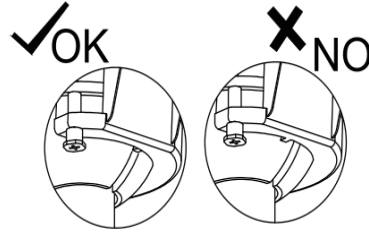
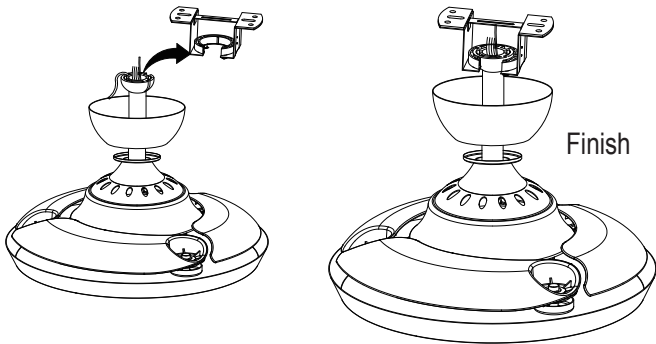
Parrot Uncle

F3531CH110V

Installation & Operating Instructions for the Parrotuncle Owner's Installation ,Manual

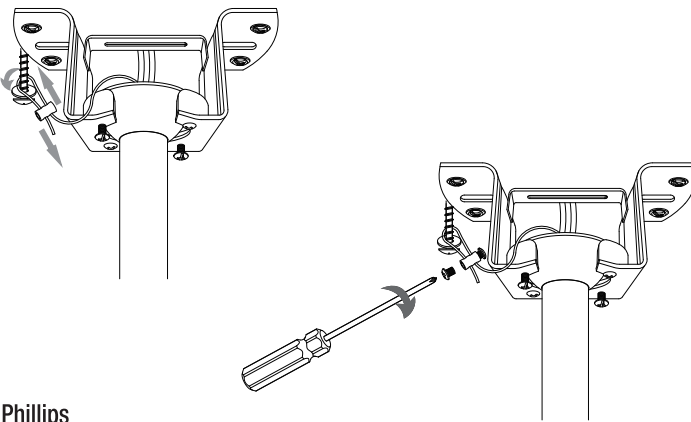
WARNING: SHUT POWER OFF AT FUSE OR CIRCUIT BREAKER

5



In order to prevent loose, the drop ball groove must be engaged with the hanger lug!

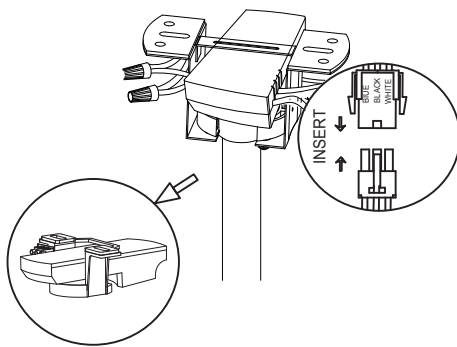
6



Safety rope installation procedure

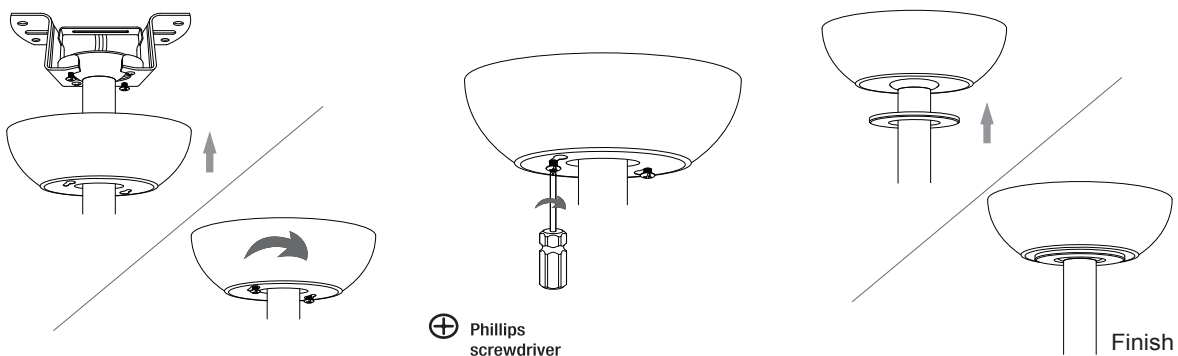
⊕ Phillips screwdriver

7



Remote control wiring

8



⊕ Phillips screwdriver



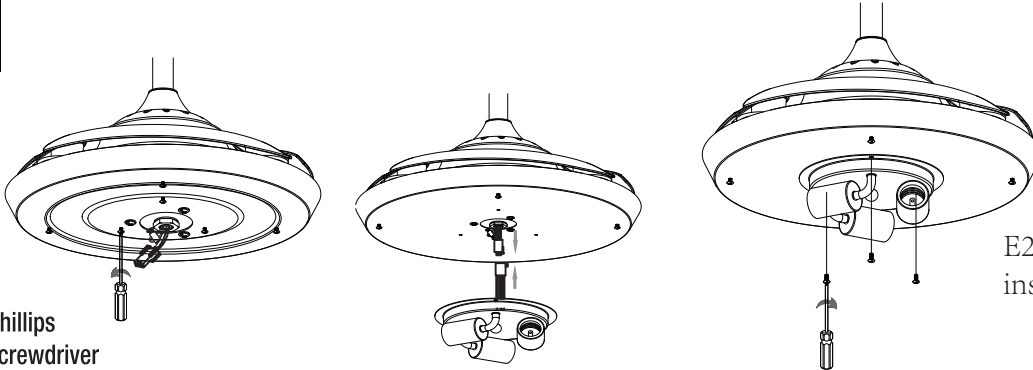
Parrot Uncle

F3531CH110V

Installation & Operating Instructions for the
Parrotuncle Owner's Installation ,Manual

WARNING: SHUT POWER OFF AT FUSE OR CIRCUIT BREAKER

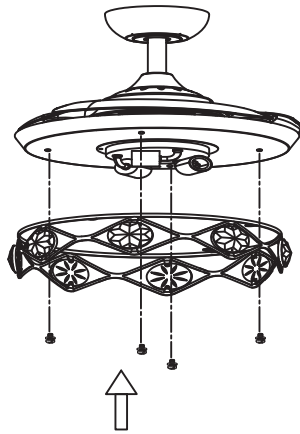
9



⊕ Phillips
screwdriver

E26 lamp holder assembly
installation diagram

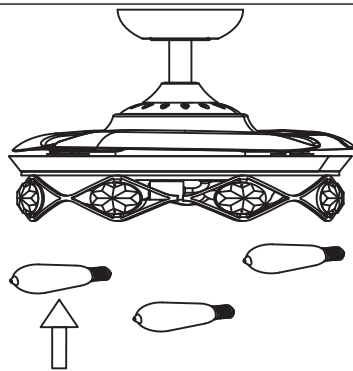
10



Lampshade installation diagram

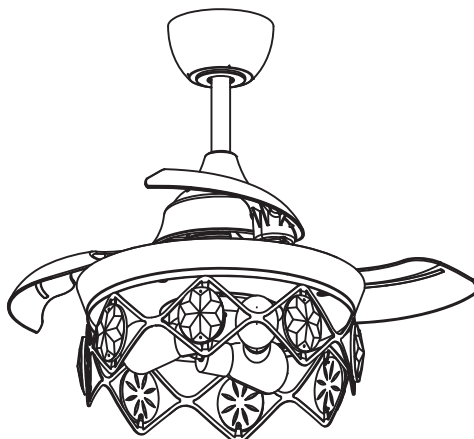
⊕ Phillips
screwdriver

11



E26 bulb installation diagram

12



The product installation is complete



F3531CH110V

Installation & Operating Instructions for the Parrotuncle Owner's Installation ,Manual

WARNING: SHUT POWER OFF AT FUSE OR CIRCUIT BREAKER

Remote controller

INSTRUCTION OF INSTALLATION AND OPERATION

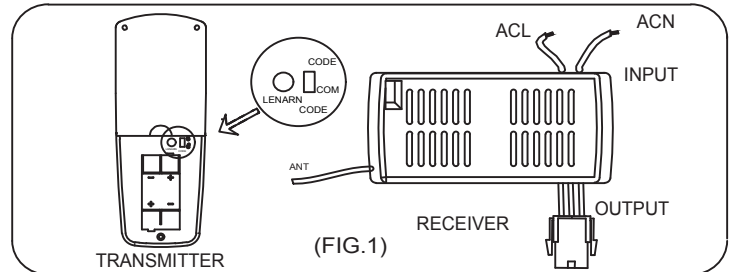
1. INSTALLING RECEIVER IN CEILING FAN

A.Safety precautions

1. WARNING: HIGH VOLTAGE! Disconnect power by removing fuse or switching off circuit breaker.
2. Do not use with solid state fans.
3. Electrical wire must meet all local and national electrical code requirements.
4. Supply for fan must be 110/120 volt, 60Hz, 3.5A
5. Maximum fan motor amps: 1.0.
6. Maximum light watts: 180 incandescent or ballast and LED.
7. To Reduce the risk of shock, this fan must be installed with a wall switch/control.

B. Installing receiver in fan

1. Remove power from the circuit.
- 2.Remove ceiling fan canopy from the mounting bracket.
- 3.Disconnect existing wiring between ceiling fan and Supply in electrical junction box.
- 4.Make connections as follows, using the wire nuts supplied.

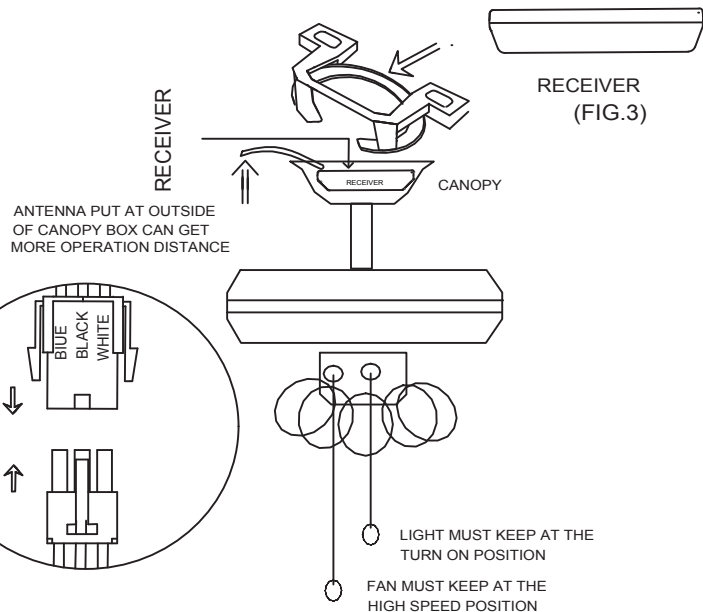
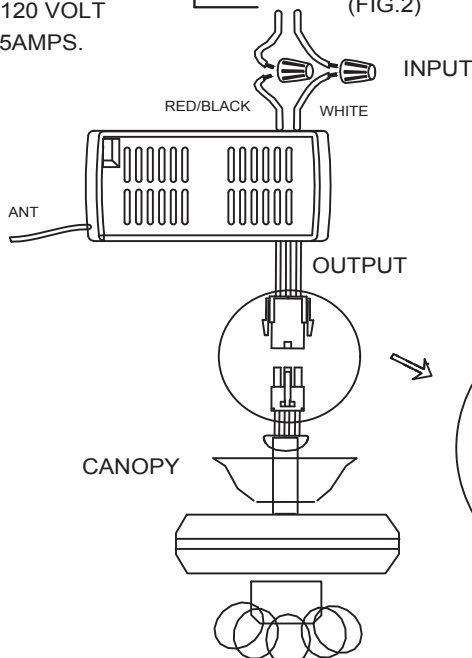


CAUTION: Ceiling Angle Shall Not Exceed 30 Degrees, For Mounting Controller. Models GA012

CONNECT TO

Red/Black receiver wire(AC IN L).....Red/Black supply wire
 White receiver wire(AC IN N).....White supply wire
 White receiver wire(TO MOTOR N)...White fan wire
 Black receiver wire(TO MOTOR L)...Black fan wire
 Blue receiver wire(FOR LIGHT)...Blue light wire

FROM POWER SOURCE AC 110~120 VOLT 60Hz 3.5AMPS. Use wire connecting nuts supplied with the fan. (FIG.2)



If other fans or supply wires are different color, have this unit installed by qualified licensed electrician.

- a.Push all connected wires up into junction box.
- b.Lay the brown antenna wire on top of the receiver,and put the receiver into the mounting bracket.
- c.Reinstall the canopy on the mounting bracket.
- d.Restore power.
- e.Install 1.5 volt battery. (To prevent damage to transmitter, remove the battery if not used for a long time).
- f. Store the transmitter away from excessive heat or humidity.
- g.This remote control unit is equipped with roll code combinations. In order to prevent possible interference from or to other remote units such as garage door openers, car alarm or security system. If you find that your fan and light kit go on and off without using your remote control, simply change the code combination in your transmitter and receiver



F3531CH110V

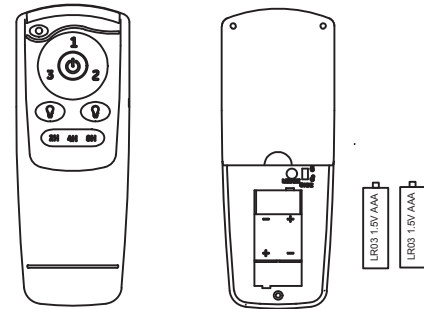
Installation & Operating Instructions for the Parrotuncle Owner's Installation ,Manual

WARNING: SHUT POWER OFF AT FUSE OR CIRCUIT BREAKER

2. OPERATING TRANSMITTER:

Operating the buttons on the panel of the transmitter.

- 3 key -for fan high speed.
- 2 key-for fan medium speed.
- 1 key-for fan low speed.
- OFF key-for fan off.
- LIGHT key-for light on and off.
- 2hr , 4hr , 8hr button to set the FAN sleep timer



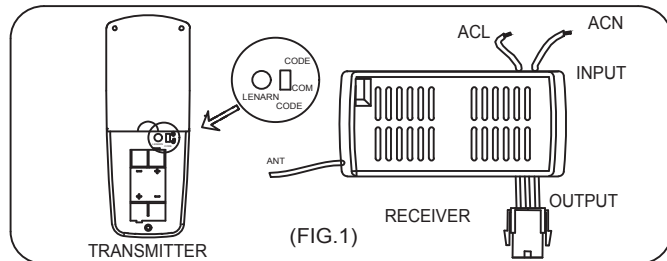
MODEL:GA012

OPERATION DISTANCE 20 FEET

YOUR REMOTE NOW HAS FULL CONTROL OF THE FAN AND LIGHT.

3.TROUBLE SHOOTING GUIDE

- a.Power to receiver?
- b.Receiver wired correctly?
- c.Fan manual speed control in highest position?
- d.Light kit switch turned on?
- e.Good battery in the transmitter?



If there are two or more ceiling fans installed in the same house, in order to prevent your ceiling fans from being affected by the remote control of the adjacent ceiling fans, first turn the switch in each remote control transmitter to the CODE(UP) position (see the schematic diagram FIG1) Remarks: The standard state of the transmitter is in the down code COM.

(Power-off means you need to use a wall switch to shut down the power of the ceiling fan, if you do not have a wall switch, please power off the whole room from the air circuit-breaker for each room)

After installing the remote control receiver on the ceiling fan

1: Turn on the power of the 1# ceiling fan receiver (the power of the 2# receiver is kept in a power-off state), within 30 seconds after the fan power is turned on, press the LEARN button corresponding to the 1# transmitter, then The receiver will learn the transmitter code. When the transmitter code is learned successfully, the light of the ceiling fans will flash twice, and then it can be used normally.

2: Turn on the power of the 2# ceiling fan receiver (the power of the 1# receiver is kept in a power-off state), within 30 seconds after the fan power is turned on, press the LEARN button corresponding to the 2# transmitter, then The receiver will learn the transmitter code. When the transmitter code is learned successfully, the light of the ceiling fans will flash twice, and then it can be used normally.

And so on, only one ceiling fan is powered on each time the corresponding transmitter learns.

After the 1# and 2# remote control transmitters have been successfully learned, turn on the power of the two ceiling fans. At this time, the 1# transmitter and the 2# transmitter can be used separately for one ceiling fan.

FCC Statement:

This device complies with Part 15 of the FCC Rules. Operation is subject to the following two conditions.

This device may not cause harmful interference.

This device must accept any interference received, including interference that may cause undesired operation.

Changes or modifications not expressly approved by the party responsible for compliance could void the user's authority to operate the equipment.

NOTE: This equipment has been tested and found to comply with the limits for a Class B digital, pursuant to Part 15 of the FCC Rules. These limits are designed to provide reasonable protection against harmful interference in a residential installation. This equipment generates, uses and can radiate radio frequency energy and, if not installed and used in accordance with the instructions, may cause harmful interference to radio communications,

However, there is no guarantee that interference will not occur in a particular installation. If the equipment does cause harmful interference to radio or television reception, which can be determined by turning the equipment off and on, the user is encouraged to try to correct the interference by one or more of the following measures:

- Reorient or relocate the receiving antenna.
- Increase the separation between the equipment and receiver.
- Connect the equipment into an outlet on a circuit different from that to which the receiver is connected.
- Consult the dealer or an experienced radio/ TV technician for help.

WARNING:

Do NOT install this fan with variable speed wall control or wall-mounted dimmer switch. It will permanently damage the fan's remote control and cause the fan's function to fail.



NO Variable speed wall control



NO Dimmer switch

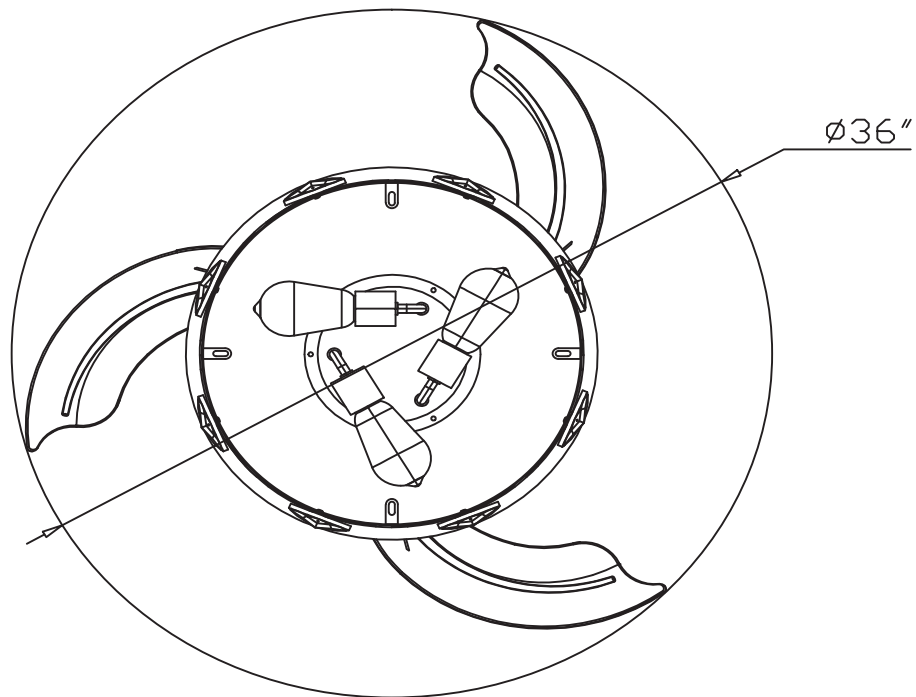
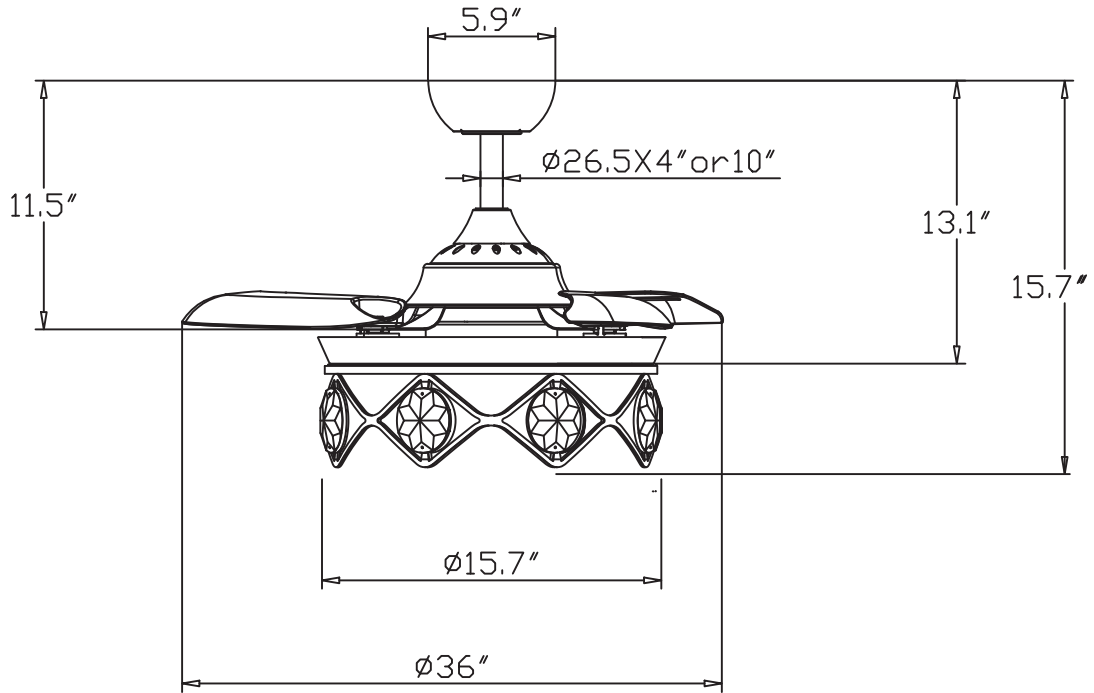


F3531CH110V

Installation & Operating Instructions for the
Parrotuncle Owner's Installation ,Manual

WARNING: SHUT POWER OFF AT FUSE OR CIRCUIT BREAKER

size of product





Parrot Uncle

F3531CH110V

Installation & Operating Instructions for the
Parrotuncle Owner's Installation ,Manual

WARNING: SHUT POWER OFF AT FUSE OR CIRCUIT BREAKER

AFTER INSTALLATION

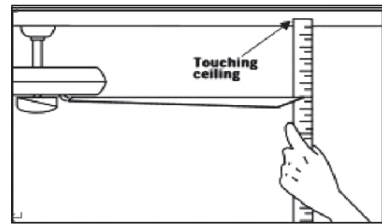
WOBBLE”

The fan blades have been adjusted in the factory to minimize any wobble

NOTE: CEILING FANS TEND TO MOVE DURING OPERATION DUE TO THE FACT THAT THEY ARE MOUNTED ON A RUBBER CROMMET. IF THE FAN WAS MOUNTED RIGIDLY TO THE CEILING, IT WOULD CAUSE EXCESS VIBRATION. MOVEMENT OF A FEW CENTIMENTERS IS QUITE ACCEPTABLE AND DOES NOT SUGGEST ANY PROBLEM

**TO REDUCE THE FAN WOBBLE: PLEASE CHECK THAT ALL SCREWS WHICH SECURED THE MOUNTING BRACKET AND DOWNROD ARE SECURE.
BALANCING A WOBBLING CEILING FAN:**

1. Check that all blade and blade arm screws are secure.
2. Most fan wobbling problems are caused when blade levels are unequal. Check this level by selecting a point on the ceiling above the tip of one of the blades. Measure this distance. Rotate the fan until the next blade is positioned for measurement. Repeat for each blade. The distance deviation should be equal within 1/8"(0.32cm).



3. If the blade wobble is still noticeable, interchanging two adjacent (side by side) blades can redistribute the weight

and possibly result in smoother operation. **WARNING: TO REDUCE THE RISK OF PERSONAL INJURY, DO NOT BEND THE BLADE ARM WHILE INSTALLING, BALANCING THE BLADES, OR CLEANING THE FAN. DO NOT INSERT FOREIGN OBJECTS BETWEEN ROTATING FAN BLADES.**

NOISE

When it is quiet (especially at night) you may hear occasional small noises. This is normal. Please allow a 24-hour "breaking-in" period, most noises associated with a new fan disappear during the time.

CARE AND CLEANING

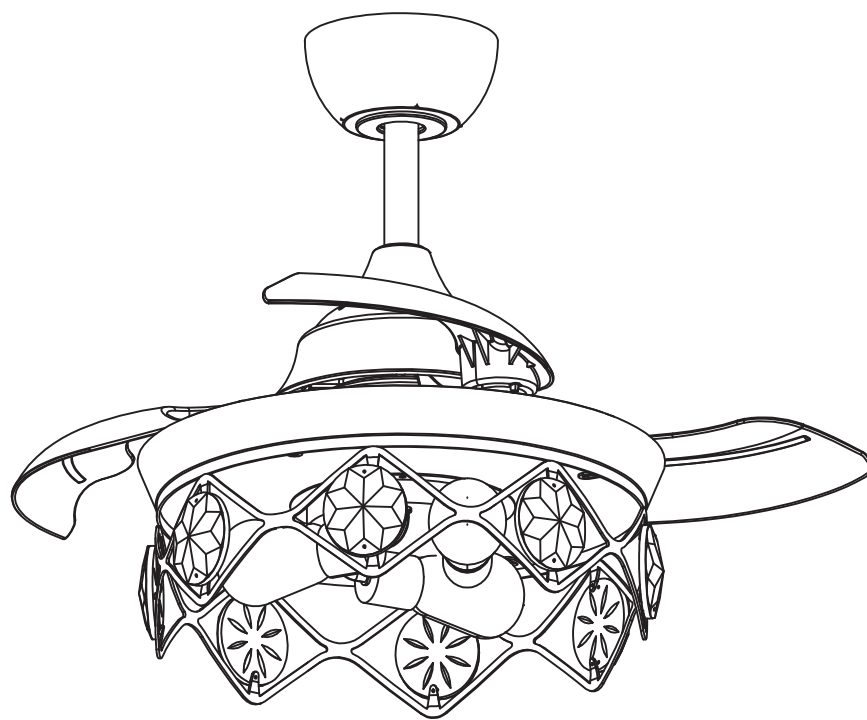
1. Periodic cleaning of your ceiling fan is the only maintenance required. Use a soft brush or lint free cloth to avoid scratching the paint finish. Please make sure to turn off electricity power before you clean your fan
2. Do not use water when cleaning your ceiling fan. It could damage the motor or the blades and create the possibility of an electrical shock.
3. Motor has permanently lubricated ball bearing. No need to oil

NOTE: MAKE SURE THE POWER IS OFF AT THE ELECTRICAL PANEL BOX BEFORE YOU ATTEMPT ANY CLEANING OR REPAIRS.



Parrot Uncle

F3531CH110V



English / Español / Français

www.parrotuncle.com



Información de seguridad

1. Para reducir el riesgo de descarga eléctrica, debe desconectarse la electricidad del interruptor de protección o de la caja de seguridad antes de arrancar.
2. Todo el cableado debe cumplir el Código Eléctrico Nacional NASI/NFPA 70-1999 y las normativas eléctricas locales. La instalación eléctrica debe ser realizada por un electricista cualificado y autorizado.
3. La caja de conexiones y la estructura de soporte deben estar montadas de forma segura y deben poder transportarse de forma fiable con un peso de 15,9 kilos. Utilice únicamente cajas de conexión marcadas con "Aceptado para ventiladores con un peso igual o inferior a 35 libras (15,9 kilos)".
4. El ventilador debe instalarse con una distancia mínima de 2,1 m entre el borde posterior de las aletas y el suelo.
5. No accione el interruptor de marcha atrás si las aspas del ventilador están en movimiento. Debe apagar el ventilador y detener las aspas antes de invertir la dirección de las aspas.
6. No coloque ningún objeto en la trayectoria de las alas.
7. Para evitar lesiones o daños al ventilador y a otros objetos, tenga cuidado cuando trabaje o limpie el ventilador.
8. Los diagramas eléctricos son sólo para referencia. Los tipos de iluminación no suministrados con el ventilador deben estar listados y marcados con el modelo de válvula que se instalará para su uso. Los interruptores deben ser interruptores UL de uso general. Observe las instrucciones para una instalación adecuada incluidas con los índices de iluminación y los interruptores.
9. Una vez realizadas las conexiones eléctricas, se debe dar la vuelta a la escalera de poda e introducirla cuidadosamente en la caja de enchufes. Los cables deben tenderse de forma que el conductor de puesta a tierra y la cabeza del aparato queden cerca del enchufe.

Antes de la instalación, compruebe todos los tornillos de fijación y, si es necesario, apriételos.

**ADVERTENCIA:**

Para reducir el riesgo de lesiones, los soportes de las cuchillas (también conocidos como abrazaderas) no deben doblarse durante ni después de la instalación. No coloque ningún objeto en la trayectoria de las aspas.

**ADVERTENCIA:**

Retire los ataques de goma del motor situados en la parte inferior del ventilador antes de montar las aspas o probar el motor.

**ADVERTENCIA:**

Para evitar el riesgo de incendio o descarga eléctrica, este ventilador no debe utilizarse con un variador de velocidad de estado sólido.

**ADVERTENCIA:**

Para evitar el riesgo de descarga eléctrica, desconecte la alimentación de la caja de seguridad principal antes de realizar el cableado. Si considera que no tiene suficientes conocimientos o experiencia en cableado eléctrico, póngase en contacto con un electricista autorizado.

**ADVERTENCIA:**

Los esquemas eléctricos son sólo de referencia. El uso opcional de un tipo de luz debe ser listado y marcado con este ventilador para su uso.

**ADVERTENCIA:**

Para reducir el riesgo de incendio, descarga eléctrica o lesiones, conecte el aparato a una toma de corriente que esté marcada como aceptada para ventiladores de 35 libras o menos. Está marcado y utilice los tornillos suministrados con el enchufe.

INFORMACIÓN TÉCNICA

SKU	Tensión nominal	Potencia nominal (motor)	Iluminación
F3531CH110V	110-120V AC	34W	3*E26 MAX. 25W (No incluido)



Parrot Uncle

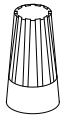
F3531CH110V

Instrucciones de instalación y funcionamiento del
parrotuncle Propietarios Instalación ,Manual

ADVERTENCIA: CORTE LA CORRIENTE CON EL FUSIBLE O EL DISYUNTOR



Tornillos para madera (4pzas)



**Tuerca para alambre
de plástico (3pzas)**



Tornillo para luz (1pza)



Tornillos de montaje (2pzas)



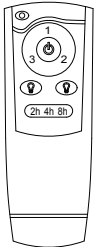
Arandela (2pzas)



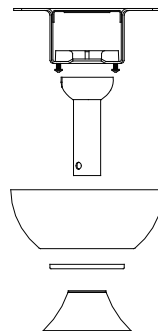
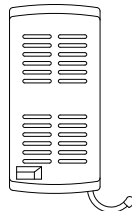
Arandela elástica (2pzas)



Tiras de equilibrio (2pzas)



MANDO A DISTANCIA (1 pza)



Soporte de montaje deslizante

Conjunto bola/vástago de 4"

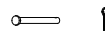
Conjunto bola/vástago de 10" (en espera)

Tejadillo

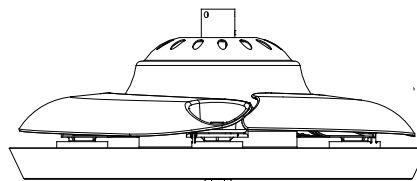
Tapa del tejadillo

Cubierta de acoplamiento

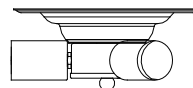
Eje colgante



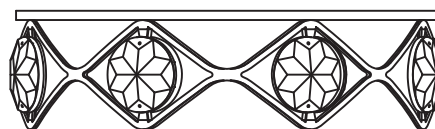
Pasador de bloqueo "R"



Conjunto ventilador-motor



Conjunto kit luz



Pantalla

Compruebe si los accesorios anteriores están completos o no. Sí, e instálelos.



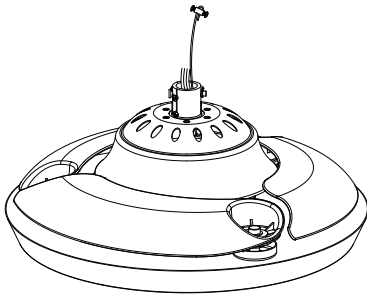
Parrot Uncle

F3531CH110V

Instrucciones de instalación y funcionamiento del parrotuncle Propietarios Instalación ,Manual

ADVERTENCIA: CORTE LA CORRIENTE CON EL FUSIBLE O EL DISYUNTOR

1



Saque el F3531CH acabado de su caja de embalaje

2

INSTALACIÓN DEL VENTILADOR :

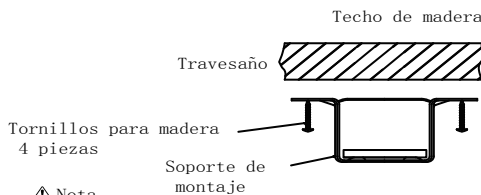
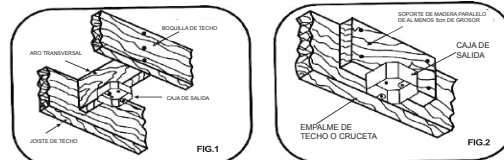
Herramientas necesarias: destornillador Phillips, alicates, destornillador recto, llave ajustable, escalera de mano y cortaalambres.

INSTALACIÓN DEL SOPORTE DE MONTAJE :

El ventilador de techo debe instalarse en un lugar donde las aspas estén separadas 300 mm (12 pulg.) de los objetos o paredes más cercanos. Cuando cuelgue el ventilador, RECUERDE apagarlo. Siga las siguientes instrucciones para colgar el ventilador correctamente:

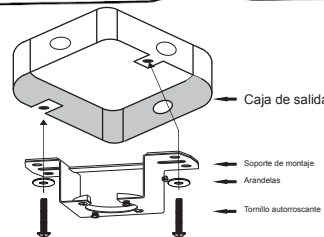
1. Para techos de madera, fije el soporte de montaje al techo, capaz de soportar una carga de al menos 45 kg, utilizando los dos tornillos de montaje largos y las arandelas suministradas. Asegúrese de que al menos 30 mm del tornillo queden atornillados en el soporte.

2. Para la instalación de la caja de salida, fjela directamente a la estructura del edificio. Utilice yeso y materiales de construcción adecuados. La caja de salida y su soporte deben poder soportar completamente el peso del ventilador en movimiento (al menos 100 libras). Utilice una caja de salida metálica con certificación UL. No utilice cajas de salida de plástico. Figura 1 y 2 ejemplos de montaje de la caja de salida.

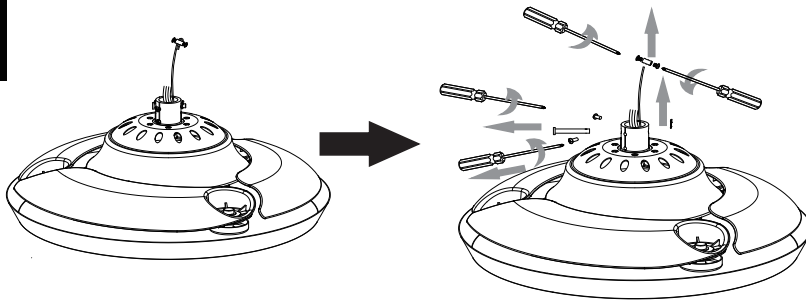


Nota

Compruebe que la instalación es correcta.



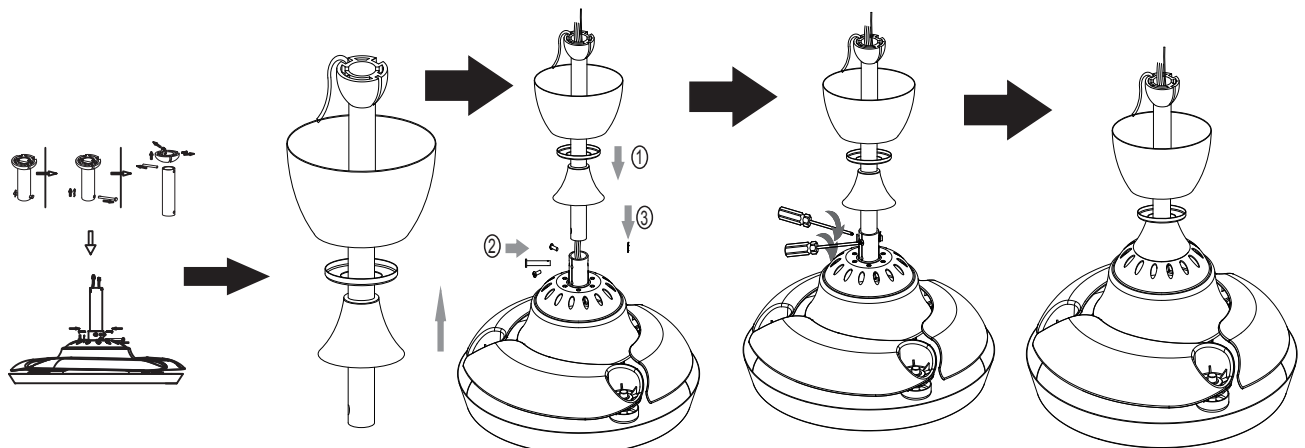
3



Utilice un destornillador Phillips para aflojar el tornillo en la dirección de la flecha mostrada en la figura, y coloque el tornillo para su posterior instalación n.

Destornillador Phillips

4



Destornillador Phillips

Instale los componentes del sistema de suspensión del producto como se muestra en el diagrama.



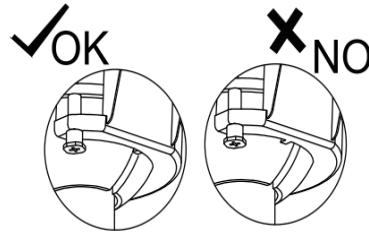
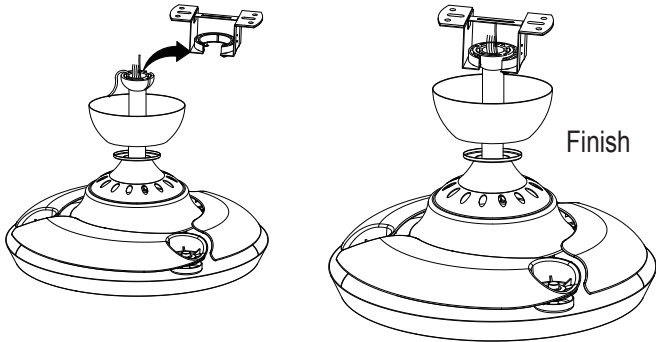
Parrot Uncle

F3531CH110V

Instrucciones de instalación y funcionamiento del parrotuncle Propietarios Instalación ,Manual

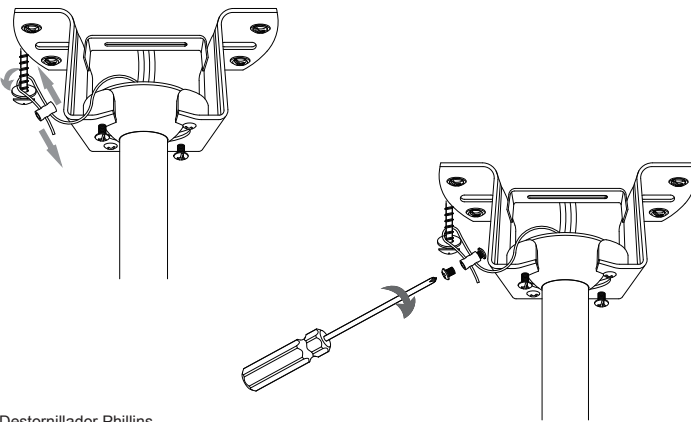
ADVERTENCIA: CORTE LA CORRIENTE CON EL FUSIBLE O EL DISYUNTOR

5



Para evitar que se suelte, la ranura de la bola de ca ́ da debe encajar en el soporte de fijaci ó n.

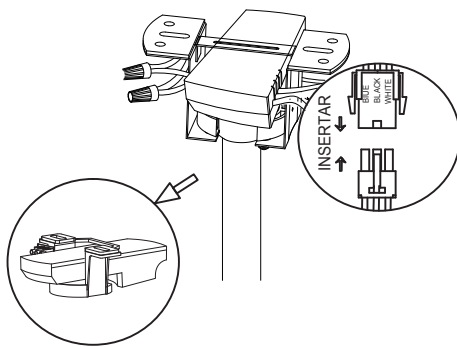
6



Procedimiento de instalaci ó n del cable de seguridad

⊕ Destornillador Phillips

7



Cableado del mando a distancia

8



⊕ Destornillador Phillips

Terminado



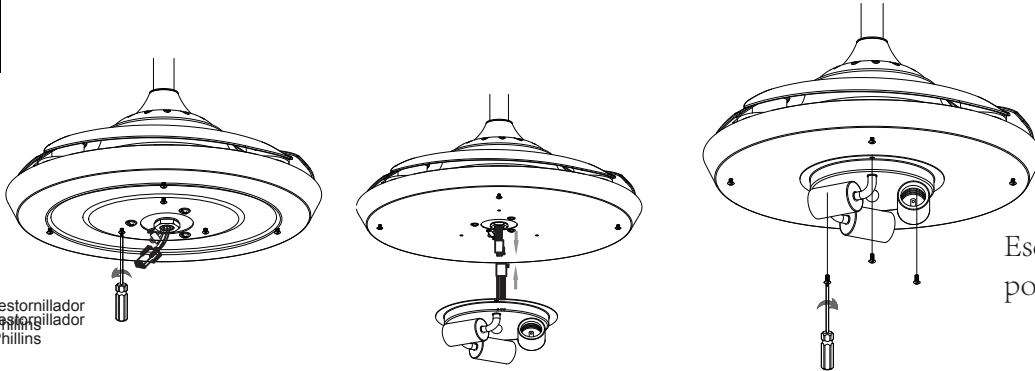
Parrot Uncle

F3531CH110V

Instrucciones de instalación y funcionamiento del
parrotuncle Propietarios Instalación ,Manual

ADVERTENCIA: CORTE LA CORRIENTE CON EL FUSIBLE O EL DISYUNTOR

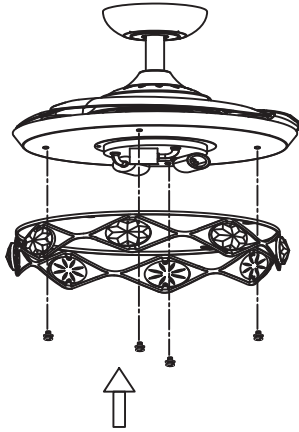
9



+ Destornillador
Destornillador
Phillips

Esquema de instalación del
portalámparas E26

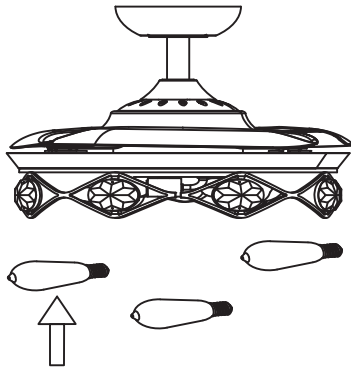
10



+ Destornillador
Phillips

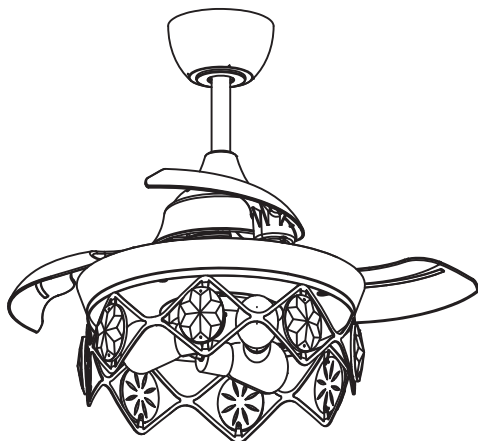
Esquema de instalación de la pantalla

11



Esquema de instalación de la bombilla E26

12



Instalación completa del producto

Mando a distancia

INFORMACIÓN GENERAL

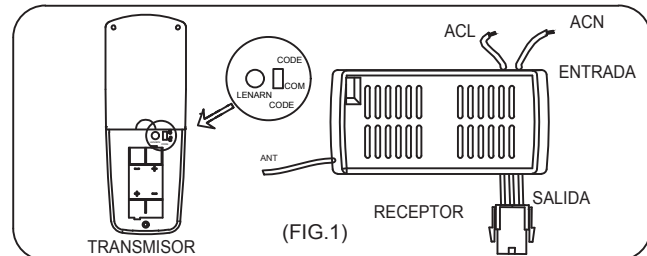
1. INSTALACIÓN DEL RECEPTOR EN EL VENTILADOR DE TECHO

A. Precauciones de seguridad

1. ADVERTENCIA: ¡ALTA TENSIÓN! Desconecte la alimentación quitando el fusible o desconectando el disyuntor.
2. No utilizar con ventiladores de estado sólido.
3. El cable eléctrico debe cumplir con todos los requisitos de los códigos eléctricos locales y nacionales.
4. El suministro para el ventilador debe ser de 110/120 voltios, 60 Hz, 3,5 A.
5. Amperios máximos del motor del ventilador: 1,0.
6. Vatios de luz máximos: 180 incandescentes o balasto y LED.
7. Para reducir el riesgo de descarga eléctrica, este ventilador debe instalarse con un interruptor/mando de pared.

B. Instalación del receptor en el ventilador CONECTAR A

1. Quite la corriente del circuito.
2. Retire la campana del ventilador de techo del soporte de montaje.
3. Desconecte el cableado existente entre el ventilador de techo y el suministro en la caja de conexiones eléctricas.
4. Haga las conexiones como se indica a continuación, utilizando las tuercas para cables suministradas.

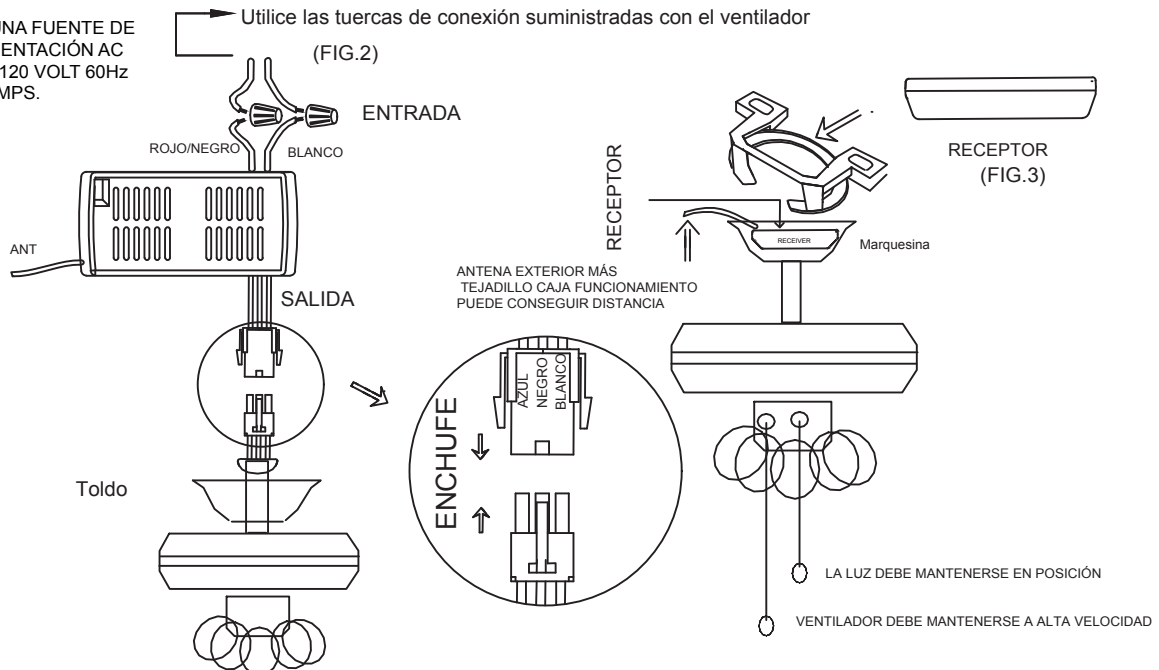


ATENCIÓN: El ángulo del techo no debe superar los 30 grados, Para el controlador de montaje, modelo GA012

CONECTAR A Cable

Cable verde del ventilador Cable desnudo de alimentación
 Cable receptor rojo o negro (AC IN L).... Cable de alimentación rojo o negro
 Cable receptor blanco (AC IN N)....Cable de alimentación blanco
 Cable blanco del receptor (AL MOTOR N)....Cable blanco del ventilador
 Cable negro del receptor (AL MOTOR L)....Cable negro del ventilador
 Cable azul del receptor (para la luz)Cable azul de la luz

DE UNA FUENTE DE ALIMENTACIÓN AC 110- 120 VOLT 60Hz 3.5AMPS.



Si otros ventiladores o cables de alimentación son de otro color, haga instalar esta unidad por un electricista cualificado y autorizado.

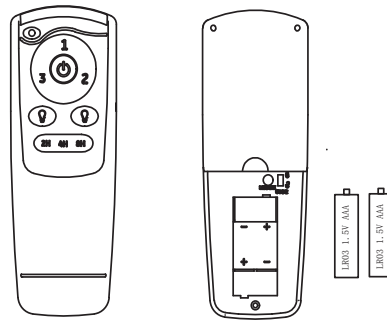
1. Introduzca todos los cables conectados en la caja de conexiones.
2. Coloque el cable de antena marrón sobre el receptor, y coloque el receptor en el soporte de montaje.
3. Vuelva a instalar la cubierta en el soporte de montaje.
4. Restablezca la alimentación eléctrica.
5. Instale una pila de 1,5 voltios (no incluida). (Para evitar daños en el transmisor, retire la batería si no va a utilizarlo durante un periodo prolongado).
6. Guarde el transmisor alejado del calor o la humedad excesivos.
7. Este mando a distancia está equipado con combinaciones de códigos de rodillo. Para evitar posibles interferencias con otros mandos a distancia como abridores de puertas de garaje, alarmas de coche o sistemas de seguridad. Si observa que el ventilador y el juego de luces se encienden y apagan sin la ayuda del mando a distancia, sólo tiene que cambiar la combinación de códigos del transmisor y del receptor.



ADVERTENCIA: CORTE LA CORRIENTE CON EL FUSIBLE O EL DISYUNTOR

Transmisor operativo:

- Operando los botones en el panel del transmisor.
- 3 Key -para ventilador de alta velocidad.
- 2 llave para ventilador de velocidad media.
- 1 llave para ventilador de baja velocidad.
- Fuera de la llave para el ventilador apagado.
- Ligera llave para la luz encendida y apagada.
- Botón de 2 horas, 4 horas, 8 horas para configurar el temporizador de sueño del ventilador

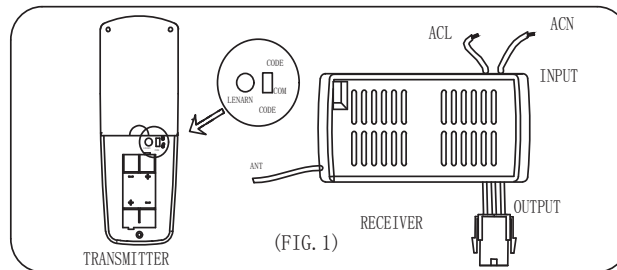


MODELO: GA012
DISTANCIA DE OPERACIÓN 20 PIES

SU CONTROL REMOTO AHORA TIENE EL CONTROL TOTAL DEL VENTILADOR Y LA LUZ.

GUÍA PARA RESOLVER PROBLEMAS

- a. ¿Poder al receptor?
- b. Receptor conectado correctamente?
- c. ¿Control de velocidad manual del ventilador en la posición más alta?
- d. Interruptor de kit de luz encendido?
- e. ¿Buena batería en el transmisor?



Si hay dos o más ventiladores de techo instalados en la misma casa, para evitar que sus ventiladores de techo se vean afectados por el control remoto de los ventiladores de techo adyacentes, primero gire el interruptor en cada transmisor de control remoto a la posición del código (arriba) (consulte la

Diagrama esquemático Fig1) Observaciones: El estado estándar del transmisor está en el código descendente com.

(Aperando significa que debe usar un interruptor de pared para apagar la alimentación del ventilador de techo, si no tiene un interruptor de pared, apagar toda la habitación desde el descremador de circuito de aire para cada habitación)

Después de instalar el receptor de control remoto en el ventilador de techo

- 1: Encienda la potencia del receptor del ventilador de techo 1# (la potencia del receptor 2# se mantiene en un estado de apagado), dentro de los 30 segundos después de que se enciende la alimentación del ventilador, presione el botón de aprendizaje correspondiente al 1 # Transmisor, luego el receptor aprenderá el código del transmisor. Cuando el código del transmisor se aprende con éxito, la luz de los ventiladores del techo parpadeará dos veces, y luego se puede usar normalmente.
 - 2: Encienda la potencia del receptor del ventilador de techo de 2# (la potencia del receptor 1# se mantiene en un estado de apagado), dentro de los 30 segundos después de que se enciende la alimentación del ventilador, presione el botón de aprendizaje correspondiente a los 2 # Transmisor, luego el receptor aprenderá el código del transmisor. Cuando el código del transmisor se aprende con éxito, la luz de los ventiladores del techo parpadeará dos veces, y luego se puede usar normalmente.
- Y así sucesivamente, solo un ventilador de techo se enciende cada vez que el transmisor correspondiente aprende.
Después de que los transmisores de control remoto 1# y 2# se hayan aprendido con éxito, encienda la potencia de los dos ventiladores de techo. En este momento, el transmisor 1# y el transmisor 2# se pueden usar por separado para un ventilador de techo.

Declaración de FCC:

Este dispositivo cumple con la Parte 15 de las Reglas de la FCC. La operación está sujeta a las siguientes dos condiciones.

Este dispositivo no puede causar interferencias perjudiciales.

Este dispositivo debe aceptar cualquier interferencia recibida, incluida la interferencia que pueda causar una operación no deseada.

Cambios o modificaciones no expresamente aprobadas por la parte responsable del cumplimiento podría anular el de los usuarios autoridad para operar el equipo.

Nota: Este equipo ha sido probado y encontrado que cumple con los límites para una clase B digital, de conformidad con la Parte 15 o la FCC

Normas. Estos límites están diseñados para proporcionar una protección razonable contra la interferencia dañina en una instalación residencial.

Este equipo genera, usa y puede irradiar energía de radiofrecuencia y, si no se instala y se usa de acuerdo con el

Instrucciones, que la interferencia perjudicial para la radio a las comunicaciones de radio,

Sin embargo, no hay garantía de que la interferencia no ocurra en una instalación particular. Si el equipo causa una interferencia dañina a la

recepción de radio o televisión, que se puede determinar apagando y encendido, el usuario está

Alertado a tratar de corregir la interferencia por una o más de las siguientes medidas:

- Reorientar o reubicar la antena receptora.
- Aumente la separación entre el equipo y el receptor.
- Conecte el equipo en una salida en un circuito diferente al del que está conectado el receptor.
- Consulte al concesionario o un técnico experimentado de radio/ televisión para obtener ayuda.

ADVERTENCIA:

No instale este ventilador con pared de velocidad variable Control o interruptor de atenuador montado en la pared. Va a dañar permanentemente el control remoto del ventilador y hacer que la función del ventilador falle.



Sin control de la pared de velocidad variable



Sin interruptor de atenuación

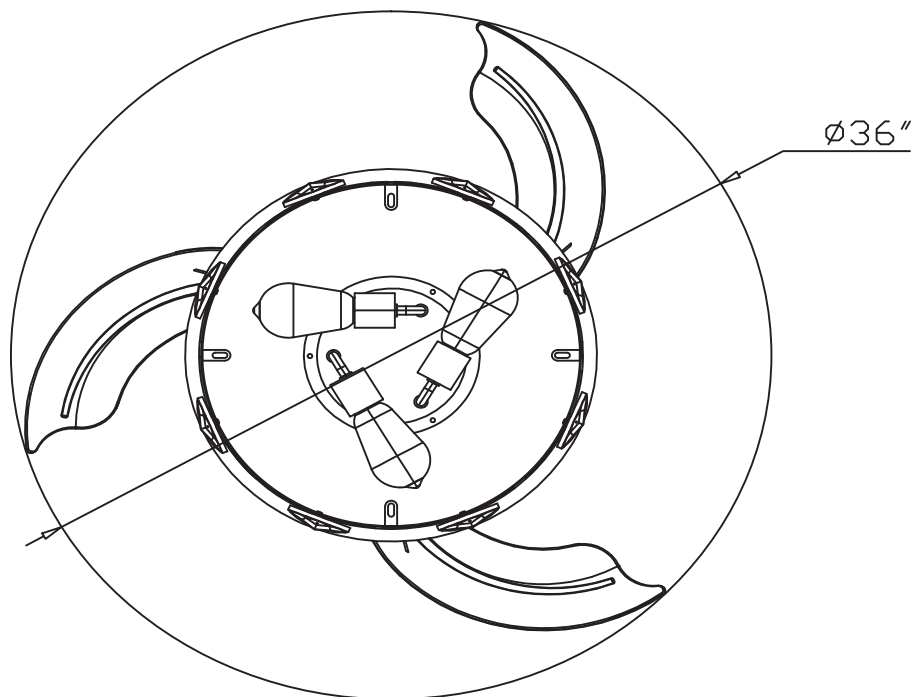
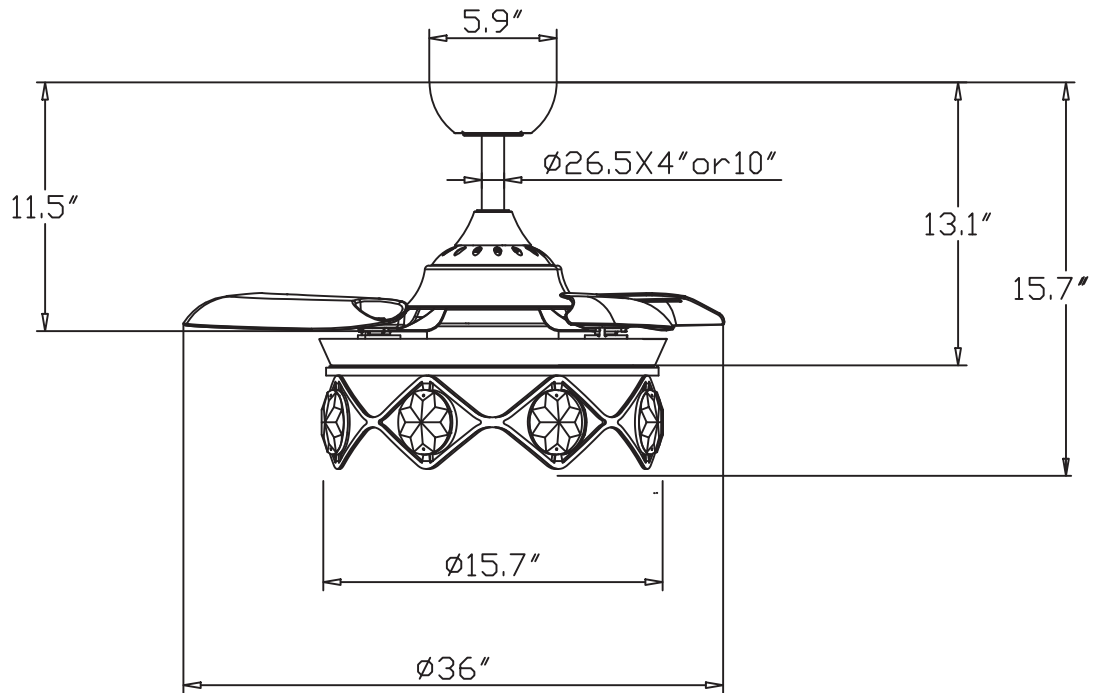


F3531CH110V

Instrucciones de instalación y funcionamiento del
parrotuncle Propietarios Instalación ,Manual

ADVERTENCIA: CORTE LA CORRIENTE CON EL FUSIBLE O EL DISYUNTOR

dimensión del producto





Parrot Uncle

F3531CH110V

Instrucciones de instalación y funcionamiento del
parrotuncle Propietarios Instalación ,Manual

ADVERTENCIA: CORTE LA CORRIENTE CON EL FUSIBLE O EL DISYUNTOR

DESPUÉS DE LA INSTALACIÓN

OSCILACIÓN

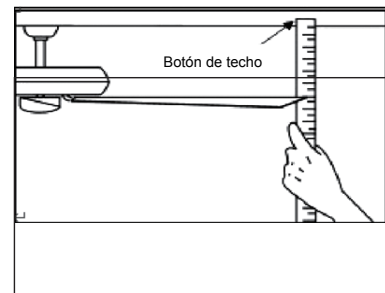
Las aspas del ventilador han sido ajustadas en fábrica para minimizar cualquier oscilación.

NOTA: LOS VENTILADORES DE TECHO TIENDEN A MOVERSE DURANTE SU FUNCIONAMIENTO PORQUE ESTÁN MONTADOS SOBRE UNA ARANDELA DE GOMA. SI EL VENTILADOR ESTUVIERA MONTADO RÍGIDAMENTE EN EL TECHO, PROVOCARÍA VIBRACIONES EXCESIVAS. UN MOVIMIENTO DE POCOS CENTÍMETROS ES PERFECTAMENTE ACEPTABLE Y NO PLANTEA NINGÚN PROBLEMA. PARA REDUCIR LA OSCILACIÓN DEL VENTILADOR: COMPRUEBE QUE TODOS LOS TORNILLOS QUE FIJARON EL MONTAJE EL SOPORTE Y LA VARILLA ESTÁN BIEN FIJADOS.

EQUILIBRAR UN VENTILADOR DE TECHO OSCILANTE:

1. Compruebe que todos los tornillos de las aspas y del brazo de las aspas están bien apretados.
2. La mayoría de los problemas de oscilación del ventilador se deben a un desnivel en el nivel de las aspas. Compruebe este nivel eligiendo un punto en el techo por encima de la punta de una de las aspas. Mida esta distancia. Gire el ventilador hasta que el siguiente aspa esté posicionada para la medición. Repita el procedimiento para cada aspa. La distancia debe ser de 0,32 cm.

3. si la oscilación de las aspas sigue siendo perceptible, intercambiar dos aspas adyacentes (una al lado de la otra) puede redistribuir el espacio entre las aspas. dos aspas adyacentes (una al lado de la otra) puede redistribuir el peso y posiblemente permitir un funcionamiento más suave.



ADVERTENCIA: PARA REDUCIR EL RIESGO DE LESIONES, NO DOBLE EL BRAZO DE LAS ASPAS CUANDO INSTALE, EQUILIBRE LAS ASPAS O LIMPIE EL VENTILADOR. NO INTRODUZCA OBJETOS EXTRAÑOS ENTRE LAS ASPAS GIRATORIAS DEL VENTILADOR.

RUIDO

Con tiempo tranquilo (especialmente por la noche), es posible que oiga pequeños ruidos ocasionales. Esto es normal. Permita un período de rodaje de 24 horas; la mayoría de los ruidos asociados con un ventilador nuevo desaparecen durante este período. La mayoría de los ruidos asociados a un ventilador nuevo desaparecen durante este periodo.

7 MANTENIMIENTO Y LIMPIEZA

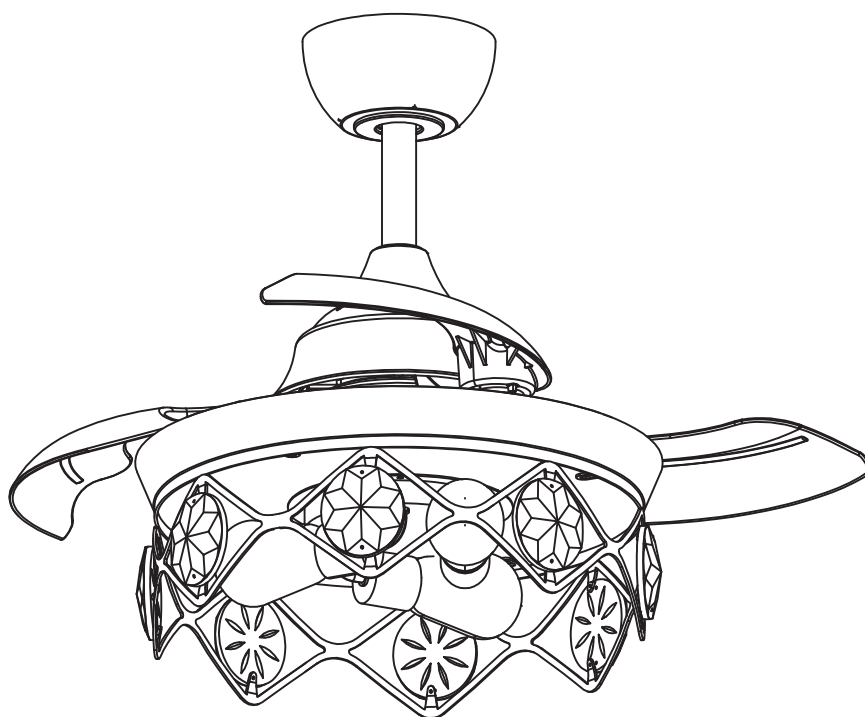
1. El único mantenimiento necesario es la limpieza periódica del ventilador de techo. Utilice un cepillo suave o un paño sin pelusa para evitar rayar la pintura. Asegúrese de desconectar el suministro eléctrico antes de limpiar su ventilador.
2. No utilice agua para limpiar el ventilador de techo. Podría dañar el motor o las aspas y provocar una descarga eléctrica.
3. El motor está equipado con un rodamiento de bolas de lubricación permanente. No es necesario engrasarlo.

NOTA: ASEGÚRESE DE QUE LA CORRIENTE ESTÁ DESCONECTADA EN EL CUADRO ELÉCTRICO ANTES DE REALIZAR CUALQUIER TRABAJO DE LIMPIEZA O REPARACIÓN. NO LIMPIE NI REPARE EL APARATO.



Parrot Uncle

F3531CH110V



English / Español / Français

www.parrotuncle.com

Informations de sécurité

1. Pour réduire le risque de coup électrique, l'électricité sur l'interrupteur de protection ou la boîte de sécurité s'est éteinte avant le démarrage.
2. Tout le câblage doit être conforme au code électrique national NASI/NFPA 70-1999 et aux réglementations électriques locales. L'installation électrique doit être réalisée par un électricien qualifié et agréé.
3. Le boîtier de connexion et la structure de support doivent être assemblés en toute sécurité et doivent pouvoir être transportés en toute fiabilité avec un poids de 15,9 kilos. N'utilisez que des boîtes de sortie portant la mention "Accepté pour les ventilateurs d'un poids de £ 35 (15,9 kilos) ou moins."
4. Le ventilateur doit être installé à une distance minimale de 2,1 m (7 pieds) entre le bord postérieur des ailes et le sol.
5. Ne pas actionner l'interrupteur de marche arrière si les ailes du ventilateur sont en mouvement. Vous devez éteindre le ventilateur et arrêter les ailes avant d'inverser la direction de l'aile.
6. Ne pas placer d'objets sur la route des ailes.
7. Pour éviter des lésions ou des dommages au ventilateur et à d'autres objets, faites attention lorsque vous travaillez sur le ventilateur ou que vous le nettoyez.
8. Les schémas électriques servent uniquement de référence. Les taux d'éclairage qui ne sont pas livrés avec le ventilateur doivent être répertoriés et marqués avec le modèle de vanne qui sera installé pour l'utilisation. Les interrupteurs doivent être des interrupteurs à usage général UL. Tenir compte des instructions pour l'installation appropriée incluses dans les taux d'éclairage et les interrupteurs.
9. Une fois les raccordements électriques effectués, l'escalier de taille doit être retourné et poussé avec précaution jusqu'à la boîte à fiches. Les câbles doivent être répartis de manière à ce que le conducteur relié à la terre et la tête de l'appareil se trouvent à proximité de la prise.

Toutes les vis de fixation doivent être vérifiées avant l'installation et, si nécessaire, suivies.



AVERTISSEMENT:

Pour réduire le risque de blessure, les supports de couteau (également appelés brides) ne peuvent pas être pliés pendant l'installation ou après l'installation. Ne placez aucun objet sur la trajectoire des ailes.



AVERTISSEMENT:

Retirez les attaques en caoutchouc du moteur au bas du ventilateur avant de monter les ailes ou d'essayer le moteur.



AVERTISSEMENT:

Pour éviter tout risque d'incendie ou de choc électrique, ce ventilateur ne doit pas être utilisé avec un variateur de vitesse à semi-conducteur.



AVERTISSEMENT:

Pour éviter tout risque d'électrocution, coupez le courant dans la boîte de sécurité principale avant de procéder au câblage. Si vous pensez ne pas avoir suffisamment de connaissances ou d'expérience en matière de câblage électrique, adressez-vous à un électricien agréé.



AVERTISSEMENT:

Les schémas électriques ne servent que de référence. L'utilisation optionnelle d'un taux d'éclairage doit être sur la liste et marqué avec ce ventilateur pour l'utilisation.



AVERTISSEMENT:

Pour réduire les risques d'incendie, de décharges électriques ou de blessures, montez l'appareil dans une prise de courant qui porte l'inscription acceptée pour les ventilateurs d'un poids inférieur ou égal à 35 £. Elle est marquée et utilisez les vis fournies avec la prise.

INFORMACIÓN TÉCNICA

SKU	Tension nominale	Puissance nominale (moteur)	Lumière
F3531CH110V	110-120V AC	34W	3*E26 MAX. 25W (Non inclus)



Parrot Uncle

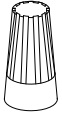
F3531CH110V

Instructions d'installation et d'utilisation pour le
Installation du propriétaire de Parrotuncle, manue

VERTISSEMENT : COUPER L'ALIMENTATION AU FUSIBLE OU AU DISJONCTEUR



Vis à bois (4PCS)



**Écrou pour fil
en plastique (3PCS)**



Vis pour la lumière (1PCS)



Vis de montage (2PCS)



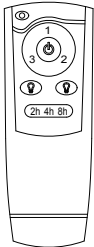
Rondelle (2PCS)



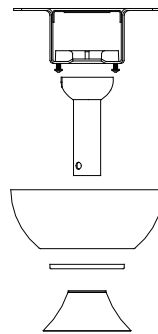
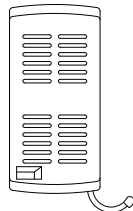
Rondelle élastique (2PCS)



Bandes d'équilibre (2PCS)



TÉLÉCOMMANDE (1 PCS)



Support de montage coulissant

Assemblage boule/tige de 4"

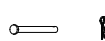
Assemblage boule/tige de 10" (veille)

Canopée

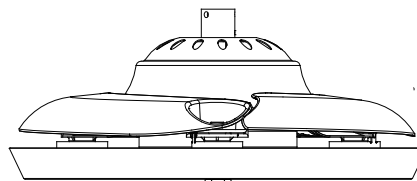
Couvercle de la canopée

Couvercle d'accouplement

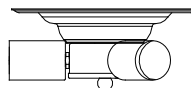
Broche à suspendre



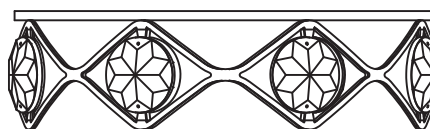
Goupille de verrouillage « R »



Assemblage ventilateur-moteur



kit d'éclairage assemblage



Ombre

Veillez vérifier si les accessoires ci-dessus sont terminés ou non ? Oui, et installez-les.



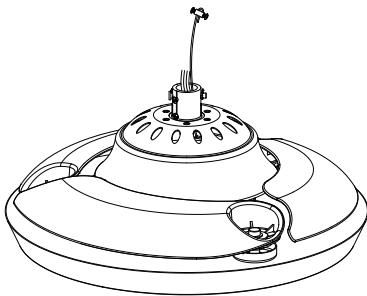
Parrot Uncle

F3531CH110V

Instructions d'installation et d'utilisation pour le
Installation du propriétaire de Parrotuncle, manue

VERTISSEMENT : COUPER L'ALIMENTATION AU FUSIBLE OU AU DISJONCTEUR

1



Sortez le F3531CH fini de sa boîte d'emballage

2

INSTALLATION DU VENTILATEUR :

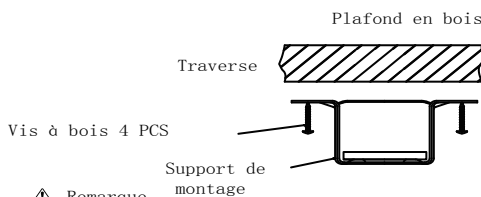
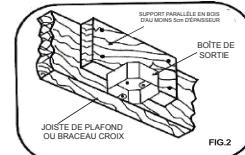
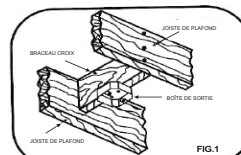
Outils nécessaires : Tournevis cruciforme, pince, tournevis droit, clé à molette, escabeau et pince coupante.

INSTALLATION DU SUPPORT DE MONTAGE :

Le ventilateur de plafond doit être installé à un endroit où les pannes sont espacées de 300 mm (12 po) entre leur extrémité et les objets ou les murs les plus proches. Lorsque vous suspendez le ventilateur, N'OUBLIEZ PAS de le mettre hors tension. Suivez les instructions ci-dessous pour suspendre correctement votre ventilateur :

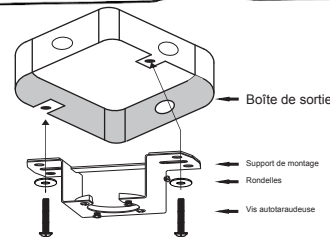
1. pour les plafonds en bois, fixez le support de montage au plafond, capable de supporter une charge d'au moins 45 kg, à l'aide des deux longues vis de montage et des rondelles fournies. Veillez à ce qu'au moins 30 mm de la vis soient vissés dans le support.

2. Pour l'installation sur une boîte de sortie, fixez la boîte de sortie directement à la structure du bâtiment. Utilisez des enduits et des matériaux de construction appropriés. La boîte de sortie et son support doivent pouvoir supporter entièrement le poids du ventilateur en mouvement (au moins 100 livres). Utilisez une boîte de sortie métallique homologuée UL. Ne pas utiliser de boîte de sortie en plastique. Figure 1 & 2 exemples de montage de la boîte de sortie.

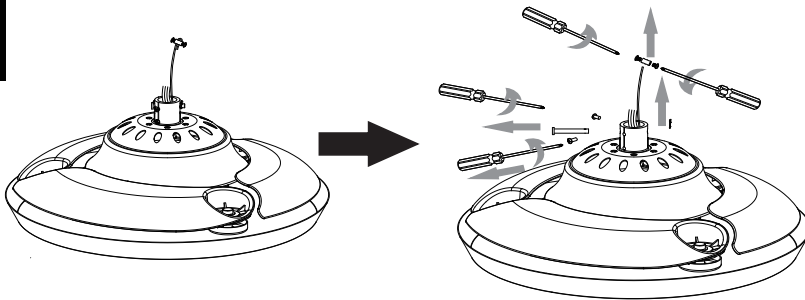


Remarque

Vérifier que l'installation est correcte.



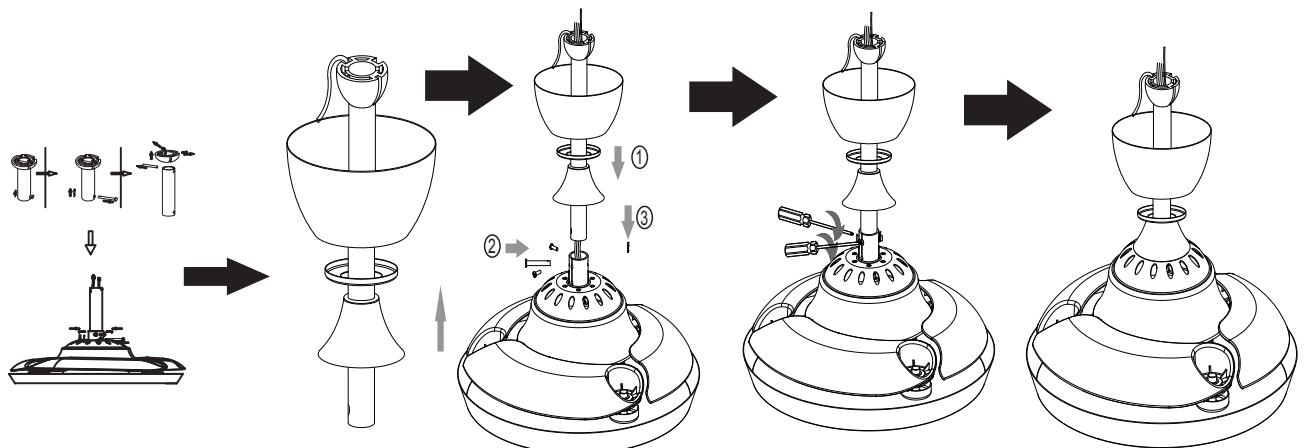
3



Utilisez un tournevis Phillips pour desserrer la vis dans le sens de la flèche indiquée sur la figure, et placez la vis pour l'installation ultérieure.

Tournevis Phillips

4



Tournevis Phillips

Installez les composants du système de suspension du produit comme indiqué dans le diagramme.



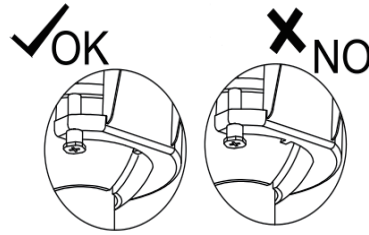
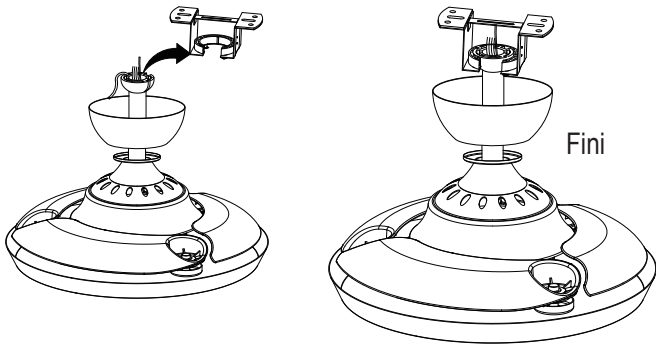
Parrot Uncle

F3531CH110V

Instructions d'installation et d'utilisation pour le
Installation du propriétaire de Parrotuncle, manue

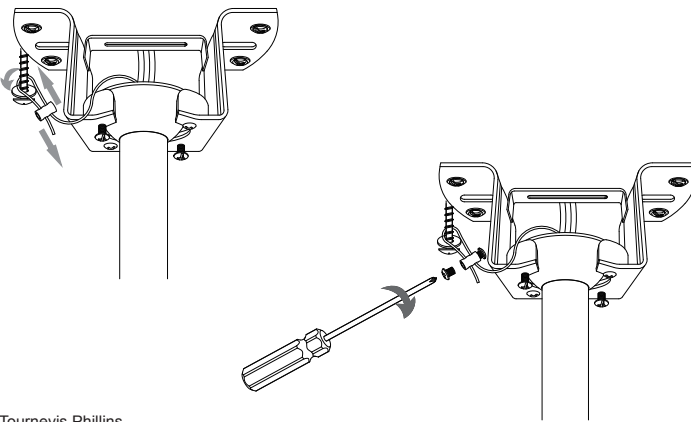
VERTISSEMENT : COUPER L'ALIMENTATION AU FUSIBLE OU AU DISJONCTEUR

5



Afin d'éviter tout desserrement, la rainure de la boule de chute doit être engagée dans la patte d'accrochage !

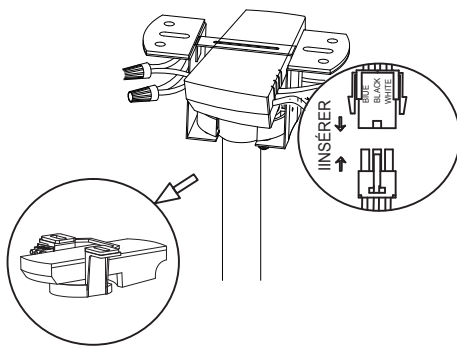
6



Procédure d'installation du câble de sécurité

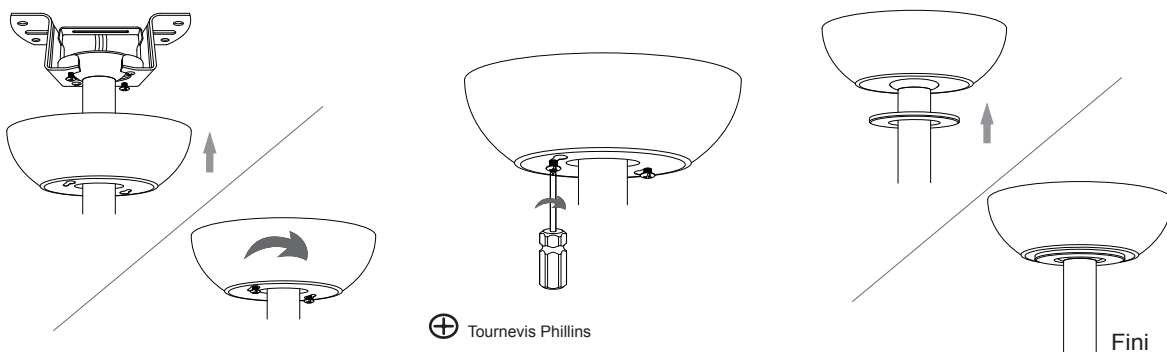
⊕ Tournevis Phillips

7



Câblage de la télécommande

8



⊕ Tournevis Phillips



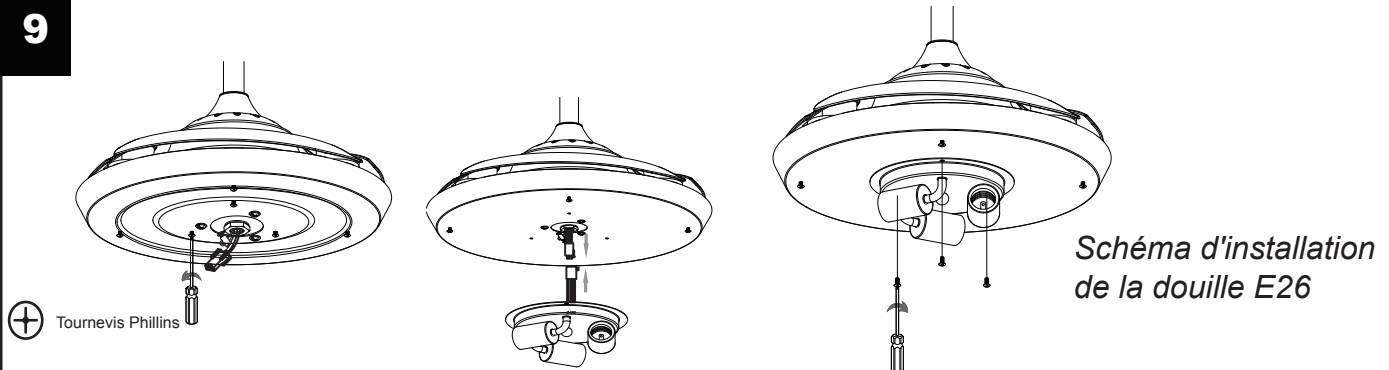
Parrot Uncle

F3531CH110V

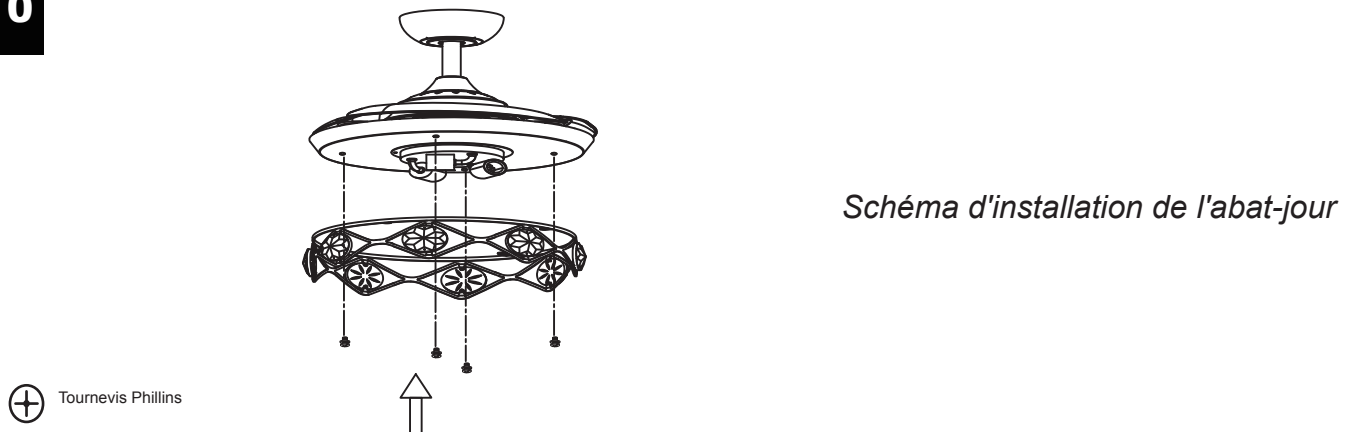
Instructions d'installation et d'utilisation pour le
Installation du propriétaire de Parrotuncle, manue

VERTISSEMENT : COUPER L'ALIMENTATION AU FUSIBLE OU AU DISJONCTEUR

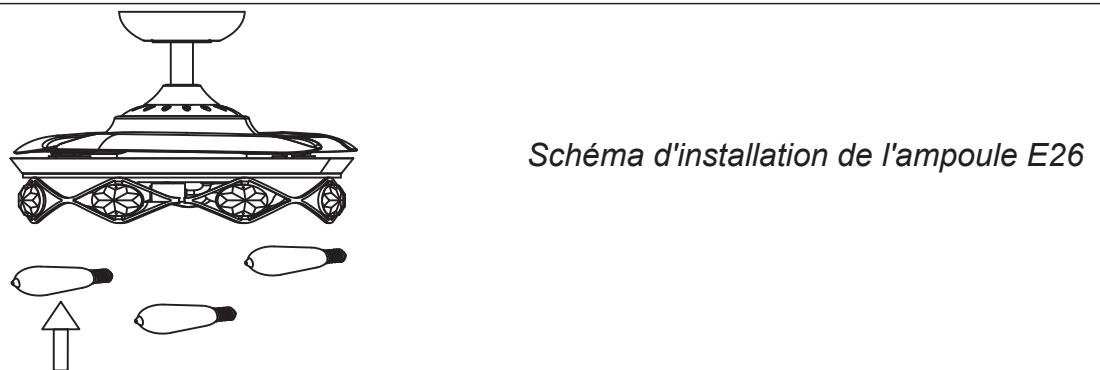
9



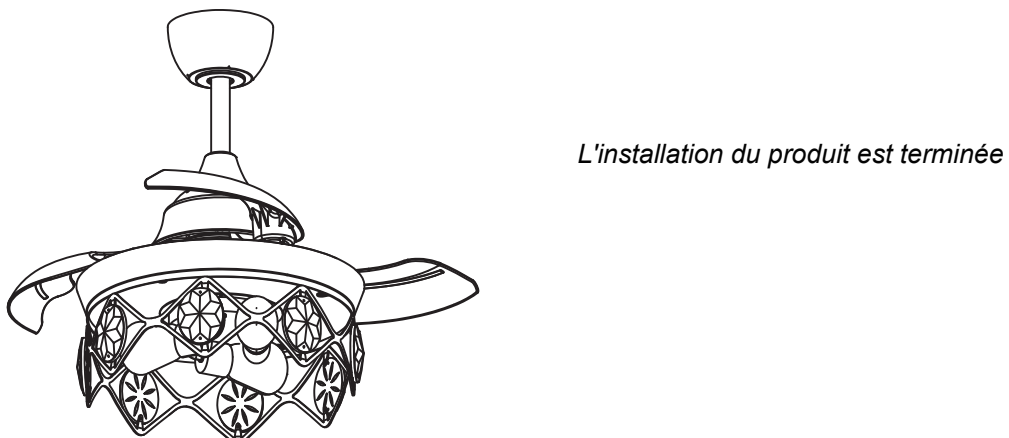
10



11



12



Télécommande

INSTRUCTION D'INSTALLATION ET D'UTILISATION

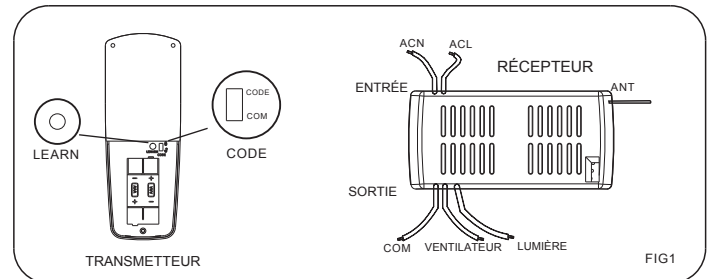
1. INSTALLATION DU RÉCEPTEUR DANS LE VENTILATEUR DE PLAFOND

A. Précautions de sécurité

1. AVERTISSEMENT : HAUTE TENSION ! Débranchez l'alimentation en retirant le fusible ou en coupant le disjoncteur.
2. Ne pas utiliser avec des ventilateurs à semi-conducteurs.
3. Le fil électrique doit répondre à toutes les exigences du code électrique local et national.
4. L'alimentation du ventilateur doit être de 110/120 volts, 60 Hz, 3,5 A.
5. intensité maximale du moteur du ventilateur : 1,0 ampère.
6. puissance maximale de l'éclairage : 180 watts incandescents ou ballast et LED. To Reduce the risk of shock, this fan must be installed
7. Pour réduire le risque de choc, ce ventilateur doit être installé avec un interrupteur/contrôle mural.

B. Installation du récepteur dans le ventilateur

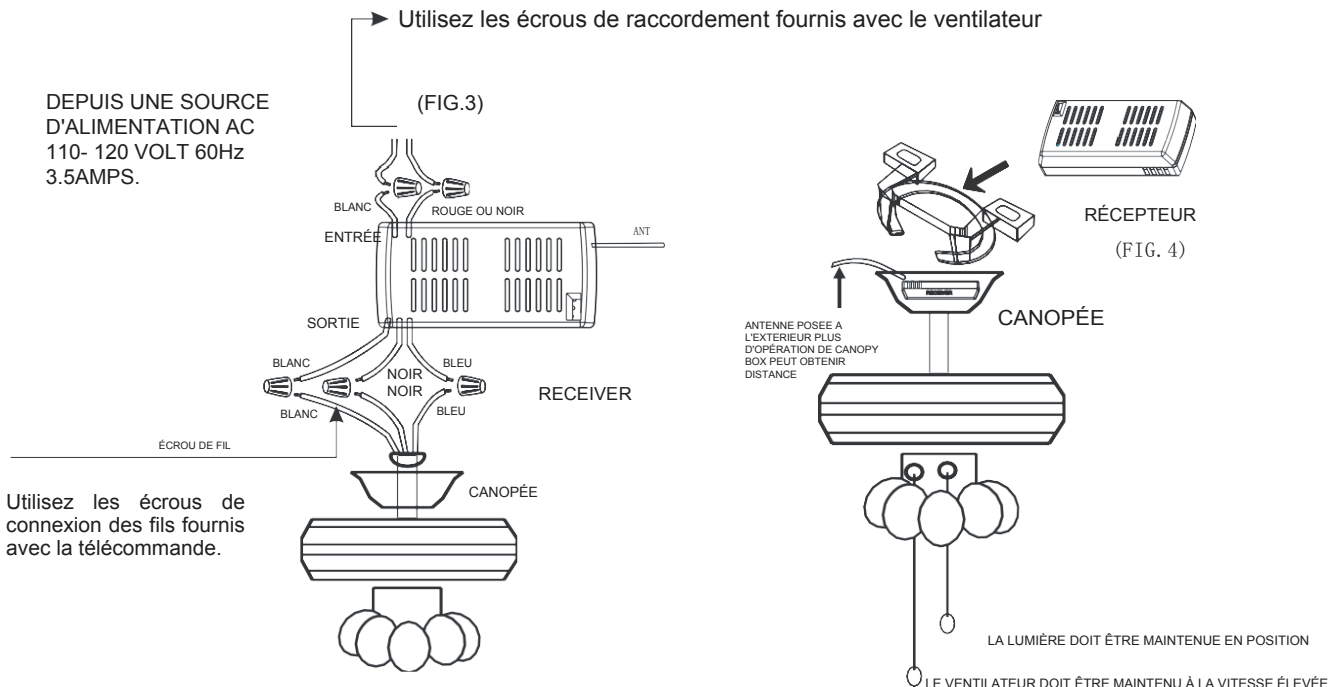
1. Coupez l'alimentation du circuit.
2. Retirez l'auvent du ventilateur de plafond du support de montage.
3. Débranchez le câblage existant entre le ventilateur de plafond et l'alimentation dans la boîte de jonction électrique.
4. Effectuez les connexions comme suit, en utilisant les écrous de fil fournis :



ATTENTION: L'angle Du Plafond Ne Doit Pas Dépasse 30 Degrés,
Pour Le Contrôleur de Montage, Modèle RE-022

CONNECT TO FIL

Fil vert du ventilateurFil d'alimentation à nu
Fil récepteur rouge ou noir (AC IN L)....Fil d'alimentation rouge ou noir
Fil récepteur blanc (AC IN N)....Fil d'alimentation blanc
Fil récepteur blanc (TO MOTOR N)....Fil de ventilateur blanc
Fil récepteur noir (TO MOTOR L)....Fil ventilateur noir
Fil récepteur bleu (pour la lumière)Fil de lumière bleu



Si d'autres ventilateurs ou fils d'alimentation sont de couleur différente, faites installer cette unité par un électricien qualifié et agréé.

- a. Poussez tous les fils connectés vers le haut dans la boîte de jonction.
- b. Posez le fil d'antenne marron sur le récepteur, et placez le récepteur dans le support de montage.
- c. Réinstallez l'auvent sur le support de montage.
- d. Rétablissez l'alimentation.
- e. Installez une batterie de 1,5 volt . (Pour éviter d'endommager l'émetteur, retirez la batterie si vous ne l'utilisez pas pendant une longue période).
- f. Rangez l'émetteur à l'abri d'une chaleur ou d'une humidité excessive.
- g. Cette télécommande est équipée de combinaisons de codes à rouleau. Afin d'éviter toute interférence possible avec d'autres unités à distance telles que des ouvreurs de porte de garage, des alarmes de voiture ou des systèmes de sécurité. Si vous constatez que votre ventilateur et votre kit d'éclairage s'allument et s'éteignent sans l'aide de votre télécommande, il suffit de modifier la combinaison de codes de votre émetteur et de votre récepteur.

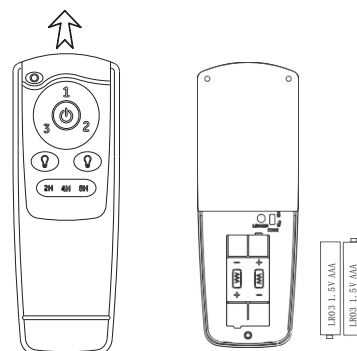
VERTISSEMENT : COUPER L'ALIMENTATION AU FUSIBLE OU AU DISJONCTEUR

2. TRANSMETTEUR EN FONCTIONNEMENT

Utilisation des boutons sur le panneau de l'émetteur.

- Touche 3 - pour la haute vitesse du ventilateur.
- Touche 2 - pour la vitesse moyenne du ventilateur.
- Touche 1 - pour la basse vitesse du ventilateur.
- Touche OFF pour arrêter le ventilateur.
- Touche LIGHT pour allumer et éteindre la lumière.
- Touche 2hr , 4hr , 8hr pour régler la minuterie de mise en veille du ventilateur.

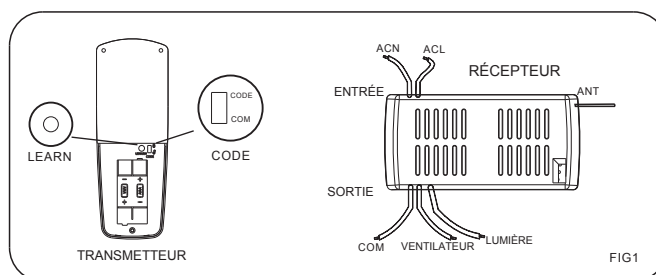
VOTRE TÉLÉCOMMANDE A MAINTENANT LE CONTRÔLE TOTAL DU
VENTILATEUR ET DE LA LUMIÈRE



MODÈLE : GA012
DISTANCE D'OPÉRATION 20 PIEDS

3. GUIDE DE DÉPANNAGE

- a. Alimentation du récepteur ?
- b. Le récepteur est-il correctement câblé ?
- c. La commande manuelle de vitesse du ventilateur est en position haute ?
- d. L'interrupteur du kit d'éclairage est allumé ?
- e. La batterie de l'émetteur est bonne ?



Si deux ou plusieurs ventilateurs de plafond sont installés dans la même maison, afin d'éviter que vos ventilateurs de plafond ne soient affectés par la télécommande des ventilateurs de plafond adjacents, mettez d'abord l'interrupteur de chaque émetteur de télécommande en position CODE (UP) (voir le schéma FIG1). schéma de principe FIG1) Remarques : L'état standard de l'émetteur est en position CODE(UP).

(La mise hors tension signifie que vous devez utiliser un interrupteur mural pour couper l'alimentation du ventilateur de plafond, si vous ne disposez pas d'un interrupteur mural, veuillez éteindre toute la pièce à partir du disjoncteur d'air de chaque pièce)

Après avoir installé le récepteur de la télécommande sur le ventilateur de plafond

1: Turn on the power of the 1# ceiling fan receiver (the power of the 2# receiver is kept in a power-off state), within 30 seconds after the fan power is turned on, press the LEARN button corresponding to the 1# transmitter, then The receiver will learn the transmitter code.

Lorsque le code de l'émetteur est appris avec succès, la lumière des ventilateurs de plafond clignote deux fois, puis ils peuvent être utilisés normalement.

2: Mettez le récepteur 2# du ventilateur de plafond sous tension (le récepteur 1# reste hors tension), dans les 30 secondes qui suivent la mise sous tension du ventilateur, appuyez sur le bouton LEARN correspondant à l'émetteur 2#. la mise sous tension du ventilateur, appuyez sur le bouton LEARN correspondant à l'émetteur 2#, puis le récepteur apprendra le code de l'émetteur.

Lorsque le code de l'émetteur est appris avec succès, la lumière des ventilateurs de plafond clignote deux fois, puis ils peuvent être utilisés normalement.

Et ainsi de suite, un seul ventilateur de plafond est mis sous tension à chaque apprentissage de l'émetteur correspondant.

Une fois que les émetteurs de télécommande 1# et 2# ont été appris avec succès, mettez les deux ventilateurs de plafond sous tension. A ce moment-là, l'émetteur 1# et l'émetteur 2# peuvent être utilisés séparément pour un ventilateur de plafond.

Déclaration de la FCC :

Cet appareil est conforme à la partie 15 des règles de la FCC. Son utilisation est soumise aux deux conditions suivantes.

Cet appareil ne doit pas causer d'interférences nuisibles.

Cet appareil doit accepter toute interférence reçue, y compris les interférences susceptibles de provoquer un fonctionnement indésirable.

Les changements ou modifications non expressément approuvés par la partie responsable de la conformité peuvent annuler l'autorité de l'utilisateur à utiliser l'équipement. l'autorisation d'utiliser l'équipement.

REMARQUE : Cet équipement a été testé et déclaré conforme aux limites d'un appareil numérique de classe B, conformément à la partie 15 des règles de la FCC. Ces limites sont conçues pour fournir une protection raisonnable contre les interférences nuisibles dans une installation résidentielle. Cet équipement génère, utilise et peut émettre de l'énergie de fréquence radio et, s'il n'est pas installé et utilisé conformément aux instructions, peut causer des interférences nuisibles aux communications radio,

Mais, il n'y a aucune garantie que des interférences ne se produiront pas dans une installation particulière. Si l'équipement cause des interférences nuisibles à la réception de la radio ou de la télévision, ce qui peut être déterminé en éteignant et en allumant l'équipement, l'utilisateur est encouragé à essayer de corriger les interférences par une ou plusieurs des mesures suivantes :

--- Réorienter ou déplacer l'antenne de réception.

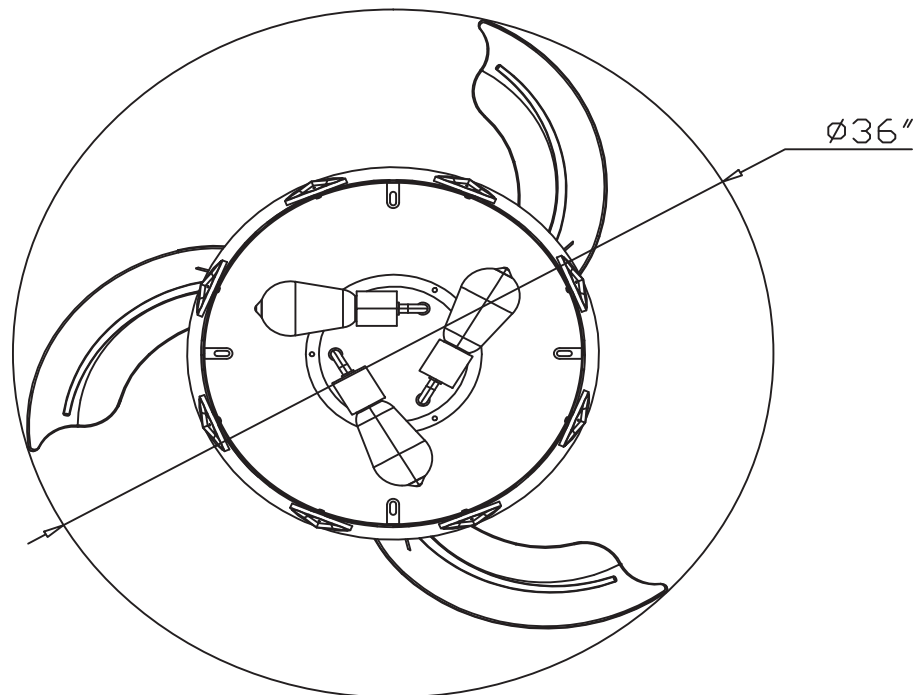
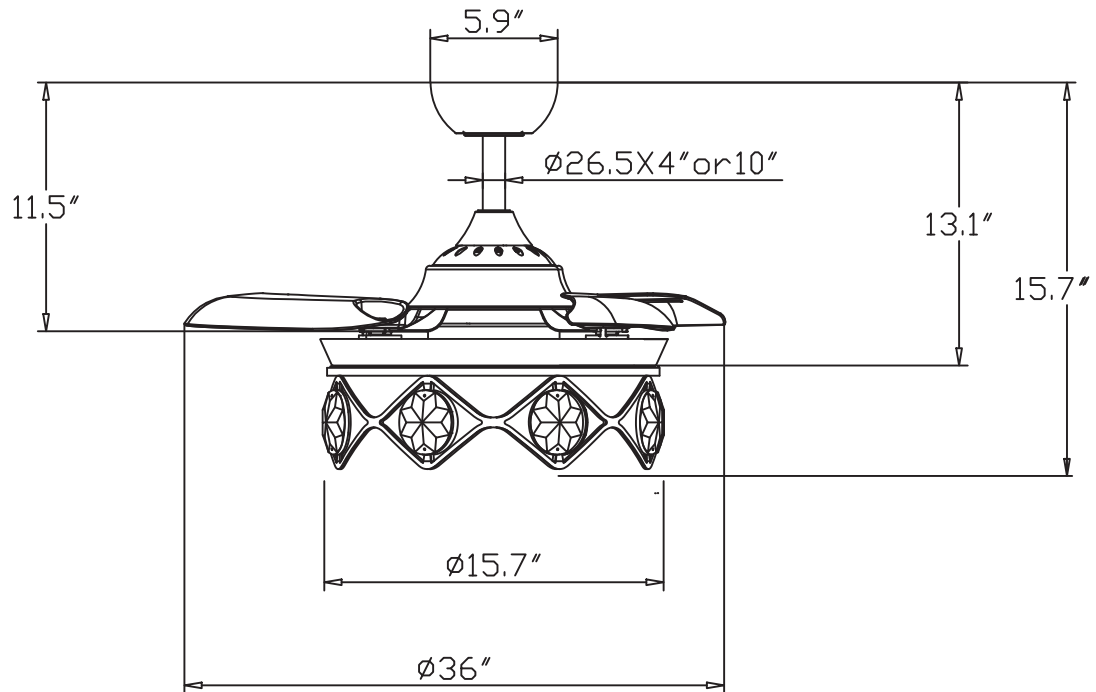
--- Augmenter la distance entre l'équipement et le récepteur.

--- Connecter l'équipement à une prise sur un circuit différent de celui du récepteur. Connectez l'appareil à une prise de courant sur un circuit différent de celui auquel le récepteur est connecté.

--- Consulter le revendeur ou un technicien radio/télévision expérimenté pour obtenir de l'aide.

VERTISSEMENT : COUPER L'ALIMENTATION AU FUSIBLE OU AU DISJONCTEUR

Taille Du Produit





Parrot Uncle

F3531CH110V

Instructions d'installation et d'utilisation pour le
Installation du propriétaire de Parrotuncle, manue

VERTISSEMENT : COUPER L'ALIMENTATION AU FUSIBLE OU AU DISJONCTEUR

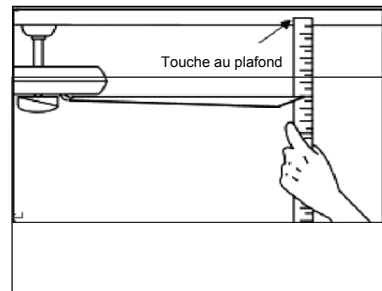
APRÈS L'INSTALLATION

OSCILLATION"

Les pales du ventilateur ont été réglées en usine pour minimiser toute oscillation.

NOTE: CEILING FANS TEND TO MOVE DURING OPERATION DUE TO THE FACT THAT THEY ARE MOUNTED ON A RUBBER CROMMET. IF THE FAN WAS MOUNTED RIGIDLY TO THE CEILING, IT WOULD CAUSE EXCESS VIBRATION. MOVEMENT OF A FEW CENTIMETERS IS QUITE ACCEPTABLE AND DOES NOT SUGGEST ANY PROBLEM TO REDUCE THE FAN WOBBLE: PLEASE CHECK THAT ALL SCREWS WHICH SECURED THE MOUNTING BRACKET AND DOWNROD ARE SECURE.
BALANCING A WOBBLING CEILING FAN:

1. Vérifiez que toutes les vis des pales et du bras de pale sont bien fixées.
2. La plupart des problèmes d'oscillation du ventilateur sont dus à l'inégalité du niveau des pales. Vérifiez ce niveau en en choisissant un point du plafond au-dessus de l'extrémité de l'une des pales. pales. Mesurez cette distance. Faites tourner le ventilateur jusqu'à ce que la pale suivante soit positionnée pour la mesure. mesure. Répétez l'opération pour chaque pale. L'écart de distance doit être égal à 1/8"(0,32cm).
3. si l'oscillation des pales est toujours perceptible, l'échange de deux pales adjacentes (côte à côte) peut redistribuer l'écart entre les pales. deux lames adjacentes (côte à côte) peut redistribuer le poids et éventuellement permettre un fonctionnement plus régulier.



AVERTISSEMENT : POUR RÉDUIRE LES RISQUES DE BLESSURES, NE PLIEZ PAS LE BRAS DE PALE LORS DE L'INSTALLATION, DE L'ÉQUILIBRAGE DES PALES OU DU NETTOYAGE DU VENTILATEUR. N'INSÉREZ PAS D'OBJETS ÉTRANGERS ENTRE LES PALES DU VENTILATEUR EN ROTATION.

BRUIT

Par temps calme (surtout la nuit), vous pouvez entendre de petits bruits occasionnels. C'est normal. Prévoyez une période de rodage de 24 heures, la plupart des bruits associés à un nouveau ventilateur disparaissent pendant cette période. La plupart des bruits associés à un nouveau ventilateur disparaissent pendant cette période.

ENTRETIEN ET NETTOYAGE

1. Le nettoyage périodique de votre ventilateur de plafond est le seul entretien nécessaire. Utilisez une brosse douce ou un chiffon non pelucheux pour éviter de rayer la peinture. Veillez à éteindre l'électricité avant de nettoyer votre ventilateur.
2. n'utilisez pas d'eau pour nettoyer votre ventilateur de plafond. Cela pourrait endommager le moteur ou les pales et créer un risque d'électrocution.
3. le moteur est équipé d'un roulement à billes lubrifié en permanence. Il n'est pas nécessaire de l'huiler.

NOTE : ASSUREZ-VOUS QUE LE COURANT EST COUPÉ AU NIVEAU DU PANNEAU ÉLECTRIQUE AVANT D'ENTREPRENDRE TOUT NETTOYAGE OU TOUTE RÉPARATION. DE NETTOYER OU DE RÉPARER L'APPAREIL.



Parrot Uncle

