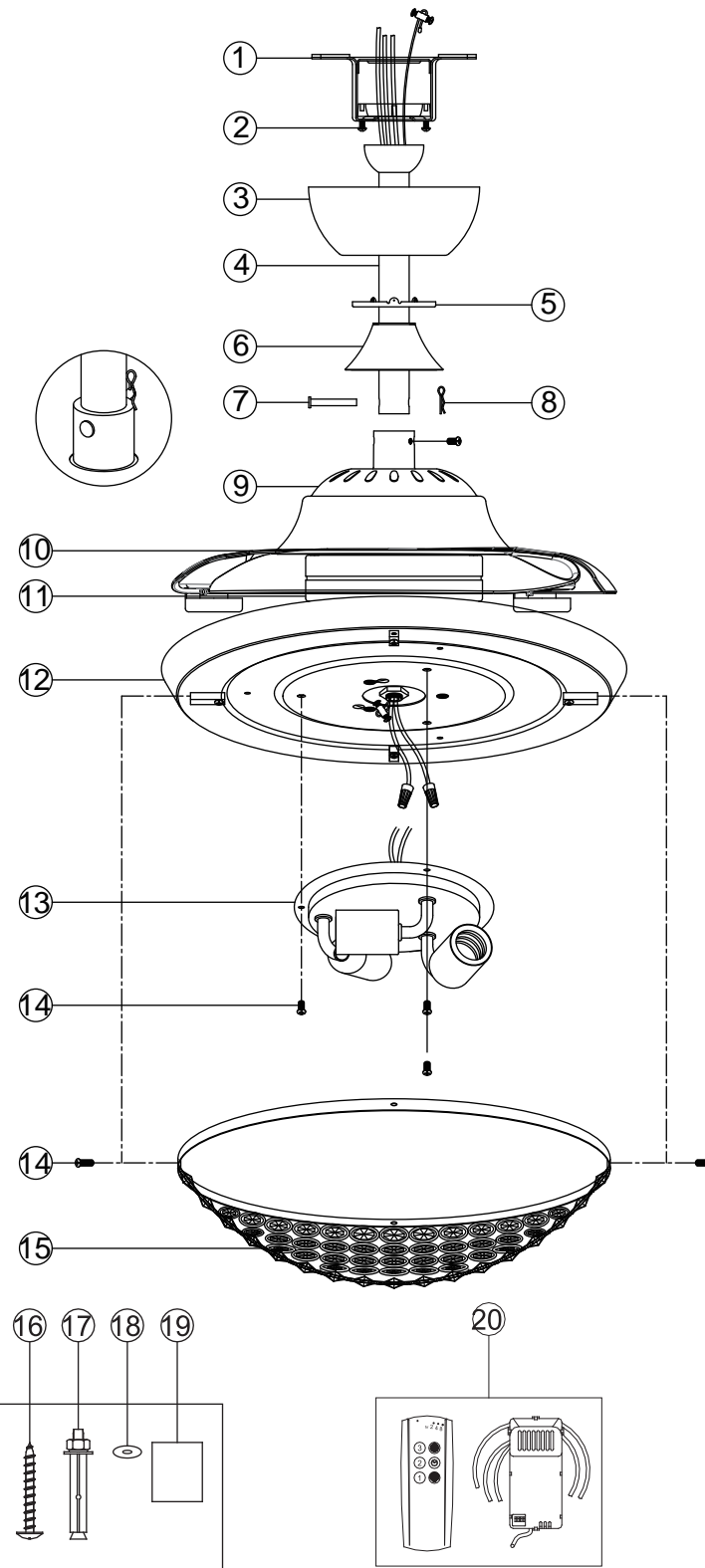


BEFORE INSTALLATION

Unpack your fan and check the contents.You should have followings:



1. Mounting Bracket
2. Canopy screws
3. Canopy
4. Downrod&hanger ball
5. Canopy cover
6. Coupling cover
7. Bolt
8. Lock pin
9. Top housing
10. Blades
11. Fan motor assembly
12. Base plate
13. Light kit
14. Light and Lampshade screws
15. Crystal Lampshade
16. Wood screws
17. Expansion screws
18. Screw washers
19. Balance tapes
20. Remote control set

THANK YOU FOR YOUR PURCHASE

Thank you for purchasing this quality product.To ensure correct function and safety, please read and save all instructions before using the product

CAUTION

READ INSTRUCTIONS CAREFULLY FOR SAFE
INSTALLATION AND FAN OPERATION. IF UNSURE CONSULT
A QUALIFIED ELECTRICIAN



SAFETY RULES

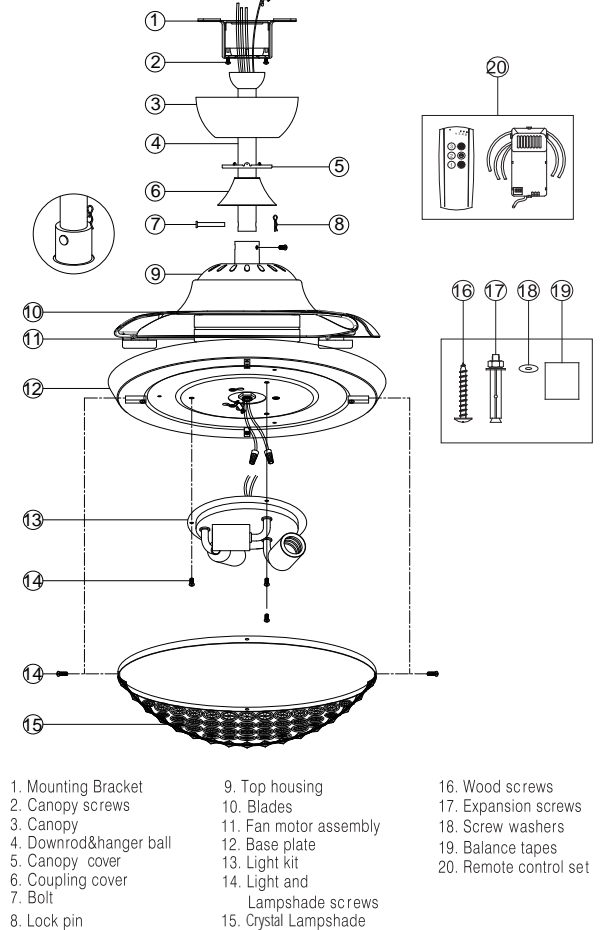
1. To reduce the risk of electric shock, insure electricity has been turned off at the circuit breaker or fuse box before beginning.
2. All wiring must be in accordance with the National Electrical Code and local electrical codes. Electrical installation should be performed by a qualified licensed electrician.
3. **WARNING:** To reduce the risk of electrical shock and fire, do not use this fan with any solid-state fan speed control device.
4. **WARNING:** To reduce the risk of fire, electric shock, or personal injury, mount to outlet box marked "Acceptable for Fan Support of 45kg (99.12 lbs.) Or Less" and use mounting screws provided with the outlet box. Most outlet boxes commonly used for the support of light fixtures are not acceptable for fan support and may need to be replaced. Due to the complexity of the installation of this fan, a qualified licensed electrician is strongly recommended.
5. The outlet box and support structure must be securely mounted and capable of reliably supporting a minimum of 45KGS. Use only UL Listed outlet boxes marked FOR FAN SUPPORT.
6. The fan must be mounted with a minimum of 7 feet clearance from the trailing edge of the blades to the floor.
7. Avoid placing objects in the path of the blades.
8. To avoid personal injury or damage to the fan and other items, be cautious when working around or cleaning the fan.
9. Do not use water or detergents when cleaning the fan or fan blades. A dry dust cloth or lightly dampened cloth will be suitable for most cleaning.
10. After making electrical connections, spliced conductors should be turned upward and pushed carefully up into the outlet box. The wires should be spread apart with the grounded conductor and the equipment-grounding conductor on one side of the outlet box.
11. Electrical diagrams are for reference only.
12. The fan is suitable for indoor use only.
13. **Please do not use the fan in a specific environment like high temperature environment, high radiation environment, lampblack or other abnormal use environments.**

TECHNICAL INFORMATION

SKU	Rated Voltage	Rated power(motor)	Light CCT.
F3503	110-120V AC	34W	E26 3*40W(MAX.) EXCLUDE

BEFORE INSTALLATION

Unpack your fan and check the contents.You should have followings:



1. Mounting Bracket
2. Canopy screws
3. Canopy
4. Downrod&hanger ball
5. Canopy cover
6. Coupling cover
7. Bolt
8. Lock pin
9. Top housing
10. Blades
11. Fan motor assembly
12. Base plate
13. Light kit
14. Light and Lampshade screws
15. Crystal Lampshade
16. Wood screws
17. Expansion screws
18. Screw washers
19. Balance tapes
20. Remote control set

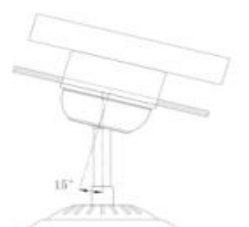
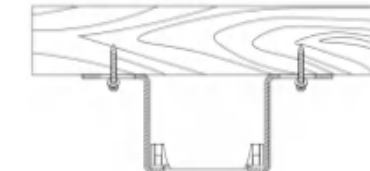
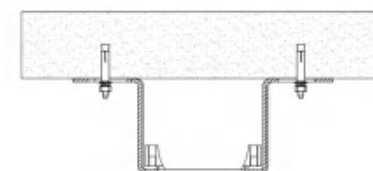
INSTALLING THE FAN

Tools Required: Phillips screwdriver , Pair of pliers, straight slot screwdriver , adjustable wrench, step ladder , and wire cutters.

INSTALLING THE MOUNTING BRACKET

The ceiling fan must be installed in a location so that the blades are 300mm spacing from the tip of the blade to the nearest objects or walls. When hanging the Fan REMEMBER to turn off the power. Follow the instruction below to hang your fan properly:

1. For the concrete ceiling, drill two holes in the ceiling and secure the mounting bracket to the ceiling with two $\Phi 8$ (distance between the two holes should be appropriate) expansion screws, flat washers,nuts provided and tighten with a spanner.
2. For the wood ceiling, Secure the mounting bracket to the ceiling is capable of carrying a load of at least 45KGS with two long mounting screws and washers provided. Be sure at least 30mm of the screw is threaded into the support.
3. Refer to the Fig. in right for mounting when the ceiling is angled max. 15 degree angle.



NOTE:Hanger after the installation must be able to withstand the weight of 45kg or more.

INSTALLING THE DOWNROD

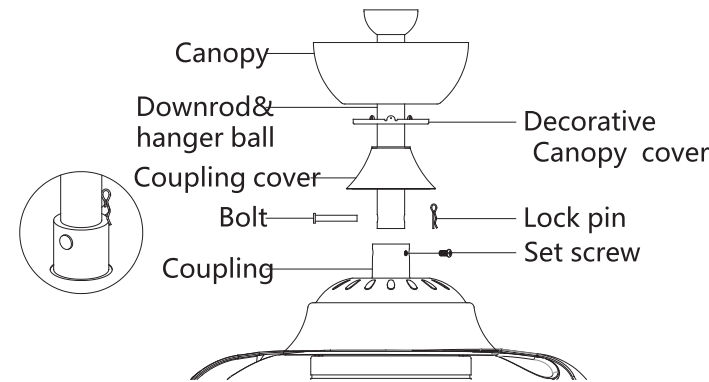
When hanging the Fan REMEMBER to turn off the power. Follow the steps below to hang your fan properly:

- 1)Remove the bolt, lock pin and set screws from the top of the housing
- 2)Route wires exiting from the top of the fan motor through the bolt&pin , canopy and then through the ball / downrod.
- 3)Align the holes at the bottom of the downrod with the holes in the coupling on top of the top housing .
- 4)Carefully insert the Bolt through the holes in the Coupling and downrod . Be careful not to jam the Bolt against the wiring inside the downrod. Insert the locking pin through the hole near the end of the Bolt until it snaps into its locked position.
- 5)Tighten two set screws on top of the fan housing firmly

CHANGING THE DOWNROD (OPTIONAL)

NOTE: Your fan comes with a 25cm downrod attached to the hanger ball. In addition, a 10cm downrod has been provided to be used in case the ceiling is lower.In this case, perform the following steps for correct installation:

1. Remove the hanger ball from downrod by loosening the setscrew at the top of the downrod which holds the hanger ball to the downrod.
2. Slide the hanger ball down the downrod and remove the support pin.
3. Insert the support pin in the holes at the top of the 10cm downrod and slide the hanger ball up the 10cm downrod. Make sure the support pin is properly seated in the grooves in the top of the hanger ball.
- 4.Tighten the set crews firmly .



SAFETY CABLE INSTALLATION

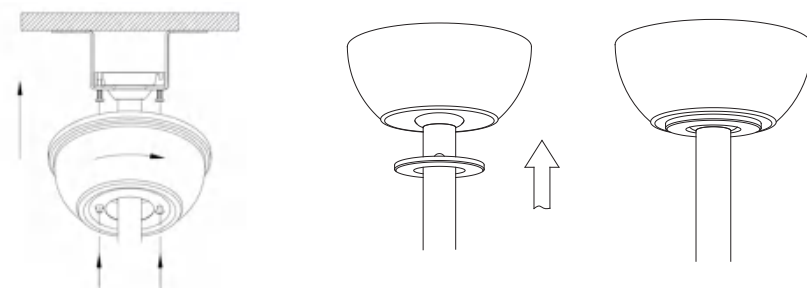
For Canadian installation and for USA fan and light kit combinations over 35 lbs, the safety cable must be installed into the house structure beams. Make sure that when the safety cable is fully extended the lead wires are longer than the cable and no stress is placed on the lead wires. Note: If installing The Secondary Support Safety Cable in the U.S., Do Not Remove Knockouts In The Outlet Box.



INSTALLING THE FAN TO MOUNTING BRACKET ON CEILING

WARNING:To avoid possible electrical dhock . be sure electricity is turned off at the main fuse box before wiring.

- 1.Install ball end of downrod into mounting bracket opening. Align (engage) slot on ball with tab on mounting bracket. Warning: Failure to align slot on ball with tab may result in serious injury.
- 2.Slide the canopy up to ceiling and align the keyhole slots on the canopy with the preassembled screws on the hanger bracket. Twist clockwise until locks.Tighten two screws securely.
- 3.Attach the decorative canopy cover to the bottom of the canopy by pressing it until it locks.



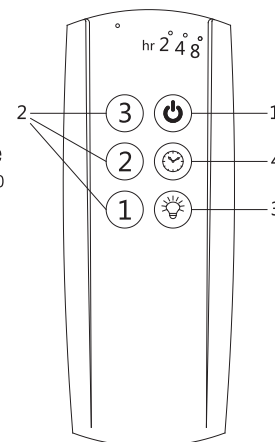
USING YOUR CEILING FAN

REMOTE CONTROL

Turn on the power and check the operation of the fan

- 1- Fan Shutdown
- 2- Speed Controlle
- 3- Lamp Switch
- 4- Timer(2H,4H,8H)

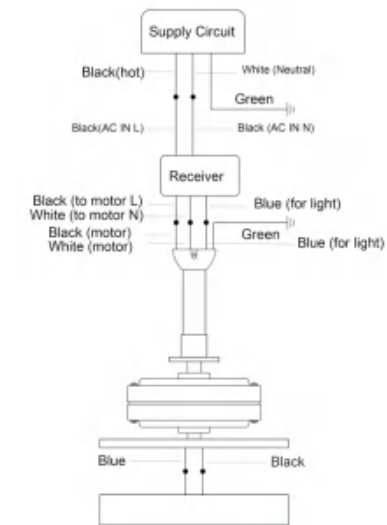
Reverse function
Slide the forward/reverse switch on the coupling to get desired airflow direction



MAKE THE ELECTRIC CONNECTIONS

WARNING:To avoid possible electrical shock, be sure electricity is turned off at the main fuse box before wiring.

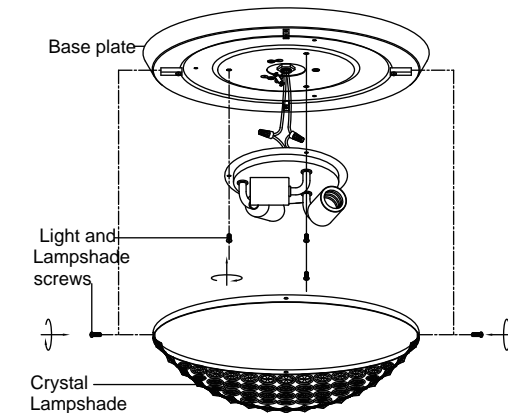
1. Insert the receiver into the mounting bracket with the flat side of the receiver facing the ceiling.
2. Motor to Receiver Electrical Connections: Connect the Black wire from the fan to Black wire from the receiver. Connect the white wire from the fan to the white wire from the receiver. Connect the blue wire from the fan to the Blue wire from the receive. Secure wire connections with the wire nuts provided.
3. Receiver to House supply wires Electrical Connections: Connect the black(hot) wire from the ceiling to the black wire from the receiver.Connect the white(neutral) wire from the ceiling to the white wire from the Receiver. Secure the wire connections with the wire nuts provided.
4. Light kit to motor wires Electrical Connections: Connect the two white wires from light pan to the black and blue wires from fan. Secure the wire connections with the wire nuts provided.



INSTALLING THE LIGHT KIT

- 1.Remove the 7 Light and Lampshade screws preassembled from the screws on the base plate. Connect white and blue wires from light kit and Crystal Lampshade to the white and blue wires from fan, using wire nuts provided. Attach the light fixture onto the base plate. Aligning the 3 holes on the light fixture with and the 4 holes on the the Crystal Lampshade fixture with There are 7 screw holes in the bottom plate. Reinstall the 7 Light and Lampshade screws that were just removed. And tighten all nuts and screws securely .
2. Install 3 X Max.25 watt bulbs (bulb not included)

WARNING: Over lamping the fan will result in the fan lights shutting down until the proper wattage of bulbs are installed. Replace bulbs with the correct wattage bulbs, turn the power on.
WARNING: Do not replace bulb until it cools down.



AFTER INSTRUCTION

WOBBLE

The fan blades have been adjusted in the factory to minimize any wobble
NOTE:CEILING FANS TEND TO MOVE DURING OPERATION DUE TO THE FACT THAT THEY ARE MOUNTED ON A RUBBER CROMMET. IF THE FAN WAS MOUNTED RIGIDLY TO THE CEILING, IT WOULD CAUSE EXCESS VIBRATION. MOVEMENT OF A FEW CENTIMENTERS IS QUITE ACCEPTABLE AND DOES NOT SUGGEST ANY PROBLEM
TO REDUCE THE FAN WOBBLE: PLEASE CHECK THAT ALL SCREWS WHICH SECURED THE MOUNTING BRACKET AND DOWNROD ARE SECURE.

BALANCING A WOBBLING CEILING FAN:

For your convenience, a Balancing Kit is included; please follow this procedure when balancing the fan:

- 1) Install fan without light dome before balancing the fan.
- 2) Define the base plate into four areas(point A,B,C&D). Use one weight from the balance kit to lightly stick on the edge of the base plate(Point A), if the wobble worsens, then take off the balance kit to lightly stick on the opposite side(Point B); if the wobble is worse,then go to the adjacent point C or D, if the wobble gets better, then securely stick on the weight at this location on the base plate.
- 3) After balancing the fan, assemble the light dome to the light base.

NOISE

When it is quiet(especially at night) you may hear occasional small noises. Slight power fluctuations and frequency signals superimposed in the electricity for off-peak hot water control, may cause a change in fan motor noise. This is normal. Please allow a 24-hour "breaking-in"period, most noises associated with a new fan disappear during the time. The manufacturer's warranty covers actual faults that may develop and NOT minor complaints such as hearing the motor run – All electric motors are audible to some extent.

CARE AND CLEANING

1. Periodic cleaning of your ceiling fan is the only maintenance required. Use a soft brush or lint ree cloth to avoid scratching the paint finish. Please make sure to turn off electricity power before you clean your fan
2. Do not use water when cleaning your ceiling fan. It could damage the motor or the blades and create the possibility of an electrical shock.
3. Motor has permanently lubricated ball bearing. No need to oil

NOTE: MAKE SURE THE POWER IS OFF AT THE ELECTRICAL PANEL BOX BEFORE YOU ATTEMPT ANY CLEANING OR REPA