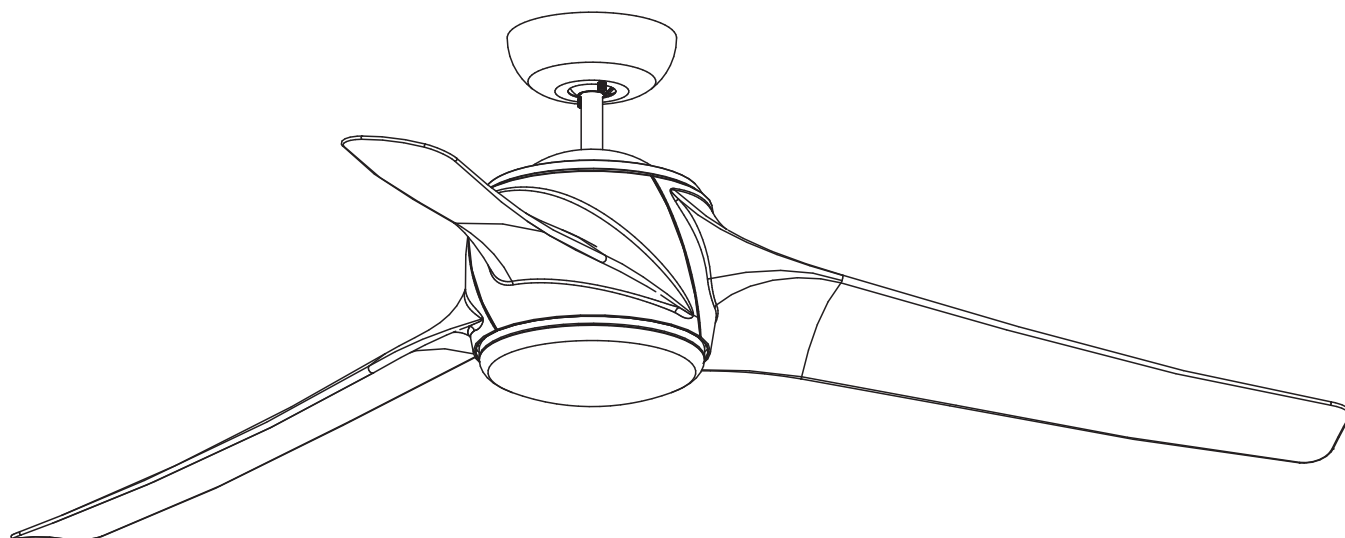


**Parrot Uncle**

---

**CEILING FAN**



**60" Ceiling Fan Owner's Manual**  
**BBCF860**

**USE AND CARE GUIDE**

---

---

# Table of Contents

Section	Page
Safety Instructions	2
1. Unpacking Instructions	3-4
2. Electrical Requirements	4
3. Ceiling Fan Assembly	5-10
4. How to Hang Your Ceiling Fan	10-11
5. Light Kit Assembly	12-13
6. Optional Installation of No-Light Plate Assembly	13-14
7. How to Wire Your Ceiling Fan	15-16
8. Final Assembly	17
9. Wall Control Procedures	18
10. Wall Control Installation	19-22
11. Programming the Receiver Operating Frequency & High Speed Conditioning of Fan Control	23

Section	Page
12. Using Your Ceiling Fan	24
13. Maintenance	25
14. Energy Efficient Use of Ceiling Fans	25
15. Light Kit LED Array Assembly Replacement	26-27
16. Light Kit LED Driver Replacement	27-31
17. Troubleshooting	32

## READ AND SAVE THESE INSTRUCTIONS

### Safety Instructions

#### **WARNING**

TO REDUCE THE RISK OF FIRE, ELECTRICAL SHOCK, OR INJURY TO PERSONS, OBSERVE THE FOLLOWING:

- a. Use this unit only in a manner intended by the manufacturer. If you have questions, contact the manufacturer.
- b. Before servicing or cleaning unit, switch power off at service panel and lock service panel disconnecting means to prevent power from being switched on accidentally. When the service disconnecting means cannot be locked, securely fasten a warning device, such as a tag, to the service panel.

1. Read your owner's manual carefully and keep it for future reference.
2. Be careful of the fan and blades when cleaning, painting, or working near the fan. Always turn off the power to the ceiling fan before servicing.
3. Do not put anything into the fan blades while they are turning.

#### Additional Safety Instructions for Installation

1. To avoid possible shock, be sure electricity is turned off at the main fuse box or circuit breaker panel before wiring, and do not operate fan without blades.
2. All wiring must be in accordance with the National Electrical Code "ANSI/NFPA 70-2017" and Local Electrical Codes. Use the National Electrical Code if Local Codes do not exist. The ceiling fan must be grounded as a precaution against possible electrical shock. Electrical installation should be made or approved by a licensed electrician.
3. The outlet box and joist must be securely mounted and capable of reliably supporting at least 50 pounds. Use only U.L. outlet boxes listed as "Acceptable for Fan Support of 22.7kg. (50 lbs.) or less", and use the mounting screws provided with the outlet box.

Most outlet boxes commonly used for support of light fixtures are not acceptable for fan support and may need to be replaced. Consult a qualified electrician if in doubt.

4. The downrod furnished with the fan provides the minimum recommended floor to fan blade clearance for an 8 foot ceiling.

#### **CAUTION**

To reduce the risk of injury, install the fan so that the blades are at least 7 ft. (2.1m) above the floor.

5. Follow the recommended instructions for the proper method of wiring your ceiling fan. If you do not know enough about electrical wiring, have your fan installed by a licensed electrician.

NOTE: This fan is suitable for use with solid-state speed controls.

NOTE: All set screws must be checked and re-tightened where necessary before installation.

#### **WARNING**

To reduce the risk of electrical shock, this fan must be installed with an isolating wall control/switch.

To reduce the risk of fire or electrical shock, this fan should only be used with fan speed control, Model No. FR-Y786N-04, manufactured by Rhine Electric Co., Ltd. This product is designed to use only those parts supplied with this product and/or any accessories designated specifically for use this product Substitution of parts or accessories not designated for use with this product could result in personal injury or property damage.

To reduce the risk of personal injury, do not bend the blade flange when installing the blade flanges, balancing the blades or cleaning the fan. Do not insert foreign objects in between rotating fan blades.

# 1. Unpacking Instructions

## ⚠ WARNING

Do not install or use fan if any part is damaged or missing.

## ⚠ WARNING

This product is designed to use only those parts supplied with this product and/or any accessories designated specifically for use with this product by Parrot Uncle.

### 1.1

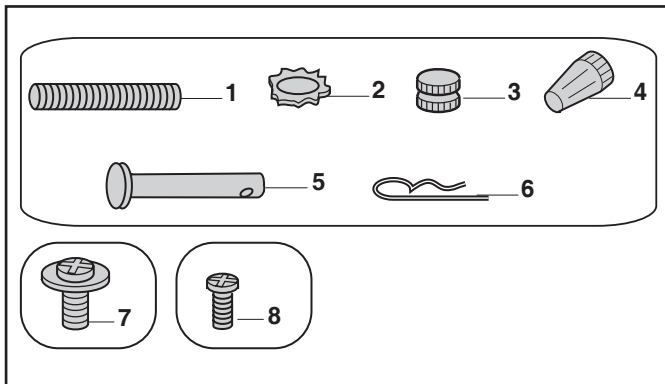
Open carton containing fan. Remove top half of styrofoam unit. Remove parts and check to see that you have received the following parts:

**NOTE: If you are uncertain of part description, refer to exploded view illustration.**

**NOTE: Place the parts from the loose parts bags in a small container to keep them from being lost. If any parts are missing, contact your local retailer or catalog outlet for replacement parts before proceeding.**

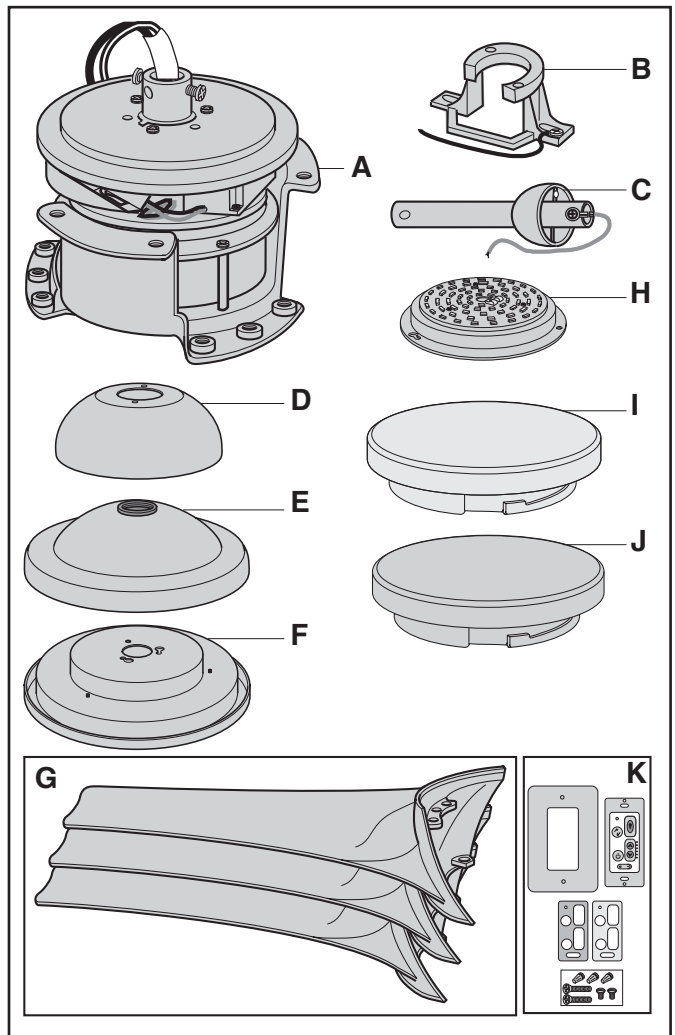
### HARDWARE CONTENTS

Part	Description	Quantity
1	Threaded Studs, #8-32 x 1-1/4"	2
2	Lockwashers, External Tooth, #8	2
3	Knurled Knobs, #8-32	2
4	Wire Connectors	5
5	Clevis Pin	1
6	Hairpin Clip	1
7	Washer Head Screws, #8-32 x .50"	16
8	Pan Head Screws, #6-32 x .375" (Spares)	2



### PACKAGE CONTENTS

Part	Description	Quantity
A	Fan Motor Assembly	1
B	Hanger Bracket	1
C	Hanger Ball/4.5" Downrod	1
D	Ceiling Cover	1
E	Motor Coupler Cover	1
F	Light Kit Adapter	1
G	Fan Blades	3
H	Light Kit Assembly	1
I	Shade	1
J	No-Light Plate	1
K	Wall Control	1



# 1. Unpacking Instructions (Continued)

This Manual Is Designed to Make it as Easy as Possible for You to Assemble, Install, Operate and Maintain Your Ceiling Fan

***THIS FAN IS SUITABLE FOR DAMP LOCATIONS SUCH AS COVERED PORCHES, COVERED PATIOS, AND COVERED DECKS. ANYWHERE THERE IS A ROOF OVERHEAD.***

## Tools Needed for Assembly

One Phillips Head Screwdriver      One Stepladder  
One 1/4" Blade Screwdriver      One Wire Stripper

## Materials

Wiring outlet box and box connectors must be of type required by the local code. The minimum wire would be a 3-conductor (2-wire with ground) of following size:

<u>Installed Wire Length</u>	<u>Wire Size A.W.G.</u>
Up to 50 ft.	14
50-100 ft.	12

Your Ceiling Fan comes supplied with a DC Receiver and Fan Wall Control. This system allows you to regulate your ceiling fan speed and light control.

## WARNING

Before assembling your ceiling fan, refer to section on proper method of wiring your fan (page 15). If you feel you do not have enough wiring knowledge or experience, have your fan installed by a licensed electrician.

## Controls (Sold Separately)

This Ceiling Fan may be used with the following Accessory (sold separately): SR600 Remote Control.

# 2. Electrical Requirements

Your New Ceiling Fan will require a Grounded Electrical Supply Line of 120 volts AC, 60 Hz, 15 amp circuit.

The Outlet Box must be securely anchored and capable of withstanding a load of at least 50 Pounds.

## WARNING

To reduce the risk of fire, electric shock, or personal injury, mount fan to outlet box marked "Acceptable for Fan Support of 22.7 kg. (50 lbs.) or less", and use screws supplied with outlet box. Most outlet boxes commonly used for support of light fixtures are not acceptable for fan support and may need to be replaced. Consult a qualified electrician if in doubt.

If your Fan is to replace an Existing Ceiling Light Fixture, turn Electricity Off at the Main Fuse Box or Circuit Breaker Panel at this time and remove the Existing Light Fixture.

## WARNING

Turning off wall switch is not sufficient. To avoid possible electrical shock, be sure electricity is turned off at the main fuse box or circuit breaker panel before wiring. All wiring must be in accordance with National and Local codes and the ceiling fan must be properly grounded as a precaution against possible electrical shock.

## WARNING

To avoid fire or shock, follow all wiring instructions carefully.

Any electrical work not described in these instructions should be done or approved by a licensed electrician.

## 3. Ceiling Fan Assembly

### 3.1

Flip the upper foam pad over and place on a stable working surface.

Remove the Fan Motor Assembly from the protective plastic bag.

Place Fan Motor Assembly on top of the foam pad with the Upper Motor Cover supporting the weight of the Motor (Figure 1).

This will permit access for the Blades to be installed.

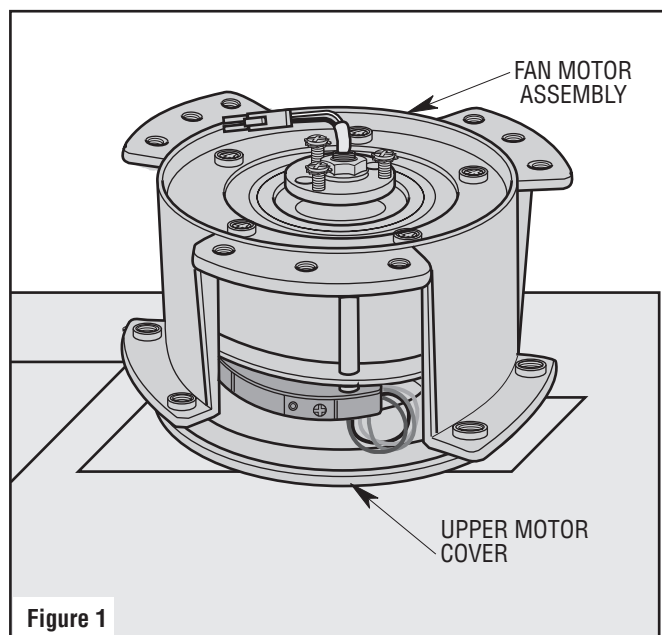


Figure 1

### 3.2

**NOTE: The blades will have screws installed from the top and bottom into the motor assembly.**

Carefully place the first Blade onto the Motor Assembly such that the large mounting Flange with Three Holes aligns with the Three matching Holes of the Motor (Figure 2). The Two bottom Blade Mounting Tabs should align with the mating Mounting Ears on the other side of the Motor.

Install Three Screws into the Blade Holes and loosely fasten to the Motor with a Phillips tip Screwdriver.

Repeat this for each of the other Two Blades. Be careful to align the edge of each Blade with the edge(s) of the adjoining Blades to avoid scratching the paint. Reposition the Blades as needed to form a concentric circle with uniform gaps between the Blades.

After all Three Blades are installed and aligned, completely tighten the Nine Screws. You may hear a popping noise as the Blade edges mate together.

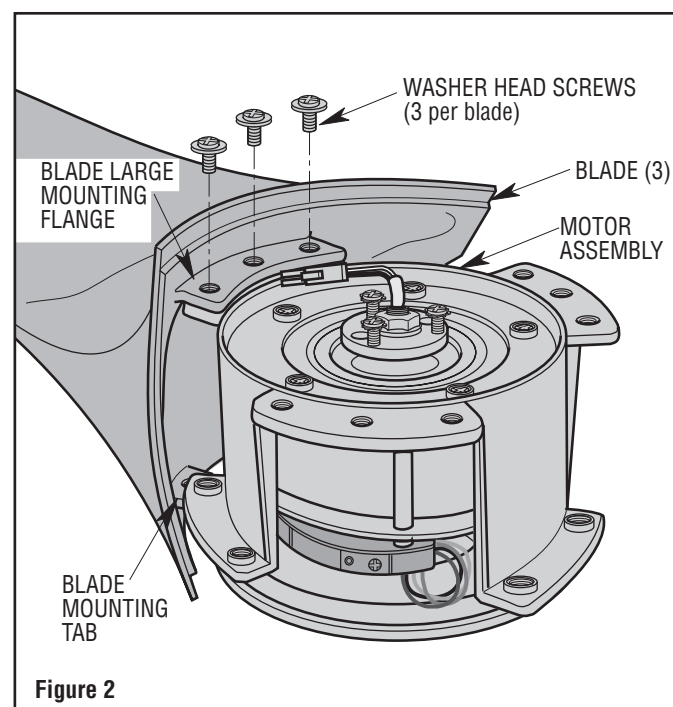


Figure 2

### WARNING

To reduce the risk of personal injury, do not bend the blade assemblies when installing, balancing the blades or cleaning the fan. Do not insert foreign objects in between rotating fan blades.

## 3. Ceiling Fan Assembly (Continued)

### 3.3

Remove One of the Three Pan Head Screws from the Motor Assembly Hub, retain the Screw for future use. Loosen the remaining Two Screws (Figure 3).

Place the 2-pin Motor Assembly connector through the large Center Hole of the Light Kit Adapter (Figure 3).

Position the Light Kit Adapter Key Hole Slots onto the Two loosened Screw Heads. Rotate the Switch Housing Adapter clockwise to engage the Two Screws. Verify that the Serrated Washers are not trapped between the Light Kit Adapter and the Motor Hub. Reinstall the previously removed Screw.

Retighten all Three Screws to securely attach the Light Kit Adapter to the Motor Assembly.

A spare #6-32 x .375" Pan Head Screw is in the parts bag, if needed.

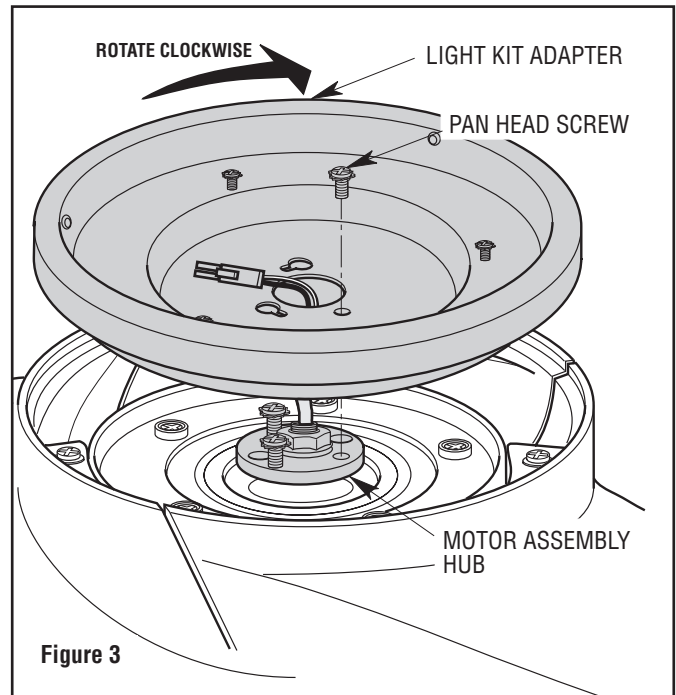


Figure 3

### 3.4

Grasp the Motor by the Light Kit Adapter and Upper Motor Cover, and carefully turn the partially assembled Ceiling Fan over and place directly on top of the foam pad such that the Light Kit Adapter is supporting the weight of the Fan. The Blades should be free to rotate. (Figure 4).

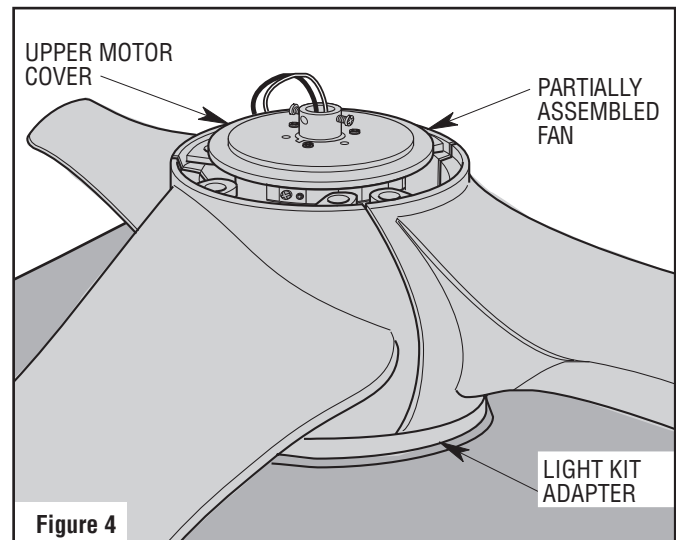


Figure 4

## 3. Ceiling Fan Assembly (Continued)

### 3.5

**NOTE: Installation of the Blade will be complete after this step:**

Align the Two Blade Tab Holes of One Blade with the threaded Holes of the Motor and install a Washer Head Screw into each Hole (Figure 5).

Loosely fasten each Screw into the Motor Ear. It will be necessary push on the Blade with your hand to align the Holes. Have patience during this step.

Repeat the Washer Head Screw installation for each of the remaining Blades.

Fully tighten all Six Screws when the mating Blade Edges are aligned and appear equally spaced.

**NOTE: Installation of the three blade assemblies will form the ceiling fan housing. The blades can be adjusted by loosening the fifteen washer head screws and repositioning the blades. Fully re-tighten all fifteen screws when finished with adjustments.**

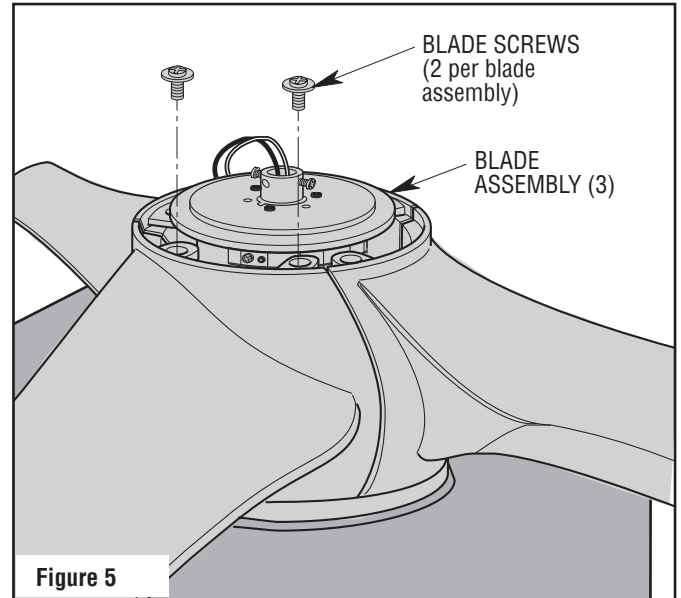


Figure 5

### 3.6

**NOTE: If using a longer accessory downrod, discard the supplied 4.5" downrod and install the longer downrod (sold separately) using the following instructions.**

Remove the Hanger Ball by loosening the Phillips Head Set Screw in the Hanger Ball until the Ball falls freely down the 4.5" Downrod (Figure 6).

Remove the Pin from the 4.5" Downrod, then remove the Hanger Ball (Figure 6).

Retain the Pin and Hanger Ball for reinstallation in Step 3.12.

**NOTE: Do not loosen the screw that attaches the green ground wire to the hanger ball.**

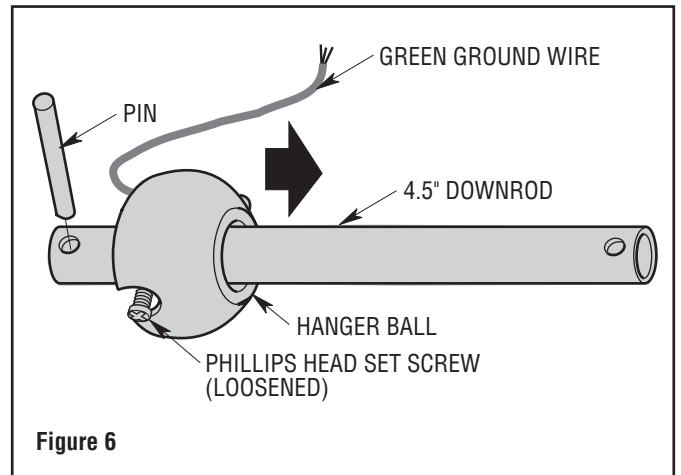


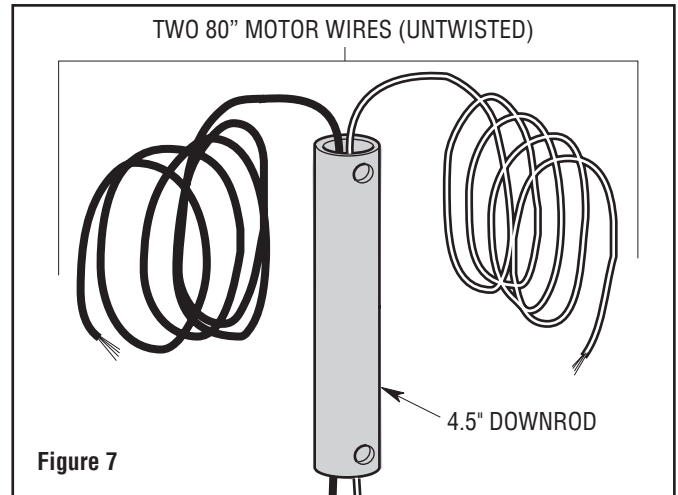
Figure 6



## 3. Ceiling Fan Assembly (Continued)

### 3.7

Separate, untwist and unkink the Two 80" Motor Wires. Route the Two Motor Wires through the 4.5" Downrod (Figure 7).

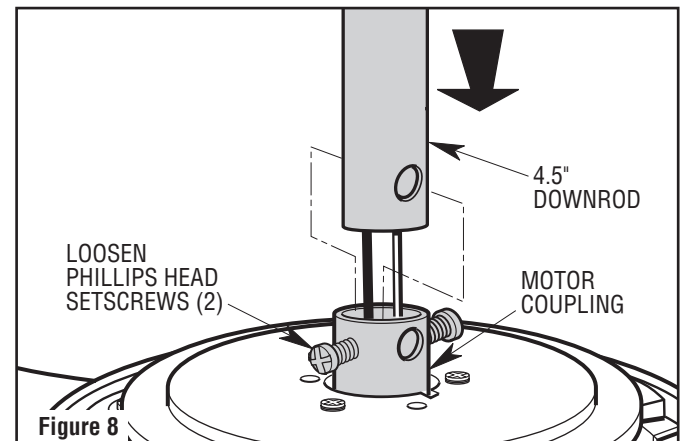


### 3.8

Loosen the Two Phillips Head Set Screws in the Motor Coupler for installation of the Downrod (Figure 8).

Seat the Downrod in the Motor Coupler (Figure 8).

Rotate and align the Downrod Holes with all the Holes in the Motor Coupler (Figure 8).



### 3.9

Align the Clevis Pin Holes in the Downrod with the Holes in the Motor Coupler.

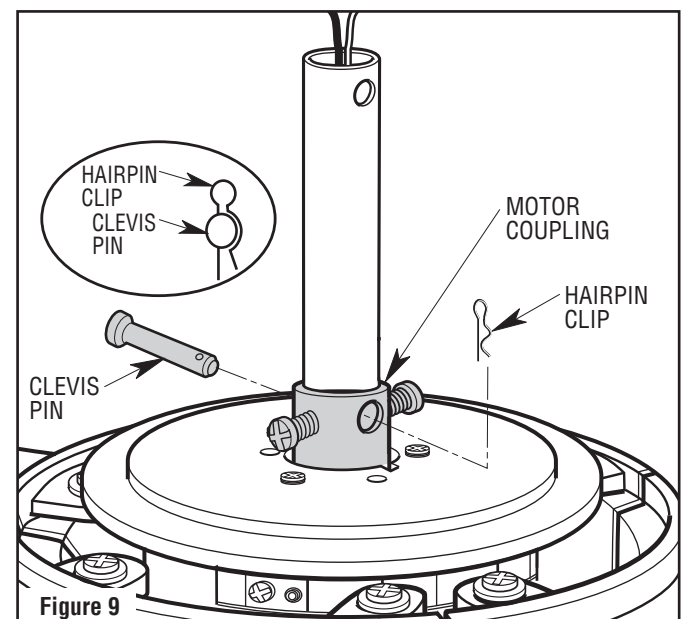
Install the Clevis Pin and secure with the Hairpin Clip (Figure 9).

The Clevis Pin must go through the Holes in the Motor Coupler. It is critical that the Clevis Pin in the Motor Coupler is properly installed and securely tightened.

Evenly retighten the Two Phillips Head Set Screws to secure the Downrod to the Motor Coupler in a vertical position (Figure 9).

#### **⚠ WARNING**

It is critical that the clevis pin and set screws in the motor coupler are properly installed and securely tightened. Failure to verify that the pin and set screws are properly installed could result in the fan falling.

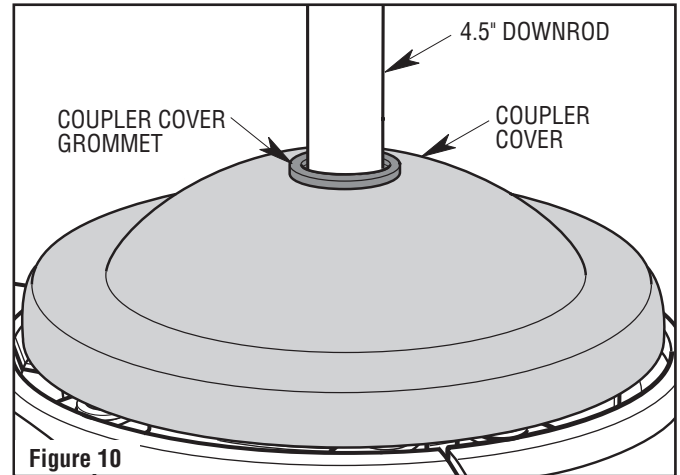




## 3. Ceiling Fan Assembly (Continued)

### 3.10

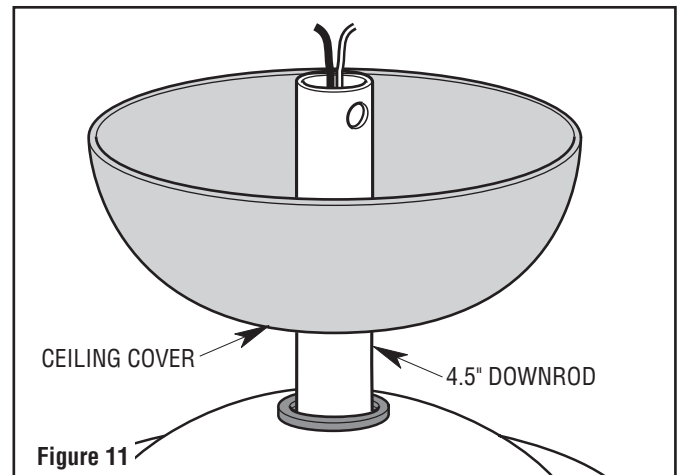
Make sure the Grommet is properly installed in the Motor Coupler Cover, then slide the Motor Coupler Cover on the Downrod until it rests on the Motor Housing (Figure 10).



### 3.11

Place the Ceiling Cover over the Downrod (Figure 11).

Be sure that the Ceiling Cover and the Motor Coupler Cover are both oriented correctly (Figure 11).



### 3.12

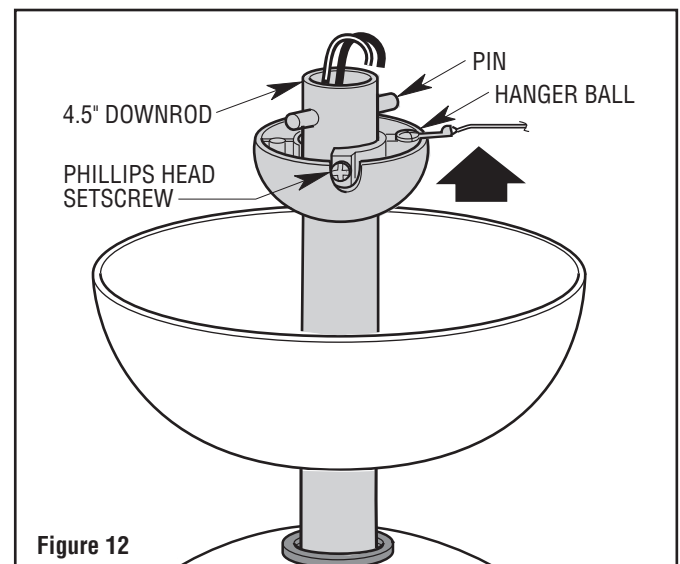
Route the Two 80" Motor Wires through the Hanger Ball (Figure 12).

Reinstall the Hanger Ball on the Downrod as follows:

Position the Pin through the Two Holes in the Downrod and align the Hanger Ball so the Pin is captured in the Groove in the top of the Hanger Ball (Figure 12).

Pull the Hanger Ball up tight against the Pin and securely tighten the Set Screw in the Hanger Ball (Figure 12).

Loose Set Screw could create Fan wobble.



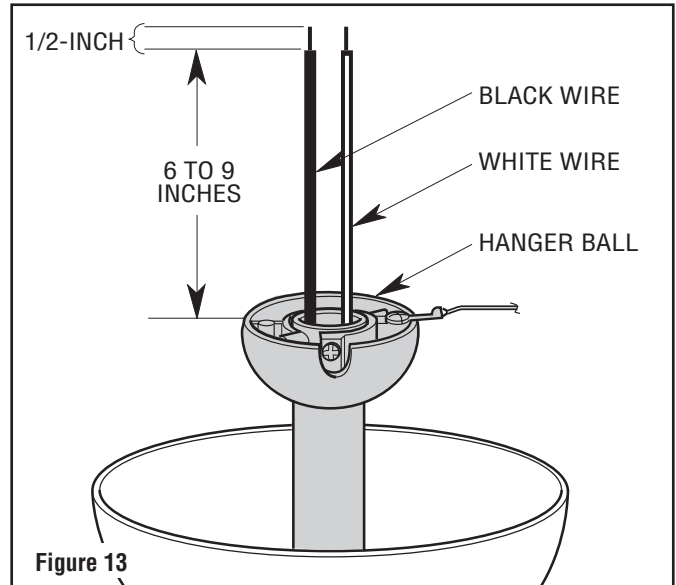
## 3. Ceiling Fan Assembly (Continued)

### 3.13

The Fan comes with Black and White Wires that are 80-inches long.

Measure up approximately 6 to 9-inches above top of Hanger Ball/4.5" Downrod Assembly (Figure 13).

Cut off excess Wires and strip back insulation 1/2-inch from end of Wires.



## 4. How to Hang Your Ceiling Fan

### ⚠ CAUTION

To reduce the risk of injury, install the fan so that the blades are at least 7 ft. (2.1m) above the floor (Figure 14).

### ⚠ WARNING

To avoid possible electrical shock, be sure electricity is turned off at the main fuse box or circuit breaker panel before wiring.

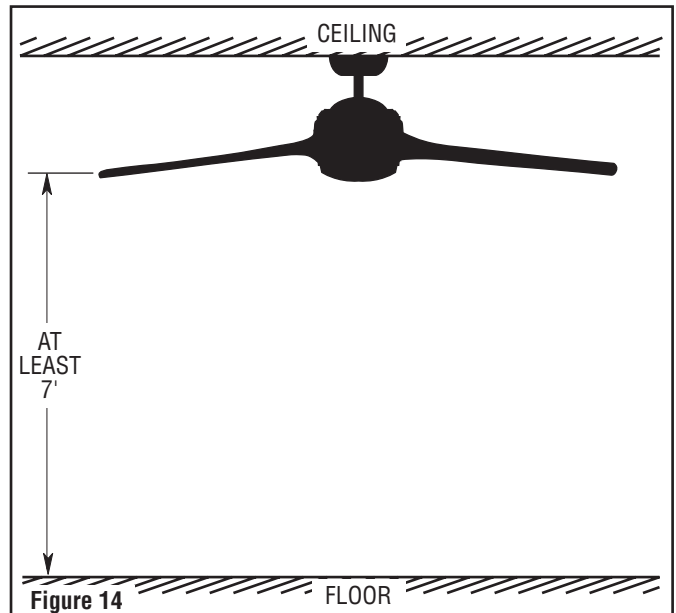
NOTE: If you are not sure if the outlet box is grounded, contact a licensed electrician for advice, as it must be grounded for safe operation.

### ⚠ WARNING

Turning off wall switch is not sufficient. To avoid possible electrical shock, be sure electricity is turned off at the main fuse box or circuit breaker panel before wiring. All wiring must be in accordance with National and Local codes and the ceiling fan must be properly grounded as a precaution against possible electrical shock.

### 4.1

Disconnect Electrical Power to the Branch Circuit at the Circuit Breaker Panel or Main Fuse Box before attempting to install the Ceiling Fan to the Outlet Box.



### ⚠ WARNING

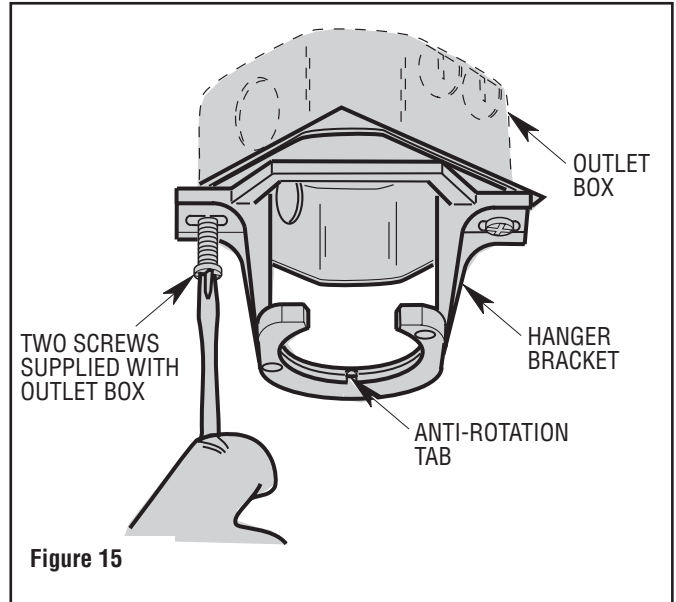
To avoid fire or shock, follow all wiring instructions carefully.

Any electrical work not described in these instructions should be done or approved by a licensed electrician.

## 4. How to Hang Your Ceiling Fan (Continued)

### 4.2

Securely attach the Hanger Bracket to the Outlet Box using the Two Screws supplied with the Outlet Box (Figure 15).



### 4.3

Carefully lift the Fan and seat the Hanger Ball/Downrod Assembly on the Hanger Bracket that was just attached to the Outlet Box (Figure 16).

Be sure the Groove in the Ball is engaged with the Anti-Rotation Tab on the Hanger Bracket (Figure 16).

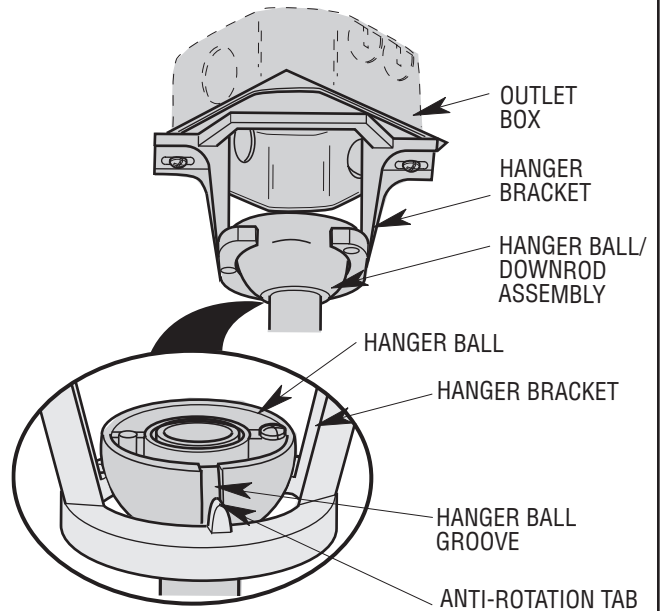
#### **⚠ WARNING**

Failure to seat tab in groove could cause damage to electrical wires and possible shock or fire hazard.

#### **⚠ WARNING**

To avoid possible fire or shock, do not pinch wires between the hanger ball/downrod assembly and hanger bracket.

**NOTE: CEILING COVER, SUPPLY WIRES AND FAN WIRES OMITTED FOR CLARITY.**



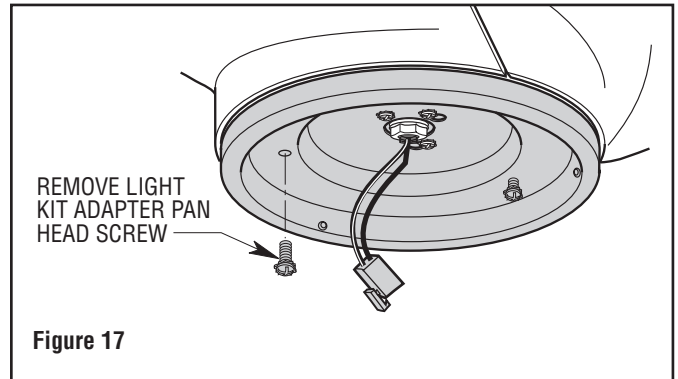
## 5. Light Kit Assembly

Skip to Section 6.0 if not installing the supplied light kit.

### 5.1

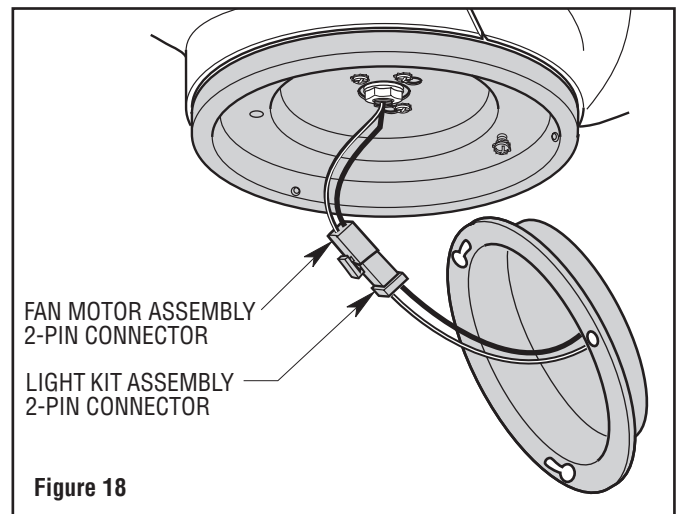
Remove one of the Three Screws in the Light Kit Adapter and loosen the remaining Two Screws (Figure 17).

Retain the Screw for future use.



### 5.2

Engage the Fan Motor 2-Pin Wire connector into the 2-Pin Wire Connector of the Light Kit Assembly (Figure 18). The Connection is complete when you hear a soft click.



### 5.3

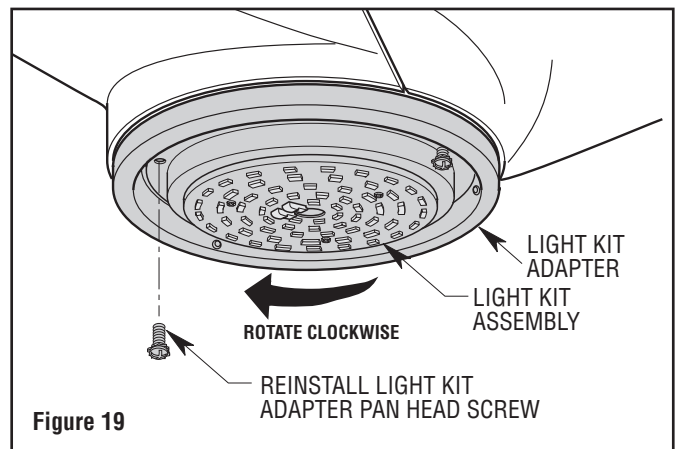
Carefully tuck all the Wires and Connectors into the Light Kit Assembly.

Position the Light Kit Assembly Key Hole Slots onto the Two loosened Screw Heads. Rotate the Light Kit Assembly clockwise to engage the Two Screw Heads (Figure 19). Verify that the Wires and Connectors are not trapped between the Light Kit Assembly and the Light Kit Adapter.

Reinstall the previously removed Screw.

Retighten all Three Screws to securely attach the Light Kit Assembly to the Light Kit Adapter.

A spare Light Kit Adapter #6-32 x .375" Pan Head Screw is in the parts bag, if needed.



### ⚠ WARNING

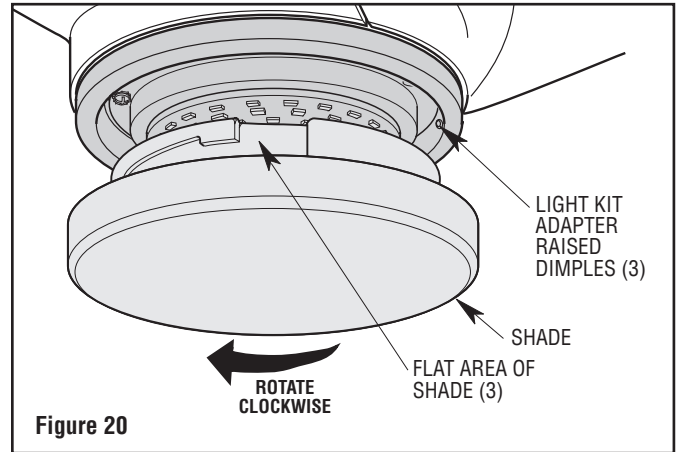
To avoid possible fire or shock, do not pinch wires between the Light Kit Assembly and the Light Kit Adapter.

## 5. Light Kit Assembly (Continued)

### 5.4

Place the Shade into the opening of the Light Kit Adapter, aligning the Three Flat Areas on the Top Edge of the Shade with the Three Raised Dimples on the Light Kit Adapter and turn the Shade clockwise until it stops (Figure 20).

**NOTE: Periodically check that the shade is seated fully clockwise in the Light Kit Adapter.**



## 6. Optional Installation of No-Light Plate Assembly

Skip to Section 6.4 if supplied light kit is not already installed.

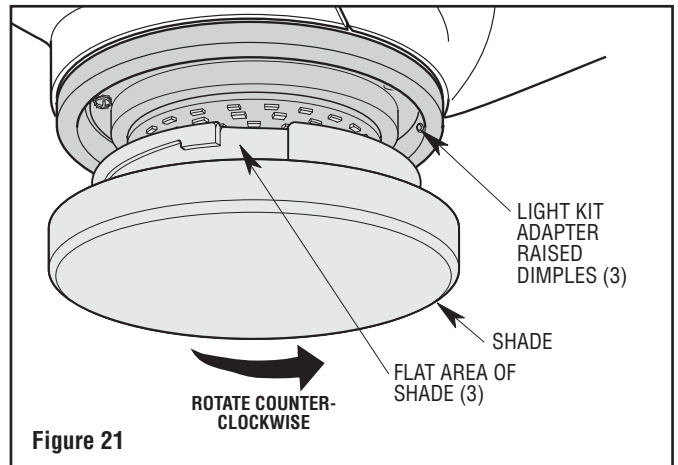
### 6.1

**Removal of the Shade from the Light Kit Adapter:**

Rotate the Shade counter-clockwise to loosen from the Light Kit Adapter (Figure 21).

Remove the Shade from the Light Kit Adapter (Figure 21).

Store Shade in a safe location for future installation.



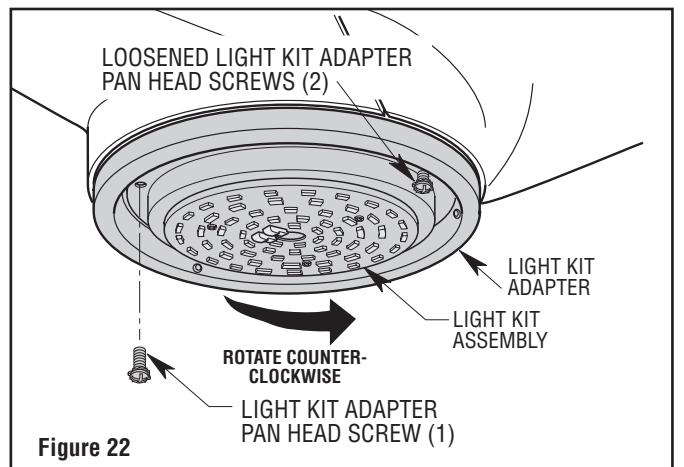
### 6.2

**Removal of the Light Kit Assembly from the Light Kit Adapter:**

Loosened the Light Kit Adapter #6-32 x .375" Two Pan Head Screws located in the Key Hole Slots.

Remove the remaining Light Kit Adapter #6-32 x .375" Pan Head Screw (Figure 22). Retain for future use.

Rotate the Light Kit Assembly counter-clockwise to disengage the Two Screw Heads in the Key Hole Slots for removal of Light Kit Assembly.



## 6. Optional Installation No-Light Plate Assembly (Continued)

### 6.3

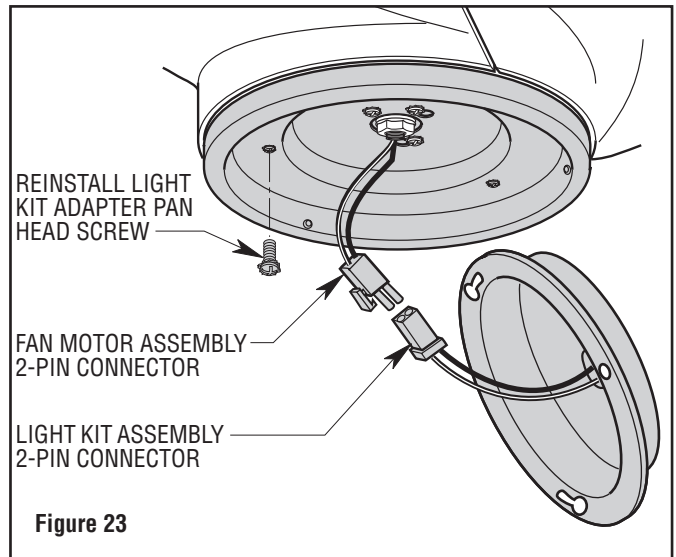
Disengage the Fan Motor Assembly 2-Pin Wire Connector from the 2-Pin Wire Connector of the Light Kit Assembly (Figure 23).

Store Light Kit Assembly in a safe location for future installation.

Reinstall the #6-32 x .375" Pan Head Screw into the Light Kit Adapter.

Securely tighten the Three #6-32 x .375" Pan Head Screws.

A spare Light Kit Assembly #6-32 x .375" Pan Head Screw is in the parts bag, if needed.



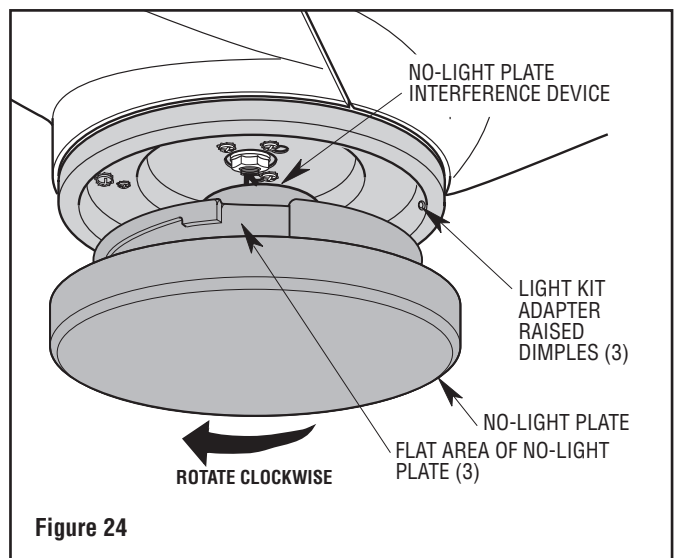
### 6.4

Carefully tuck all the Wires and Connector into the Light Kit Adapter.

Place the No-Light Plate into the opening of the Light Kit Adapter, aligning the Three Flat Areas on the top edge of the No-Light Plate with the Three Raised Dimples on the Light Kit Adapter and turn the Plate clockwise until it stops (Figure 24).

**NOTE: The no-light plate is equipped with an interference device that will not allow it to be installed if the light kit assembly is not removed.**

**NOTE: Periodically check that the no-light plate is seated fully clockwise in Light Kit Adapter.**



# 7. How to Wire Your Ceiling Fan

If you feel that you do not have enough electrical wiring knowledge or experience, have your fan installed by a licensed electrician.

## **⚠ WARNING**

To avoid possible electrical shock, be sure electricity is turned off at the main fuse box or circuit breaker panel before wiring.

**NOTE:** If you are not sure if the outlet box is grounded, contact a licensed electrician for advice, as it must be grounded for safe operation.

## **⚠ WARNING**

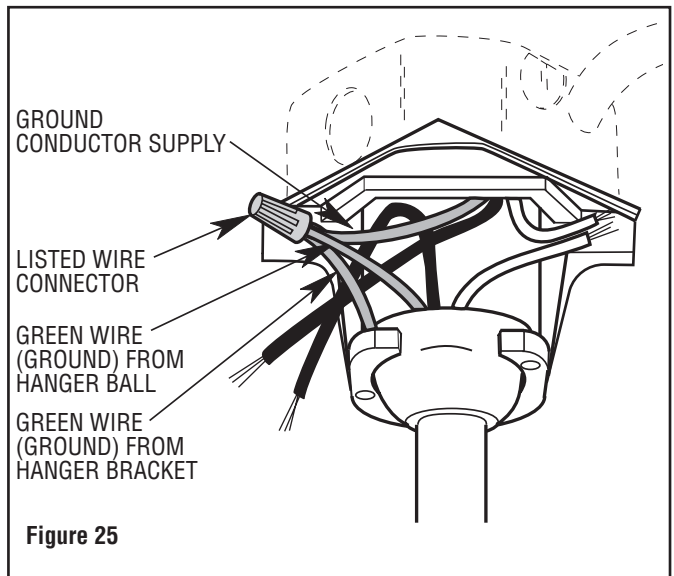
Turning off wall switch is not sufficient. To avoid possible electrical shock, be sure electricity is turned off at the main fuse box or circuit breaker panel before wiring. All wiring must be in accordance with National and Local codes and the ceiling fan must be properly grounded as a precaution against possible electrical shock.

## 7.1

Connect the Hanger Ball Green Ground Wire and the Hanger Bracket Green Ground Wire to the Supply Ground Conductor (this may be a bare wire or wire with green colored insulation). Securely connect Wires with Wire Connectors (supplied) (Figure 25).

## **⚠ WARNING**

This product is designed to use only those parts supplied with this product and/or any accessories designated specifically for use with this product. Substitution of parts or accessories not designated for use with this product could result in personal injury or property damage.

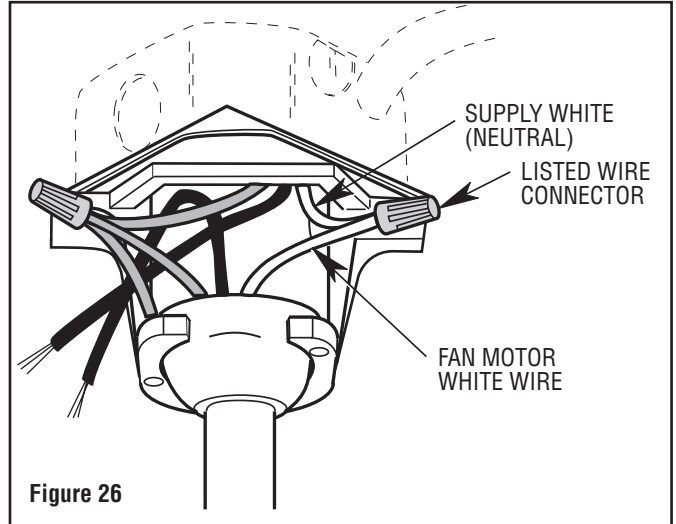




## 7. How to Wire Your Ceiling Fan (Continued)

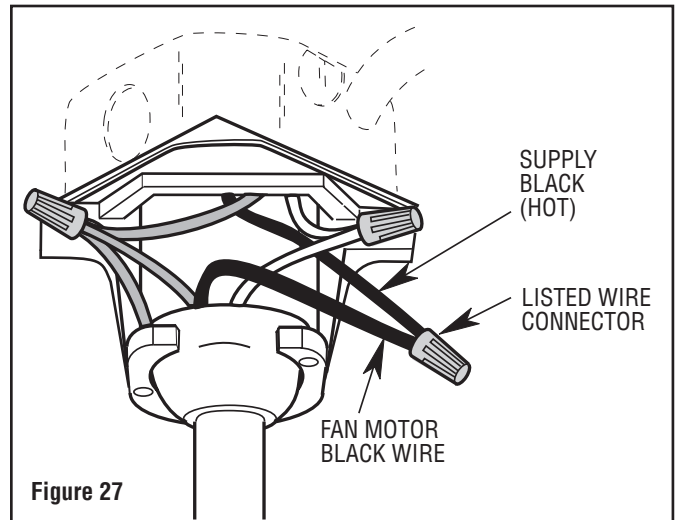
### 7.2

Securely connect the Fan Motor White Wire to the Supply White (neutral) Wire using Wire Connector (supplied) (Figure 26).



### 7.3

Securely connect the Fan Motor Black Wire to the Supply Black (hot) Wire using Wire Connector (supplied) (Figure 27).

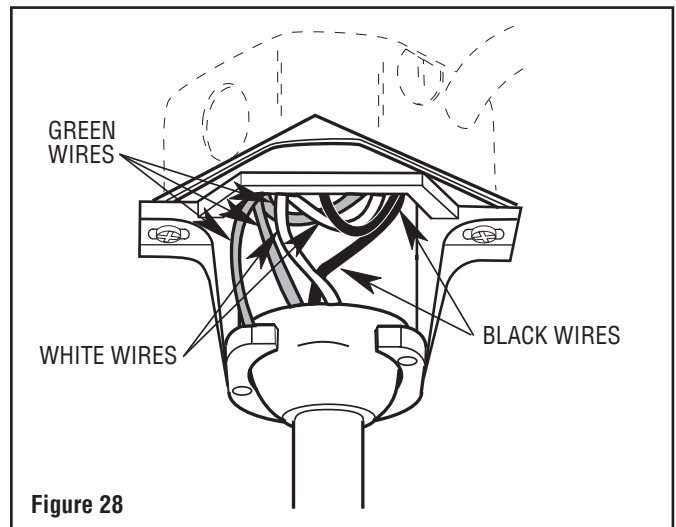


### 7.4

After connections have been made, turn Wires upward and carefully push Wires into the Outlet Box, with the White and Green Wires on one side of the Outlet Box and position the Black Wire on the other side of the Outlet Box (Figure 28).

#### **⚠ WARNING**

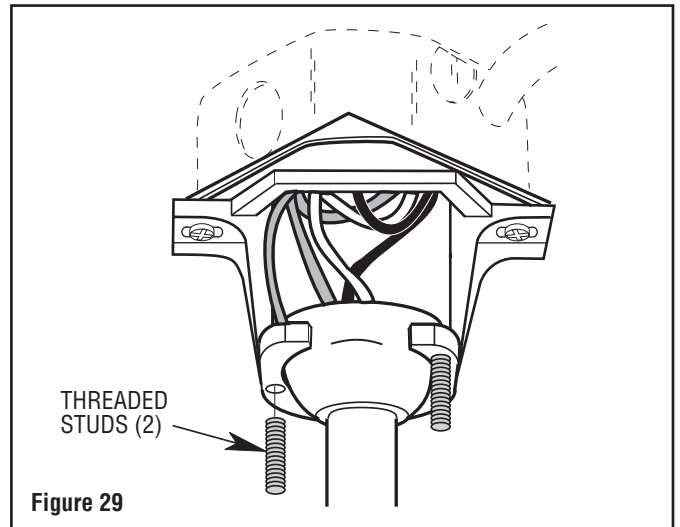
Check to see that all connections are tight, including ground, and that no bare wire is visible at the wire connectors, except for the ground wire. Do not operate fan until blades are in place. Noise and fan damage could result.



## 8. Final Assembly

### 8.1

Screw the Two Threaded Studs (supplied) into the Tapped Holes in the Hanger Bracket (Figure 29).

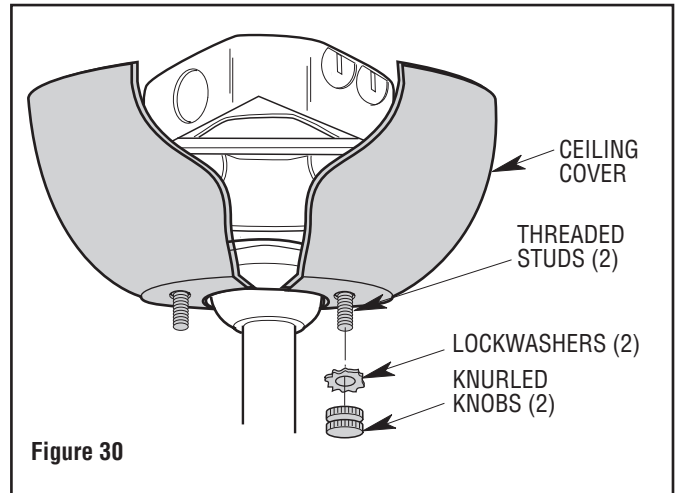


### 8.2

Lift the Ceiling Cover up to the Threaded Studs and turn until Studs protrude through the Holes in the Ceiling Cover (Figure 30).

Secure the Ceiling Cover in place by sliding Lockwashers over the Threaded Studs and installing the Two Knurled Knobs (supplied). (Figure 30).

Tighten the Knurled Knobs securely until the Ceiling Cover fits snugly against the Ceiling and the Hole in the Ceiling Cover is clear of the Downrod.



### WARNING

To avoid possible fire or shock, make sure that the electrical wires are completely inside the outlet box and not pinched between the ceiling cover and the ceiling.

## 9. Wall Control Procedures

### 9.1

Your Ceiling Fan/Light Control consists of Wall Mounted Transmitter and a Receiver located inside the Ceiling Cover. The Control is designed to remotely operate your Ceiling Fan speed, light intensity and direction of rotation.

Code Switches in the Transmitter may be set in 32 different positions. If your Fan and Light turn ON and OFF without using your Control, you may be getting interference from other remote units such as garage door openers, car alarms or security systems. To remedy this situations, simply change the Code Switches in your Transmitter per the instructions of Section 9.2.

### 9.2

Your Wall Control has Code Switches which must be set in One of 32 possible code combinations (Figure 31). The Five Levers (numbered 1, 2, 3, 4, and 5) on the Switches are factory-set in the ON (up) position. Change the Switch settings as follows:

**NOTE: Do not duplicate the code of an existing Control of an installed Ceiling Fan within 100 feet.**

Slide the Five Switch Levers in the Wall Control to your choice of ON (up) or down positions. Use a ball-point pen or small screwdriver and slide the Levers firmly up or down.

The Sixth Switch marked **ON** and **I** is for dimming Control of Lights: Set Switch to **ON** to allow for dimming of the lights. Set Switch to **I** for no dimming of the Lights.

When the power is restored after installation, push and hold the Fan OFF Button (⏻) for 3 to 5 seconds to set the code in the Receiver.

When the Switch is turned back ON, the Light and Fan will resume operation as they were prior to the Switch being turned OFF.

**Preset Memory Feature:** Your Ceiling Fan/Light Control is equipped with a preset memory feature. When the electricity supply to the Fan is switched OFF, the Control will remember the Light Intensity and Fan Speed.

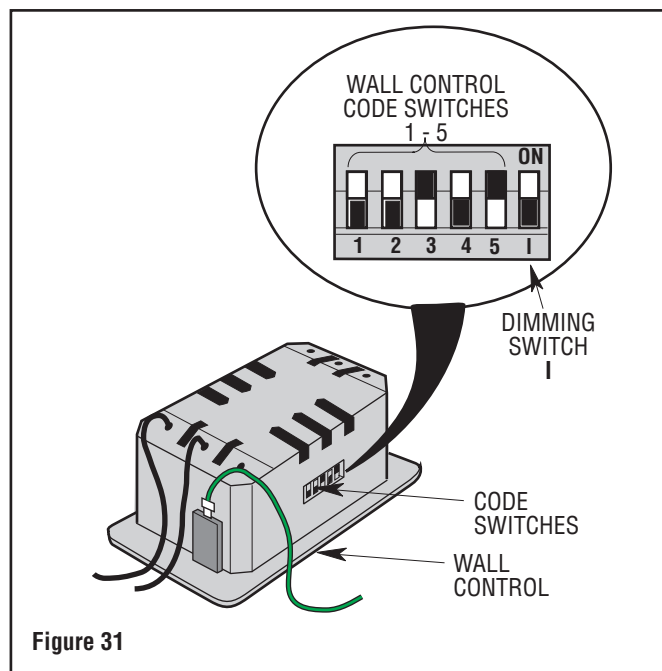


Figure 31

# 10. Wall Control Installation

## **! WARNING**

Turning off wall switch is not sufficient. To avoid possible electrical shock, be sure electricity is turned off at the main fuse box or circuit breaker panel before wiring. All wiring must be in accordance with National and Local codes and the ceiling fan must be properly grounded as a precaution against possible electrical shock.

## **! CAUTION**

To reduce the risk of electrical shock, disconnect the electrical supply circuit before installing the fan, light kit or receiver.

**NOTE:** Make all wiring connections using Wire Connectors (supplied). Make sure that all connections are tight, including ground, and that no bare wire is visible at the wire connectors, except for the ground wire.

## 10.1

Disconnect Electrical Power to the Branch Circuit at the Circuit Breaker Panel or Main Fuse Box before attempting to install the Ceiling Fan Wall Control into the Wall Box.

## 10.2

**NOTE:** Electric connections should be in accordance with the National Electrical Codes and all Local Codes. Before starting, disconnect power to the circuit at the main fuse box or circuit breaker panel.

Remove the Faceplate and Screws from the Existing Wall Switch. Pull Switch out from Wall Box (Figure 32).

Determine the "HOT" Wire and the "LOAD" Wire and disconnect these Wires from Existing Wall Switch.

**NOTE:** Do not attempt to disconnect any Wires not already connected to Existing Wall Switch.

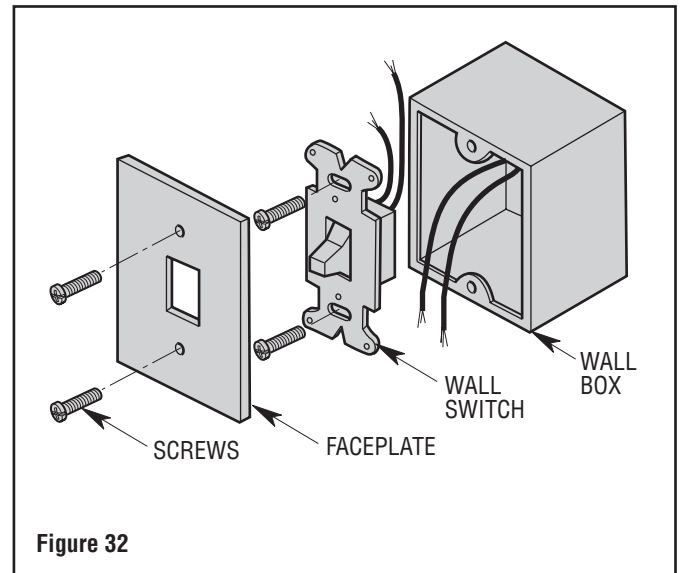


Figure 32

# 10. Wall Control Installation (Continued)

Skip to Section 10.4 if Using a 3-way Switch Installation.

## SINGLE-POLE INSTALLATION

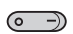

(One Fan Controlled by One Wall Control)  
(See Figure 33).

### ⚠ WARNING

Turning off wall switch is not sufficient. To avoid possible electrical shock, be sure electricity is turned off at the main fuse box or circuit breaker panel before wiring. All wiring must be in accordance with National and Local codes and the ceiling fan must be properly grounded as a precaution against possible electrical shock.

## 10.3

Disconnect Electrical Power to the Branch Circuit at the Circuit Breaker Panel or Main Fuse Box before attempting to install the Ceiling Fan Wall Control into the Wall Box.

Before installing Wall Control, place Wall Control in "OFF" mode by pushing "ON/OFF" Switch (  ) to the "OFF" (  ) position.

### ⚠ WARNING

Do not connect any neutral (white) wire to this control. Incorrect wiring will damage this control.

Connect the Wall Control Black Wire labeled "TO POWER SUPPLY" to the "HOT" 120V AC Supply Source Wire. Securely connect Wires with Wire Connector, supplied (Figure 33).

Connect the Wall Control Black Wire labeled "TO FAN" to the "LOAD" Black Wire in Wall Box. Securely connect Wires with Wire Connector, supplied (Figure 33).

Connect the Wall Control Green Ground Wire to the Supply Ground Conductor (this may be a Bare Copper Wire or Wire with Green Colored Insulation). Securely connect Wires with Wire Connector, supplied (Figure 33).

### ⚠ WARNING

Check to see that all connections are tight and that no bare wires are visible at the wire connectors.

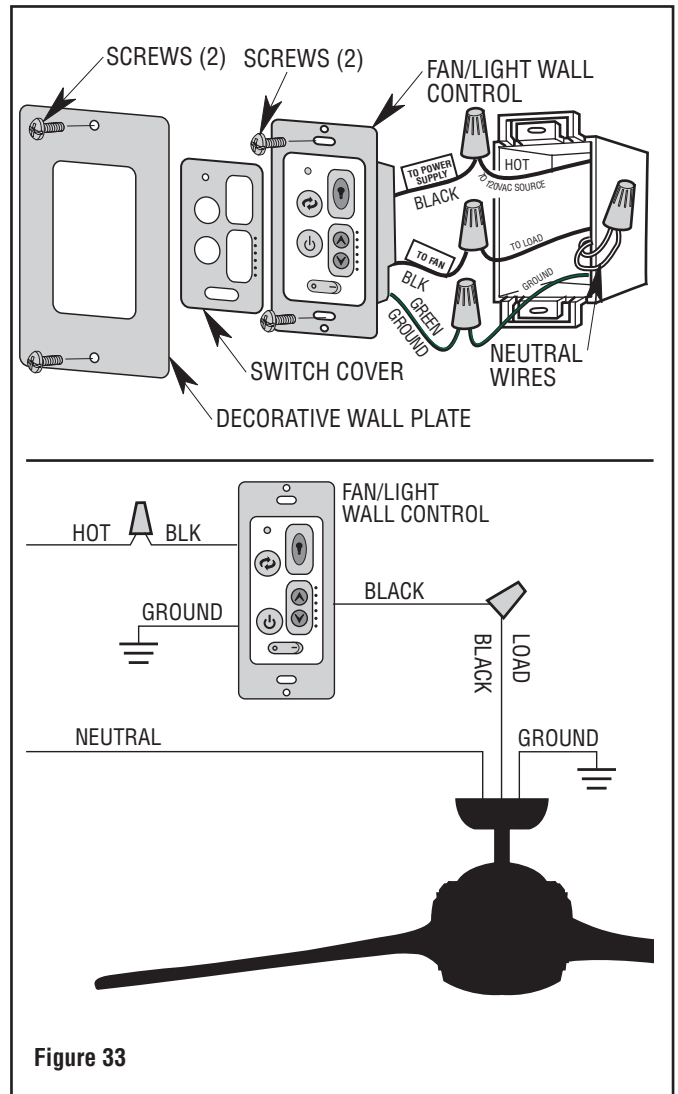


Figure 33

Screw Wall Control into Wall Box using the supplied Screws. Leave Wall Control in "OFF" mode until Fan installation is completed.

The Wall Control is supplied with a White, Ivory, and Almond color Switch Covers. Choose the finish that best suits your needs and snap the Cover onto the Wall Control (Figure 33).

Install Decorative Wall Plate using the two Screws supplied with Wall Plate. Leave the Wall Control in "OFF" mode until Fan installation is completed (Figure 33).

# 10. Wall Control Installation (Continued)

## 3-WAY INSTALLATION

(One Fan Controlled by Two Different Wall Controls)  
(See Figures 34 and 35).

### ⚠ WARNING

Turning off wall switch is not sufficient. To avoid possible electrical shock, be sure electricity is turned off at the main fuse box or circuit breaker panel before wiring. All wiring must be in accordance with National and Local codes and the ceiling fan must be properly grounded as a precaution against possible electrical shock.

### ⚠ WARNING

Do not connect any neutral (white) wire to this control. Incorrect wiring will damage this control.



## 10.4

Disconnect Electrical Power to the Branch Circuit at the Circuit Breaker Panel or Main Fuse Box before attempting to install the Ceiling Fan Wall Control into the Wall Box.

At all Wall Box locations, remove Faceplates and Screws from Existing Controls. Pull Controls out from Wall Boxes and determine which Wall Box contains the "HOT" Wire and which Wall Box contains the "LOAD" Wire. Also, identify Traveler Wires which are common to both Wall Boxes. Disconnect Wires from Existing Controls only.

**NOTE: Do not attempt to disconnect any wires not already connected to existing Control.**

**NOTE: Make all wiring connections using wire connectors (supplied). Make sure that all connections are tight, including ground, and that no bare wire is visible at the wire connectors, except for the ground wire.**

Before installing the First Wall Control, place the Wall Control in "OFF" mode by pushing "ON/OFF" Switch (  ) to the "OFF" (  ) position.

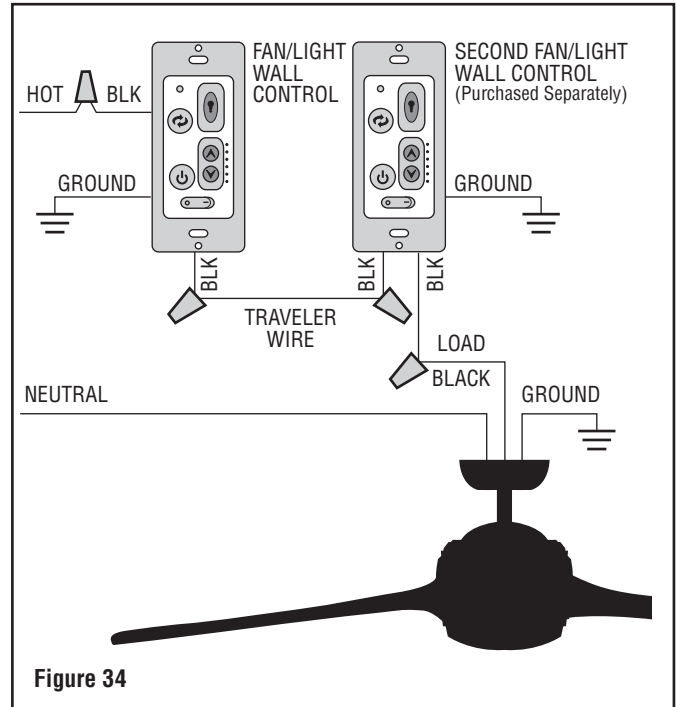


Figure 34

Install the First Wall Control in the Wall Box containing the "HOT" Wire.

Connect the First Wall Control Black Wire labeled "TO POWER SUPPLY" to the "HOT" 120V AC Supply Source Wire. Securely connect the Wires with Wire Connector, supplied (Figure 34).

Connect the First Wall Control Black Wire labeled "TO FAN" to the Traveler Wire(s) in the Wall Box and secure with Wire Connector, supplied (Figure 34).

Connect the First Wall Control Green Ground Wire to the Supply Ground Conductor (this may be a bare wire or wire with Green Colored insulation). Securely connect Wires with Wire Connector, supplied (Figure 34).



### ⚠ WARNING

Check to see that all connections are tight and that no bare wires are visible at the wire connectors.

# 10. Wall Control Installation (Continued)

## 10.5

Disconnect Electrical Power to the Branch Circuit at the Circuit Breaker Panel or Main Fuse Box before attempting to install the Ceiling Fan Wall Control into the Wall Box.

Before installing the Second Wall Control, place the Wall Control in "OFF" mode by pushing "ON/OFF" Switch (  ) to the "OFF" (  ) position.

Install the Second Wall Control (purchased separately) into the Wall Box containing the "LOAD" Wire.

Connect the Second Wall Control Black Wire labeled "TO POWER SUPPLY" to the Traveler Wire(s) already connected to the Black Wire (in the other wall box). Secure with Wire Connectors, supplied (Figure 35).

Connect Second Wall Control Black Wire labeled "TO FAN" to the "LOAD" (Black) Wire and secure with Wire Connector, supplied (Figure 35).

Connect the Second Wall Control Green Ground Wire to the Supply Ground Conductor (this may be a bare wire or wire with Green Colored insulation). Securely connect Wires with Wire Connector, supplied (Figure 35).

Screw the Second Wall Control onto the Wall Box using the supplied Screws. Leave the Wall Control in "OFF" mode until Fan installation is completed.

**NOTE: Retrofit 3-way installations are likely to include two traveler wires between the two wall boxes. In new construction, only one traveler wire is required (Figure 35).**

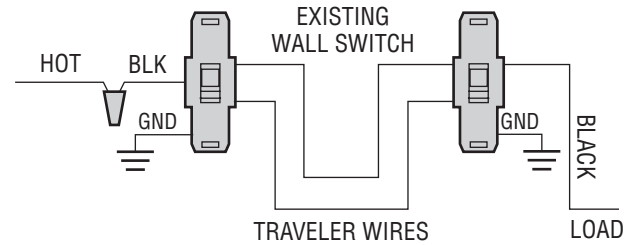
### **WARNING**

Check to see that all connections are tight and that no bare wires are visible at the wire connectors.

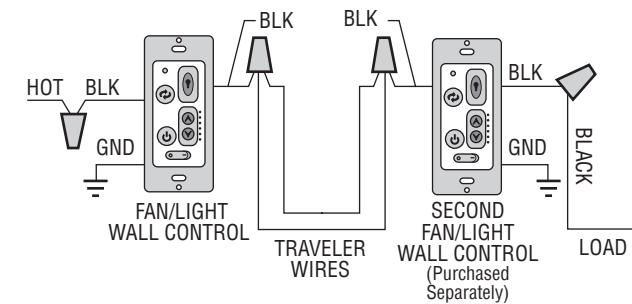
All Wall Controls are supplied with a White, Ivory, and Almond color Switch Covers. Choose the finish that best suits your needs and snap the Covers onto the Wall Controls (Figure 35).

Install Decorative Wall Plates using the Two Screws provided with each Wall Plate. Leave the Wall Control in "OFF" mode until Fan installation is completed (Figure 35).

### STANDARD WIRING FOR EXISTING 3-WAY SWITCHES



### 3-WAY WIRING DIAGRAM: RETROFIT



### ALL WALL CONTROLS

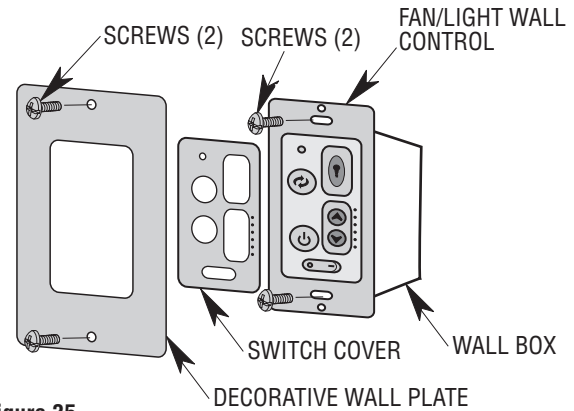


Figure 35



# 11. Programming the Receiver Operating Frequency & High Speed Conditioning of Fan Control



**-- Important - Read This Section Carefully and Follow the High Speed Conditioning Instructions Closely --**

**IMPORTANT:** Ceiling fan blades **MUST** be installed before high speed conditioning can begin.

**NOTE:** If using a 3-way Switch Installation, ensure that both Wall Controls are using the same Switch Code.


## PROGRAMMING THE RECEIVER OPERATING FREQUENCY

### 11.1

Flip the Wall Control ON/OFF Switch (  ) to the "OFF" (  ) position.

Restore Electricity to the Ceiling Fan Branch Circuit at the Circuit Breaker Panel or Main Fuse Box.

Flip the Wall Control ON/OFF Switch to "ON" (  ) position.

Within 1 Minute of flipping the Switch to "ON", push and hold the FAN OFF Button (  ) for 3 to 5 seconds to set the Code in the Receiver. The ceiling fan lights (if installed) will blink to indicate the Wall Control Code has been paired with the Receiver.

**IMPORTANT:** Immediately after successful pairing, the ceiling fan will automatically begin high speed conditioning of the motor. During conditioning,

the electronic motor control software is calculating speeds for the 2nd through 5th speed settings based on the blades that were installed on the fan.

The Fan will run for approximately 1 Minute in the upward direction then Reverse direction to down flow and run an additional 1 Minute. When conditioning is complete, the Fan will come to complete stop.

**IMPORTANT:** Do not interrupt the conditioning until the fan comes to a complete stop in approximately 2 minutes. All functions of the control will be rejected during conditioning.

High speed conditioning is now complete.

### 11.2

If programming is unsuccessful, retry the Step 11.1 instructions after cycling the Wall Control ON/OFF Switch to restart the 1 minute programming time period.

### 11.3

If still unsuccessful, shut OFF the Electricity at the Main Fuse Box or Circuit Breaker Panel and change the Wall Control frequency (Page 18). After changing the Frequency settings, repeat Step 11.1 within one minute of restoring the Electricity.

## INSTRUCTION TO THE USER (if device contains a digital device)

This equipment has been tested and found to comply with the limits for a class B digital device, pursuant to part 15 of the FCC Rules. These limits are designed to provide reasonable protection against harmful interference in a residential installation. This equipment generates, uses and can radiate radio frequency energy and if not installed and used in accordance with the instructions, may cause harmful interference to radio communications. However, there is no guarantee that interference will not occur in a particular installation. If this equipment does cause harmful interference to radio or television reception, which can be determined by turning the equipment off and on, the user is encouraged to try to correct the interference by one or more of the following measures:

- Reorient or relocate the receiving antenna.
- Increase the separation between the equipment and receiver.
- Connect the equipment into an outlet on a circuit different from that to which the receiver is connected.
- Consult the dealer or an experienced radio/TV technician for help.

This equipment has been certified to comply with the limits for a class B computing device, pursuant to FCC Rules. In order to maintain compliance with FCC regulations, shielded cables must be used with this equipment. Operation with non-approved equipment or unshielded cables is likely to result in interference to radio and TV reception. The user is cautioned that changes and modifications made to the equipment without the approval of manufacturer could void the user's authority to operate this equipment.

This Class B digital apparatus meets all requirements of the Canadian Interference-Causing Equipment Regulations.



# 12. Using Your Ceiling Fan

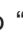
## ⚠ WARNING

Fan installation must be completed, including the installation of the fan blades, before testing the fan control.


Your Wall Control has full control of your Fan and Light (Figure 36).


### 12.1

Flip the Wall Control ON/OFF Switch (  ) to the "OFF" (  ) position. Power will be turned OFF to the Fan and Light.

Flip the Wall Control ON/OFF Switch to "ON" (  ) position. Power will be restored to the Fan and Light.



**NOTE:** When the switch is turned back ON the light and fan will resume operation as they were prior to the switch being turned OFF.


**To Turn Ceiling Fan OFF:** Press and release the FAN POWER OFF (  ) Button.


**To Turn the Fan ON and to Increase the Fan Speed:** Press the (  ) Button once for each of the 6 Speeds.

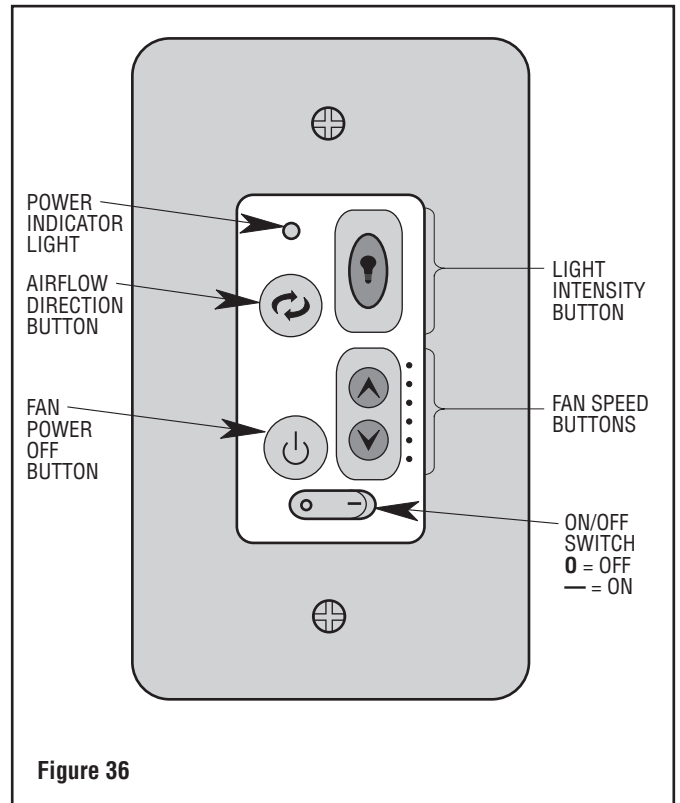
**To Turn the Fan ON and to Decrease the Fan Speed:** Press the (  ) Button once for each of the 6 Speeds.

The LED Display will light up to indicate the New Speed selected.

**NOTE:** If the fan is OFF, the first time the (  ) or (  ) button is pressed, it will turn the fan ON at the speed previously selected.

**To Turn the Light ON/OFF:** Press and release the (  ) Button. The Light will turn ON at the Light Intensity previously selected. To change the Intensity, hold the Button down. The Intensity will go up and down while the Button is held. Release the Button at the desired Intensity.

**If Airflow is Desired in the Opposite Direction:** Press the (  ) Button on the Wall Control. The Fan must be operating at any Speed for the Reverse Button to function. The Blades will turn in the Opposite Direction and Reverse the Airflow.



#### NOTE:

**During Summer Months:** run the Fan Counter-Clockwise, as you look up at it, to direct airflow downward.

**During the Winter Months:** run the Fan Clockwise, as you look up at it, to direct airflow upward.

**NOTE:** For 3-way Installation: BOTH wall controls ON/OFF switch must be in the "ON" position for either control to function. With both wall controls "ON", the fan and light can be operated as described from either wall control.

**NOTE:** If your fan and light go ON and OFF without using your control, you may be getting interference from other remote units such as garage door openers, car alarms or security systems. To remedy this situations, simply change the transmitter code per 9.2 Section.

## 13. Maintenance

### IMPORTANT CARE INSTRUCTIONS for your Ceiling Fan

Periodic cleaning of your new ceiling fan is the only maintenance that is needed.

When cleaning, use only a soft brush or lint free cloth to avoid scratching the finish.

Abrasive cleaning agents are not required and should be avoided to prevent damage to finish.

### WARNING

**Do not use water when cleaning your ceiling fan. It could damage the motor or the blades and create the possibility of an electrical shock.**

## 14. Energy Efficient Use of Ceiling Fans

Ceiling fan performance and energy savings rely heavily on the proper installation and use of the ceiling fan. Here are a few tips to ensure quality and product performance.

### **Choosing the Appropriate Mounting Location.**

Ceiling fans should be installed, or mounted, in the middle of the room and at least 7 feet above the floor and 18 inches from the walls. If ceiling height allows, install the fan 8 - 9 feet above the floor for optimal airflow. Consult your Brands Retailer for optional mounting accessories.

**Using the Ceiling Fan Year Round.** In the summer, use the ceiling fan in the counter-clockwise direction. The airflow produced by the ceiling fan creates a wind-chill effect, making you "feel" cooler. Select a fan speed that provides a comfortable breeze, lower speeds consume less energy. In the winter, reverse the motor and operate the ceiling fan at low speed in the clockwise direction. This produces a gentle updraft, which forces warm air near the ceiling down into the occupied space. Remember to adjust your thermostat when using your ceiling fan - additional energy and dollar savings could be realized with this simple step!

**Turn Off When Not in the Room.** Ceiling fans cool people, not rooms. If the room is unoccupied, turn off the ceiling fan to save energy.

# 15. Light Kit LED Array Assembly Replacement

## 15.1

Disconnect Electrical Power to the Branch Circuit at the Circuit Breaker Panel or Main Fuse Box before attempting to install the Ceiling Fan to the Outlet Box.

### Tools Needed

One Phillips Head Screwdriver  
One Stepladder

### ⚠ WARNING

To avoid possible electrical shock, be sure electricity is turned off at the main fuse box or circuit breaker panel before wiring.

NOTE: If you are not sure if the outlet box is grounded, contact a licensed electrician for advice, as it must be grounded for safe operation.

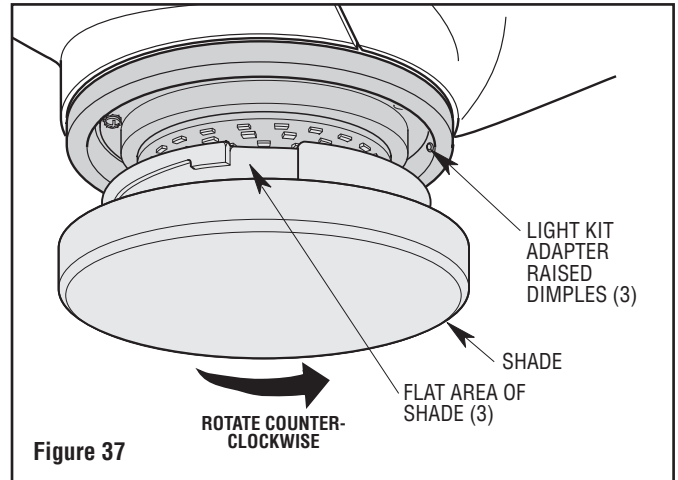
### ⚠ WARNING

Turning off wall switch is not sufficient. To avoid possible electrical shock, be sure electricity is turned off at the main fuse box or circuit breaker panel before wiring. All wiring must be in accordance with National and Local codes and the ceiling fan must be properly grounded as a precaution against possible electrical shock.

## 15.2

Rotate and remove the Shade counter-clockwise to expose the Light Kit Assembly (Figure 37).

Retain Shade for future reinstallation.

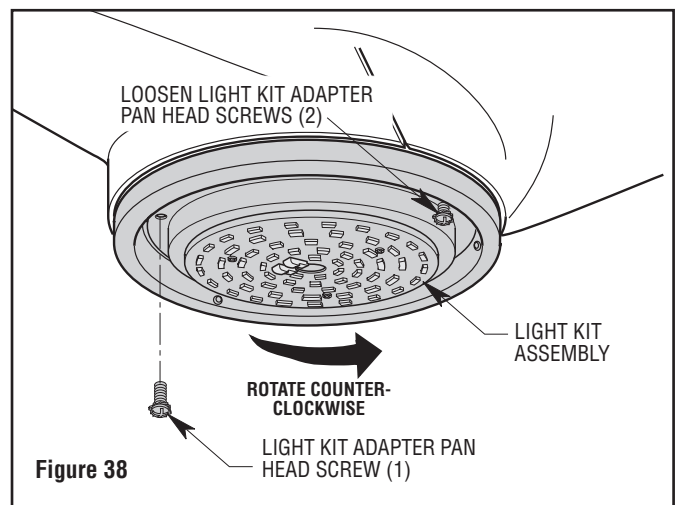


## 15.3

Loosened the Two Light Kit Adapter #6-32 x .375" Pan Head Screws located in the Key Hole Slots.

Remove the remaining Light Kit Adapter #6-32 x .375" Pan Head Screw (Figure 38). Retain for future use.

Rotate the Light Kit Assembly counter-clockwise to disengage the Two Screw Heads in the Key Hole Slots for removal of Light Kit Assembly.



## 15. Light Kit LED Array Assembly Replacement (Continued)

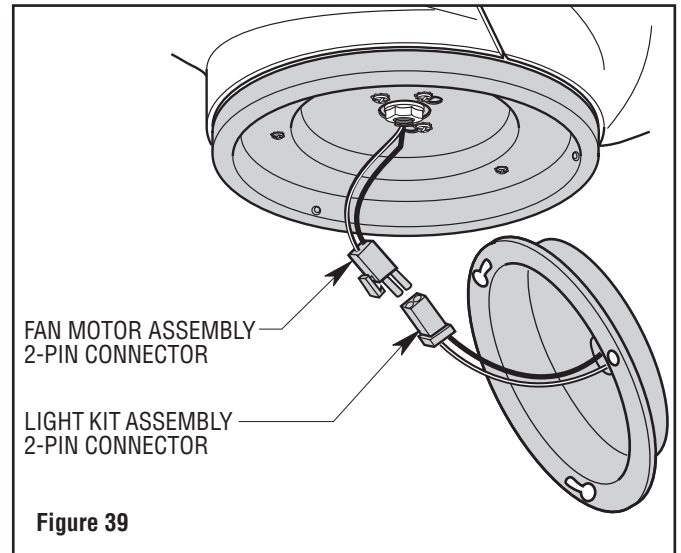
### 15.4

Disengage the Fan Motor Assembly 2-Pin Wire Connector from the 2-Pin Wire Connector of the Light Kit Assembly (Figure 39).

### 15.5

Install new Light Kit Assembly by following the Section 5, Steps 5.2 through 5.4.

Restore electricity and verify function of the Light Kit.



## 16. Light Kit LED Driver Replacement

The Light Kit Driver is located in the motor assembly.

The entire ceiling fan will have to be unwired and removed from the ceiling outlet box.

If you feel that you do not have enough electrical wiring knowledge or experience, contact a licensed electrician to complete this repair.

### 16.1

Disconnect Electrical Power to the Branch Circuit at the Circuit Breaker Panel or Main Fuse Box before attempting to remove the Ceiling Fan to the Outlet Box.

#### Tools Needed

One Phillips Head Screwdriver  
One Stepladder

#### **⚠ WARNING**

To avoid possible electrical shock, be sure electricity is turned off at the main fuse box or circuit breaker panel before wiring.

**NOTE:** If you are not sure if the outlet box is grounded, contact a licensed electrician for advice, as it must be grounded for safe operation.

#### **⚠ WARNING**

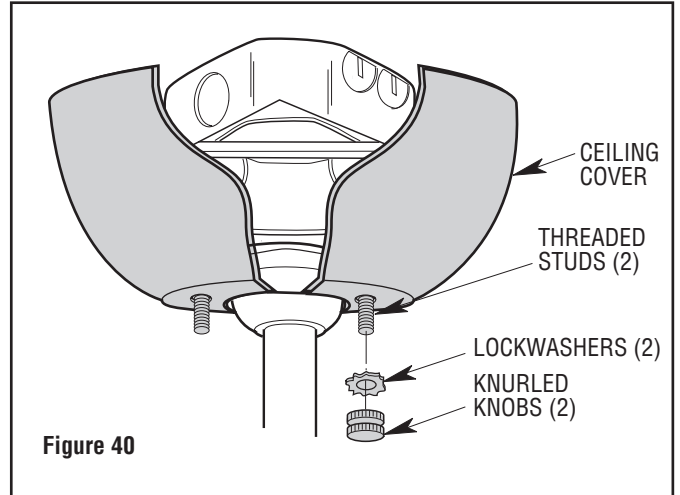
Turning off wall switch is not sufficient. To avoid possible electrical shock, be sure electricity is turned off at the main fuse box or circuit breaker panel before wiring. All wiring must be in accordance with National and Local codes and the ceiling fan must be properly grounded as a precaution against possible electrical shock.

# 16. Light Kit LED Driver Replacement (Continued)

## 16.2

Remove the Two Knurled Knobs and Lockwashers from the Threaded Studs. Retain the Hardware for future reinstallation (Figure 40).

Slide the Ceiling Cover downward to rest on top the Motor Housing.



## 16.3

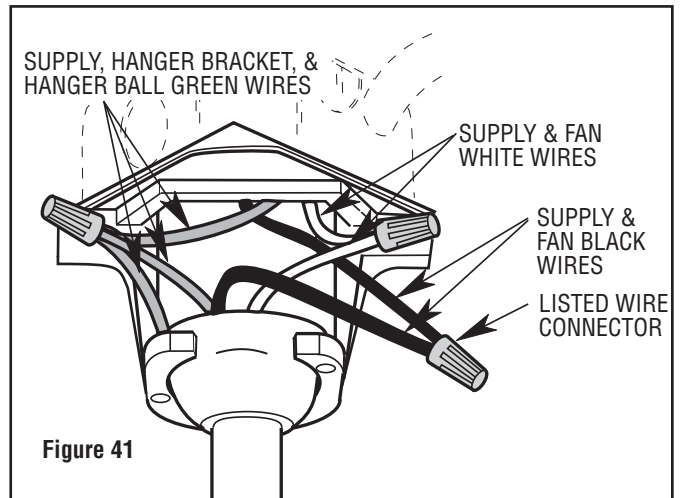
**Removal of the Ceiling Fan Wires, See Section 7, Reverse Steps 7.4 through 7.1.**

Disconnect the Wire Connector from the Fan Motor Black Wire and Supply Black Wire (Figure 41)

Disconnect the Wire Connector from the Fan Motor White Wire and the Supply White Wire (Figure 41).

Disconnect the Wire Connector from the Hanger Ball, Hanger Bracket and Supply Green Wires (Figure 41).

Retain all Hardware for future reinstallation.

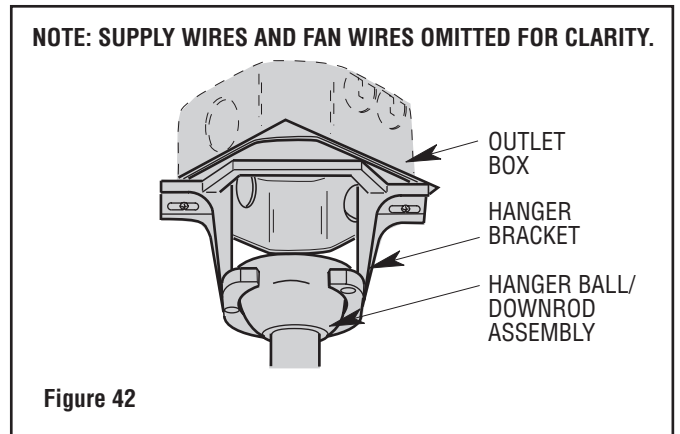


## 16.4

Carefully remove the Ceiling Fan (hanger ball/downrod) from the Hanger Bracket (Figure 42).

Place the Ceiling Fan, Downrod facing up, onto a secure solid surface in preparation of the Driver replacement.

**NOTE: Be very careful not to bend the blade assemblies while removing the ceiling fan.**

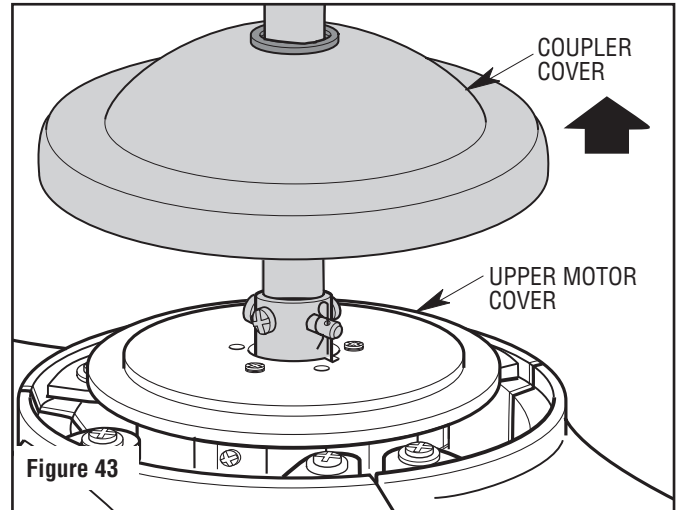


## 16. Light Kit LED Driver Replacement (Continued)

### 16.5

**NOTE:** You may need help of an assistant to hold the ceiling cover, coupler cover and upper motor cover up and away from the motor housing, while performing the following steps.

Slide the Motor Coupler Cover up the Downrod to access the top of the Motor Housing (Figure 43).



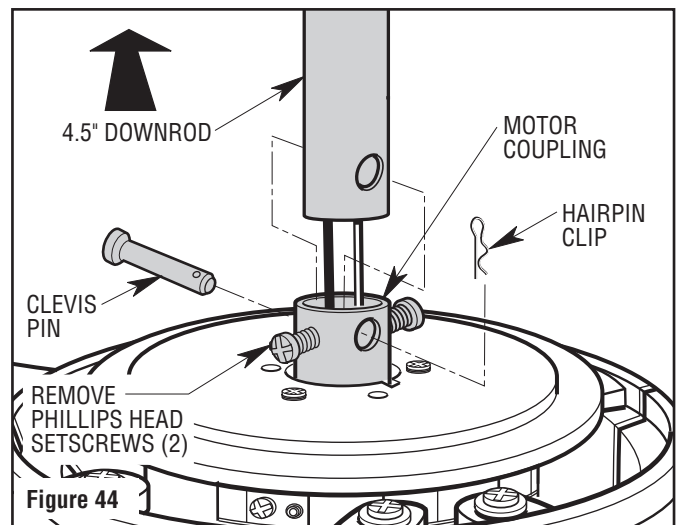
### 16.6

Remove the Hairpin Clip from the Clevis Pin. Remove the Clevis Pin from the Downrod (Figure 44).

Retain both the Clevis Pin and the Hairpin Clip for future reinstallation.

Remove the Two Set Screws, using a Phillips Head Screwdriver, from the Downrod (Figure 44).

Retain both Set Screws for future reinstallation.

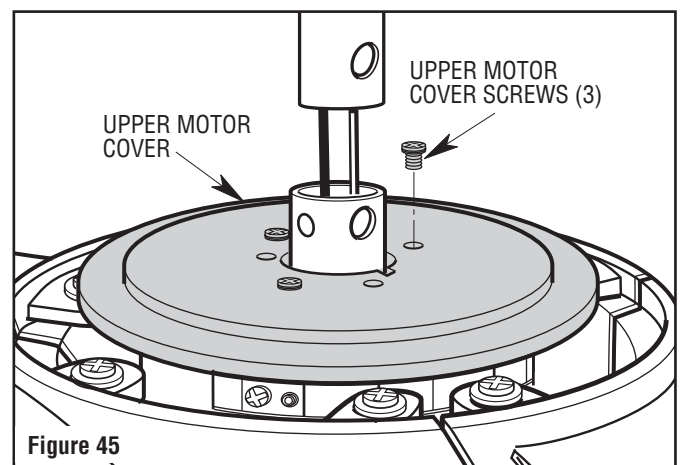


### 16.7

Remove the Three Upper Motor Cover Screws, using a Phillips Head Screwdriver (Figure 45).

Retain the Three Screws for future reinstallation.

Slide the Upper Motor Cover up to expose access to the Light Kit Driver.





# 16. Light Kit LED Driver Replacement (Continued)

## 16.8

Squeeze and unclip the Motor AC Power Connector from the Light Kit LED Driver Connector (Figure 46).

Squeeze and unclip the Motor DC Power Connector from the Light Kit LED Driver Connector (Figure 46).

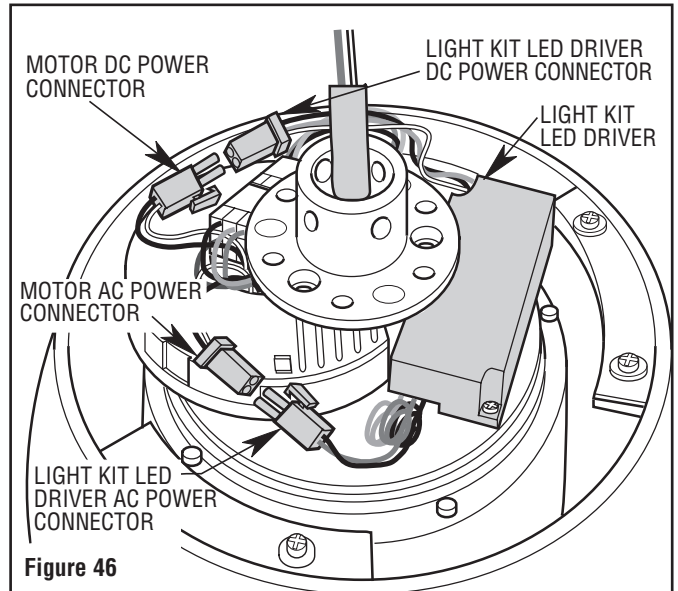


Figure 46

## 16.9

Remove the Two Phillips Head Screws from the Old Light Kit LED Driver (Figure 47).

Retain the Screws for future reinstallation.

Gently pull up on the Light Kit LED Driver. Remove the Driver from the Motor Housing (Figure 47).

Discard the Old Light Kit LED Driver in the correct recycle bin.

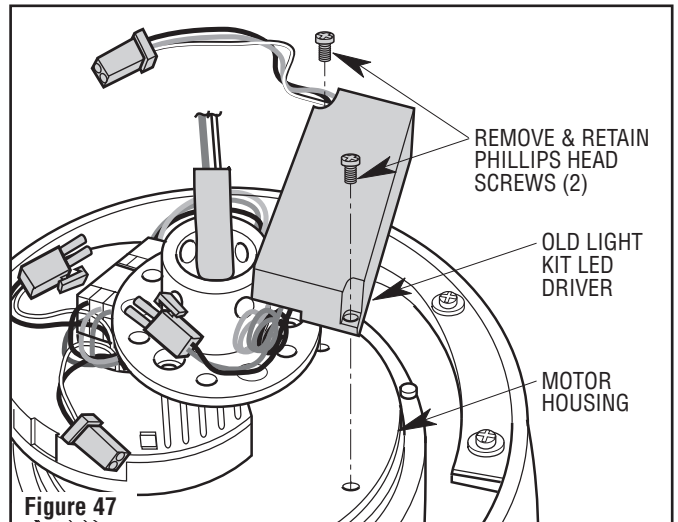


Figure 47

## 16.10

Place the New Light Kit LED Driver into the Motor Housing, aligning it directly where the Old Driver had been (Figure 48).

Install the New Light Kit LED Driver to the Motor Housing using the Two Screws previously removed (Figure 48).

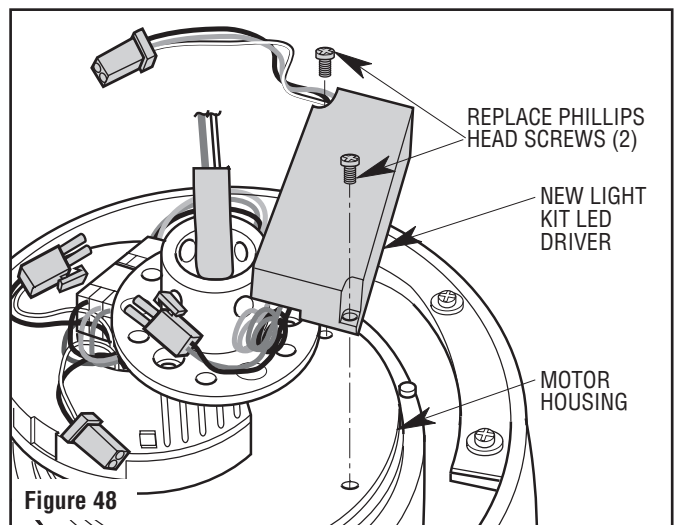


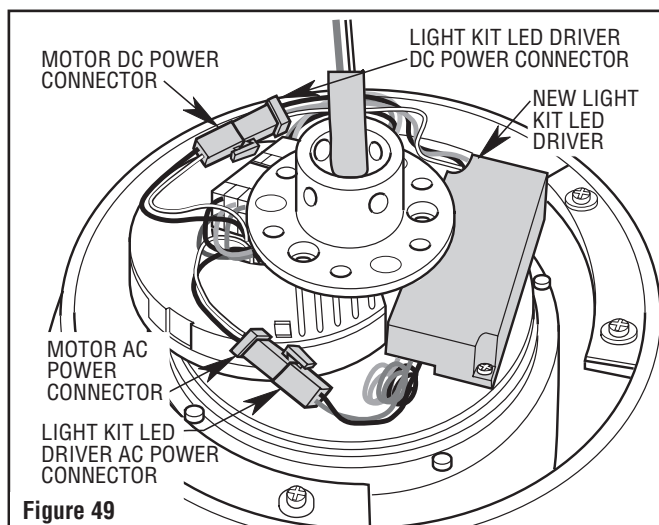
Figure 48

## 16. Light Kit LED Driver Replacement (Continued)

### 16.11

Reconnect the Motor AC Power Connector to the Light Kit LED Driver Connector (Figure 49).

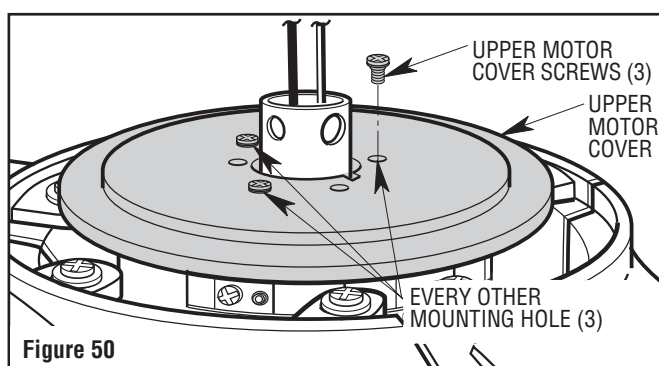
Reconnect the Motor DC Power Connector to the Light Kit LED Driver Connector (Figure 49).



### 16.12

Replace the Upper Motor Cover by reassembling the Three Screws previously removed in Step 17.7.

Placement of the Screws should be Every Other Hole as shown in Figure 50.



### 16.13

Re-seat the Downrod in the Motor Coupler. Rotate and align the Two Downrod Holes with the Two Holes in the Motor Coupler as shown in Figure 51.

### 16.14

Reassemble the Downrod to the Motor Coupler by following the Ceiling Fan Assembly, Section 3, Steps 3.9 through 3.10.

### 16.15

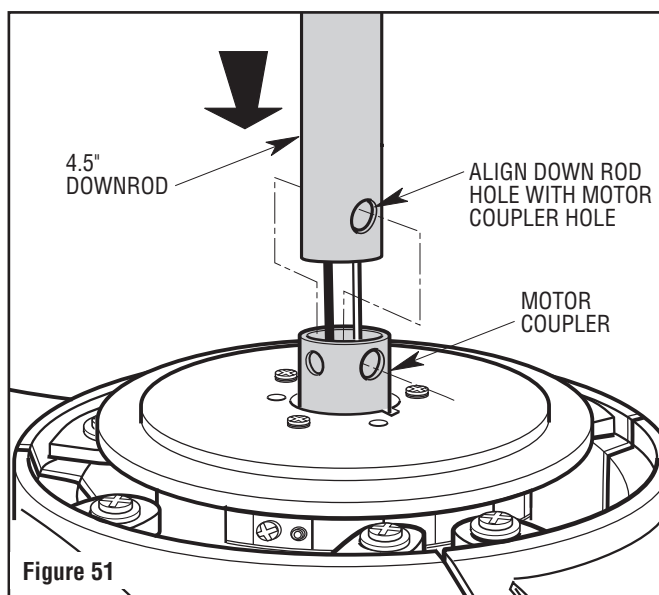
Rehang your Ceiling Fan per Section 4, Step 4.3.

### 16.16

Rewire your ceiling fan per Sections 7 and 8, Steps 7.1 through 8.2

### 16.17



Restore electricity and verify function of the Light Kit.



# 17. Troubleshooting

## **WARNING**

**FOR YOUR OWN SAFETY TURN OFF POWER AT MAIN FUSE BOX OR CIRCUIT BREAKER PANEL BEFORE TROUBLESHOOTING YOUR FAN.**

TROUBLE	PROBABLE CAUSE	SUGGESTED REMEDY
<b>1. Fan will not start.</b>	1. Loose electrical connections in the ceiling cover.	1. Check the electrical connections at the ceiling cover.  <b> WARNING</b> <b>Make sure main power is turned OFF.</b>
<b>2. Fan sounds noisy.</b>	1. Blades not attached to fan. 2. Wire connectors inside light kit assembly are rattling.  3. Screws holding blades to motor are loose.	1. Attach blades to fan before operating. 2. Check to make sure wire connectors in light kit assembly are not rattling against each other or against the interior wall of the light kit assembly.  <b> WARNING</b> <b>Make sure main power is turned OFF.</b>  3. Tighten screws securely.
<b>3. Fan wobbles excessively.</b>	1. Setscrews in motor coupler are loose. 2. Setscrew in hanger ball/downrod assembly is loose. 3. Screws securing fan blades to motor are loose. 4. Hanger bracket and/or ceiling outlet box is not securely fastened.	1. Tighten both setscrews securely in the motor coupler. 2. Tighten the setscrew in the hanger ball/downrod assembly. 3. Check to be sure screws which attach the fan blades to the motor are tight. 4. Tighten the hanger bracket screws to the outlet box, and/or secure outlet box.
<b>4. LED light fixture will not illuminate.</b>	1. Loose Electrical Connectors.	1. Shut off the Branch Circuit Electricity at the Main Fuse Box or Circuit Breaker Panel and check the LED Light Fixture Assembly Electrical Connector for proper installation.

**Parrot  Uncle**