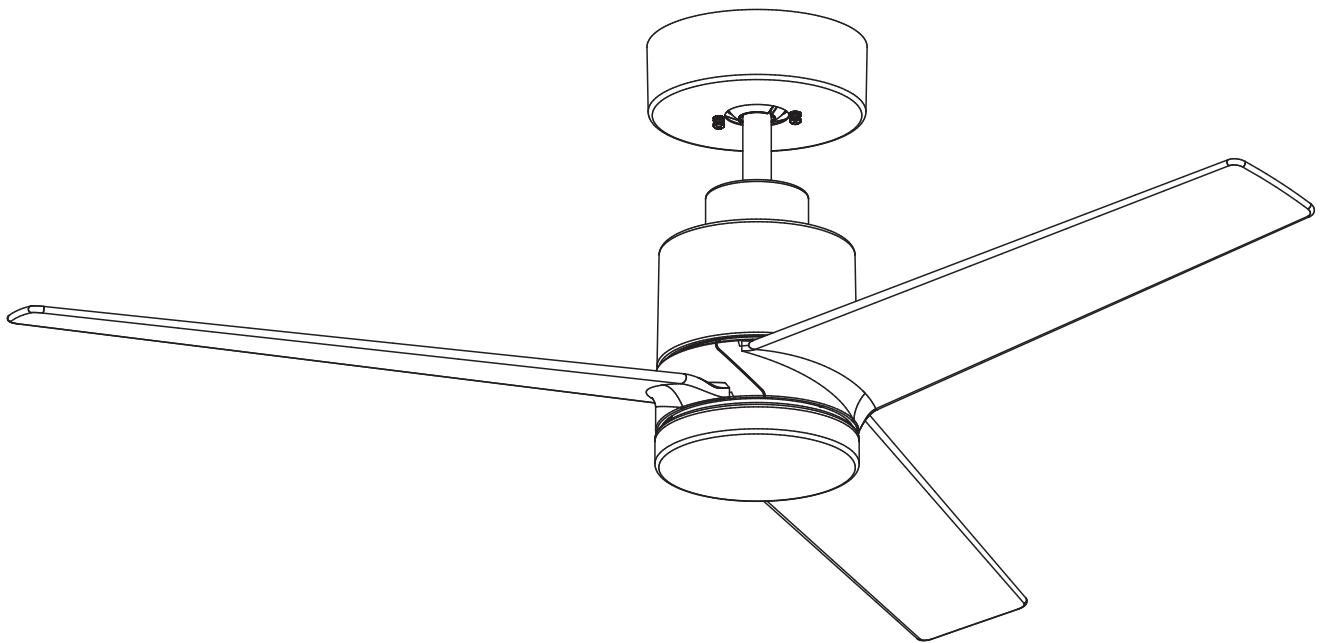


Parrot Uncle

CEILING FAN



Ceiling Fan Owner's Manual
44" BBCF344 / 54" BBCF354
44" BBCF345 / 54" BBCF355

USE AND CARE GUIDE

Table of Contents

Section	Page	Section	Page
Safety Instructions	2	6. LED Light Fixture Installation	17-18
1. Unpacking Instructions	3-4	7. Final Assembly	19
2. Electrical Requirements	4	8. Remote Control Procedures	20-23
3. Ceiling Fan Assembly	5-9	9. Maintenance	24
4. How to Hang Your Ceiling Fan	10-11	10. Energy Efficient Use of Ceiling Fans	24
5. How to Wire Your Ceiling Fan	12-16	11. Troubleshooting	25

READ AND SAVE THESE INSTRUCTIONS

Safety Instructions

WARNING

TO REDUCE THE RISK OF FIRE, ELECTRICAL SHOCK, OR INJURY TO PERSONS, OBSERVE THE FOLLOWING:

- Use this unit only in a manner intended by the manufacturer. If you have questions, contact the manufacturer.
- Before servicing or cleaning unit, switch power off at service panel and lock service panel disconnecting means to prevent power from being switched on accidentally. When the service disconnecting means cannot be locked, securely fasten a warning device, such as a tag, to the service panel.

- Read your owner's manual carefully and keep it for future reference.
- Be careful of the fan and blades when cleaning, painting, or working near the fan. Always turn off the power to the ceiling fan before servicing.
- Do not put anything into the fan blades while they are turning.

Additional Safety Instructions for Installation

- To avoid possible shock, be sure electricity is turned off at the main fuse box or circuit breaker panel before wiring, and do not operate fan without blades.
- All wiring must be in accordance with the National Electrical Code "ANSI/NFPA 70-2017" and Local Electrical Codes. Use the National Electrical Code if Local Codes do not exist. The ceiling fan must be grounded as a precaution against possible electrical shock. Electrical installation should be made or approved by a licensed electrician.
- The outlet box and joist must be securely mounted and capable of reliably supporting at least 50 pounds. Use only U.L. outlet boxes listed as "Acceptable for Fan Support of 22.7kg. (50 lbs.) or less", and use the mounting screws provided with the outlet box. Most outlet boxes commonly used for support of light fixtures are not acceptable for fan support and may need to be replaced. Consult a qualified electrician if in doubt.
- The downrod furnished with the fan provides the minimum recommended floor to fan blade clearance for an 8 foot ceiling.

CAUTION

To reduce the risk of injury, install the fan so that the blades are at least 7 ft. (2.1m) above the floor.

- Follow the recommended instructions for the proper method of wiring your ceiling fan. If you do not know enough about electrical wiring, have your fan installed by a licensed electrician.

NOTE: This fan is suitable for use with solid-state speed controls.

NOTE: All set screws must be checked and re-tightened where necessary before installation.

WARNING

To reduce the risk of electrical shock, this fan must be installed with an isolating wall control/switch.

To reduce the risk of fire or electrical shock, this fan should only be used with fan speed control, Model No. RH790NR200, manufactured by Rhine Electric Co., Ltd.

This product is designed to use only those parts supplied with this product and/or any accessories designated specifically for use with this product.

To reduce the risk of personal injury, do not bend the blade flange when installing the blade flanges, balancing the blades or cleaning the fan. Do not insert foreign objects in between rotating fan blades.

Chemical Burn Hazard. Keep batteries away from children. Always completely secure the battery compartment. If the battery compartment does not close securely, stop using the product, remove the batteries, and keep it away from children. This remote contains a lithium button/coin cell battery. If a new or used lithium button/coin cell battery is swallowed or enters the body, it can cause severe internal burns and can lead to death in as little as 2 hours. If you think batteries might have been swallowed or placed inside any part of the body, seek immediate medical attention. Dispose of cell batteries properly and keep away from children. Even used cell batteries may cause injury.

1. Unpacking Instructions

⚠ WARNING

Do not install or use fan if any part is damaged or missing.

⚠ WARNING

This product is designed to use only those parts supplied with this product and/or any accessories designated specifically for use with this product by Parrot Uncle.

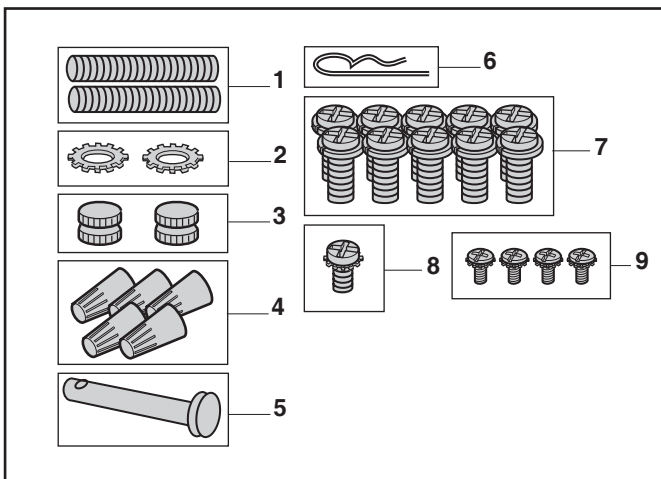
1.1

Open carton containing fan. Remove top half of styrofoam unit. Remove parts and check to see that you have received the following parts:

NOTE: If you are uncertain of part description, refer to exploded view illustration.

HARDWARE BAG CONTENTS

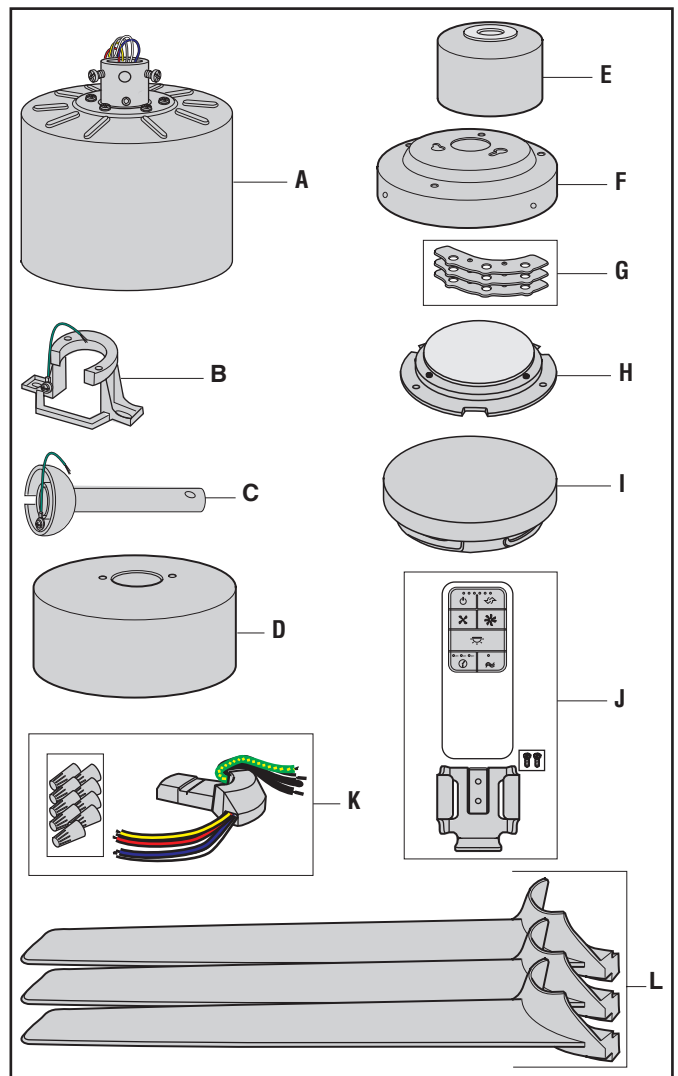
Part	Description	Qty
1	Threaded Studs, #8-32 x 1-1/4"	2
2	Lockwashers, External Tooth, #8	2
3	Knurled Knobs, #8-32	2
4	Wire Connectors, 12 ga.	5
5	Clevis Pin	1
6	Hairpin Clip	1
7	1/4-20 x 17 mm Pan Head Screws with Lockwashers (blade screws)	10
8	#6-32 x 3/8" Pan Head Screw with Lockwasher (light kit adapter screw) (spare)	1
9	#6-32 x 1/4" Pan Head Screws with Lockwashers	4



NOTE: Place the parts from the hardware bags in a small container to keep them from being lost.

PACKAGE CONTENTS

Part	Description	Quantity
A	Fan Motor Assembly	1
B	Hanger Bracket	1
C	Hanger Ball / 4.5" Downrod	1
D	Ceiling Cover	1
E	Motor Coupler Cover	1
F	Light Kit Adapter	1
G	Fan Blade Support Plates	3
H	LED Light Fixture Assembly	1
I	Glass Shade	1
J	Remote Control / Hardware	1
K	Wi-Fi Receiver / Hardware	1
L	Blade Set	3



1. Unpacking Instructions (Continued)

**THESE FAN MODELS ARE SUITABLE FOR WET LOCATIONS
SUCH AS PORCHES, PATIOS, AND DECKS.**

**This Manual Is Designed to Make it as Easy as Possible for You to Assemble,
Install, Operate and Maintain Your Ceiling Fan**

1.2

Remove the Fan Motor Assembly from the protective plastic bag. Place the Fan Motor Assembly onto the upper foam pad with the Bottom of the Fan Motor Assembly facing up.

The upper foam pad serves as a holder for the Fan during the first stages of assembly.

Tools Needed for Assembly

One Phillips Head Screwdriver One Stepladder
One 1/4" Blade Screwdriver One Wire Stripper

Materials

Wiring outlet box and box connectors must be of type required by the local code. The minimum wire would be a 3-conductor (2-wire with ground) of following size:

<u>Installed Wire Length</u>	<u>Wire Size A.W.G.</u>
Up to 50 ft.	14
50-100 ft.	12

WARNING

Before assembling your ceiling fan, refer to section on proper method of wiring your fan (page 12). If you feel you do not have enough wiring knowledge or experience, have your fan installed by a licensed electrician.

2. Electrical Requirements

Your new Ceiling Fan will require a Grounded Electrical Supply Line of 120 Volts AC, 60 Hz, 15 Amp Circuit.

WARNING

To reduce the risk of fire, electric shock, or personal injury, mount fan to outlet box marked "Acceptable for Fan Support of 22.7kg. (50 lbs.) or less", and use screws supplied with outlet box. Most outlet boxes commonly used for support of light fixtures are not acceptable for fan support and may need to be replaced. Consult a qualified electrician if in doubt.

WARNING

Turning off wall switch is not sufficient. To avoid possible electrical shock, be sure electricity is turned off at the main fuse box or circuit breaker panel before wiring. All wiring must be in accordance with National and Local codes and the ceiling fan must be properly grounded as a precaution against possible electrical shock.

The Outlet Box must be securely anchored and capable of withstanding a load of at least 50 Pounds.

If your Fan is to replace an Existing Ceiling Light Fixture, turn Electricity OFF at the Main Fuse Box or Circuit Breaker Panel at this time and remove the Existing Light Fixture.

WARNING

To avoid fire or shock, follow all wiring instructions carefully.

Any electrical work not described in these instructions should be done or approved by a licensed electrician.

3. Ceiling Fan Assembly

3.1

Place a Fan Blade onto the Fan Housing Assembly aligning the Three Screw Holes of the Blade with the Three Screw Holes of the Fan Housing Assembly (Figure 1).

Position a Fan Blade Support Plate Flush on the Fan Blade. The Two Raised Dimples should face up, as shown in Figure 1.

NOTE: If the Fan Blade Support Plate is NOT flush on the Fan Blade, the Fan Blade Support Plate is positioned incorrectly.

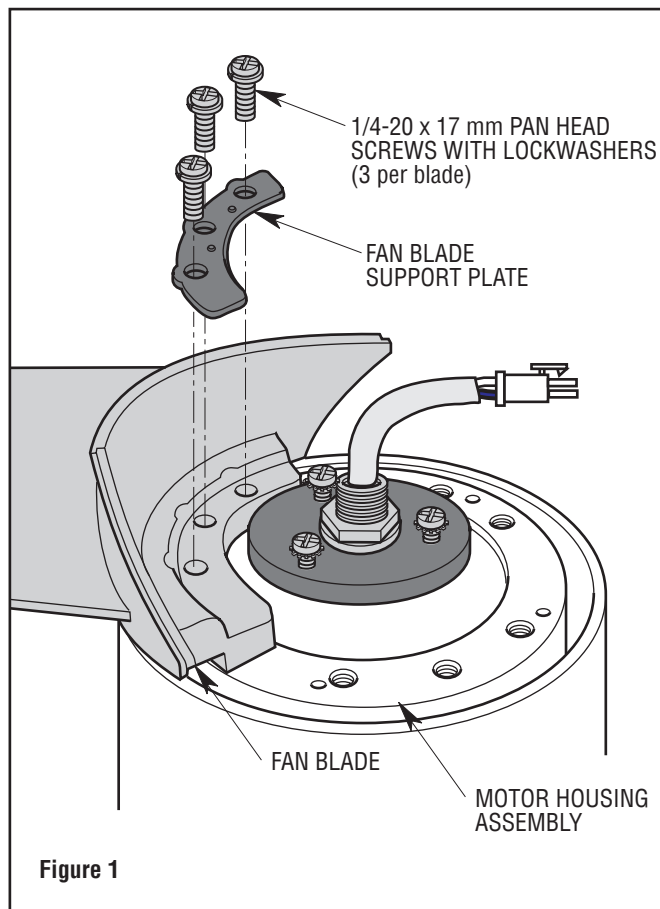
Secure the Fan Blade Support Plate and Fan Blade onto the Fan Housing Assembly using Three 1/4-20 x 17 mm Pan Head Screws with Lockwashers (supplied) (Figure 1).

Repeat for remaining Fan Blade Support Plates and Fan Blades. Tighten all Screws Securely.

NOTE: Take care not to scratch the Fan Housing Assembly when installing the Fan Blades.

WARNING

To reduce the risk of personal injury, do not bend the blade when installing, balancing or cleaning the fan. Do not insert foreign objects in between rotating fan blades.

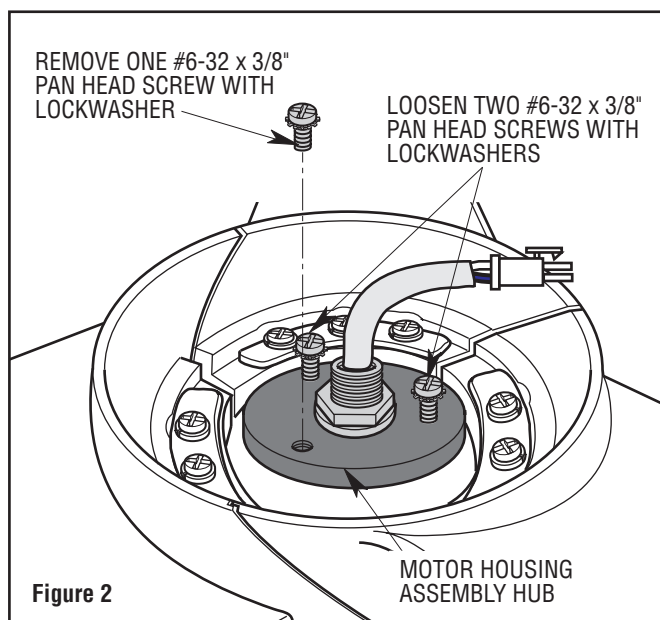


3.2

Remove One of the Three #6-32 x 3/8" Pan Head Screws with Lockwasher from the Motor Assembly Hub (Figure 2).

Retain the #6-32 x 3/8" Pan Head Screw with Lockwasher for future use.

Loosen the remaining Two #6-32 x 3/8" Pan Head Screws with Lockwashers (Figure 2).



3. Ceiling Fan Assembly (Continued)

3.3

Place the 2-pin Motor Assembly Connector through the Large Center Hole of the Light Kit Adapter (Figure 3).

NOTE: Position the 2-pin Motor Assembly Connector through the Light Kit Adapter Center Hole, making sure that the Light Kit Adapter does not pinch the wires.

Position the Light Kit Adapter Key Hole Slots onto the Two Loosened Screw Heads.

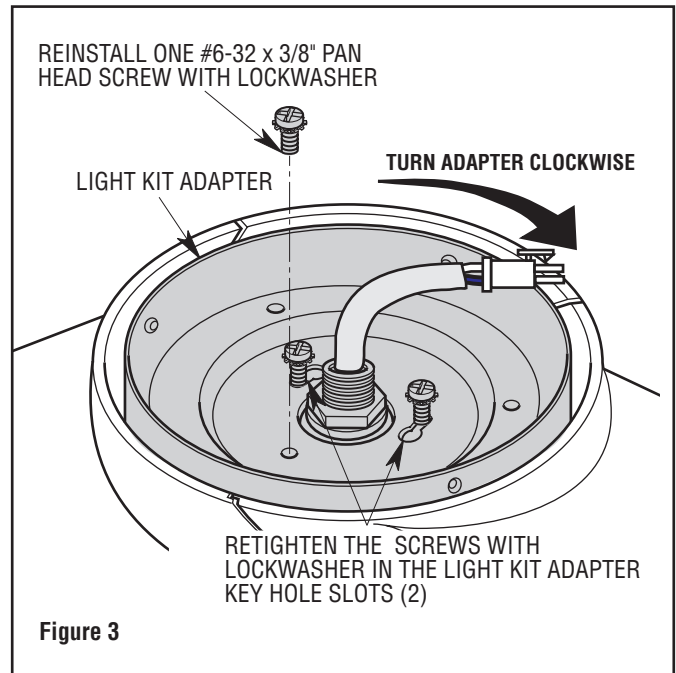
Rotate the Light Kit Adapter Clockwise to Engage the Two Screws.

NOTE: Verify that the serrated washers are not trapped between the Light Kit Adapter and the Motor Assembly Hub.

Reinstall the previously removed #6-32 x 3/8" Pan Head Screw with Lockwasher (Figure 3).

Retighten all Three #6-32 x 3/8" Pan Head Screws with Lockwashers to securely attach the Light Kit Housing Assembly to the Motor Assembly Hub (Figure 3).

A spare #6-32 x 3/8" Pan Head Screw with Lockwasher is in the hardware bag, if needed.



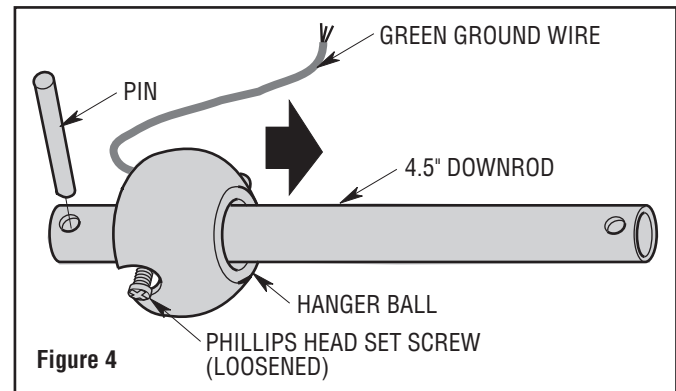
3.4

Remove the Hanger Ball by loosening the Phillips Head Set Screw in the Hanger Ball until the Ball falls freely down the 4.5" Downrod (Figure 4).

Remove the Pin from the 4.5" Downrod, then remove the Hanger Ball (Figure 4).

Retain the Pin and Hanger Ball for reinstallation in Step 3.11.

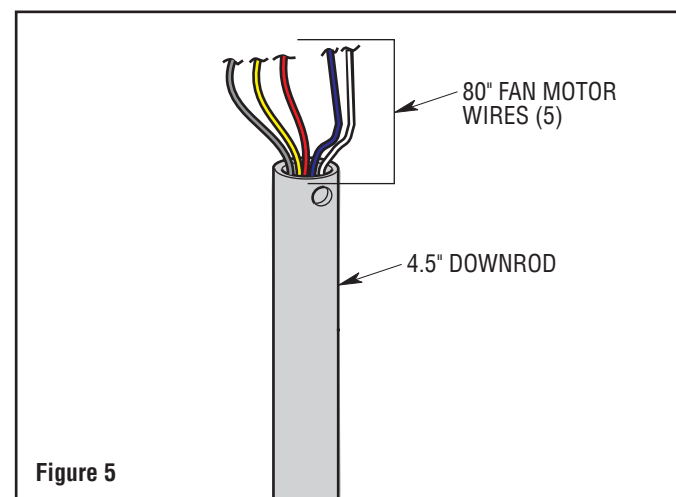
NOTE: Do not loosen the screw that attaches the green ground wire to the hanger ball.



3.5

Separate, untwist and unkink the Five 80" Motor Wires.

Route the Five 80" Motor Wires through the 4.5" Downrod (Figure 5).



3. Ceiling Fan Assembly (Continued)

3.6

Loosen the two Phillips Head Set Screws in the Motor Coupler for installation of the Downrod (Figure 6).

Seat the Downrod in the Motor Coupler (Figure 6).

Rotate and align the Downrod Holes with the two Holes in the Motor Coupler (Figure 6).

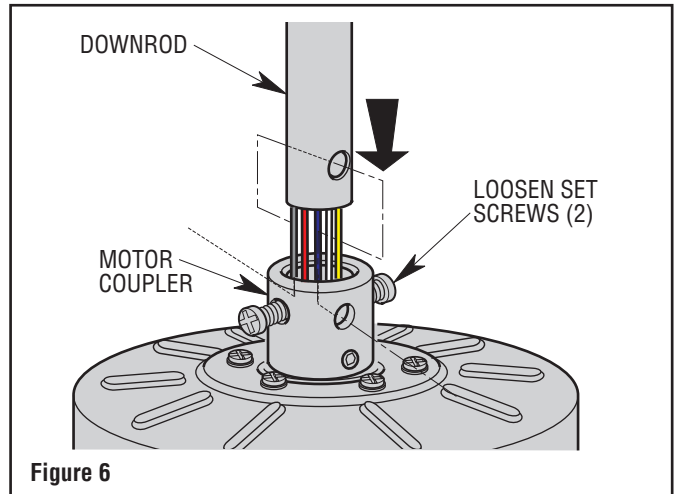


Figure 6

3.7

Slide the Clevis Pin through the Motor Coupler holes. Install the Hairpin Clip through the Clevis Pin Holes to secure (Figure 7).

NOTE: The Clevis Pin must go through the holes in the Motor Coupler. It is critical that the Clevis Pin is properly installed and secure.

⚠ WARNING

It is critical that the clevis pin and hairpin clip in the motor coupler are properly installed and secured. Failure to verify that the pin is properly installed could result in the fan falling.

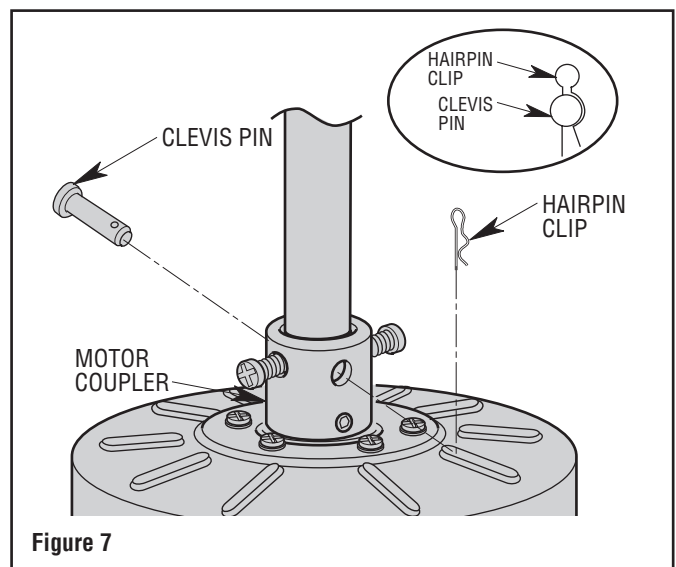


Figure 7

3.8

Retighten the two Phillips Head Set Screws evenly to secure the Downrod to the Motor Coupler in a vertical position (Figure 8).

⚠ WARNING

It is critical that the set screws in the motor coupler are securely tightened. Failure to verify that the set screws are properly installed could result in the fan falling.

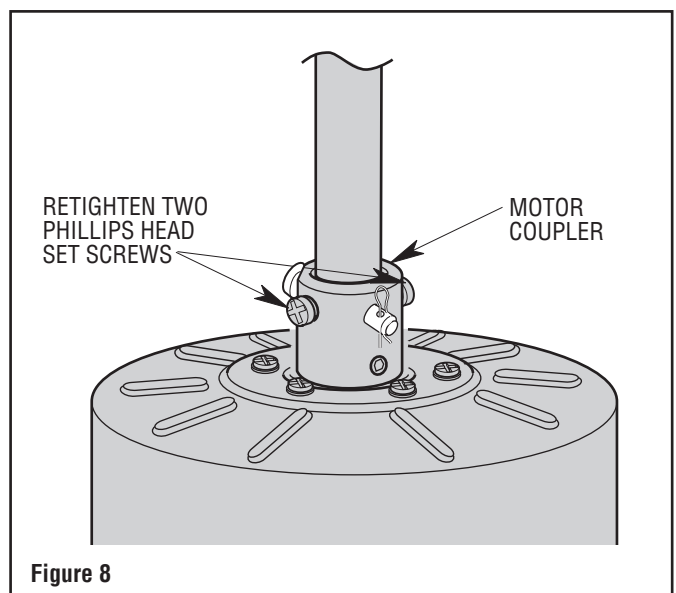


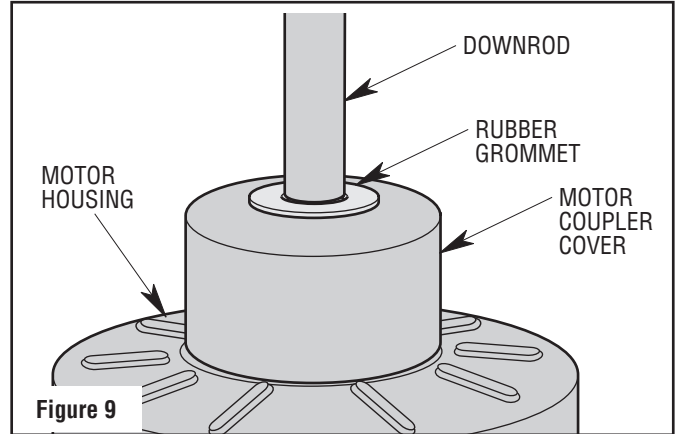
Figure 8

3. Ceiling Fan Assembly (Continued)

3.9

Make sure the Rubber Grommet is properly installed in the Motor Coupler Cover.

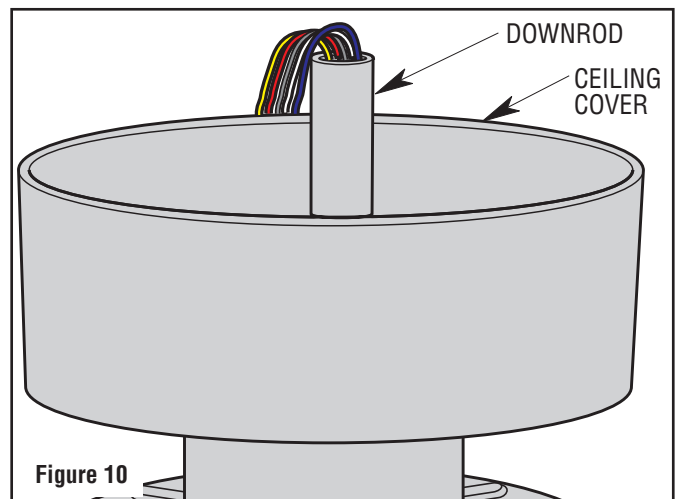
Slide the Motor Coupler Cover on the Downrod until it rests on the Motor Housing (Figure 9).



3.10

Place the Ceiling Cover over the Downrod (Figure 10).

Be sure that the Ceiling Cover and the Motor Coupler Cover are both oriented correctly (Figure 10).



3.11

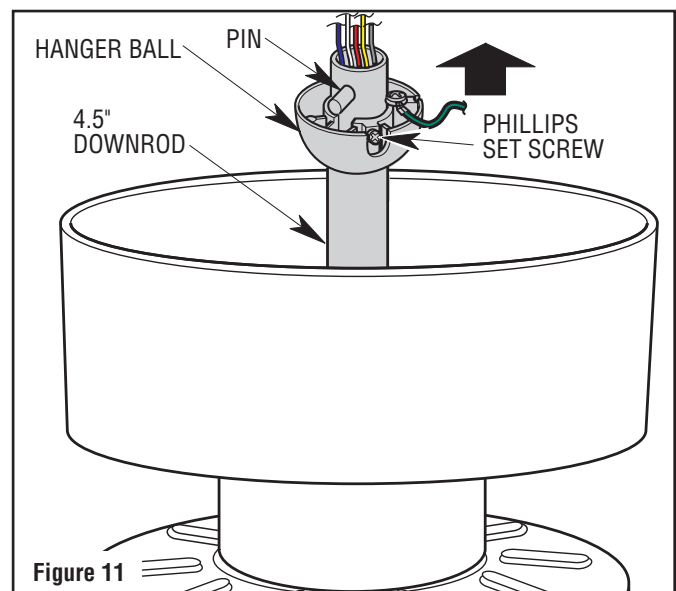
Route the Wires through the Hanger Ball (Figure 11).

Reinstall the Hanger Ball on the Downrod as follows:

Position the Pin through the Two Holes in the Downrod and align the Hanger Ball so the Pin is captured in the Groove in the top of the Hanger Ball (Figure 11).

Pull the Hanger Ball up tight against the Pin and securely tighten the Phillips Set Screw in the Hanger Ball (Figure 11).

NOTE: A loose Set Screw could create Fan wobble.



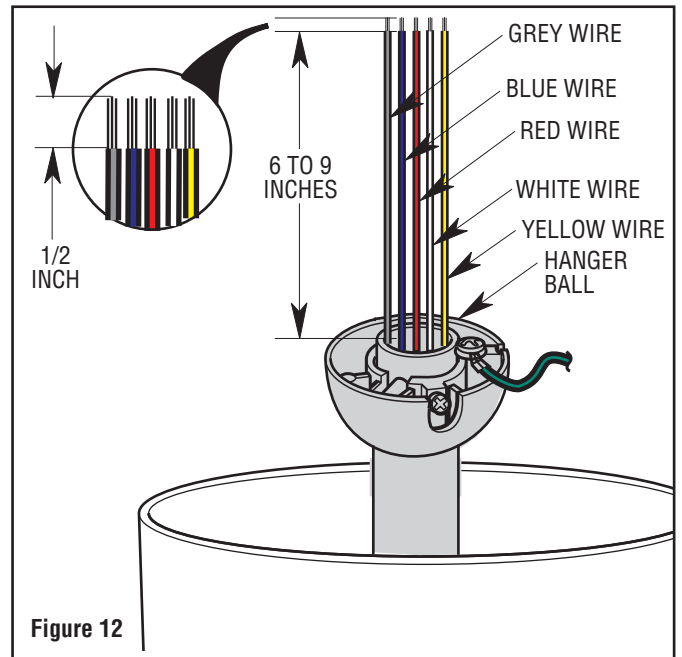
3. Ceiling Fan Assembly (Continued)

3.12

The Fan comes with Blue, White, Grey, Red, and Yellow Wires that are 80-inches long.

Before installing the Fan, measure up approximately 6 to 9-inches above top of Hanger Ball / Downrod Assembly (Figure 12).

Cut off excess Wires and strip back insulation 1/2-inch from end of Wires.



4. How to Hang Your Ceiling Fan

⚠ CAUTION

To reduce the risk of injury, install the fan so that the blades are at least 7 ft. (2.1m) above the floor (Figure 13).

⚠ WARNING

To avoid possible electrical shock, be sure electricity is turned off at the main fuse box or circuit breaker panel before wiring.

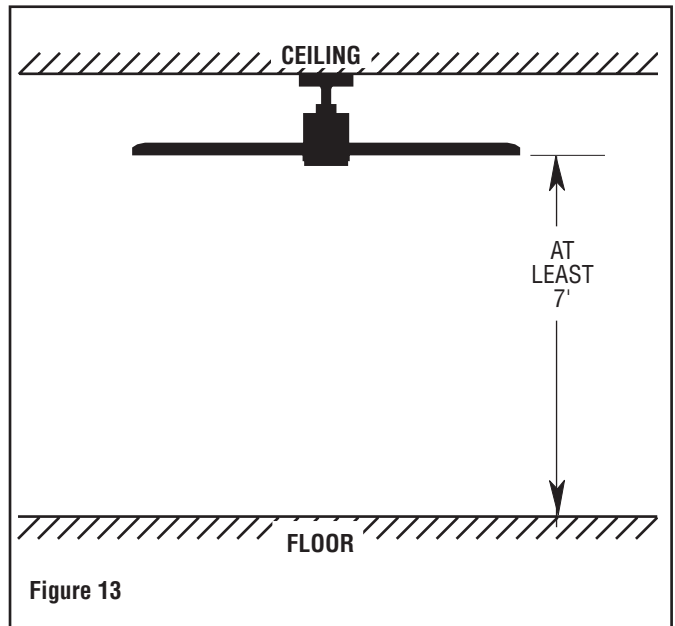
NOTE: If you are not sure if the outlet box is grounded, contact a licensed electrician for advice, as it must be grounded for safe operation.

⚠ WARNING

Turning off wall switch is not sufficient. To avoid possible electrical shock, be sure electricity is turned off at the main fuse box or circuit breaker panel before wiring. All wiring must be in accordance with National and Local codes and the ceiling fan must be properly grounded as a precaution against possible electrical shock.

4.1

Disconnect electrical power to the branch circuit at the Circuit Breaker Panel or Main Fuse Box before attempting to install the Ceiling Fan on the Outlet Box.



⚠ WARNING

To avoid fire or shock, follow all wiring instructions carefully.

Any electrical work not described in these instructions should be done or approved by a licensed electrician.

4. How to Hang Your Ceiling Fan (Continued)

⚠ WARNING

The outlet box and joist must be securely mounted and capable of supporting at least 50 lbs. Use only a U.L. outlet box listed as "Acceptable for Fan Support of 22.7 kg. (50 lbs.) or less".

⚠ WARNING

To reduce the risk of fire, electric shock, or personal injury, mount fan to outlet box marked "Acceptable for Fan Support of 22.7 kg. (50 lbs.) or less", and use screws supplied with outlet box. Most outlet boxes commonly used for support of light fixtures are not acceptable for fan support and may need to be replaced. Consult a qualified electrician if in doubt.

4.2

Securely attach the Hanger Bracket to the Outlet Box using the two Screws supplied with the Outlet Box. (Figure 14).

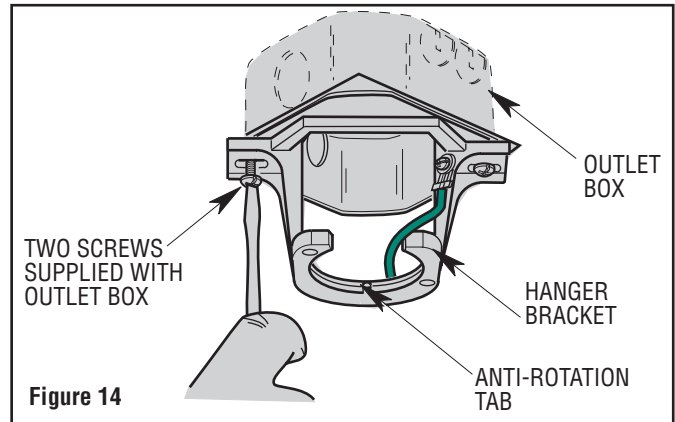


Figure 14

⚠ WARNING

Hanger bracket must seat firmly against outlet box. If the outlet box is recessed, remove wall board until bracket contacts box. If bracket and/or outlet box are not securely attached, the fan could wobble or fall.

4.3

Carefully lift the partially assembled Ceiling Fan and seat the Hanger Ball / Downrod Assembly into the Hanger Bracket that was just attached to the Outlet Box (Figure 15).

Be sure the Groove in the Ball is engaged with the Anti-rotation Tab on the Hanger Bracket (Figure 15).

NOTE: Be very careful not to bend the blade assemblies while hanging the partially assembled ceiling fan.

⚠ WARNING

Failure to seat the anti-rotation tab into the hanger ball groove could cause damage to electrical wires and possible shock or fire hazard.

⚠ WARNING

To avoid possible fire or shock, do not pinch wires between the hanger ball/downrod assembly and hanger bracket.

NOTE: CEILING COVER, SUPPLY WIRES AND FAN WIRES OMITTED FOR CLARITY.

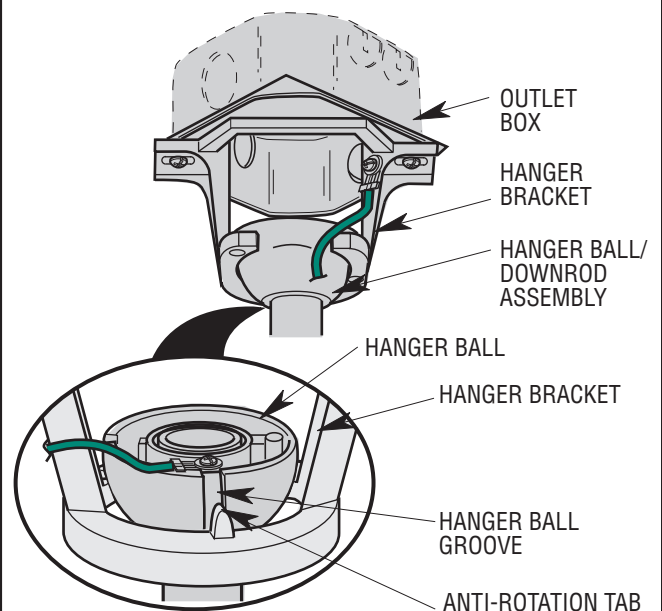


Figure 15

5. How to Wire Your Ceiling Fan

If you feel that you do not have enough electrical wiring knowledge or experience, have your fan installed by a licensed electrician.

⚠ WARNING

To avoid possible electrical shock, be sure electricity is turned off at the main fuse box or circuit breaker panel before wiring.

NOTE: If you are not sure if the outlet box is grounded, contact a licensed electrician for advice, as it must be grounded for safe operation.

5.1

Position the Supply Wires to the left side of the Outlet Box (Figure 16); position the Fan Wires to the right side.

Partially insert the Remote Control Receiver (flat side up) until one end rests on the Hanger Ball as shown in Figure 16.

⚠ CAUTION

To reduce the risk of electrical shock, disconnect the electrical supply circuit before installing the fan or receiver.

⚠ WARNING

Turning off wall switch is not sufficient. To avoid possible electrical shock, be sure electricity is turned off at the main fuse box or circuit breaker panel before wiring. All wiring must be in accordance with National and Local codes and the ceiling fan must be properly grounded as a precaution against possible electrical shock.

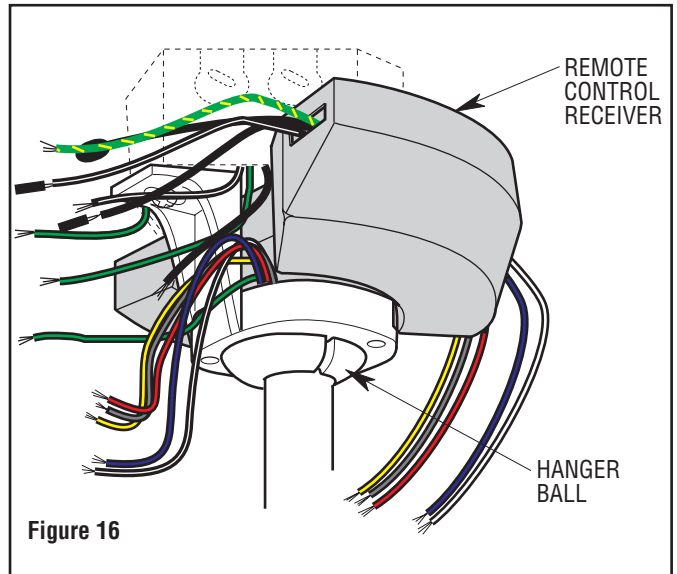


Figure 16

⚠ WARNING

This product is designed to use only those parts supplied with this product and/or any accessories designated specifically for use with this product by Parrot Uncle.

5.2

Connect the Hanger Ball Green Ground Wire, the Hanger Bracket Green Ground Wire, and the Remote Control Receiver Green/Yellow Ground Wire to the Supply Ground Conductor (this may be a bare wire or wire with green colored insulation).

Securely connect Wires with a 12 ga. Wire Connector (supplied in parts bag) (Figure 17).

NOTE: Make all Wiring Connections using Wire Connectors (supplied). Make sure that all Connections are tight, including Ground, and that no bare wire is visible at the Wire Connectors, except for the Ground Wire.

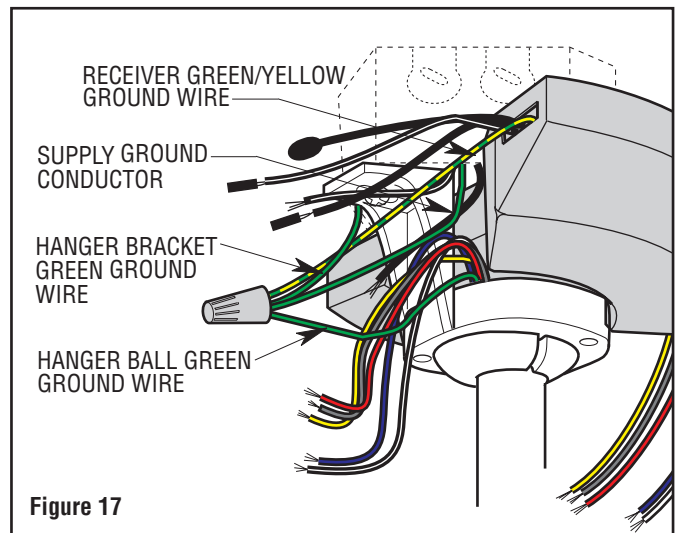
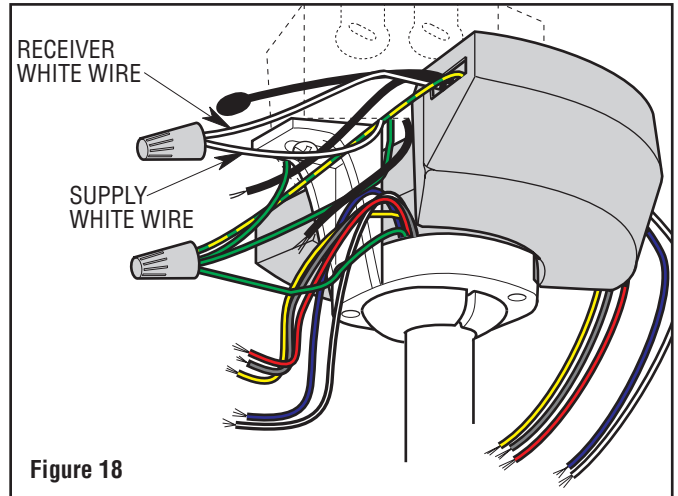


Figure 17

5. How to Wire Your Ceiling Fan (Continued)

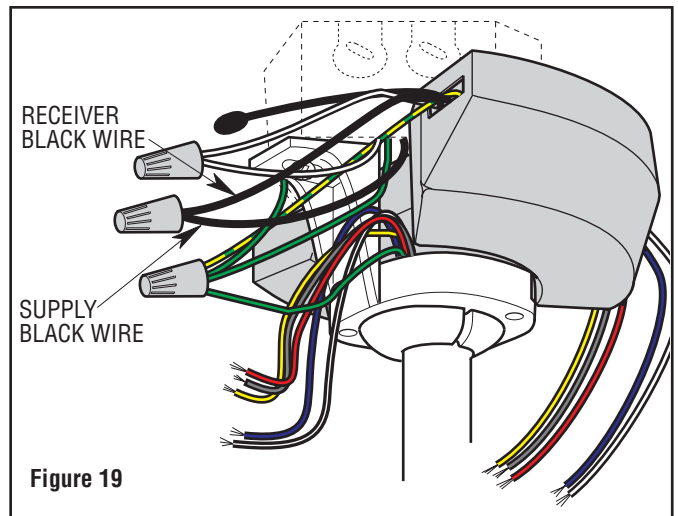
5.3

Securely connect the Supply White (neutral) Wire to the Receiver White (AC IN N) Wire using a 12 ga. Wire Connector (supplied in parts bag) (Figure 18).



5.4

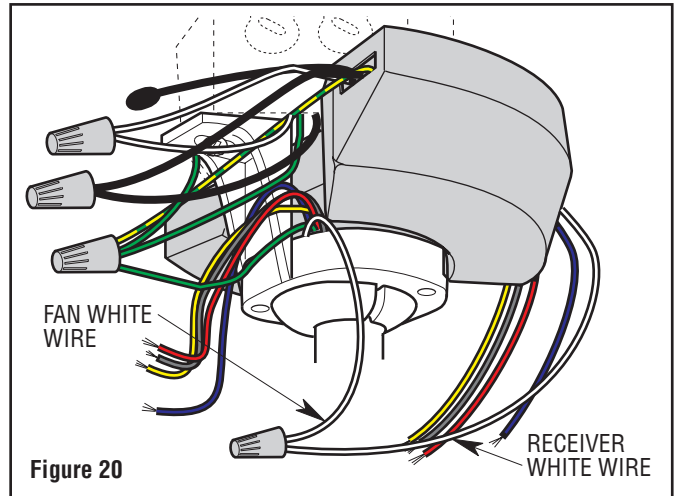
Securely connect the Supply Black (hot) Wire to the Receiver Black (AC IN L) Wire using a 12 ga. Wire Connector (supplied in parts bag) (Figure 19).



5. How to Wire Your Ceiling Fan (Continued)

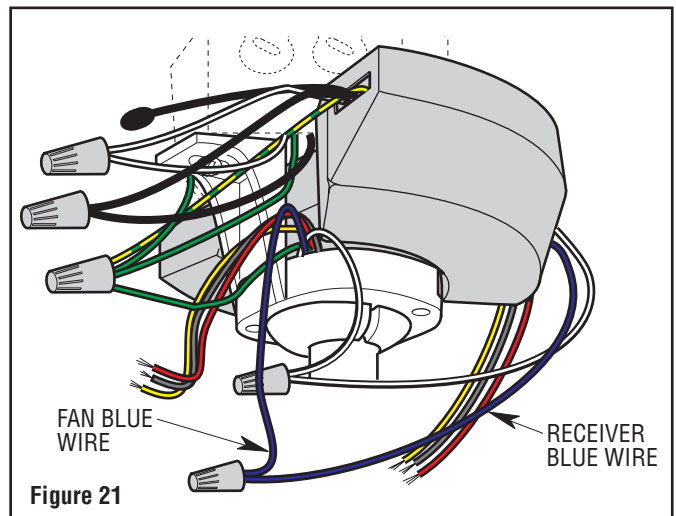
5.5

Securely connect the Fan White (neutral) Wire to the Receiver White (FOR LIGHT) Wire using a 18 ga. Wire Connector (supplied with receiver) (Figure 20).



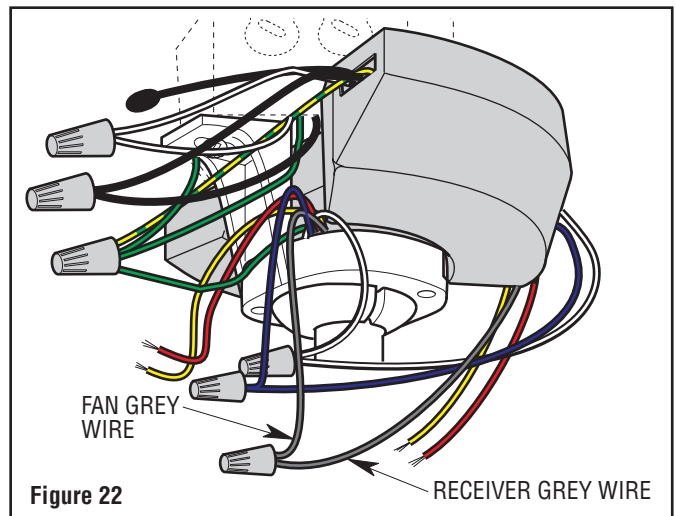
5.6

Securely connect the Fan Blue Wire to the Receiver Blue (FOR LIGHT) Wire using a 18 ga. Wire Connector (supplied with receiver) (Figure 21).



5.7

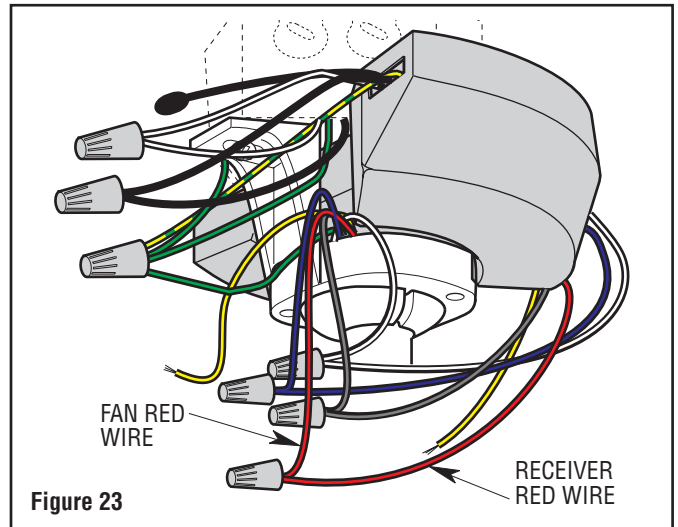
Securely connect the Fan Grey Wire to the Receiver Grey (TO MOTOR) Wire using a 18 ga. Wire Connector (supplied with receiver) (Figure 22).



5. How to Wire Your Ceiling Fan (Continued)

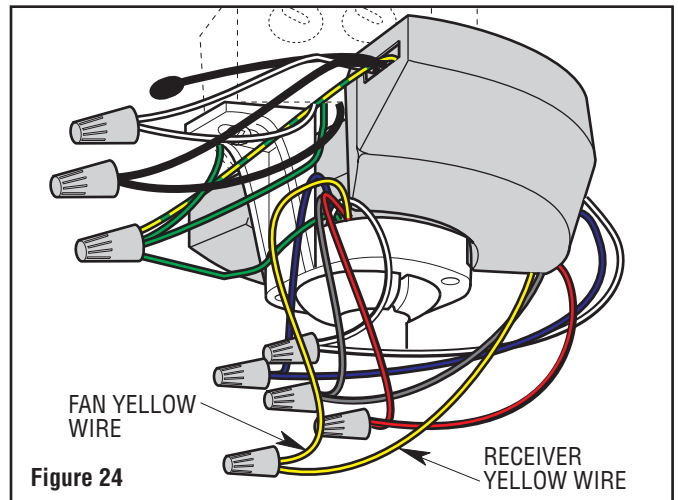
5.8

Securely connect the Fan Red Wire to the Receiver Red (TO MOTOR) Wire using a 18 ga. Wire Connector (supplied with receiver) (Figure 23).



5.9

Securely connect the Fan Yellow Wire to the Receiver Yellow (TO MOTOR) Wire using a 18 ga. Wire Connector (supplied with receiver) (Figure 24).



5. How to Wire Your Ceiling Fan (Continued)

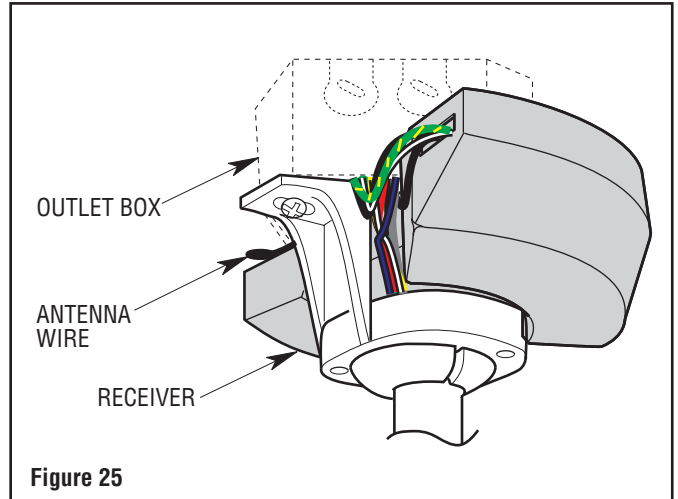
5.10

After Connections have been made, turn Wires and Connectors upward and carefully push them into the Outlet Box (Figure 25).

Position the Antenna Wire on top of the Receiver. Slide the Receiver completely onto the Hanger Ball, nestled in the Hanger Bracket (Figure 25).

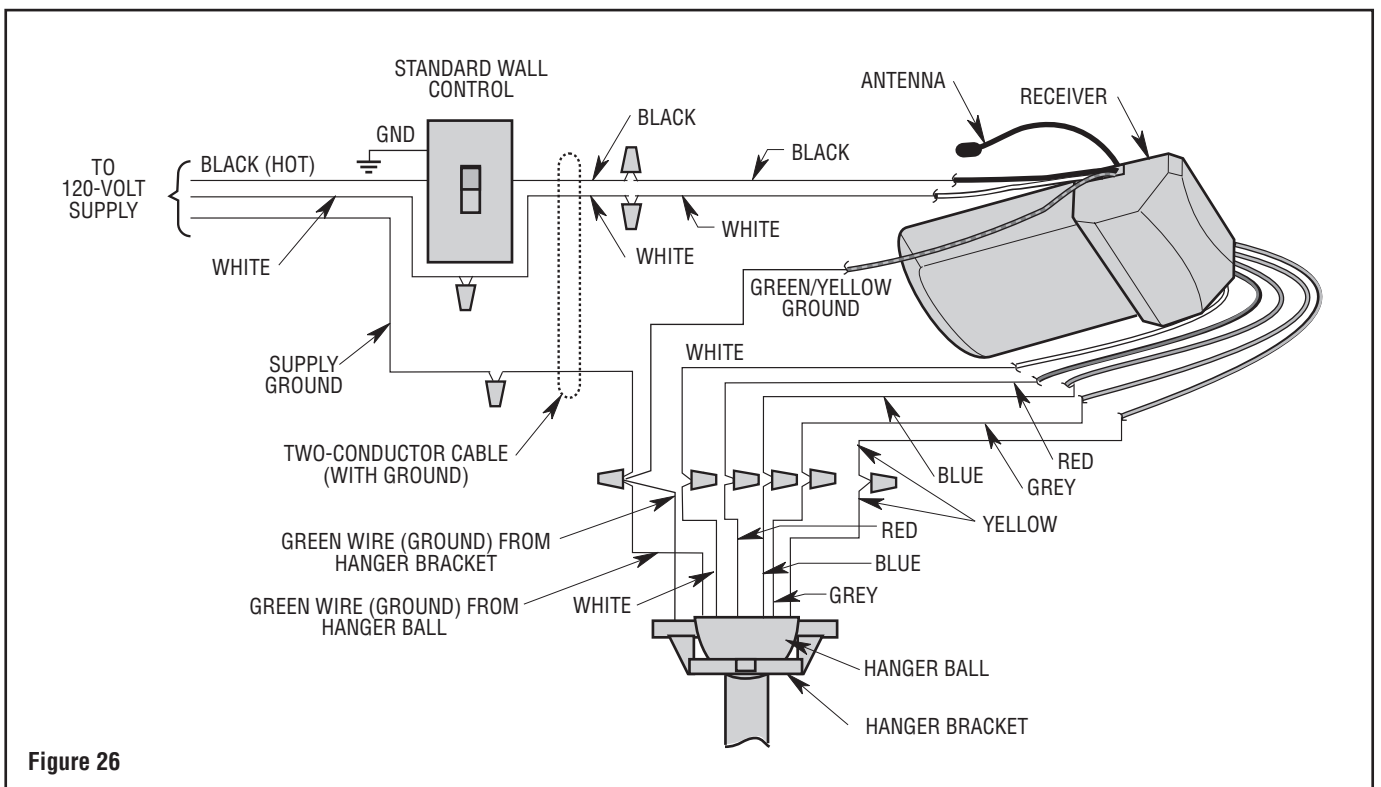
⚠ WARNING

Check to see that all connections are tight, including ground, and that no bare wire is visible at the wire connectors, except for the ground wire. Do not operate fan until blades are in place. Noise and fan damage could result.



5.11

Wiring Schematic for reference (Figure 26).

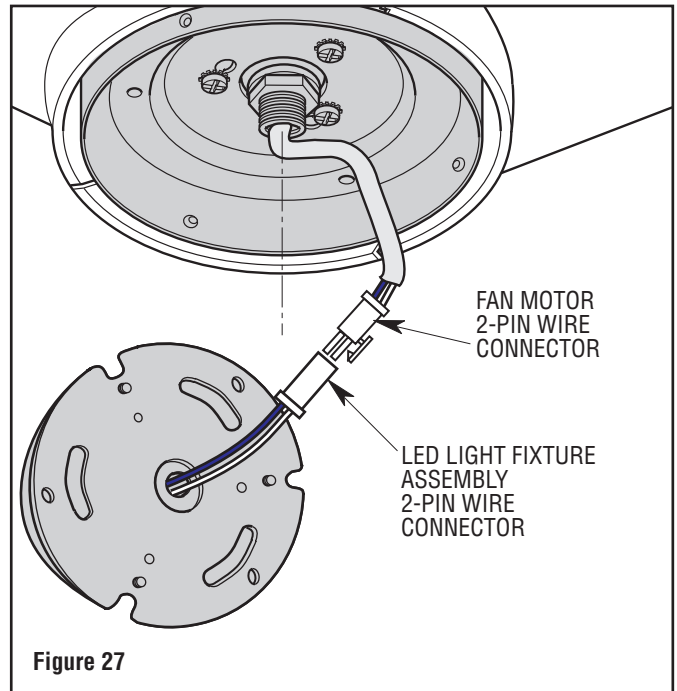


6. LED Light Fixture Installation

6.1

Engage the Fan Motor 2-Pin Wire Connector into the LED Light Fixture Assembly 2-pin Wire Connector (Figure 27.)

The connection is complete when you hear a soft click.



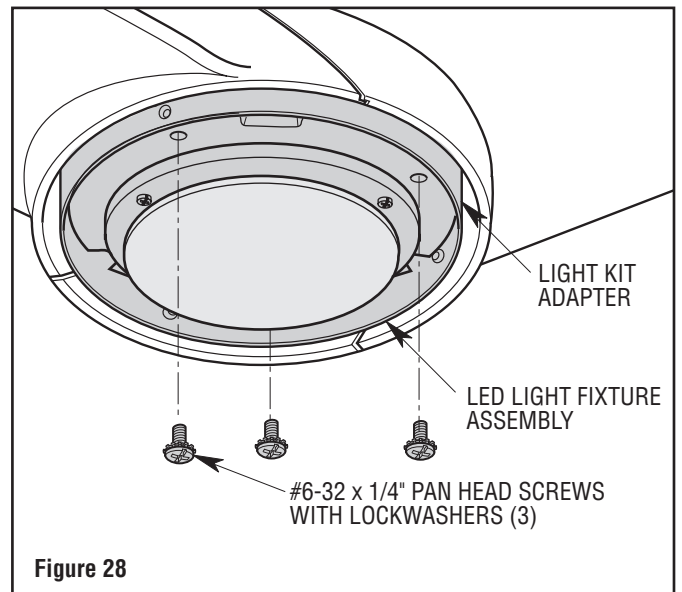
6.2

Carefully tuck all the Wires and Connectors into the Light Kit Adapter.

Position the LED Light Fixture Assembly onto the Light Kit Adapter, aligning the Three Holes.

NOTE: Verify that the wires and connectors are not trapped between the LED Light Fixture Assembly and the Light Kit Adapter.

Install and tighten the Three #6-32 x 1/4" Pan Head Screws with Lockwashers (supplied with Light Fixture) to complete the installation of the LED Light Fixture Assembly (Figure 28)



⚠ WARNING

To avoid possible fire or shock, do not pinch wires between the Light Kit Adapter and the LED Light Fixture Assembly.

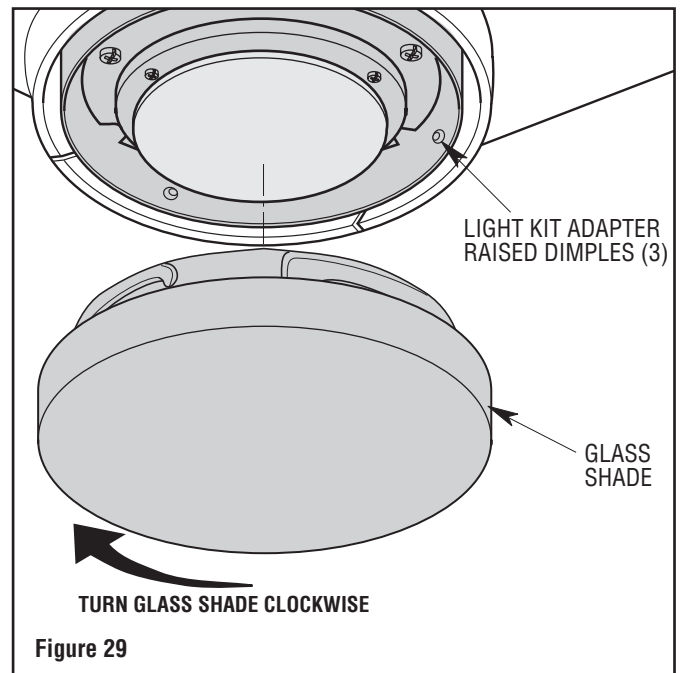
6. LED Light Fixture Installation

6.3

Place the Glass Shade into the opening of the Light Kit Adapter, aligning the Three Flat Areas on the top edge of the Shade with the Three Raised Dimples on the Light Kit Adapter and turn the Glass Shade Clockwise until it stops (Figure 29)

NOTE: Periodically check that the Glass Shade is seated fully clockwise in the Light Kit Adapter.

NOTE: This concludes the Installation of the LED Light Fixture.



7. Final Assembly

7.1

Screw the Two Threaded Studs (supplied) into the Tapped Holes in the Hanger Bracket (Figure 30).

NOTE: Be sure the wires stay on the outside of the threaded rods when installing the ceiling cover.

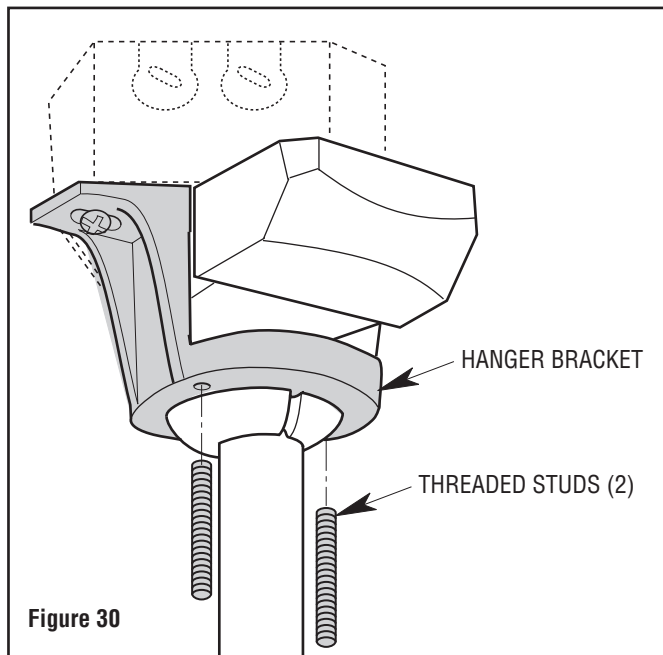


Figure 30

7.2

Lift the Ceiling Cover up to the Threaded Studs and turn until studs protrude through the holes in the Ceiling Cover (Figure 31).

Secure the Ceiling Cover in place by sliding Lockwashers (supplied) over the Threaded Studs and installing the two Knurled Knobs (supplied). (Figure 31).

Tighten the Knurled Knobs securely until the Ceiling Cover fits snugly against the ceiling and the hole in the Ceiling Cover is clear of the Downrod.

⚠ WARNING

To avoid possible fire or shock, make sure that the electrical wires are completely inside the outlet box and not pinched between the ceiling cover and the ceiling.

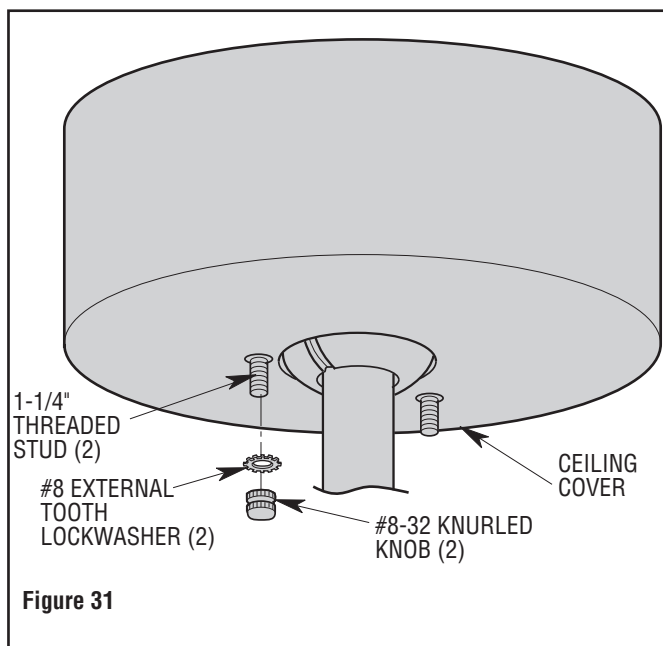


Figure 31

You have now completed the assembly of your new Ceiling Fan.

8. Remote Control Procedures

8.1: Preset Memory Feature

Your Receiver is equipped with a preset memory feature. If the AC supply to the Receiver is powered through a wall switch, when the switch is turned OFF, the Control will remember the Light Intensity and Fan Speed.

When the Switch is turned back ON the Light and Fan will resume operation as they were prior to the Switch being turned OFF.

8.2

The Remote Control Transmitter is powered by One CR2032 Lithium Battery (included).

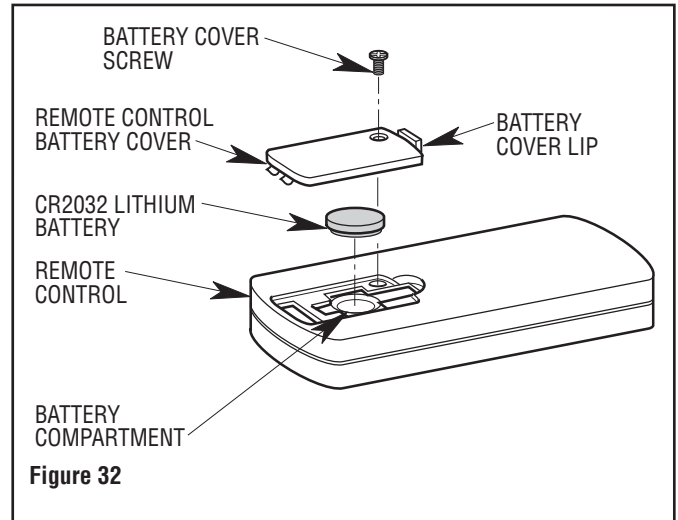
Removal of Cover:

Remove and Retain the Battery Cover Phillips Head Screw (Figure 32).

Press down and pull back on the Remote Control Battery Cover Lip (Figure 32).

Install one new CR2032 Lithium Battery into the Battery Compartment following the correct Battery placement printed on the Compartment (Figure 32).

NOTE: Dispose of cell batteries properly and keep away from children. Even used cell batteries may cause injury.



⚠ WARNING

Chemical Burn Hazard. Keep batteries away from children. Always completely secure the battery compartment. If the battery compartment does not close securely, stop using the product, remove the batteries, and keep it away from children. This remote contains a lithium button/coin cell battery. If a new or used lithium button/coin cell battery is swallowed or enters the body, it can cause severe internal burns and can lead to death in as little as 2 hours. If you think batteries might have been swallowed or placed inside any part of the body, seek immediate medical attention. Dispose of cell batteries properly and keep away from children. Even used cell batteries may cause injury.

8.3

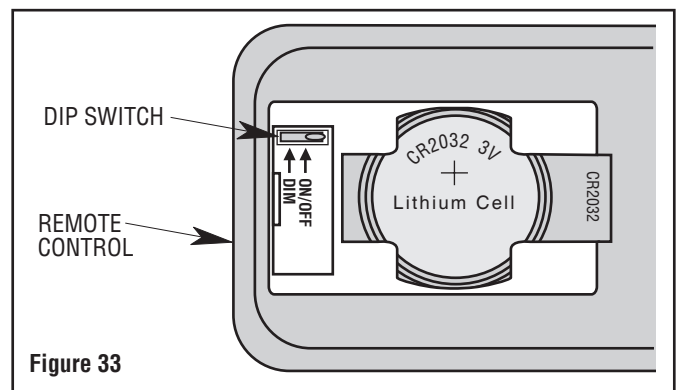
The Dip Switch is marked ON/OFF and DIM (Figure 33). Set the Dip Switch to DIM to allow for Dimming of the Lights.

Set the Dip Switch to ON/OFF for No Dimming of the Lights.

Battery Cover Replacement:

Slide the Cover onto the Remote Control engaging the Cover Lip into the Slot.

Reinstall the Battery Cover Phillips Head Screw securely.



8. Remote Control Procedures (Continued)

⚠ WARNING


Fan installation must be completed, including the installation of the fan blades, before testing the remote control.

8.4

Remote Control Pairing:

Your Brands Ceiling Fan/Light Remote Control consists of Hand-Held Transmitter and a Receiver which is mounted in the Hanger Bracket under the Fan Ceiling Cover.

NOTE: The following procedure must be completed to ensure proper operation of your fan. By not setting the code your fan may receive unwanted commands from nearby remotes on the same frequency.

Within 1 Minute of Restoring Electricity to the Ceiling Fan, push and hold the Remote Control FAN POWER OFF Button () for 3 to 5 seconds to set the Code in the Receiver (Figure 34). Up to 5 Remotes can be paired.

NOTE: The fan's LED light will flash and the blades will partially rotate left and right when the code is set.

The Remote Control is designed to separately control your Ceiling Fan Speed and Light Intensity (Figure 34).

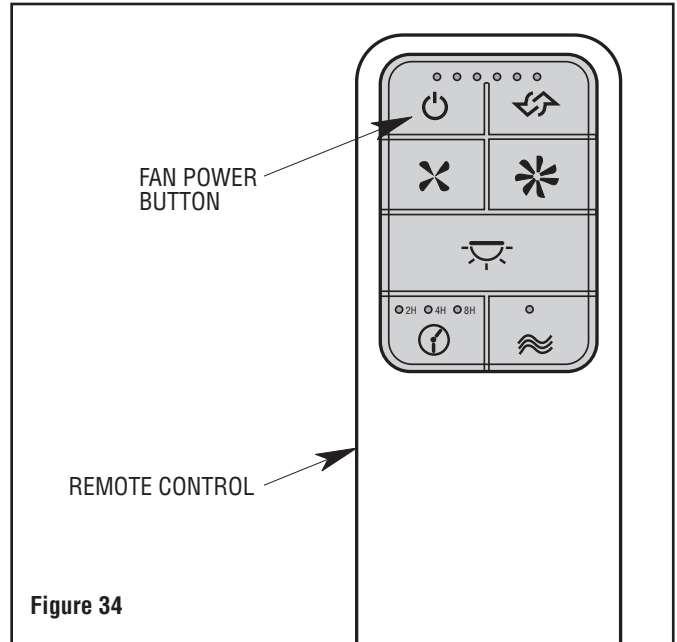



Figure 34

To Clear Paired Transmitters from the Receiver's Memory, within 1 Minute of restoring Electricity, Push and Hold the Remote Control FAN POWER OFF Button () for 10 Seconds.


The Fan's LED Light will Flash Twice at 5 Seconds and Twice again at 10 Seconds.

The Memory is now Cleared and a Transmitter will need to be Paired as described previously.

NOTE: Clearing the receiver's memory of paired remote controls will return the receiver to factory settings, allowing all remotes to operate your fan. Pairing at least one remote will lock out all unwanted remotes.

8.5

FAN POWER OFF Button ():

The Remote Control FAN POWER OFF Button () turns the Ceiling Fan Power OFF (Figure 35).

NOTE: The Air Flow, Speed Control, Auto Timer and Light Power are all controlled from their own Buttons.

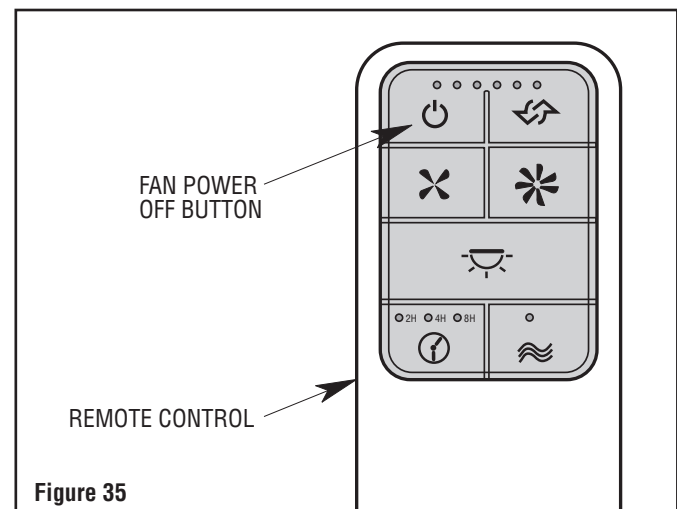



Figure 35

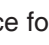
8. Remote Control Procedures (Continued)


8.6



Ceiling Fan Air Flow & Speed Control:



If Airflow is desired in the opposite direction, press the REVERSE Button () on the Remote Control (Figure 36). The Fan must be operating at any Speed for the REVERSE Button to function. The Blades will turn in the opposite direction and reverse the airflow.

6 Fan Speeds: The Six Indicator Lights across the top of the Remote Control will illuminate to the corresponding speed.

To turn the Fan ON and to Increase the Fan Speed, Press the () Button once for each of the 6 Speeds (Figure 36).

To turn the Fan ON and to Decrease the Fan Speed, Press the () Button once for each of the 6 Speeds (Figure 36).

NOTE: If the fan is OFF, the first time the () or () button is pressed, it will turn the fan ON at the speed previously selected.

To set the Fan Speed to imitate a Breeze with variable speeds, press the BREEZE MODE Button () (Figure 36). To stop the Breeze, press the BREEZE MODE Button ().

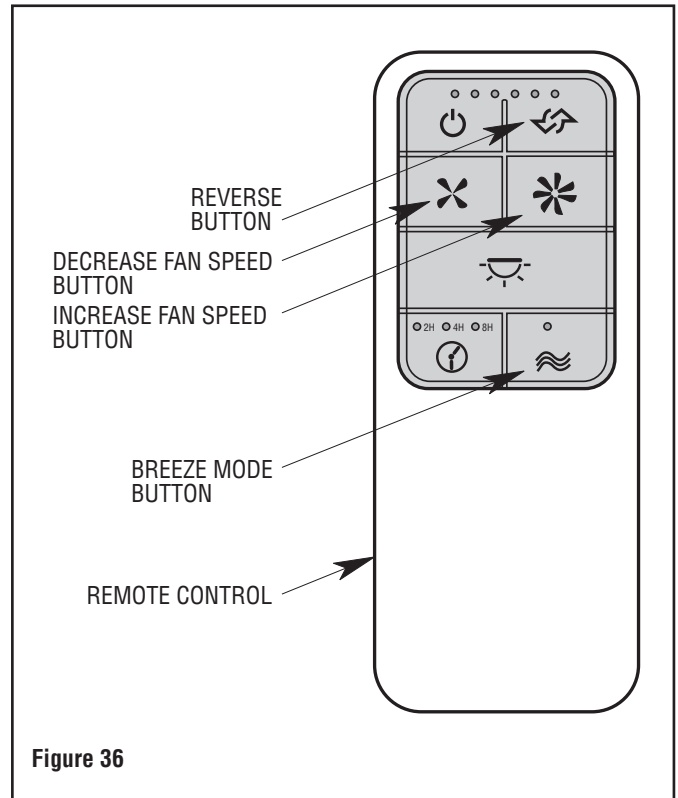



Figure 36

8.7

LIGHT POWER Button () (Figure 37):

Press the LIGHT POWER Button () to turn the Ceiling Fan Light ON or OFF.

Dimming Method:

Set the Dip Switch to DIM in the Remote Control's Battery Compartment as noted in Section 8.3.

Press and Hold the LIGHT POWER Button () to set the light intensity.

NOTE: When light power is cycled ON/OFF the light will turn on at the intensity previously selected.

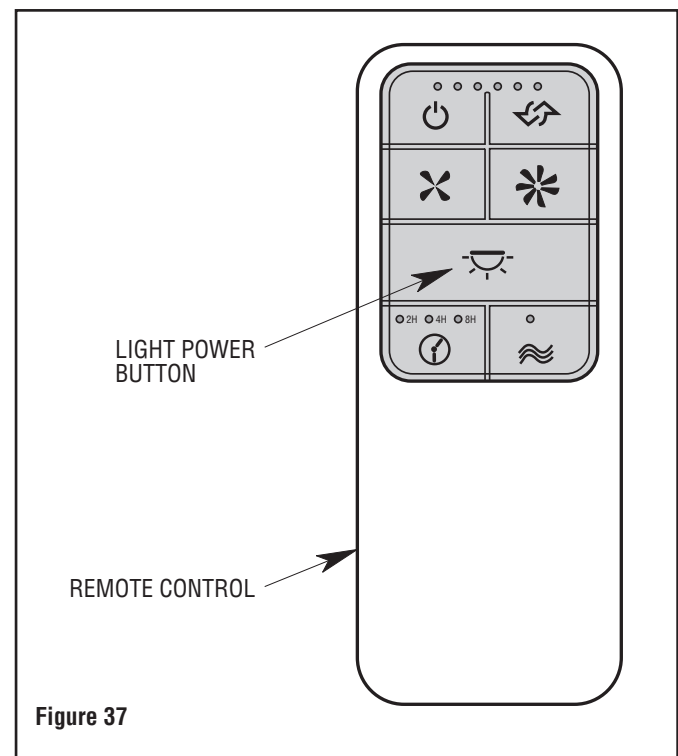




Figure 37


8. Remote Control Procedures (Continued)

8.8

AUTO TIMER Button () (Figure 38):

While the Ceiling Fan is moving, press the AUTO TIMER Button () Once - Runs the Ceiling Fan for 2 Hours. The 2H Indicator Light Will Illuminate.

While the Ceiling Fan is moving, press the AUTO TIMER Button () Twice - Runs the Ceiling Fan for 4 Hours. The 4H Indicator Light Will Illuminate.

While the Ceiling Fan is moving, press the AUTO TIMER Button () Three Times - Runs the Ceiling Fan for 8 Hours. The 8H Indicator Light Will Illuminate.

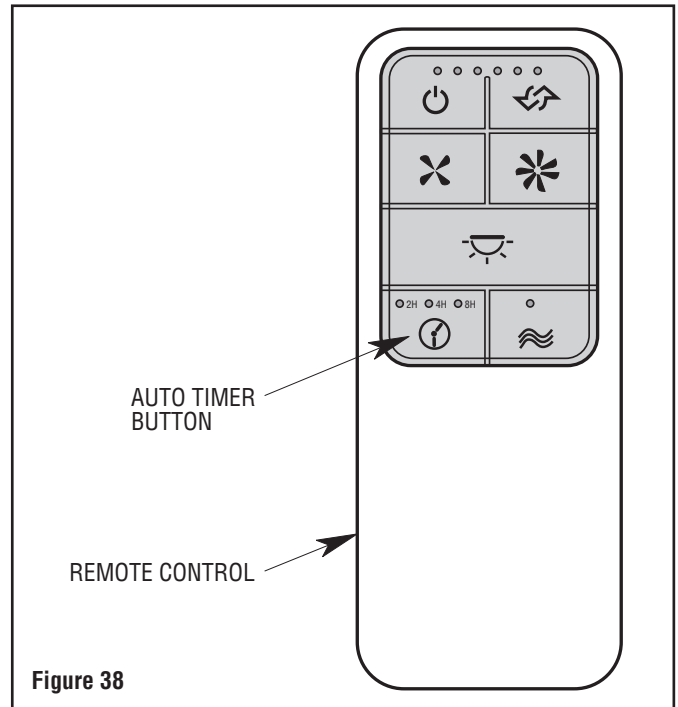


Figure 38

8.9

A Storage Bracket is provided for holding your Remote Control when not in use. If you desire to use the Bracket, install it on a Wall that is away from excess heat or humidity.

Slide the Wall Bracket Cover up to expose the Screw Holes for installation (Figure 39).

Position the Bracket on the Wall in desired location.

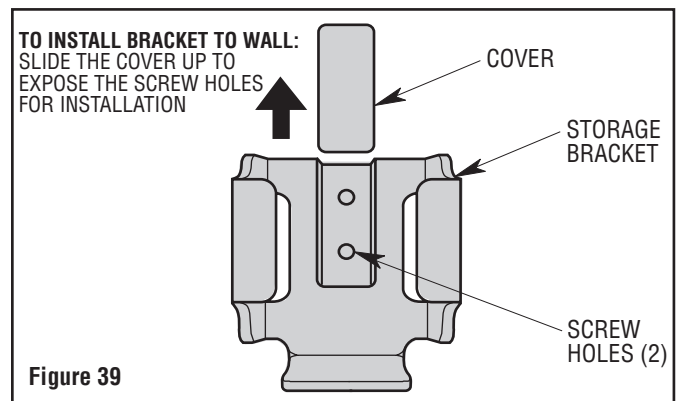


Figure 39

8.10

Install the Two Screws (provided with Bracket) through the Wall Bracket holes and tighten to secure to Wall (Figure 40).

Slide the Wall Bracket Cover back down over the Screws.

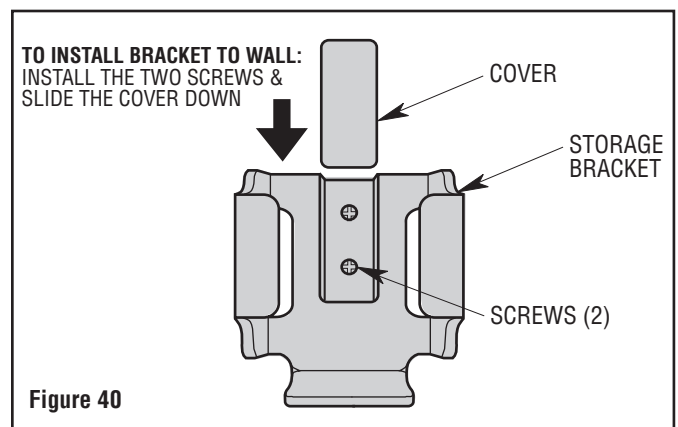


Figure 40

9. Maintenance

IMPORTANT CARE INSTRUCTIONS for your Ceiling Fan

Periodic cleaning of your new ceiling fan is the only maintenance that is needed.

When cleaning, use only a soft brush or lint free cloth to avoid scratching the finish.

Abrasive cleaning agents are not required and should be avoided to prevent damage to finish.

WARNING

Do not use water when cleaning your ceiling fan. It could damage the motor or the blades and create the possibility of an electrical shock.

10. Energy Efficient Use of Ceiling Fans

Ceiling fan performance and energy savings rely heavily on the proper installation and use of the ceiling fan. Here are a few tips to ensure quality and product performance.

Choosing the Appropriate Mounting Location. Ceiling fans should be installed, or mounted, in the middle of the room and at least 7 feet above the floor and 18 inches from the walls. If ceiling height allows, install the fan 8 - 9 feet above the floor for optimal airflow. Consult your Brands Retailer for optional mounting accessories.

Using the Ceiling Fan Year Round. In the summer, use the ceiling fan in the counter-clockwise direction. The airflow produced by the ceiling fan creates a wind-chill effect, making you "feel" cooler. Select a fan speed that provides a comfortable breeze, lower speeds consume less energy. In the winter, reverse the motor and operate the ceiling fan at low speed in the clockwise direction. This produces a gentle updraft, which forces warm air near the ceiling down into the occupied space. Remember to adjust your thermostat when using your ceiling fan - additional energy and dollar savings could be realized with this simple step!

Turn Off When Not in the Room. Ceiling fans cool people, not rooms. If the room is unoccupied, turn off the ceiling fan to save energy.

11. Troubleshooting

⚠ WARNING

FOR YOUR OWN SAFETY TURN OFF POWER AT MAIN FUSE BOX OR CIRCUIT BREAKER PANEL BEFORE TROUBLESHOOTING YOUR FAN.

TROUBLE	PROBABLE CAUSE	SUGGESTED REMEDY
1. Fan will not start.	1. Loose electrical connections in the ceiling cover.	1. Check the electrical connections at the ceiling cover. ⚠ WARNING Make sure main power is turned OFF.
2. Fan sounds noisy.	1. Blades not attached to fan. 2. Screws holding blades to motor are loose.	1. Attach blades to fan before operating. ⚠ WARNING Make sure main power is turned OFF. 2. Tighten screws securely.
3. Fan wobbles excessively.	1. Set screws in motor coupler are loose. 2. Set screw in hanger ball/downrod assembly is loose. 3. Screws securing fan blades to motor are loose. 4. Hanger bracket and/or ceiling outlet box is not securely fastened.	1. Tighten both set screws securely in the motor coupler. 2. Tighten the set screw in the hanger ball/downrod assembly. 3. Check to be sure screws which attach the fan blades to the motor are tight. 4. Tighten the hanger bracket screws to the outlet box, and/or secure outlet box.

INSTRUCTION TO THE USER (if device contains a digital device)

This equipment has been tested and found to comply with the limits for a class B digital device, pursuant to part 15 of the FCC Rules. These limits are designed to provide reasonable protection against harmful interference in a residential installation. This equipment generates, uses and can radiate radio frequency energy and if not installed and used in accordance with the instructions, may cause harmful interference to radio communications. However, there is no guarantee that interference will not occur in a particular installation. If this equipment does cause harmful interference to radio or television reception, which can be determined by turning the equipment off and on, the user is encouraged to try to correct the interference by one or more of the following measures:

- Reorient or relocate the receiving antenna.
- Increase the separation between the equipment and receiver.
- Connect the equipment into an outlet on a circuit different from that to which the receiver is connected.
- Consult the dealer or an experienced radio/TV technician for help.

This equipment has been certified to comply with the limits for a class B computing device, pursuant to FCC Rules. In order to maintain compliance with FCC regulations, shielded cables must be used with this equipment. Operation with non-approved equipment or unshielded cables is likely to result in interference to radio and TV reception. The user is cautioned that changes and modifications made to the equipment without the approval of manufacturer could void the user's authority to operate this equipment.

This Class B digital apparatus meets all requirements of the Canadian Interference-Causing Equipment Regulations.

Parrot  Uncle