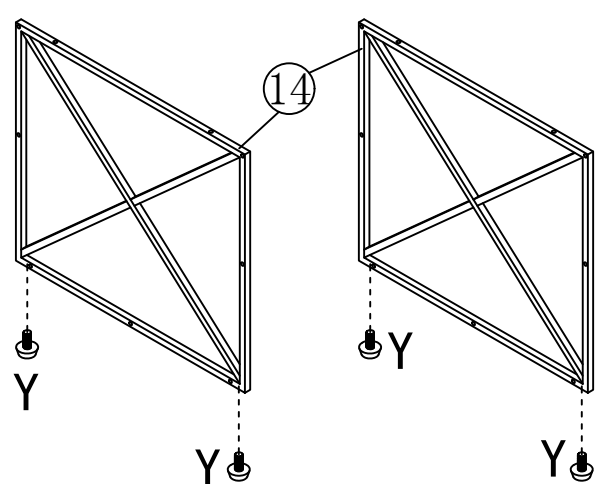

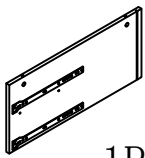
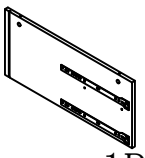
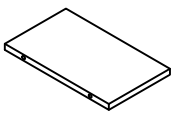


1 1PCS	2 1PCS	3 1PCS	4 1PCS	5 1PCS					
6 1PCS	7 1PCS	8 2PCS	9 2PCS	10 2PCS	11 2PCS	12 2PCS	14 2PCS		
						13 2PCS			
A 16PCS	B M7X50 22PCS	E M6X25 4PCS	G M6X35 4PCS	S M4X18 4PCS	K 2PCS	Y M8X10 4PCS	P M3.5X14 2PCS	X 1PCS	

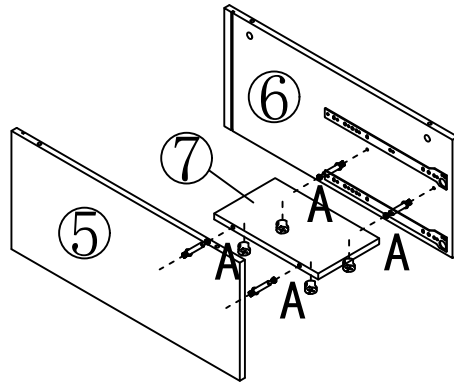
Y 	4PCS
14 	2PCS

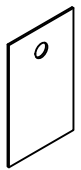
Step1



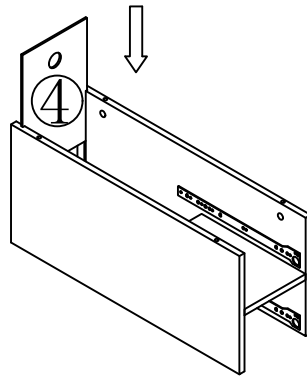
A	 4PCS
5	 1PCS
6	 1PCS
7	 1PCS


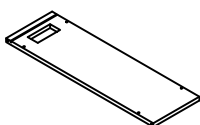
Step2



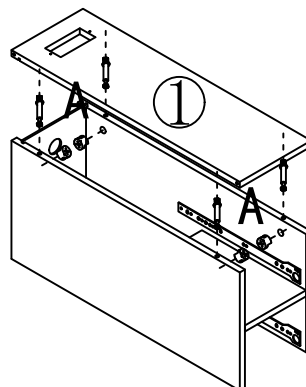
4	 1PCS
---	--



Step3



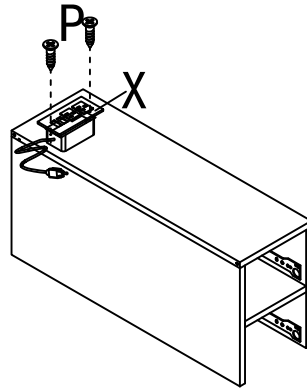
A	 4PCS
1	 1PCS


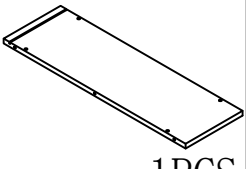
Step4



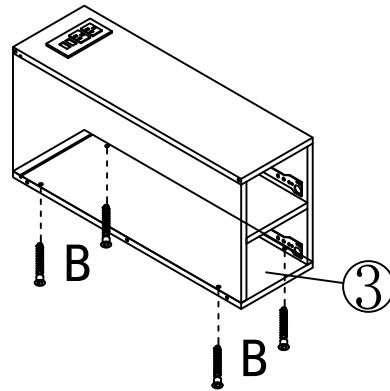
P		2PCS
X		1PCS


Step5



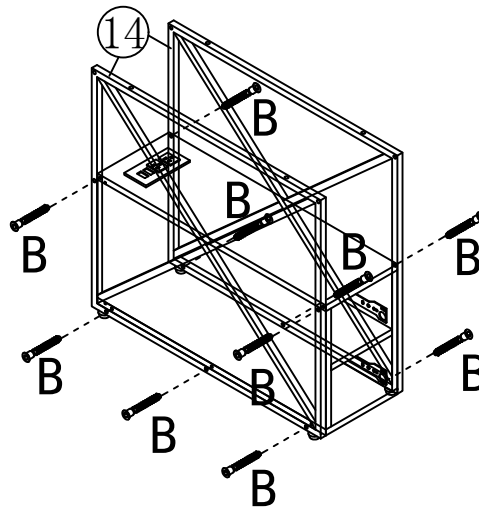
B		4PCS
3		1PCS



Step6



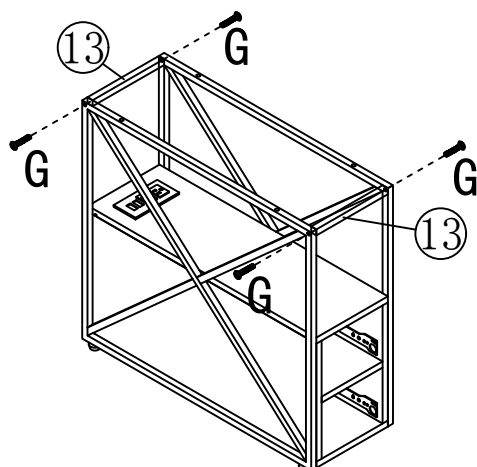
B		10PCS
---	---	-------


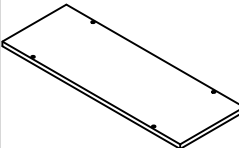
Step7



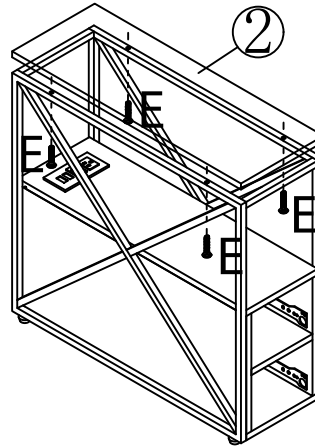
G		4PCS
13		2PCS

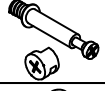
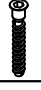

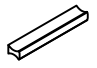
Step8



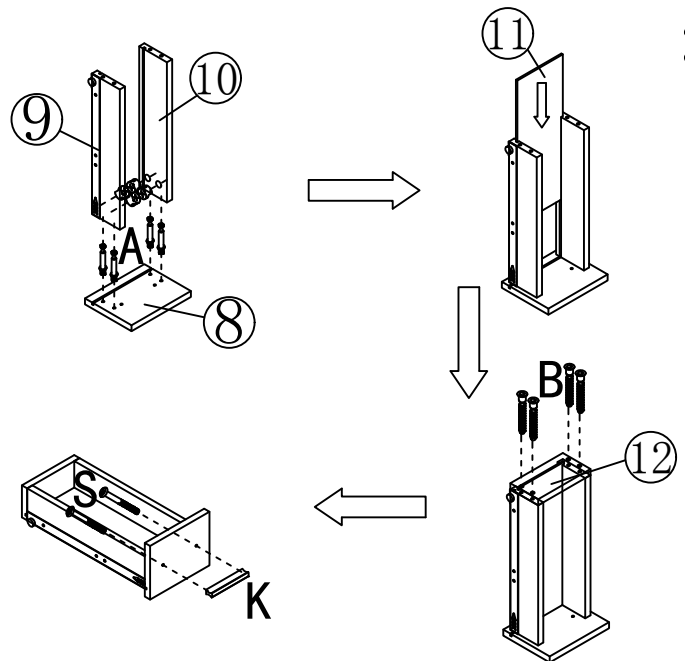
E	 4PCS
2	 1PCS

Step9



A	 8PCS
B	 8PCS
S	 4PCS
K	 2PCS

Step10



*2

Step11

