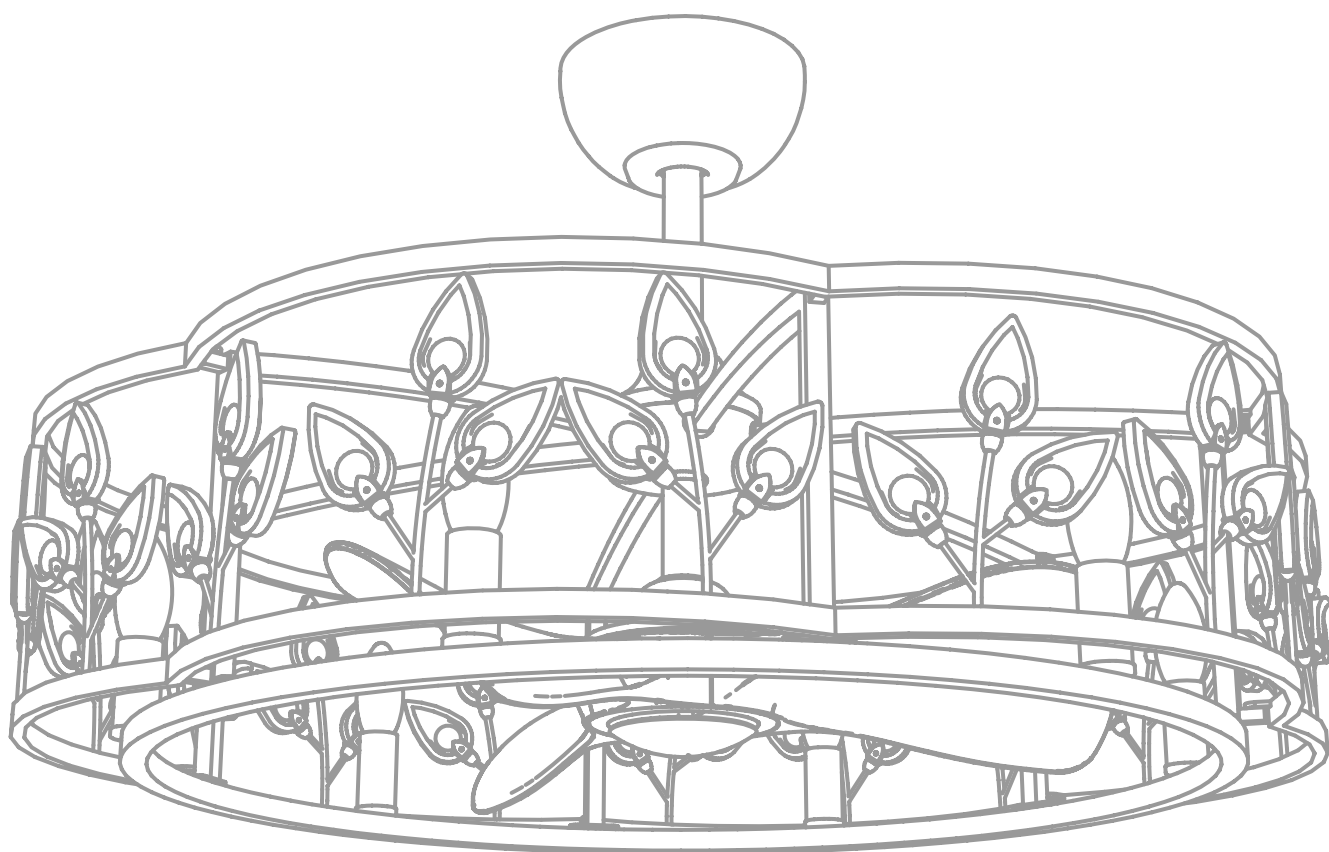

CEILING FAN



USE AND CARE GUIDE

WARNING: SHUT POWER OFF AT FUSE OR CIRCUIT BREAKER

Safety Information

1. To reduce the risk of electric shock, the electricity has been turned off at the circuit breaker or fuse box before begin.
2. All wiring must be in accordance with the National Electrical Code NASI/NFPA 70-1999 and local electrical codes. Electrical installation should be performed by a qualified licensed electrician.
3. The outlet box and support structure must be securely mounted and capable of reliably supporting 35lb. (15.9kg). Use only UL listed outlet boxes marked "Acceptable for Fan Support of 35lbs (15.9kg) or less."
4. The fan must be mounted with a minimum of 7 ft. (2m) clearance from the trailing edge of the blades to the floor.
5. This product contains a lithium button/coin cell battery. If a new or used lithium button/coin cell battery is swallowed or enters the body, it can cause severe internal burns and can lead to death in as little as 2 hours. Always completely secure the battery compartment. If the battery compartment does not close securely, stop using the product, remove the batteries, and keep it away from children. If you think batteries might have been swallowed or placed inside any part of the body, seek immediate medical attention.
6. Do not place objects in the path of the blades.
7. To avoid personal injury or damage to the fan and other items, please be careful when working around or cleaning the fan.
8. Electrical diagrams are for reference only. Light kits that are not packed with the fan must be UL-listed and marked suitable for use with the model fan you are installing. Switches must be UL General Use Switches. Refer to the instructions packaged with the light kits and switches for proper assembly.
9. After making electrical connections, spliced conductors should be turned upward and pushed carefully up into the outlet box. The wires should be spread apart with the grounded conductor and the equipment-grounding conductor on one side of the outlet box.
10. All setscrews must be checked and retightened where necessary before installation.



WARNING: TO reduce the risk of personal injury, do not bend the blade brackets (also referred to as flanges) during assembly or after installation. Do not insert objects in the path of the blades.



WARNING: Remove the rubber motor stops on the bottom of the fan before installing the blades or testing the motor.



WARNING: To reduce the risk of fire or electric shock, do not use this fan with any solid-state speed control device.



WARNING: To avoid possible electric shock, turn the electricity off at the main fuse box before wiring. If you feel you do not have enough electrical wiring knowledge or experience, contact a licensed electrician.



WARNING: Electrical diagrams are for reference only. Optional use of any light kit shall be UL-listed and marked suitable for use with this fan.

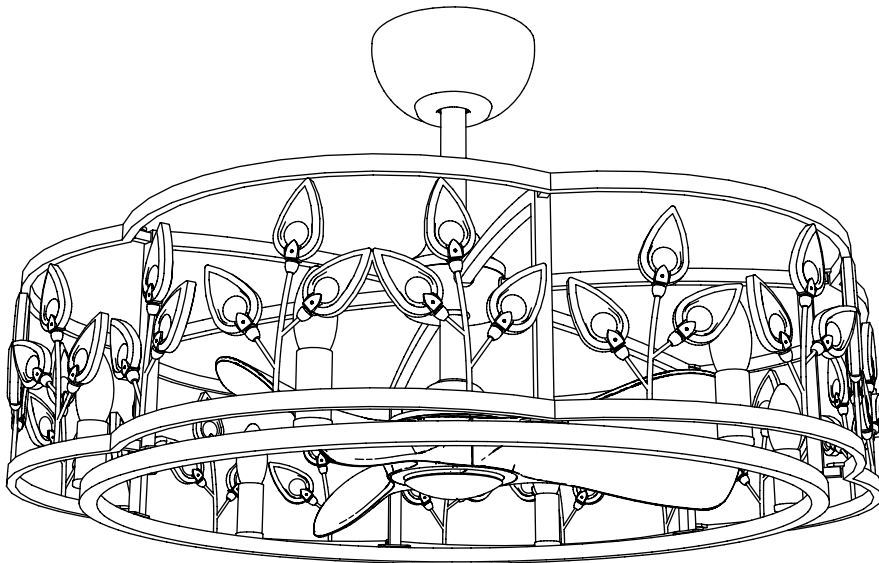


WARNING: To reduce the risk of fire, electric shock, or personal injury, mount to outlet box marked "Acceptable for fan support of 35 lbs. (15.9 kg) or less" and use the screws provided with the outlet box.



WARNING: Chemical Burn Hazard. Keep batteries away from children. The batteries shall be disposed of properly, including keeping them away from children; Even used cells may cause injury.

WARNING: SHUT POWER OFF AT FUSE OR CIRCUIT BREAKER



THANK YOU FOR YOUR PURCHASE

Thank you for purchasing this quality product. To ensure correct function and safety, please read and save all instructions before using the product

SAFETY TIP

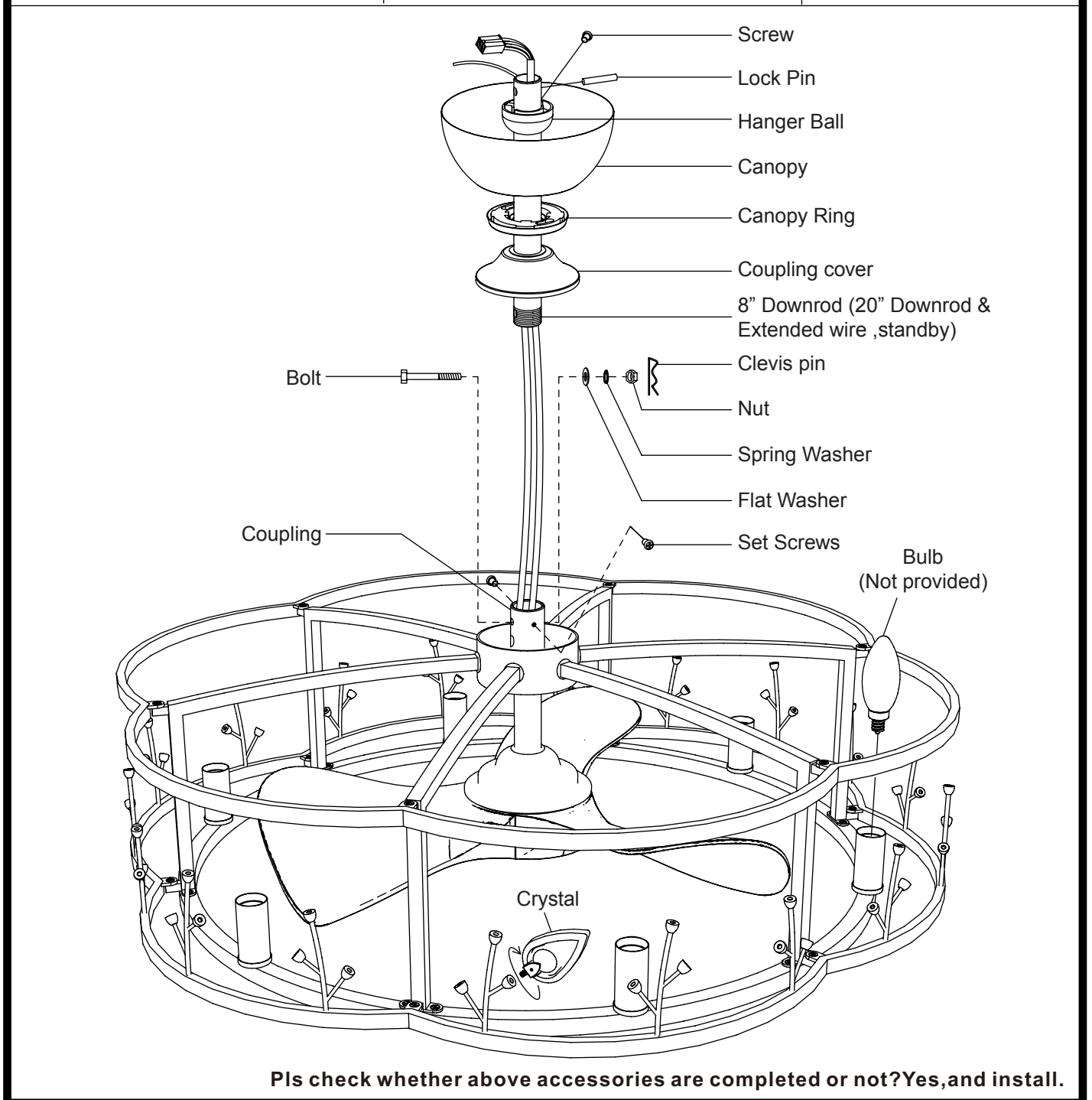
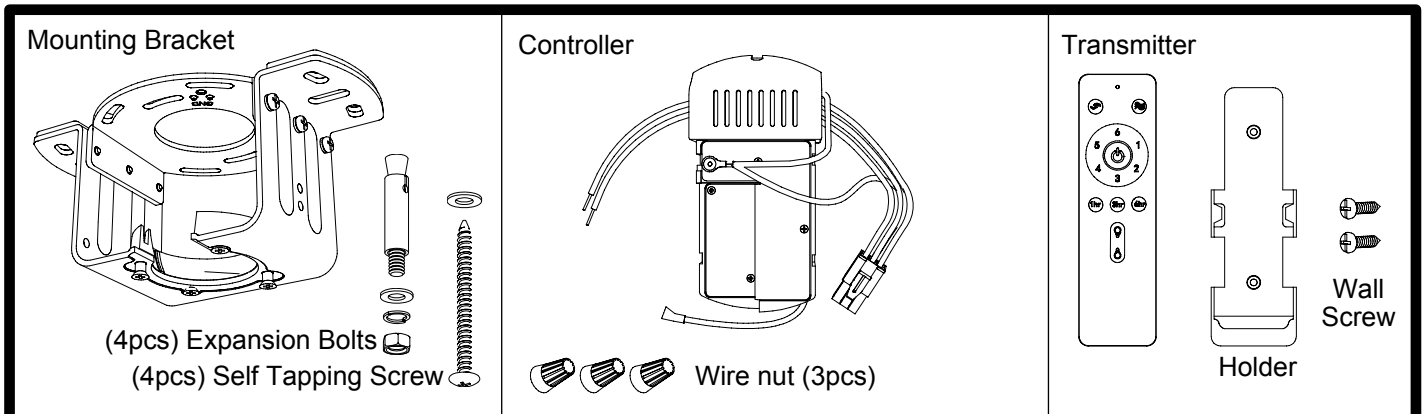
1. To avoid possible electric shock, turn off the electricity at the main fuse box or circuit panel before you begin the fan installation or before servicing the fan or installing accessories.
2. Read all instructions and safety information carefully before installing your fan and save these instructions.
3. Make sure all electrical connections comply with local codes or ordinances and the National Electrical Code. If you are unfamiliar with electric wiring, please use a qualified and licensed electrician.
4. Make sure you have a location selected for your fan that allow clear space for the blades to rotate, and at least seven (7) feet of clearance between the floor and the fan blade tips. The fan should be mounted at least thirty (30) inches from walls or other upright structures.
5. **WARNING:** The outlet box and ceiling support joist used must be securely mounted, and capable of supporting at least 100 pounds. To reduce the risk of fire, electric shock or personal injury, mount to the outlet box marked acceptable for fan supported and use mounting screws provided with the outlet box. The box must be supported directly by the building structure.
6. **WARNING:** To reduce the risk of fire, electric shock or personal injury, mount to outlet box marked "acceptable for fan support" and use mounting screws provided with the outlet box most outlet boxes commonly used for the support of lighting fixtures are not acceptable for fan support and may need to be replaced. Consult a qualified electrician if in doubt.
7. Electrical diagrams are for reference only. Light kits that are not packed with the fan must UL listed and marked suitable for use with the model fan you are installing. Switches must be UL general use switches. Refer to the instructions packaged with the light kits and switches for proper assembly.
8. After installation is complete, check that all connections are absolutely secure.
9. After making electrical connections, spliced conductors should be turned upward and pushed carefully up into outlet box. The wires should be spread apart with the grounded conductor and the equipment-grounding conductor on one side of the outlet box.
10. **WARNING:** To reduce the risk of electrical shock and fire, do not use this fan with any solid-state fan speed control device, or rheostat.
11. Do not separate the reverse switch until the fan has come to a complete stop.
12. Do not insert anything into the fan blades while they are rotating.
13. **WARNING:** To reduce the risk of personal injury, do not bend the blade brackets (also referred to as "flanges") during assembly or after installation. Do not insert objects in the path of the blades.
14. To avoid personal injury or damage to the fan and other items, be cautious when working around or cleaning the fan.
15. Do not use water or detergent when cleaning the fan or fan blades. A dry dust cloth or lightly dampened cloth will be suitable for most cleaning.

NOTE: The important safety precautions and instructions appearing in the manual are not meant to cover all possible conditions and situations that may occur. It must be understood that common sense and caution are necessary factors in the installation and operation of this fan.

NOTE: This product is not intended for use by persons (including children) with reduced physical, sensory or mental capabilities are different or are impaired, or lack of experience or knowledge, unless such persons are supervised or trained to operate the appliance by a person responsible for their safety.

NOTE: Children should be supervised to ensure that they do not use appliances as a toy.

WARNING: SHUT POWER OFF AT FUSE OR CIRCUIT BREAKER



Pls check whether above accessories are completed or not?Yes,and install.

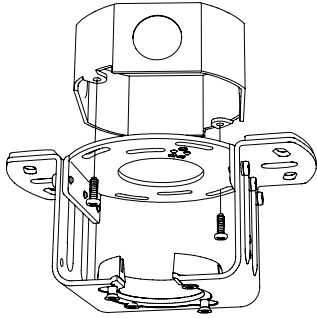
WARNING: SHUT POWER OFF AT FUSE OR CIRCUIT BREAKER

1. Install Mounting Bracket

IMPORTANT : Screws & nuts must be tightened till snug.

WARNING: To reduce the risk of fire, electric shock or personal injury, mount to an outlet box marked "Acceptable for fan support of 15.9 kg (35 lbs) or less" and use the mounting screws provided with the outlet box and/or support directly from building structure.

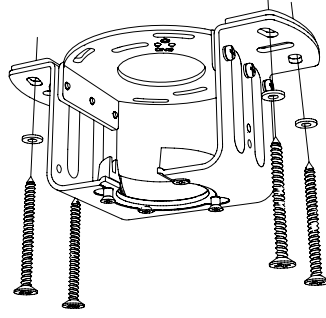
OUTLET BOX



Install the mounting bracket onto Outlet Box with Mounting Screws.

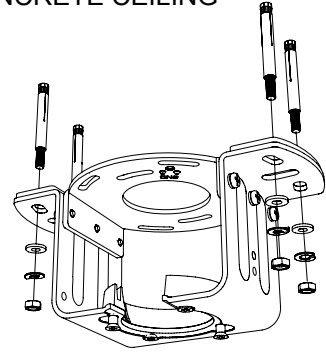
NOTE: The mounting bracket is designed to slide into place on an outlet box with the outlet box screws.

WOODEN CEILING



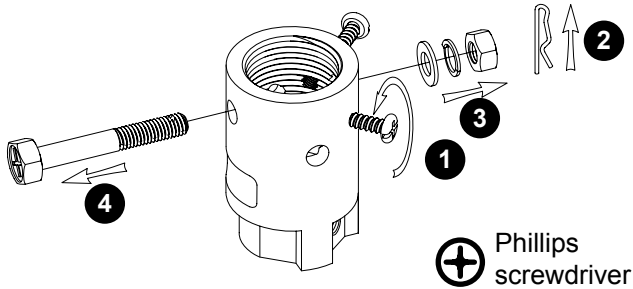
Use the Mounting Bracket as a guide, drill 4 holes for 3MM diameter, install the mounting bracket onto wooden ceiling with the 4 Self Tapping Screws & Washers.

CONCRETE CEILING

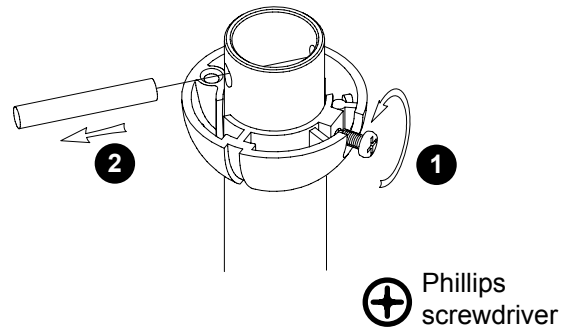


Use the Mounting Bracket as a guide, drill 4 holes and insert 4 Expansion Bolts into the concrete ceiling, install the mounting bracket and secure with Flat Washers, Spring Washers and Nuts.

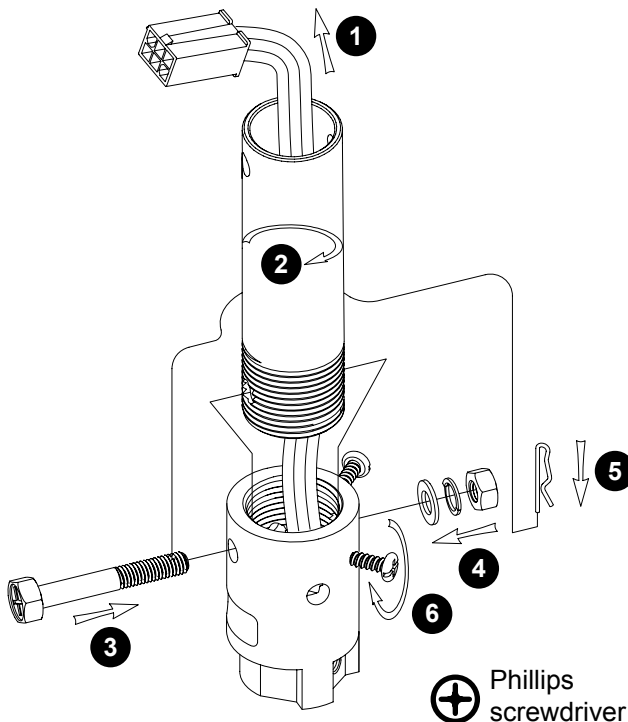
2.



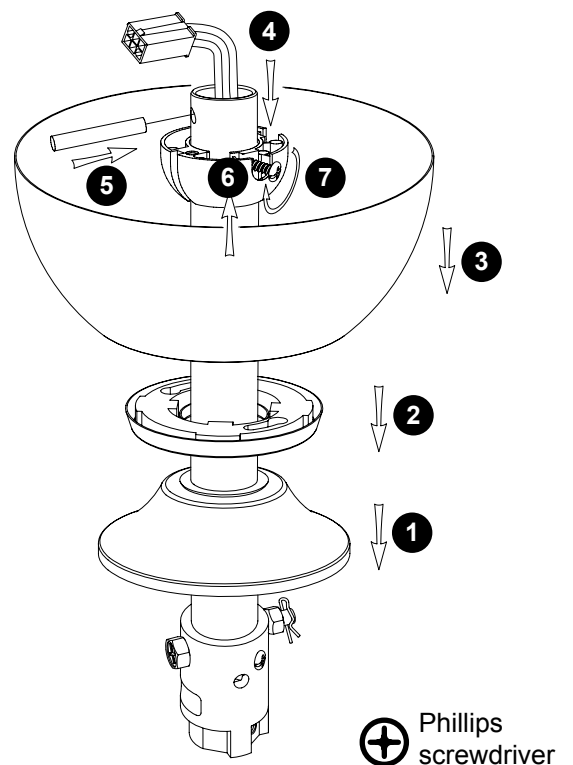
3.



4.

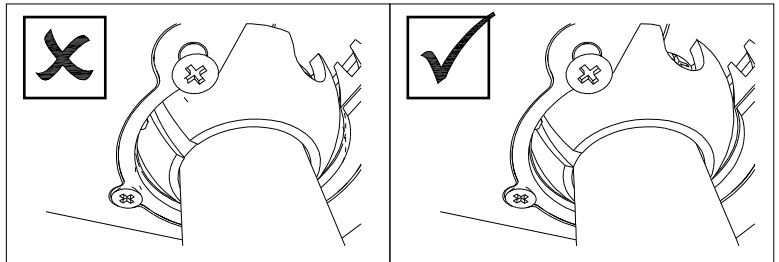
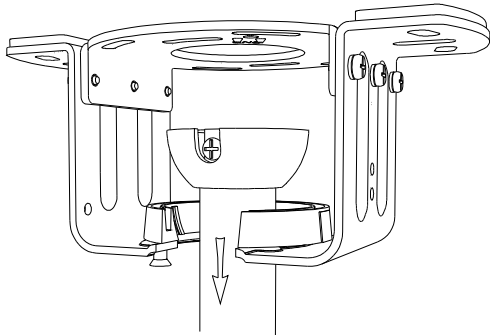


5.



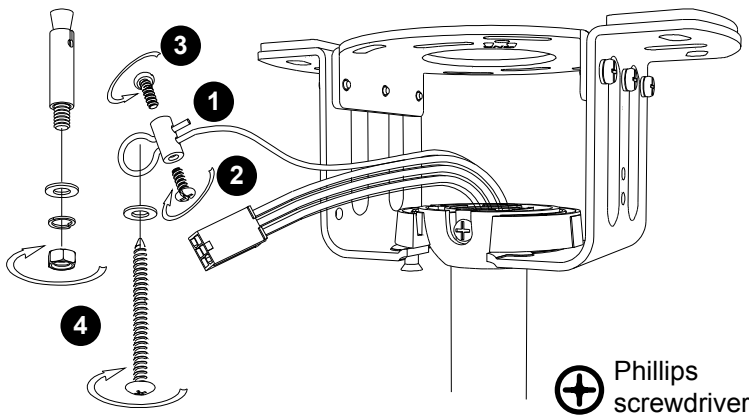
WARNING: SHUT POWER OFF AT FUSE OR CIRCUIT BREAKER

6.

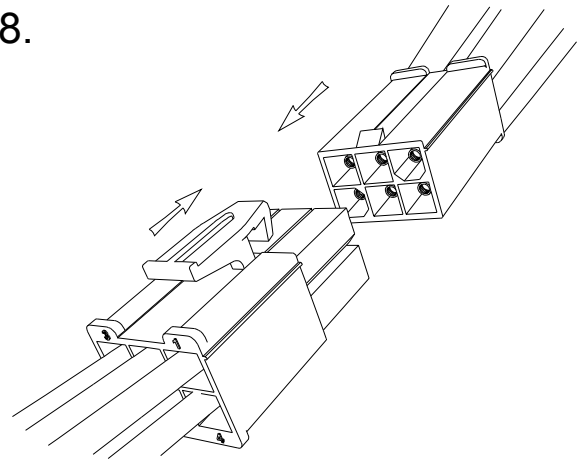


⚠ IMPORTANT : THE DOWNROD AND HANGER BALL SHOULD NOT ROTATE IF THIS STEP IS DONE CORRECTLY.

7.

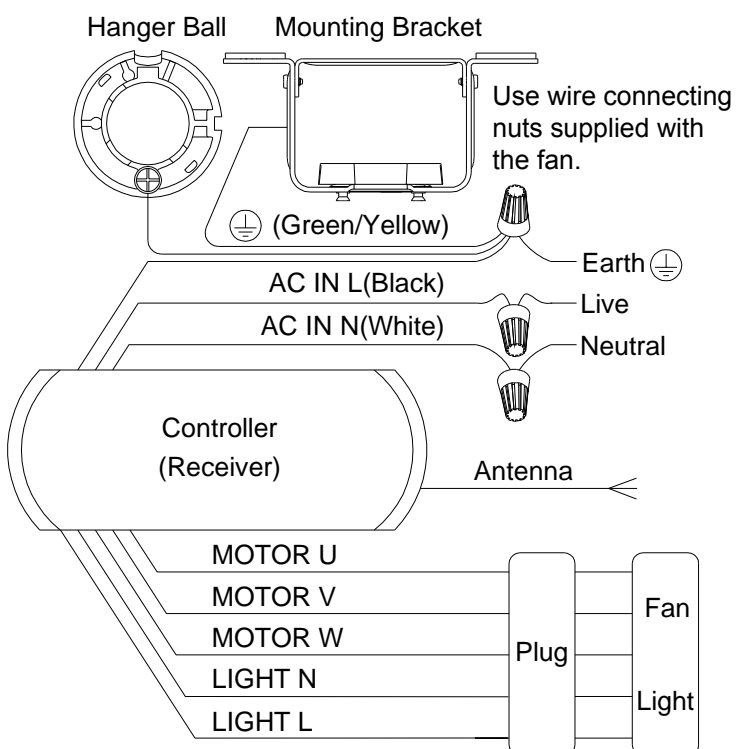


8.

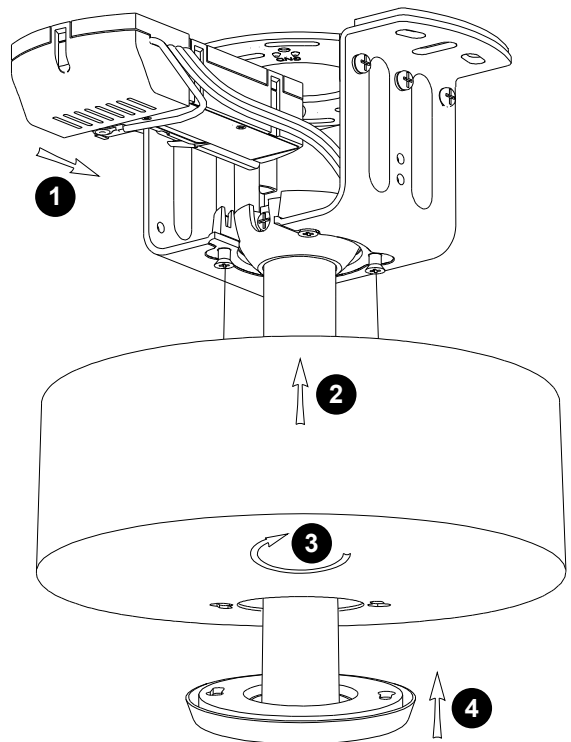


9.

**FROM POWER SOURCE
AC 110-120VOLT 60Hz 3.5AMPS.**

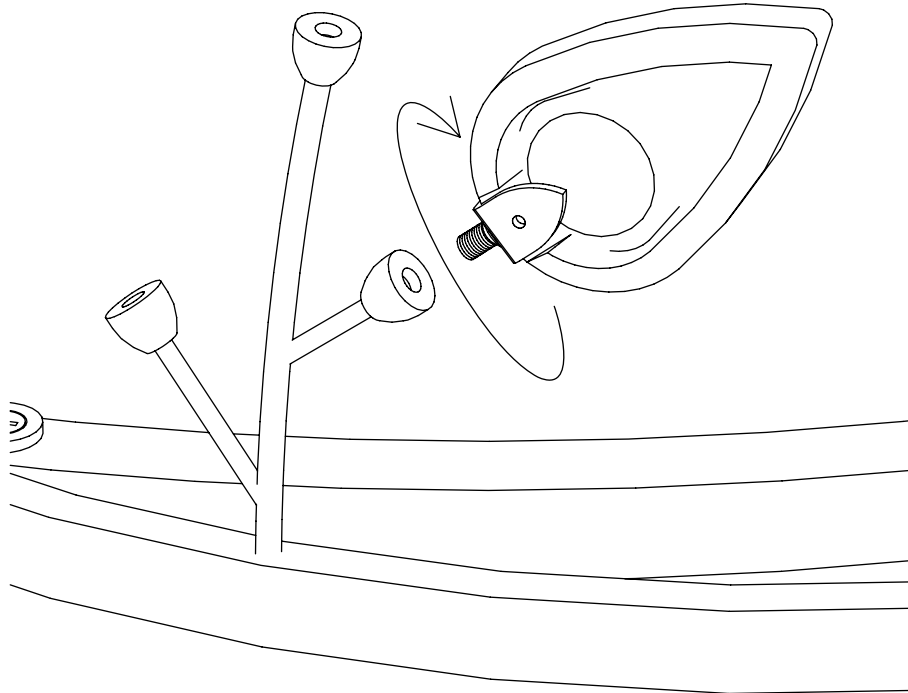


10.



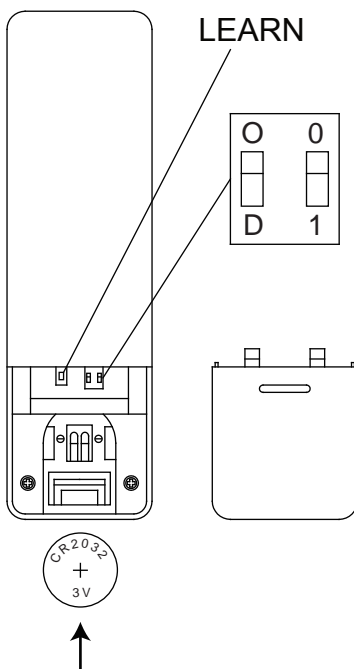
WARNING: SHUT POWER OFF AT FUSE OR CIRCUIT BREAKER

11.



Finish

TRANSMITTER SETTING



To use factory pre-programmed setting - Skip the below programming steps. Insert battery into transmitter, turn on the power supply to fan and it is ready to use.

Read all the steps BEFORE proceeding. Each step must be followed exactly in order to program the transmitter.

FIRST ONE USE INSTRUCTION

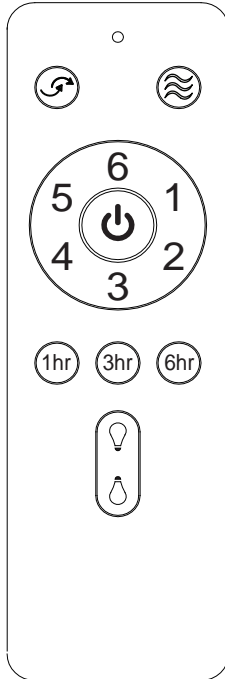
- 1) Dial up to position "O", it is on/off only for the lighting, and it is the brightest of the light.
- 2) Dial down to position "D", the brightness of the light can be control low or high. (*This function requires adjustable brightness product support).

SECOND ONE USE INSTRUCTION

- 1) If you have more than 1 unit of this fan model in close proximity, it is equipped self-learning, please don't press any key when self-learning.
- 2) To set the second one down to the position of "1" (set to "0" position on one product when used directly).
- 3) Turn on the power of the light fan.
- 4) Within 30 sec after the "Beep", press and hold the LEARN button for 3 sec. Once the receiver has detected and learned the frequency, the receiver will "Beep" twice, meanwhile the light will bright out twice. Programming/self-learning process is completed and fan is ready to use.

WARNING: SHUT POWER OFF AT FUSE OR CIRCUIT BREAKER

TRANSMITTER FUNCTION



FAN SPEED



Fan speed 1 – 6 control (1-low speed, 6-high speed)



Turns off the fan

Timing the fan



Auto off after 1 hr



Auto off after 3 hr



Auto off after 6 hr



Cancel timing setup



Forward or reverse operation: change fan rotating direction.

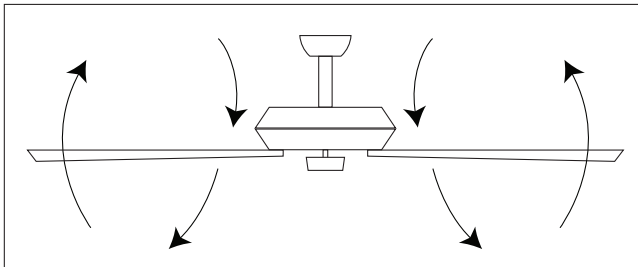


Natural Wind: Press the button to change fan rotating direction. Fan speed changes within its range creating gentle natural wind effect.



Lamp on-off control

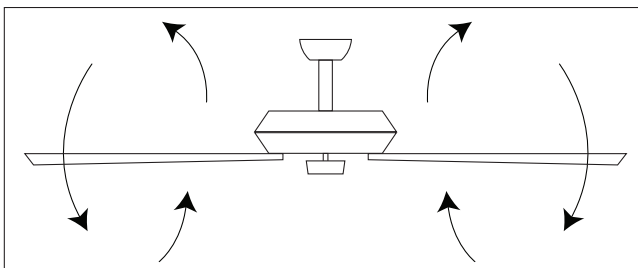
When the first one dial down to the position of "D" and the light is on, long press the button adjustable light, dimmer in the process, when the light bulbs reach to most bright and dark, have a "Beep" sound tip respectively. (*This function requires adjustable brightness product support).



Forward

Fan rotates anti-clockwise creating a downward airflow delivering a cooling effect.

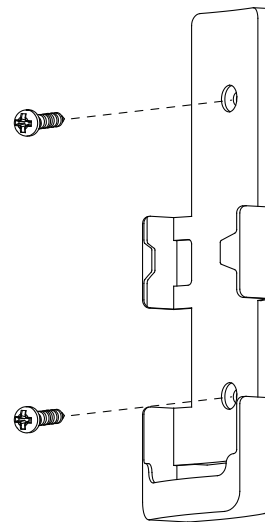
Suitable for hot weather condition or air-conditioned condition.



Reverse

Fan rotates clockwise creating an upward airflow moving warm air off the ceiling areas. This function works best at lower fan speed.

Suitable for cold weather or air-conditioned condition.



Installing Transmitter Holder

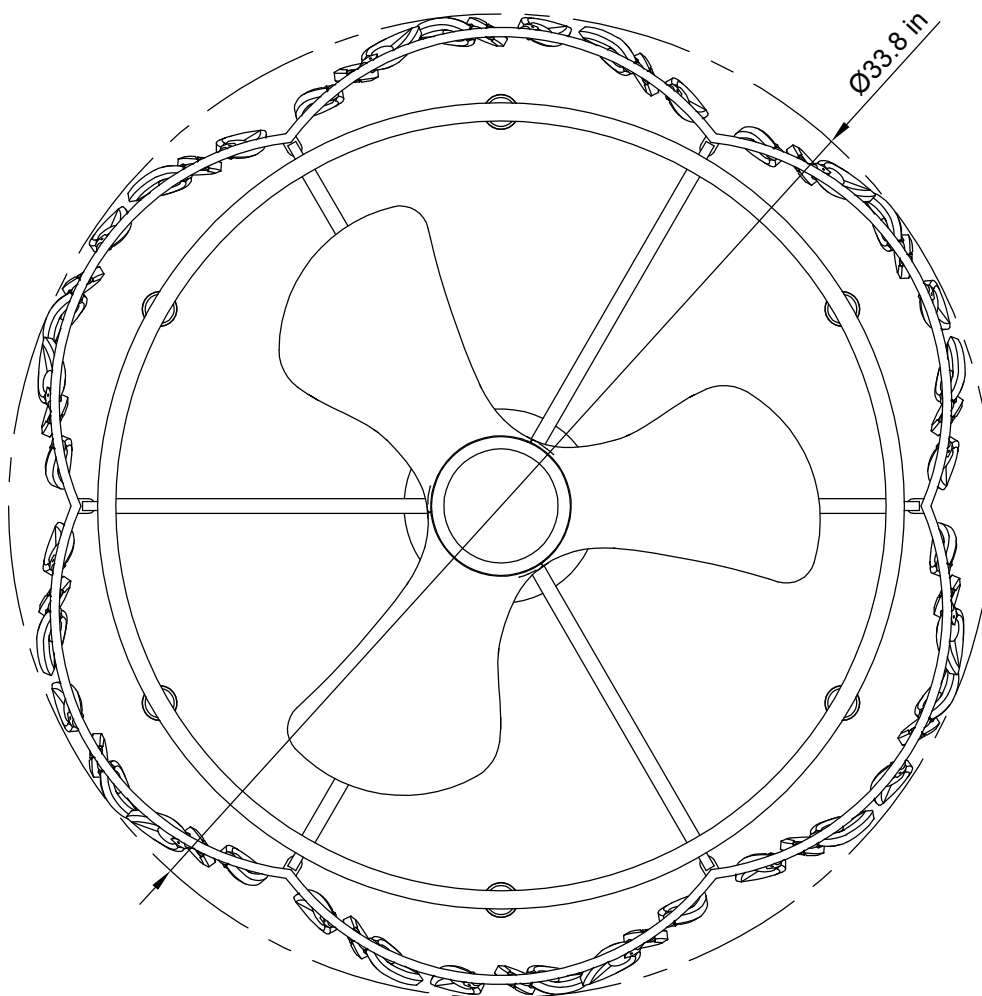
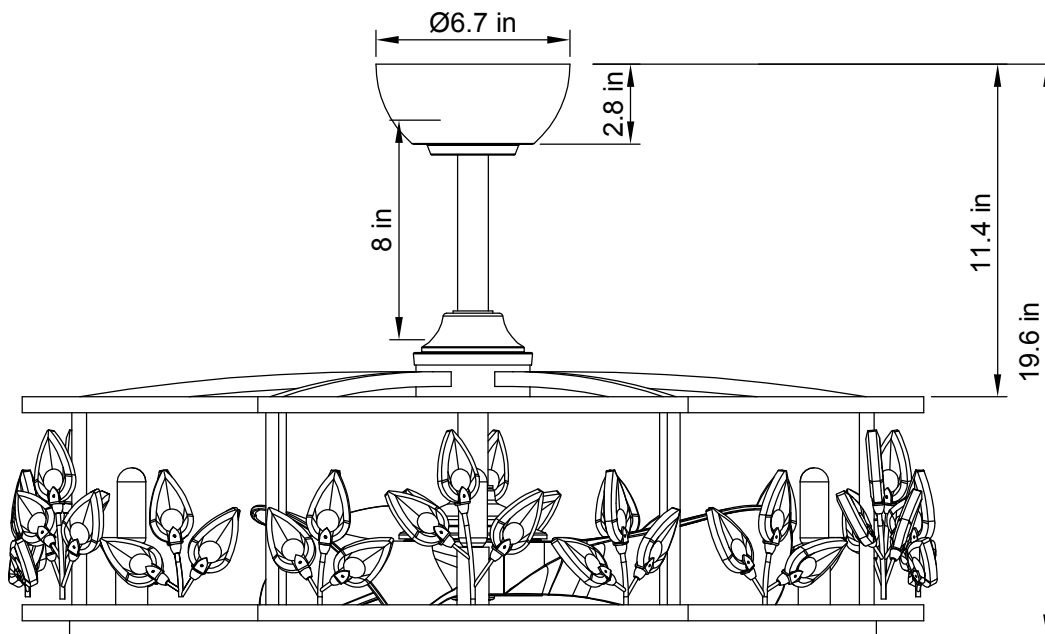
Install the transmitter holder to the wall or any flat surface with the two mounting screw provided.

ATTENTION

- 1) If the fan is not responding to the transmitter. Turn off the power supply to fan for 30 sec and then restore power & reset the transmitter.
- 2) If long time not to use the transmitter, please take the battery out.

WARNING: SHUT POWER OFF AT FUSE OR CIRCUIT BREAKER

SIZE OF PRODUCT



TROUBLESHOOTING GUIDE

Table of Contents

1. Fan/ Transmitter is not working
2. Fan is noisy
3. Light is not working
4. Fan Wobbles

Please refer to the instruction sheet for detailed directions and descriptions of installation steps and requirements.

1. FAN/ TRANSMITTER IS NOT WORKING

Ensure the transmitter is within the 20 foot range of the receiver

Refer to the TRANSMITTER SETTING instructions to set the transmitter

Check batteries to insure they are good and oriented correctly. The indicator should light up when the button is pressed.

Check the main and branch circuit fuses or breakers

Check the line wire connections to the fan and the switch wire connections in the switch housing per the instructions

If fan still does not work, please contact Customer Service Support@parrotuncle.com

2. THE FAN IS NOISY

Make sure all motor housing screws are tightened

Make sure the screws that attach fan blade to motor are tight

Make sure the wire nut connectors are not rattling against each other or the interior wall of the switch housing

Allow 24-hour break in period. Most noises associated with the new fan may disappear during this time

If using a ceiling light kit, make sure the glassware is secured tightly

Make sure there is a short distance/gap from the ceiling to the top of the canopy. The canopy should not touch the ceiling!

Make sure your ceiling box is secure and that the rubber isolator pads are used between the mounting bracket and outlet box.

3. LIGHT IS NOT WORKING

Check Bulb to make sure it is installed correctly

Remove non-working bulb and replace with a bulb that is known to be a good working bulb

TROUBLESHOOTING GUIDE

4. THE FAN WOBBLES

Verify all blades and blade bracket screws are secure (most fan wobble problems are caused by loose parts). Once fan is properly installed, run the ceiling fan for 10 minutes to let the fan self-adjust.

If wobble occurs after running the fan for 10 minutes, verify blade level using the following process:

a) Select a point on the ceiling above the tip of one of the blades. Then select the fan blade and measure from the center of the selected blade to point on the ceiling. Rotate the fan until the next blade is positioned and repeat the measurement using the same point from the ceiling for every blade. Measurements should be within 1/8 inch.

b) If all deviation are less than 1/8 inch and the fan continues to wobble, please contact Customer Service Support@parrotuncle.com to order a complimentary Blade Balancing Kit.

- If all deviations are less than 1/8 inch and the fan continues to wobble, please contact Customer Service Support@parrotuncle.com to order a complimentary Blade Balancing Kit.

MAINTENANCE

Due to the fan's natural movement, connections may get loose after a period of usage. To ensure a proper and safety usage, inspect the suspension system and tighten all connections every 6 months.

Cleaning

Cleaning your fan periodically will prolong its useful life. Basic cleaning procedures are as follows:

1. Please shut off the power before you clean the light fan and replace the bulbs.
2. The bulbs and nearby parts will be still hot after the power is shut off. To avoid burn, please clean them after they are cooled down.
3. Don't use sandpaper, wire brush and other sharp tools to clean the light fan.
4. Don't clean the light fan by using detergents, acid or alkaline solvents.
5. Use only soft or lint-free cloth to clean the light fan.
6. Please dry the light fan by cold-blast air after cleaning, in order to prevent dangerous leakage caused by water infiltrated into electriferous parts of the light fan or prevent rust of wet metal parts.
7. There is no need to oil the fan.

Parrot  Uncle