



iScooter

iX5





Customer Service

Our friendly customer service team will work hard to put a smile back on your face. Here's how we can connect:

 Lifetime technical support

 www.iscooterglobal.co.uk

 www.facebook.com/iScooterOfficial

 support@iscooterglobal.co.uk

Thank you so much for your support.

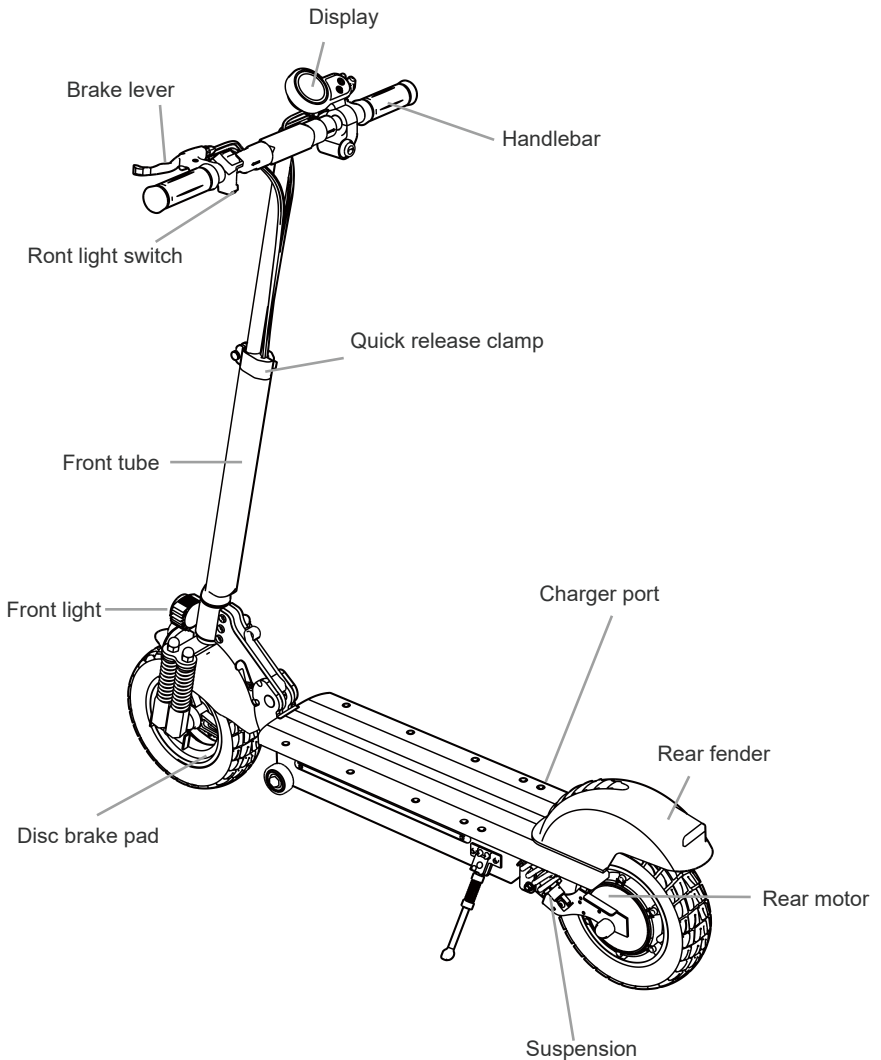
Table of Contents(EN)

Scooter display	01
Name of major parts	02
Safety instructions	03
Product introduction	04
Unfolding steps	04
Folding steps	06
Basic operations	08
Display	08
Brake	09
Riding operations	09
Start	09
Riding	09
Stop riding	09
Battery and charger	10
Maintenance	11
Lubrication	11
Tire	11
Brake	11
General troubleshooting	11
Parameters	12
Warranty	13

Scooter display



Name of major parts



SAFETY INSTRUCTION

- 1.This product is suitable for adults and no passengers are allowed.
- 2.Please wear a helmet and other protective equipment when you are riding.
- 3.Please ride on the road safely and legally.
- 4.Practice before riding.
- 5.Be careful and safe; both hands and feet should be kept on the scooter.
- 6.Don't turn off the power when you are riding.
- 7.Please try to avoid riding over 3cm steps, which may hurt your body and break the scooter.
- 8.Ride slowly when the road condition is not good.
- 9.Please adjust to a proper height to ensure safety.
- 10.Please do not ride on slippery roads.
- 11.Please do not use the product when the temperature is under -10 C .
- 12.Do not immerse the product into water which is deeper than 3cm to avoid damaging the electrical parts.
- 13.Please ride in good weather.
- 14.Please charge every 20 days if the product is not used for a long time.

Product introduction

Unfolding steps

Step 1: Press the folding lever to unfold the scooter.



Step 2: Lock the folding lever.



Step 3: Expand the handlebar upward and keep it straight.



Step 4: Adjust the handlebar to the suitable height and then tighten the quick release clamp.

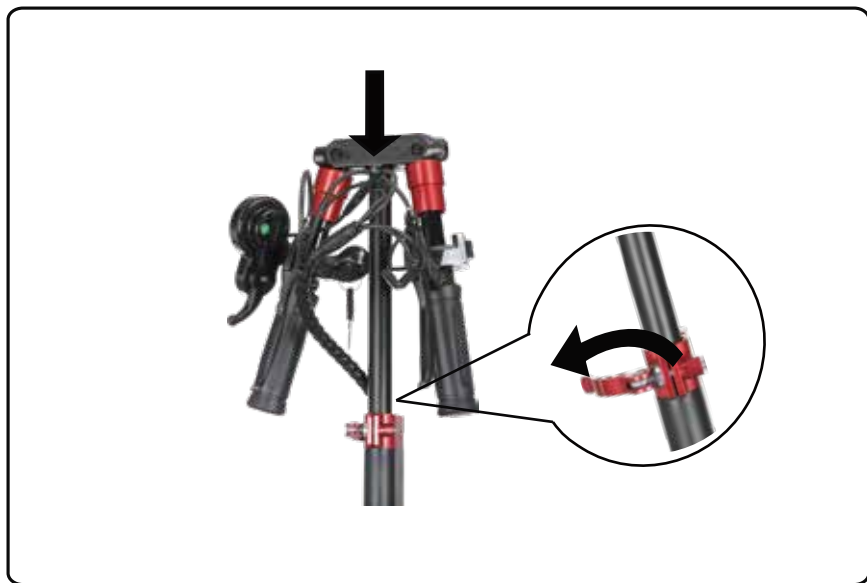


Folding steps

Step 1: Pull the sleeves out and fold down the handlebar.



Step 2: Release the quick release clamp on the front tube. Press down the handlebar to the bottom.



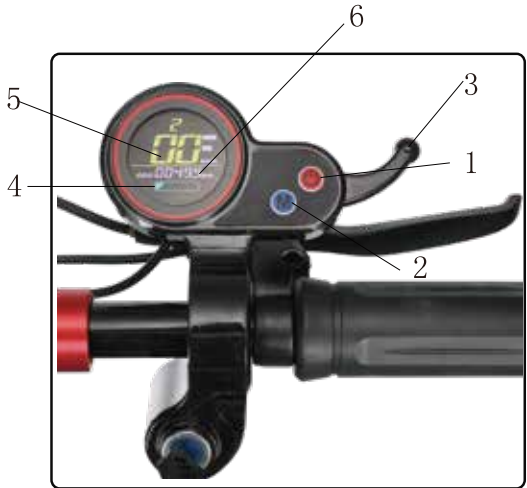
Step 3: Pull out the folding lever and pull the folding clamp to fold down the front tube.




Basic operations

Display Picture:

1. Power switch
2. Mode switch
3. Trigger throttle
4. Battery level
5. Speedometer
6. Odometer



1. Power switch

1.1 In power off status, press the  button for 3 seconds to turn on the scooter. It will automatically turn off the power if there is no operation in 5 minutes.

1.2 In power on status, press the  button for 3 seconds to turn off the scooter.

2. In power on status, press the MODE button to choose from three modes in which mode 3 is the fastest.

3. Other functions

3.1. Error code

When power on, if abnormal occurs, error code will be showed on the display. Please ask distributor for help.

3.2. If the battery indicator flashes, please charge your scooter.

Brake


Please avoid emergency brake which will break the tires and cause slip.

Riding operation

Start

- 1.Practice outside and choose good road condition.
- 2.Open the scooter according to the user manual.
- 3.Adjust the handlebar to the height that fits you.
- 4.Open the seat and adjust it to a suitable height.
- 5.Lock the quick release clamp.

Riding

- 1.Press  for 3 seconds. Check the mode before riding.
- 2.Push your scooter forward and pull the trigger throttle slowly at the same time, and the scooter will start going forward.
- 3.Please set the riding mode. Speed can be controlled by the throttle.
- 4.Please release the throttle or squeeze the brake lever to slow down if necessary.

Stop riding

Slow down, squeeze the brake lever lightly, put one of your feet on the ground after your scooter stops.

Notice:

Please do not ride the scooter on rainy days or in freezing weather, or else it will cause danger.

BATTERY AND CHARGER

Each scooter has its own battery and charger. Each part has different serial numbers. Please do not charge the scooter with chargers of other brands.

Battery

Please charge your scooter after you receive this scooter. It is better to fully charge your scooter before first ride.

Please charge your scooter at least 1 month a time. It will damage the battery if it is not charged for a long time. Please contact the distributor if the battery can't be charged.

The warranty is invalid if the battery gets deformed or water ingress.

Charger

When the battery is fully charged, the charger will stop charging.

The warranty is invalid if the charger gets deformed or water ingress.

Charging operation

1. Open the charging port cover, insert the DC connector of the charger into the charging port and the AC plug into a wall outlet.

2. A red indicator light means in charging and a green indicator light means full charge.

3. Please charge your scooter in a cool, dry, and well-ventilated area.

Maintenance

Lubrication

Add some lubricant on the folding part of the handlebar every 6 months to keep the handlebar working smoothly.

Note: Do not add WD-40 lubes on the scooter. Do not add any lubricant on the front or rear wheel.

Tire

Both front and rear tires are pneumatic tires, if they are damaged obviously, please contact the distributor to replace them.

Please check your scooter every 3 months and make sure the screws are tight enough.

Brake

This scooter is equipped with front and rear disc brakes. If the braking performance is not good enough, please contact the distributor to replace the brake pads.

The battery can be charged circularly at least 600 times. If the range reduces greatly when full charged, please contact the distributor to replace it with a new battery.

Please keep your scooter clean, and put your scooter in dry, cool, and well-ventilated areas.

General troubleshooting

Please try to solve the problem by yourself if the following occur: The scooter won't work in power on state,

- a. Check if the battery level is low.
- b. Check if the brake lever is in open position. If not, pull up the lever and then release it.
- c. Check if all the plugs are connected well.

If you have tried all the solutions, and the scooter still won't work, please contact the distributor.

Parameters

SPECIFICATION	Unfolding size	118*60*123cm
	Folding size	118*20*50cm
	N.W.	27.29kg
	Maximum load	150kg
PERFORMANCE	Maximum speed	25KM/h
	Climbing ability	15-25°
	Rated voltage	48V
	Distance	40-45KM
BATTERY	Capacity	15AH
	Type	Lithium battery
MOTOR	Motor type	Brushless DC motor
	Rated power output	9.5 N.m
	Maximum speed	1300rpm
	Power	1000W
	Rated voltage	48V
CHARGER	Output	2A
	Charging time	5-8h
TIRE	Tire size	10 inch
	Tire type	Pneumatic tire
BRAKE	Brake	Front electronic brake + front and rear disc brakes

WARRANTY

Any of the parts in the following sheet occurs failure in normal use, please contact us, we will provide complete after-sale service.

Parts	Quality description	Warranty period	service
Motor	Failure occurs in normal use	2 year	Free of charge
Controller	Failure occurs in normal use	6 months	Free of charge
Charger	Failure occurs in normal use	2 year	Free of charge
Battery	Failure occurs in normal use	6 months	Free of charge
Display	Failure occurs in normal use	6 months	Free of charge
Frame	Failure occurs in normal use	1 year	Free of charge

Notice: Please use the scooter in the correct way.

The warranty is invalid if failure occurs in abnormal use.

Warranty becomes invalid if the followings occur:

- 1.Haven't maintained according to this manual.
- 2.Broken parts caused by dangerous actions.
- 3.Disassembling and assembling by users or use of parts of other brands. Broken parts resulting from traffic accidents or impact from external force by users.
- 4.Water ingress and lost serial number.
- 5.Broken parts caused by riding on very bad roads.
- 6.Rental scooter's broken parts caused by force majeure.