



ILLUSTRATED SPARE PARTS LIST
FOR
WALKING FOOT

| WF 1 | WF 2 |
|---------------|---------------|
| VG2700 | VG2713 |
| VC2600 | VC2613 |
| VC2700 | VC2713 |
| VC3611 | |
| VE2711 | VE2713 |
| | VS2613 |
| | VS2713 |
| VF2400 | |
| VF2500 | |

1. Effect of Walking Foot

This Foot is effective in preventing a sewing slippage of both the top and bottom plies when hemming bottom. Also, the fabrics can be fed more smoothly even at a high running speed (5500 r.p.m. or more).

Difference from VC2700

| | part name | VC2700 | WF1, WF2 | difference |
|---|----------------------------|----------------------|----------|------------------------------------|
| 1 | Walking Foot Spring | #65372 changed | #3200132 | shorter |
| 2 | Presser Bar | #3100110 changed | #93480 | no surface to install Finger Guard |
| 3 | Presser Bar Spring (Inner) | #60142 not necessary | — | not used |
| 4 | Presser Bar Stop | — added | #3101315 | newly established |
| 5 | Screw | — added | #4440 | |
| 6 | Washer | — added | #554 | |

2. Installation

The right Fig. I shows the condition when Head Cover and Top Cover are removed.

- (1) Remove Presser Spring Regulator① and Presser Bar Spring(Outer)②.
- (2) Remove Presser Spring(Inner)
- (3) Pass Oil Protector Ring③ through Presser Bar④.
- (4) Position Presser Bar Connecting Bracket⑤ 2.7 mm below the top of Presser Bar② and tighten Screw⑥.

Note: For VF2400 or 2500, wake it 9.2mm below.

- (5) Fix Presser Bar Stopper⑦ at the side of Presser Bar Guide with Screw⑧ so that the tapped hole in the Guide is located in the middle of the slot in the Stopper⑦.

- (6) Notes: (1) The distance from the bottom of Washer to Hinge Pin must be 9.7 mm.
(2) Before installing Walking Foot, Complete Set (Fig. II), check that the height of Walking Foot Spring⑦ is about 20 mm.

- (7) Install Walking Foot, Complete Set (Fig. II) to Presser Bar④.
- (8) Install Presser Spring Regulator① and tighten it so that the distance from the top of Machine Frame to that of the Regulator① is 33 mm as shown in the Fig. I.

Note: For VF2400 or 2500, wake it 9.2mm below.

- (9) Check that when Main and Differential Feed Dogs are below the top of Stitch Plate, the bottom of the Foot touches to Stitch Plate.
- (10) And then, turn Handwheel by hand to raise the Needles to the top.
- (11) and put two-ply fabrics under the Foot.
- (12) Further turn Handwheel clockwise by hand and loosen Screw⑧ to adjust the height of the Stopper⑦ so that the middle(a) of the line on the right of needle drop hole on the Foot is aligned with the center of Needle.
- (13) Turn Handwheel clockwise by hand to check that only the bottom of the Foot moves up and down simultaneous with the movement of Feed Dogs.
If it does not, check (6)·(7)·(8) again.

- (14) Connect Presser Foot Lifter (Lifter Link) to Presser Bar Connecting Bracket (5) and Lifter Shaft (Lifter Link Lever).
And then, return other parts to the original places.

Note: Adjust the point of Presser Lifter Lever once again.

- (15) Turn Handwheel clockwise by hand to lower the Needles to the bottom.
(16) Turn Adjusting Screw (10) to adjust so that the bottom of the Foot moves rearward by 1 mm (the line (b) of the operator side of the line is aligned with the Needles) when the Foot is raised.
To move forward (operator side), turn the Screw (10) clockwise.
To move rearward, turn the Screw (10) counterclockwise.

Fig. I

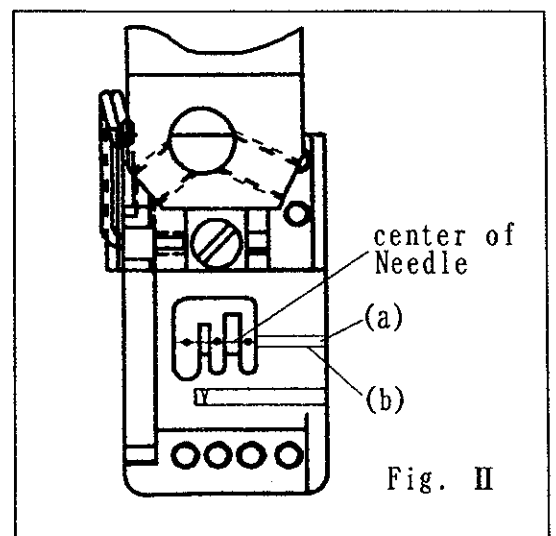
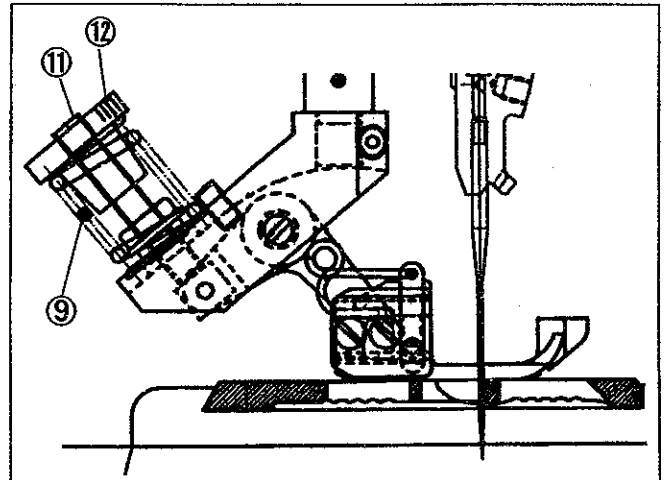
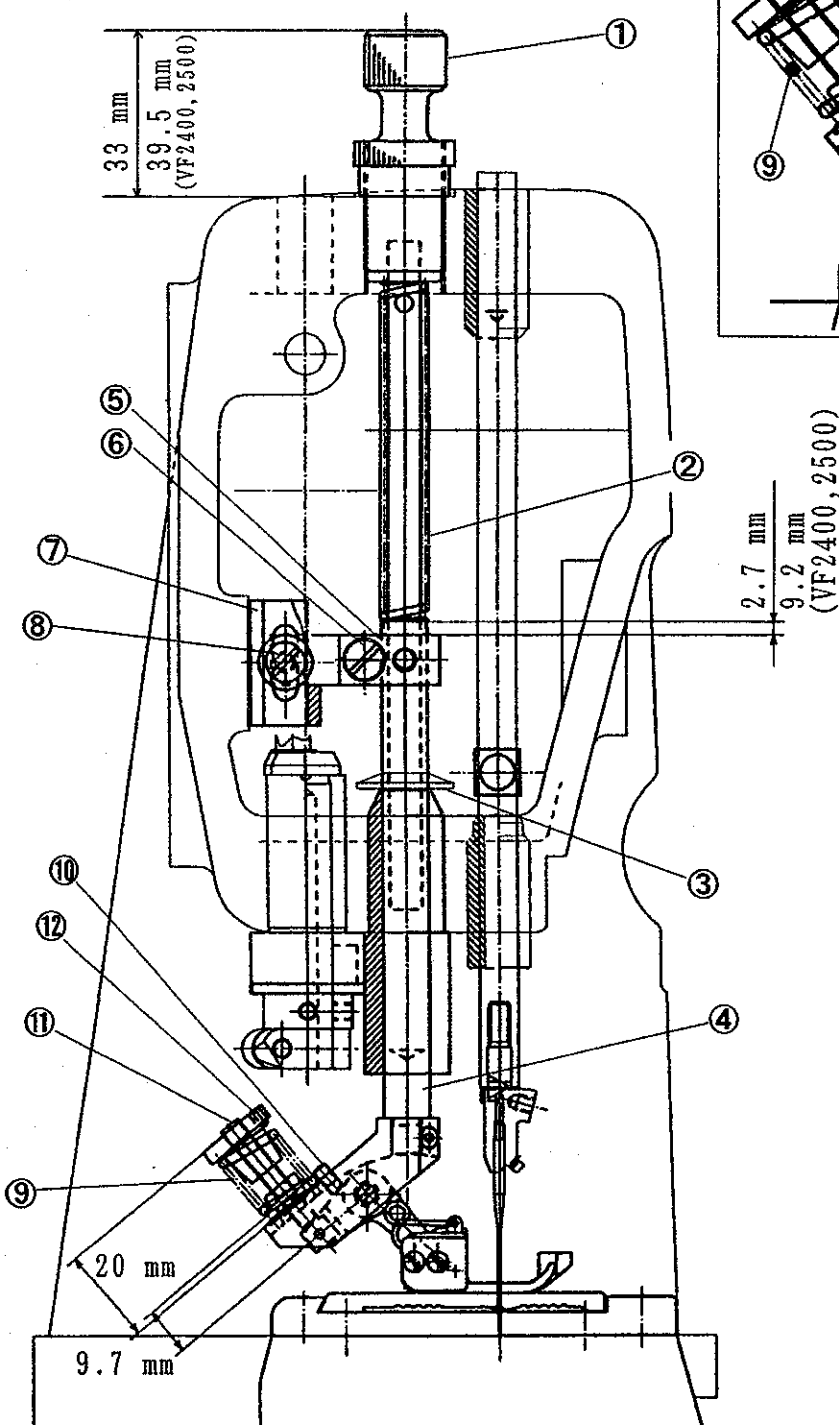
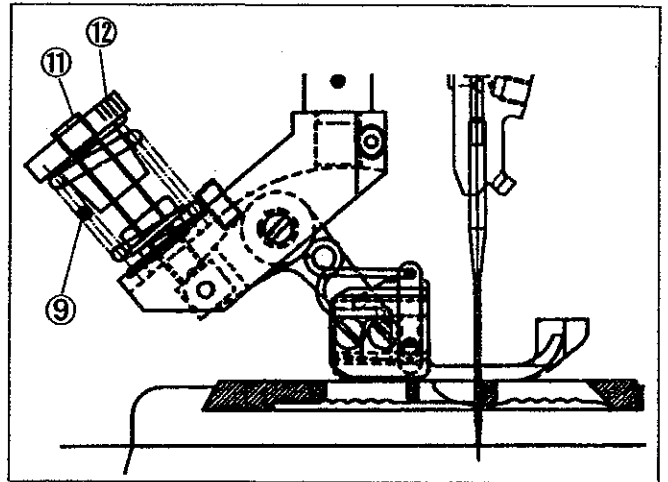


Fig. II

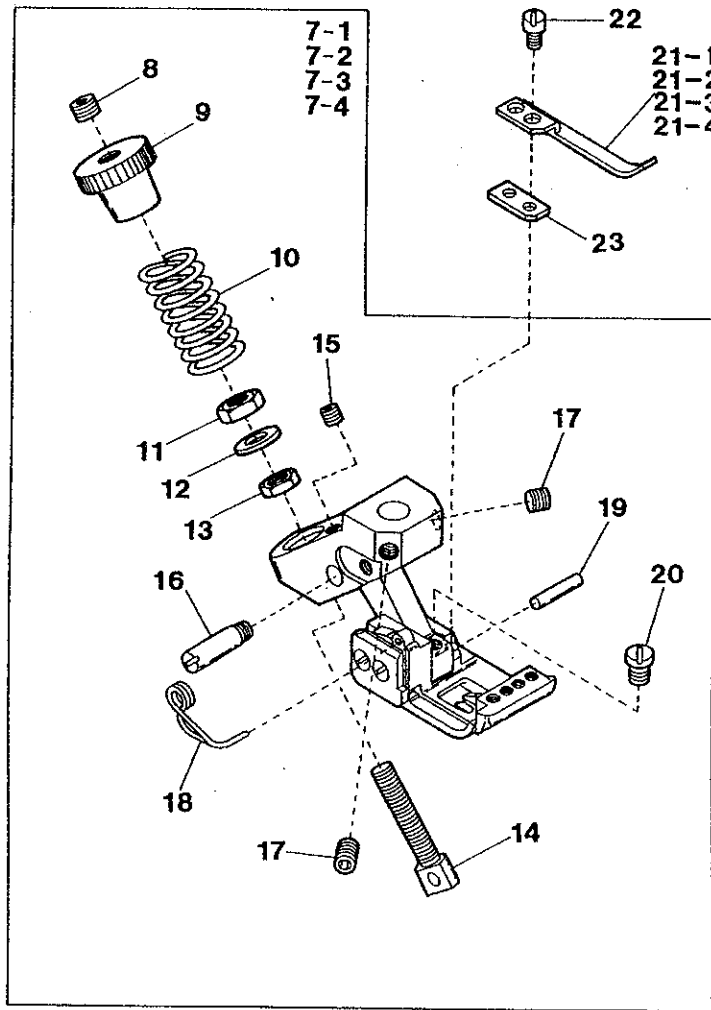
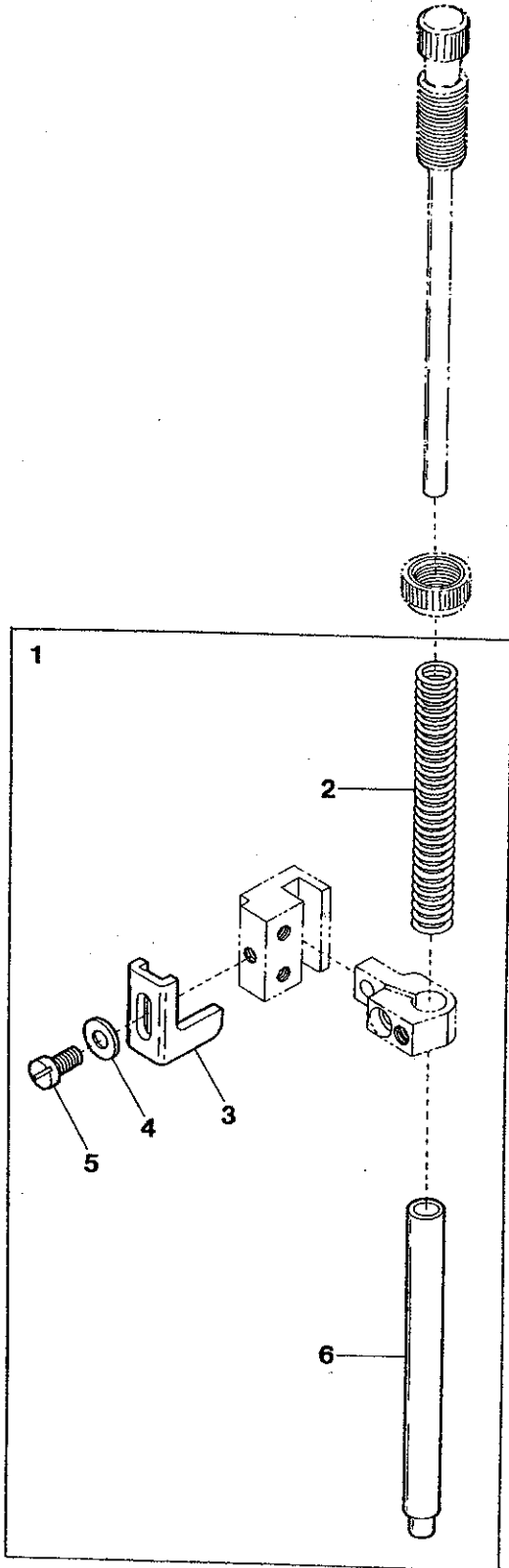
3. Adjustment

- (1) When a bottom ply is fed too much, increase the pressure of Walking Foot Spring⑨.
To increase, loosen Screw⑪ and turn Nut⑫ clockwise.
- (2) When a top ply is fed too much, decrease the pressure of the Spring⑨.
To decrease, loosen Screw⑪ and then turn Nut⑫ counterclockwise.

Note: After adjustment, tighten Screw⑪ by turning clockwise to position Nut⑫.

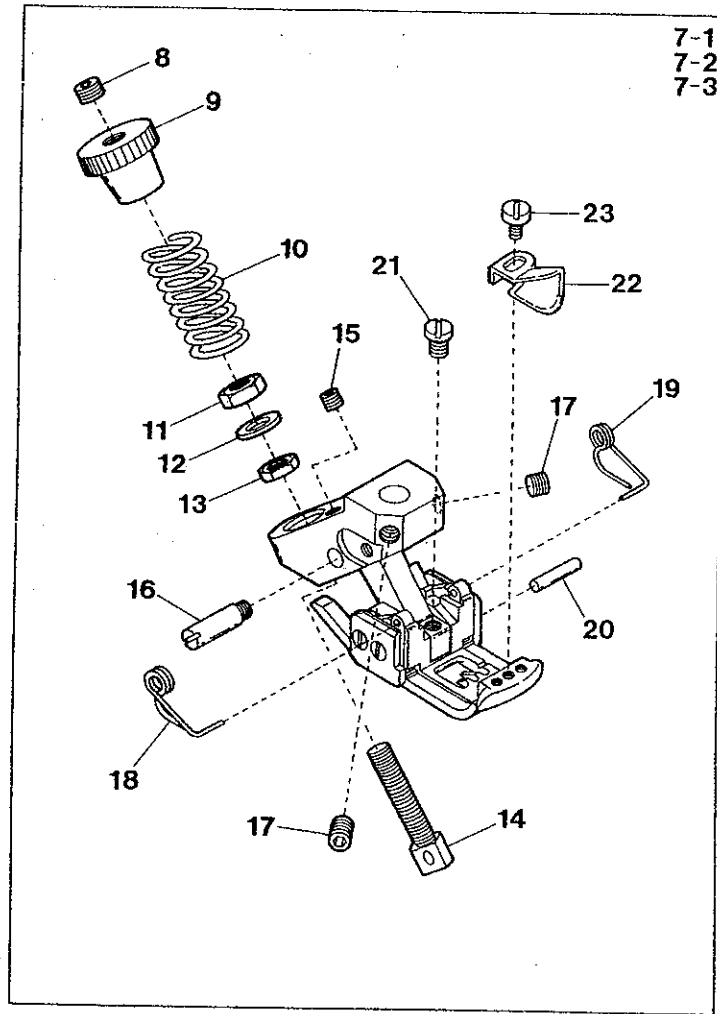
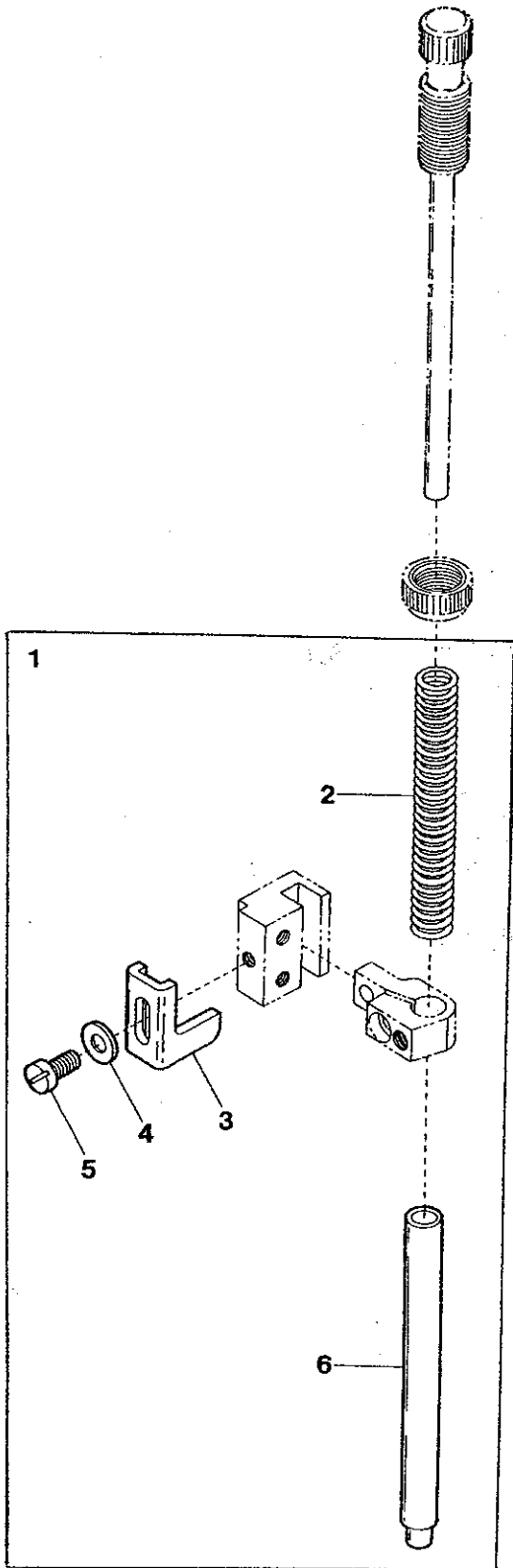


WF1 for VG2700, VC2600, 2700, 3611, VE2711, VF2400, 2500



| Ref. No. | Parts No. | Description | 品名 | Amt. Req. |
|----------|-----------|--|-----------------------|-----------|
| 1 | 3500650 | Conversion Kit for WF | WF切換エキット | 1 |
| 2 | 3200132 | Presser Bar Spring(Outer) | 押エ棒バネ(太) | 1 |
| 3 | 3101315 | Presser Bar Stopper | 押エ棒ストッパ | 1 |
| 4 | 000538 | Washer | ワッシャ | 1 |
| 5 | 004440 | Screw(11/64-40×8.3) | 止ネジ | 1 |
| 6 | 0093480 | Presser Bar | 押エ棒 | 1 |
| 7-1 | 3107277 | Walking Foot, C. Set(48) | ウォーキング押エ(組) | 1 |
| 7-2 | 3107270 | " " (56) | " " | 1 |
| 7-3 | 3107280 | " " (64) | " " | 1 |
| 7-4 | 3107275 | " " (40)(2 Needle) | " " (2本針) | 1 |
| 8 | 160001 | Screw(M4-0.7×4) | 止ネジ | 1 |
| 9 | 100052 | Nut | ナット | 1 |
| 10 | 3207148 | Presser Foot Spring | 押エバネ | 1 |
| 11 | 100020 | Nut(M4-0.7) | ナット | 1 |
| 12 | 000665 | Washer | ワッシャ | 1 |
| 13 | 100057 | Nut(M4-0.7) | ナット | 1 |
| 14 | 3207146 | Adjusting Screw | 調節ネジ | 1 |
| 15 | 160025 | Screw(M3-0.5×6) | 止ネジ | 1 |
| 16 | 0060270 | Yoke Pin | 押エヨークピン | 1 |
| 17 | 160001 | Screw(M4-0.7×4) | 止ネジ | 2 |
| 18 | 3107303 | Presser Foot Spring(Left) | 小押エバネ(左) | 1 |
| 19 | 3107306 | Presser Foot Hinge Pin | 押エヒンジピン | 1 |
| 20 | 110084 | Screw(M3-0.5×4.2) | 止ネジ | 1 |
| 21-1 | 3107272 | Fabric Presser(width 3.1mm)(Extra Parts) | 布押エ(特注部品) | 1 |
| 21-2 | 3107273 | " (width 6.2mm)(Extra Parts) | " (特注部品) | 1 |
| 21-3 | 3107274 | " (width 12.6mm)(Extra Parts) | " (特注部品) | 1 |
| 21-4 | 3107285 | " (width 37.2mm)(Extra Parts) | " (特注部品) | 1 |
| 22 | 001228 | Screw(3/32-56×3.2)(Extra Parts) | 止ネジ(特注部品) | 2 |
| 23 | 3110201 | Spacer(Extra Parts) | スペーサ(特注部品) | 1 |

WF2 for VG2713, VC2613, 2713, VE2713, VS2613, 2713



| Ref. No. | Parts No. | Description | 品名 | Amt. Req. |
|----------|-----------|--------------------------------------|-----------------------|-----------|
| 1 | 3500650 | Conversion Kit for WF | WF切換エキット | 1 |
| 2 | 3200132 | Presser Bar Spring(Outer) | 押エ棒バネ(太) | 1 |
| 3 | 3101315 | Presser Bar Stopper | 押エ棒ストッパ | 1 |
| 4 | 000538 | Washer | ワッシャ | 1 |
| 5 | 004440 | Screw(11/64-40×8.3) | 止ネジ | 1 |
| 6 | 0093480 | Presser Bar | 押エ棒 | 1 |
| 7-1 | 3507072 | Walking Foot, C. Set(48) | ウォーキング押エ(組) | 1 |
| 7-2 | 3507074 | " " (56) | " " | 1 |
| 7-3 | 3507070 | " " (40)(2 Needle) | " " (2本針) | 1 |
| 8 | 160001 | Screw(M4-0.7×4) | 止ネジ | 1 |
| 9 | 100052 | Nut | ナット | 1 |
| 10 | 3207148 | Presser Foot Spring | 押エバネ | 1 |
| 11 | 100020 | Nut(M4-0.7) | ナット | 1 |
| 12 | 000665 | Washer | ワッシャ | 1 |
| 13 | 100057 | Nut(M4-0.7) | ナット | 1 |
| 14 | 3207146 | Adjusting Screw | 調節ネジ | 1 |
| 15 | 160025 | Screw(M3-0.5×6) | 止ネジ | 1 |
| 16 | 0060270 | Yoke Pin | 押エヨークピン | 1 |
| 17 | 160001 | Screw(M4-0.7×4) | 止ネジ | 2 |
| 18 | 3107303 | Presser Foot Spring(Left) | 小押エバネ(左) | 1 |
| 19 | 3107304 | Presser Foot Spring(Right) | 小押エバネ(右) | 1 |
| 20 | 3107306 | Presser Foot Hinge Pin | 押エヒンジピン | 1 |
| 21 | 110084 | Screw(M3-0.5×4.2) | 止ネジ | 1 |
| 22 | 3107311 | Fabric Guide | 布ガイド | 1 |
| 23 | 110027 | Screw(M2.5-0.45×3.5) | 止ネジ | 1 |