



Instruction Manual

Parts List

Pneumatic under thread trimming device
Pneumatic top cover thread trimming device

UT-A

UT-A34, UT-A34/ST2-A

VFS2500 class

Thank you for having purchased UT-A device.
Before using your UT-A device, please read the instruction manual and understand the contents well.
After reading the instruction manual, please keep it in a location where it is easily accessible to the operator.

CONTENTS

1. Installation	1
1.1 Installing solenoid valves	1
1.2 Wiring	1
1.2.1 Detector switch	1
1.2.1.1 Adjusting detector switch	1
1.2.1.2 Connecting detector switch	2
1.2.2 Connecting intermediate cable	3
1.2.2.1 Solenoid valves side	3
1.2.2.2 Motor side	3
1.2.2.3 Solenoid valve number and intermediate cable part number	3
1.3 Air piping diagram	4
1.3.1 UT-A34 device	4
1.3.2 UT-A34/ST2-A device	5
1.4 Installing synchronizer	6
2. Operation	7
2.1 Operating procedure for UT-A34 device	7
2.2 Operating procedure for UT-A34/ST2-A device	8
3. Adjustments	9
3.1 Adjusting thread trimming mechanism	9
3.1.1 Adjusting thread trimming air cylinder	9
3.1.2 Position of lower knife	9
3.1.3 Relation between lower knife and needle	10
3.1.4 Relation between lower knife and looper	11
3.1.5 Relation between upper and lower knives and thread clamp spring	11
3.1.6 Engagement between upper and lower knives	11
3.1.7 Adjusting the thread length at the end of sewing	12
3.1.8 Pressure of looper thread clamp spring	12
3.1.9 Relation between lower knife, needle thread, and looper thread	13

CONTENTS

3.2	Adjusting tension release mechanism	14
3.2.1	Tension release block	14
3.2.2	Tension release connecting plate	14
3.2.3	Thread pull-off lever	14
3.2.4	Looper thread pull-off	15
3.2.5	Tension disc separator	16
3.2.6	Thread pull-off hook unit	16
3.3	Adjusting air wiper	17
3.4	Presser foot lifter mechanism	17
3.5	ST2-A device	18
3.5.1	Position of movable trimming knife	18
3.5.2	Engagement between movable and fixed trimming knives	19
3.5.3	Pressure of thread clamp spring	20
3.5.4	Adjusting thread pull-off hook unit	20

**** ILLUSTRATED SPARE PARTS LIST ****

Attention

The description in this instruction manual is subject to change for improvements of the commodity without notice.

1. Installation

1.1 Installing solenoid valves

- (1) Remove the screws ② and the washers ③ from the air cylinder bracket ①.
- (2) Install the solenoid valve guard ④ to the air cylinder bracket ① with the screws ② and the washers ③.
- (3) Install the solenoid valves ⑤ to the air cylinder holder ① with the screws ⑥.
- (4) After wiring, bundle the intermediate cable and the detector switch with the cord clamp ⑦ and fix them to the solenoid valve guard ④ with the screw ⑧. (See 1.2.2 "Connecting intermediate cable")

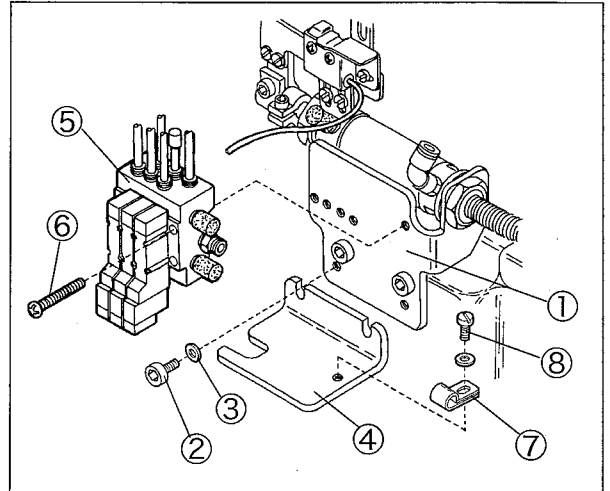


Fig. 1

1.2 Wiring

1.2.1 Detector switch

1.2.1.1 Adjusting detector switch

The detector switch works that the machine does not run until the trimming knife returns to its original position.

- (1) Loosen the screws ⑨ and ⑩.
- (2) Adjust the positions of the detector switch ⑪ and the switch guide ⑫ as below.
 - Make the switch turn ON when the trimming knife returns to its original position.
 - Make the switch turn OFF when the front of the upper knife touches the looper with moving the air cylinder by hand.
- (3) Tighten the screws ⑨ and ⑩ securely.

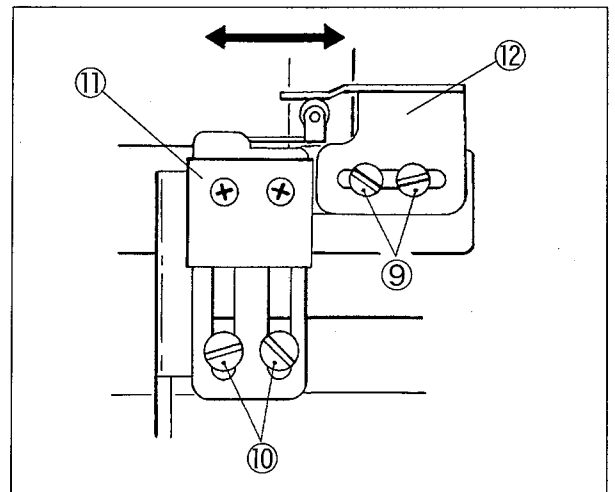


Fig. 2

1.Installation

1.2.1.2 Connecting detector switch

- (1) Connect the cords of the detector switch to the 3P-connector with the numbers below.

black cord : ①
white cord : ③
red cord : ②

- (2) Connect the 3P-connector of the detector switch to that of the intermediate cable.

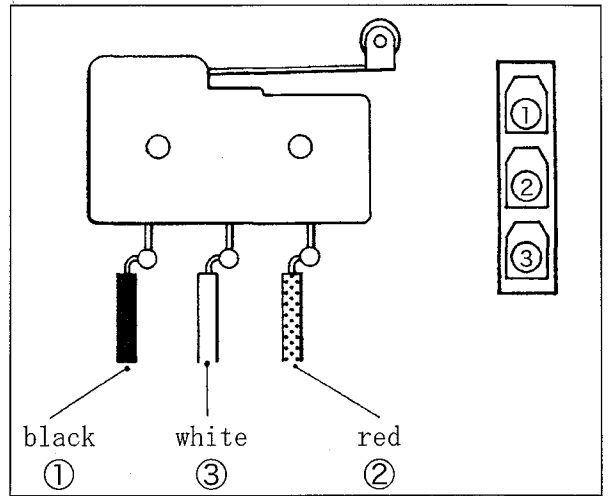


Fig. 3

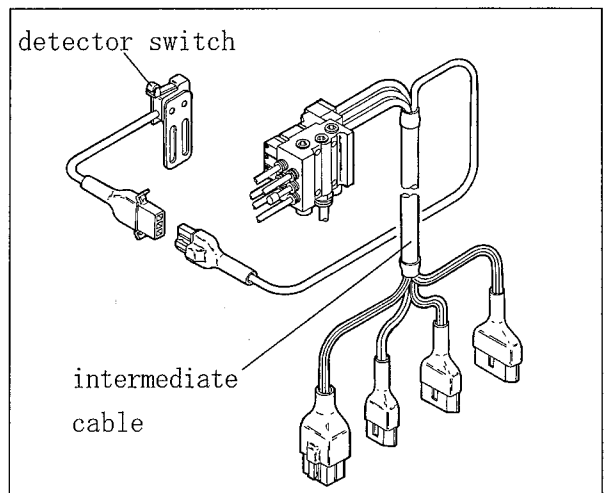


Fig. 4

1.2.2 Connecting intermediate cable

1.2.2.1 Solenoid valves side

Insert the connectors of the intermediate cable to the solenoid valves until you hear them click. The numbers of the connector should be coincided with those of the solenoid valves respectively.

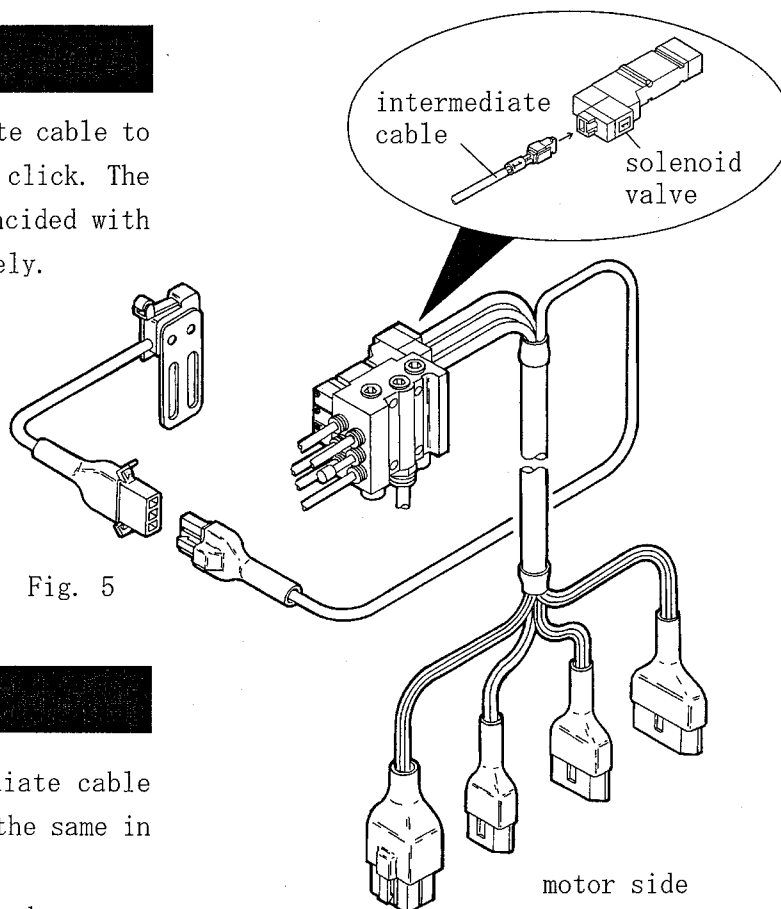


Fig. 5

1.2.2.2 Motor side

Connect the connectors of the intermediate cable to those of the control box. They are the same in color and in shape.

Note: If not the same, it can cause the damage.

NOTES

1. Figure 5 shows three solenoid valves.
2. The intermediate cable depends on your motor.

1.2.2.3 Solenoid valve number and intermediate cable part number

	looper thread cutter	presser foot lifter	air wiper	top cover thread cutter	chip suctioning pipe	number of solenoid valves	part number of intermediate cable
/UT-A34	②	①	③	×	×	3	1200452
/UT-A34/ST2-A	②	①	×	③	×	3	1200452

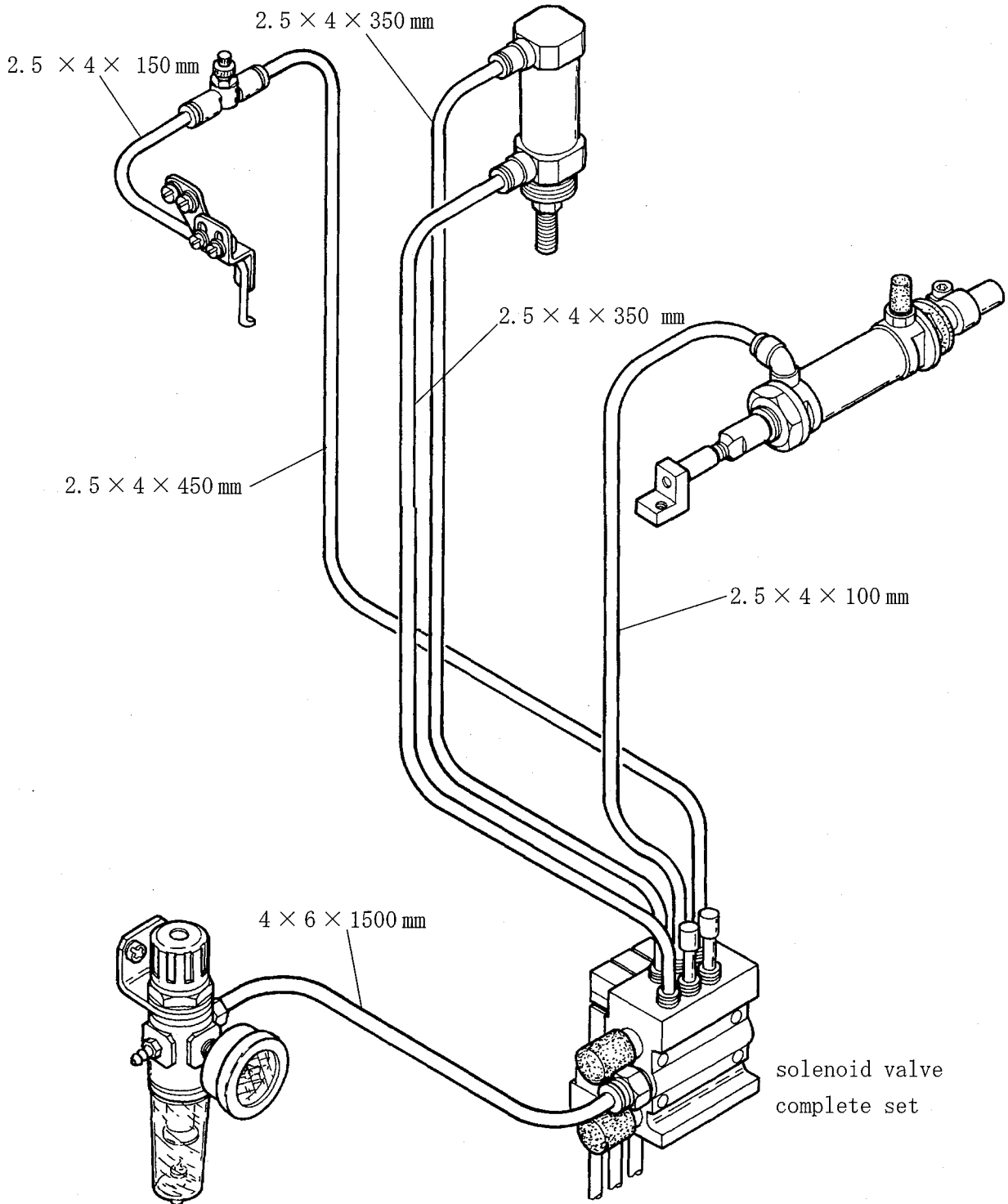
Table. 1

Note 1 : The circled number shows the number with the solenoid valve.

Note 2 : The part number of the intermediate cable shows the use for our specified motor (Mitsubishi Motors : EY100, FY100, or HY100).

1.3 Air piping diagram

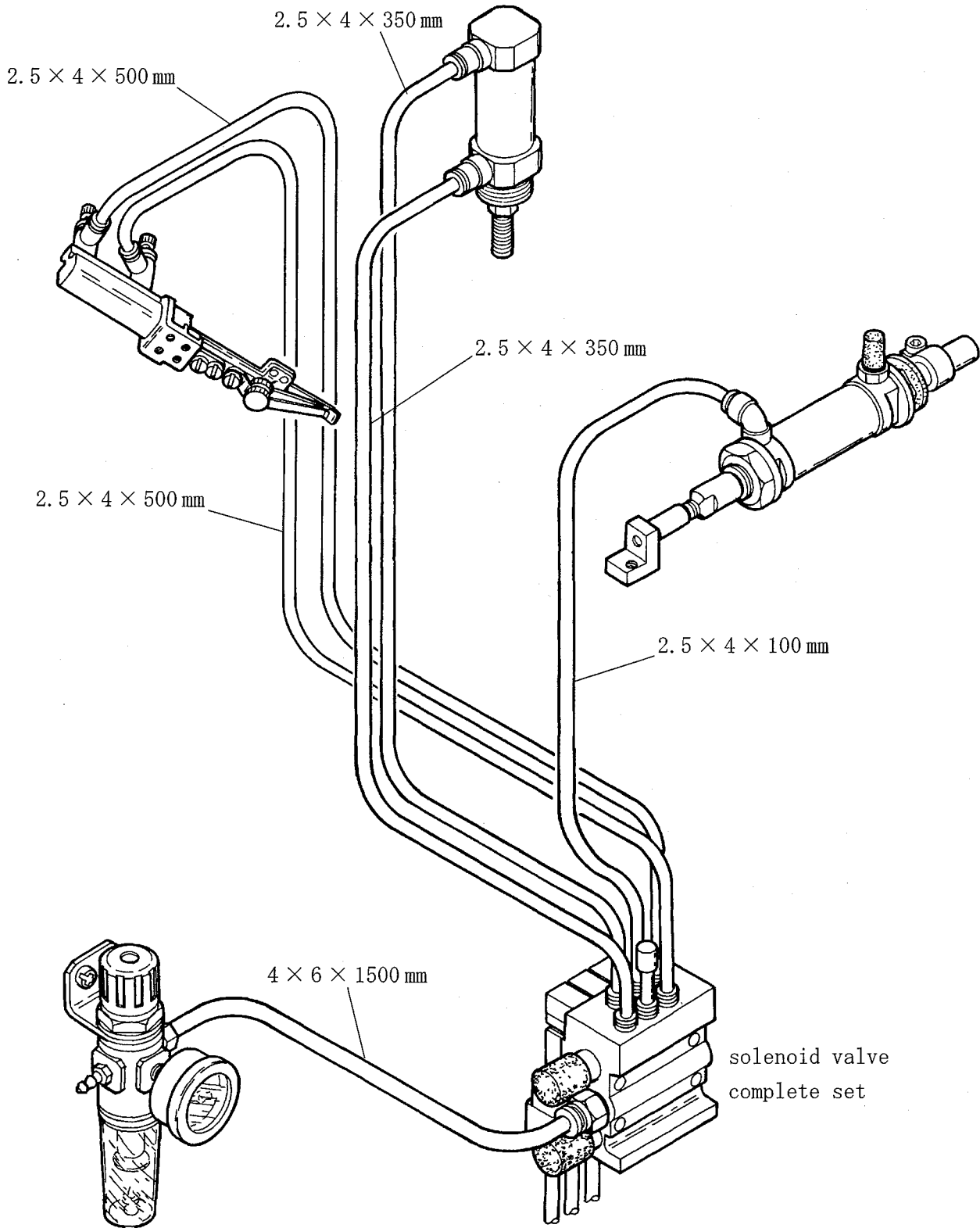
1.3.1 UT-A34 device



air pressure : standard 0.4 MPa (4kgf/cm²)
usable range 0.35 – 0.45 MPa

Fig. 6

1.3.2 UT-A34/ST2-A device



air pressure : standard 0.4 MPa(4kgf/cm²)
 usable range 0.35 - 0.45 MPa

Fig. 7

1. Installation

⚠ CAUTION

Disconnect the plug for the thread trimming air cylinder from the control box for the motor.
The parts may be touched and broken.

1.4 Installing synchronizer

- (1) Install the synchronizer ① on the machine pulley and tighten the screws ② slightly.
- (2) Set the synchronizer positioning pin ③ into the groove of the synchronizer ① and tighten the screw ④ securely.
- (3) Turn the motor switch "ON".
- (4) Toe down the pedal to sew two or three stitches.
- (5) Heel back the pedal. Then the needle stops a certain position.
- (6) Loosen the screws ② and rotate the pulley clockwise. Align the line ⑤ of the handwheel with the hole ⑥ of the machine arm with keeping the positions of the screws ② (be sure not to rotate the shaft of the synchronizer).

NOTES

1. The needle bar is at the highest point at (6).
2. Use this device when the needle bar is at the position below 0.5 mm from the highest point by further rotating the pulley.

- (7) Toe down the pedal to sew a few stitches. Check that the needle bar stops at the position below 0.5 mm from the highest point.

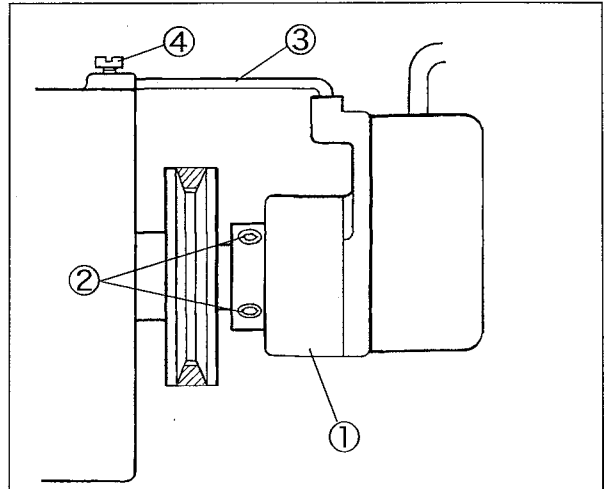


Fig. 8

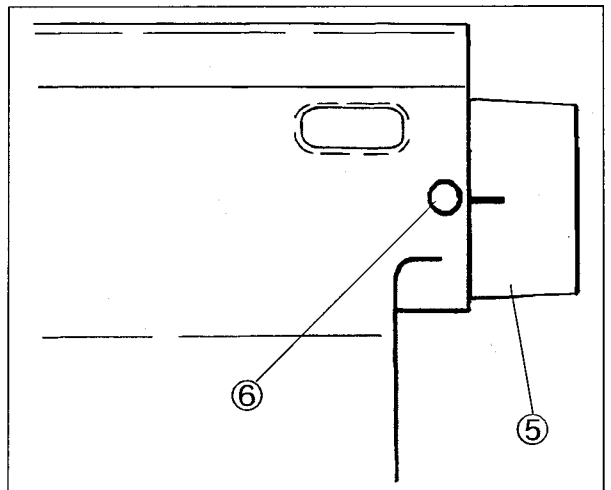


Fig. 9

2. Operation

⚠ CAUTION

Be sure to place the fabric under the presser foot when operating.

2.1 Operating procedure for UT-A34 device

The motor can be selected 1 position or 2 position. The operating procedure for 1 position and 2 position is mentioned below.

- (1) Place the fabric under the presser foot and toe down the pedal. (Fig. 10 ①)

The machine starts sewing.

- (2) Release the pedal. (Fig. 10 ②)

The needle stops at the lowest point.

(When 1 position is selected, this procedure is skipped.)

- (3) Heel back the pedal. (Fig. 10 ③)

The needle rises and stops at the highest point.

The trimming knife mechanism operates to cut the needle and the looper threads under the stitch plate. The looper thread is held by the thread clamp spring.

And then, the presser foot is raised and the air wiper blows the air. The air wiper stops blowing after two seconds.

- (4) Release the pedal. (Fig. 10 ②)

The presser foot is lowered.

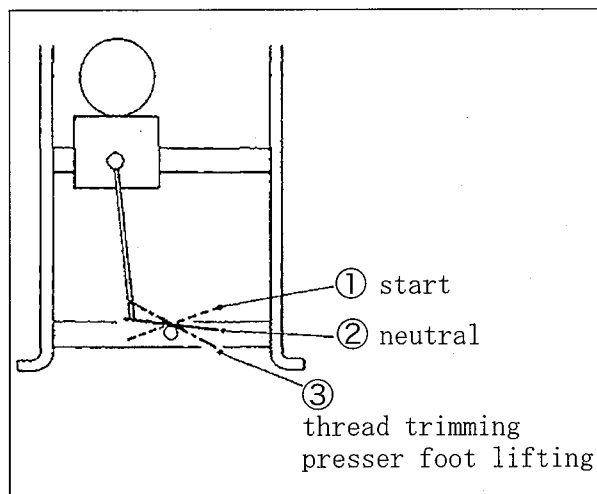


Fig. 10

NOTE

The presser foot can be moved up and down by heeling back the pedal to the positions ② and ③ until the pedal is toed down to the position ①.

⚠ CAUTION

Be sure to place the fabric under the presser foot when operating.

2.2 Operating procedure for UT-A34/ST2-A device

The motor can be selected 1 position or 2 position. The operating procedure for 1 position and 2 position is mentioned below.

- (1) Place the fabric under the presser foot and toe down the pedal. (Fig. 11 ①)

The machine starts sewing.

- (2) Release the pedal. (Fig. 11 ②)

The needle stops at the lowest point.

(When 1 position is selected, this procedure is skipped.)

- (3) Heel back the pedal. (Fig. 11 ③)

The needle rises and stops at the highest point.

The trimming knife mechanism operates to cut the needle and the looper threads under the stitch plate. The looper thread is held by the thread clamp spring. The ST2-A device cuts and holds the top cover thread.

And then, the presser foot is raised.

- (4) Release the pedal. (Fig. 11 ②)

The presser foot is lowered.

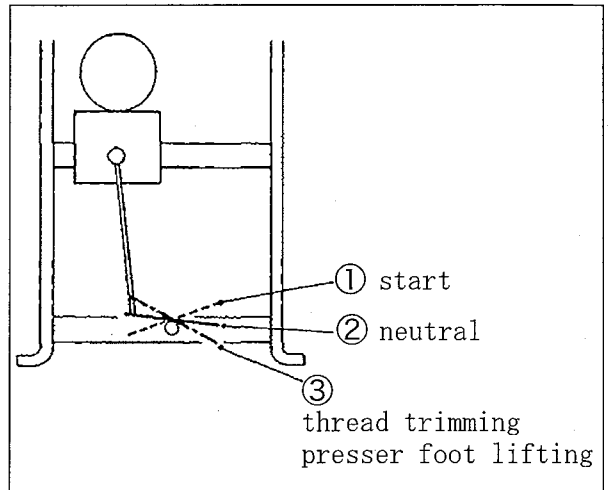


Fig. 11

NOTE

The presser foot can be moved up and down by heeling back the pedal to the positions ② and ③ until the pedal is toed down to the position ①.

3. Adjustments



WARNING

ALWAYS turn the motor switch OFF and check that the motor has been already stopped.

3.1 Adjusting thread trimming mechanism

3.1.1 Adjusting thread trimming air cylinder

The proper stroke of the air cylinder is 15 mm.
Loosen the screw ② of the collar ① to adjust it.



CAUTION

Readjust the thread trimming mechanism after changing the stroke of the air cylinder.

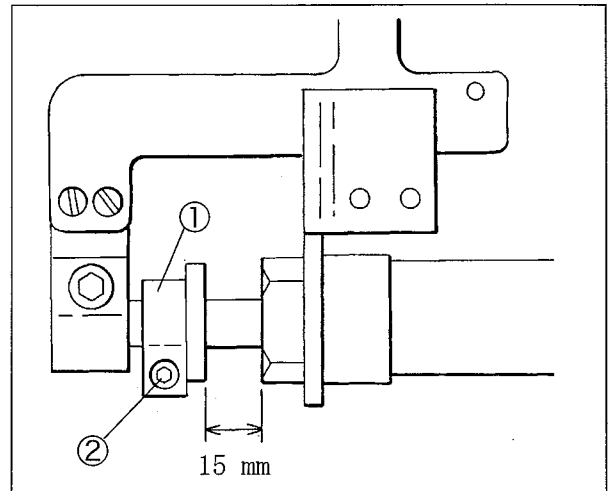


Fig. 12

3.1.2 Position of lower knife



CAUTION

The trimming knife mechanism can be operated manually only when the needle is at the highest point. If not at the highest point, the parts may be touched and broken.

When the looper is at the extreme left, move the lower knife ③ to the left. Adjust the lower knife edge to pass the point ⑤ 14 mm apart from the right of the looper (above the looper ridge ⑥).

Loosen the screws ④ to adjust it.

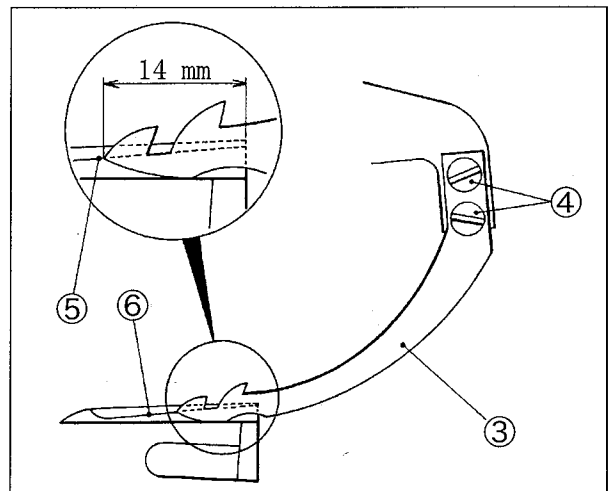


Fig. 13

3.Adjustments



WARNING

ALWAYS turn the motor switch OFF and check that the motor has been already stopped.

3.1.3 Relation between lower knife and needle

- (1) Loosen the nuts ④ and ⑤.
- (2) Slide the lower knife ① to the extreme left.
- (3) Adjust the clearance between the hook for the needle thread and the left needle to 2.5–3.0 mm with turning the trimming connecting rod ⑥.
 - To make a wide clearance, turn the rod in the direction “W”.
 - To make a narrow clearance, turn it in the direction “N”.
- (4) Tighten the nuts ④ and ⑤ securely. Make sure that the trimming connecting plate ② and the lower knife carrier ③ move smoothly.

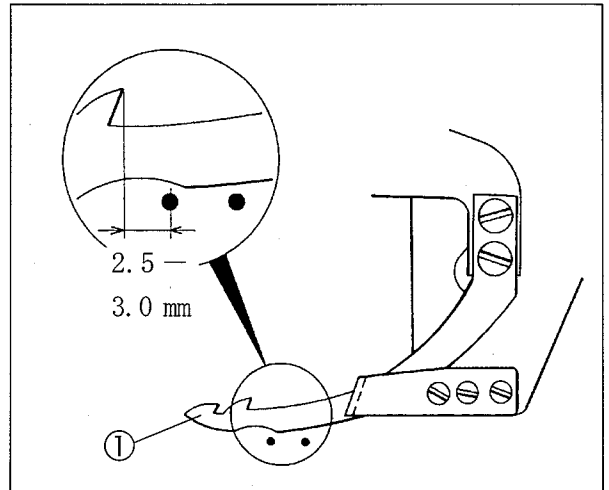


Fig. 14

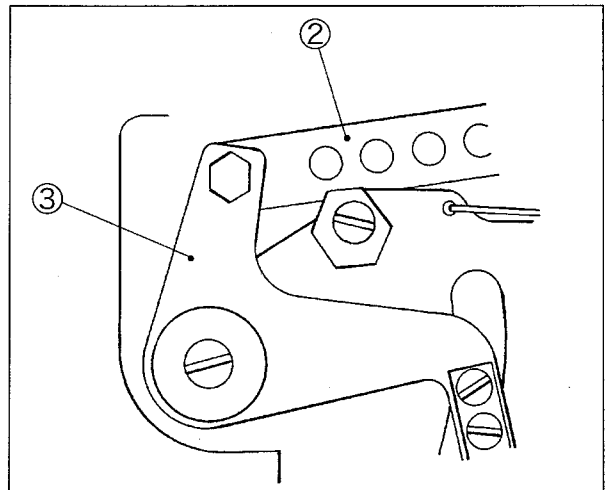


Fig. 15

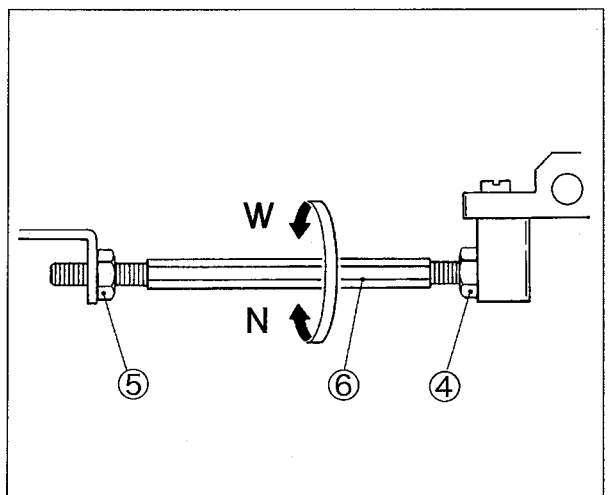


Fig. 16

3.1.4 Relation between lower knife and looper

The clearance between the top surface of the looper ② and the bottom surface of the thread clamp spring ③ is 0.1 - 0.3 mm when moving the lower knife ①. If improper clearance, the upper knife holder may be bent. Straighten it.

NOTE

Do not change the height of the looper when adjusting the clearance. It can cause the skip stitch.

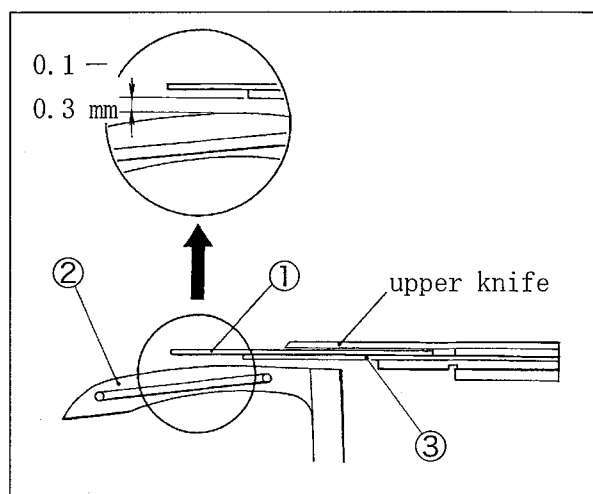


Fig. 17

3.1.5 Relation between upper and lower knives and thread clamp spring

Adjust the hook edge ④ for the needle thread to pass the edge ⑤ (I) of the upper knife, the hook edge ⑥ for the looper thread to pass the edge ⑦ (II) of the needle clamp spring, and the inner side ⑧ of the lower knife to pass the edge ⑦. Loosen the screws ⑨ to adjust them.

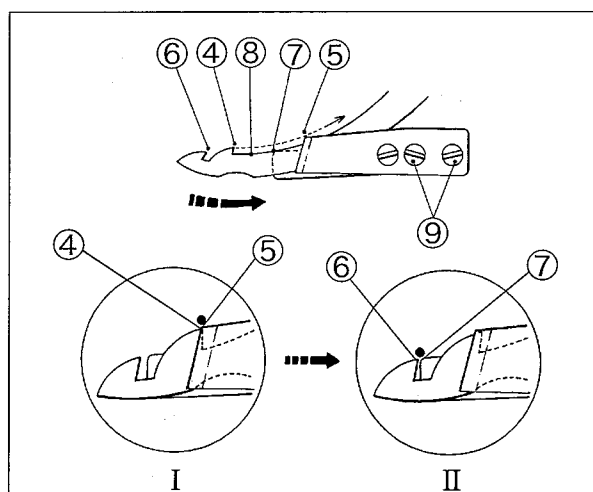


Fig. 18

3.1.6 Engagement between upper and lower knives

The engagement between the upper knife ⑩ and the lower knife ⑩ is 0.2 - 0.5 mm. When the lower knife comes to the extreme right, loosen the screw ⑬ and move the hexagonal stop plate ⑫ to adjust it.

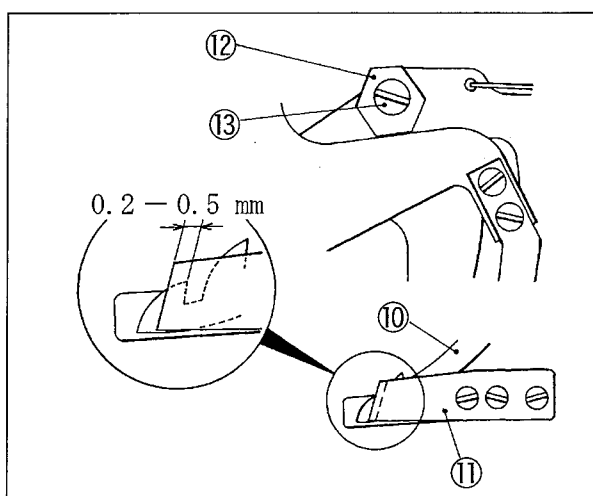


Fig. 19

3.Adjustments

3.1.7 Adjusting the thread length at the end of sewing

When the thread trimming device starts operating, the lower knife① moves to the left and the upper knife carrier④ moves to the left by the upper knife spring.

When the clearance between the edge of the thread clamp spring② and the right of the feed dog is 0 - 0.5 mm, tighten the screws⑦ with applying the upper knife carrier stop (large)⑤ to the part⑥ of the upper knife carrier④.

The lower knife① returns from the extreme left with the needle and the looper threads and engages with the upper knife③. The knives cut them.

The thread clamp spring② should be at the position 0 - 0.5mm apart from the feed dog until the threads have been cut completely. This position makes the thread length at the end of sewing.

- To shorten the threads, position the thread clamp spring to the left.
- To lengthen them, position it to the right.

Adjust the clearance between the point⑩ of the upper knife carrier⑧ and the upper knife carrier stop (small)⑪ to 1.5 - 2.0 mm when the plunger of the cylinder is placed to the left (when the trimming device does not operate).

Loosen the screws⑨ to adjust it.

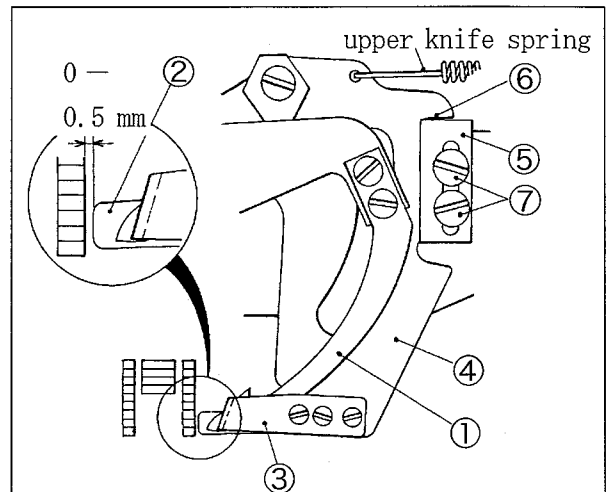


Fig. 20

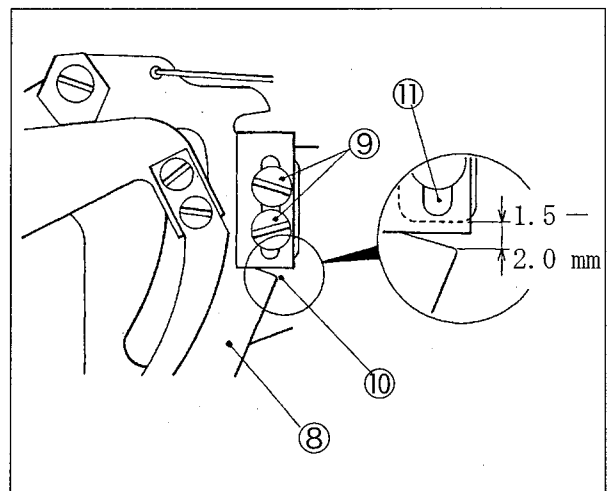


Fig. 21

3.1.8 Pressure of looper thread clamp spring

The thread clamp spring② holds the looper thread after cutting it. Turn the screws⑫ to adjust the pressure.

- To increase the pressure, turn the screws clockwise.
- To decrease the pressure, turn the screws counterclockwise.

Keep the pressure as low as possible to hold the looper thread.

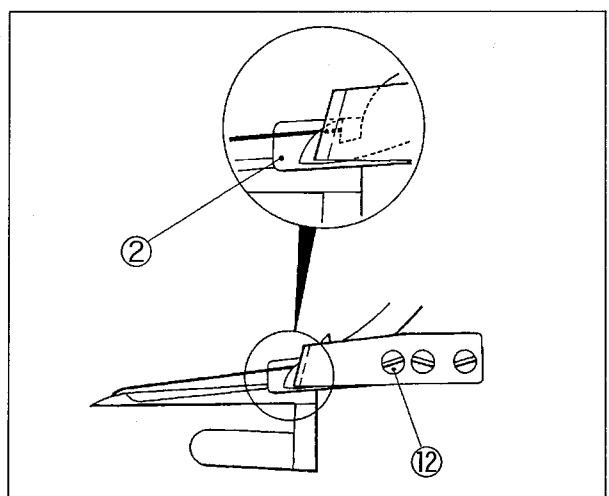


Fig. 22

3.1.9 Relation between lower knife, needle thread, and looper thread

After adjusting the all, thread correctly and check the following points before sewing.

- The lower knife ① should pass in the loops ③ and ④ and the edge ② for the looper should pass in front of the looper thread.
- When returning the lower knife ①, the needle and the looper threads are hooked by the edges ② and ⑤ respectively, and then they are cut by the upper knife.
- If not operating properly, adjust the clearance between the left needle and the edge ⑤ for the needle thread more than 2.5—3.0 mm. (See “3.1.3 Relation between lower knife and needle”)

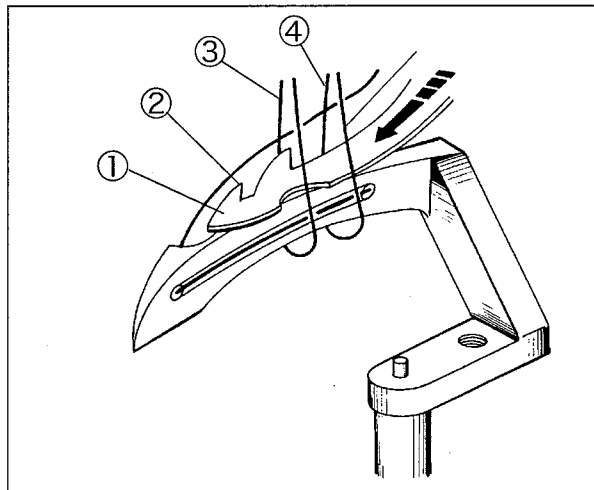


Fig. 23

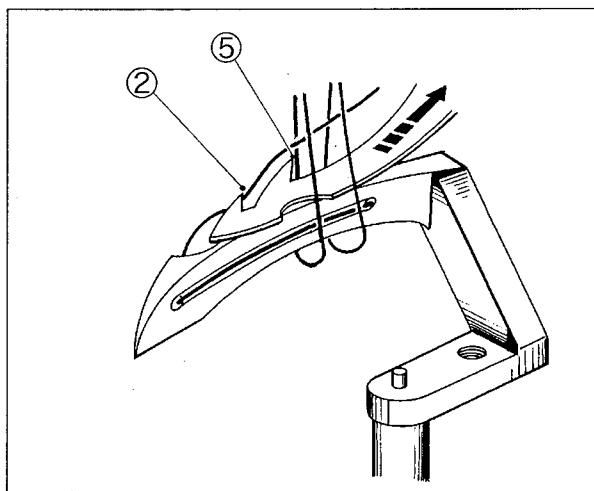


Fig. 24

3.Adjustments

WARNING

ALWAYS turn the motor switch OFF and check that the motor has been already stopped.

3.2 Adjusting tension release mechanism

3.2.1 Tension release block

- (1) Loosen the screw ③.
- (2) When the rod of the thread trimming air cylinder is at the extreme left (when the trimming knife device does not operate), even up the edge of the tension release block ① and rod end ② of the air cylinder.
- (3) Tighten the screw ③ securely.

3.2.2 Tension release connecting plate

Adjust it referring to Figs. 25 and 26.

- (1) Loosen the lock nut ④ of the air cylinder.
- (2) Adjust the position of the switch holder ⑤ so that the screw head ⑦ does not come off with keeping a clearance between the tension release connecting plate ⑥ and the tension release lever ⑧.
- (3) Tighten the lock nut ④ securely.

3.2.3 Thread pull-off lever

- (1) Loosen the screw ⑩ of the tension release lever on the rear of the machine frame.
- (2) Raise the thread pull-off lever ⑨ to the highest point.
- (3) Tighten the screw ⑩ securely.

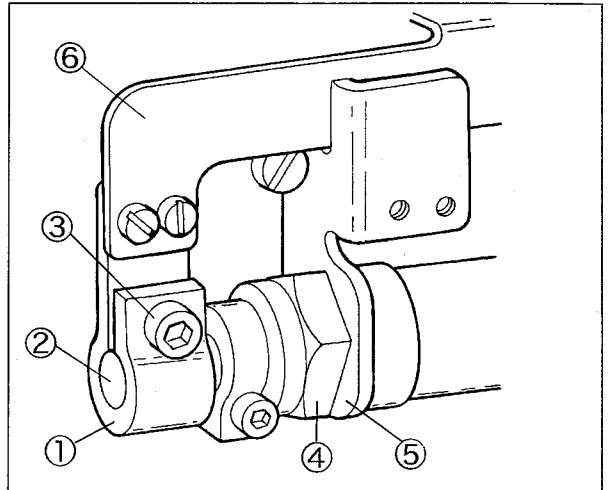


Fig. 25

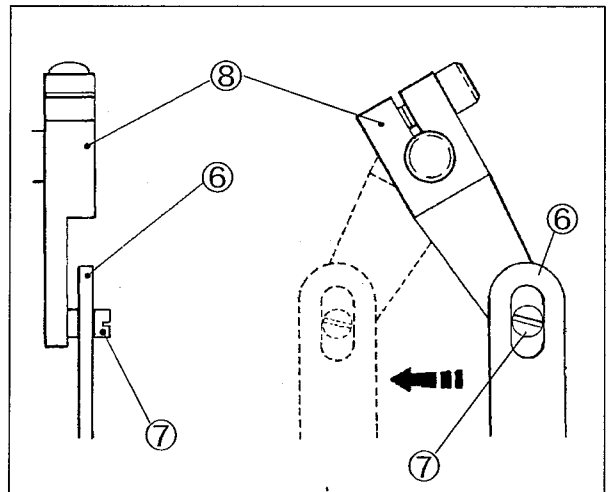


Fig. 26

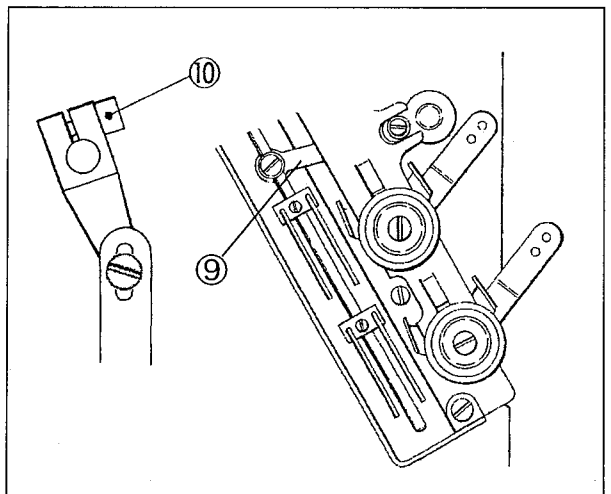


Fig. 27

⚠ WARNING

ALWAYS turn the motor switch OFF and check that the motor has been already stopped.

3.2.4 Loper thread pull-off

When using stretchable thread like woolly for the looper, use the looper thread pull-off ① if required.

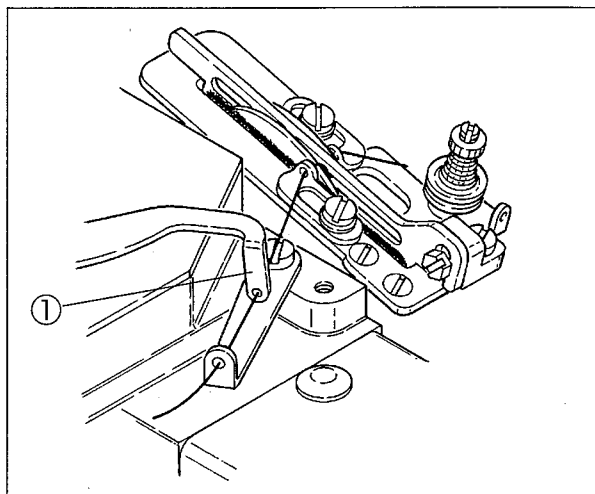


Fig. 28

3.Adjustments

WARNING

ALWAYS turn the motor switch OFF and check that the motor has been already stopped.

3.2.5 Tension disc separator

- (1) Loosen the screw ② of the tension release adjusting eccentric ①.
- (2) Position the tension disc separator ③ by turning the tension release adjusting eccentric ① so that the thread tension discs can open as fast as possible.
To open the thread tension discs fast, lower the tension disc separator ③.
- (3) Loosen the screw ⑦ to set the top of the tension pull-off bar ④ 35 mm extruded from that of the thread pull-off eyelet ⑤.
- (4) Fix the tension pull-off bar ④ to the thread pull-off bar holder ⑥ with the screw ⑦.

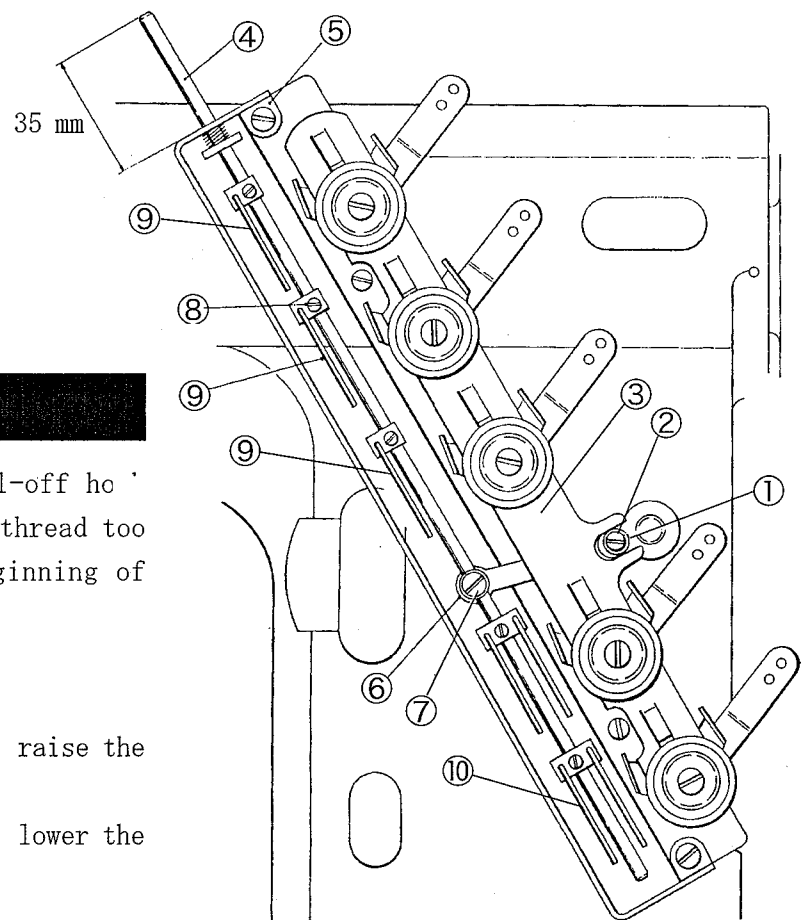


Fig. 29

3.2.6 Thread pull-off hook unit

Adjust the position of the thread pull-off hook unit ⑨ without remaining of the needle thread too much on the fabric surface at the beginning of sewing.

Loosen the screws ⑧ to adjust it.

- To decrease the thread feeding amount, raise the thread pull-off hook unit ⑨.
- To increase the thread feeding amount, lower the thread pull-off hook unit ⑨.

CAUTION

1. If the thread feeding amount of the hook unit ⑨ is too little, the stitch can not formed at the beginning of sewing.
2. Use the thread pull-off hook unit ⑩ only when using woolly thread for the looper. When not using, raise it at the position the thread does not feed.

3.3 Adjusting air wiper

- (1) Loosen the screws ③.
- (2) Slide the air wiper ① back and forth to blow the air behind the needle.
- (3) Tighten the screws ③ securely.
- (4) Loosen the screws ④.
- (5) Raise the needles at the highest point, and set the center of the air blowing hole ② of the air wiper 1–2 mm below the left needle eye.
- (6) Tighten the screws ④ securely.
- (7) Adjust the air volume with the speed controller ⑤.
 - To decrease the air volume, turn the adjusting screw clockwise.
 - To increase the air volume, turn it counter-clockwise.

⚠ CAUTION

1. Keep the air volume to a minimum.
2. If the air blows in front of the needles, the needle thread may be slipped away from the needle eye. Make sure that the air blows behind the needles.

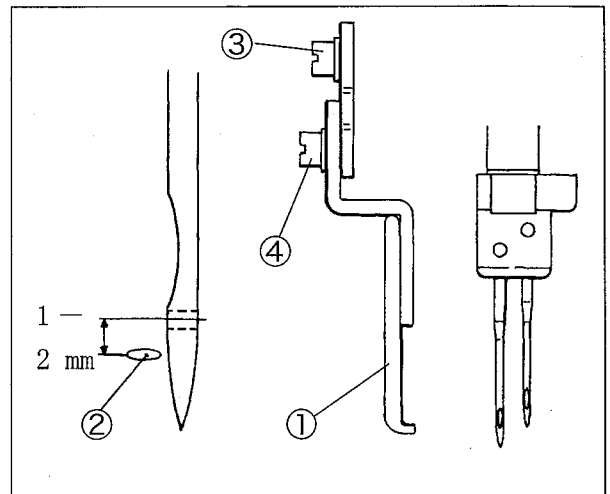


Fig. 30

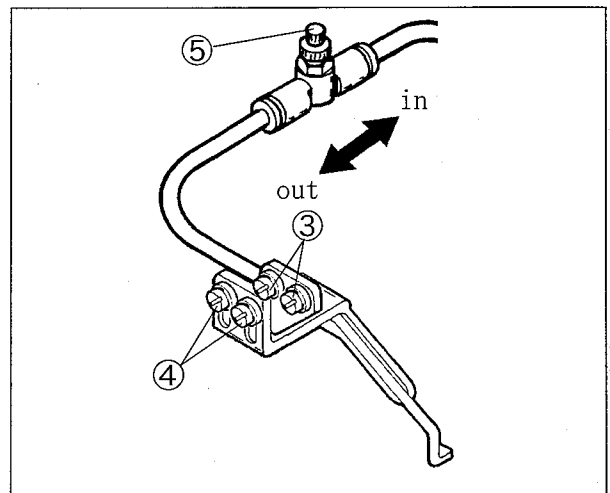


Fig. 31

3.4 Presser foot lifter mechanism

⚠ WARNING

ALWAYS turn the motor switch OFF and check that the motor has been already stopped.

- (1) Loosen the lock nut ⑦.
- (2) Adjust the presser foot to rise by 7 mm when the cylinder rod ⑥ is lowered (when the cylinder operates). Turn the cylinder rod chip ⑧ to adjust it.
- (3) Tighten the lock nut ⑦ securely.

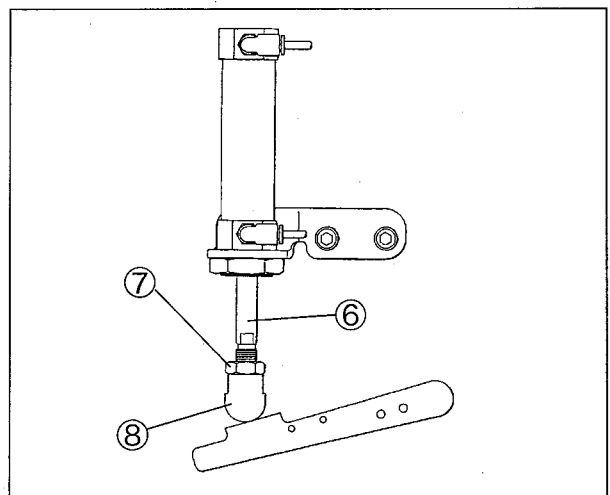


Fig. 32

3.Adjustments

WARNING

ALWAYS turn the motor switch OFF and check that the motor has been already stopped.

3.5 ST2-A device

3.5.1 Position of movable trimming knife

- (1) Align the mark ① of the handwheel with the hole ② of the machine arm (the needle is positioned to the highest point).
- (2) Set the movable trimming knife ③ at the lowest point with inserting a pair of tweezers through the hole ④ of the movable trimming knife ③.

NOTE

Never touch the movable trimming knife ③ to the left needle ⑤ from the presser foot and the spreader ⑥ when lowering it. If touched them, loosen the screws ⑦ and ⑧ to adjust it.

- (3) Make a clearance between the top surface of the stitch plate and the edge ⑨ of the movable trimming knife to 5.5 - 6.0 mm when the movable trimming knife ③ is at the lowest point. Loosen the screw ⑩ to adjust it.

NOTE

After adjusting the above, the movable trimming knife ③ should be crossed the top cover thread.

- (4) After that, tighten the screws ⑦, ⑧, and ⑩ securely.
- (5) Check the position of the movable trimming knife ③ with moving it up and down.

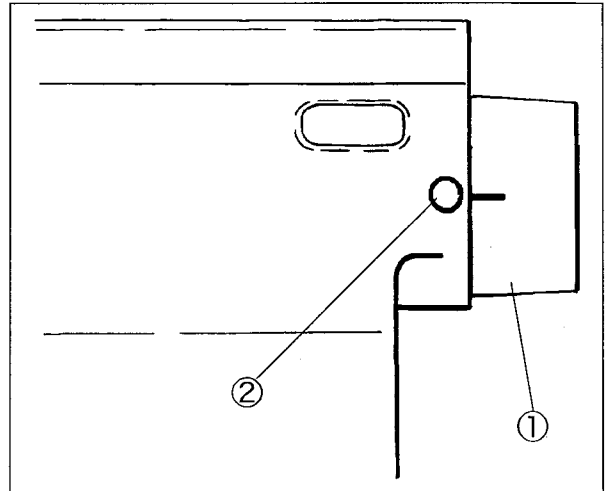


Fig. 33

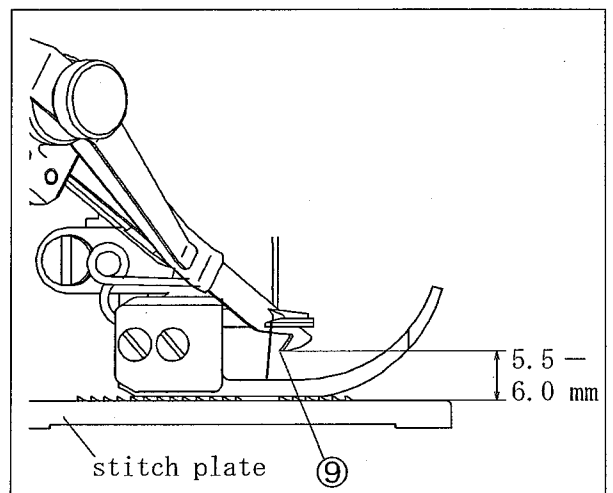


Fig. 34

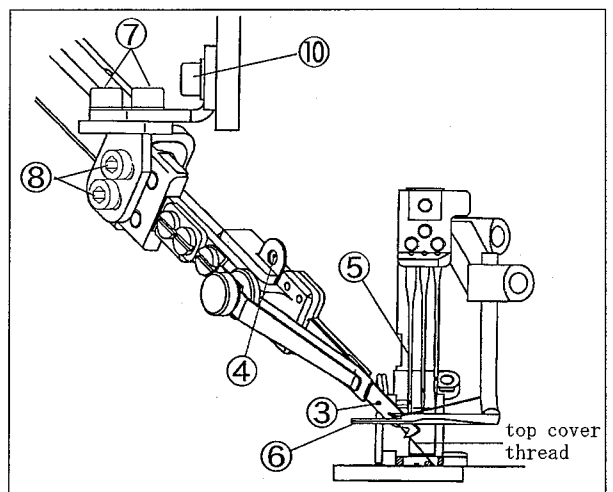


Fig. 35

NOTE

Adjust the speed of the movable trimming knife with the speed controllers of the air cylinder.

- To speed down, loosen the nuts on the speed controllers and turn the adjusting screws clockwise.
- To speed up, loosen the nuts and turn them counter-clockwise.

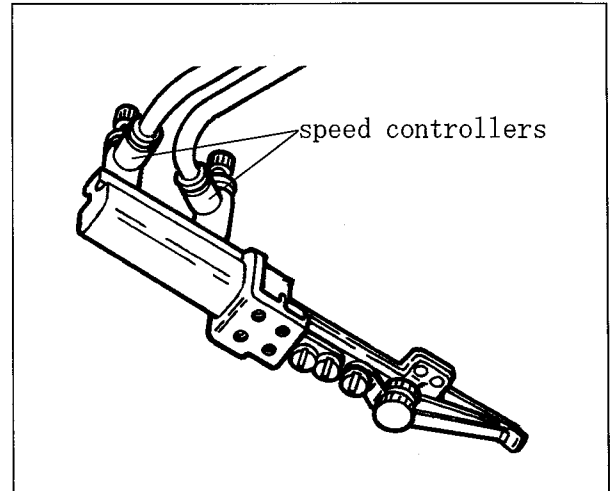


Fig. 36

3.5.2 Engagement between movable and fixed trimming knives**WARNING**

ALWAYS turn the motor switch OFF and check that the motor has been already stopped.

The engagement between the movable trimming knife ① and the fixed trimming knife ② has been adjusted as shown in Fig. 37.

Normally the above adjustment is unnecessary.

NOTE

The stroke of the movable trimming knife is the same as that of the air cylinder.

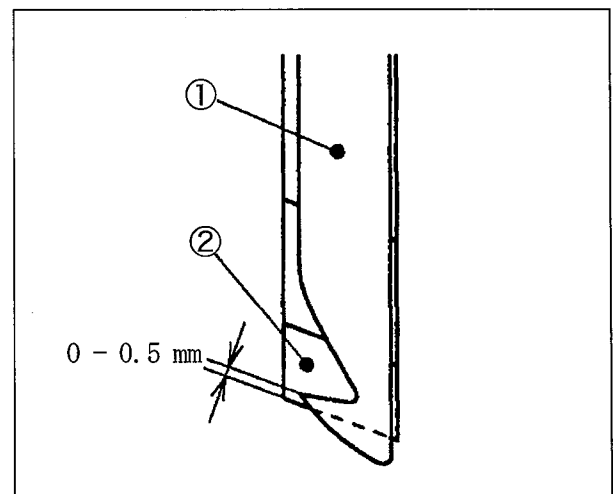


Fig. 37

3.Adjustments

WARNING

ALWAYS turn the motor switch OFF and check that the motor has been already stopped.

3.5.3 Pressure of thread clamp spring

Keep the pressure as low as possible to hold the threads.

- (1) Loosen the nut ③.
- (2) Position the thread clamp spring ② and the movable trimming knife ① to hold the threads cut by the knives. Adjust its pressure with the adjusting screw ④.

To increase the pressure, tighten the adjusting screw ④.

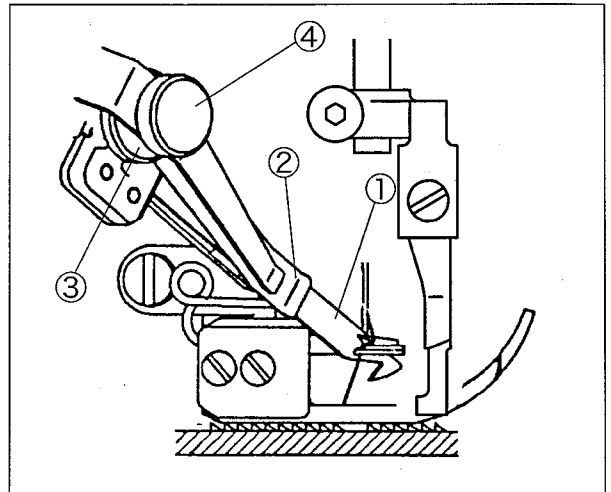


Fig. 38

3.5.4 Adjusting thread pull-off hook unit

- To decrease the thread feeding amount, raise the thread pull-off hook unit ⑤.
- To increase the thread feeding amount, lower it ⑤.

NOTES

1. The feed of the thread should be as much as possible. If not enough, the top cover thread can not be held after cutting.
2. When using stretchable thread like woolly, thread through the top cover thread eyelet ⑥.

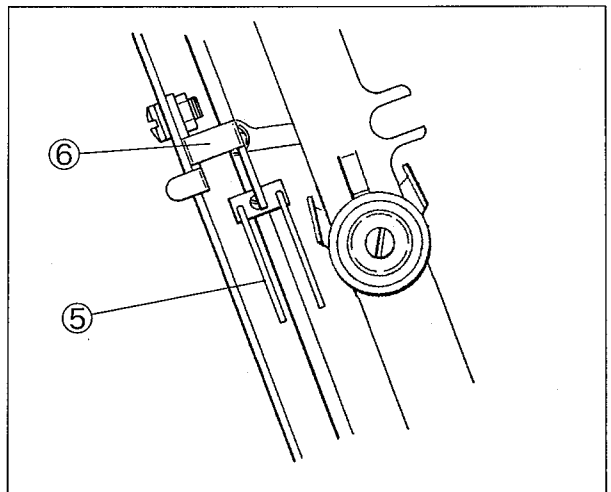
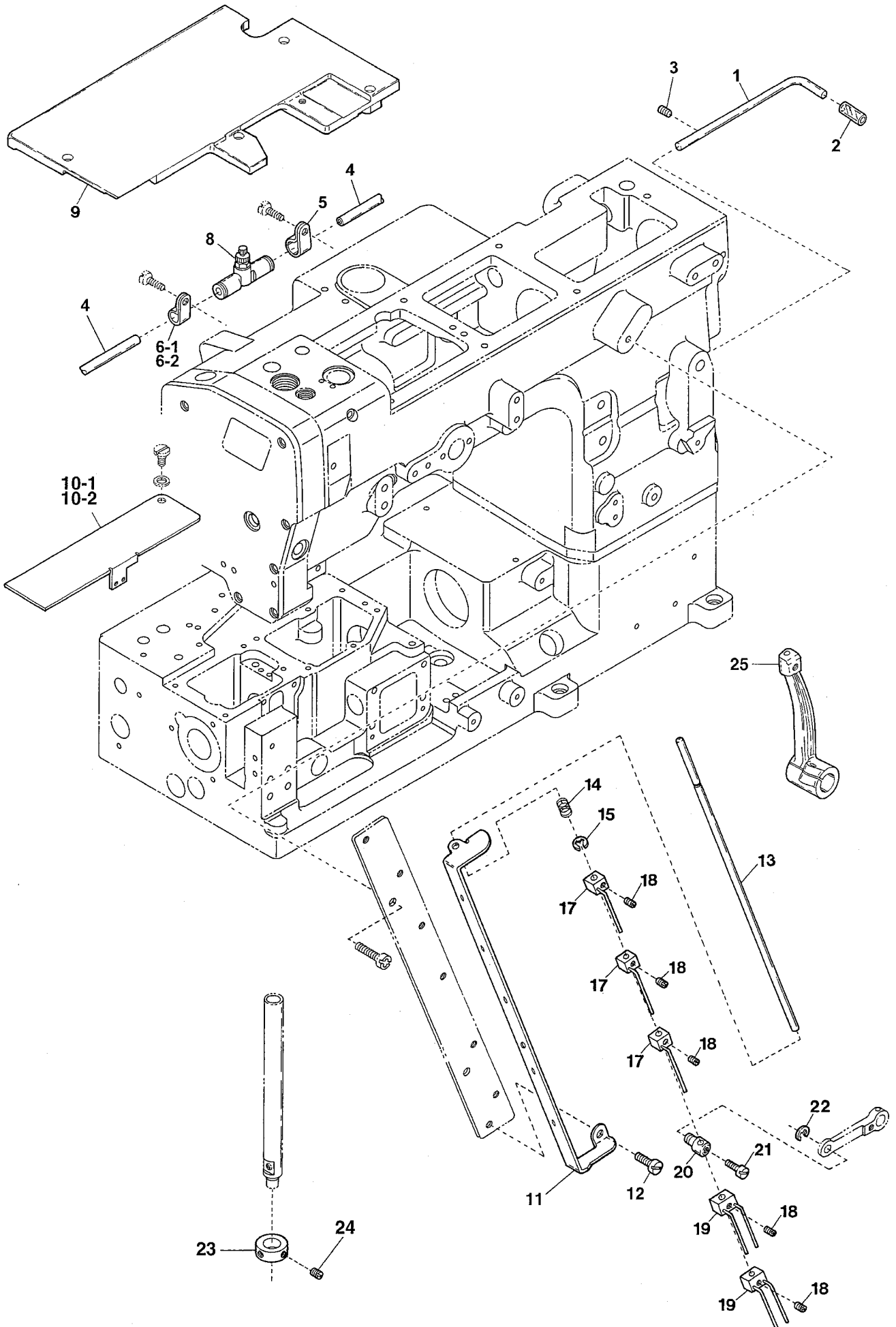


Fig. 39

ILLUSTRATED SPARE PARTS LIST

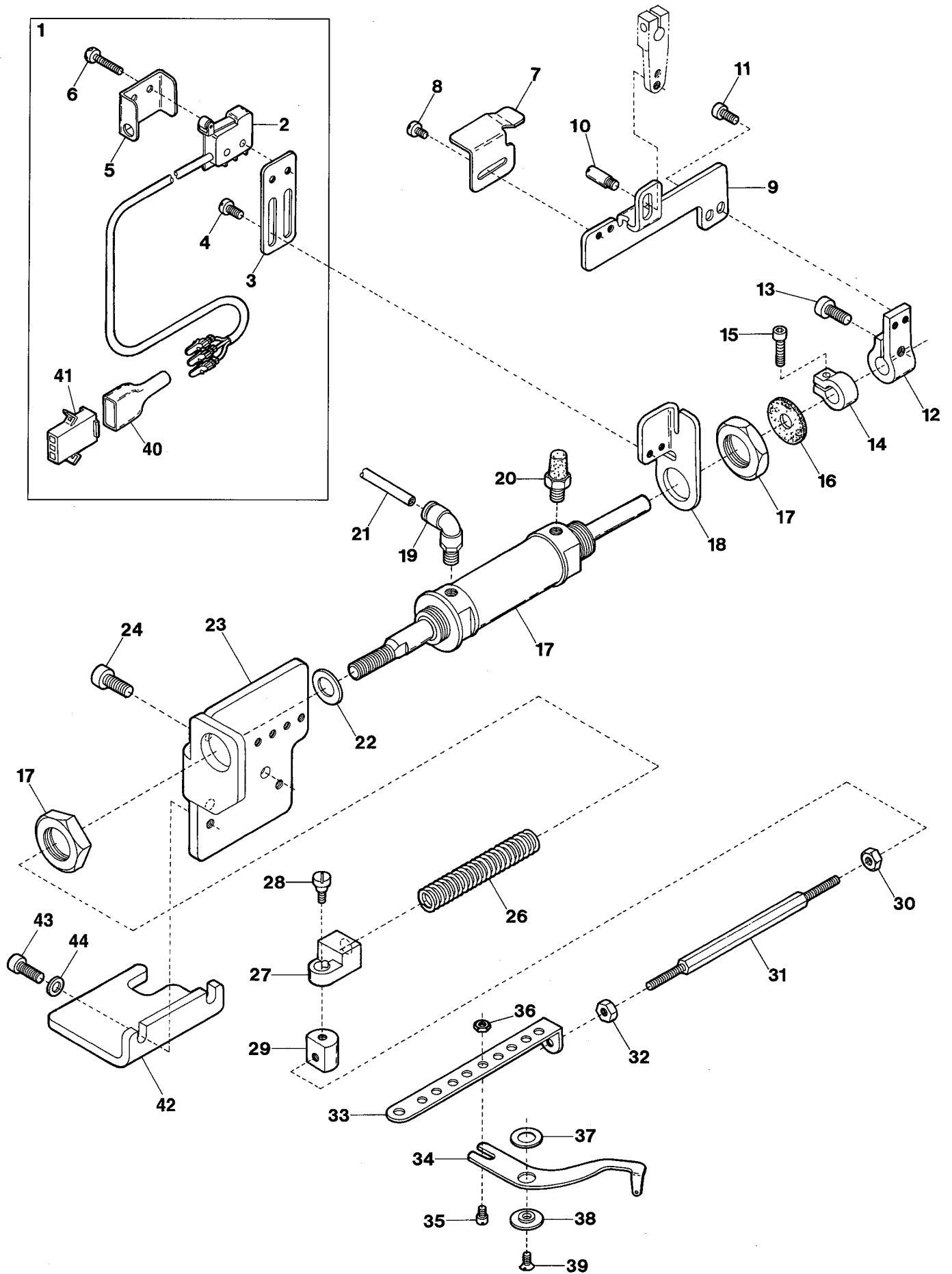
VFS/UT-A

1
UT-A34 DEVICE(1)



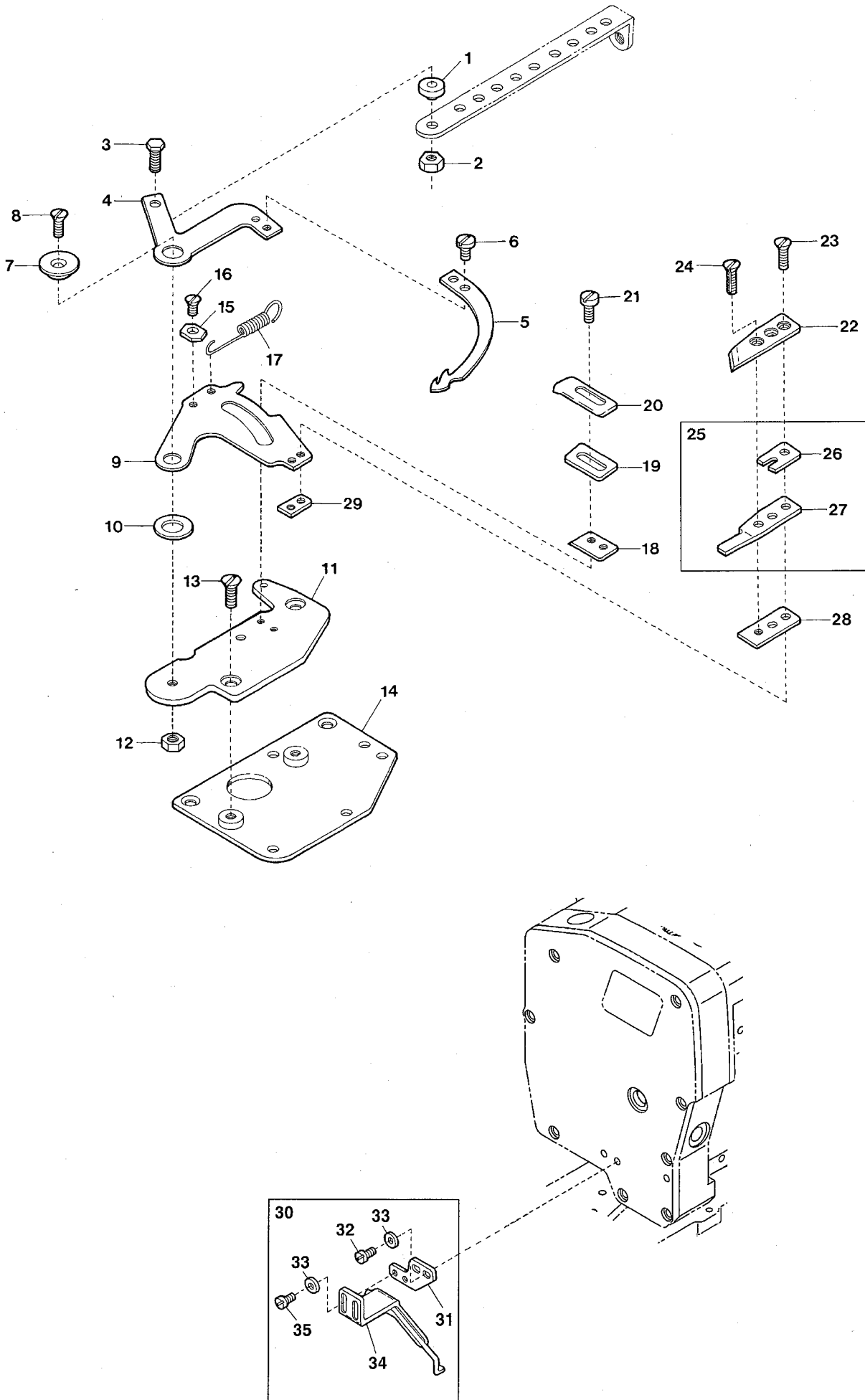
Ref.No	Parts No.	Description	品名	Amt. Req
1	0022836	Synchroniser Positioning Pin	ポジションナピン	1
2	0022837	Synchroniser Cushion	ポジションナピンクッション	1
3	009736	Screw(M4-0.7 × 6)	止ネジ	1
4	1096029	Air Tube(2.5 × 4mm)(Black)	エアチューブ(黒)	-
5	0023381	Cord Clamp(6N- φ 10.6)	コードクランプ	1
6-1	0094491	Cord Clamp(2N- φ 3.4)(UT-A34)	コードクランプ	1
6-2	0063612	Cord Clamp(4N- φ 6.8)(UT-A34/ST-A)	コードクランプ	1
7				
8	1095007	Speed Controller	スピードコントローラ	1
9	3201021	Cloth Plate(Large)	大カバー	1
10-1	3201025	Looper Thread Take-up Cover	カムカバー	1
10-2	3201034	Looper Thread Take-up Cover(64)	カムカバー	1
11	3100529	Thread Pull-off Eyelet	糸緩メ糸道	1
12	110012	Screw(M4-0.7 × 5)	止ネジ	2
13	3500530	Thread Pull-off Bar	糸緩メ棒	1
14	0063076	Swing-proof Spring	糸緩メ棒防振バネ	1
15	0077179	Retaining Ring	ストップリング	1
16				
17	3500514	Thread Pull-off Hook, C. Set	糸緩メフック(組)	3
18	003657	Screw(M4-0.7 × 3)	止ネジ	5
19	3500516	Thread Pull-off Hook, C. Set	糸緩メフック(組)	2
20	0094396	Thread Pull-off Bar Holder	糸緩メ棒連結片	1
21	007006	Screw(9/64-40 × 4)	止ネジ	1
22	0033024	Retaining Ring	ストップリング	1
23	3500360	Collar(9 × 15 × 7.5mm)	カラー	1
24	160001	Screw(M4-0.7 × 4)	止ネジ	2
25	3201026	Looper Holder	ルーパ台	1

2 UT-A34 DEVICE(2)



Ref.No	Parts No.	Description	品名	Amt. Req
1	1066138	Switch, Complete Set	スイッチ(組)	1
2	1066127	Switch	スイッチ	1
3	3500553	Switch Support	スイッチ取付板	1
4	110062	Screw(M3.5-0.6 × 4.5)	止ネジ	2
5	0063609	Switch Cover	スイッチカバー	1
6	009984	Screw(M2.3-0.4 × 10)	止ネジ	2
7	0063608	Switch Guide	スイッチガイド	1
8	110002	Screw(M3-0.5 × 5)	止ネジ	2
9	3201528	Tension Release Connecting Plate	糸緩メ連結板	1
10	180012	Screw(M4-0.7 × 3)	止ネジ	1
11	110009	Screw(M4-0.7 × 8)	止ネジ	2
12	3101588	Tension Release Block	糸緩メブロック	1
13	009980	Screw(M6-1 × 10)	止ネジ	1
14	3100567	Collar	カラー	1
15	120001	Screw(M4-0.7 × 14)	止ネジ	1
16	0014120	Anti-shock Rubber	緩衝ゴム	1
17	1091160	Air Cylinder	エアシリンダ	1
18	3101586	Switch Holder	スイッチ台	1
19	0010057	Elbow Connector(φ 4-PT1/8)	エルボコネクタ	1
20	1097007	Silencer	サイレンサ	1
21	1096029	Air Tube(4 × 2.5mm)(Black)	エアチューブ(黒)	-
22	000498	Washer	ワッシャ	1
23	3201515	Air Cylinder Bracket	エアシリンダ台	1
24	120006	Screw(M6-1 × 12)	止ネジ	2
25				
26	0012071	Cylinder Return Spring	シリンダ戻シバネ	1
27	3201517	Plunger	プランジャ	1
28	006058	Screw(7/32-32 × 6)	止ネジ	1
29	0095391	Trimming Connector	連結桿継手	1
30	000356	Nut(Left-handed Screw)	ナット(左ネジ)	1
31	0094356	Trimming Connecting Rod	糸切り連結棒	1
32	000355	Nut(7/32-32)	ナット	1
33	0094357	Trimming Connecting Plate	糸切り連結板	1
34	3201024	Looper Thread Take-up	ルーパ糸繰り	1
35	009621	Screw(11/64-40 × 4.7)	止ネジ	1
36	000340	Nut	ナット	1
37	0095357	Space Ring	スペースリング	1
38	0095340	Trimming Holder Ring	メス台リング	1
39	005343	Screw(11/64-40 × 6.2)	止ネジ	1
40	0011720	Connector Cover	コネクタカバー	1
41	0010923	Connector	コネクタ	1
42	3201518	Solenoid Valve Guard	電磁弁保護板	1
43	009751	Screw(M5-0.8 × 10)	止ネジ	2
44	000669	Washer	ワッシャ	2

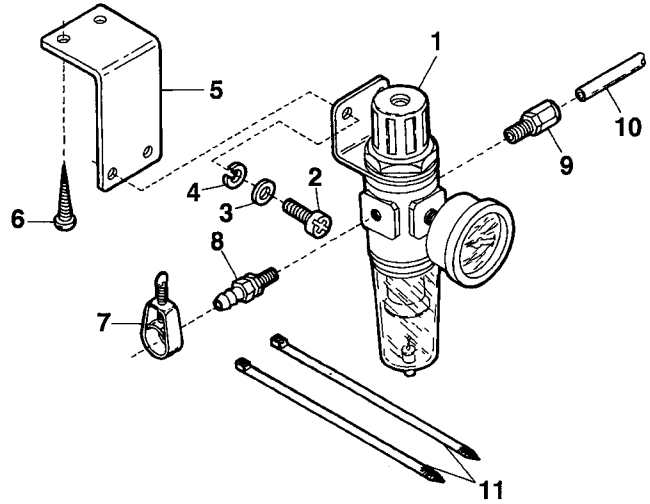
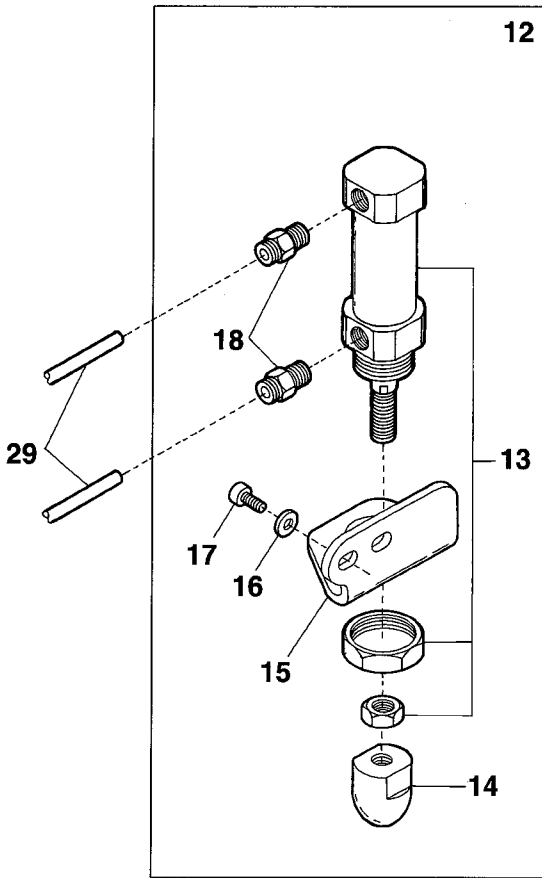
3 UT-A34 DEVICE(3)



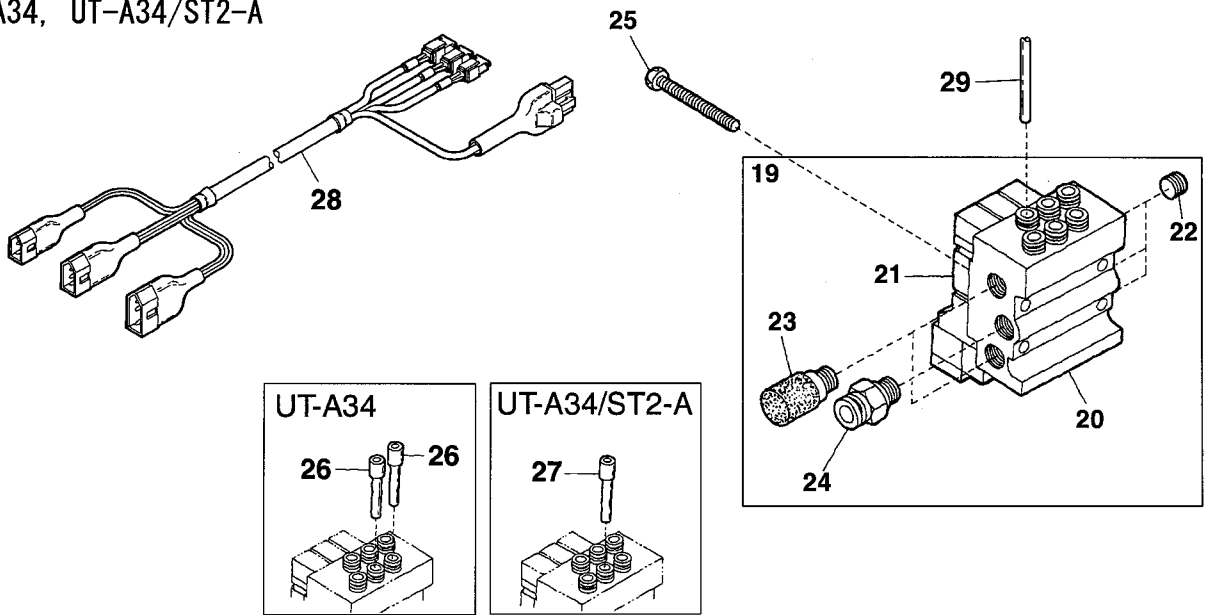
Ref.No	Parts No.	Description	品名	Amt. Req
1	0094358	Lower Knife Carrier Connector	下メス台継手	1
2	000338	Nut	ナット	1
3	005526	Screw(5/32-40 × 9.3)	止ネジ	1
4	0095342	Lower Knife Carrier	下メス台	1
5	0095399	Lower Knife	下メス	1
6	005044	Screw(1/8-44 × 2.4)	止ネジ	2
7	0095340	Trimming Holder Ring	メス台リング	1
8	005345	Screw(11/64-40 × 8.3)	止ネジ	1
9	0095341	Upper Knife Carrier	上メス台	1
10	0095343	Space Ring	スペースリング	1
11	3201023	Trimming Device Bracket	UT 装置ブラケット	1
12	000340	Nut	ナット	1
13	130003	Screw(M4-0.7 × 7.3)	止ネジ	2
14	3201022	Bed Top Cover(Right)	ベッド上カバー(右)	1
15	0094410	Hexagonal Stop Plate	下メス台ストッパ	1
16	005431	Screw(1/8-44 × 4.4)	止ネジ	1
17	0094477	Lower Knife Carrieer Spring	下メス台バネ	1
18	0094418	Stop Washer	ストップワッシャ	1
19	0094403	Upper Knife Carrier Stop(Small)	上メス台ストッパ(小)	1
20	0094406	Upper Knife Carrier Stop(Large)	上メス台ストッパ(大)	1
21	004317	Screw(1/8-44 × 4.8)	止ネジ	2
22	0094417	Upper Knife	上メス	1
23	005112	Screw(3/32-56 × 6)	止ネジ	2
24	005422	Screw(3/32-56 × 4)	止ネジ	1
25	0095362	Clamp Spring, Complete Set	糸挟ミバネ(組)	1
26	0094415	Upper Knife Spacer	上メススペーサ	1
27	0095361	Clamp Spring	糸挟ミバネ	1
28	0094413	Clamp Spring Counter Plate	糸挟ミバネ調節片	1
29	0094412	Upper Knife Nut	上メスナット	1
30	3161003	Air Wiper, C. Set(2)	エアワイパ(組2)	1
31	3151011	Air Wiper Support	エアワイパ取付板	1
32	110080	Screw(M4-0.7 × 8)	止ネジ	2
33	000538	Washer	ワッシャ	4
34	3161004	Air Wiper	エアワイパ	1
35	110009	Screw(M4-0.7 × 8)	止ネジ	2

4

UT-A34 DEVICE(4)

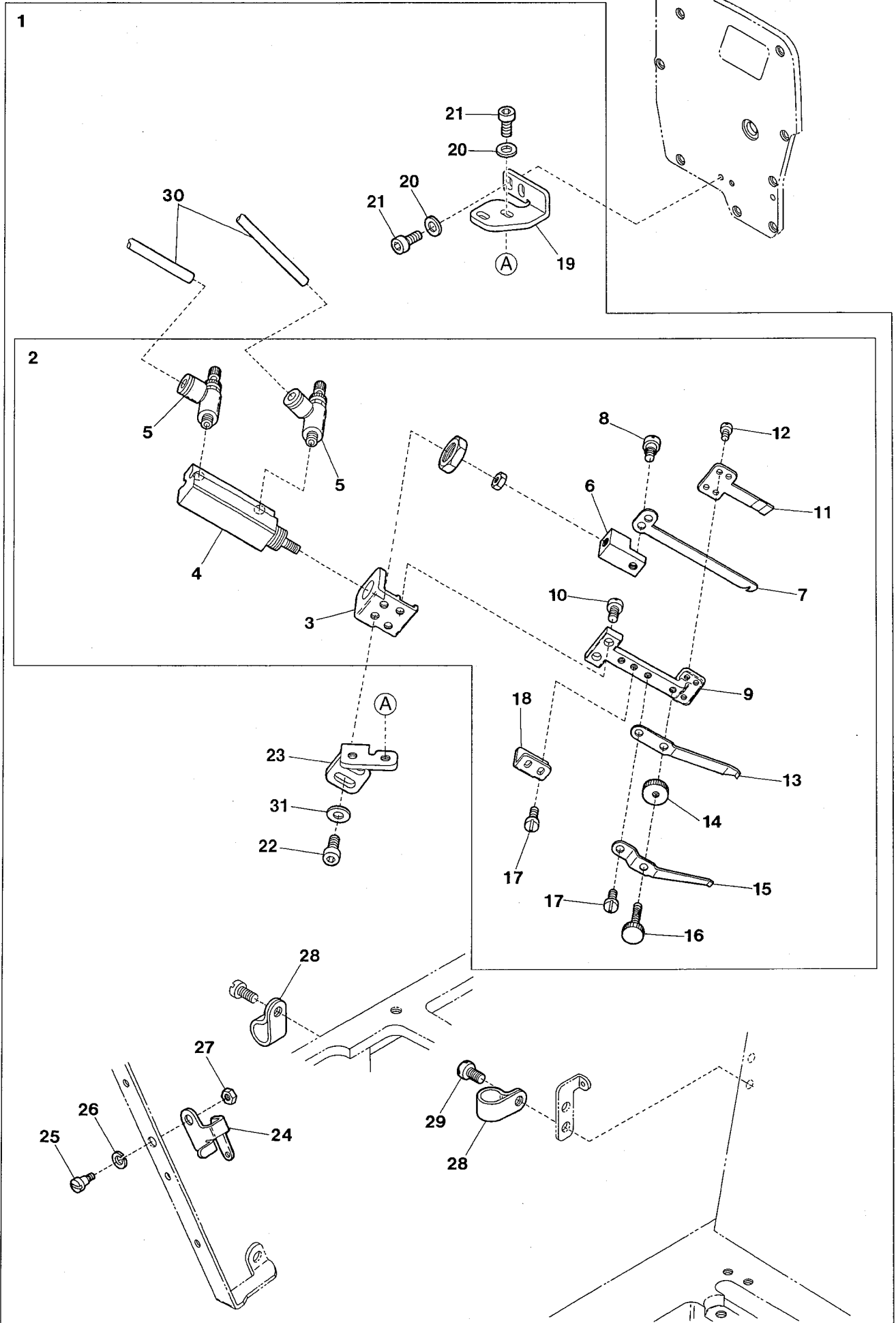


UT-A34, UT-A34/ST2-A



Ref.No	Parts No.	Description	品 名	Amt. Req
1	1097009	Regulator	レギュレータ	1
2	110017	Screw(M5-0.8 × 8)	止ネジ	2
3	000426	Washer	ワッシャ	2
4	000600	Spring Washer	スプリングワッシャ	2
5	1253240	Regulator Support	レギュレータ取付板	1
6	006905	Wood Screw(ϕ 5.1 × 20)	木ネジ	2
7	1098015	Hose Band	ホースバンド	1
8	0010108	Hose Union	ホースユニオン	1
9	0010264	Connector(ϕ 6-PT1/4)	コネクタ	1
10	1096030	Air Tube(6 × 4mm)(Black)	エアチューブ(黒)	-
11	0011795	Wrapping Band(2.3 × 92)	束線バンド	2
12	3500550	Presser Foot Lifter Cylinder, C. Set	押工揚ゲシリンダ(組)	1
13	1091146	Air Cylinder	押工揚ゲシリンダ	1
14	3201037	Cylinder Rod Chip	シリンダロッドチップ	1
15	3500505	Cylinder Bracket	シリンダ台	1
16	000425	Washer	ワッシャ	2
17	120013	Screw(M6-1 × 15)	止ネジ	2
18	0010055	Connector(ϕ 4-PT1/8)	コネクタ	2
19	1090248	Solenoid Valve, C. Set	電磁弁(組)	1
20	1090185	Manifold	マニフォルド	1
21	1090242	Solenoid Valve	電磁弁	3
22	0010119	Blank Plug	メクラプラグ	3
23	1097007	Silencer	サイレンサ	2
24	1094056	Connector(ϕ 6-PT1/8)	コネクタ	1
25	110089	Screw(M4-0.7 × 35)	止ネジ	2
26	1094055	Plug	プラグ	2
27	1094055	Plug	プラグ	1
28	1200452	Intermediate Cable	中継ケーブル	1

ST2-A DEVICE



Ref.No	Parts No.	Description	品 名	Amt. Req
1	3519903	ST2-A Device, C. Set	ST2-A装置(組)	1
2	3101800	Trimming Device, Complete Set	メス装置(組)	1
3	3101805	Bracket	ブラケット	1
4	1091145	Air Cylinder	エアシリンダ	1
5	1095001	Speed Controller	スピードコントローラ	2
6	3101809	Movable Trimming Knife Holder	動メス台	1
7	3101801	Movable Trimming Knife	動メス	1
8	270019	Screw(1/8-44 × 3)	止ネジ	1
9	3101806	Knife Guide	メスガイド	1
10	110001	Screw(M4-0.7 × 5.4)	止ネジ	2
11	3101802	Fixed Trimming Knife	固定メス	1
12	110023	Screw(M2-0.4 × 3.5)	止ネジ	4
13	3101810	Thread Clamp	糸挟ミ	1
14	100058	Nut	ナット	1
15	3101808	Thread Clamp Spring	糸挟ミバネ	1
16	009791	Adjusting Screw(M3-0.5 × 6)	調節ネジ	1
17	110054	Screw(M3-0.5 × 3.5)	止ネジ	3
18	3101804	Holder Support	動メス台支エ	1
19	3510101	Positioning Plate(Upper)	位置決め板(上)	1
20	000665	Washer	ワッシャ	4
21	120052	Screw(M4-0.7 × 10)	止ネジ	4
22	006202	Screw(M4-0.7 × 6)	止ネジ	2
23	3161011	Positioning Plate(Lower)	位置決め板(下)	1
24	3100711	Top Cover Thread Eyelet	飾り糸道	1
25	006035	Screw(9/64-40 × 7)	止ネジ	1
26	000644	Spring Washer	スプリングワッシャ	1
27	000322	Nut	ナット	1
28	0036133	Cord Clamp(5N- Φ 8.4)	コードクランプ	2
29	110013	Screw(M4-0.7 × 8)	止ネジ	1
30	1096029	Air Tube(4 × 2.5mm)(Black)	エアチューブ(黒)	-
31	001123	Washer	ワッシャ	2

Yamato

ヤマトマシン製造株式会社

YAMATO SEWING MACHINE MFG. CO., LTD.

4-4-12, NISHITENMA, KITA-KU, OSAKA, JAPAN
TEL : 81-6-6364-1321 FAX : 81-6-6364-1307

〒530-0047 大阪市北区西天満4丁目4番12号
TEL(06)6364-1321(代) FAX(06)6365-5176