

取扱説明書は全て保管しておいて下さい。
安全にお使い頂くため、
最後までよくお読みになってからご使用下さい。

SAVE ALL INSTRUCTION MANUALS.
READ and UNDERSTAND
THOROUGHLY to OPERATE for SAFE USE.

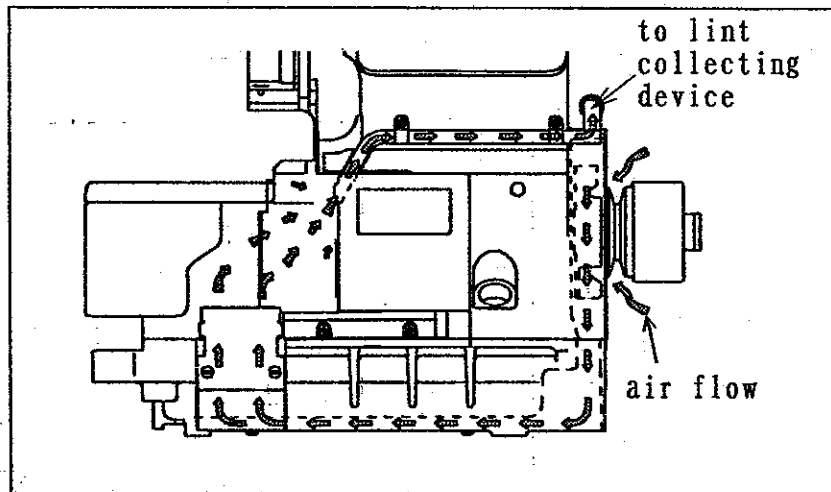


ヤマトミシン製造株式会社
YAMATO SEWING MACHINE MFG. CO., LTD.

1 . About SC10 device

1-1 Outline

Self cleaning system(SC10) for AZ-G · AZF-G series eliminates becoming dusty around lower knife holder and under the stitch plate by trimming material and the while sewing. It contributes to clean and comfortable environment for sewing operator. And also, the system makes maintenance easier and contributes to prevent troubles caused by the lint.



1-2 Adjusting amount of ventilation

The amount of ventilation can be adjusted according to sewing speed and sewing condition.

It can be adjusted in 3 steps by the position of air deflector①.

[A.] Under normal conditions, set air deflector① as the fig.1 at left below.

[B.] For the occasion that sewing with high speed and less dust, set air deflector① on the bottom of oil reservoir as the fig.2 at right below.

[C.] Remove the air deflector① from the oil reservoir to do not use SC10.

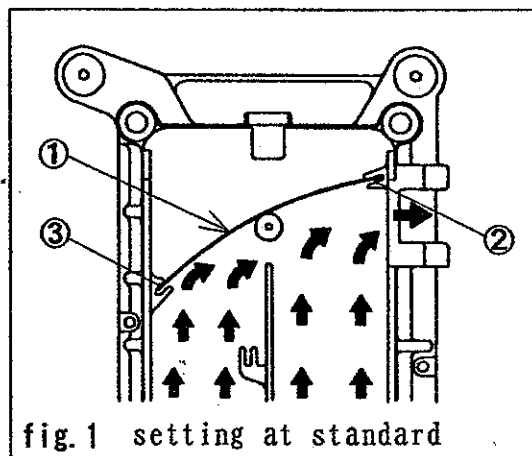


fig.1 setting at standard

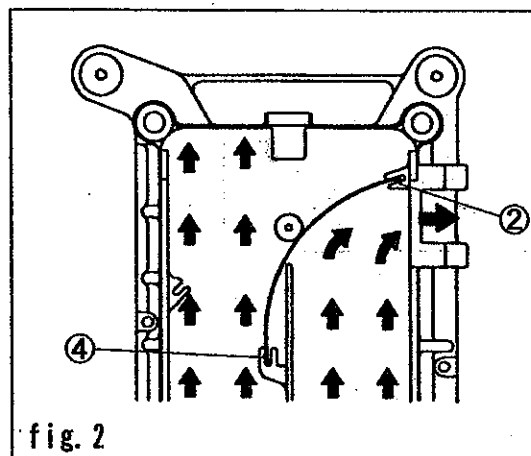


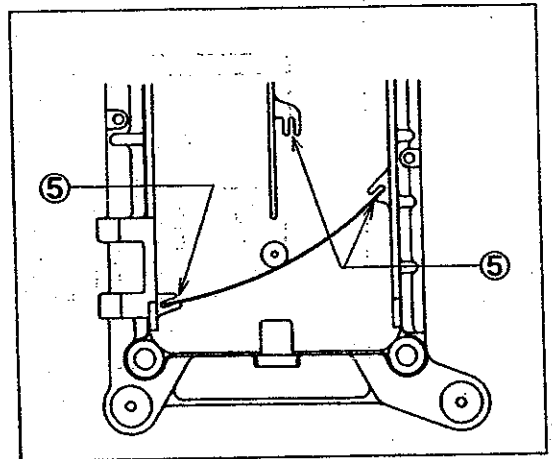
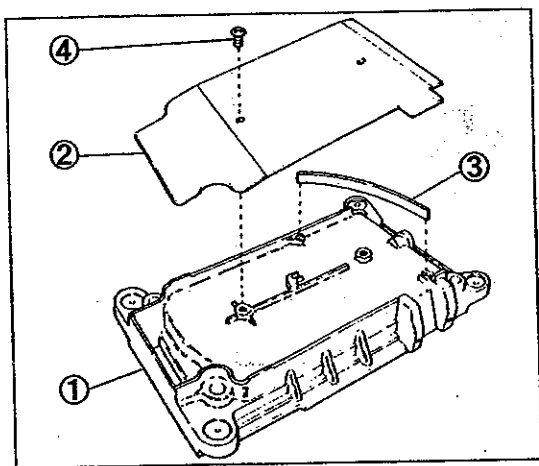
fig.2

For adjustment, pull out air deflector① from guide② and ③ then install into guide② and ④.

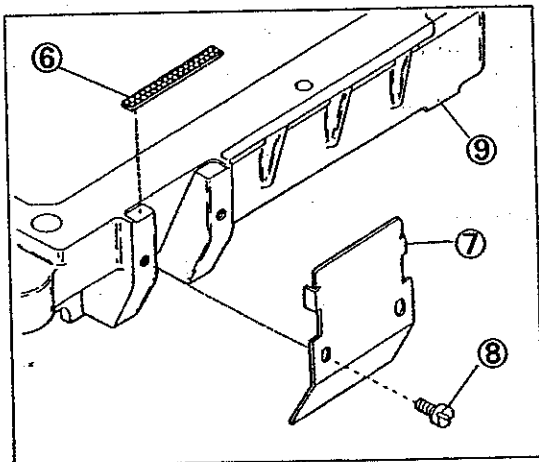
2. Installation

2-1 Installation of oil deflector

1. Drain oil from machine.
2. Tilt the machine back.
3. Loosen two screws④ and remove the wind guide plate②.
4. Install the air deflector③ to the guide⑤ of oil reservoir① for SC10 securely.
5. Install the wind guide plate② for SC10 to the oil reservoir①.
6. Right side up the machine and pour the oil into the machine.



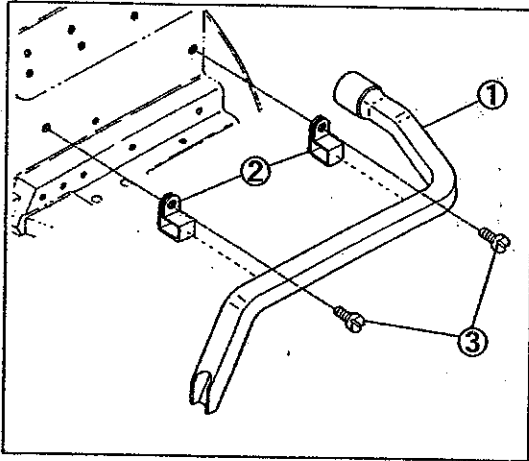
2-2 Installation of blowing hole



1. Place the blowing hole screen⑥ on to oil reservoir⑨.
2. Fix the wind guide plate(front)⑦ with holding the blowing hole screen⑥ where on the oil reservoir⑨ with two screws⑧.

2. Installation

2-3 Installation of lint removal pipe



1. Put two pipe clamps together to the lint removal pipe①.
2. Install lint removal pipe① and pipe clamps② on the machine frame with two screws③.
3. Connect lint removal pipe to the lint collecting device.

NOTE

Suction is not enough when connecting another device such as Air Chain Cutter to one lint collecting device for SC10.

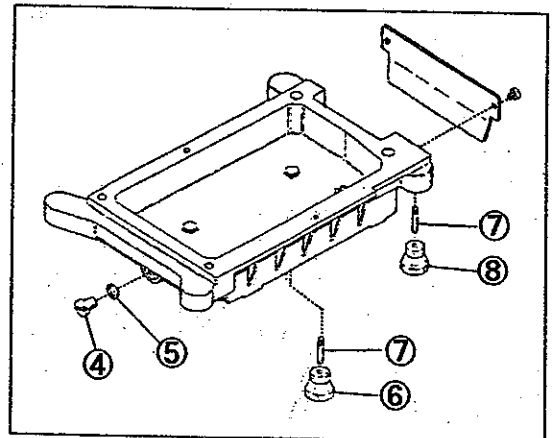
For using ventilation, air pressure should be 0.2Mpa(2kgf/cm²) and more.

NOTICE

For the machine equipped with following parts ; oil reservoir(2100863), wind guide plate(2100004) and front cover hinge(2100855), exchange those parts to the parts for SC10.

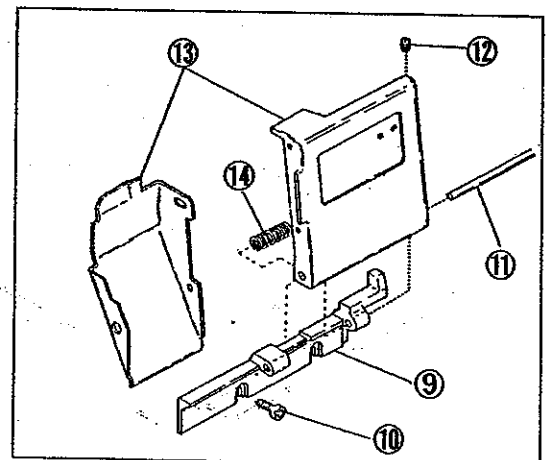
* Exchange of oil reservoir

1. Uninstall oil reservoir from machine and reassemble parts : drain hole screw④⑤ and oil reservoir rubber cushion⑥⑦⑧, then install those parts on the oil reservoir for SC10.
2. Install the wind guide plate for SC10 on the oil reservoir of SC10.



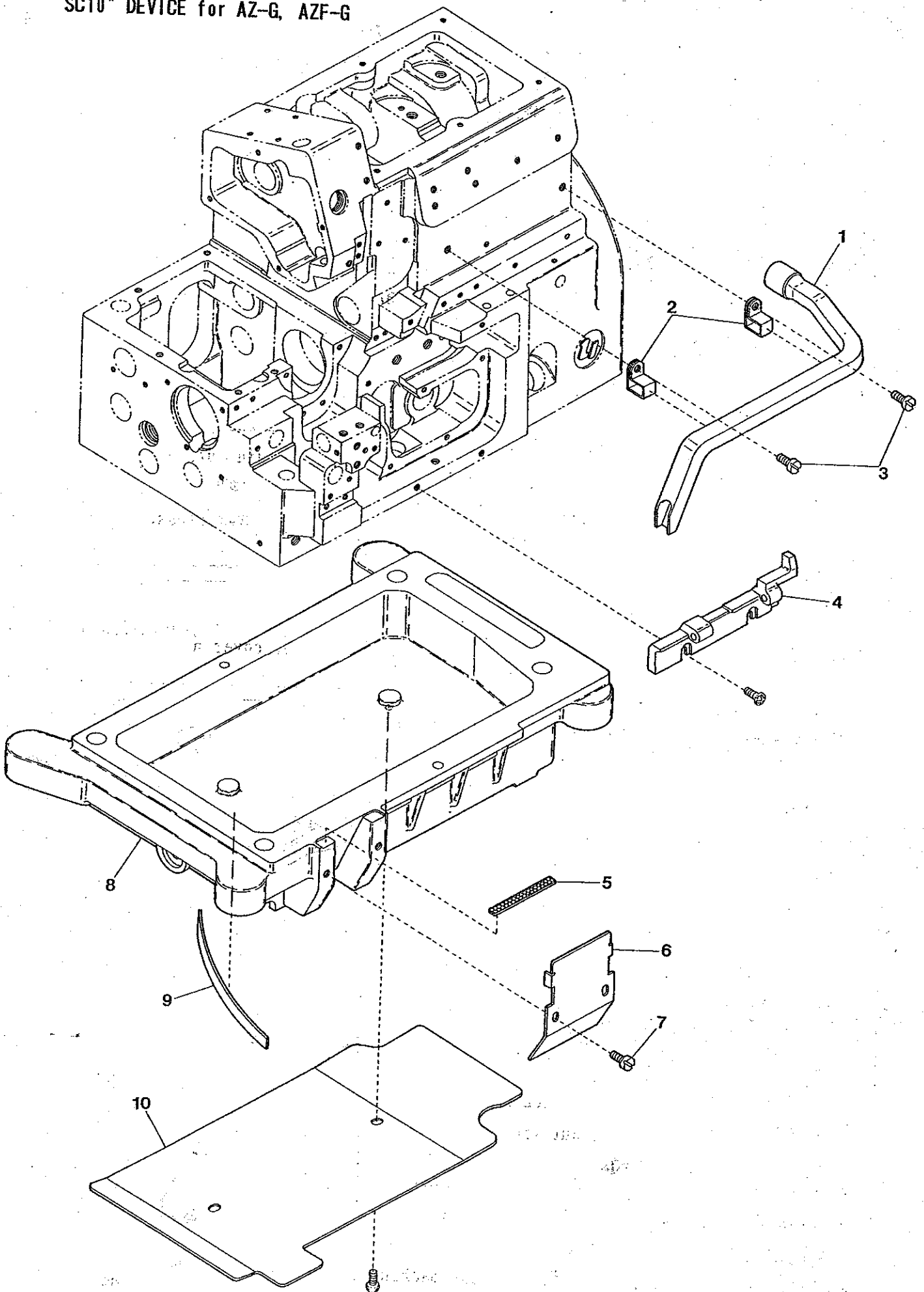
* Exchange of front cover

1. Loosen three screws⑩ to uninstall front cover⑬ assembly from the machine.
2. Loosen screw⑫ and pull out front cover hinge pin⑪ from set cover⑬ and hinge⑨ apart.
3. Exchange front cover hinge⑨ for SC10 and assemble hinge pin⑪, sprig⑭ and front cover⑬.
4. Install front cover⑬ assembly to the machine.



1

"SC10" DEVICE for AZ-G, AZF-G



"SC10" DEVICE for AZ-G, AZF-G

"SC10"装置

Ref. No.	Parts No.	Description	品名	Amt. Req.
1	2151067	Lint Removal Pipe	集塵パイプ	1
2	2151066	Pipe Clamp	パイプ固定バンド	2
3	110094	Screw (M4-0.7×6)	止ネジ	2
4	2151055	Front Cover Hinge	前開キカバーヒンジ	1
5	2151059	Blowing Hole Screen	吹き出シ口板	1
6	2151057	Wind Guide Plate (Front)	風案内板(前)	1
7	110001	Screw (M4-0.7×5.4)	止ネジ	2
8	2151054	Oil Reservoir	油受ケ	1
9	2151058	Air Deflector	風調整板	1
10	2151056	Wind Guide Plate	風案内板	1