

AZ8022G

折りコバ・ステッチ用
2本針新型擬似安全巻縫いミシン
2 NEEDLE MOCK SAFETY STITCH MACHINE
FOR SERGING AND TOP-STITCHING
WITH HEMMING IN ONE OPERATION

AZ8000Gの取扱説明書と調整が異なる部分を記載しています。

AZ8000Gの取扱説明書とあわせてご使用下さい。

Adjustments different with AZ8000G are mentioned in this book.

Read this book in combination with INSTRUCTIONS of AZ8000G.

取扱説明書は全て保管しておいて下さい。

安全にお使い頂くため、

最後までよくお読みになってからご使用下さい。

SAVE ALL INSTRUCTION MANUALS.

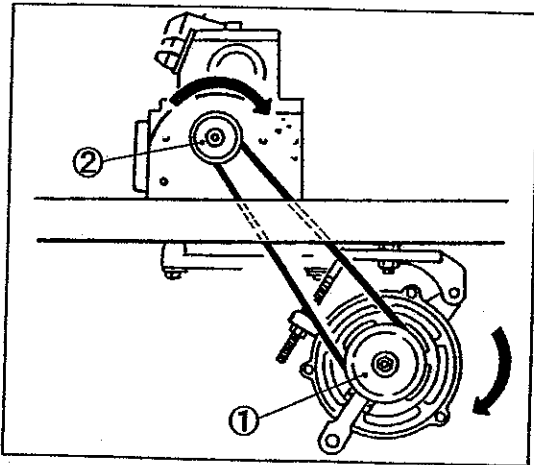
READ and UNDERSTAND

THOROUGHLY to OPERATE for SAFE USE.



ヤマトミシン製造株式会社
YAMATO SEWING MACHINE MFG. CO., LTD.

1 . Sewing speed and rotating direction of pulley



The maximum sewing speed is shown at the table below.

To ensure long service life under good conditions, your new machine should be run with the cycle lowered 15 - 20 % of the maximum cycle during the first 200 hours (approximately one month).

The rotating direction of the motor pulley① and the machine pulley② is clockwise as shown in the figure.

⚠ CAUTION

If the pulley is reversed, oil can not be supplied properly. It may cause the machine trouble.

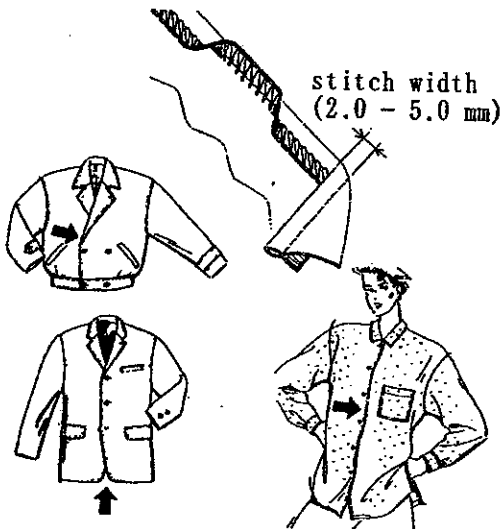
| Maximum sewing speed (s.p.m.) | |
|-------------------------------|------|
| AZ8022G | 6500 |

2. Adjustment of sewing machine

WARNING

ALWAYS turn OFF the motor switch and check that the motor stops before adjustment.

2-1 Serging and top-stitching with hemming

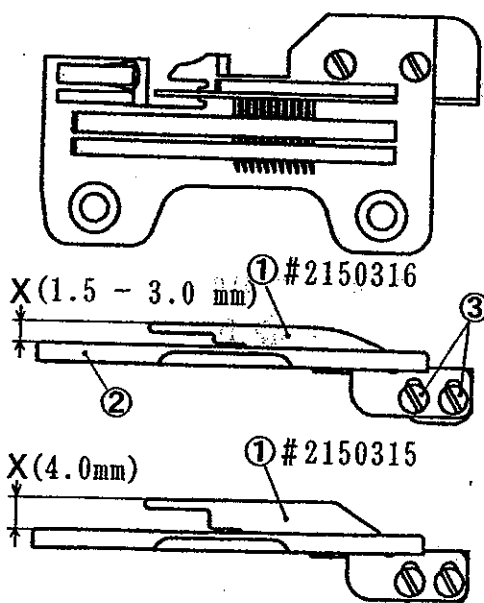


On conventional method for making front facing of dress-shirts, blouses and working wear, it takes two different operations—serging and top-stitching with hemming.

Today, you can do same job in "ONE OPERATION" by this machine with mock safety stitch, special presser foot and special guide in stitch plate. Only loading material, the machine does serging top-stitching and hemming simultaneously, and with high quality. The machine is suitable not only for making front facing and also for book seaming on suit coats.

The stitch width of top-stitching is adjustable from 2.0 - 4.0 mm depending on the weight and kind of material, application and so on. And also, sewing with the optional fabric guide #2150315 enables to obtain the stitch width of 4.0 - 5.0 mm.

2-2 Adjustment of fabric guide for each stitch width



☆ Standard stitch width

(for medium weight material)

| stitch width | height of fabric guide (X) | Part No. |
|--------------|----------------------------|----------|
| 2.0 mm | 1.5 mm | 2150316 |
| 2.5 mm | 2.0 mm | 2150316 |
| 3.0 mm | 2.5 mm | 2150316 |
| 4.0 mm | 3.0 mm | 2150316 |
| 5.0 mm | 4.0 mm | 2150315 |

Remove the stitch plate② and loosen the screw③ then adjust the height of the fabric guide①. Set the fabric guide① in parallel with the top surface of stitch plate.

2. Adjustment of sewing machine



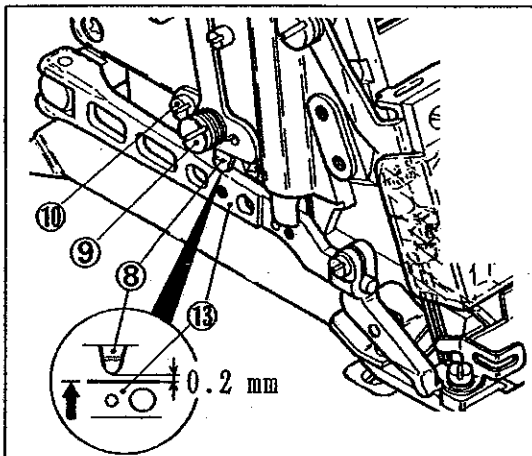
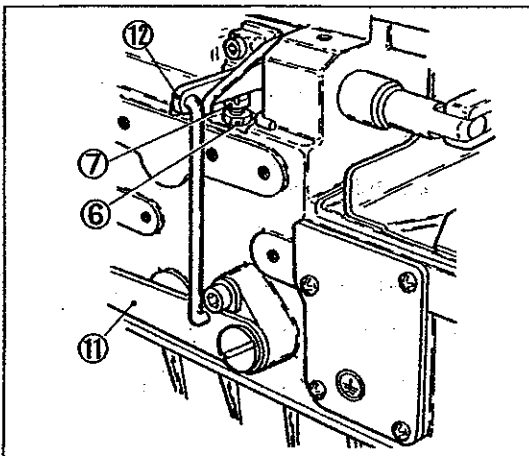
WARNING

ALWAYS turn OFF the motor switch and check that the motor stops before adjustment.

2-3 Presser foot for light weight material

For sewing light weight fabric, use the presser foot with narrow width of its grooves. Part No. is 2157157. Refer to the following parts list.

2-4 Adjustment of lifting amount of presser foot



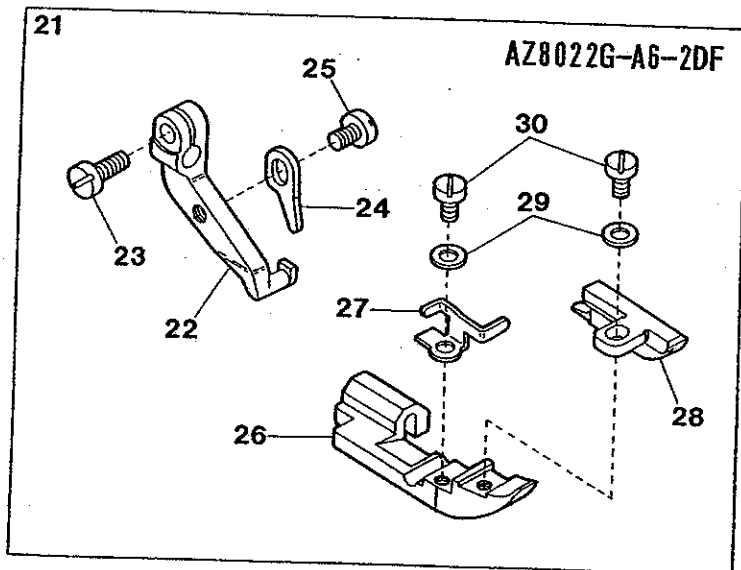
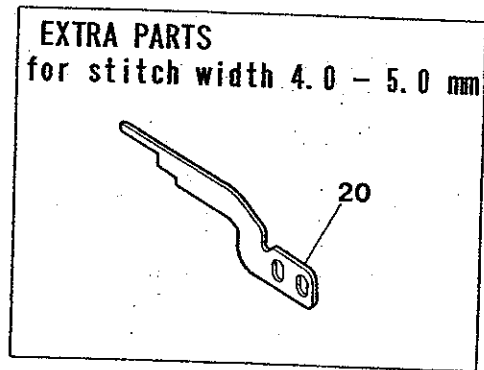
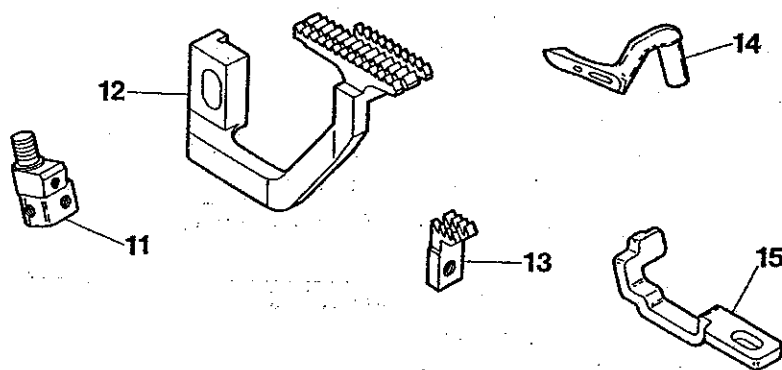
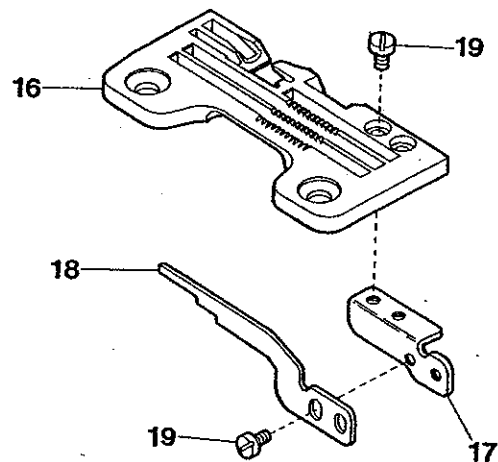
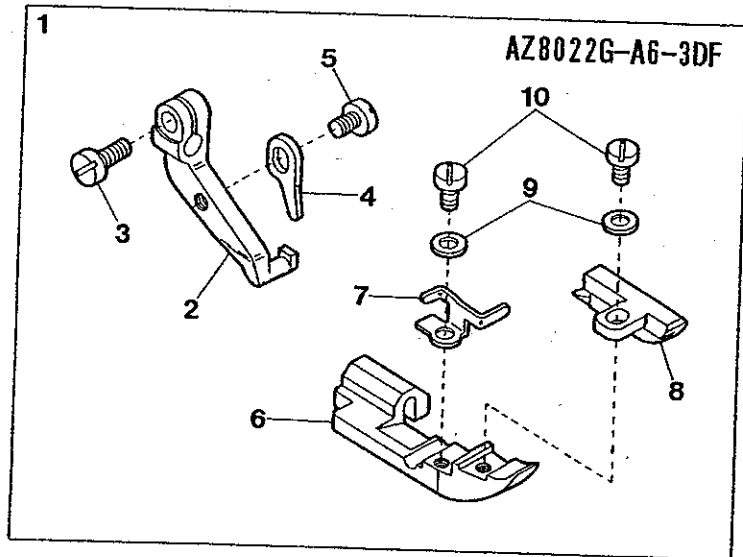
Maximum lifting amount of presser foot is 6.0mm.

1. Loosen the lock nut ⑥ and turn the screw ⑦ clockwise.
2. Loosen the screw ⑨ and ⑩ on the stopper ⑧ of presser foot arm.
3. Push down the presser foot lever ⑪ and make its bottom surface to be in parallel with the stitch plate and place the presser foot 6.0 mm above the top surface of stitch plate.
4. With the presser foot is lifted up 6.0 mm, apply the screw ⑦ to the bottom surface of the lever ⑫ of presser foot bar.
5. Tighten the lock nut ⑥.
6. With the presser foot is lifted up 6.0 mm, make the clearance of 0.2 mm between the presser foot arm ⑬ and the stopper ⑧.
7. Tighten the screws ⑨ and ⑩ for the stopper ⑧.

3. Specifications

| | |
|------------------------------------|--|
| Model | AZ8022G-A6-3DF |
| Dimensions | 380(L) × 245(W) × 310(H) mm |
| Weight | 27kg |
| Construction | Dust-proof, Oil-tight and Completely Sealed |
| Stitch Type | 512 |
| Application | Mock safety stitch machine for serging and top-stitching with hemming in one operation |
| Sewing Speed | Up to 6,500 s.p.m. |
| Stitch Length | 1.0 - 4.0 mm 6.5 - 25 stitches per inch 7.5 - 30 stitches per 30 mm |
| Needle System | DC×1, Size 60 - 90 (#8 - 14) |
| Needle Stroke | 23.7 mm |
| Presser Foot Lift | 4.5 mm (max.) |
| Adjustment of Feeding Mode | Push Button System |
| Differential Ratio | Normal Differential (Gathering) 1 : 2.3 (max.) Reverse Differential (Stretching) 1 : 0.7 (max.) |
| Adjustment of Differential Feeding | Differential feed can be easily and quickly adjusted by Lever or Micro-Adjuster |
| Knives for Cutting Fabric | Lower Knife : Flat Type, made of Special Steel Upper Knife : Flat or Angled Type, made of Super Hard Alloy |
| Lubrication | Automatic Lubrication System (Forced fed by Trochoide-shaped Pump) |
| Lubrication Oil | YAMATO SF OIL No.28 |
| Capacity of Oil Reservoir | 900cc |
| Installation | Table top type Fully-submerged type / Semi-submerged type |

AZ8022G-A6-3DF, A6-2DF



AZ00220-A6-3DF, A6-2DF EXCLUSIVE PARTS

サブモデル専用部品

| Ref. No. | Parts No. | Description | 品名 | Amt. Req. |
|----------|-----------|------------------------------|---------|-----------|
| 1 | 2157156 | Presser Foot, C. Set(A6-3DF) | 押エ(組) | 1 |
| 2 | 2157000 | Presser Foot Hinge | 押エヒンジ | 1 |
| 3 | 110004 | Screw(M3.5-0.6×8) | 止ネジ | 1 |
| 4 | 2157041 | Presser Foot Half-stay | 半固定片 | 1 |
| 5 | 110050 | Screw(M3.5-0.6×4.5) | 止ネジ | 1 |
| 6 | 2107719 | Presser Foot(Lower) | 押エ(下) | 1 |
| 7 | 2107640 | Finger Guard | フィンガガード | 1 |
| 8 | 2107720 | Presser Foot Stitch Tongue | 爪 | 1 |
| 9 | 000444 | Washer | ワッシャ | 2 |
| 10 | 005036 | Screw(1/8-44×5.6) | 止ネジ | 2 |
| 11 | 2159103 | Needle Clamp(A) | 針止メ | 1 |
| 12 | 2159007 | Differential Feed Dog | 前送り | 1 |
| 13 | 2109052 | Auxiliary Feed Dog | 小送り | 1 |
| 14 | 2109341 | Upper Loper | 上ルーパ | 1 |
| 15 | 2109202 | Needle Guard(Front) | 針受け(前) | 1 |
| 16 | 2158008 | Stitch Plate(A6) | 針板 | 1 |
| 17 | 2100499 | Fabric Guide Holder | 布ガイド台 | 1 |
| 18 | 2150316 | Fabric Guide | 布ガイド | 1 |
| 19 | 004218 | Screw(3/32-56×1.6) | 止ネジ | 4 |
| 20 | 2150135 | Fabric Guide | 布ガイド | 1 |
| 21 | 2157157 | Presser Foot, C. Set(A6-2DF) | 押エ(組) | 1 |
| 22 | 2157000 | Presser Foot Hinge | 押エヒンジ | 1 |
| 23 | 110004 | Screw(M3.5-0.6×8) | 止ネジ | 1 |
| 24 | 2157041 | Presser Foot Half-stay | 半固定片 | 1 |
| 25 | 110050 | Screw(M3.5-0.6×4.5) | 止ネジ | 1 |
| 26 | 2107723 | Presser Foot(Lower) | 押エ(下) | 1 |
| 27 | 2107640 | Finger Guard | フィンガガード | 1 |
| 28 | 2107724 | Presser Foot Stitch Tongue | 爪 | 1 |
| 29 | 000444 | Washer | ワッシャ | 2 |
| 30 | 005036 | Screw(1/8-44×5.6) | 止ネジ | 2 |