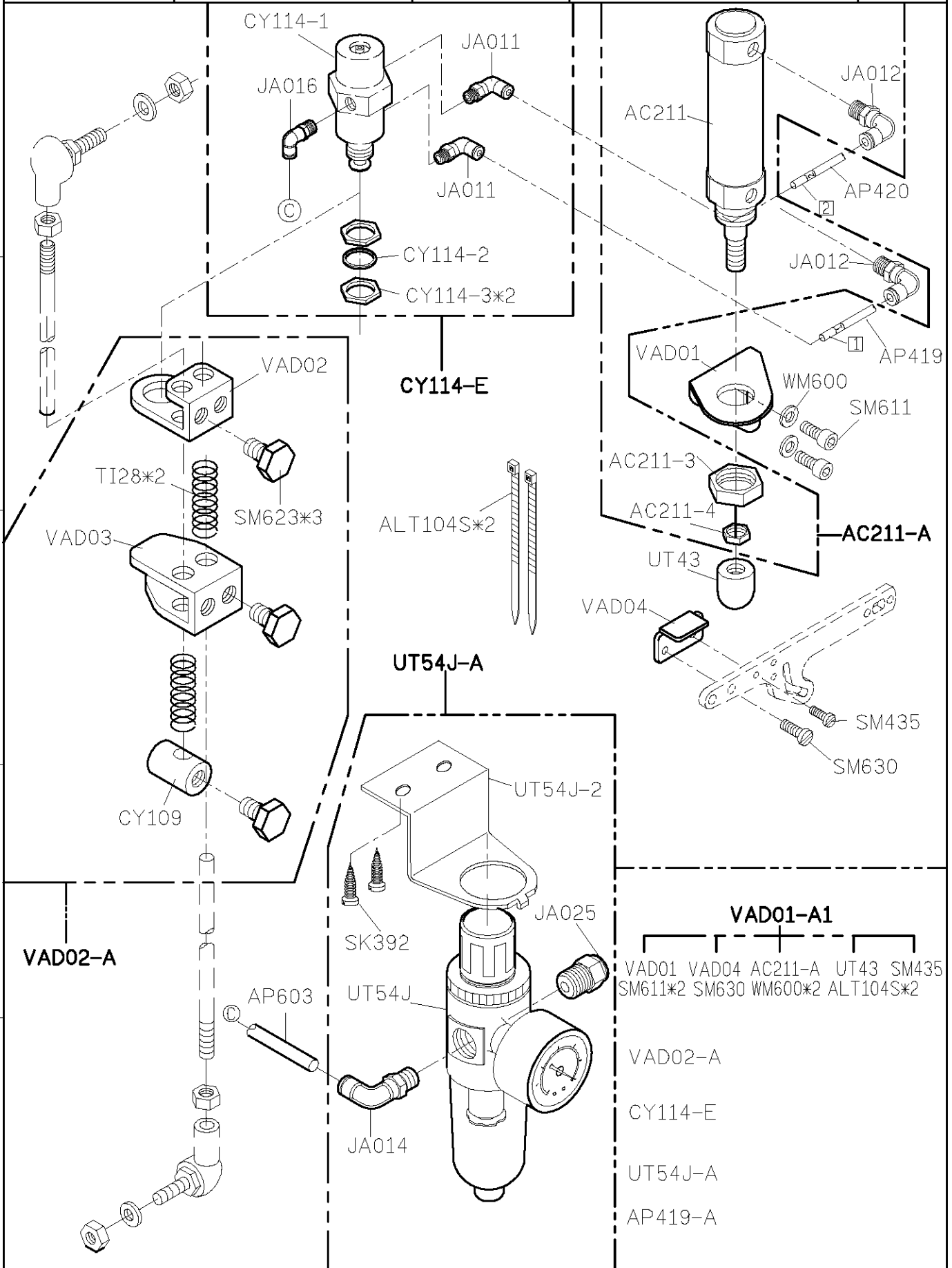
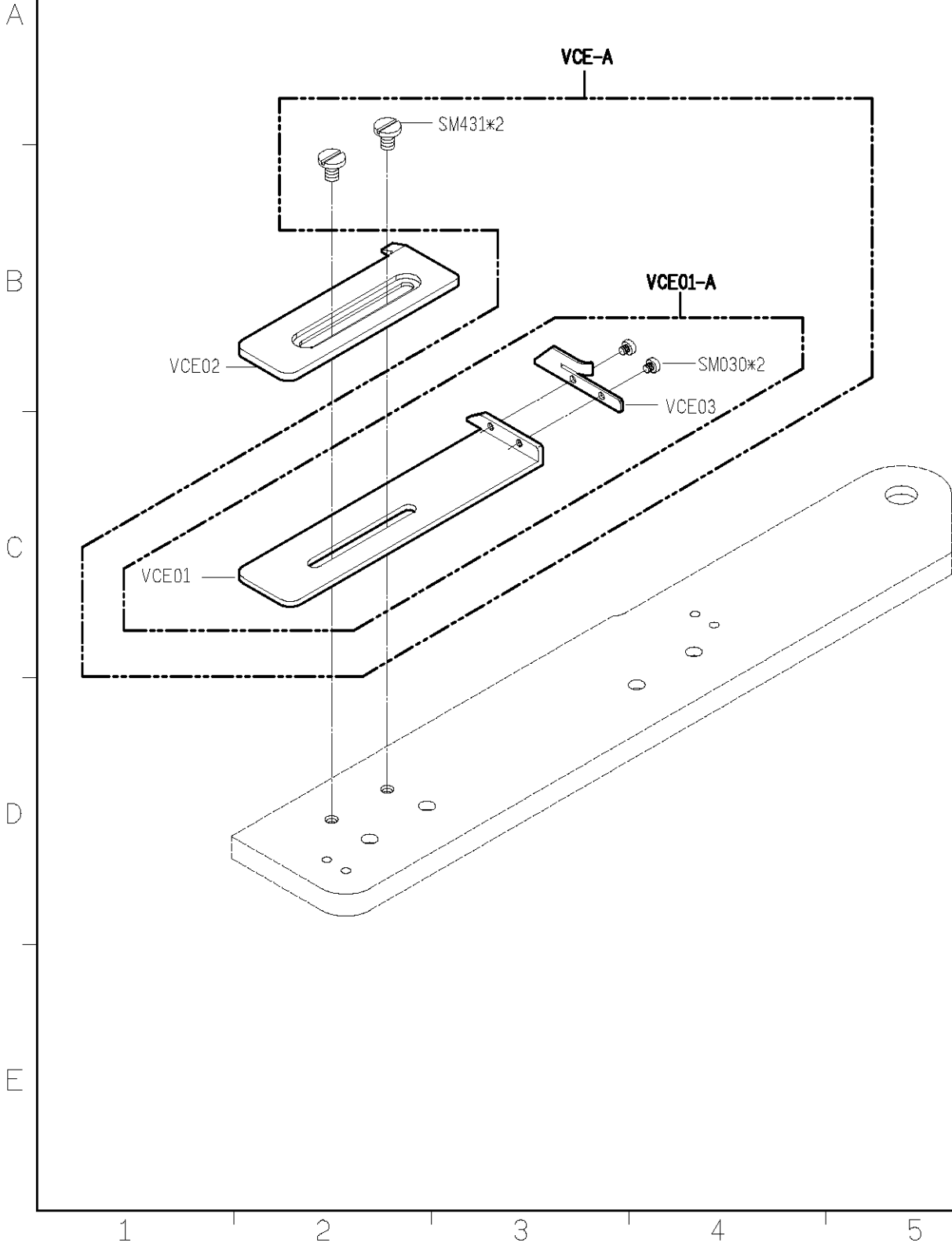
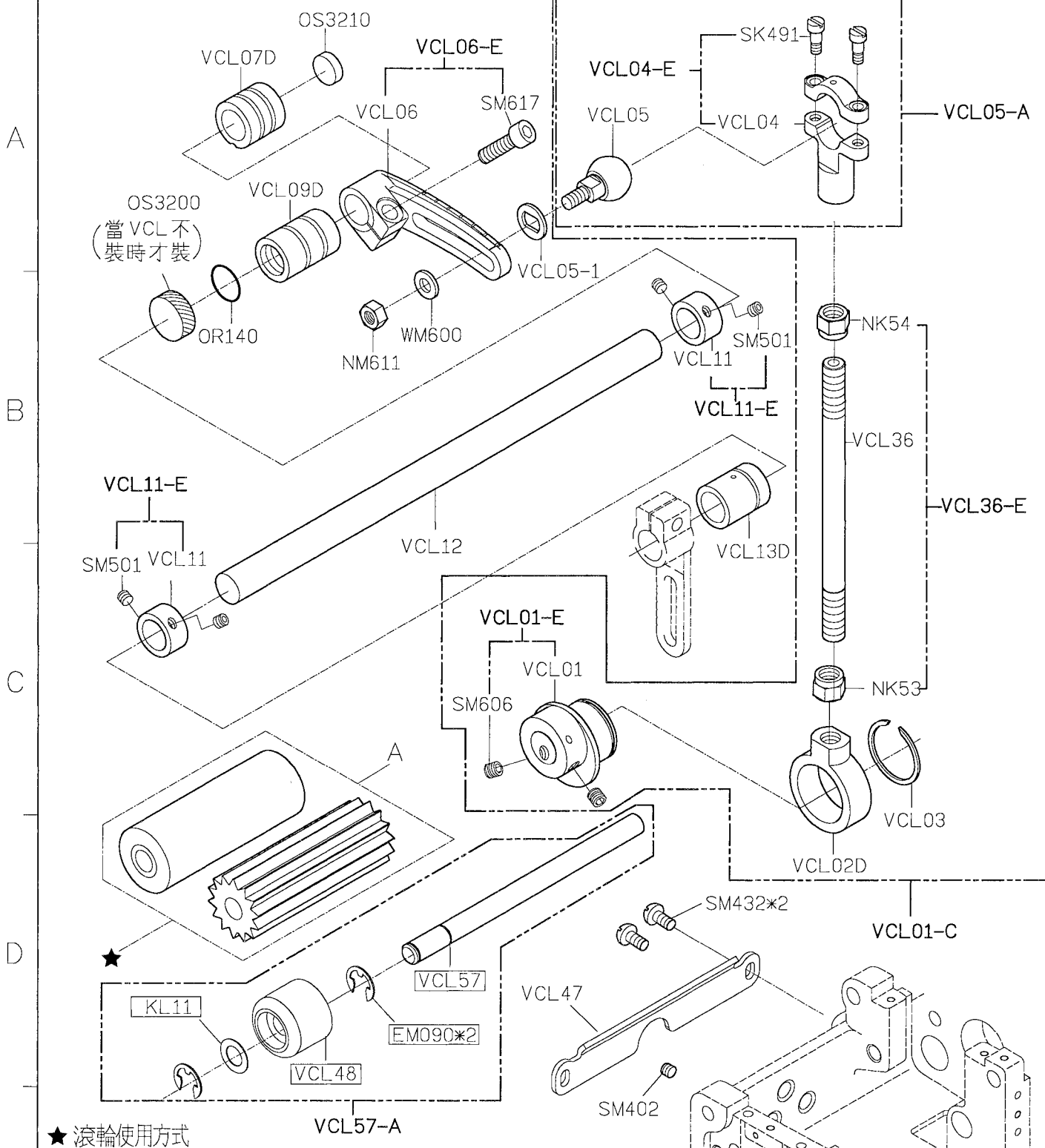


SIRUBA PARTS LIST	Series	Parts Group	Subclass / Remark	Page
	VC008	VAD		1/1
				Date
				2012/08/24



<b>SIRUBA</b> <b>PARTS LIST</b>	<b>Series</b>	<b>Parts Group</b>	<b>Subclass / Remark</b>	<b>Page</b>
	<b>VC008</b>	<b>VCE</b>		1/1
				<b>Date</b>
				2012/09/24





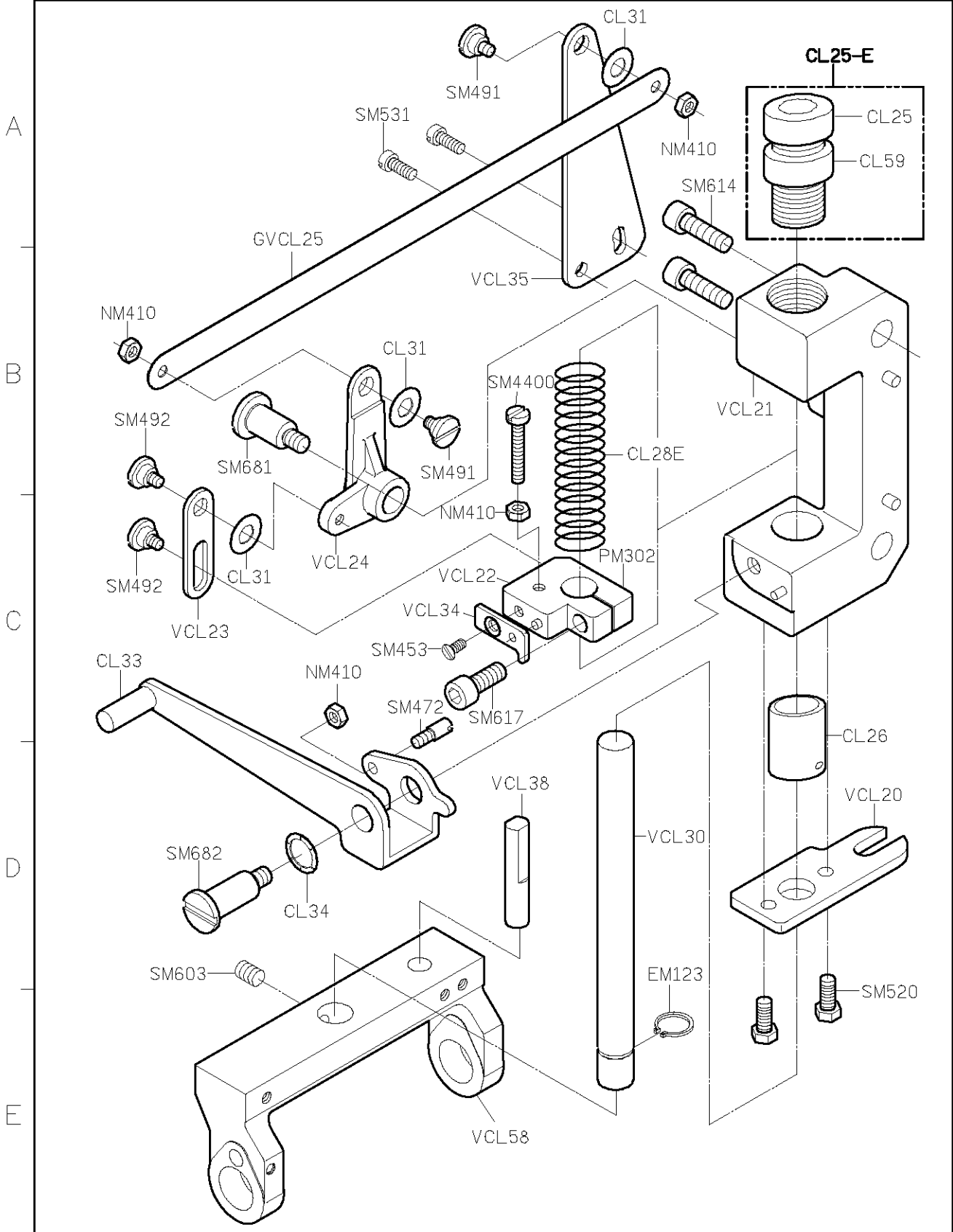
★ 滾輪使用方式

	平輪 (Flat Type)				齒輪 (Gear Type)			
	PU		Rubber (Black)		POM (White)		Steel	
Length	Short	Long	Short	Long	Short	Long	Short	Long
上滾輪 Upper	VCL16	VCL16P * VCL16D	VCL16Q	VCL16R	VCL08 (22T) VCL37 (27T)	VCL08P (22T) VCL37P (27T)	VCL08Q (59T)	VCL08N (22T)
下滾輪 Bottom	VCL28				VCL33 (14T) VCL33P (16T)		VCL33N (22T)	

除VUT車外	VUT
VCL57	VCL27
VCL48	
KL11	
EM090*2	

\*新增代號VCL16D為VSM/VSQ車用

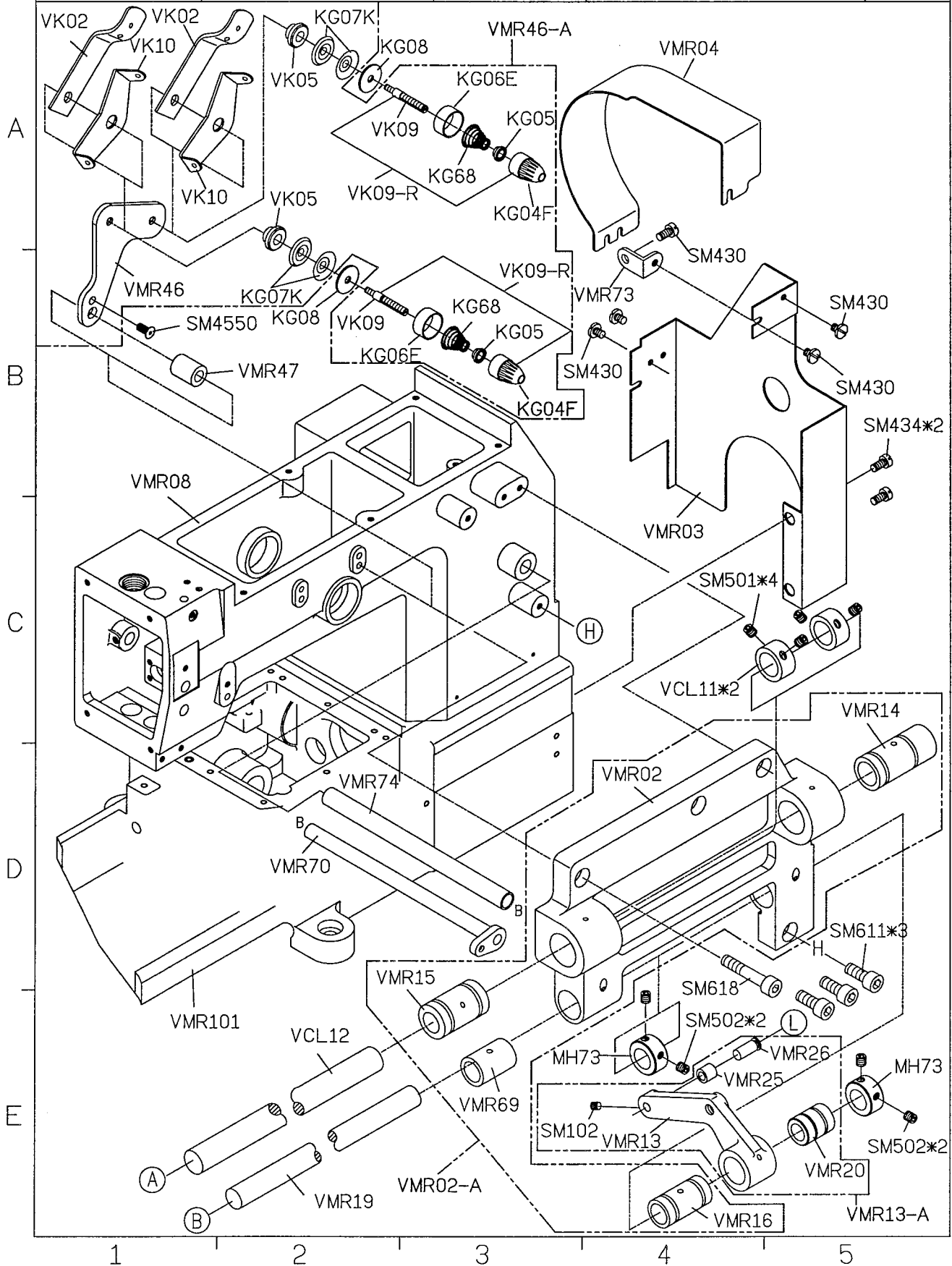
SIRUBA PARTS LIST	Series	Parts Group	Subclass / Remark	Page
	VC008	VCL		2/3
				Date
				2012/08/21



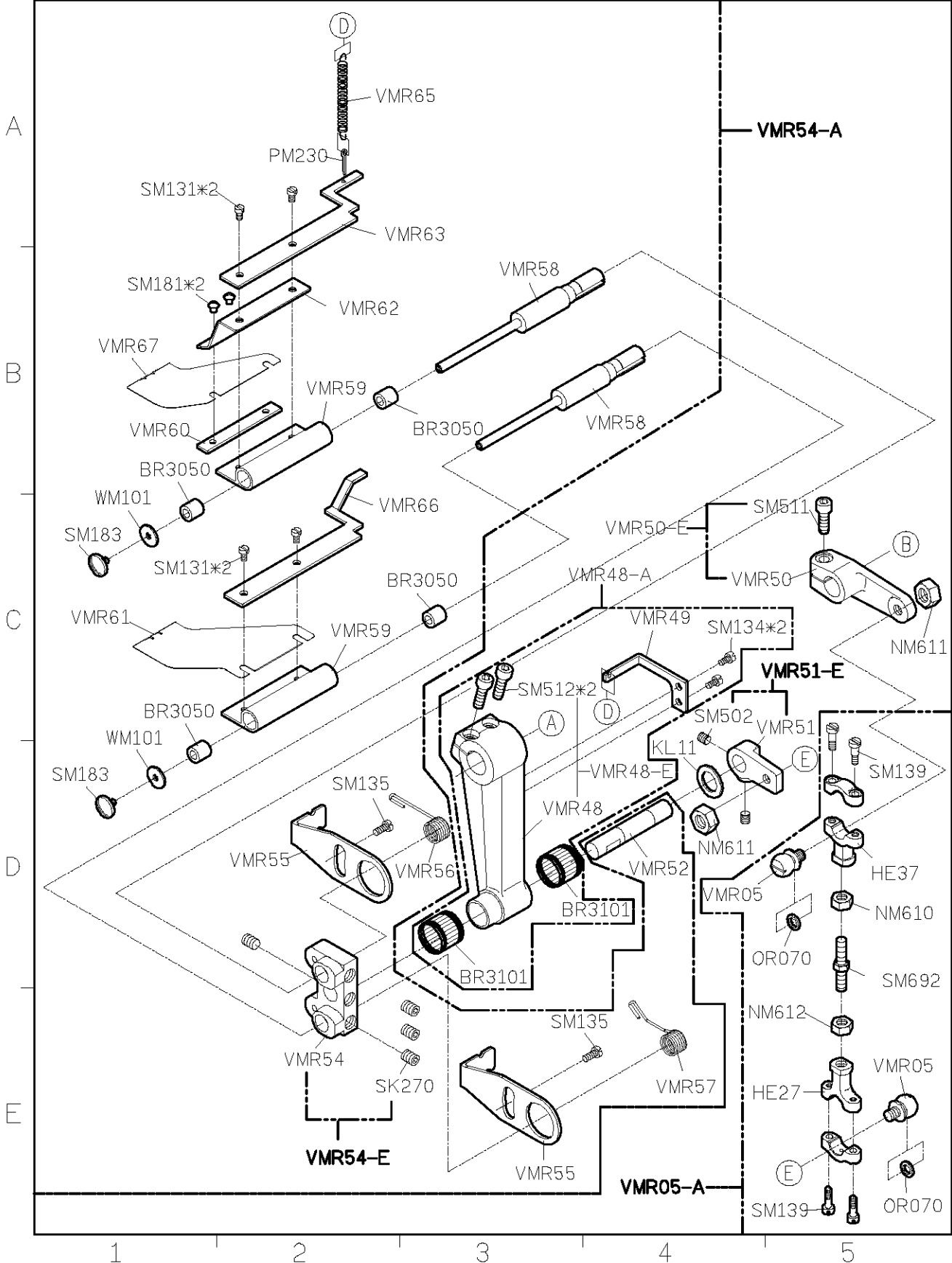
1 2 3 4 5



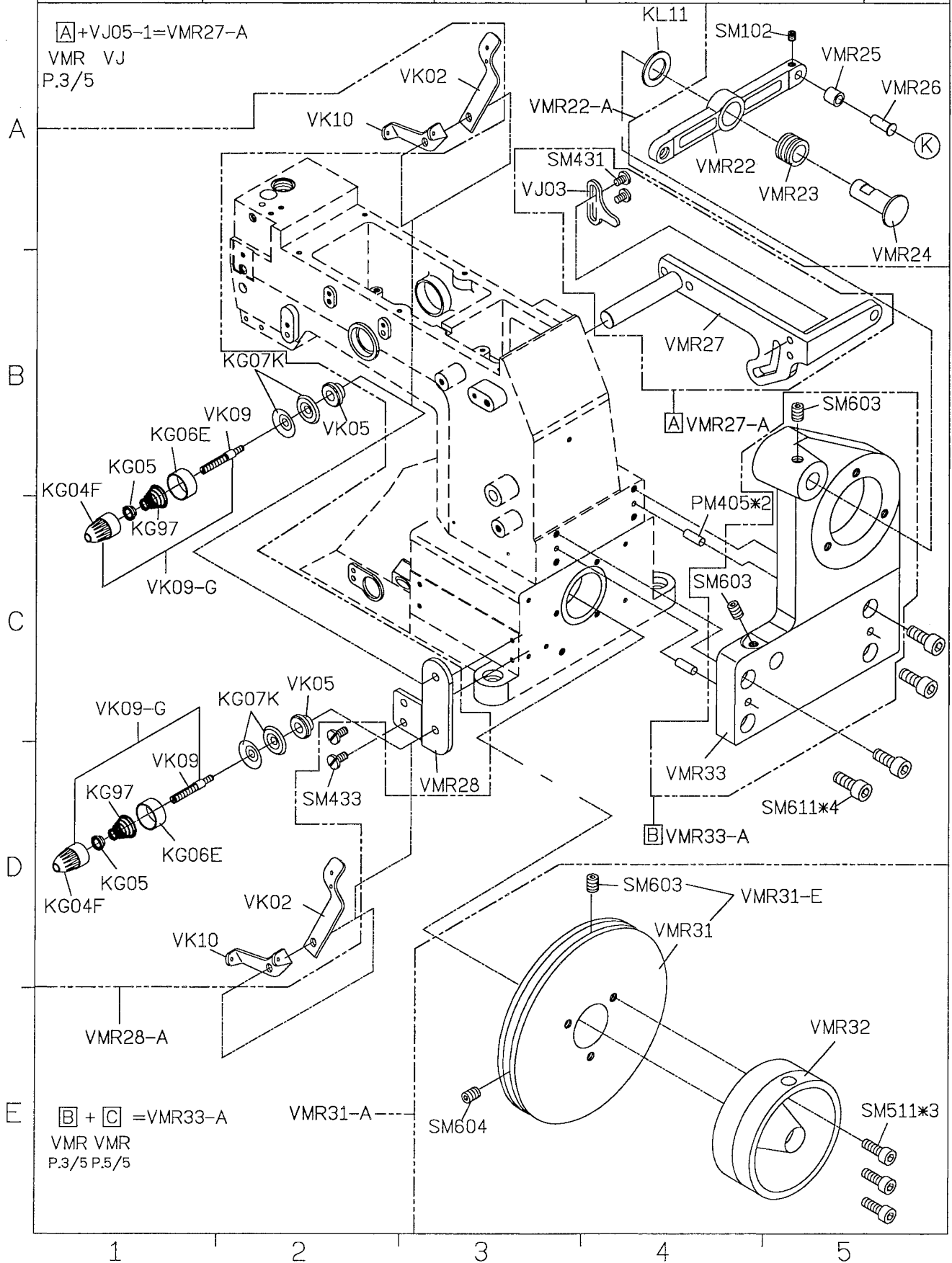
<b>SIRUBA</b> PARTS LIST	Series	Parts Group	Subclass / Remark	Page
	<b>VC008 VMR</b>			1/5
				Date
				2015/08/05



<b>SIRUBA</b> <b>PARTS LIST</b>	<b>Series</b>	<b>Parts Group</b>	<b>Subclass / Remark</b>	<b>Page</b>
	<b>VC008</b>	<b>VMR</b>		<b>2/5</b>
				<b>Date</b>
				<b>2012/09/25</b>

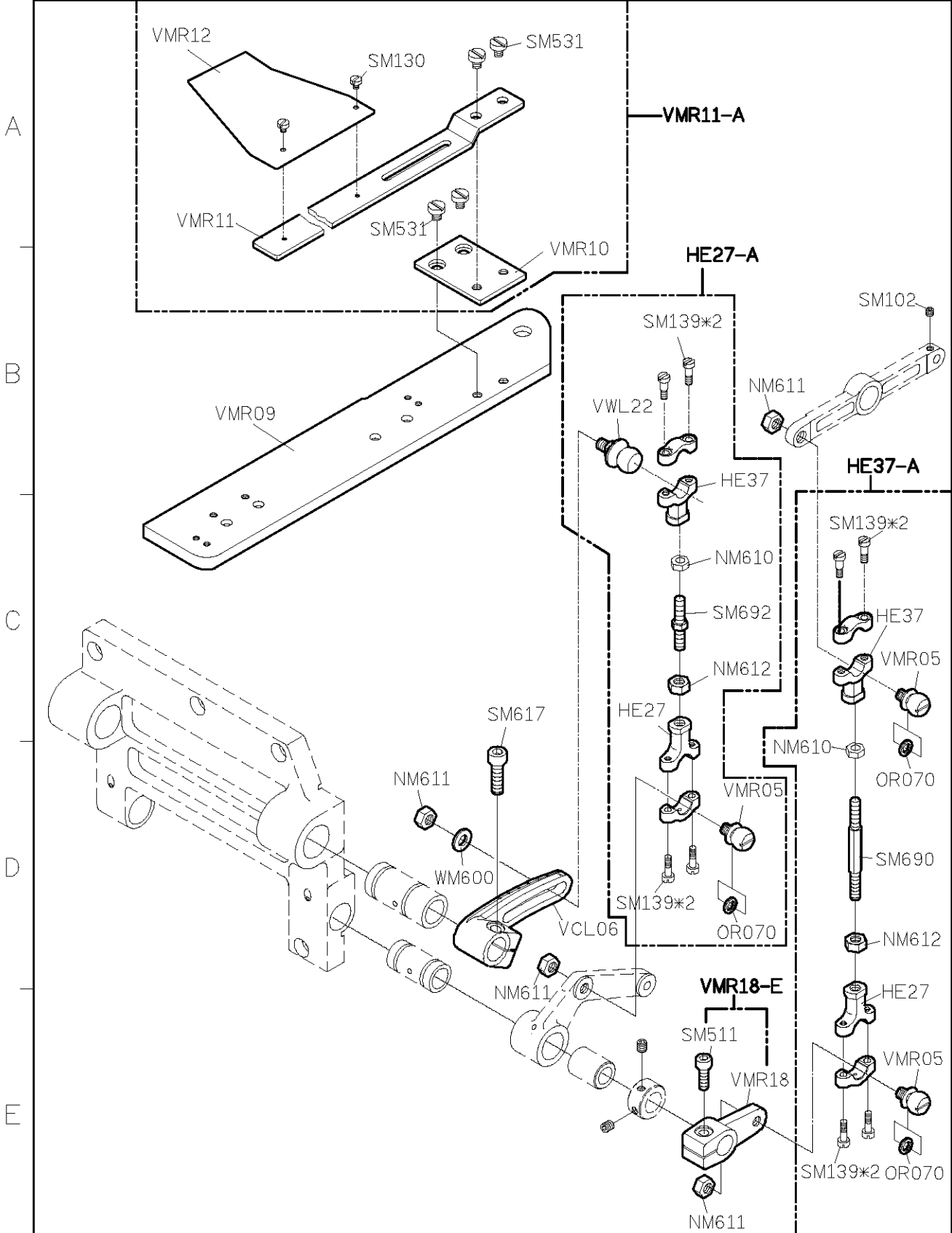


<b>SIRUBA</b> PARTS LIST	Series	Parts Group	Subclass / Remark	Page
	<b>VC008</b>	<b>VMR</b>		3/5
				Date
				2015/08/05

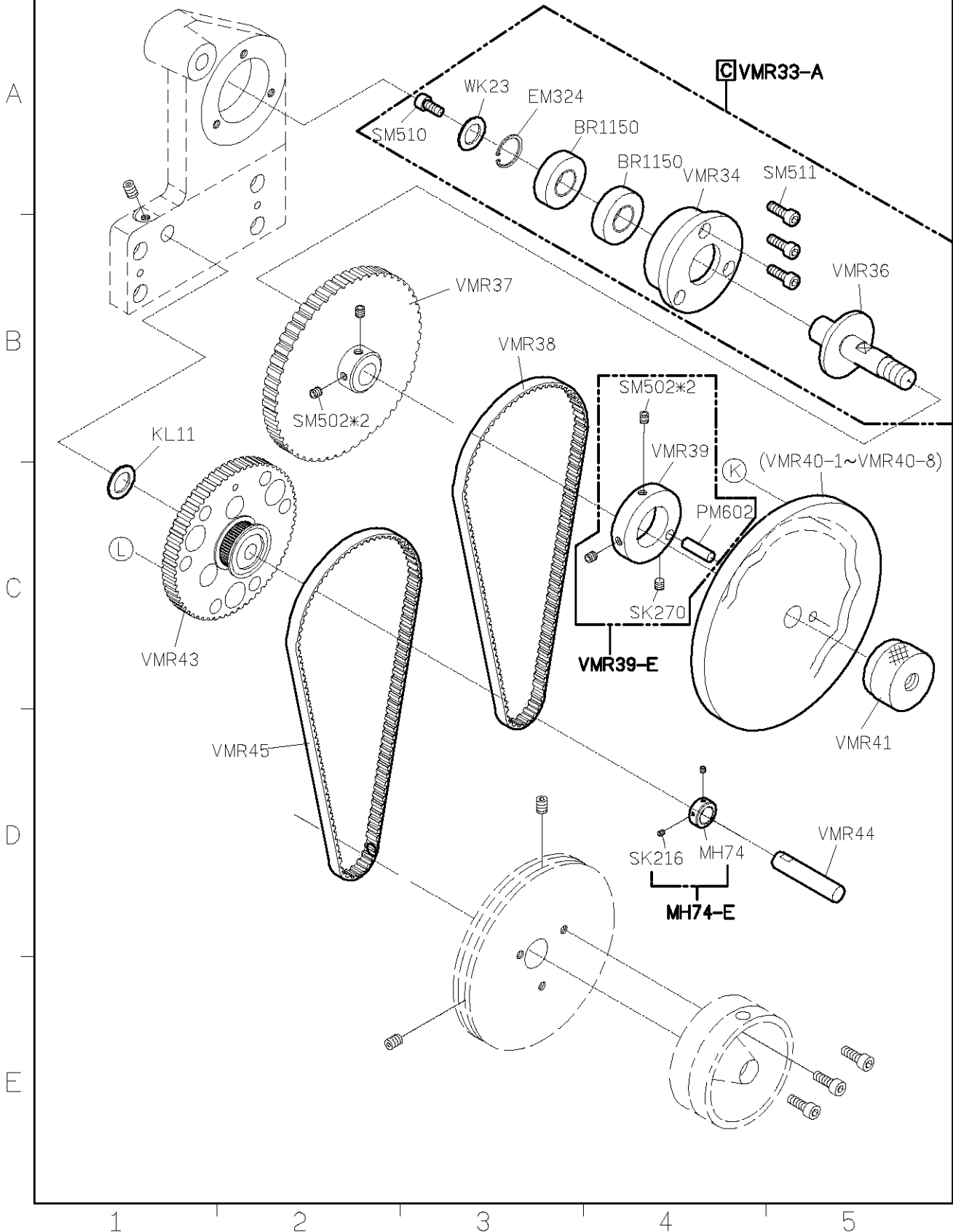




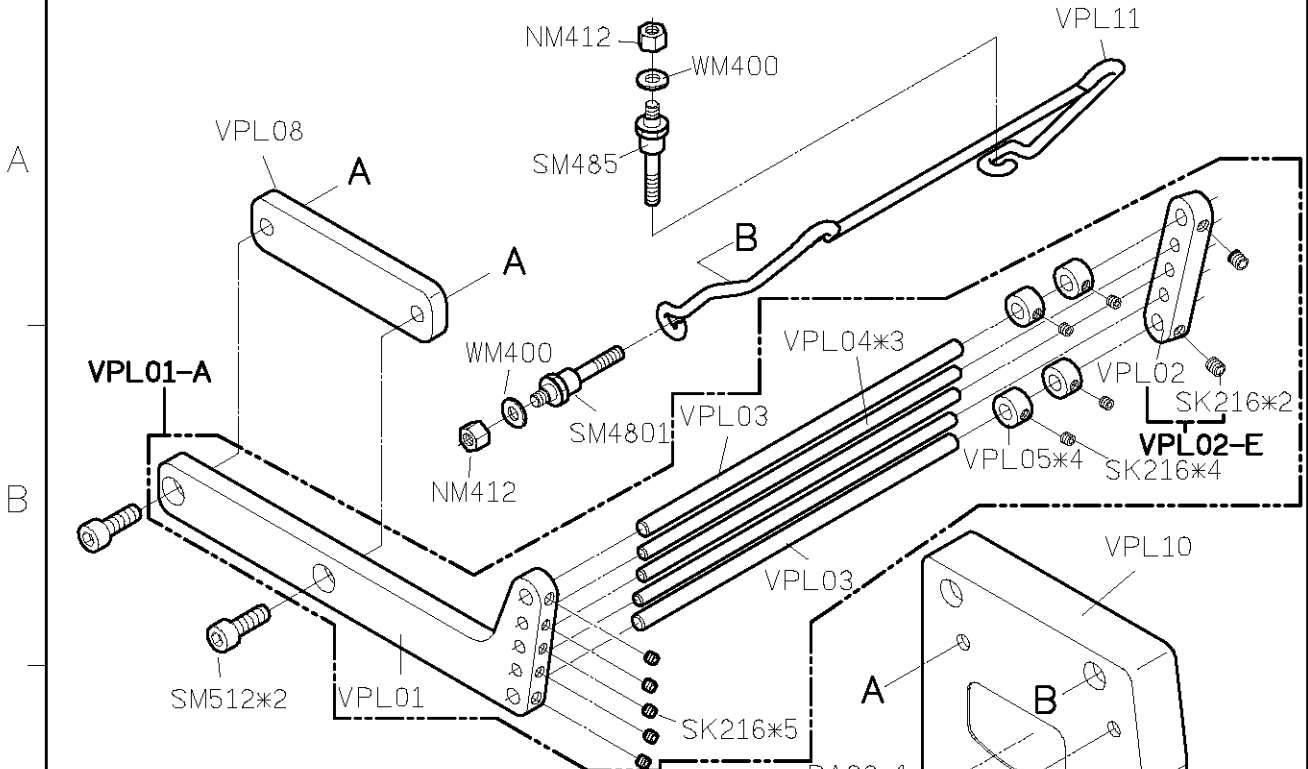
<b>SIRUBA</b> <b>PARTS LIST</b>	<b>Series</b>	<b>Parts Group</b>	<b>Subclass / Remark</b>	<b>Page</b>
	<b>VC008</b>	<b>VMR</b>		<b>4/5</b>
				<b>Date</b>
				<b>2012/09/25</b>



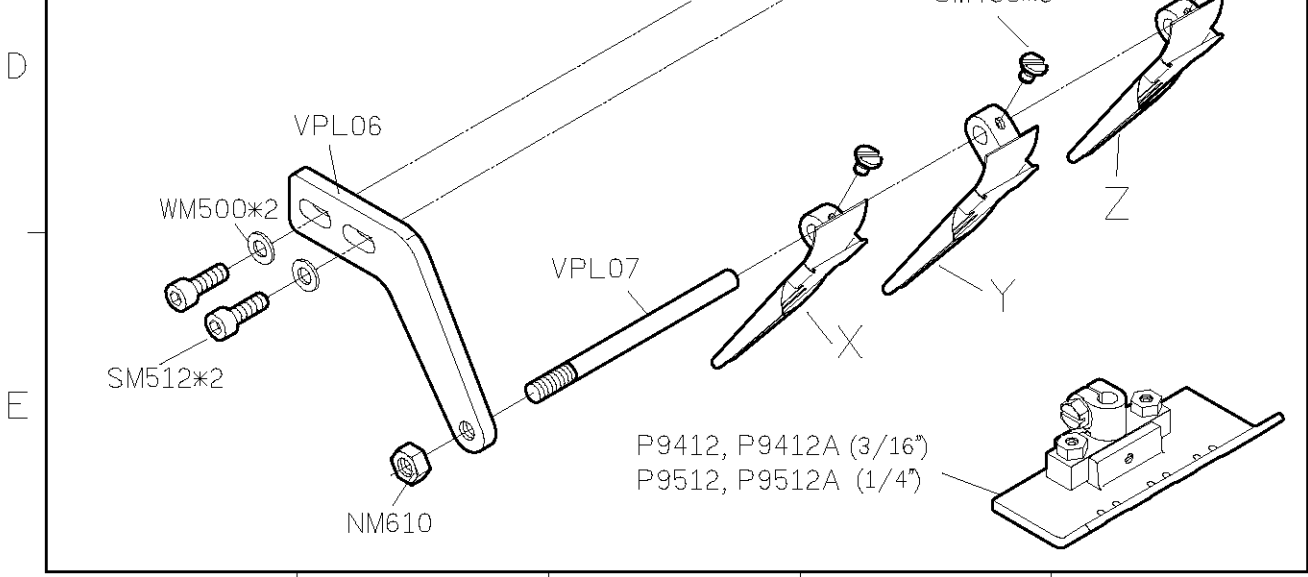
SIRUBA PARTS LIST	Series	Parts Group	Subclass / Remark	Page
	VC008	VMR		5/5
				Date
				2012/09/25



<b>SIRUBA</b> <b>PARTS LIST</b>	<b>Series</b>	<b>Parts Group</b>	<b>Subclass / Remark</b>	<b>Page</b>
	<b>VC008</b>	<b>VPL</b>		<b>1/1</b>
				<b>Date</b>
				<b>2012/09/24</b>



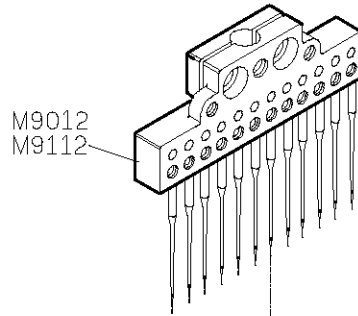
機型 Model	完成尺寸 Finished Size	X	Y	Z	針寬 Needle Holder	壓具 Presser Foot
VC008-06048	8	B417P	B417AP	B417P	3/16"	P9412DA
	9	B417Q	B417AQ	B417Q		P9412D
VC008-06064	10	B417R	B417AR	B417R	1/4"	P9512DA
	12	B417S	B417AS	B417S		P9512D
	16	B417U	B417AU	B417U		P9512B
VC008-12064	16	B417U	B417AU	B417U	1/4"	P9712D



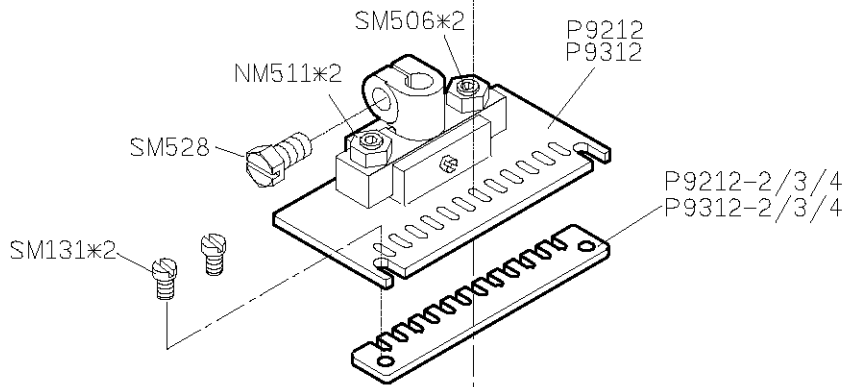
1 2 3 4 5

SIRUBA PARTS LIST	Series	Parts Group	Subclass / Remark	Page
	VC008	VPQ		1/2
				Date
				2012/08/24

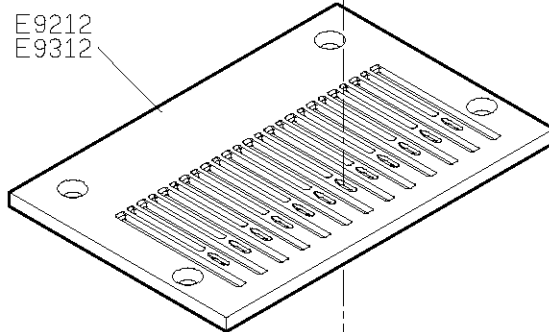
A



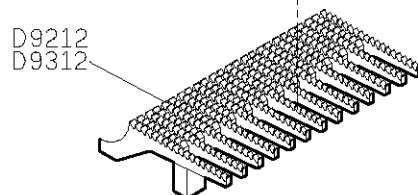
B



C

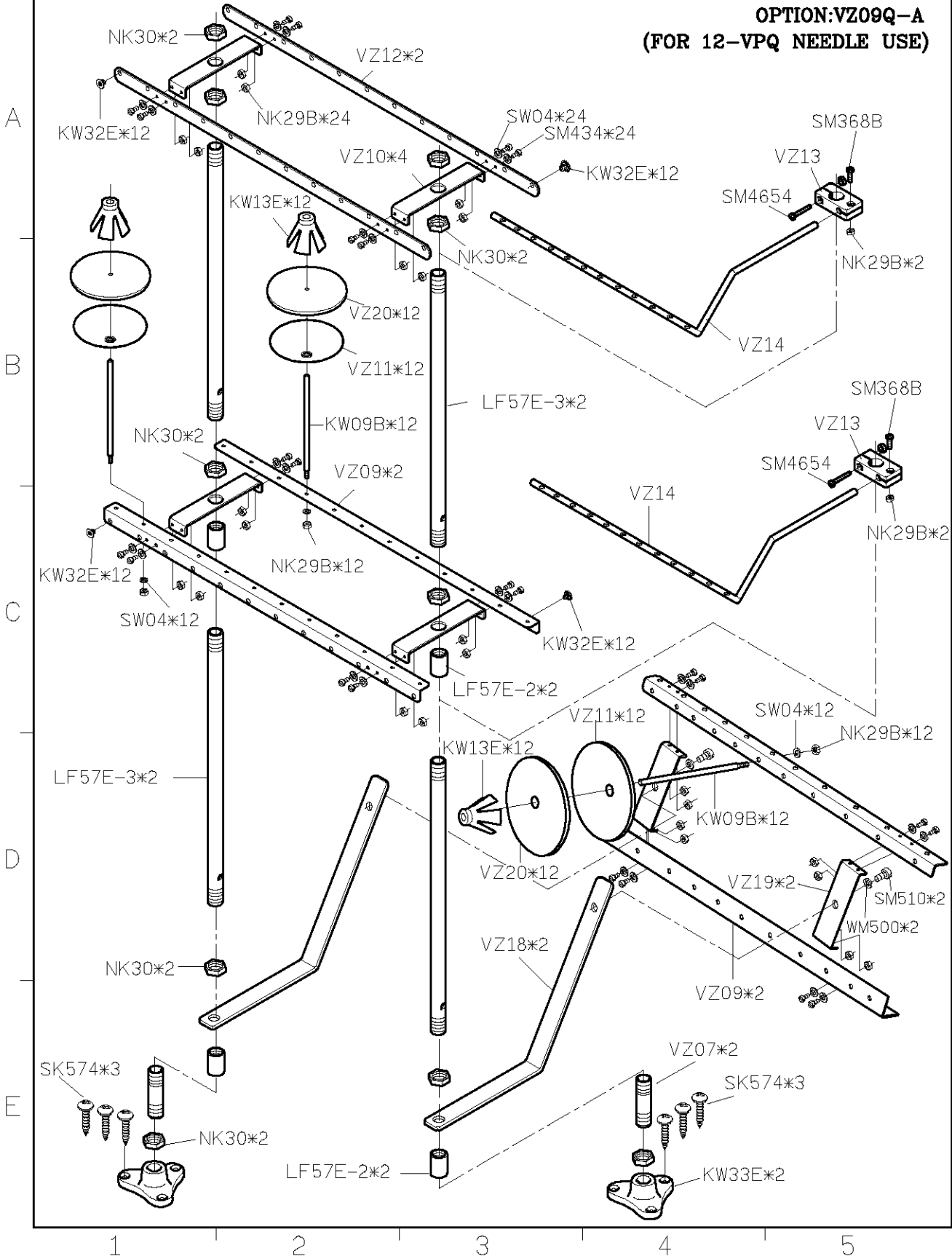


D



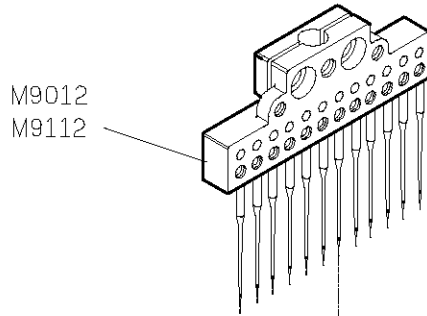
E

<b>SIRUBA</b> <b>PARTS LIST</b>	<b>Series</b>	<b>Parts Group</b>	<b>Subclass / Remark</b>	<b>Page</b>
	<b>VC008</b>	<b>VPQ</b>		<b>2/2</b>
				<b>Date</b>
				<b>2012/09/24</b>

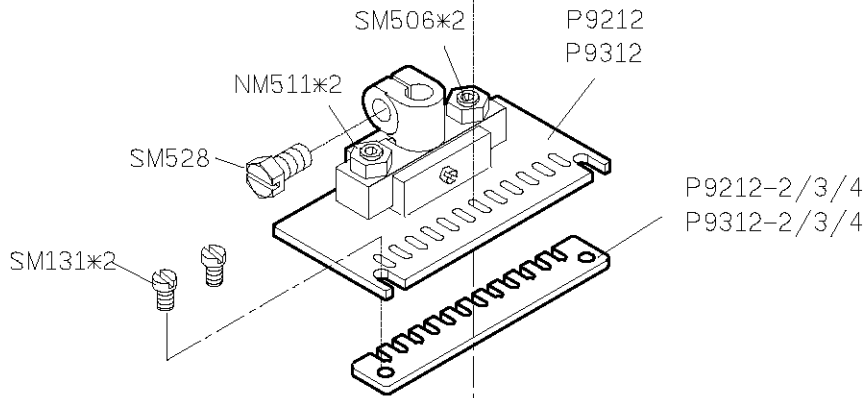


SIRUBA PARTS LIST	Series	Parts Group	Subclass / Remark	Page
	VC008	VPQK		1/5
				Date
				2012/08/24

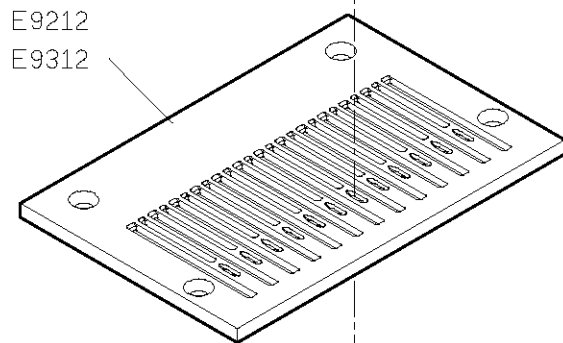
A



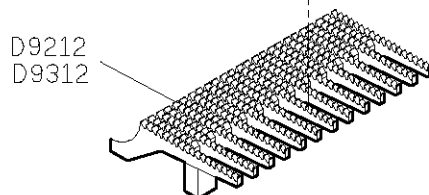
B



C



D



E

**SIRUBA**  
**PARTS LIST**

**Series**  
**VC008**

**Parts Group**  
**VPQK**

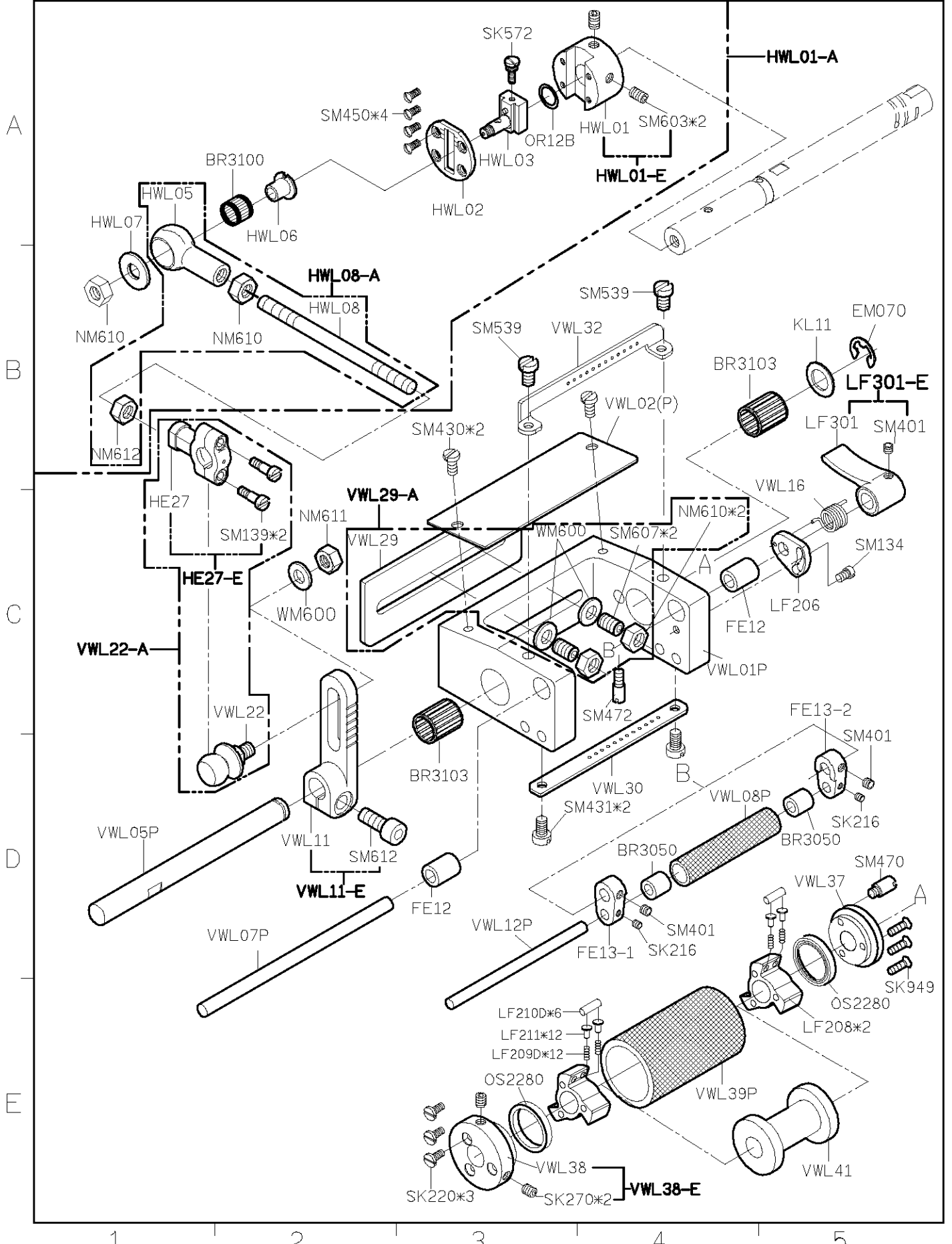
**Subclass / Remark**

**Page**

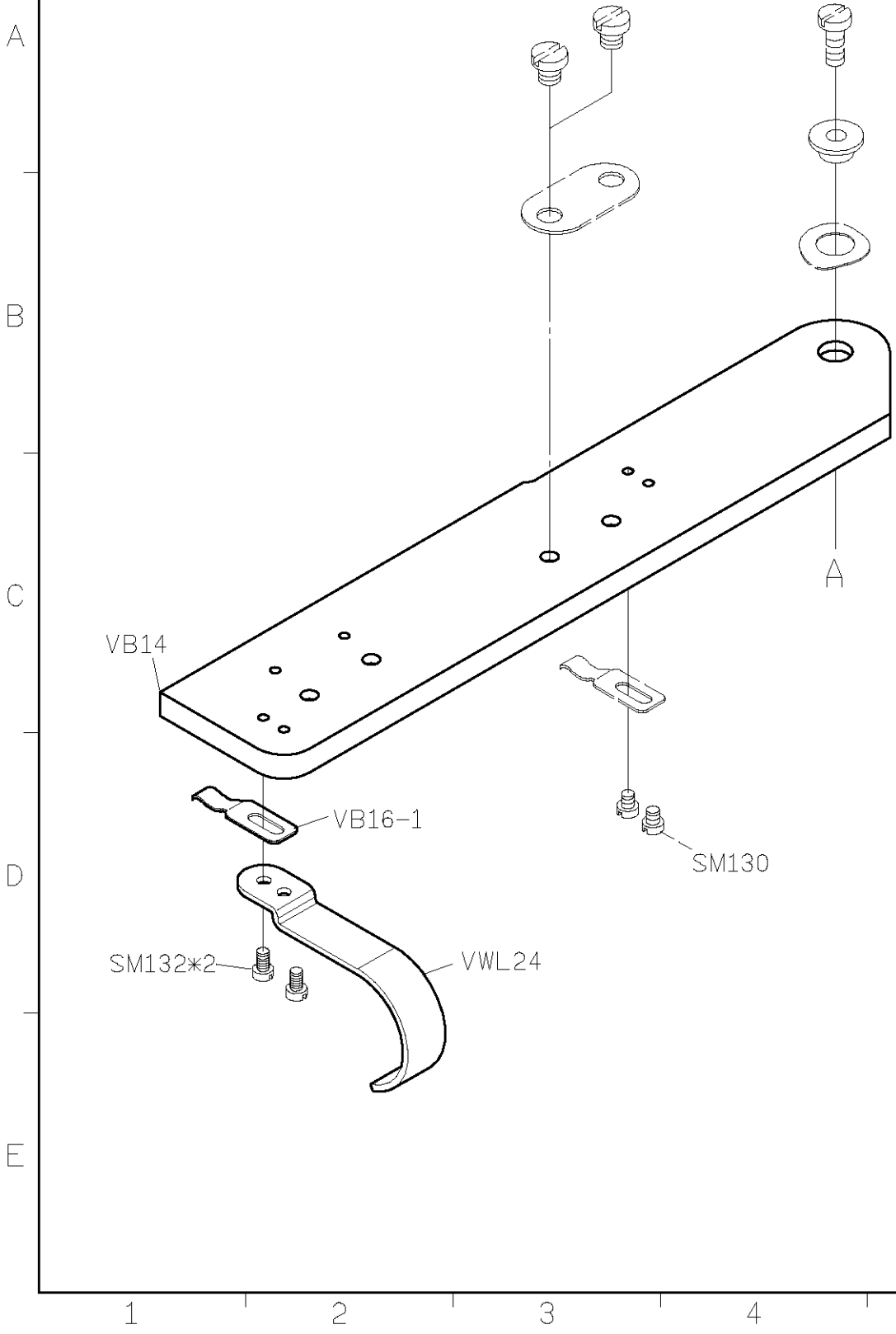
2/5

**Date**

2013/09/23



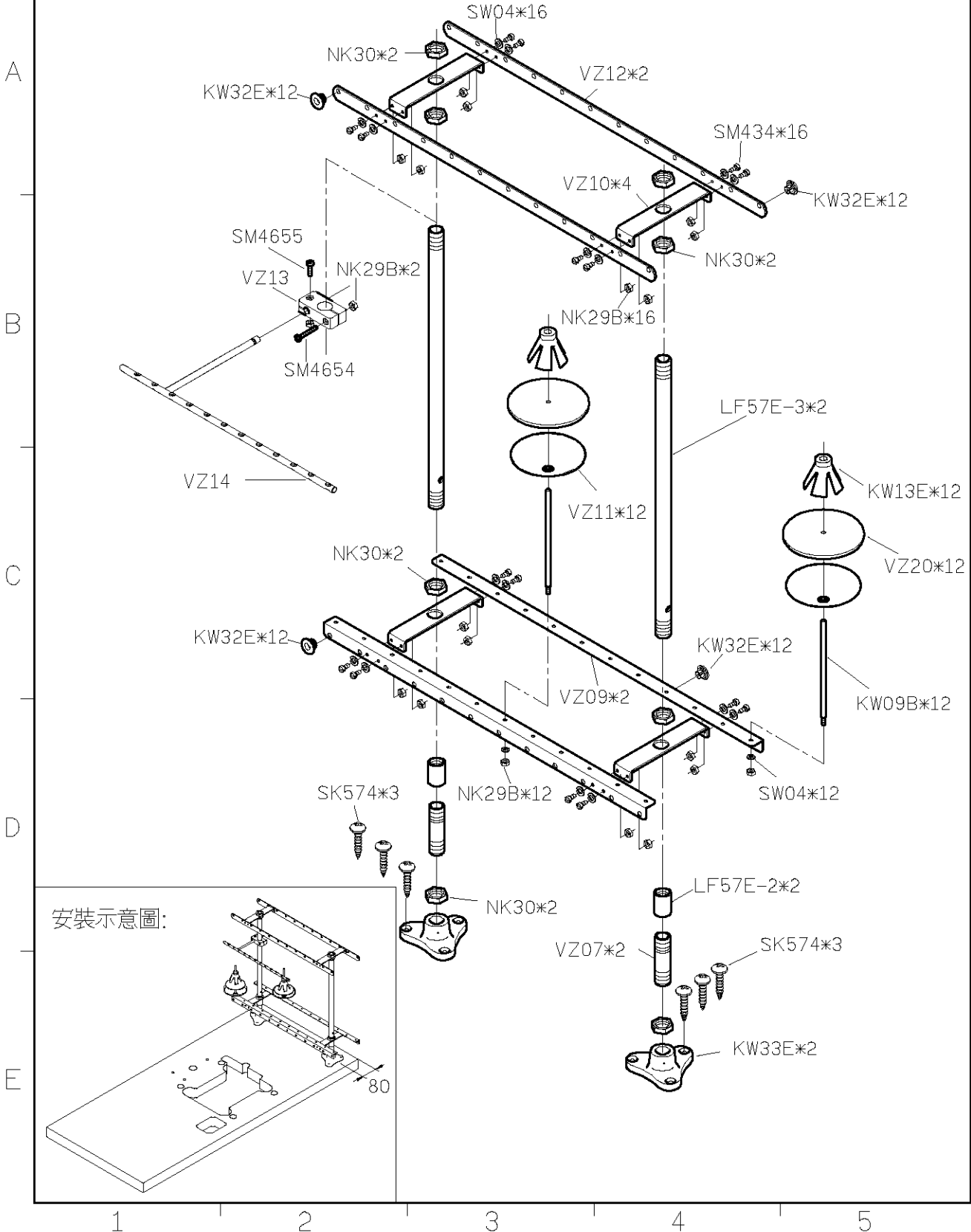
<b>SIRUBA</b> <b>PARTS LIST</b>	<b>Series</b>	<b>Parts Group</b>	<b>Subclass / Remark</b>	<b>Page</b>
	<b>VC008</b>	<b>VPQK</b>		3/5
				<b>Date</b>
				2012/08/24





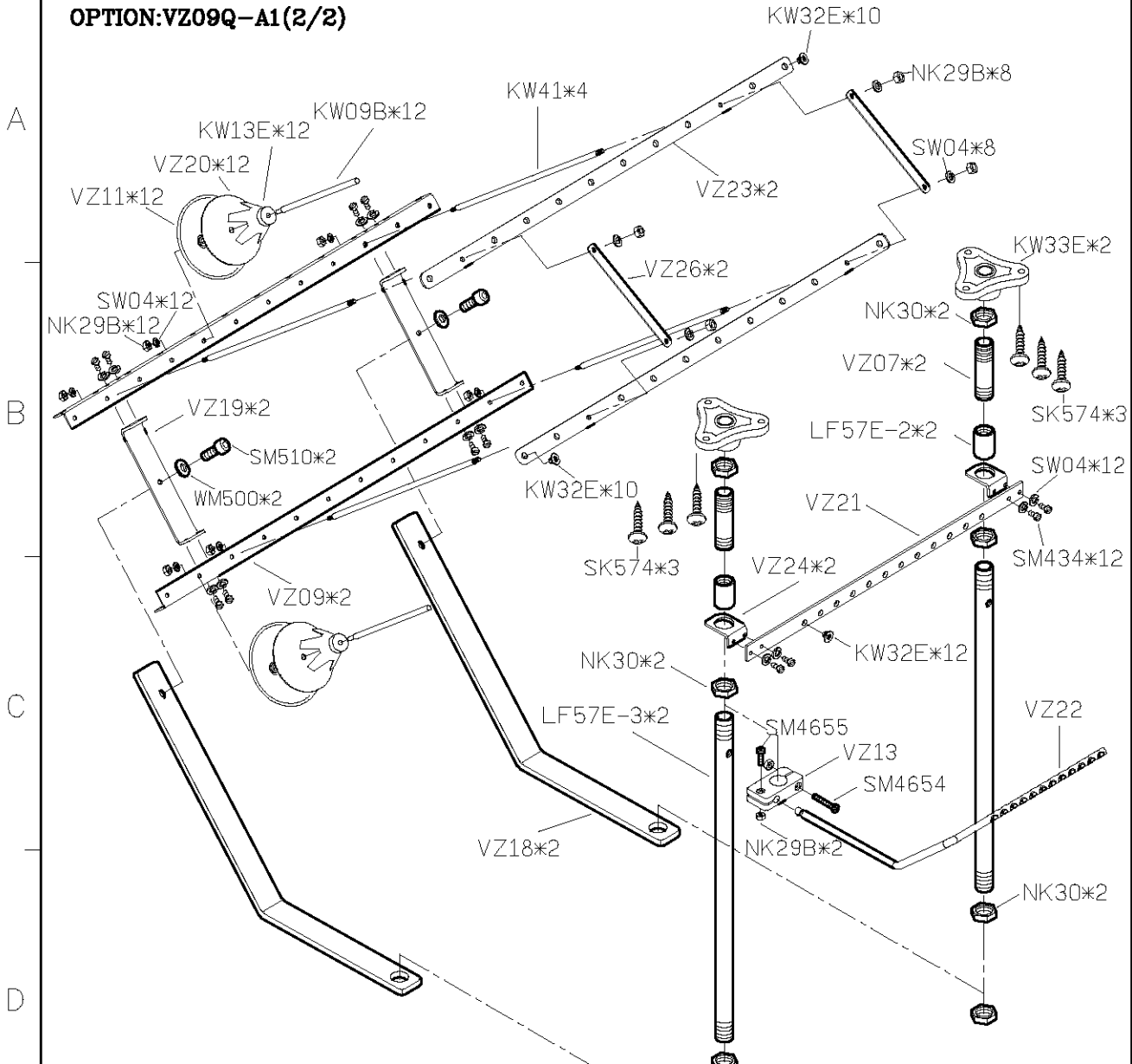
<b>SIRUBA</b> <b>PARTS LIST</b>	<b>Series</b>	<b>Parts Group</b>	<b>Subclass / Remark</b>	<b>Page</b>
	<b>VC008</b>	<b>VPQK</b>		<b>4/5</b>
				<b>Date</b>
				<b>2012/09/24</b>

OPTION:VZ09Q-A1(1/2)

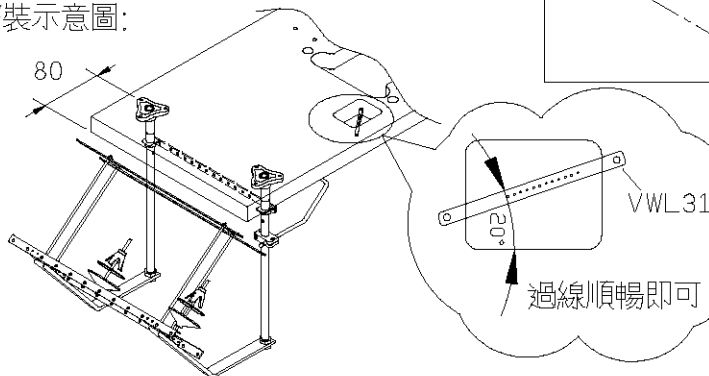


<b>SIRUBA</b> <b>PARTS LIST</b>	<b>Series</b>	<b>Parts Group</b>	<b>Subclass / Remark</b>	<b>Page</b>
	<b>VC008</b>	<b>VPQK</b>		<b>5/5</b>
				<b>Date</b>
				<b>2012/09/24</b>

OPTION:VZ09Q-A1(2/2)



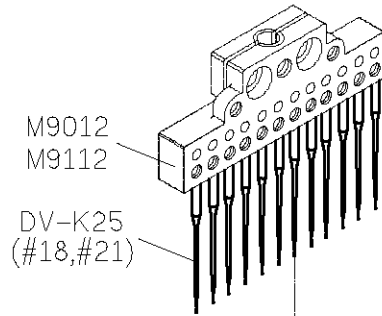
安裝示意圖:



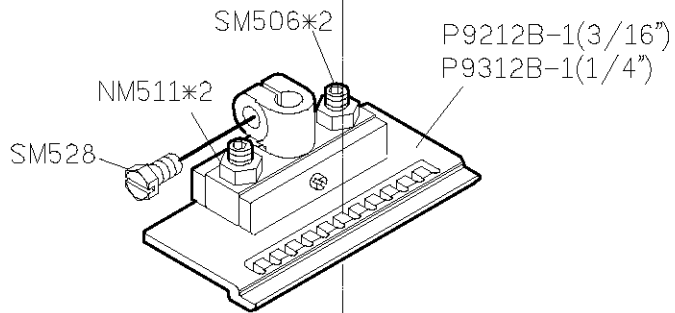
1 2 3 4 5

SIRUBA PARTS LIST	Series	Parts Group	Subclass / Remark	Page
	VC008	VPS		1/3
				Date
				2012/08/24

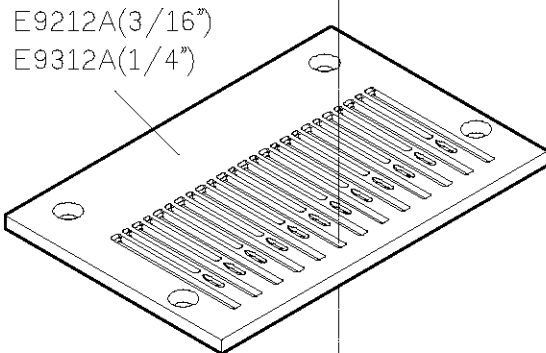
A



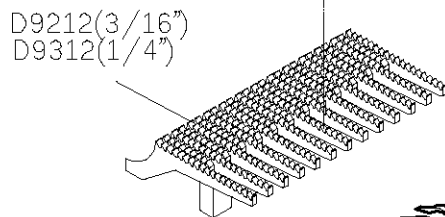
B



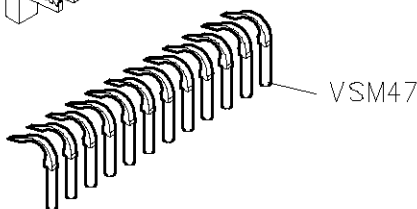
C



D



E



1

2

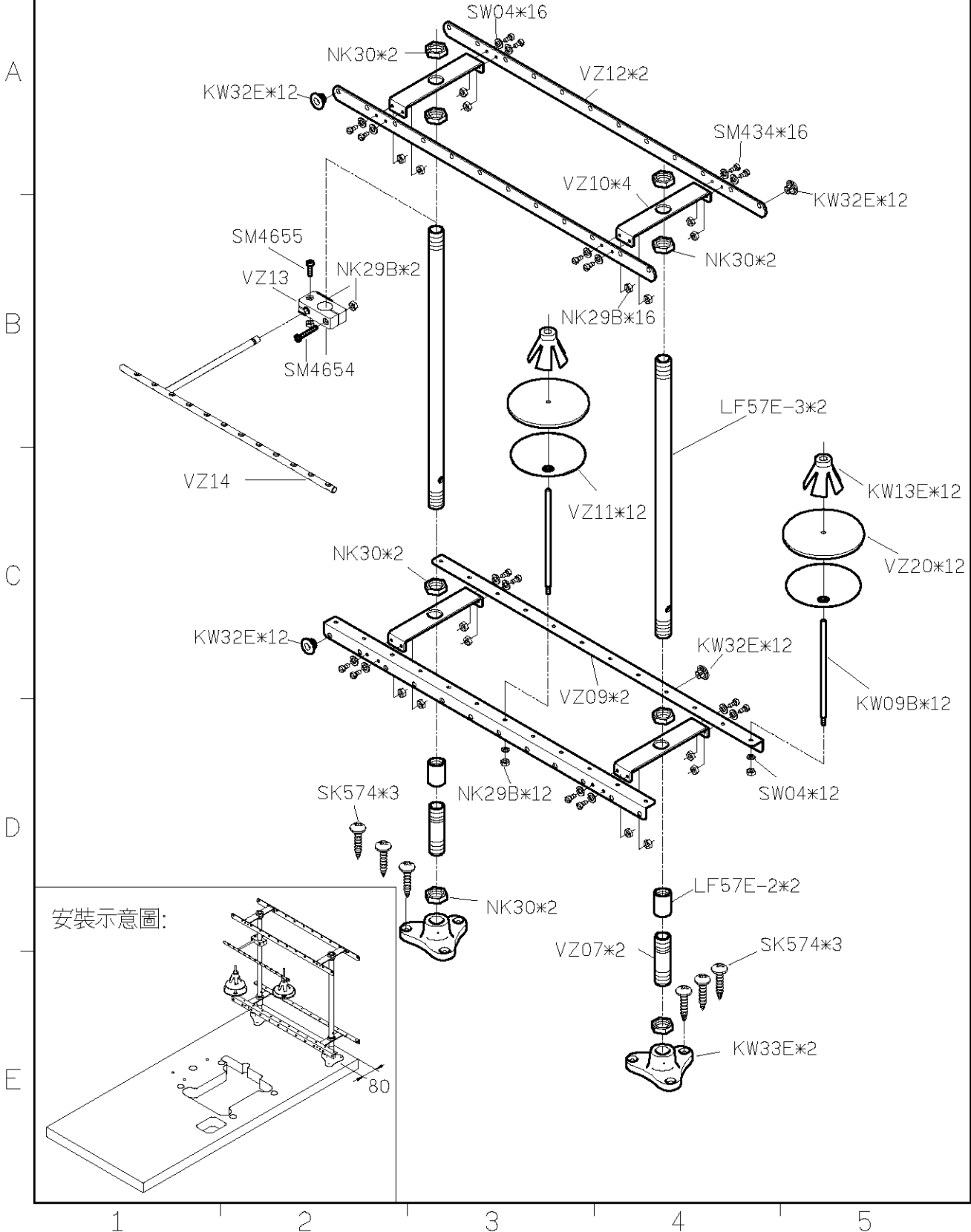
3

4

5

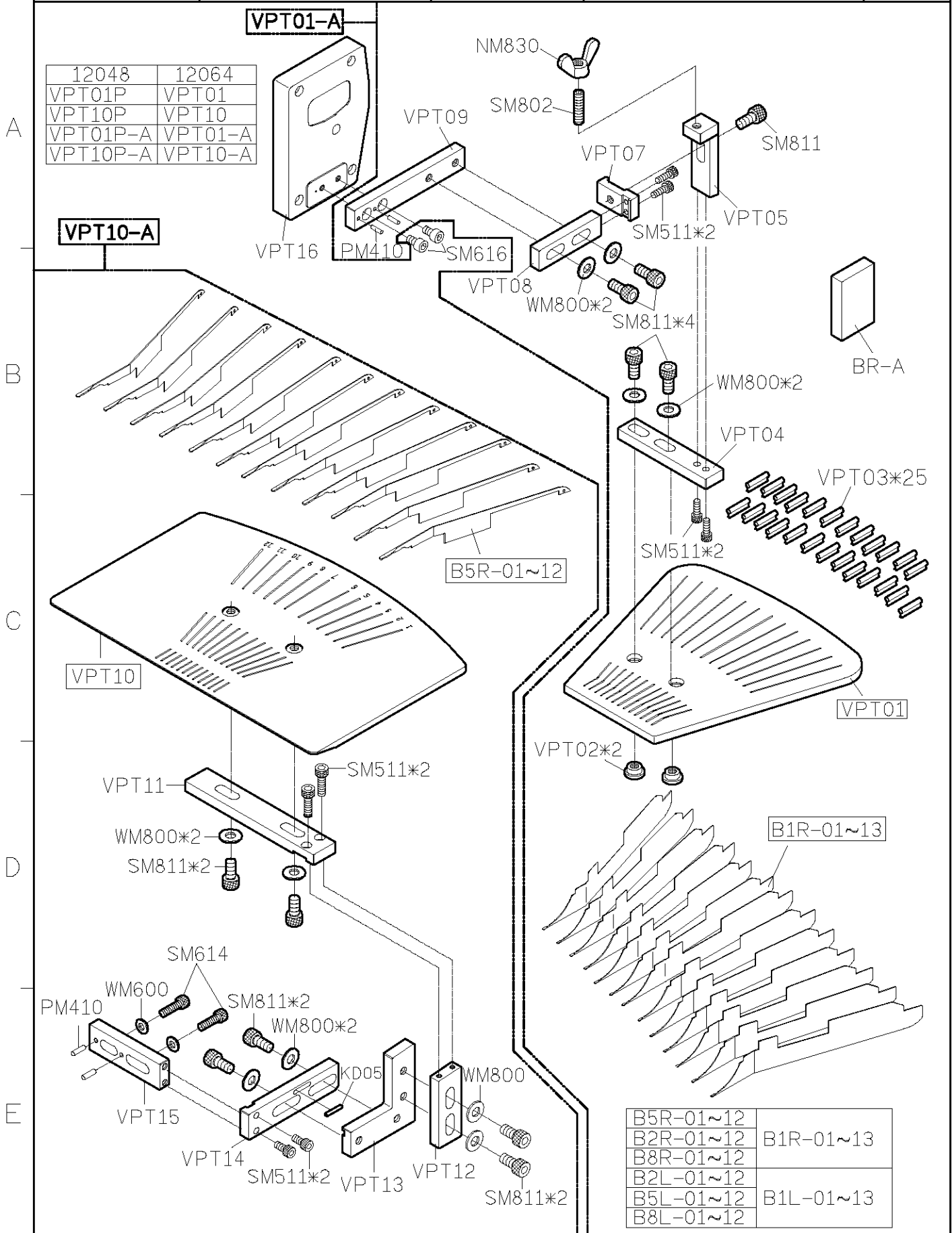
<b>SIRUBA</b> <b>PARTS LIST</b>	<b>Series</b>	<b>Parts Group</b>	<b>Subclass / Remark</b>	<b>Page</b>
	<b>VC008</b>	<b>VPS</b>		<b>2/3</b>
				<b>Date</b>
				<b>2012/09/24</b>

OPTION:VZ09Q-A1(1/2)

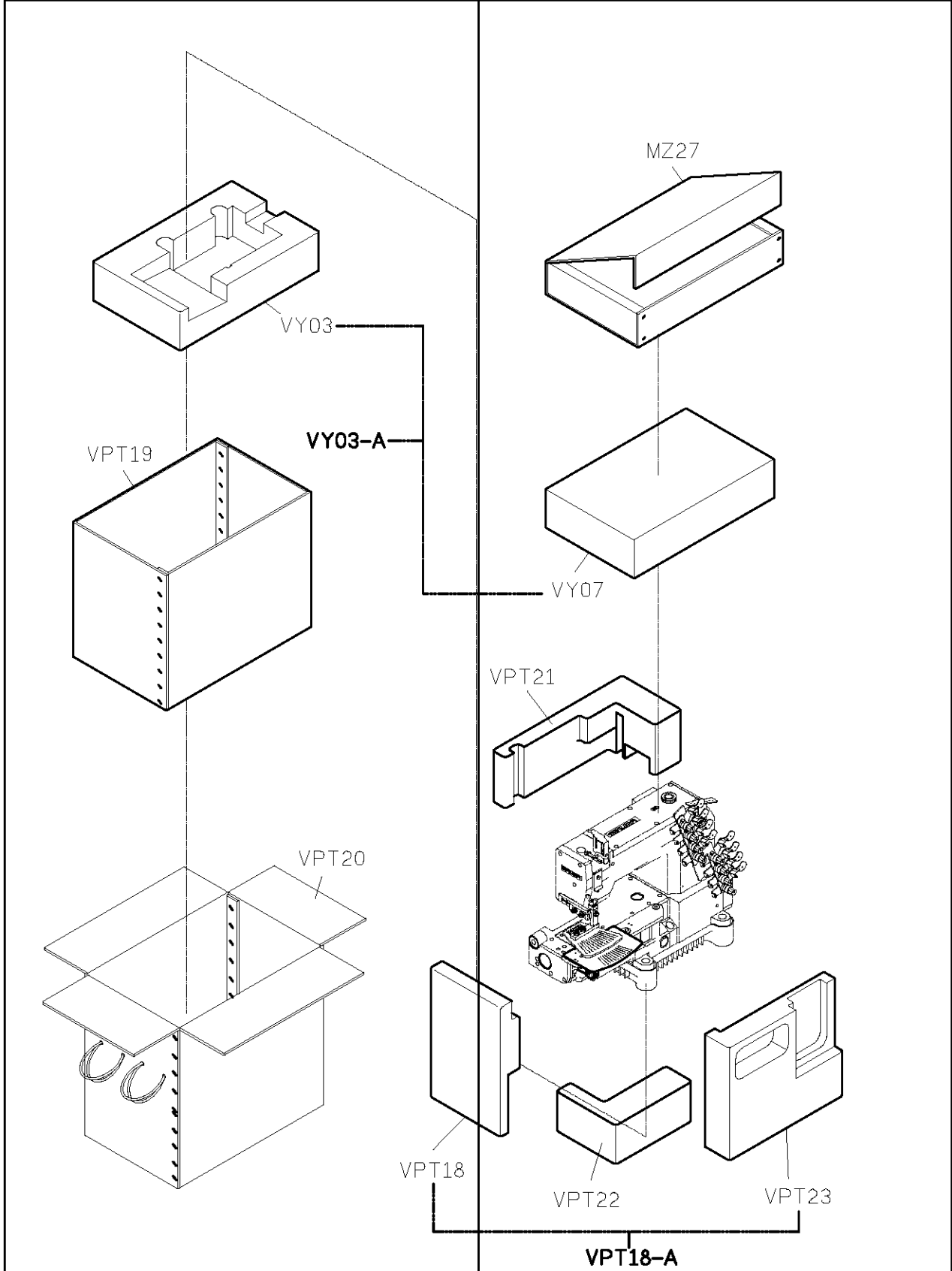




<b>SIRUBA</b> <b>PARTS LIST</b>	<b>Series</b>	<b>Parts Group</b>	<b>Subclass / Remark</b>	<b>Page</b>
	<b>VC008</b>	<b>VPT</b>		1/2
				<b>Date</b>
				2012/08/24

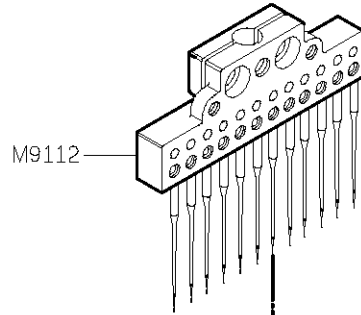


SIRUBA SEQUENCE LIST	Series	Parts Group	Subclass / Remark	Page
	VC008	VPT		2/2
				Date
				2012/09/24

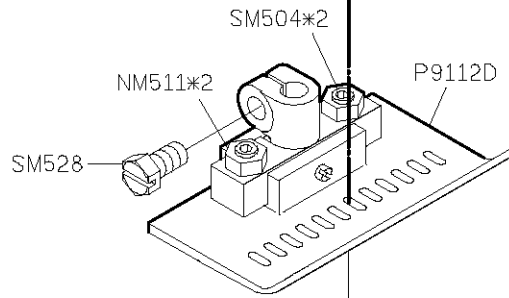


SIRUBA PARTS LIST	Series	Parts Group	Subclass / Remark	Page
	VC008	VSC		1/7
				Date
				2012/08/21

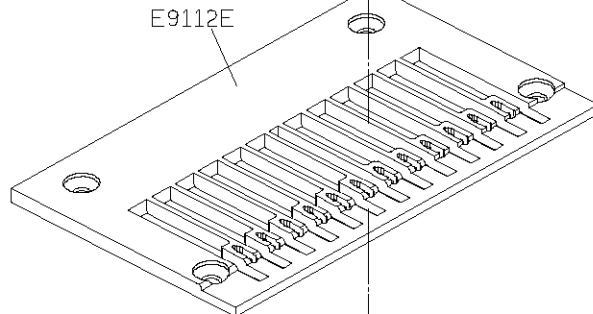
A



B

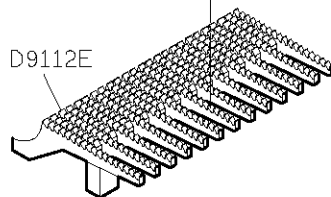


C



D

E



1

2

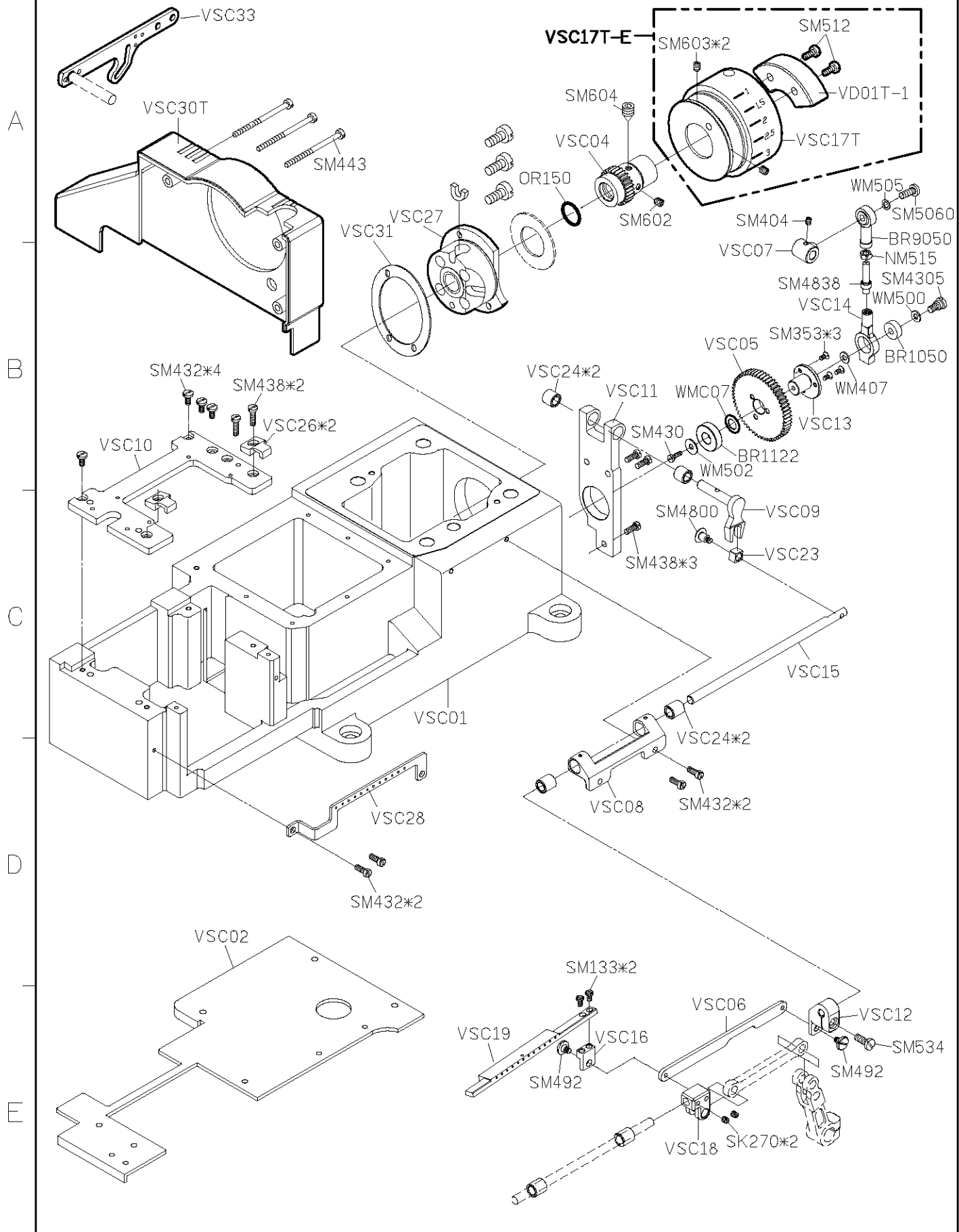
3

4

5



SIRUBA PARTS LIST	Series	Parts Group	Subclass / Remark	Page
	VC008	VSC		2/7
				Date
				2014/08/12



<b>SIRUBA</b> <b>PARTS LIST</b>	<b>Series</b>	<b>Parts Group</b>	<b>Subclass / Remark</b>	<b>Page</b>
	<b>VC008</b>	<b>VSC</b>		3/7
				<b>Date</b>
				2013/09/23

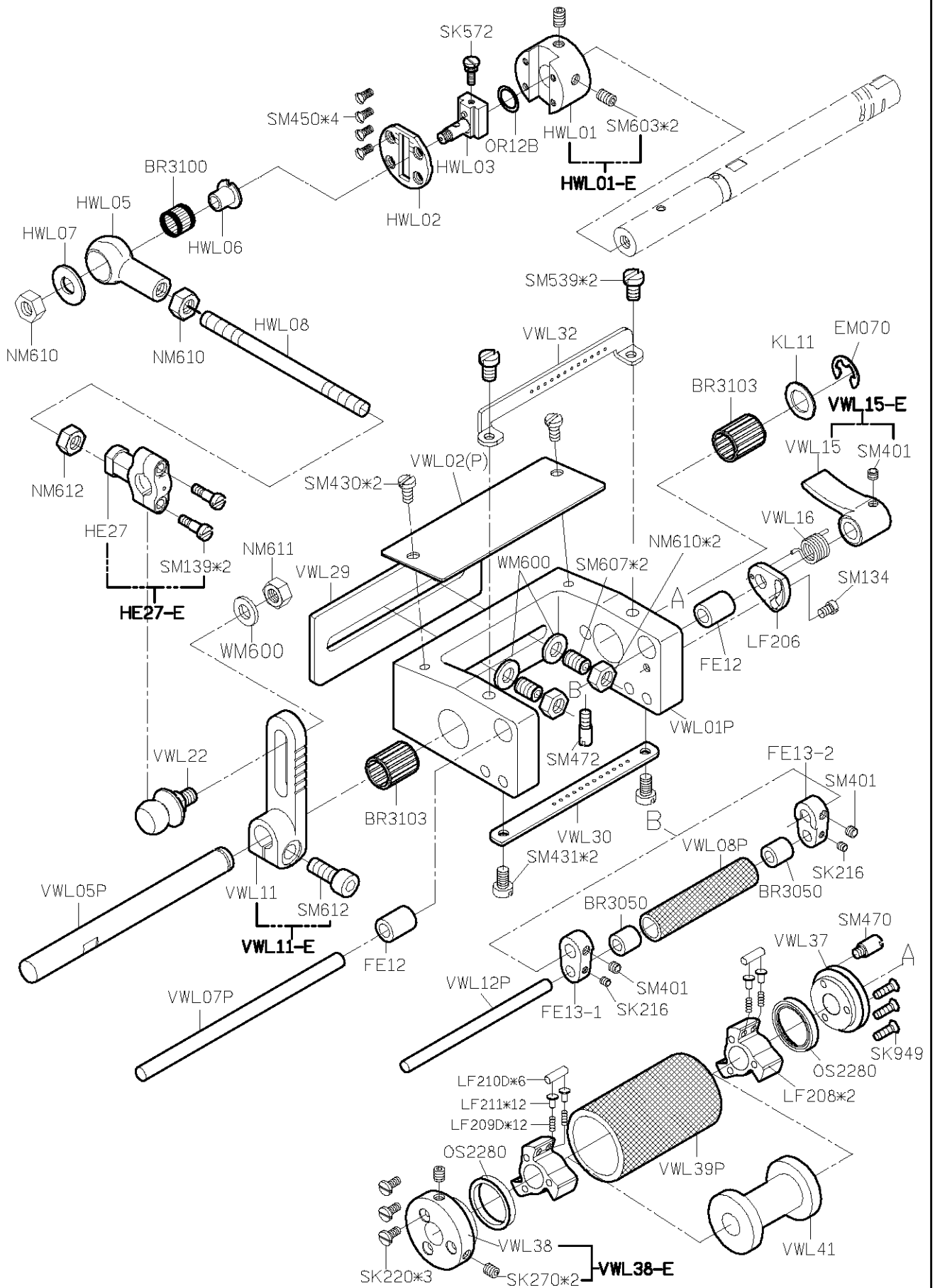
A

B

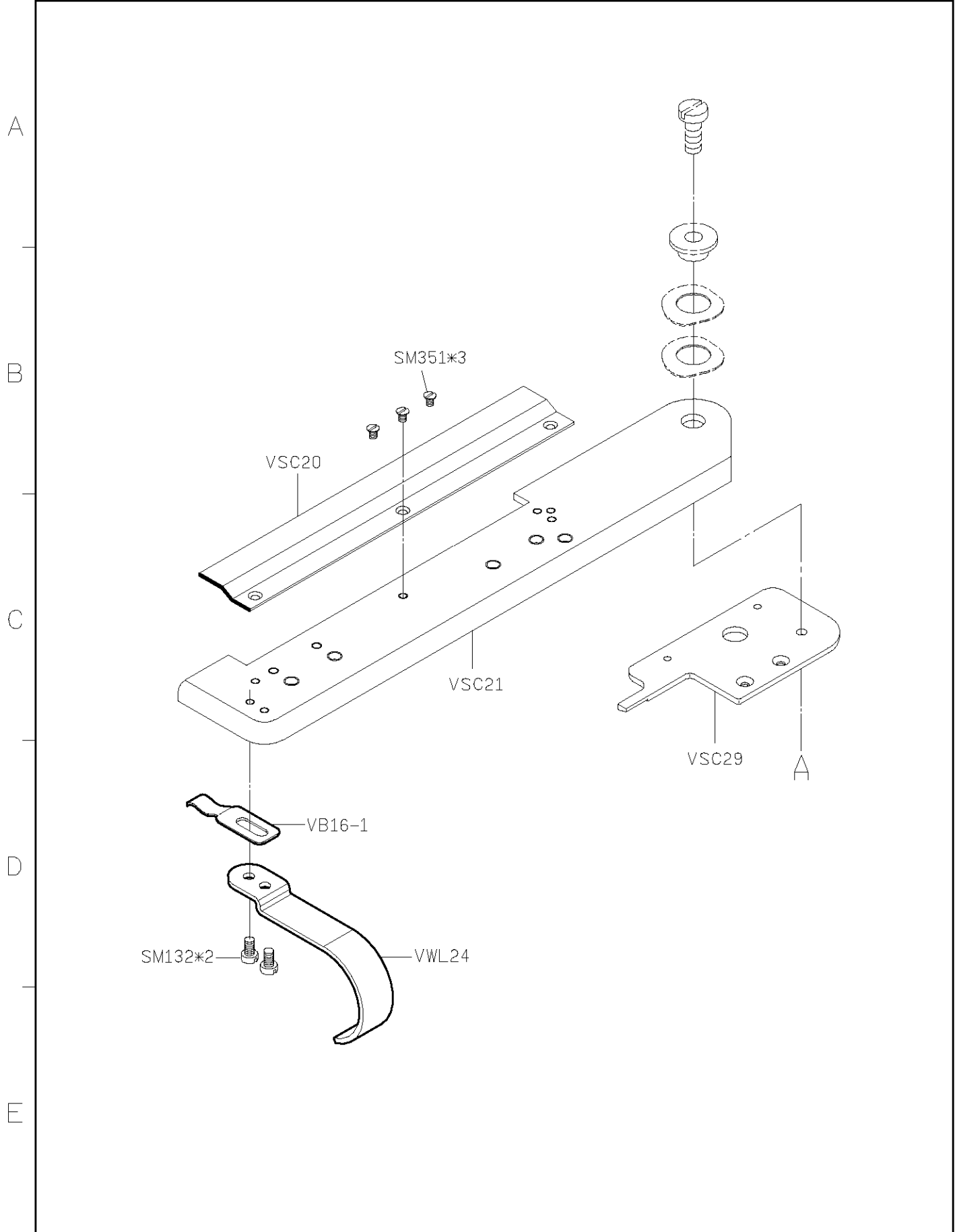
C

D

E



<b>SIRUBA</b>  <b>PARTS LIST</b>	<b>Series</b>	<b>Parts Group</b>	<b>Subclass / Remark</b>	<b>Page</b>
	<b>VC008</b>	<b>VSC</b>		<b>4/7</b>
				<b>Date</b>
				2014/05/23



<b>SIRUBA</b> <b>PARTS LIST</b>	<b>Series</b>	<b>Parts Group</b>	<b>Subclass / Remark</b>	<b>Page</b>
	<b>VC008</b>	<b>VSC</b>		5/7
				<b>Date</b>
				2012/08/21

OPTION:VZ09C-A(1/2)

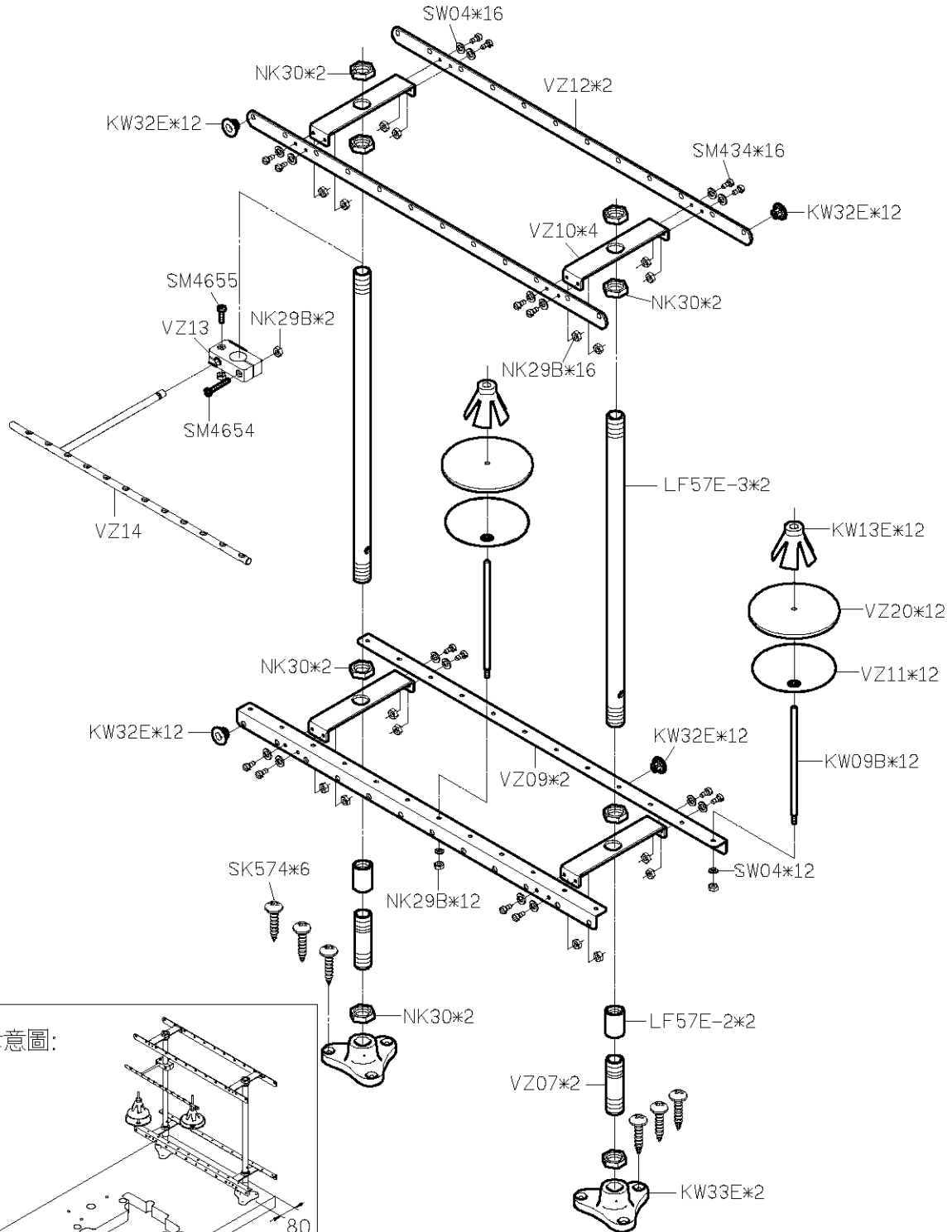
A

B

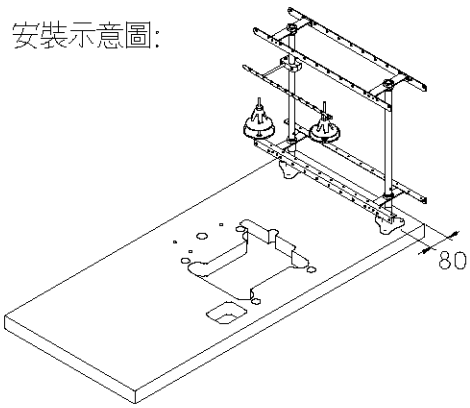
C

D

E



安裝示意圖:



1

2

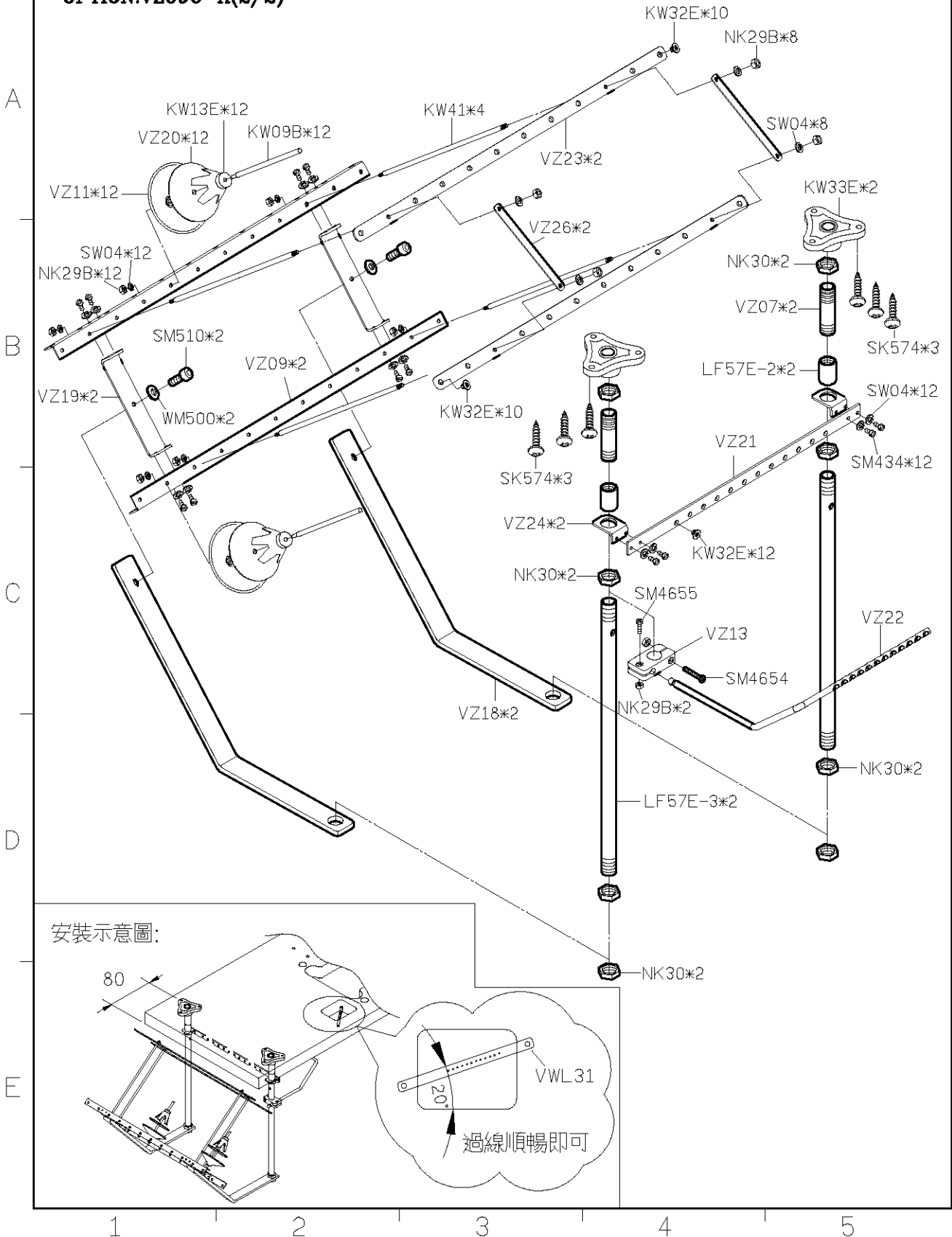
3

4

5

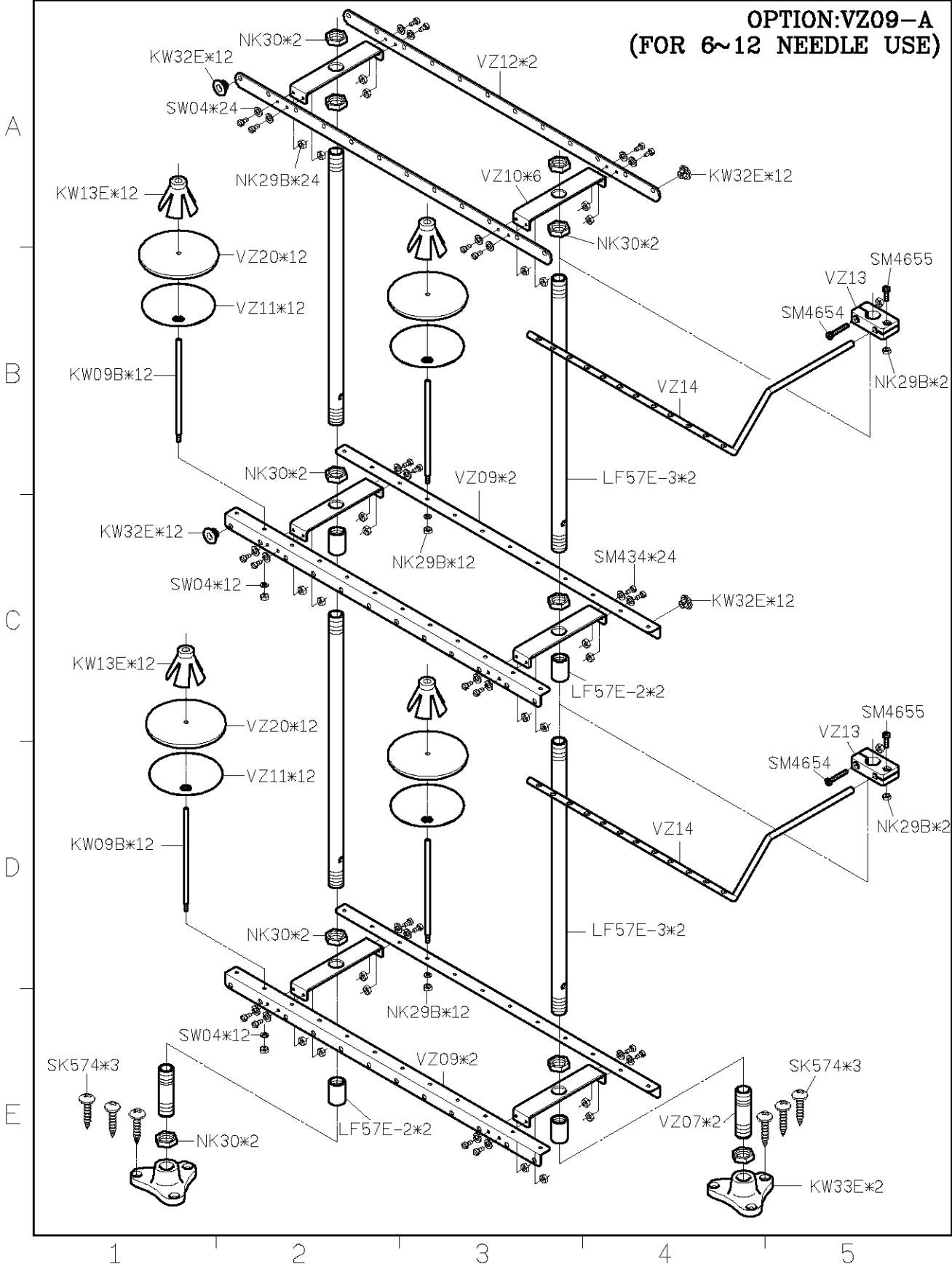
SIRUBA PARTS LIST	Series	Parts Group	Subclass / Remark	Page
	VC008	VSC		6/7
				Date
				2012/08/21

OPTION:VZ09C-A(2/2)



<b>SIRUBA</b> <b>PARTS LIST</b>	<b>Series</b>	<b>Parts Group</b>	<b>Subclass / Remark</b>	<b>Page</b>
	<b>VC008</b>	<b>VSC</b>		7/7
				<b>Date</b>
				2012/08/21

**OPTION:VZ09-A  
(FOR 6~12 NEEDLE USE)**



<b>SIRUBA</b> <b>PARTS LIST</b>	<b>Series</b>		<b>Parts Group</b>	<b>Subclass / Remark</b>	<b>Page</b>
	<b>VC008</b>		<b>VSF</b>		1/1
					<b>Date</b>
					2012/09/21

規格 SVB CLASS 代號 CODE	產品寬 FINISHED SIZE	入布寬 TAPE SIZE	針距 NEEDLE HOLDER	機種 MODEL
B529	13/8"	23/8"	1/4- 3/4- 1/4	0464-191
B529P	11/2"	21/2"	3/16- 1- 3/16	0448-254
B529Q	15/8"	25/8"	1/4- 1- 1/4	0464-254

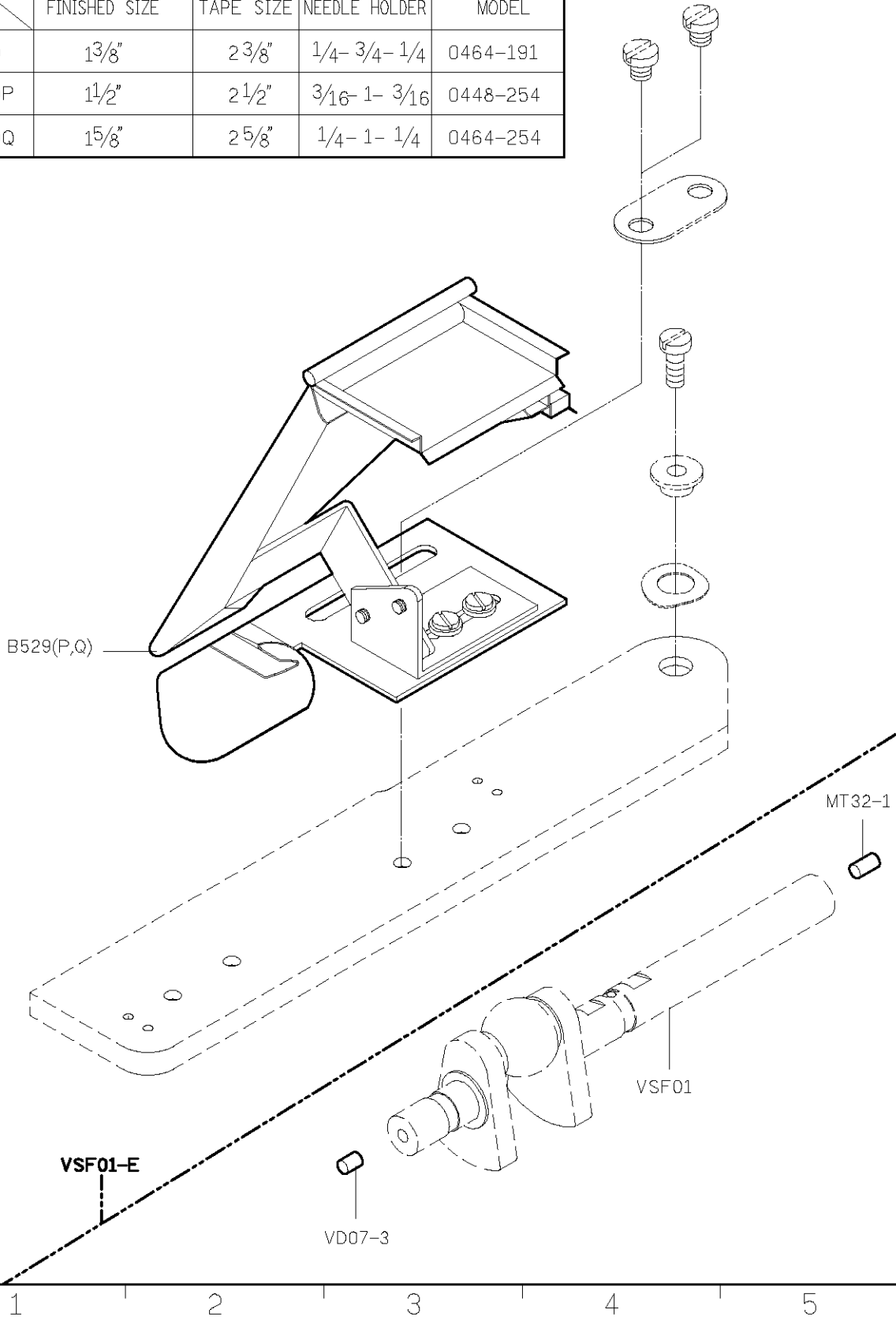
A

B

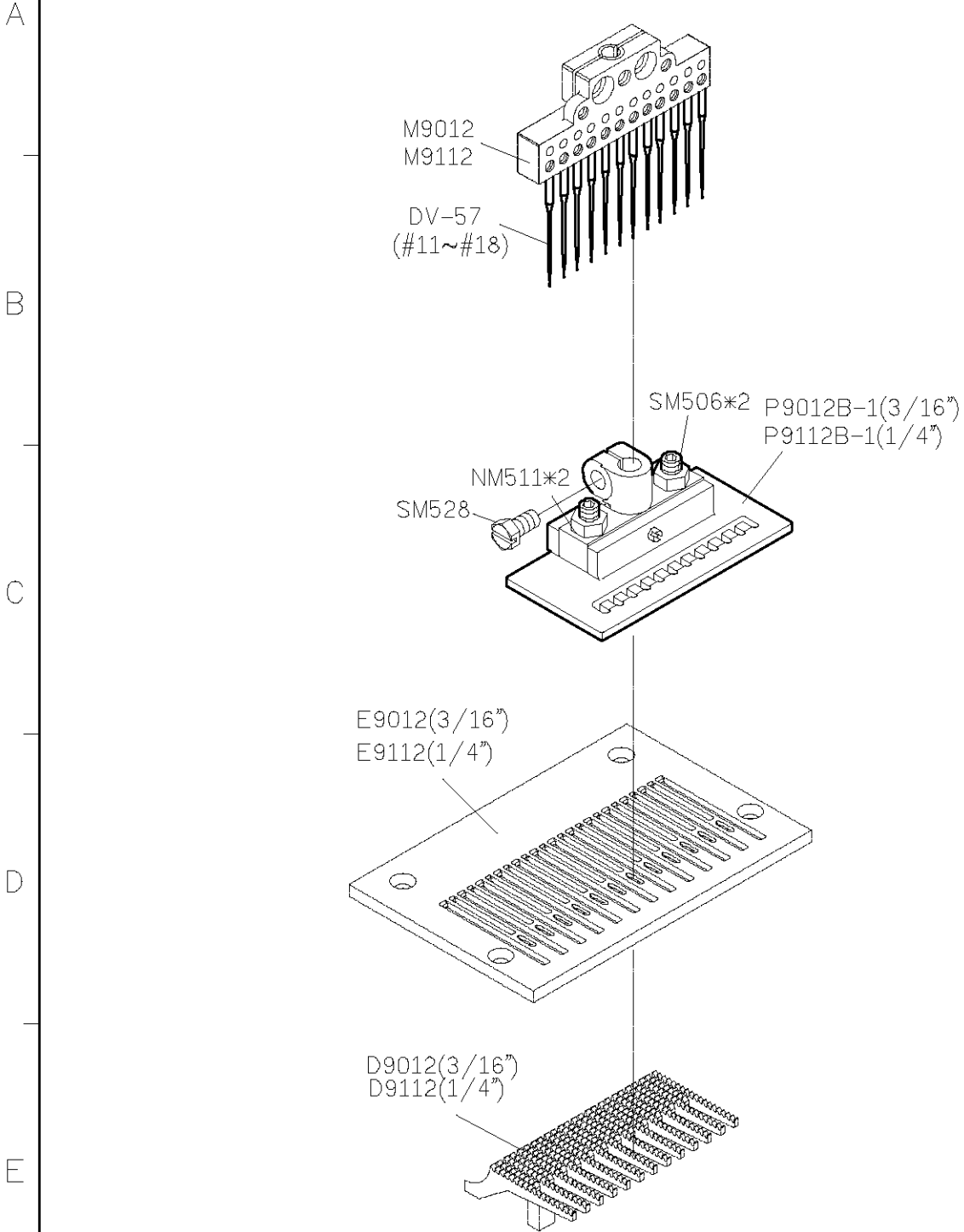
C

D

E



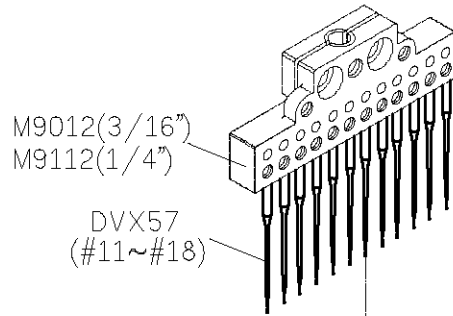
<b>SIRUBA</b> <b>PARTS LIST</b>	<b>Series</b>	<b>Parts Group</b>	<b>Subclass / Remark</b>	<b>Page</b>
	<b>VC008</b>	<b>VSM</b>		<b>1/15</b>
				<b>Date</b>
				<b>2012/09/23</b>



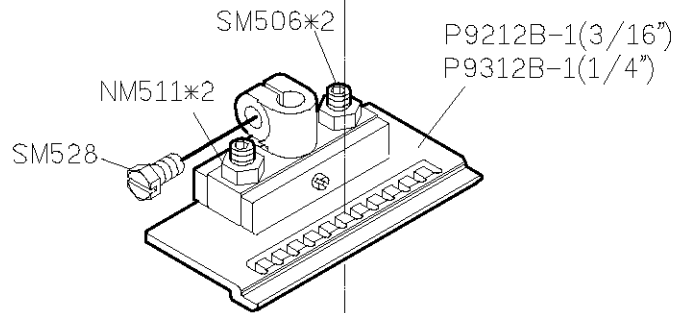


<b>SIRUBA</b> <b>PARTS LIST</b>	<b>Series</b>	<b>Parts Group</b>	<b>Subclass / Remark</b>	<b>Page</b>
	<b>VC008</b>	<b>VSSM</b>		2/15
				<b>Date</b>
				2012/08/23

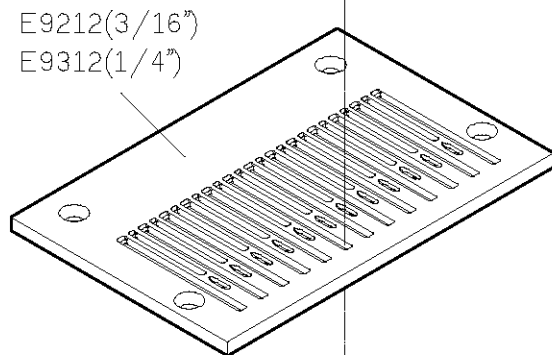
A



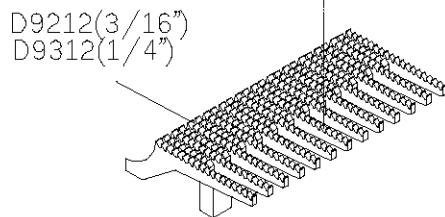
B



C



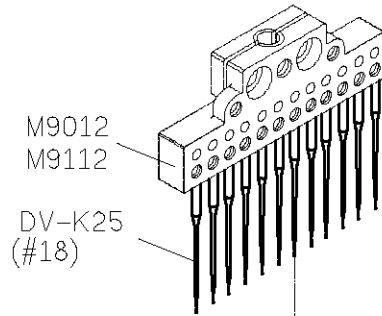
D



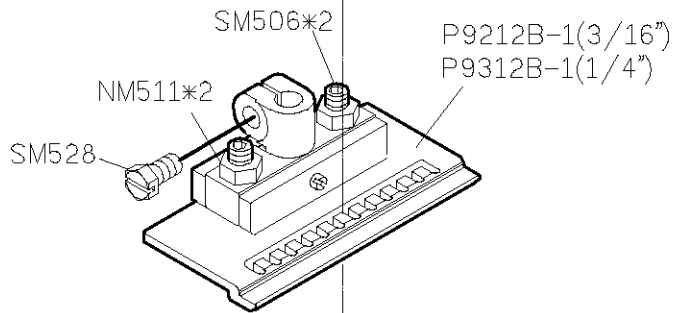
E

<b>SIRUBA</b> <b>PARTS LIST</b>	<b>Series</b>	<b>Parts Group</b>	<b>Subclass / Remark</b>	<b>Page</b>
	<b>VC008</b>	<b>VSQ</b>		3/15
				<b>Date</b>
				2012/08/23

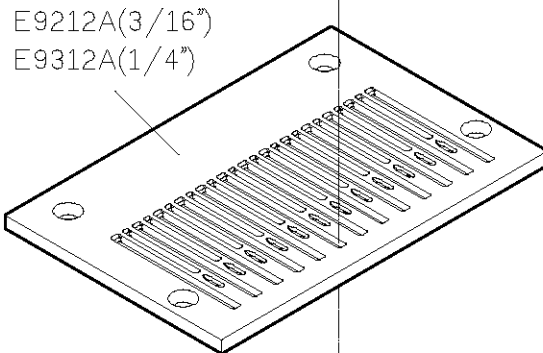
A



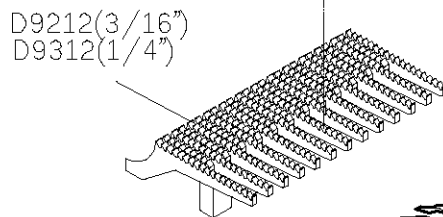
B



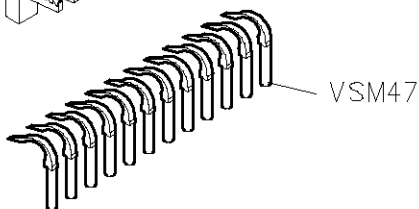
C



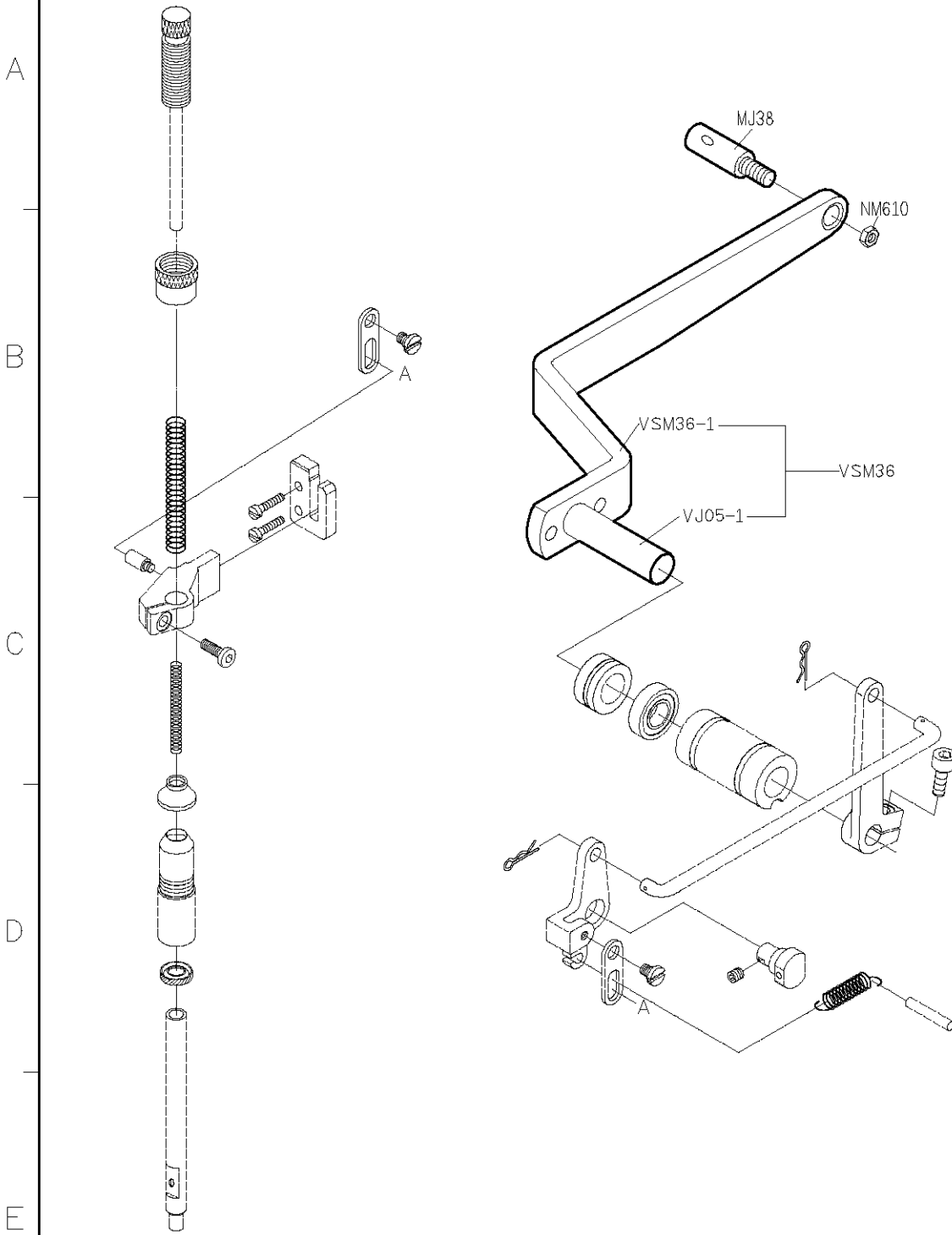
D



E

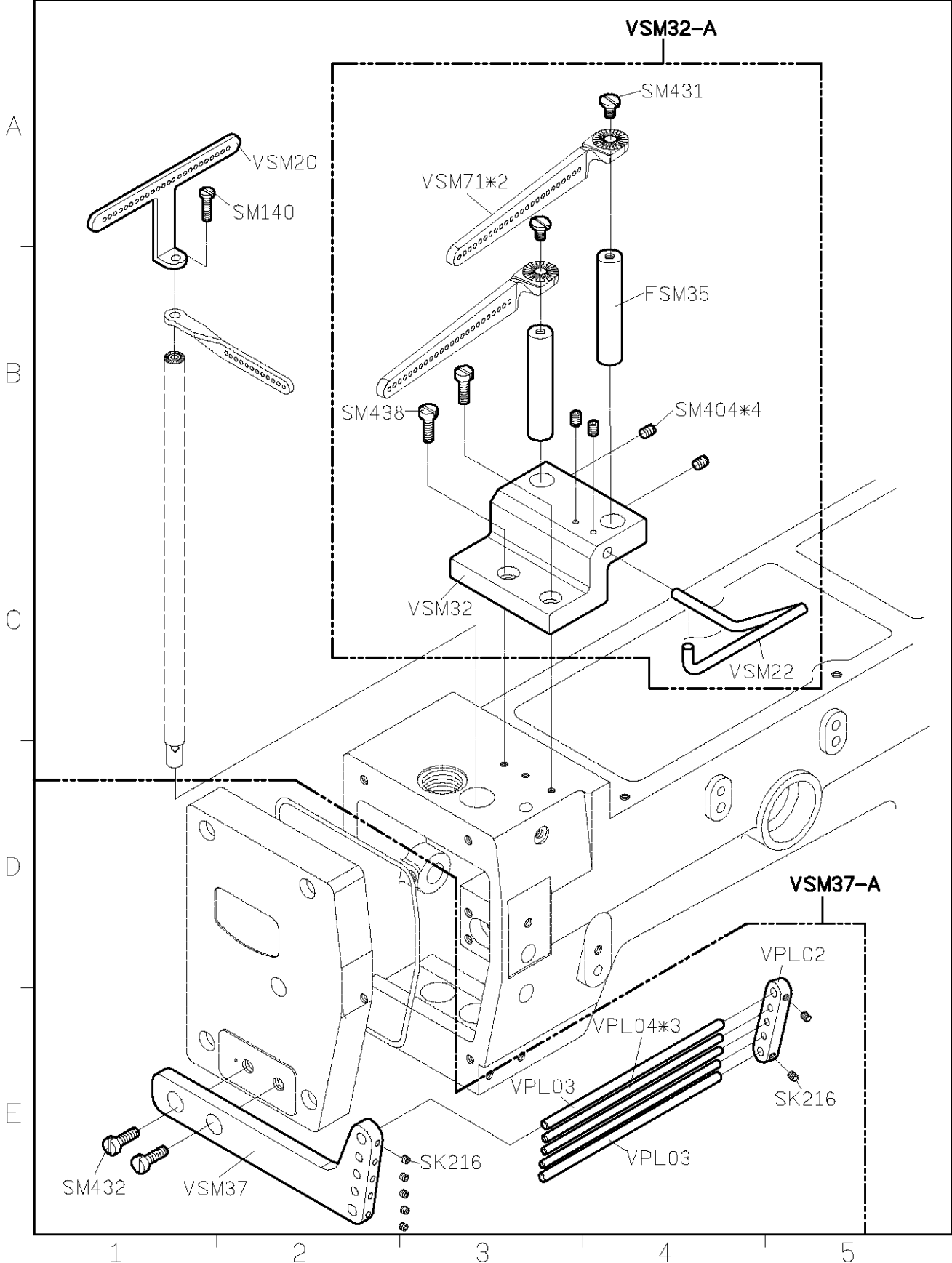


SIRUBA PARTS LIST	Series	Parts Group	Subclass / Remark	Page
	VC008	VSM/VSSM VSQ		4/15
				Date
				2012/08/23

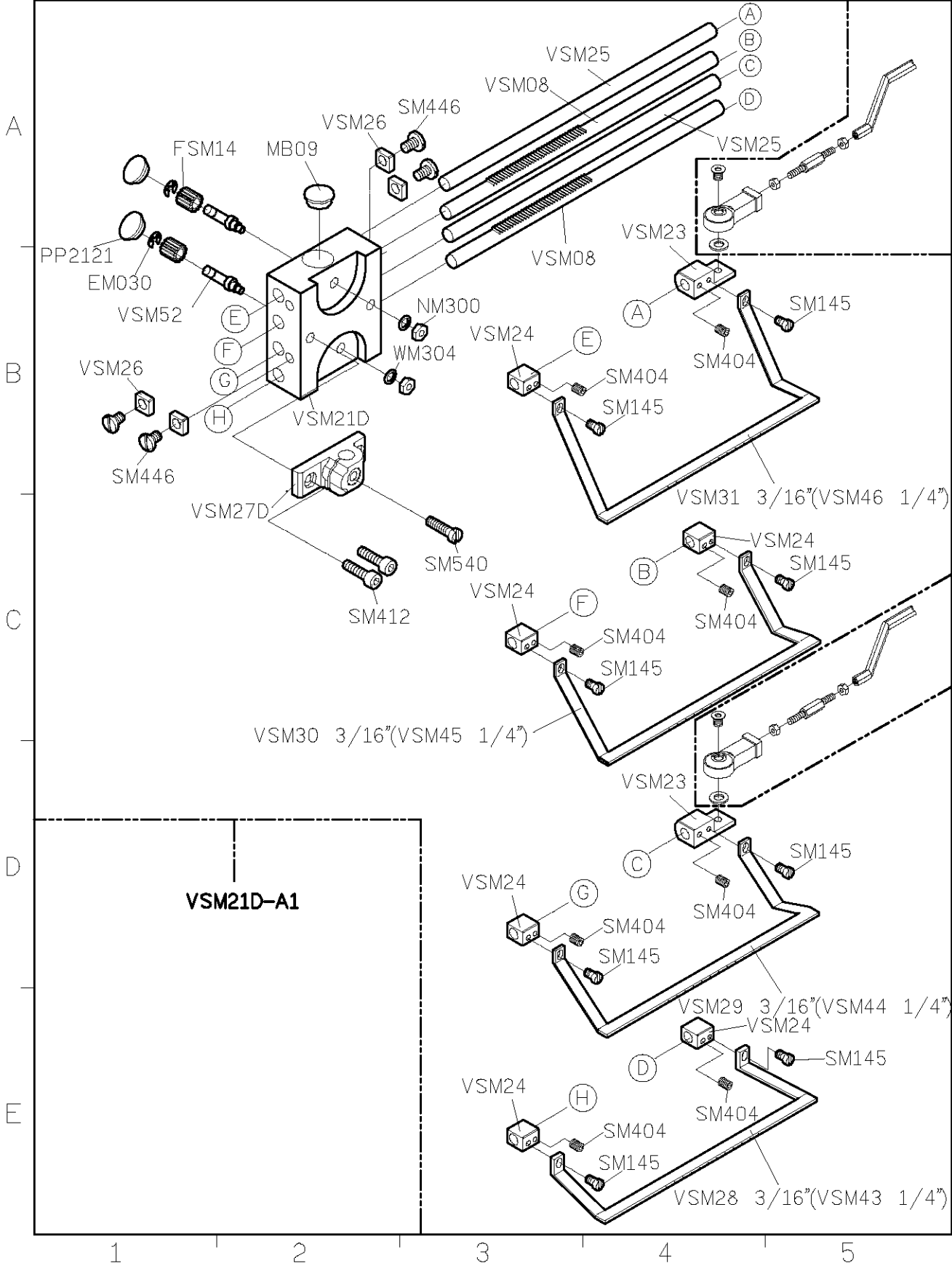


1                      2                      3                      4                      5

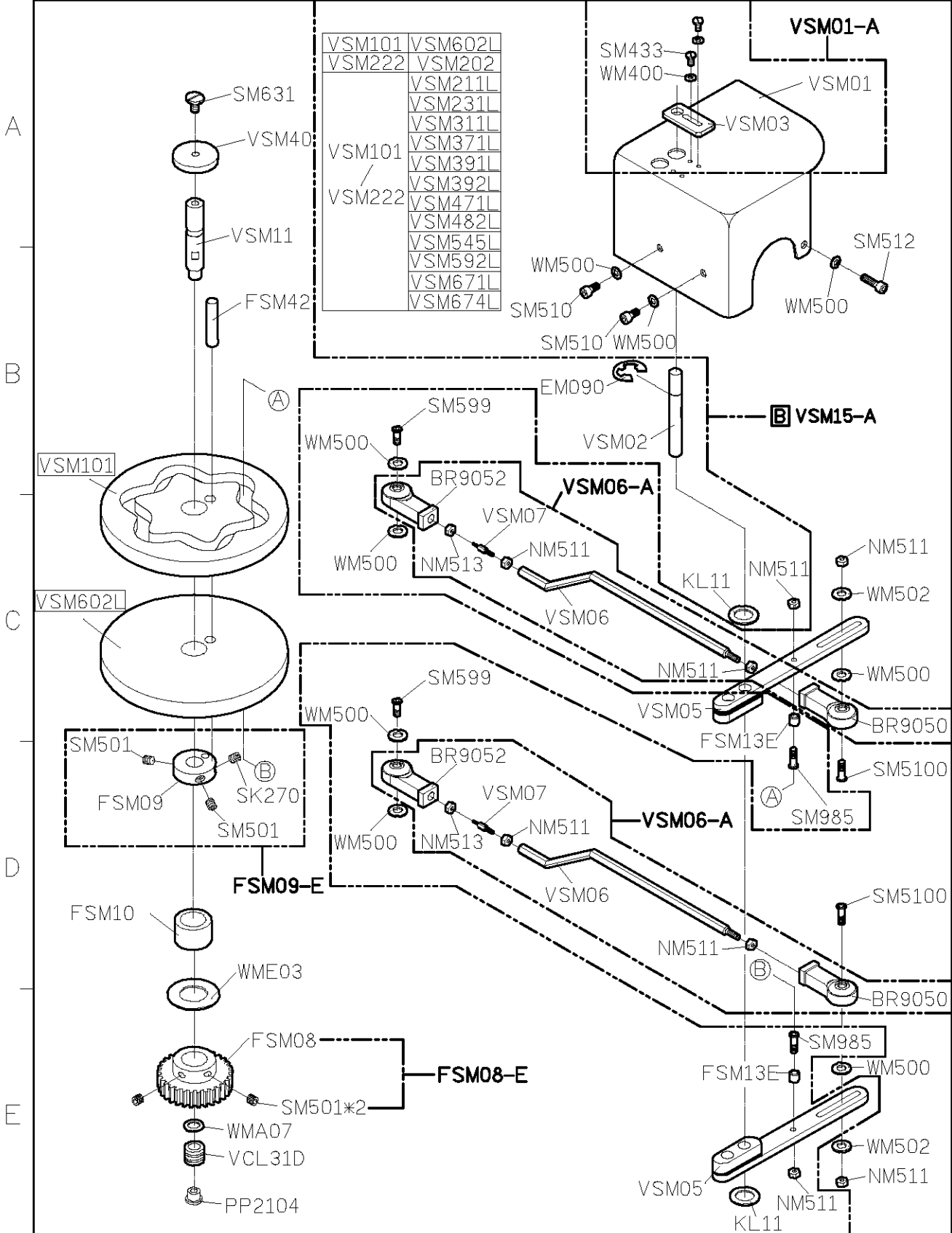
SIRUBA PARTS LIST	Series	Parts Group	Subclass / Remark	Page
	<b>VC008</b>	<b>VSM/VSSM VSQ</b>		5/15
				Date
				2012/09/23



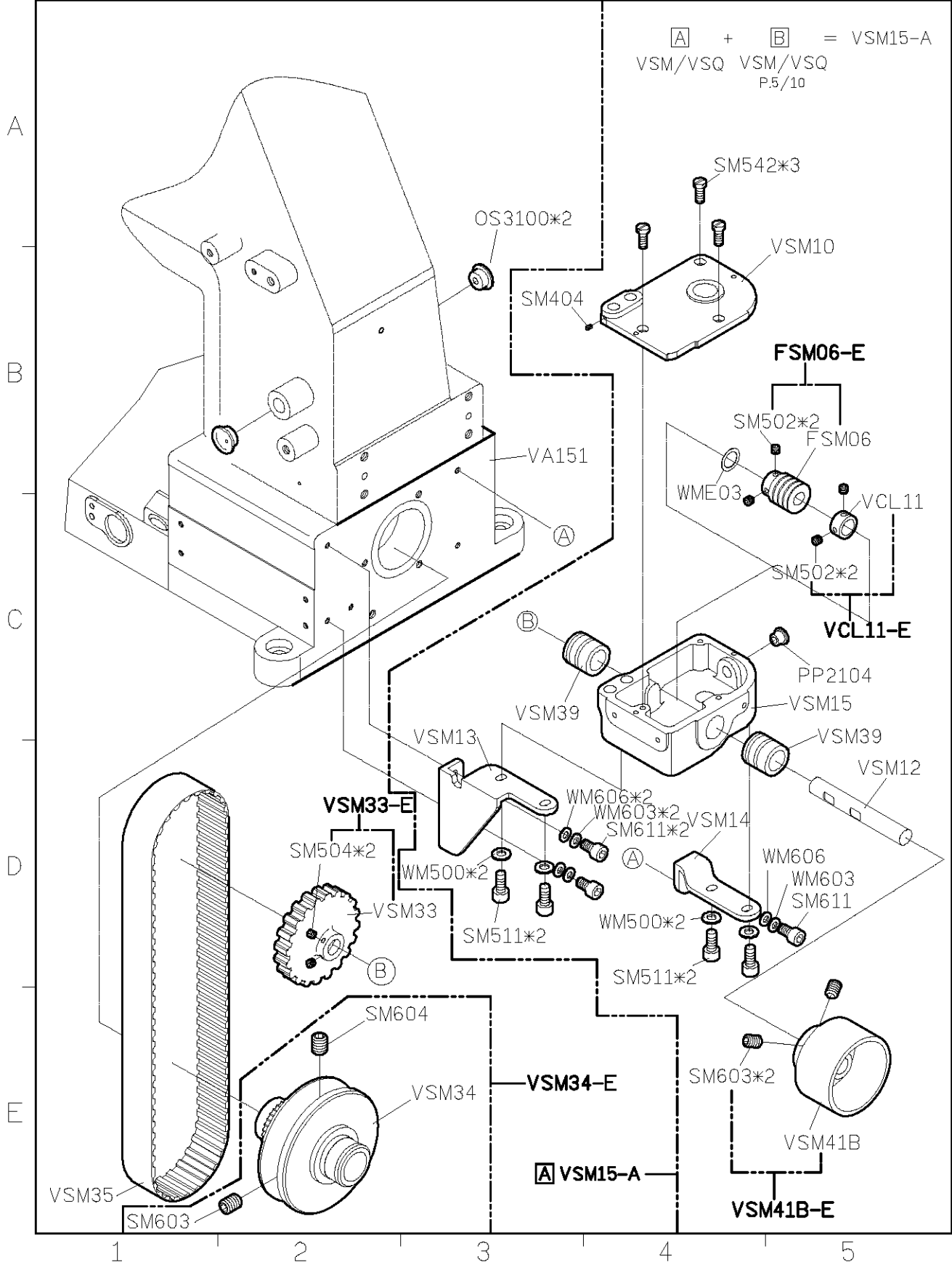
SIRUBA PARTS LIST	Series	Parts Group	Subclass / Remark	Page
	<b>VC008</b>	<b>VSM/VSSM VSQ</b>		6/15
				Date
				2012/09/23



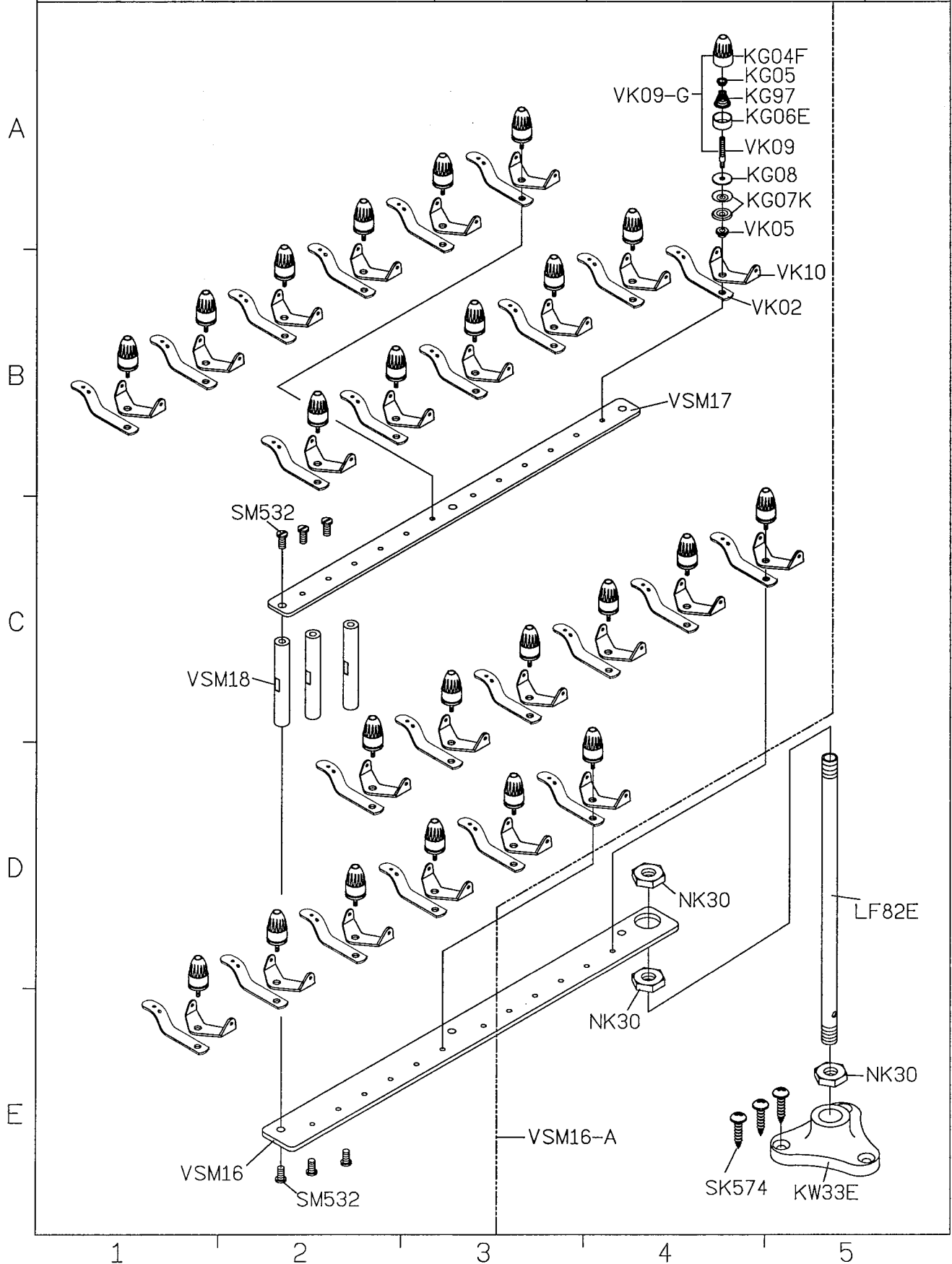
<b>SIRUBA</b> <b>PARTS LIST</b>	<b>Series</b>	<b>Parts Group</b>	<b>Subclass / Remark</b>	<b>Page</b>
	<b>VC008</b>	<b>VSM/VSSM</b> <b>VSQ</b>		<b>7/15</b>
				<b>Date</b>
				<b>2012/09/23</b>



SIRUBA PARTS LIST	Series	Parts Group	Subclass / Remark	Page
	VC008	VSM/VSSM VSQ		8/15
				Date
				2012/08/23

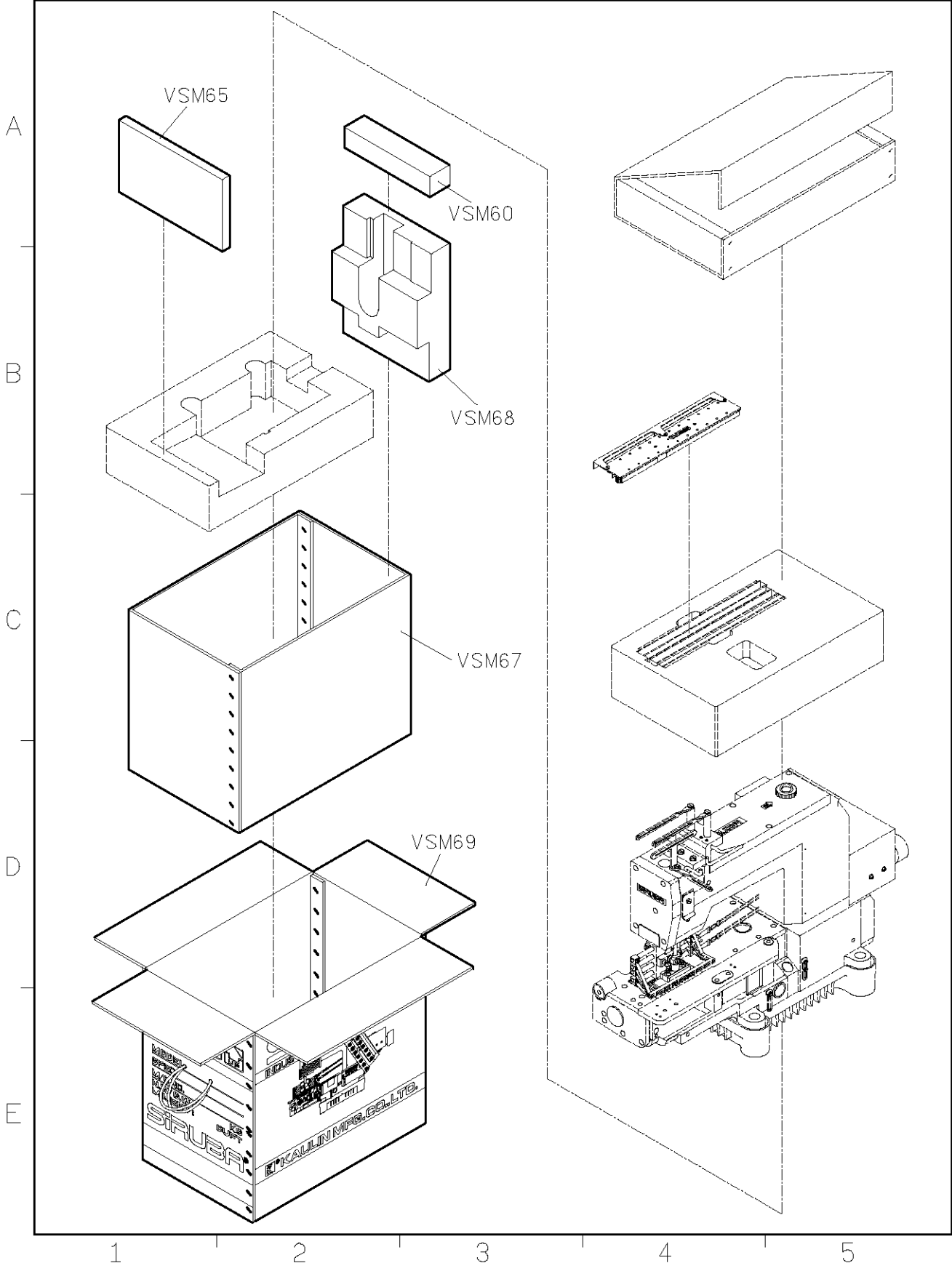


<b>SIRUBA</b> PARTS LIST	Series	Parts Group	Subclass / Remark	Page
	<b>VC008</b>	<b>VSM/VSSM VSQ</b>		9/15
				Date
				2015/08/05



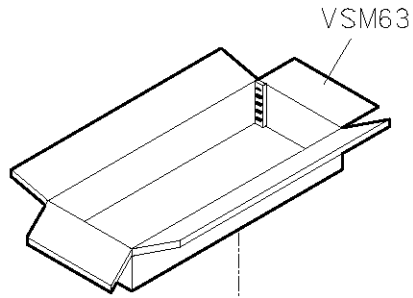


SIRUBA PARTS LIST	Series	Parts Group	Subclass / Remark	Page
	VC008	VSM/VSSM VSQ		10/15
				Date
				2012/08/23

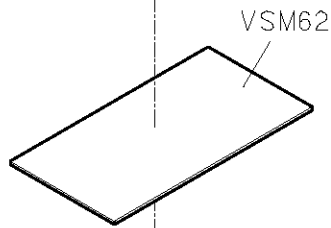


SIRUBA PARTS LIST	Series	Parts Group	Subclass / Remark	Page
	VC008	VSM/VSSM VSQ		11/15
				Date
				2012/08/23

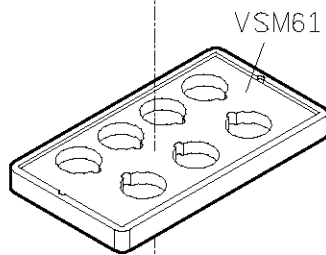
A



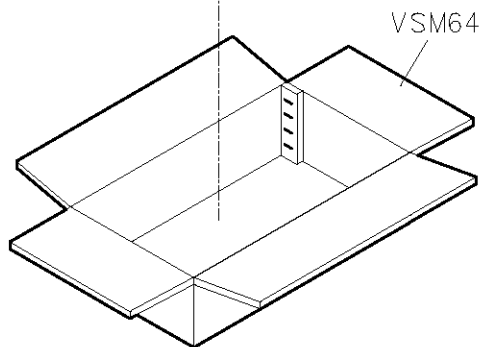
B



C



D



E

1

2

3

4

5

SIRUBA PARTS LIST	Series	Parts Group	Subclass / Remark	Page
	VC008	VSM/VSSM VSQ		12/15
				Date
				2012/08/23

OPTION:VSM38-A

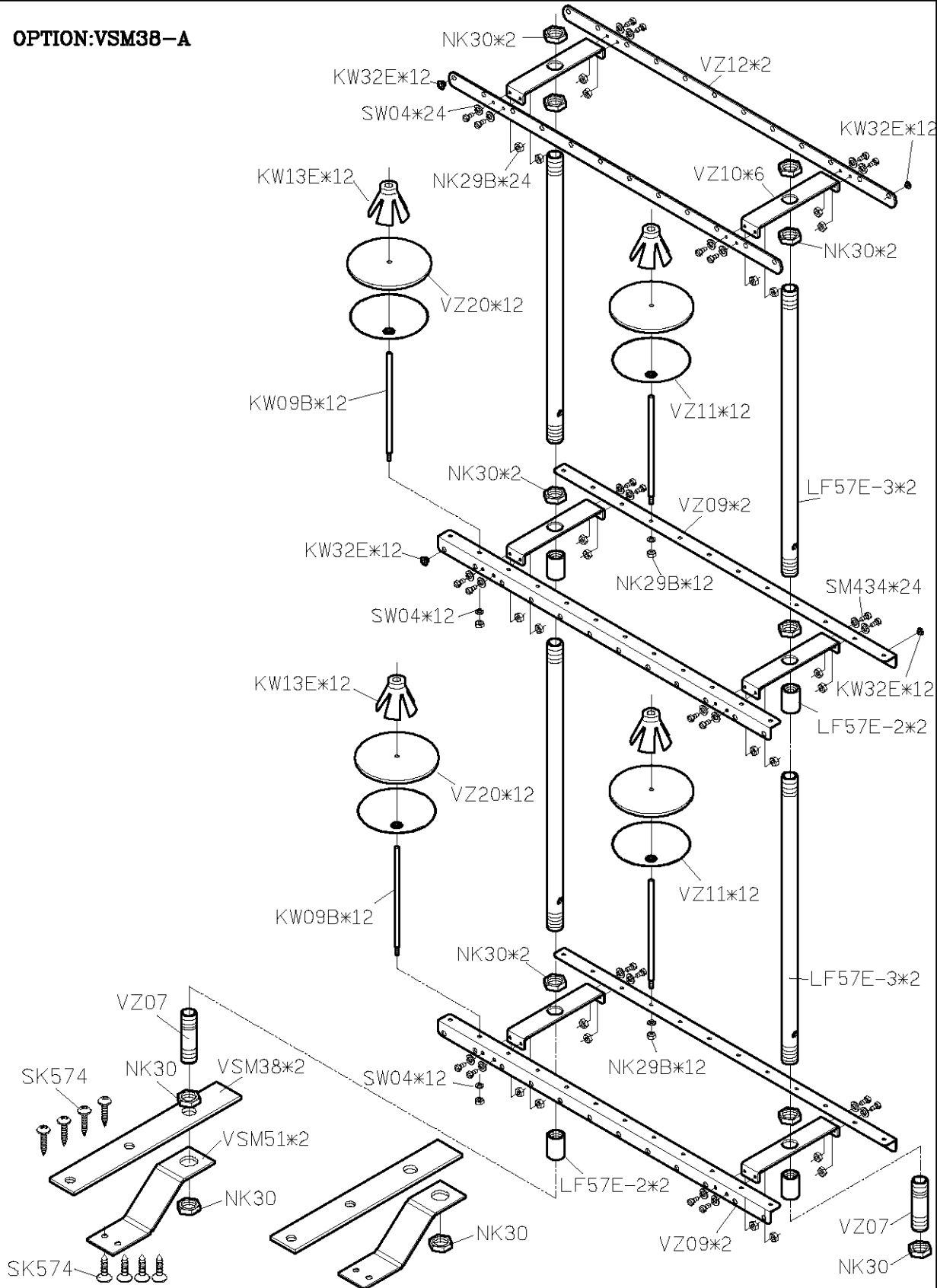
A

B

C

D

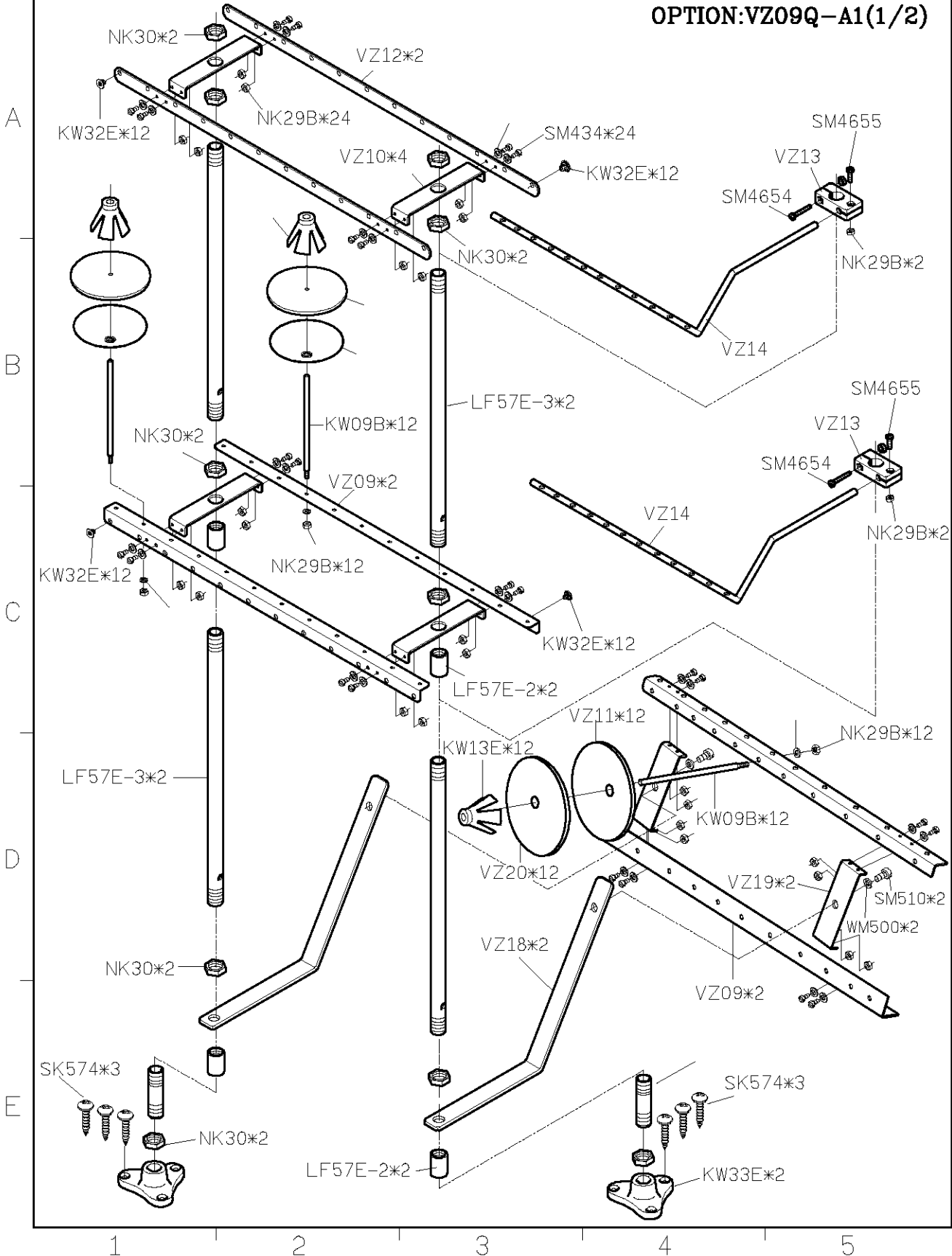
E



1 2 3 4 5

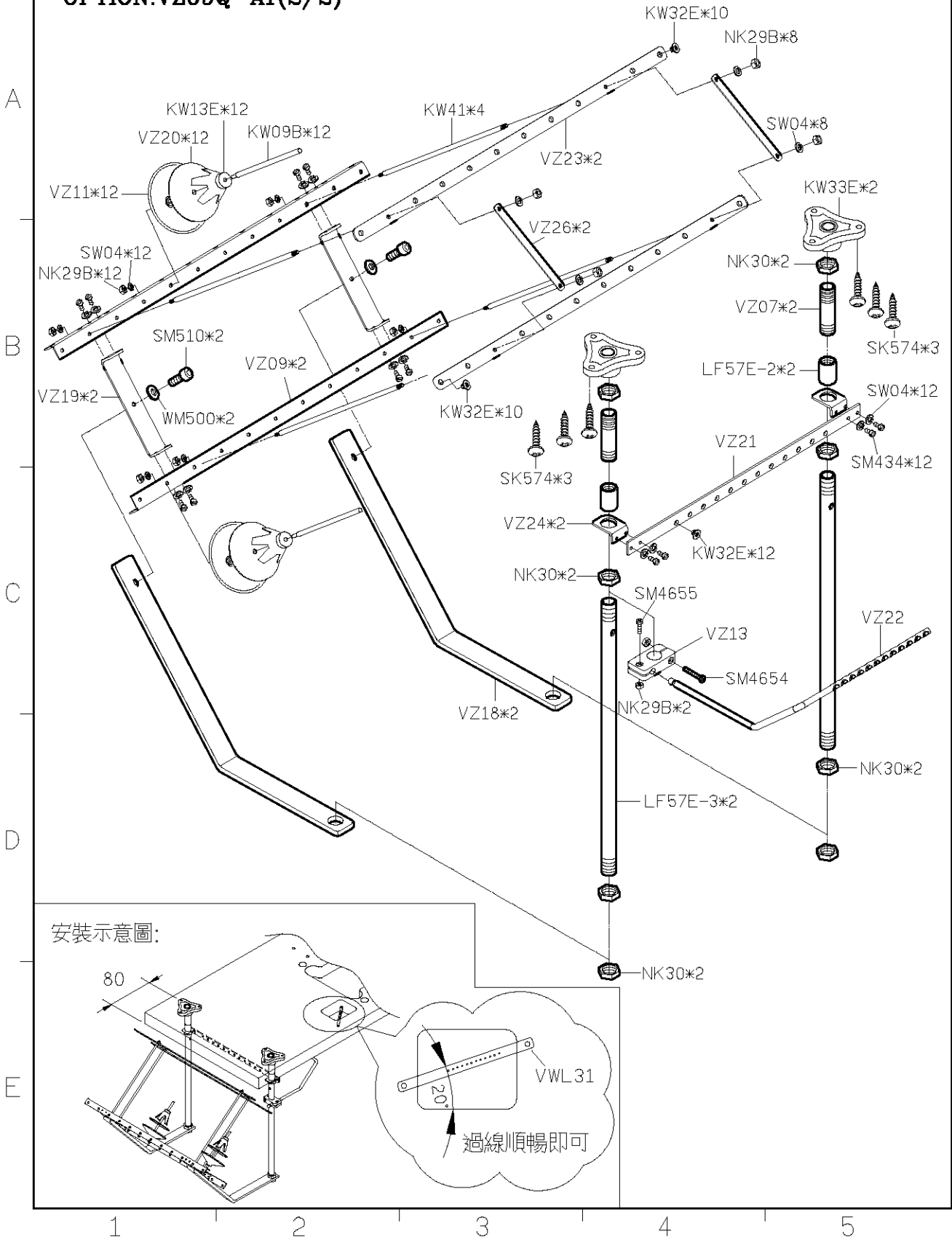
<b>SIRUBA</b> <b>PARTS LIST</b>	<b>Series</b>	<b>Parts Group</b>	<b>Subclass / Remark</b>	<b>Page</b>
	<b>VC008</b>	<b>VSSM</b>		13/15
				<b>Date</b>
				2012/11/15

OPTION:VZ09Q-A1(1/2)



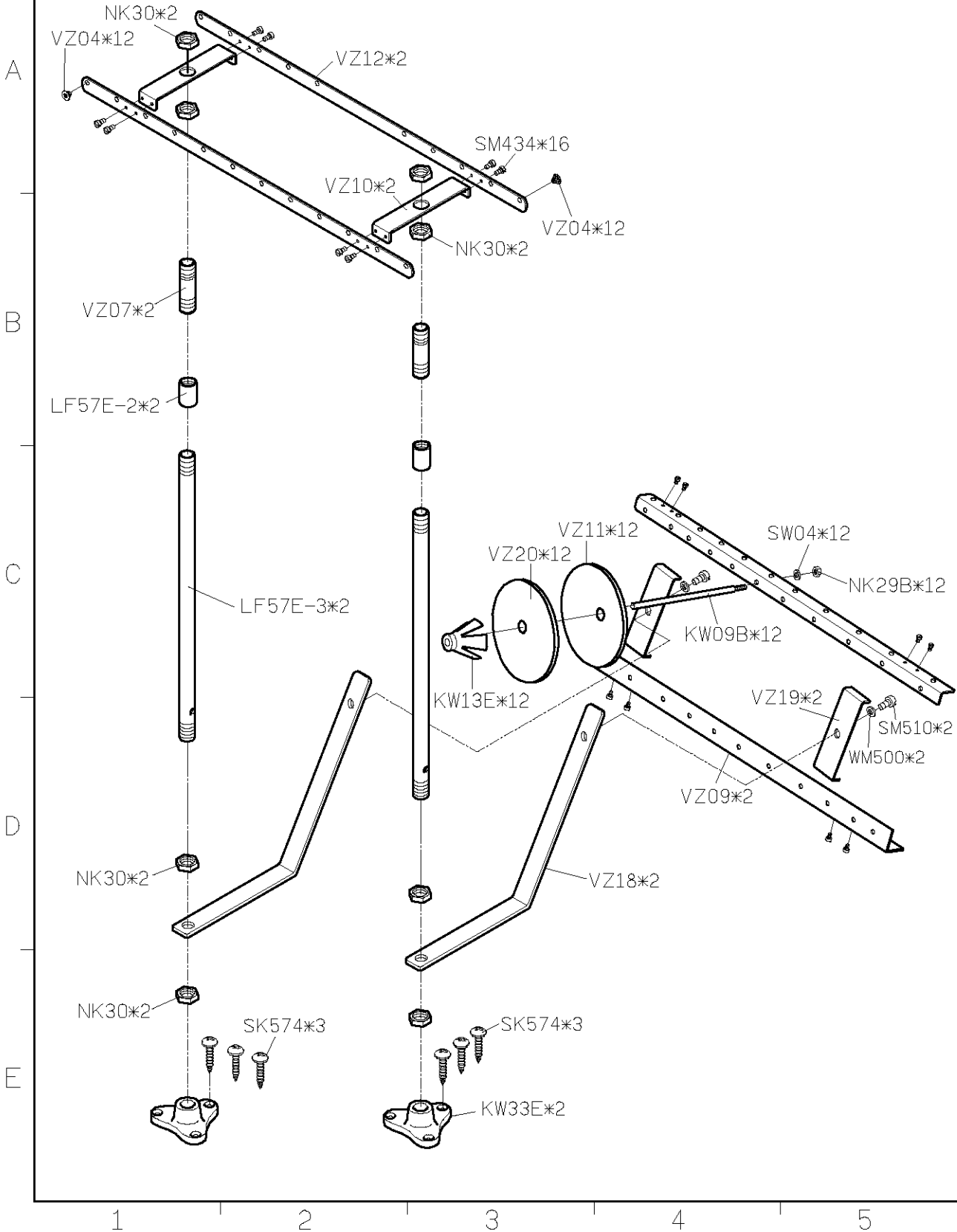
SIRUBA PARTS LIST	Series	Parts Group	Subclass / Remark	Page
	VC008	VSSM		14/15
				Date
				2012/11/15

OPTION:VZ09Q-A1(2/2)

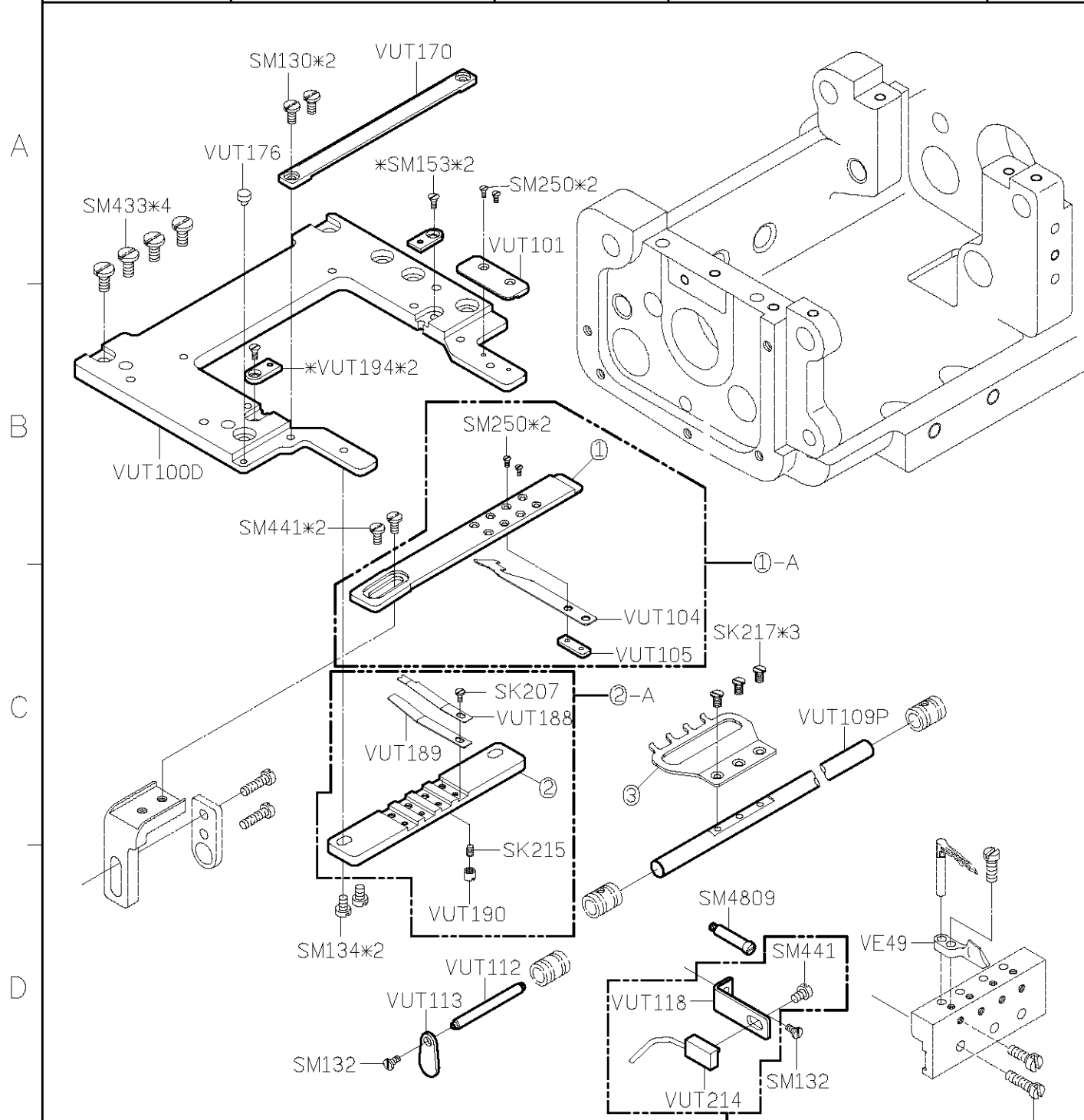


<b>SIRUBA</b> <b>PARTS LIST</b>	<b>Series</b>	<b>Parts Group</b>	<b>Subclass / Remark</b>	<b>Page</b>
	<b>VC008</b>	<b>VSQ</b>		15/15
				<b>Date</b>
				2012/08/23

OPTION:VZ09-A2

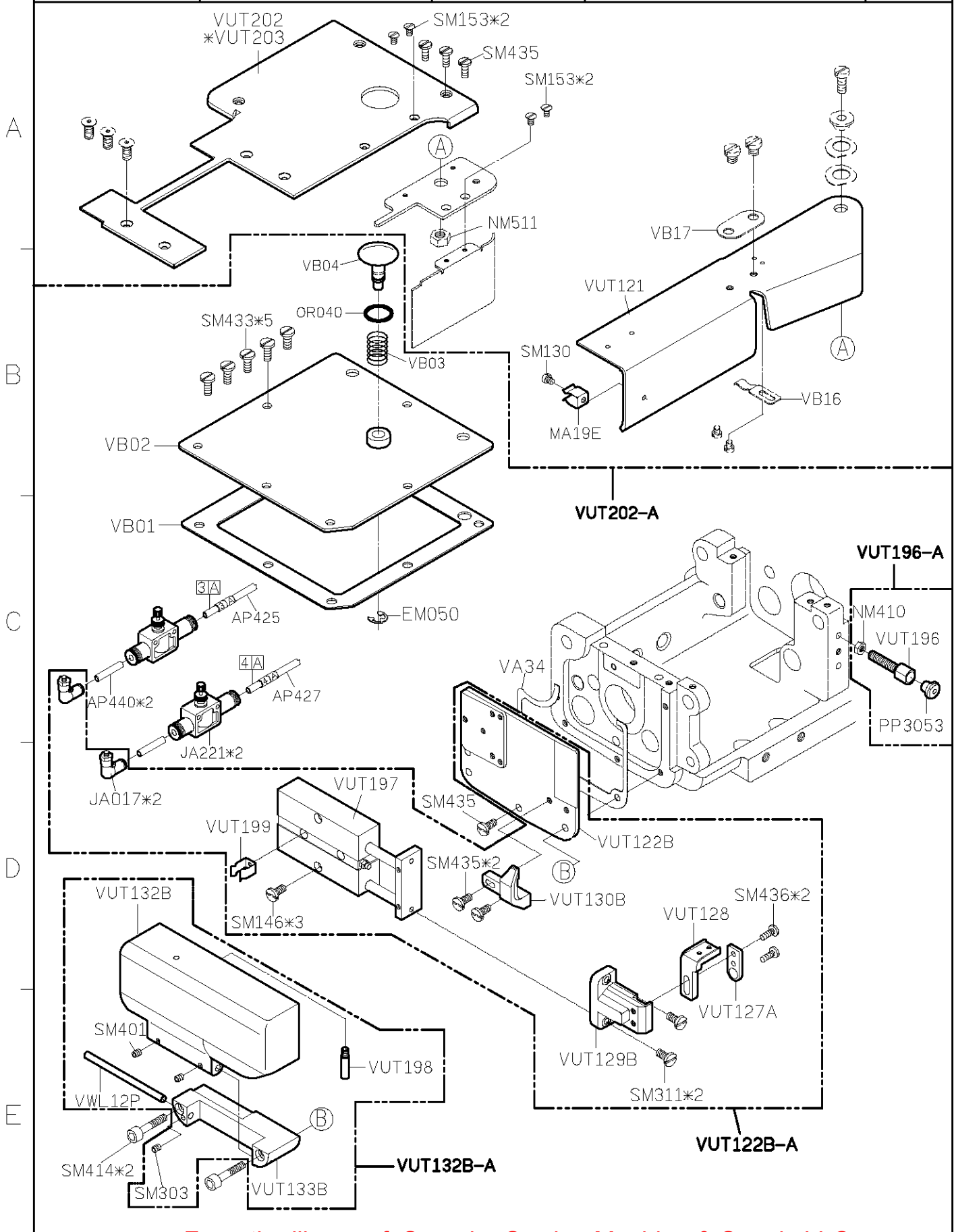


<b>SIRUBA</b> <b>PARTS LIST</b>	<b>Series</b>	<b>Parts Group</b>	<b>Subclass / Remark</b>	<b>Page</b>
	<b>VC008</b>	<b>VUT</b>		1/7
				<b>Date</b>
				2012/11/13



機 型 規 格		①	②	③
VC008-04	064	VUT184P	VUT187P	VUT108P
	085	VUT184Q	VUT187Q	VUT108Q
	095	VUT184R	VUT187R	VUT108R
	106	VUT184S	VUT187S	VUT108S
	127	VUT184T	VUT187T	VUT108T
VC008-06	064	VUT184V	VUT187V	VUT108V
VC008-08	064	VUT211	VUT212	VUT210
VC008-12	050	VUT184U	VUT187U	VUT108U

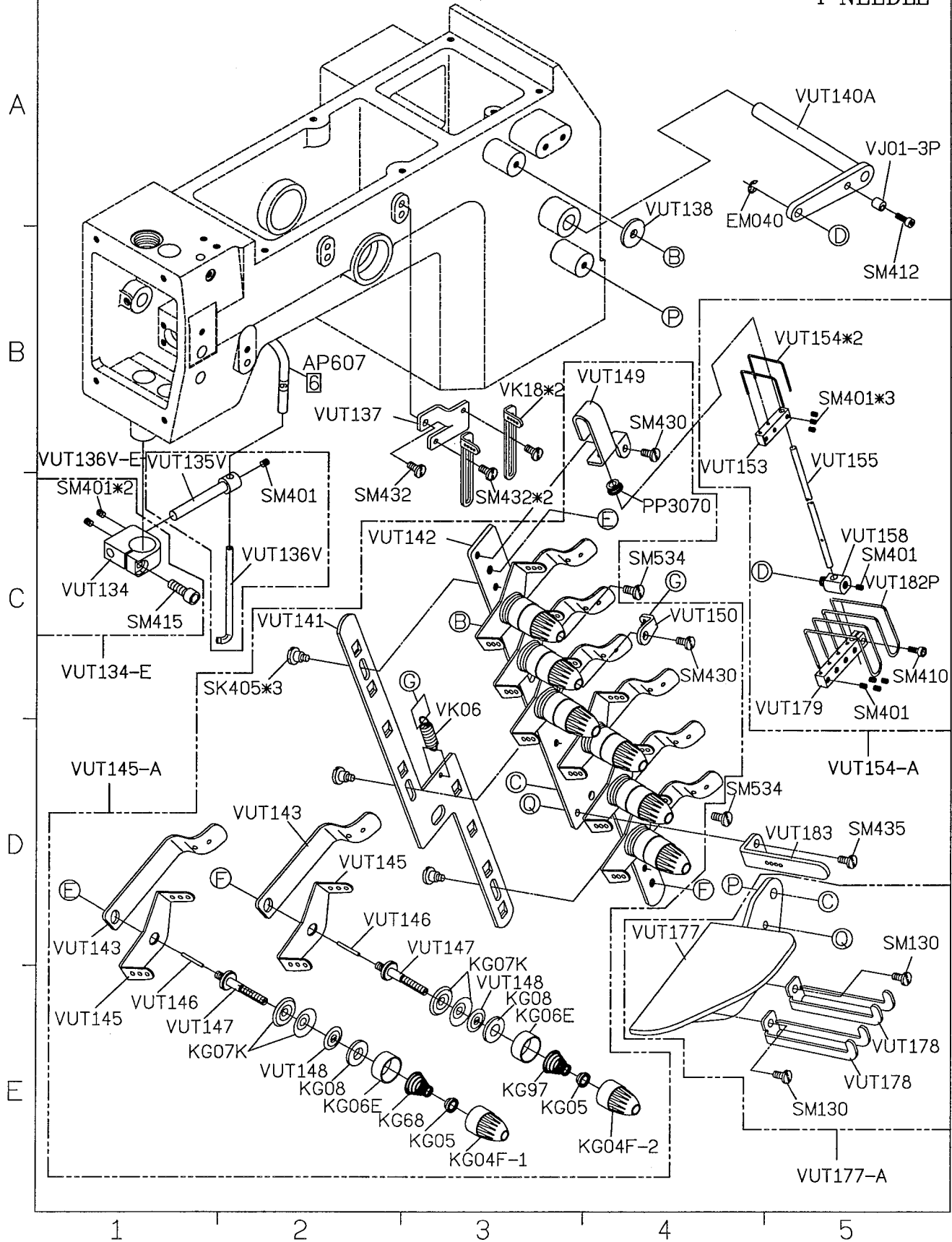
SIRUBA PARTS LIST	Series	Parts Group	Subclass / Remark	Page
	<b>VC008</b>	<b>VUT</b>		2/7
				Date
				2012/08/21





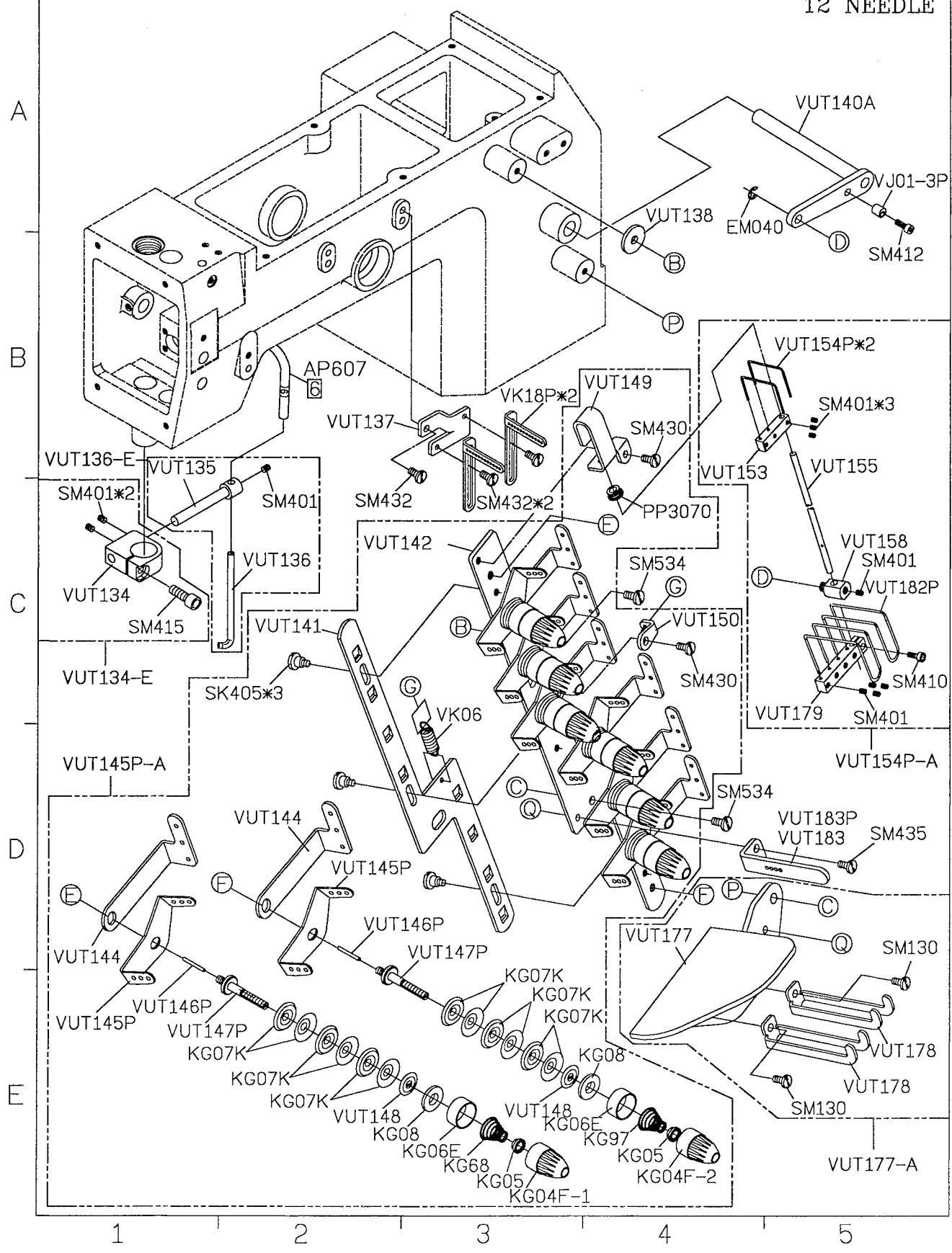
SIRUBA PARTS LIST	Series	Parts Group	Subclass / Remark	Page
	VC008	VUT		3/7
				Date
				2015/08/05

4 NEEDLE



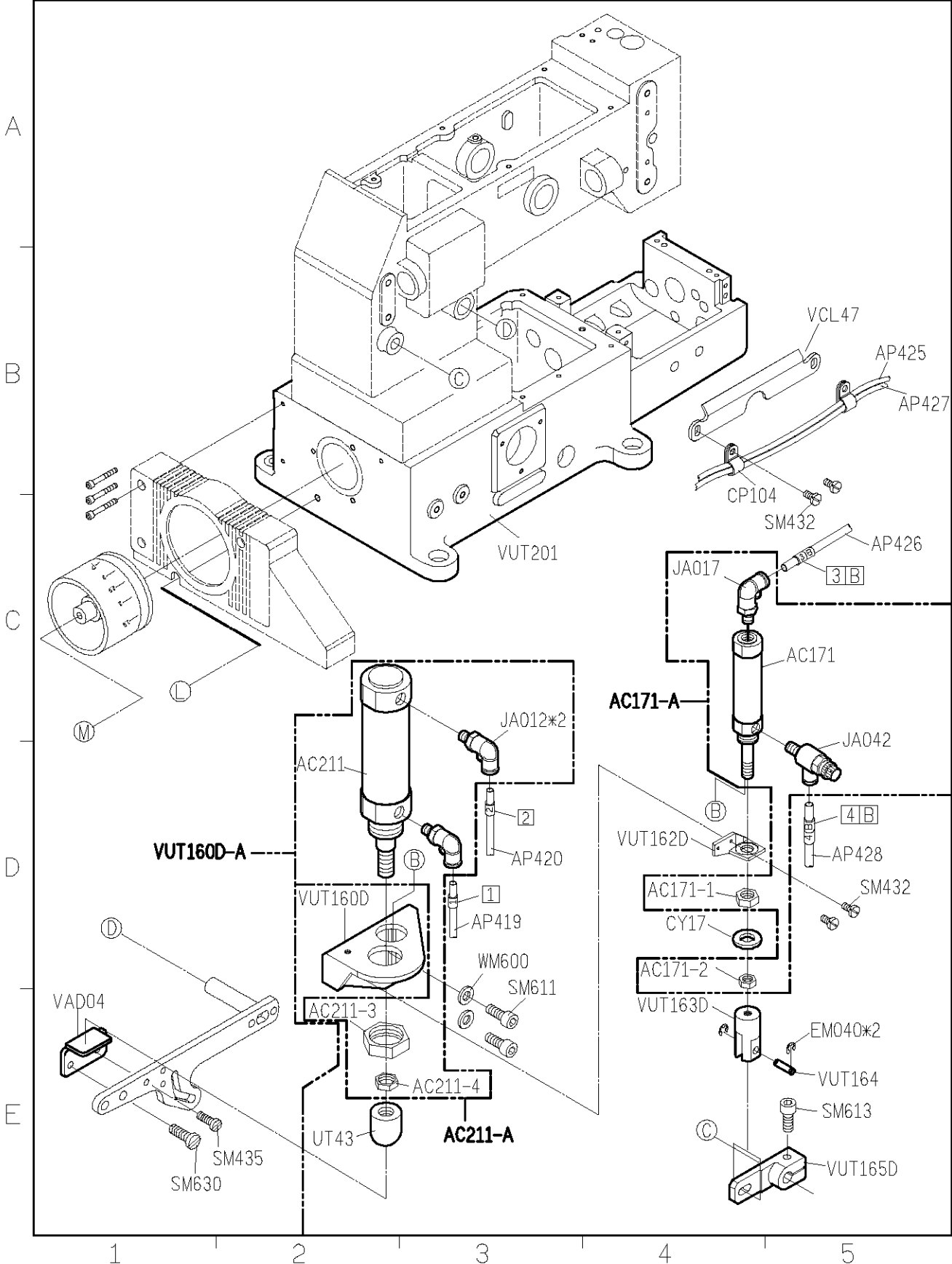
<b>SIRUBA</b> PARTS LIST	Series	Parts Group	Subclass / Remark	Page
	<b>VC008</b>	<b>VUT</b>		4/7
				Date
				2015/08/05

12 NEEDLE

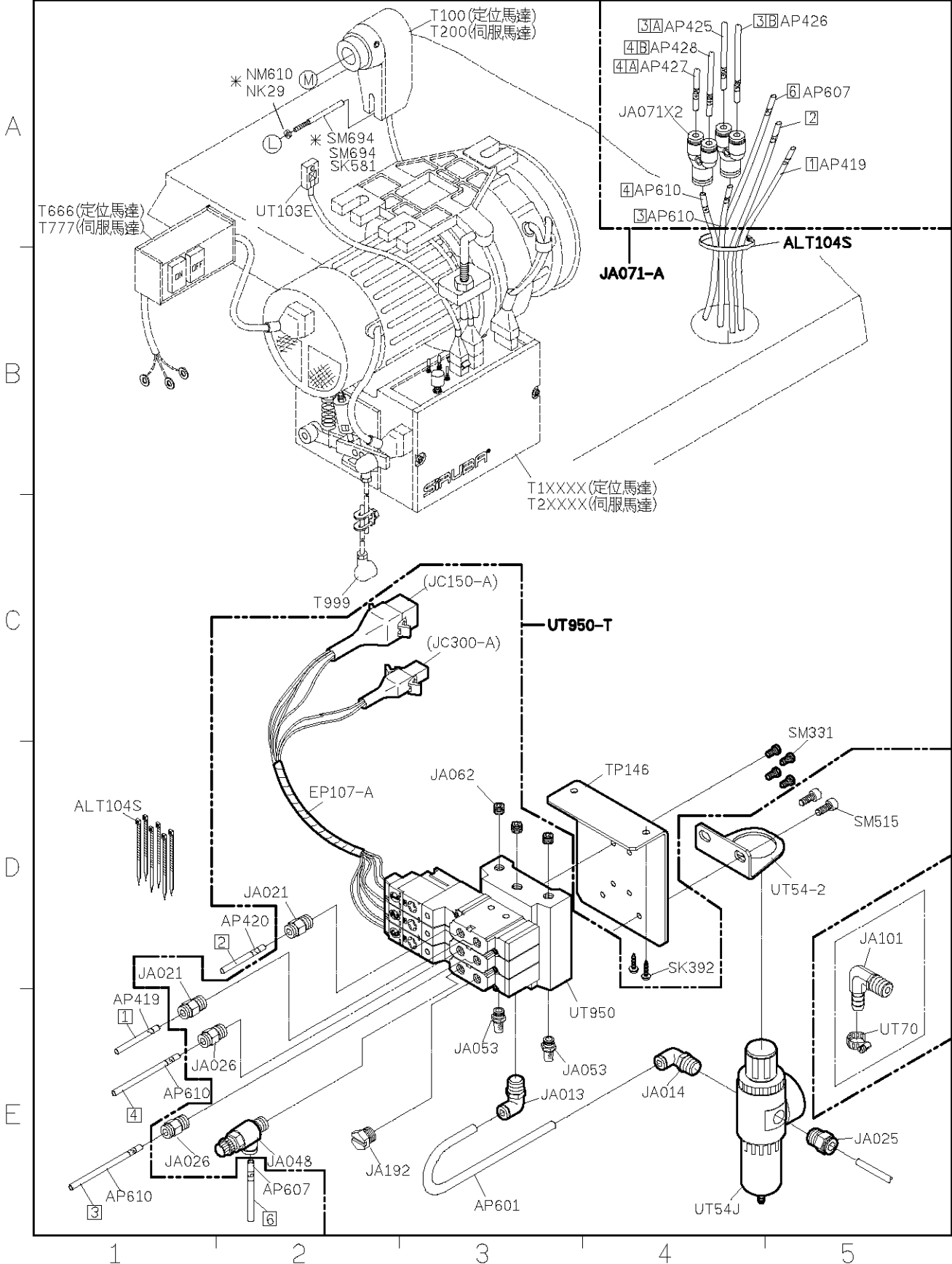


1	2	3	4	5
---	---	---	---	---

SIRUBA PARTS LIST	Series	Parts Group	Subclass / Remark	Page
	VC008	VUT		5/7
				Date
				2012/08/21



<b>SIRUBA</b> <b>PARTS LIST</b>	<b>Series</b>	<b>Parts Group</b>	<b>Subclass / Remark</b>	<b>Page</b>
	<b>VC008</b>	<b>VUT</b>		<b>6/7</b>
				<b>Date</b>
				<b>2012/09/21</b>



SIRUBA PARTS LIST	Series	Parts Group	Subclass / Remark	Page
	VC008	VUT		7/7
				Date
				2012/08/21

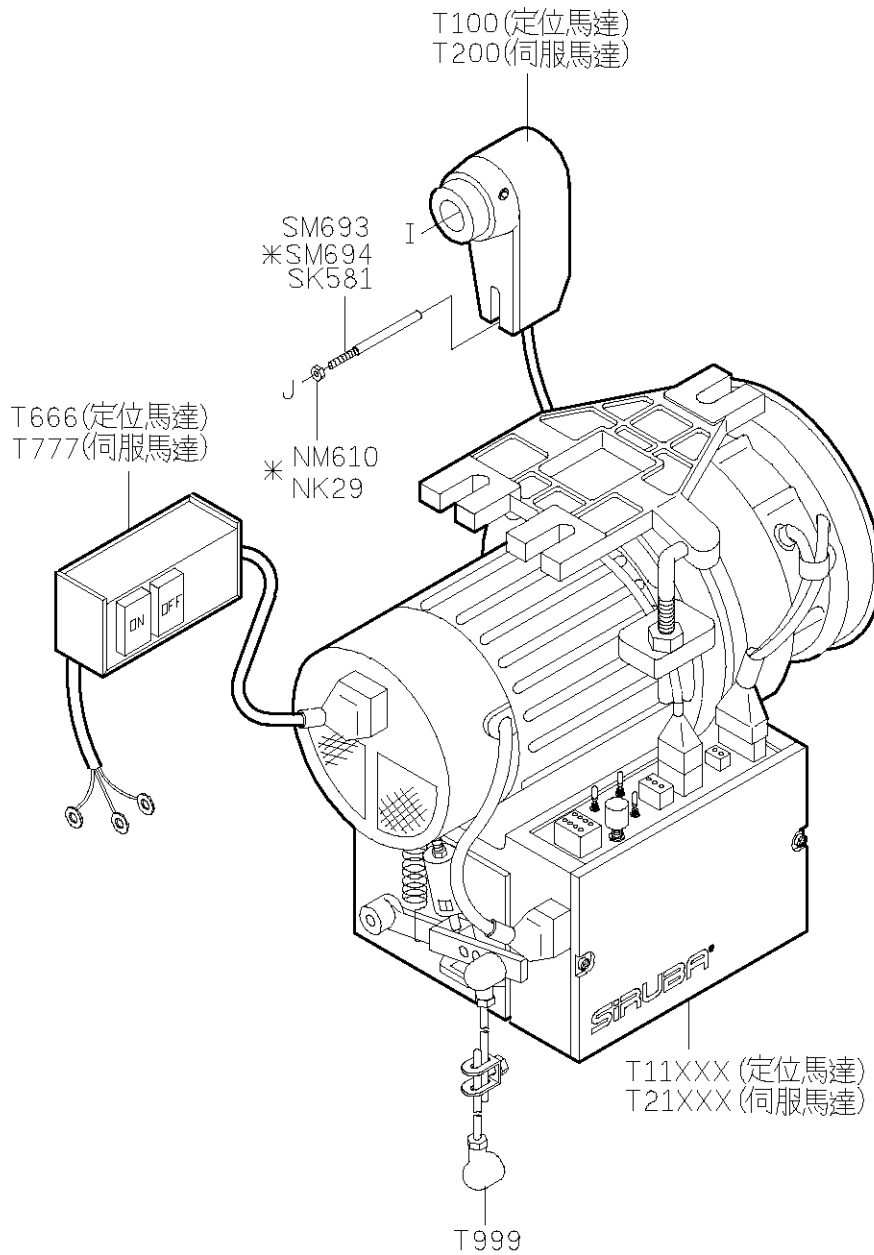
A

B

C

D

E



1

2

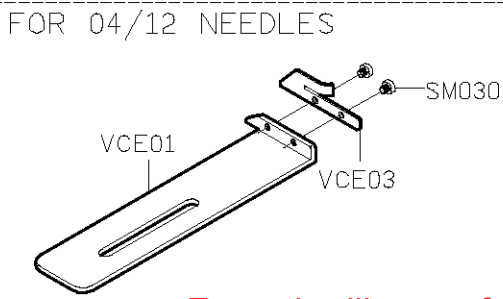
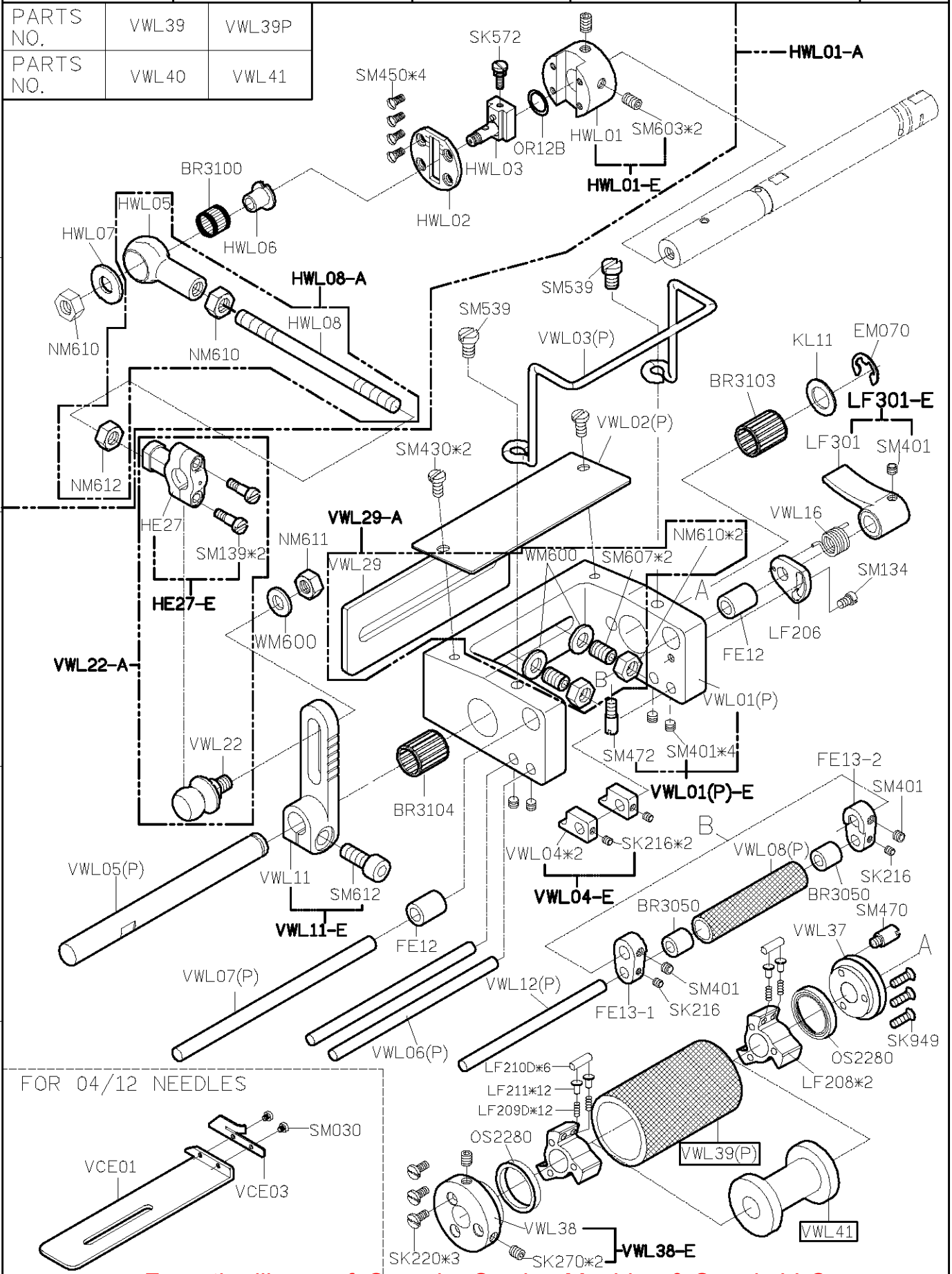
3

4

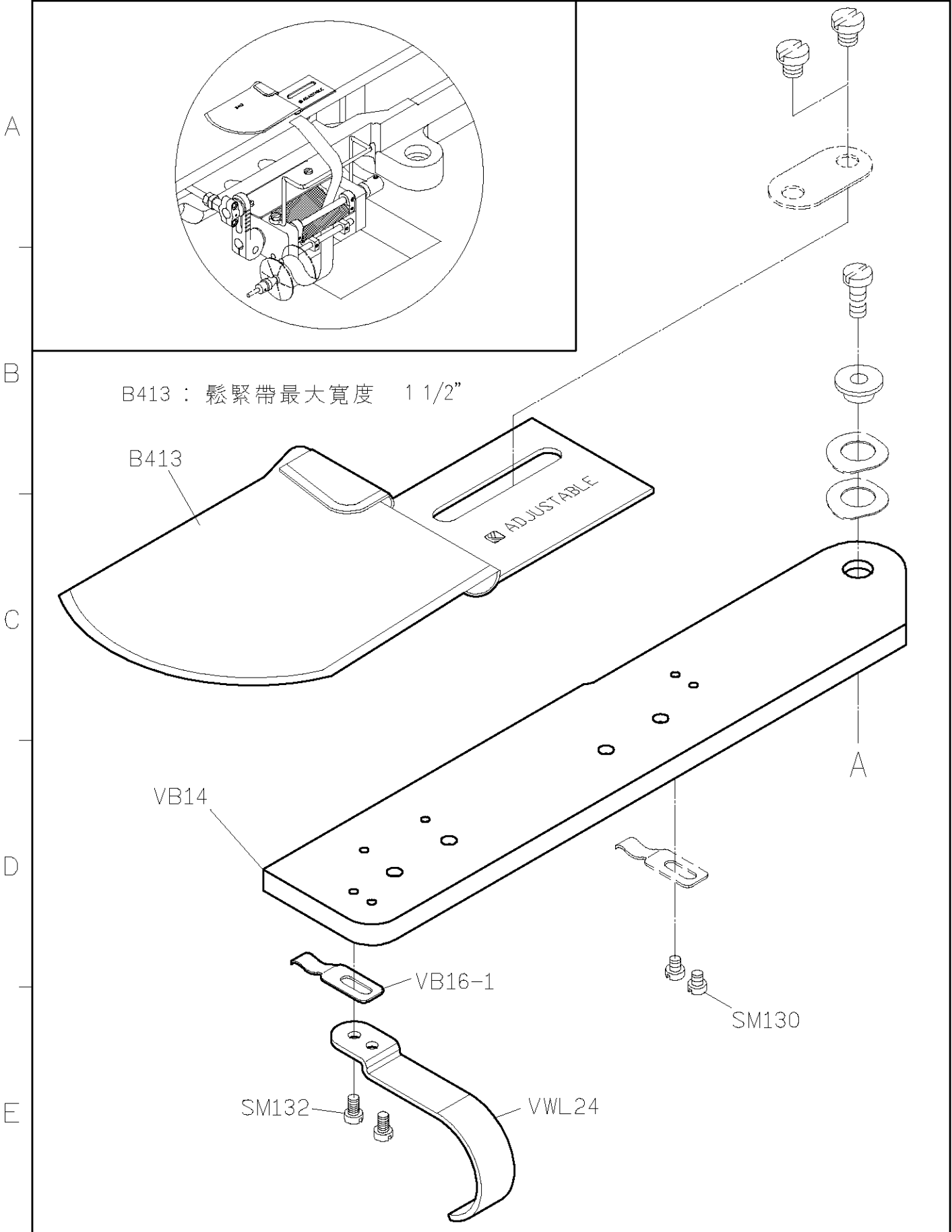
5

<b>SIRUBA</b> <b>PARTS LIST</b>	<b>Series</b>		<b>Parts Group</b>	<b>Subclass Remark</b>	<b>Page</b>
	<b>VC008</b>		<b>VWL/VWL B</b>		<b>1/4</b>
			<b>VWLC</b>		<b>Date</b>
					<b>2013/09/23</b>

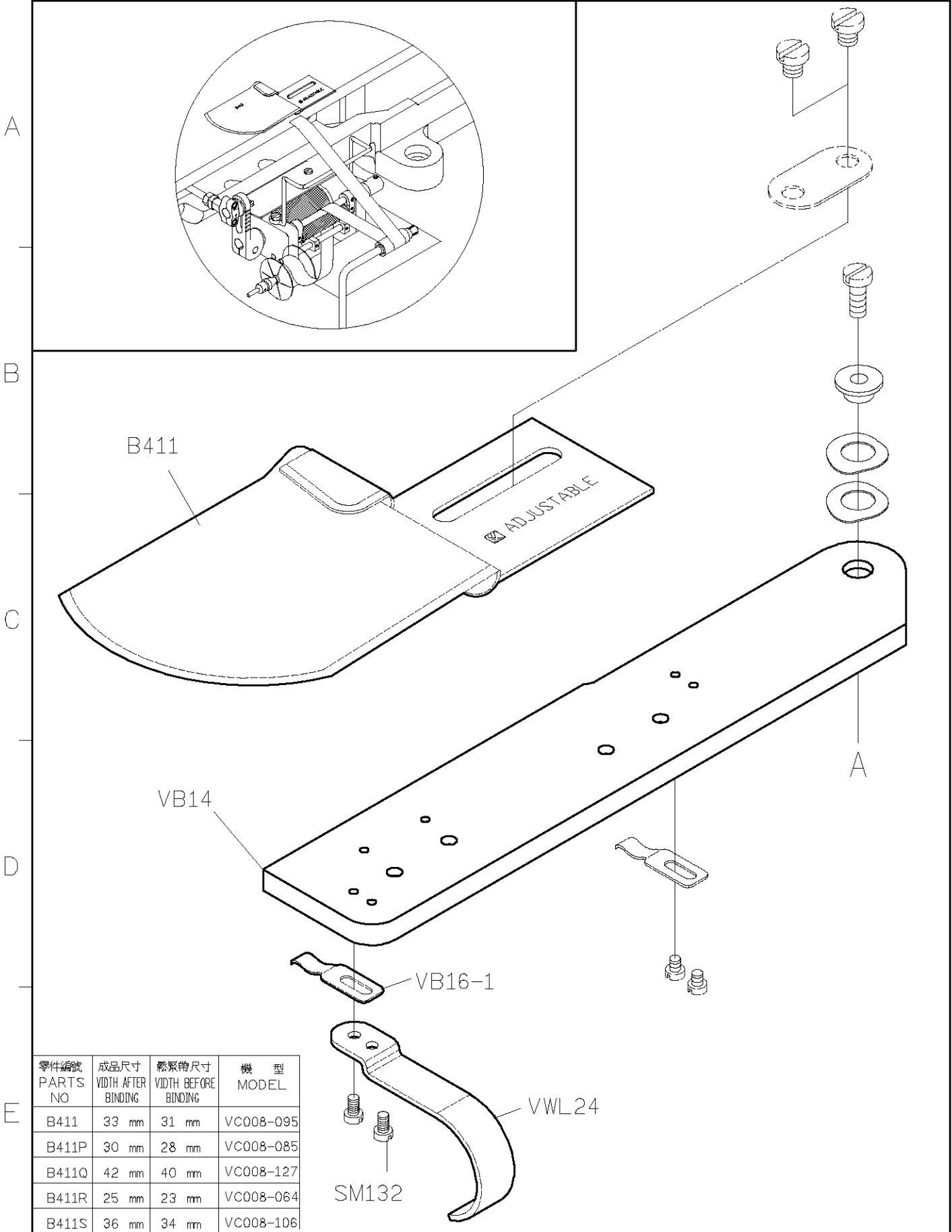
PARTS NO.	VWL39	VWL39P
PARTS NO.	VWL40	VWL41



SIRUBA PARTS LIST	Series	Parts Group	Subclass / Remark	Page
	VC008	VWL		2/4
				Date
				2014/05/23



<b>SIRUBA</b> <b>PARTS LIST</b>	<b>Series</b>	<b>Parts Group</b>	<b>Subclass / Remark</b>	<b>Page</b>
	<b>VC008</b>	<b>VWLB</b>		3/4
				<b>Date</b>
				2014/05/23



零件編號 PARTS NO	成品尺寸 WIDTH AFTER BINDING	鬆緊帶尺寸 WIDTH BEFORE BINDING	機 型 MODEL
B411	33 mm	31 mm	VC008-095
B411P	30 mm	28 mm	VC008-085
B411Q	42 mm	40 mm	VC008-127
B411R	25 mm	23 mm	VC008-064
B411S	36 mm	34 mm	VC008-106



SIRUBA PARTS LIST	Series	Parts Group	Subclass / Remark	Page
	VC008	VWLB		4/4
				Date
				2012/08/23

OPTION:RLP02-A

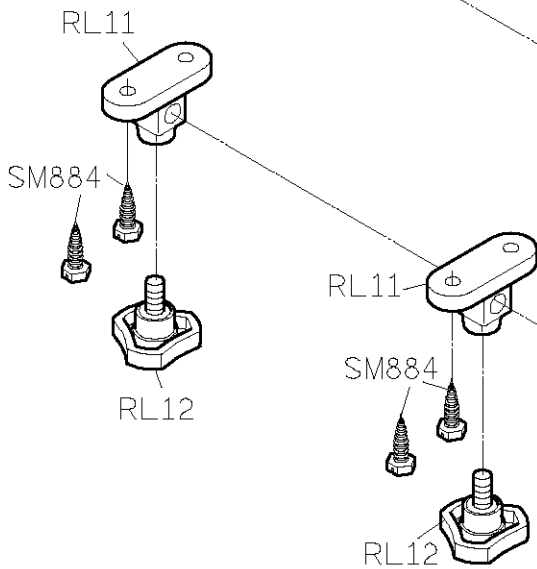
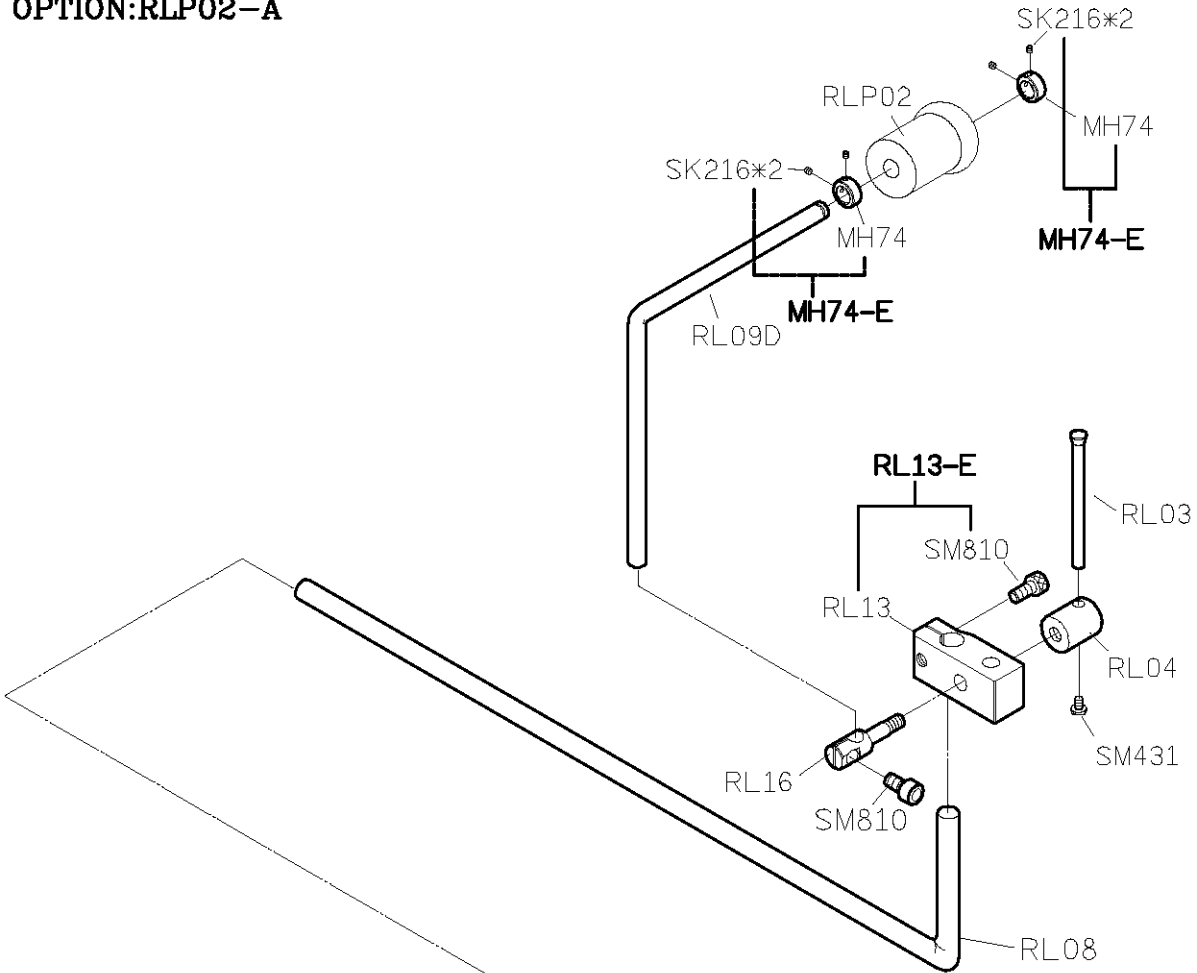
A

B

C

D

E



1

2

3

4

5