

SIRUBA®

銀箭牌工業用縫紉機

INDUSTRIAL SEWING MACHINE

UF916/UF916 WITH TRIMMER

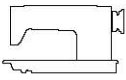
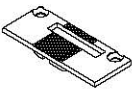
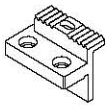
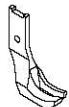








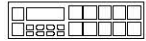
零件圖 PARTS LIST



CE

 高林股份有限公司
KAULIN MFG. CO., LTD.

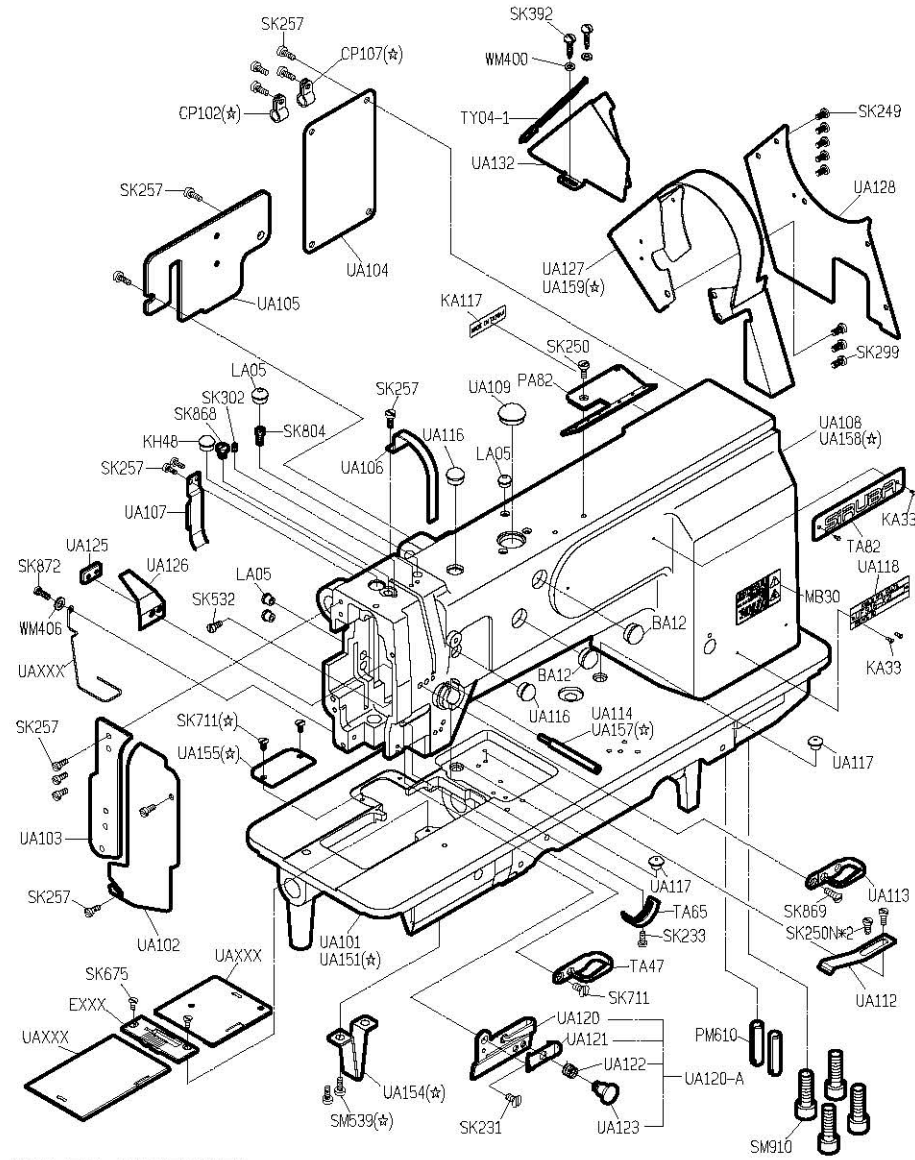
From the library of: Superior Sewing Machine & Supply LLC

												
MODEL	NEEDLE PLATE	FEED DOG	OUT SIDE PRESSER FOOT	IN SIDE PRESSER FOOT	SLIDE PLATE(L)	SLIDE PLATE(R)	HOOK ASM	BOBBIN CASE ASM	BOBBIN	NEEDLE	SAFETY NEEDLE	OPERATING PANEL
機型	針板	送具	外押具	內押具	左面板	右面板	梭頭	梭殼	梭子	針號	針防護桿	操作盒
UF916-X2	E682	D682	P682	P683	UA110	UA111	G171	—	G310	DP17#23	UA134	—
UF916-X2-A	E683	D683	P682	P683	UA110	UA153	G173	G408	G310	DP17#23	UA134	—
UF916-X2L-A	E683	D683	P682	P683	UA110	UA153	G172	—	G310	DP17#23	UA134	—
UF916-X2-B	E683	D683	P682	P683	UA110	UA153	G173	G408	G310	DP17#23	UA134	—
UF916-X2-BP												
UF916-X2L-B	E683	D683	P682	P683	UA110	UA153	G172	—	G310	DP17#23	UA134	—
UF916-X2L-BP												
UF916-X2-C	E683	D683	P682	P683	UA110	UA153	G173	G408	G310	DP17#23	UA134	—
UF916-X2L-C	E683	D683	P682	P683	UA110	UA153	G172	—	G310	DP17#23	UA134	—
UF916-X2-D	E683	D683	P682	P683	UA110	UA153	G173	G408	G310	DP17#23	UA134	—
UF916-X2-DP												
UF916-X2L-D	E683	D683	P682	P683	UA110	UA153	G172	—	G310	DP17#23	UA134	—
UF916-X2L-DP												
UF916-X2-E	E683	D683	P682	P683	UA110	UA153	G173	G408	G310	DP17#23	UA134	C300M-A1
UF916-X2L-E	E683	D683	P682	P683	UA110	UA153	G172	—	G310	DP17#23	UA134	C300M-A1
UF916-X2-F	E683	D683	P682	P683	UA110	UA153	G173	G408	G310	DP17#23	UA134	C300M-A1
UF916-X2-FP												
UF916-X2L-F	E683	D683	P682	P683	UA110	UA153	G172	—	G310	DP17#23	UA134	C300M-A1
UF916-X2L-FP												

PARTS LIST FOR UA GROUP

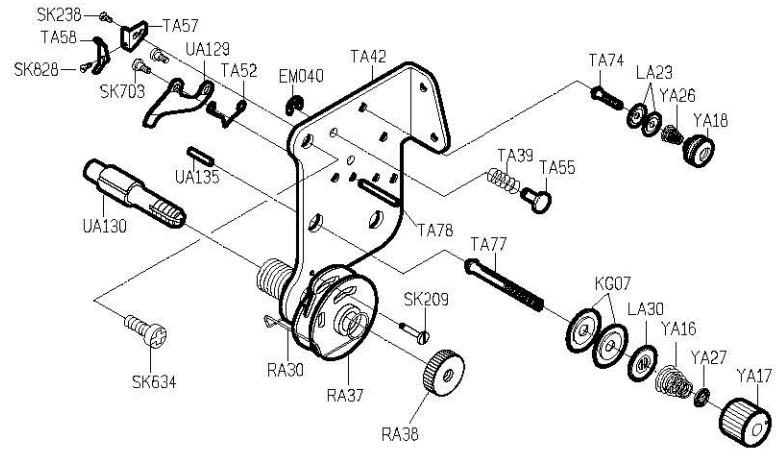
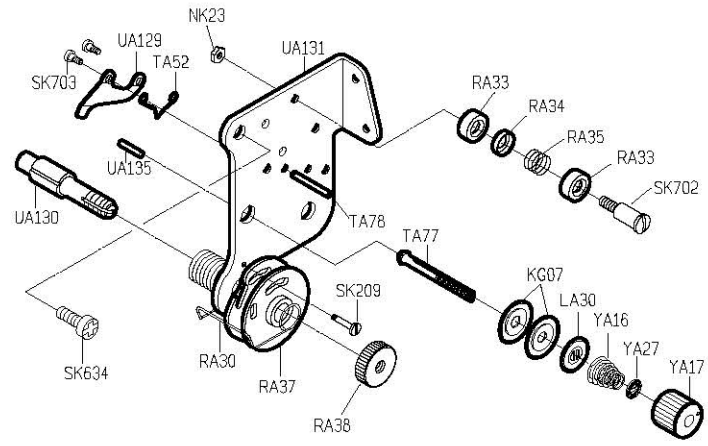
PARTS LIST FOR UA GROUP

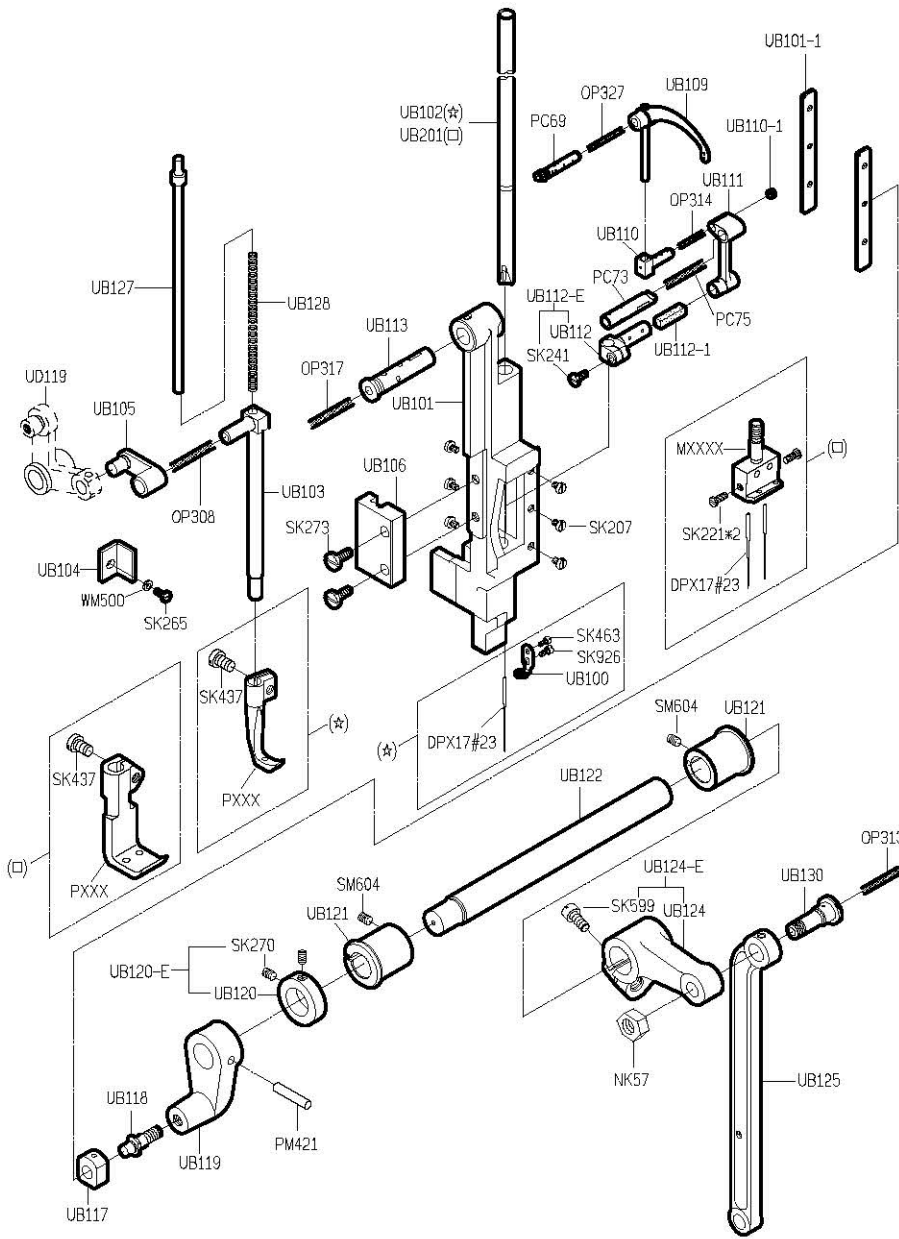
UA130-A1(UF916)



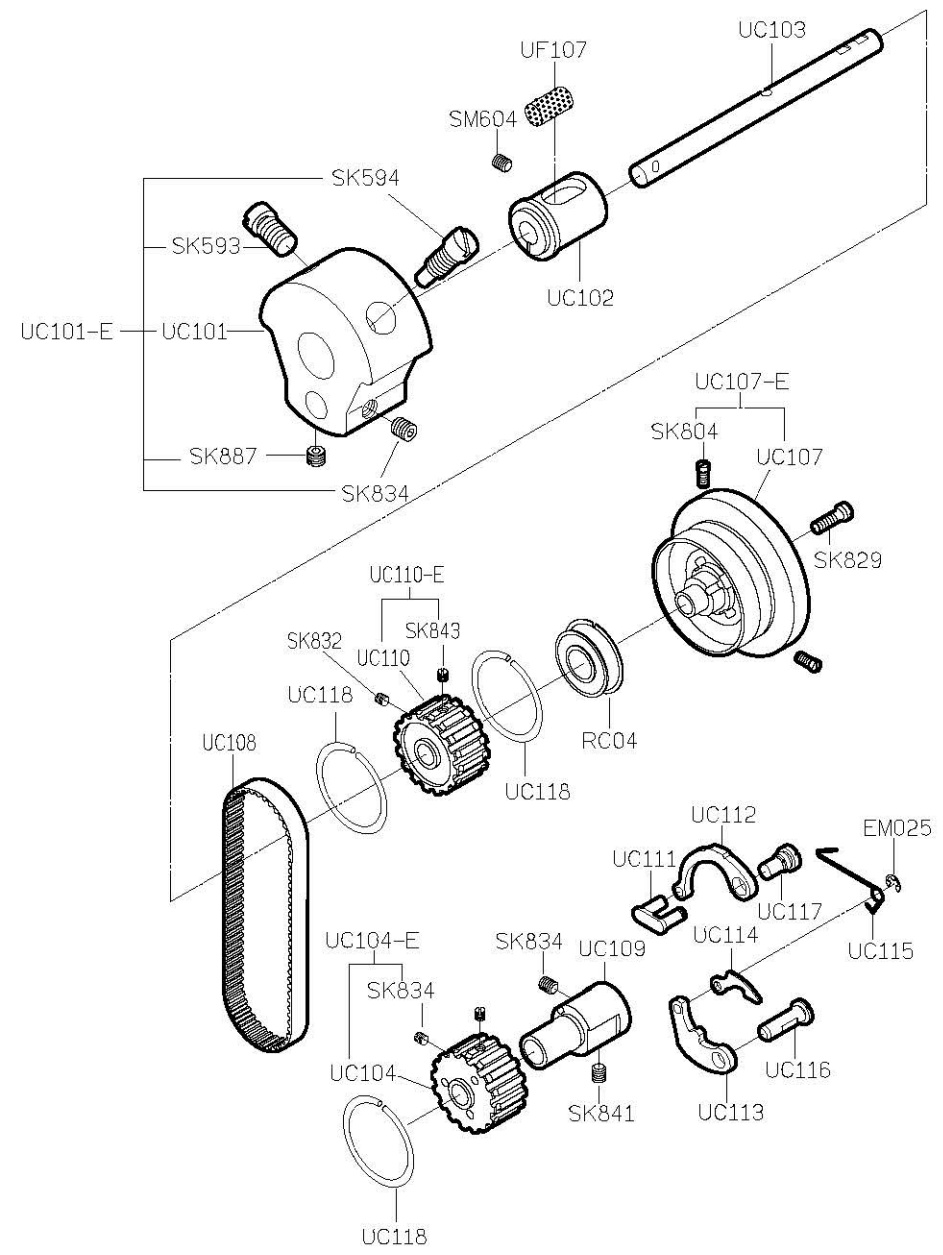
★USE FOR UF916TRIMMER

UA130-A2(UF916 TRIMMER)



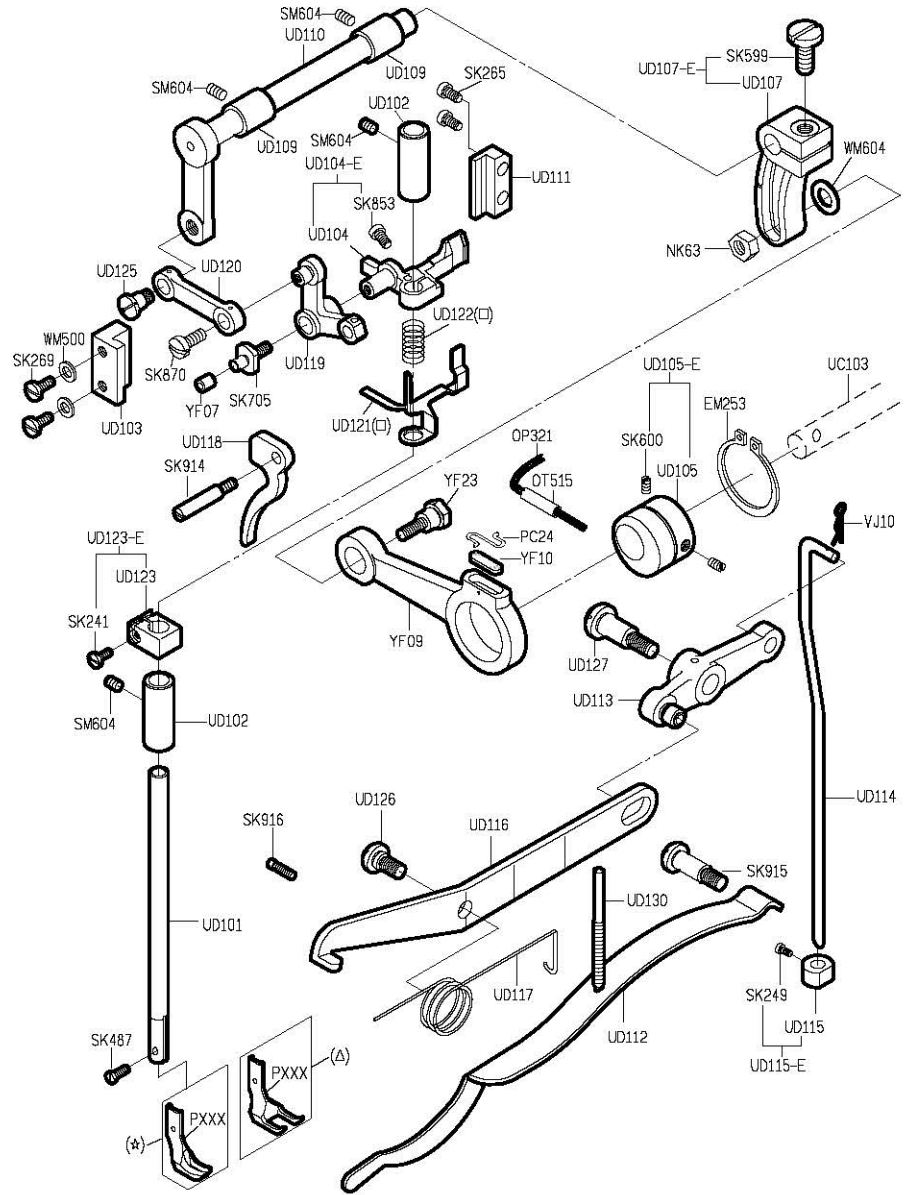
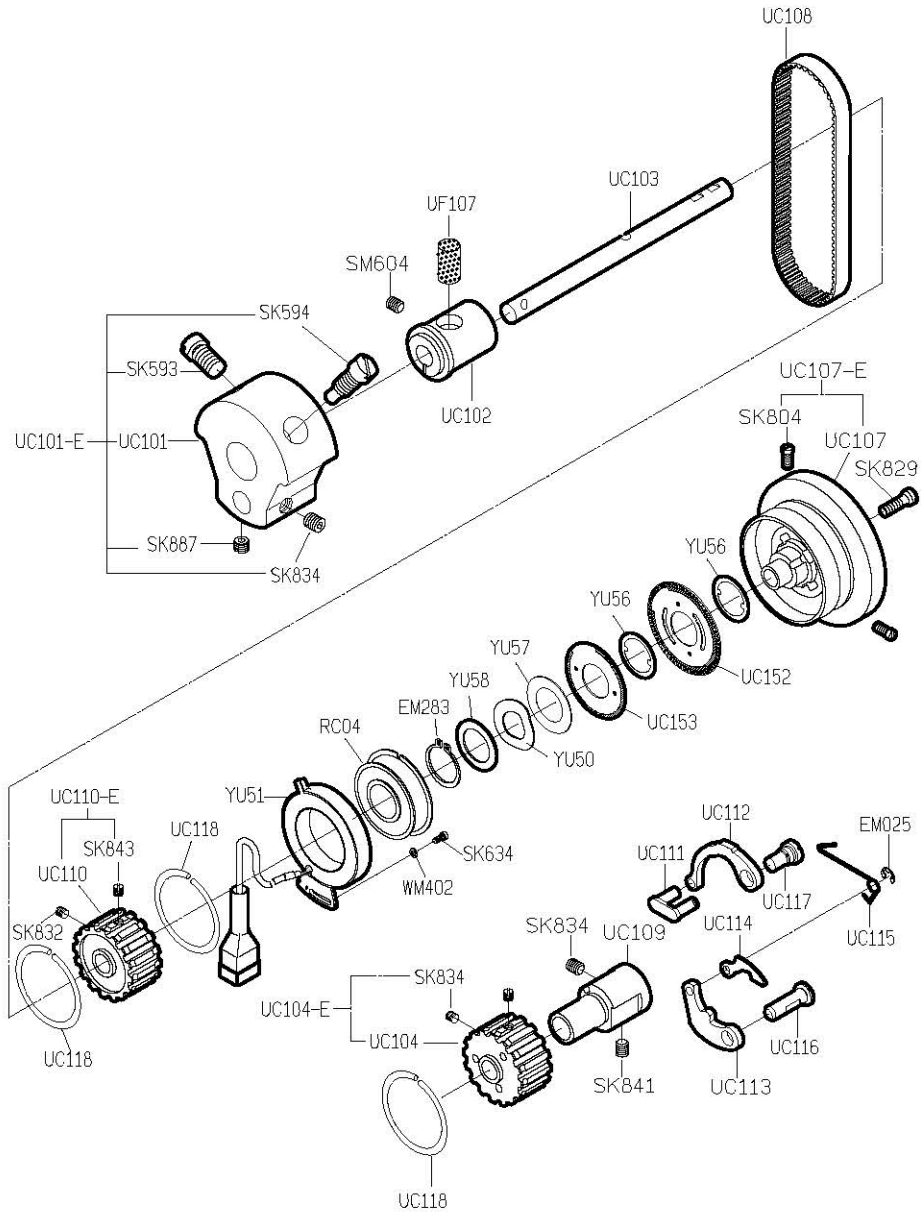


★USE FOR UF916/UF916 TRIMMER
 □USE FOR UF926/UF926 TRIMMER

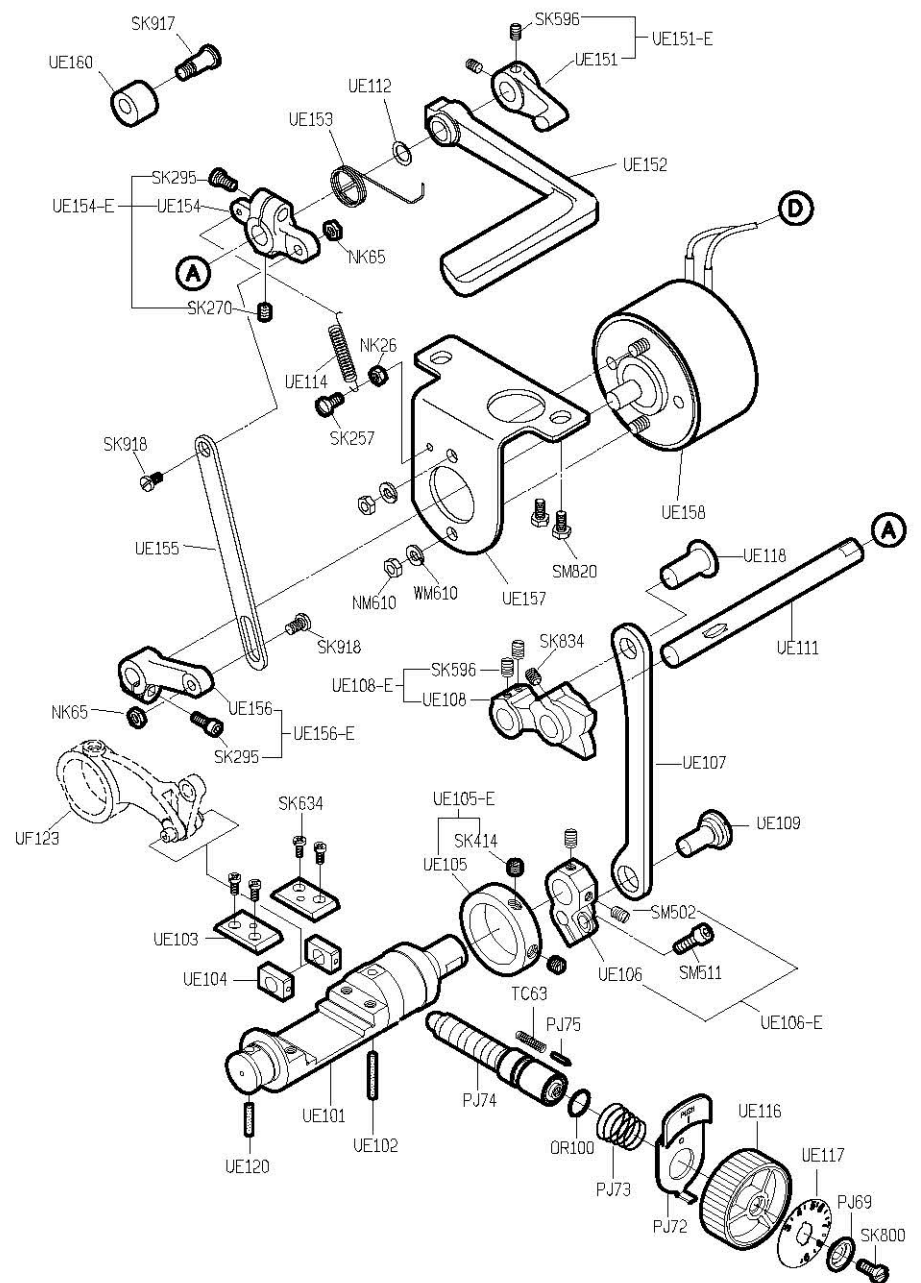
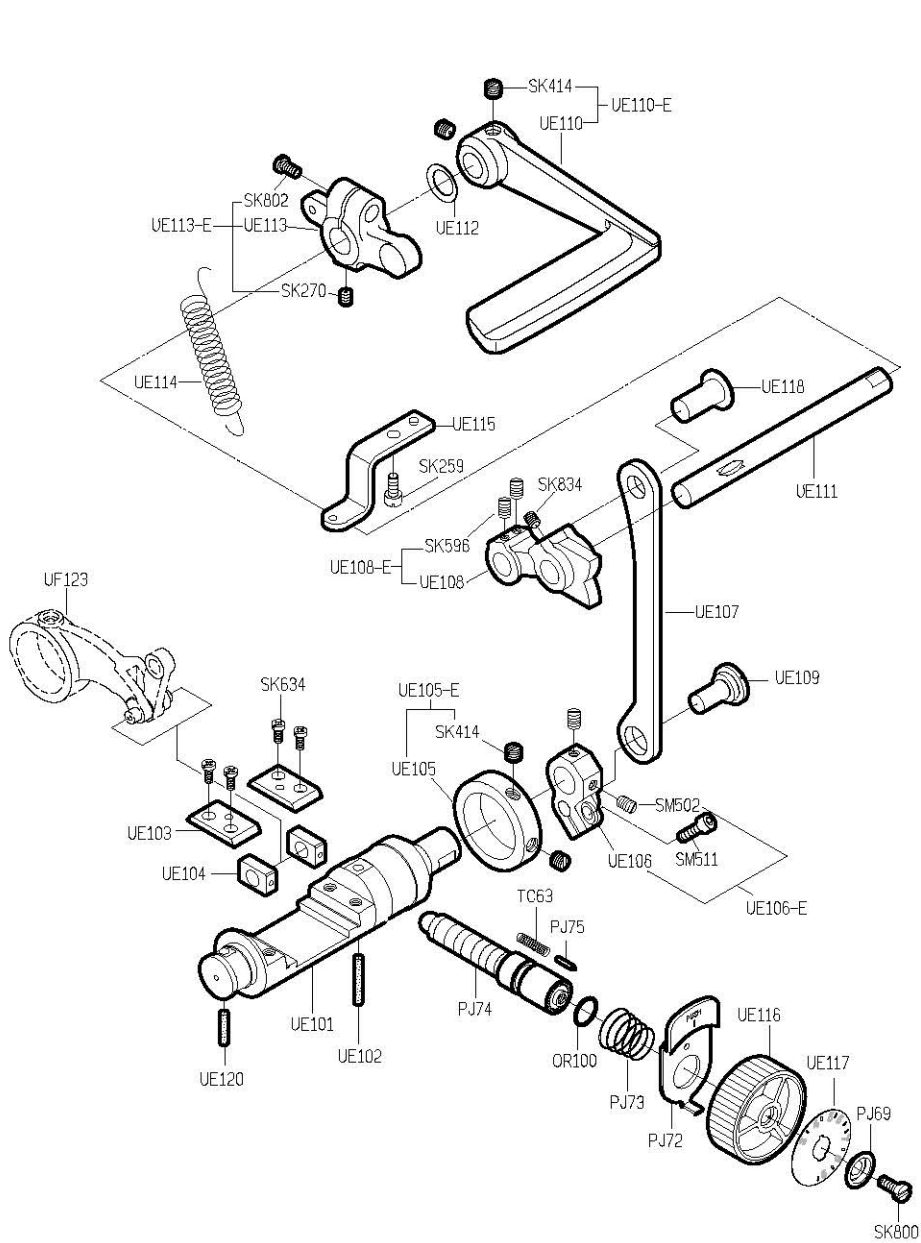


PARTS LIST FOR UC (UF916 TRIMMER) GROUP

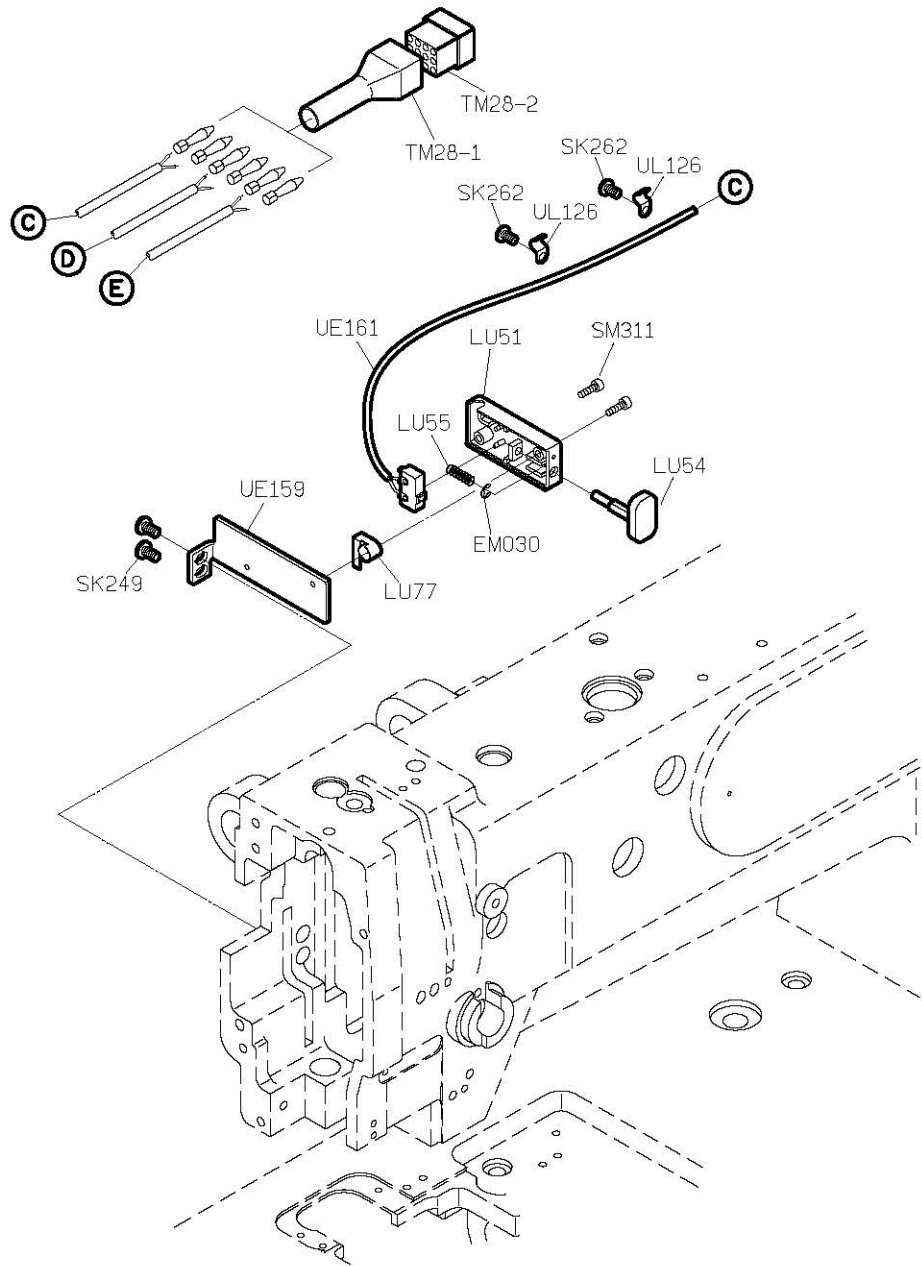
PARTS LIST FOR UD GROUP



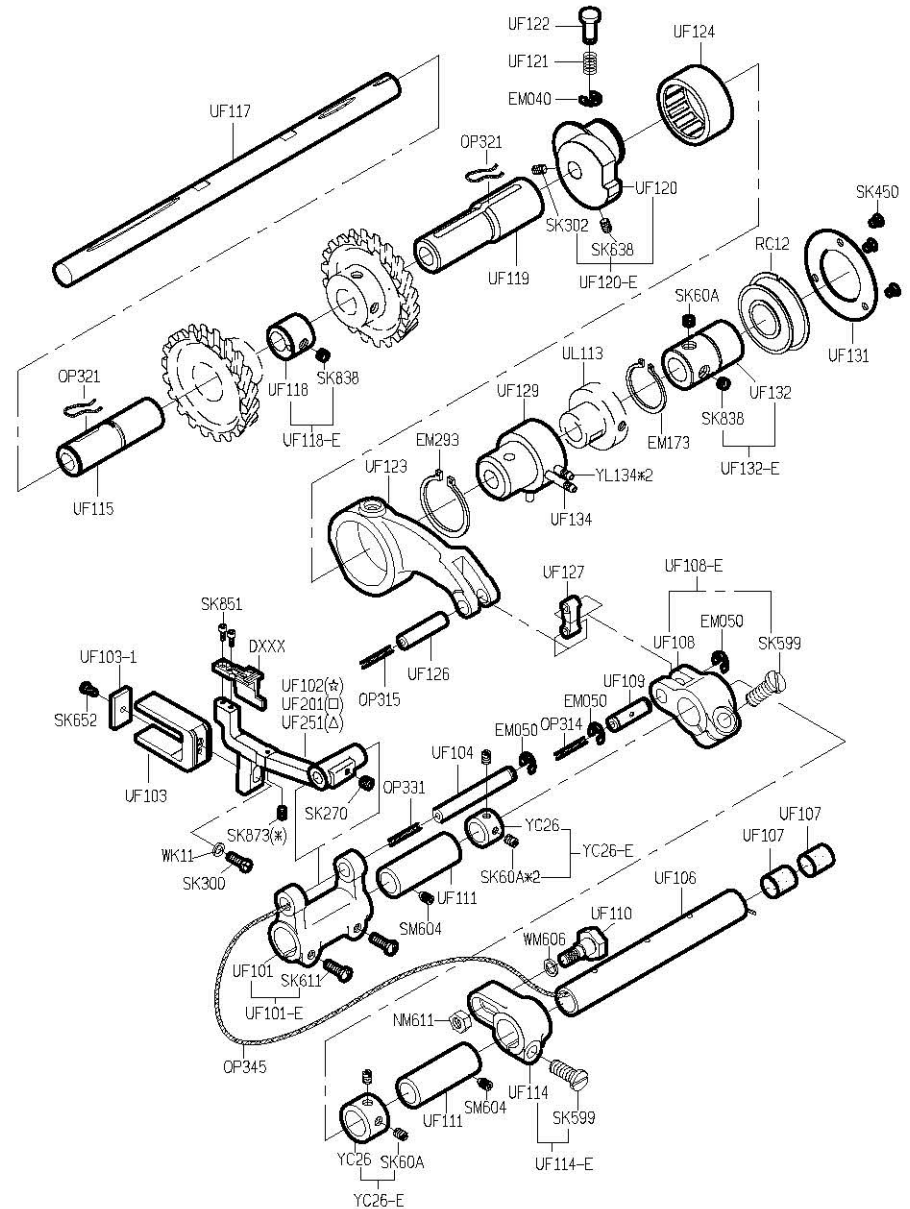
☆USE FOR UF916/UF916 TRIMMER □USE FOR UF916/UF926
 △USE FOR UF926/UF926 TRIMMER



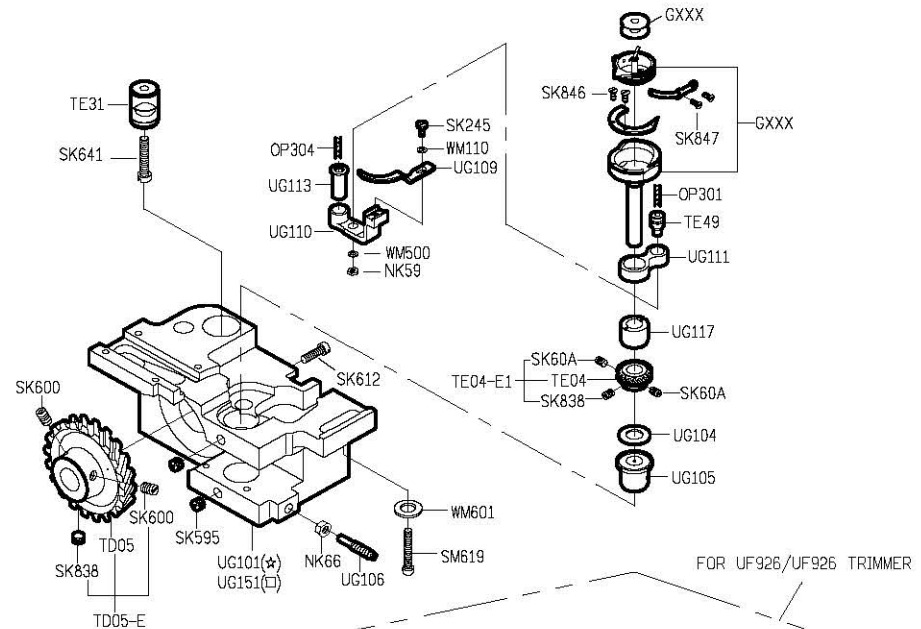
PARTS LIST FOR UE (UF916 TRIMMER) GROUP



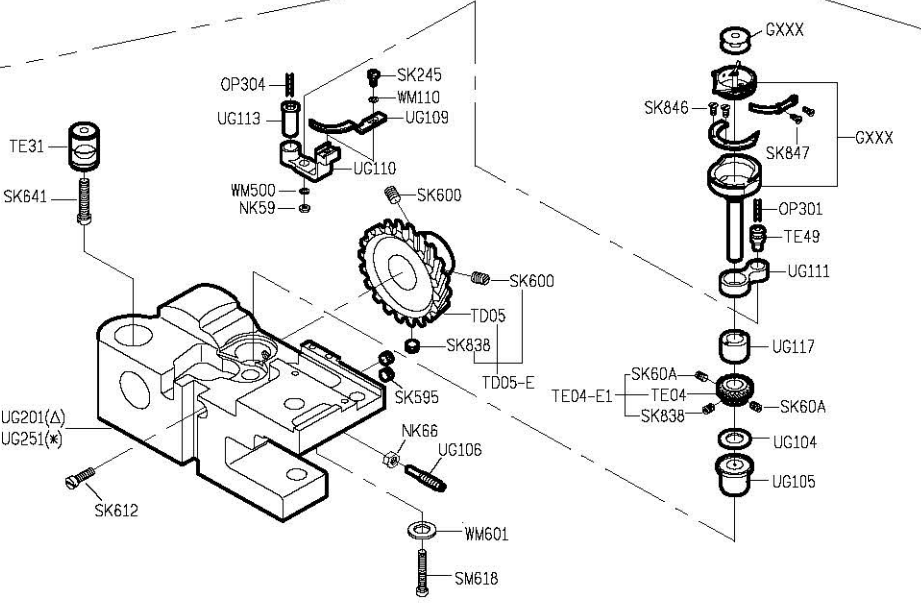
PARTS LIST FOR UF GROUP



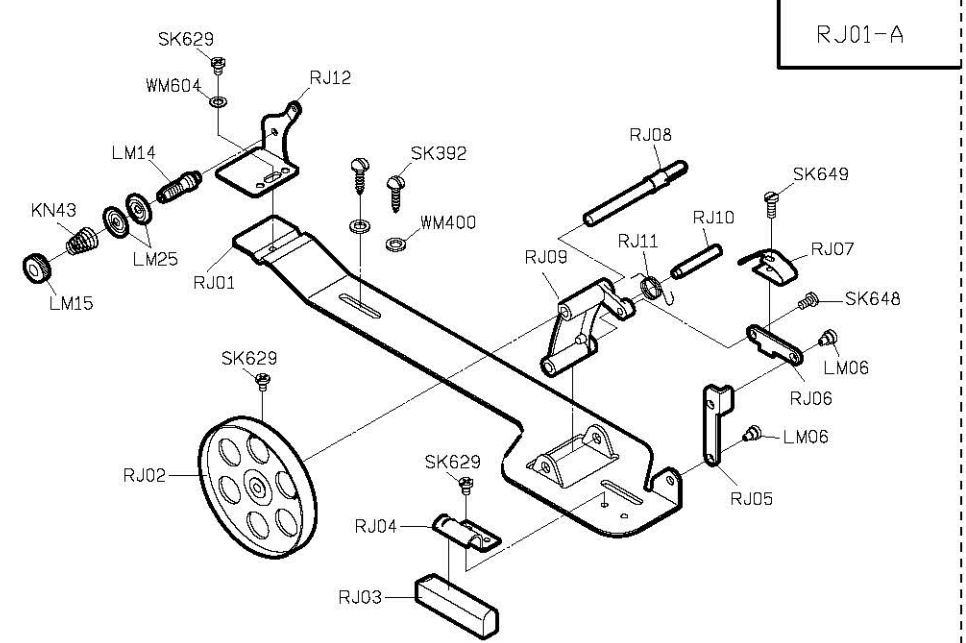
★USE FOR UF916/UF916TRIMMER *USE FOR UF926/UF926TRIMMER
 □USE FOR UF926 △USE FOR UF926 TRIMMER



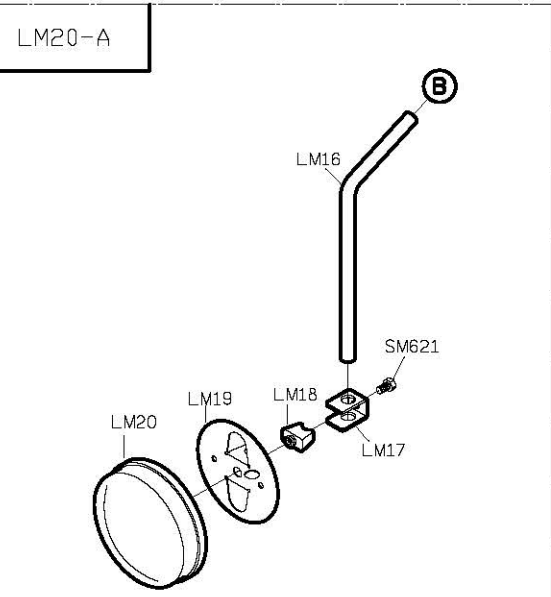
FOR UF926/UF926 TRIMMER



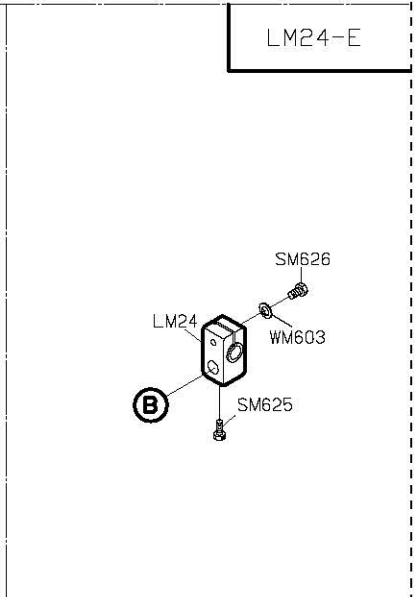
*USE FOR UF916 UF926 □USE FOR UF916TRIMMER UF926 TRIMMER
 ΔUSE FOR UF926 *USE FOR UF926 TRIMMER



RJ01-A

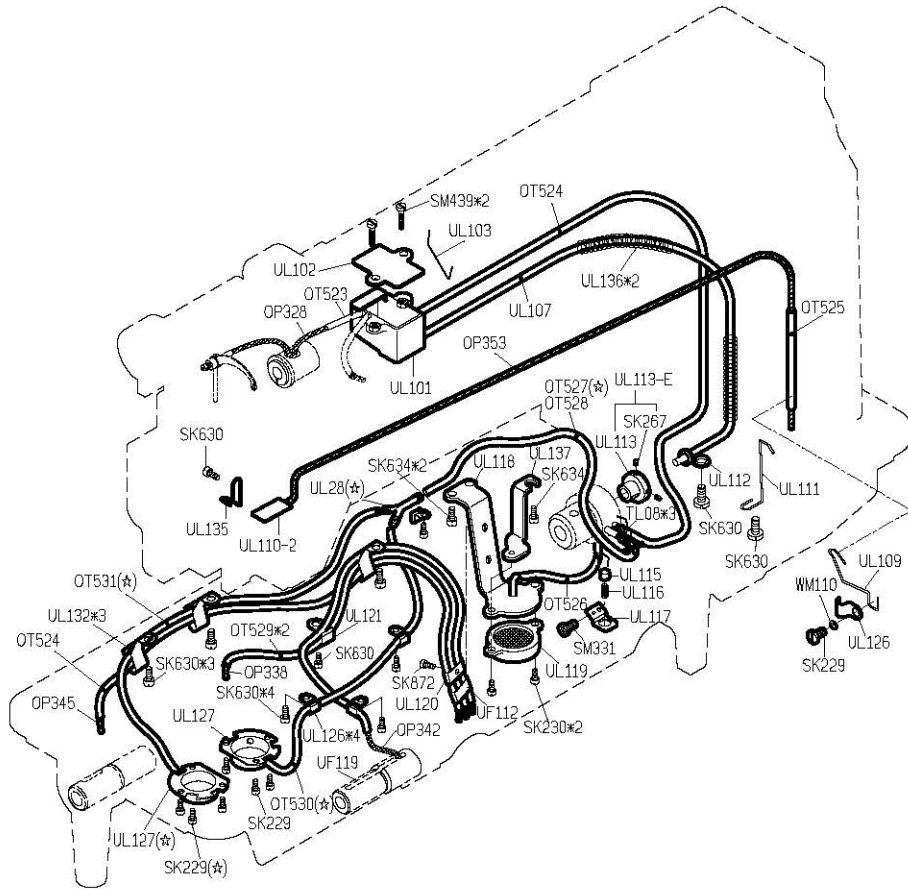


LM20-A



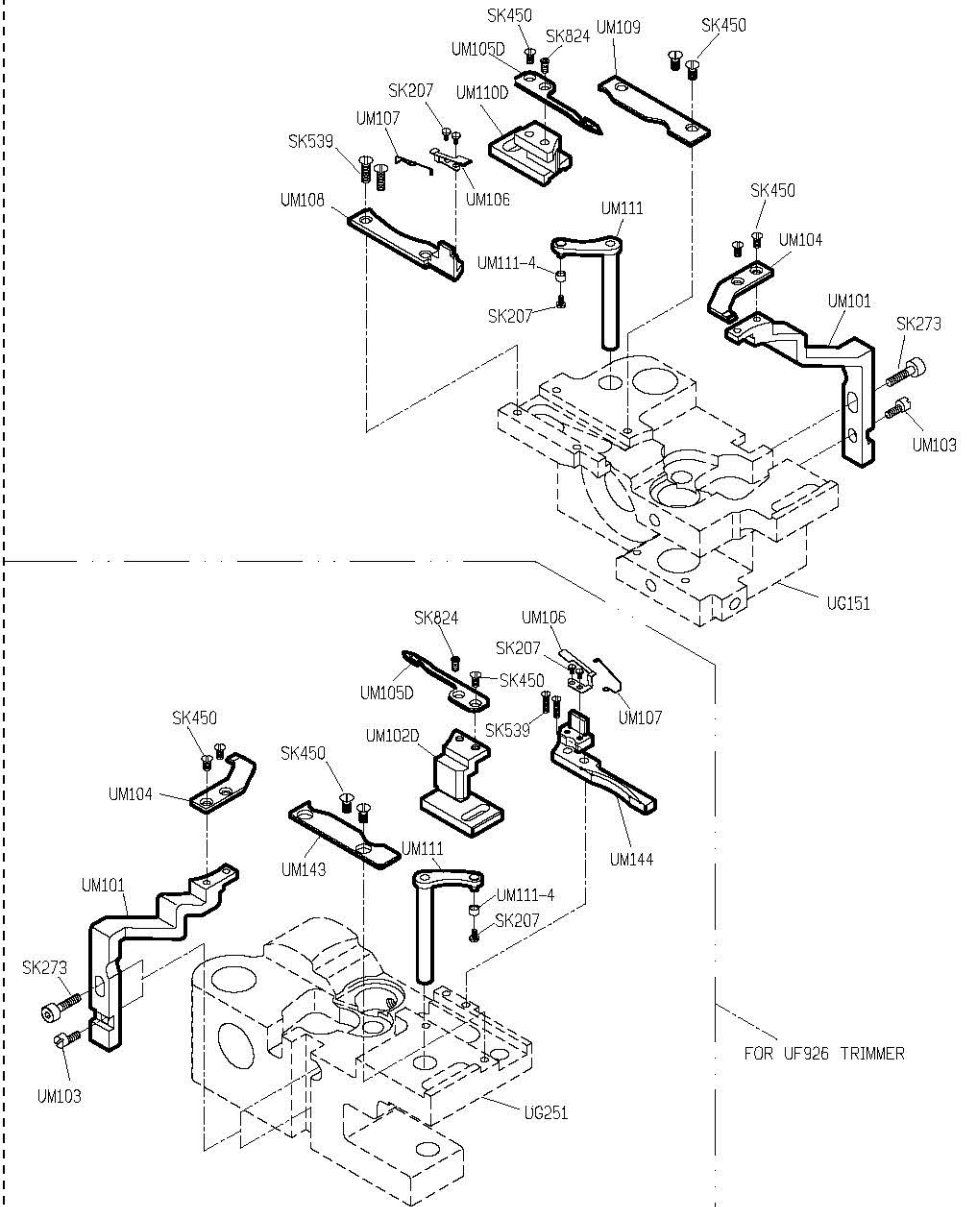
LM24-E

PARTS LIST FOR UL GROUP

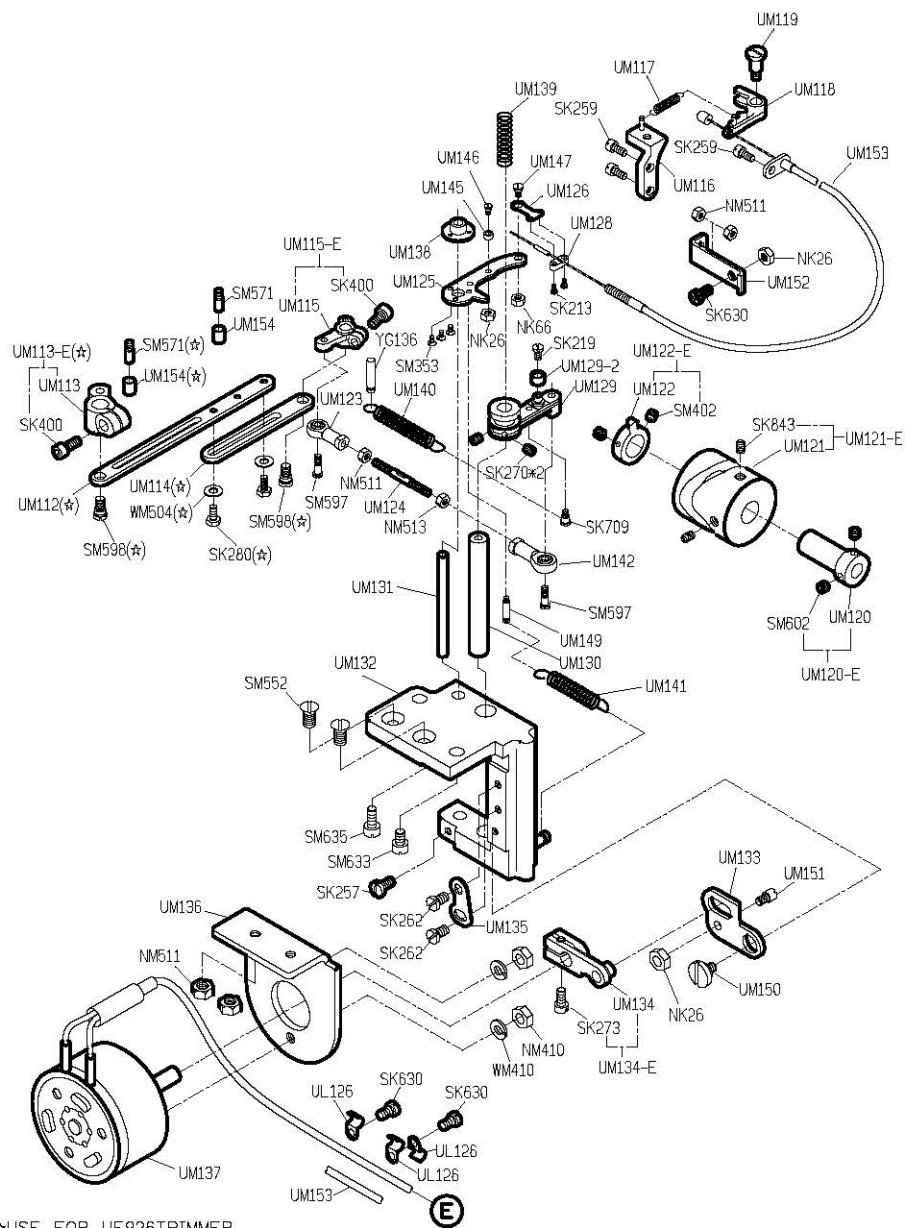


★USE FOR UF926/UF926 TRIMMER

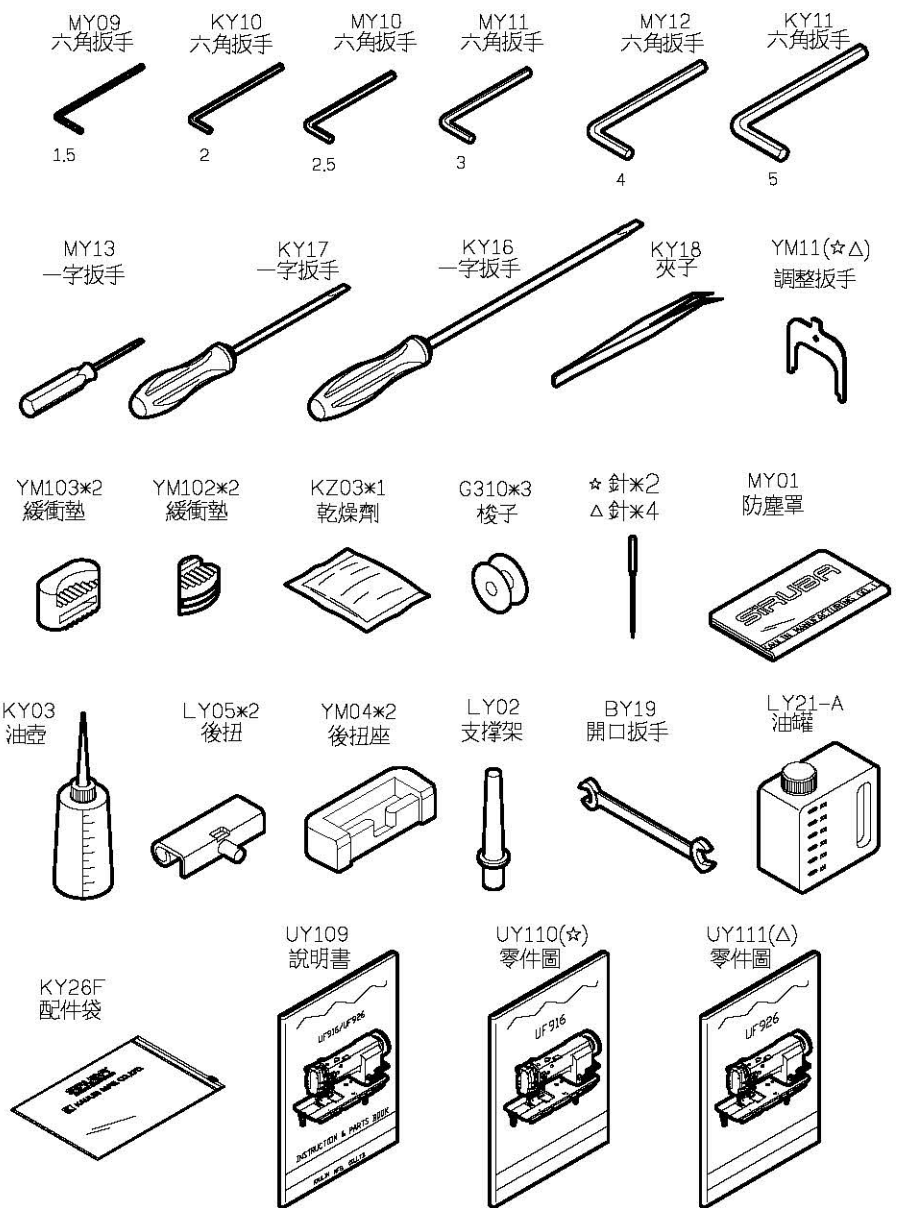
PARTS LIST FOR UM (UF916 TRIMMER) GROUP



FOR UF926 TRIMMER

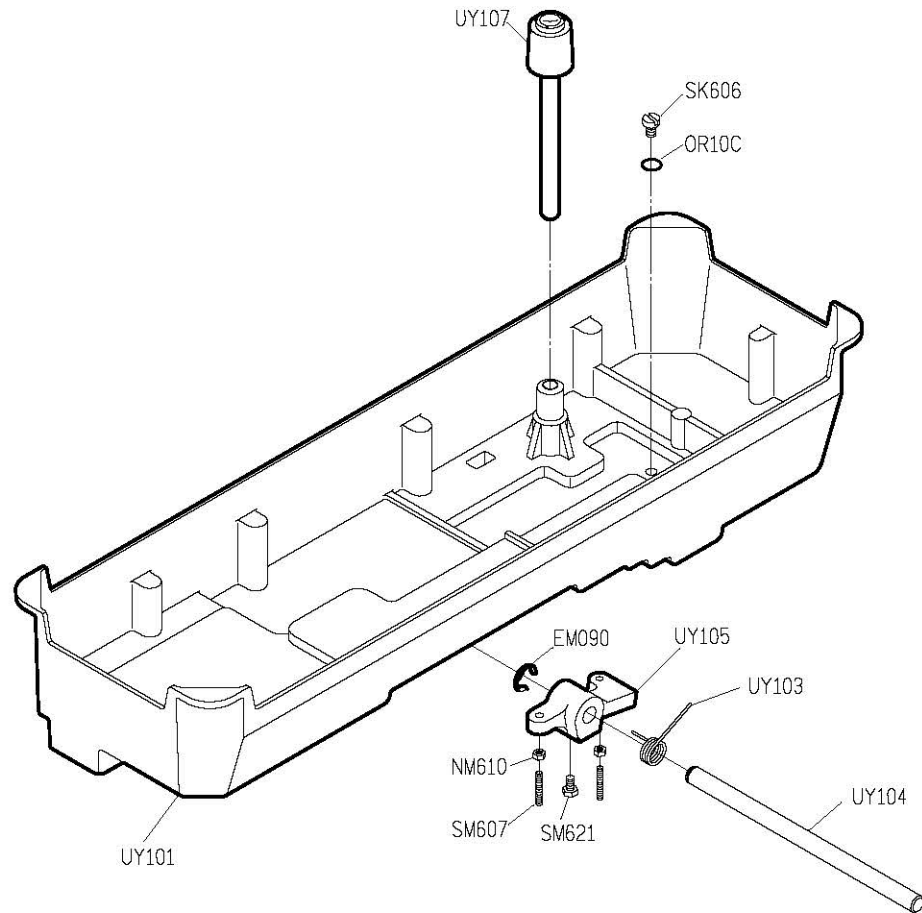


★USE FOR UF926TRIMMER

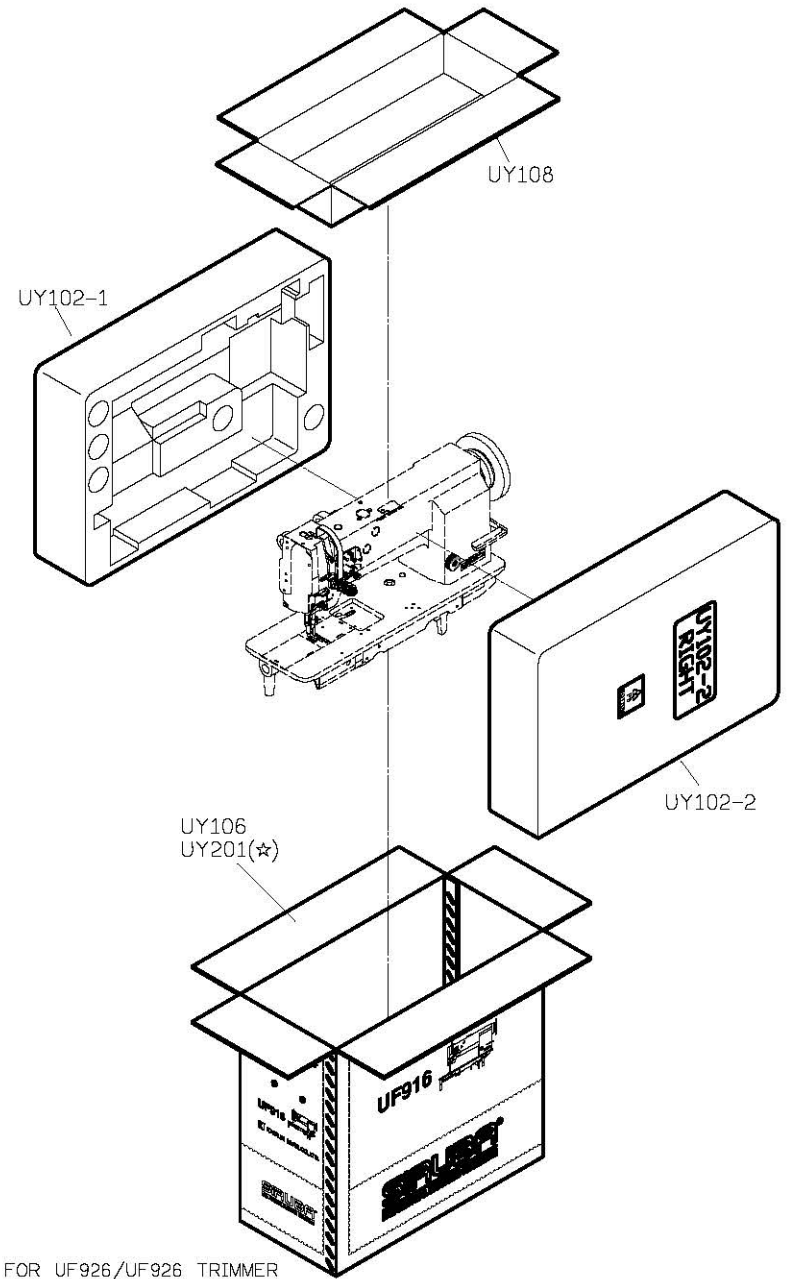


★USE FOR UF916/UF916TRIMMER
△USE FOR UF926/UF926 TRIMMER

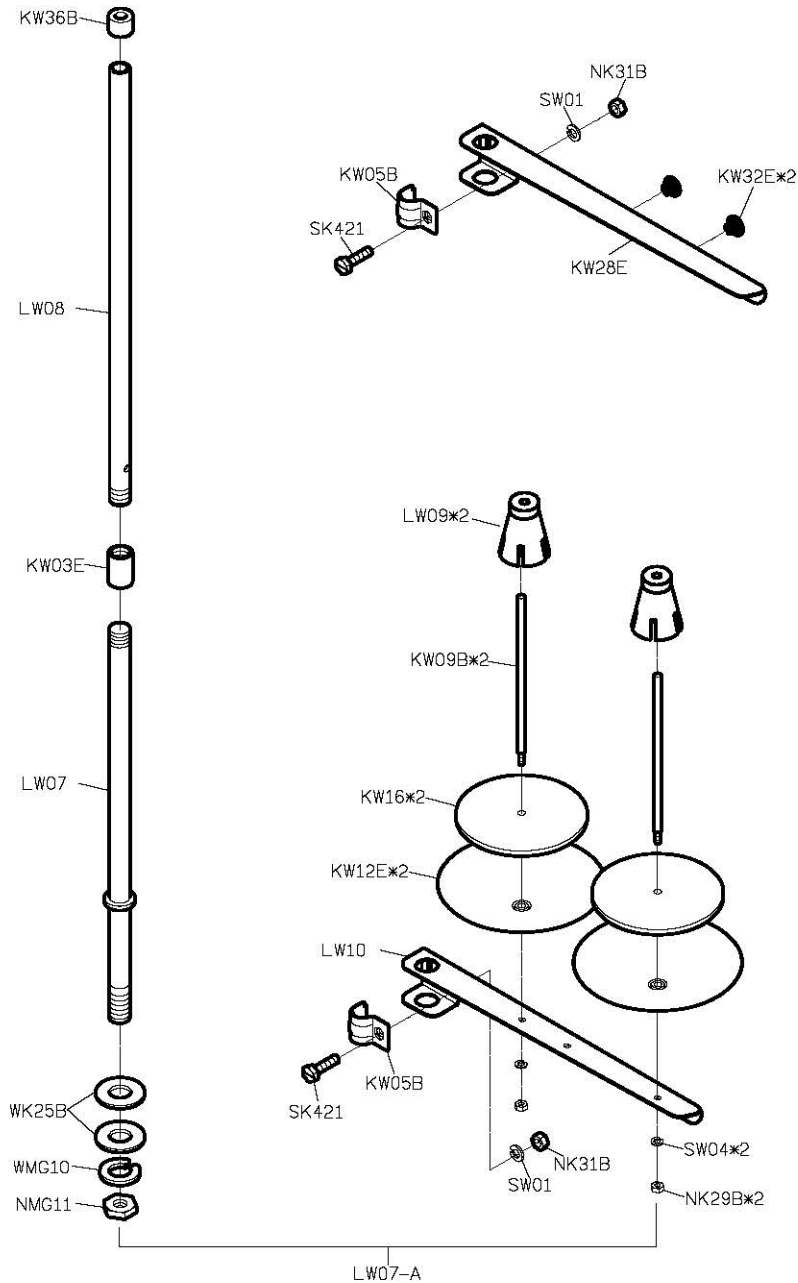
PARTS LIST FOR UY GROUP



PARTS LIST FOR UY GROUP



★USE FOR UF926/UF926 TRIMMER



PARTS LIST FOR THREAD STAND From the library of Superior Sewing Machine & Supply LLC



UF916/UF916^{WITH} TRIMMER

高林股份有限公司 KAULIN MFG. CO., LTD.