

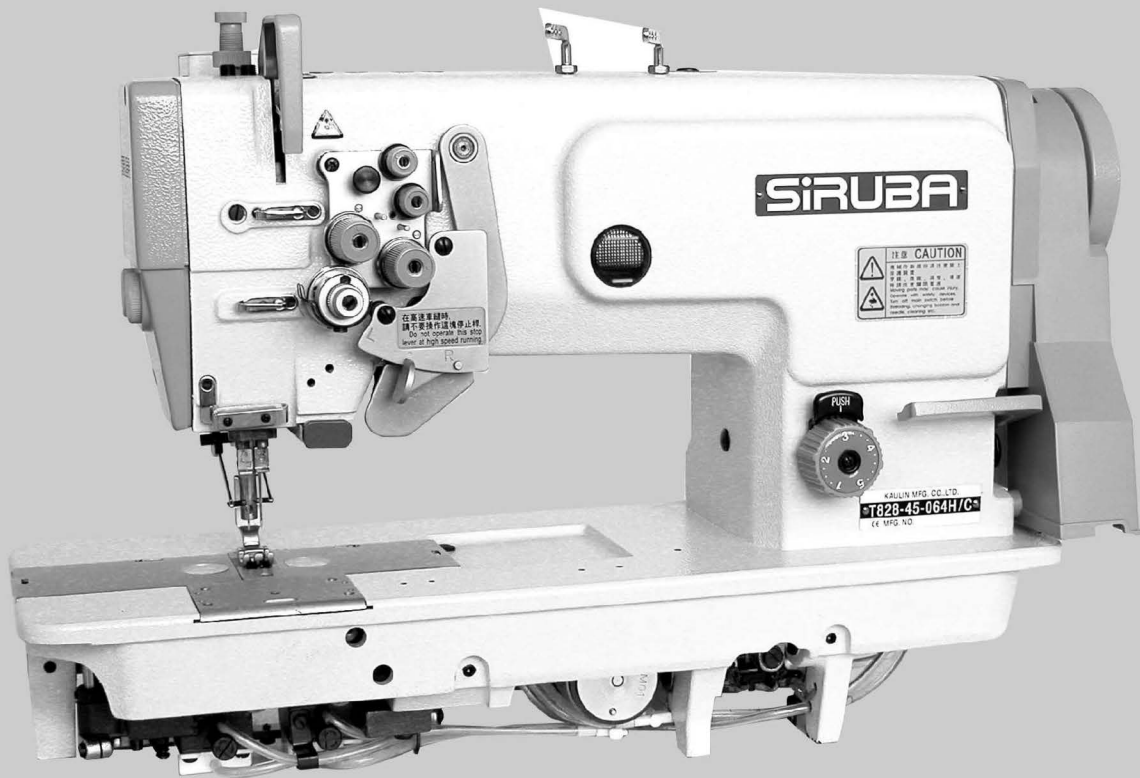
# SIRUBA®

銀箭牌工業用縫紉機

INDUSTRIAL SEWING MACHINE

# T828/T828 WITH TRIMMER

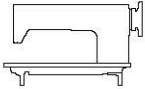



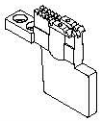

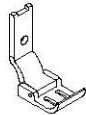



## 零件圖 PARTS LIST



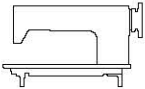



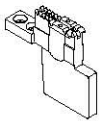
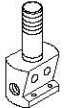
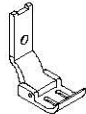

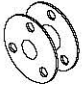

CE

 高林股份有限公司  
KAULIN MFG. CO., LTD.

From the library of: Superior Sewing Machine & Supply LLC

|  |  |  |  |  |  |  |  |  |  |
|---|---|---|---|---|---|---|---|---|---|
| MODEL   | OPERATING PANEL   | SUB-CLASS   | NEEDLE PLATE  | FEED DOG  | NEEDLE CLAMP  | PRESSER FOOT  | HOOK  | BOBBIN  | NEEDLE  |
| 機 型   | 操作盒   | 規 格   | 針 板   | 下送具   | 針 鏢   | 押 具   | 旋 梭   | 梭 子   | 針 號   |
| T828-42-032ML   |   | 1/8"(3.2)   | E734  | D734/P  | M734  | P734/S  | G161  | G307  | DPX5#14   |
| T828-42-048ML   |   | 3/16"(4.8)  | E736  | D736/P  | M736  | P736/S  | G161  | G307  | DPX5#14   |
| T828-42-064ML   |   | 1/4"(6.4)   | E730  | D730/P  | M730  | P730/S  | G161  | G307  | DPX5#14   |
| T828-42-032M  |   | 1/8"(3.2)   | E734  | D734/P  | M734  | P734/S  | G162-A<br>(G162+G406)   | G307  | DPX5#14   |
| T828-42-048M  |   | 3/16"(4.8)  | E736  | D736/P  | M736  | P736/S  | G162-A<br>(G162+G406)   | G307  | DPX5#14   |
| T828-42-064M  |   | 1/4"(6.4)   | E730  | D730/P  | M730  | P730/S  | G162-A<br>(G162+G406)   | G307  | DPX5#14   |
| T828-42-032HL   |   | 1/8"(3.2)   | E762  | D734/P  | M734  | P734/S  | G167  | G307  | DPX5#22   |
| T828-42-048HL   |   | 3/16"(4.8)  | E761  | D736Q   | M736  | P736/S  | G167  | G307  | DPX5#22   |
| T828-42-064HL   |   | 1/4"(6.4)   | E760  | D730Q   | M730  | P730/S  | G167  | G307  | DPX5#22   |
| T828-42-032H  |   | 1/8"(3.2)   | E762  | D734/P  | M734  | P734/S  | G162-A<br>(G162+G406)   | G307  | DPX5#22   |
| T828-42-048H  |   | 3/16"(4.8)  | E761  | D736Q   | M736  | P736/S  | G162-A<br>(G162+G406)   | G307  | DPX5#22   |
| T828-42-064H  |   | 1/4"(6.4)   | E760  | D730Q   | M730  | P730/S  | G162-A<br>(G162+G406)   | G307  | DPX5#22   |
| T828-42-032ML/C   | C300M-A2  | 1/8"(3.2)   | E754  | D754  | M734  | P754/S  | G163  | G307  | DPX5#14   |
| T828-42-048ML/C   | C300M-A2  | 3/16"(4.8)  | E766  | D766  | M736  | P766/S  | G163  | G307  | DPX5#14   |
| T828-42-064ML/C   | C300M-A2  | 1/4"(6.4)   | E745  | D745  | M730  | P745/S  | G163  | G307  | DPX5#14   |
| T828-42-032M/C  | C300M-A2  | 1/8"(3.2)   | E754  | D754  | M734  | P754/S  | G164-A<br>(G164+G406)   | G307  | DPX5#14   |
| T828-42-048M/C  | C300M-A2  | 3/16"(4.8)  | E766  | D766  | M736  | P766/S  | G164-A<br>(G164+G406)   | G307  | DPX5#14   |
| T828-42-064M/C  | C300M-A2  | 1/4"(6.4)   | E745  | D745  | M730  | P745/S  | G164-A<br>(G164+G406)   | G307  | DPX5#14   |

## 規格件表 CONVERSION CHART-2

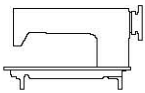
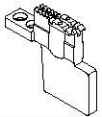
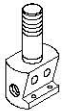
|  |  |  |  |  |  |  |  |  |  |
|---|---|---|---|---|---|---|---|---|---|
| MODEL   | OPERATING PANEL   | SUB-CLASS   | NEEDLE PLATE  | FEED DOG  | NEEDLE CLAMP  | PRESSER FOOT  | HOOK  | BOBBIN  | NEEDLE  |
| 機 型   | 操作盒   | 規 格   | 針 板   | 下送具   | 針 鏢   | 押 具   | 旋 梭   | 梭 子   | 針 號   |
| T828-42-032HL/C   | C300M-A2  | 1/8"(3.2)   | E788  | D788  | M734  | P754/S  | G163  | G307  | DPX5#22   |
| T828-42-048HL/C   | C300M-A2  | 3/16"(4.8)  | E787  | D787  | M736  | P766/S  | G163  | G307  | DPX5#22   |
| T828-42-064HL/C   | C300M-A2  | 1/4"(6.4)   | E786  | D786  | M730  | P745/S  | G163  | G307  | DPX5#22   |
| T828-42-032H/C  | C300M-A2  | 1/8"(3.2)   | E788  | D788  | M734  | P754/S  | G164-A<br>(G164+G406)   | G307  | DPX5#22   |
| T828-42-048H/C  | C300M-A2  | 3/16"(4.8)  | E787  | D787  | M736  | P766/S  | G164-A<br>(G164+G406)   | G307  | DPX5#22   |
| T828-42-064H/C  | C300M-A2  | 1/4"(6.4)   | E786  | D786  | M730  | P745/S  | G164-A<br>(G164+G406)   | G307  | DPX5#22   |
| T828-42-127KL/C   | C301-A  | 1/2"(12.7)  | E763  | D763  | M763  | P763  | G163  | G307  | DPX5#14   |
| T828-45-032M  |   | 1/8"(3.2)   | E762  | D734/P  | M0032R<br>M0032L  | P734/S  | G169-A<br>(G169+G409)   | G307  | DPX5#14   |
| T828-45-048M  |   | 3/16"(4.8)  | E761  | D736/P  | M0048R<br>M0048L  | P736/S  | G169-A<br>(G169+G409)   | G307  | DPX5#14   |
| T828-45-064M  |   | 1/4"(6.4)   | E760  | D730/P  | M0064R<br>M0064L  | P730/S  | G169-A<br>(G169+G409)   | G307  | DPX5#14   |
| T828-45-032H  |   | 1/8"(3.2)   | E762  | D734/P  | M0032R<br>M0032L  | P734/S  | G169-A<br>(G169+G409)   | G307  | DPX5#22   |
| T828-45-048H  |   | 3/16"(4.8)  | E761  | D736Q   | M0048R<br>M0048L  | P736/S  | G169-A<br>(G169+G409)   | G307  | DPX5#22   |
| T828-45-064H  |   | 1/4"(6.4)   | E760  | D730Q   | M0064R<br>M0064L  | P730/S  | G169-A<br>(G169+G409)   | G307  | DPX5#22   |
| T828-45-032M/C  | C300M-A2  | 1/8"(3.2)   | E788  | D754  | M0032R<br>M0032L  | P754/S  | G170-A<br>(G170+G410)   | G307  | DPX5#14   |
| T828-45-048M/C  | C300M-A2  | 3/16"(4.8)  | E787  | D766  | M0048R<br>M0048L  | P766/S  | G170-A<br>(G170+G410)   | G307  | DPX5#14   |
| T828-45-064M/C  | C300M-A2  | 1/4"(6.4)   | E786  | D745  | M0064R<br>M0064L  | P745/S  | G170-A<br>(G170+G410)   | G307  | DPX5#14   |
| T828-45-032H/C  | C300M-A2  | 1/8"(3.2)   | E788  | D788  | M0032R<br>M0032L  | P754/S  | G170-A<br>(G170+G410)   | G307  | DPX5#22   |
| T828-45-048H/C  | C300M-A2  | 3/16"(4.8)  | E787  | D787  | M0048R<br>M0048L  | P766/S  | G170-A<br>(G170+G410)   | G307  | DPX5#22   |



|  |  |  |  |  |  |  |  |  |  |
|---|---|---|---|---|---|---|---|---|---|
| MODEL   | OPERATING PANEL   | SUB-CLASS   | NEEDLE PLATE  | FEED DOG  | NEEDLE CLAMP  | PRESSER FOOT  | HOOK  | BOBBIN  | NEEDLE  |
| 機 型   | 操作盒   | 規 格   | 針 板   | 下送具   | 針 鑷   | 押 具   | 旋 梭   | 梭 子   | 針 號   |
| T828-45-064H/C  | C300M-A2  | 1/4"(6.4)   | E786  | D786  | M0064R<br>M0064L  | P745/S  | G170-A<br>(G170+G410)   | G307  | DPX5#22   |
| T828-47-032LL   |   | 1/8"(3.2)   | E791  | D791  | M734  | P791/S  | G161  | G307  | DPX5#11   |
| T828-47-048LL   |   | 3/16"(4.8)  | E790  | D790  | M736  | P790/S  | G161  | G307  | DPX5#11   |
| T828-47-064LL   |   | 1/4"(6.4)   | E789  | D789  | M730  | P789/S  | G161  | G307  | DPX5#11   |
| T828-47-032L  |   | 1/8"(3.2)   | E791  | D791  | M734  | P791/S  | G162-A<br>(G162+G406)   | G307  | DPX5#11   |
| T828-47-048L  |   | 3/16"(4.8)  | E790  | D790  | M736  | P790/S  | G162-A<br>(G162+G406)   | G307  | DPX5#11   |
| T828-47-064L  |   | 1/4"(6.4)   | E789  | D789  | M730  | P789/S  | G162-A<br>(G162+G406)   | G307  | DPX5#11   |
| T828-47-032LL/C   | C300M-A2  | 1/8"(3.2)   | E794  | D794  | M734  | P791A   | G163  | G307  | DPX5#11   |
| T828-47-048LL/C   | C300M-A2  | 3/16"(4.8)  | E793  | D793  | M736  | P790A   | G163  | G307  | DPX5#11   |
| T828-47-064LL/C   | C300M-A2  | 1/4"(6.4)   | E792  | D792  | M730  | P789A   | G163  | G307  | DPX5#11   |
| T828-47-032L/C  | C300M-A2  | 1/8"(3.2)   | E794  | D794  | M734  | P791A   | G164-A<br>(G164+G406)   | G307  | DPX5#11   |
| T828-47-048L/C  | C300M-A2  | 3/16"(4.8)  | E793  | D793  | M736  | P790A   | G164-A<br>(G164+G406)   | G307  | DPX5#11   |
| T828-47-064L/C  | C300M-A2  | 1/4"(6.4)   | E792  | D792  | M730  | P789A   | G164-A<br>(G164+G406)   | G307  | DPX5#11   |
| T828-48-032L  |   | 1/8"(3.2)   | E791  | D791  | M0032R<br>M0032L  | P791/S  | G169-A<br>(G169+G409)   | G307  | DPX5#11   |
| T828-48-048L  |   | 3/16"(4.8)  | E790  | D790  | M0048R<br>M0048L  | P790/S  | G169-A<br>(G169+G409)   | G307  | DPX5#11   |
| T828-48-064L  |   | 1/4"(6.4)   | E789  | D789  | M0064R<br>M0064L  | P789/S  | G169-A<br>(G169+G409)   | G307  | DPX5#11   |
| T828-48-032L/C  | C300M-A2  | 1/8"(3.2)   | E794  | D794  | M0032R<br>M0032L  | P791A   | G170-A<br>(G170+G410)   | G307  | DPX5#11   |
| T828-48-048L/C  | C300M-A2  | 3/16"(4.8)  | E793  | D793  | M0048R<br>M0048L  | P790A   | G170-A<br>(G170+G410)   | G307  | DPX5#11   |

# 規格件表 CONVERSION CHART-4

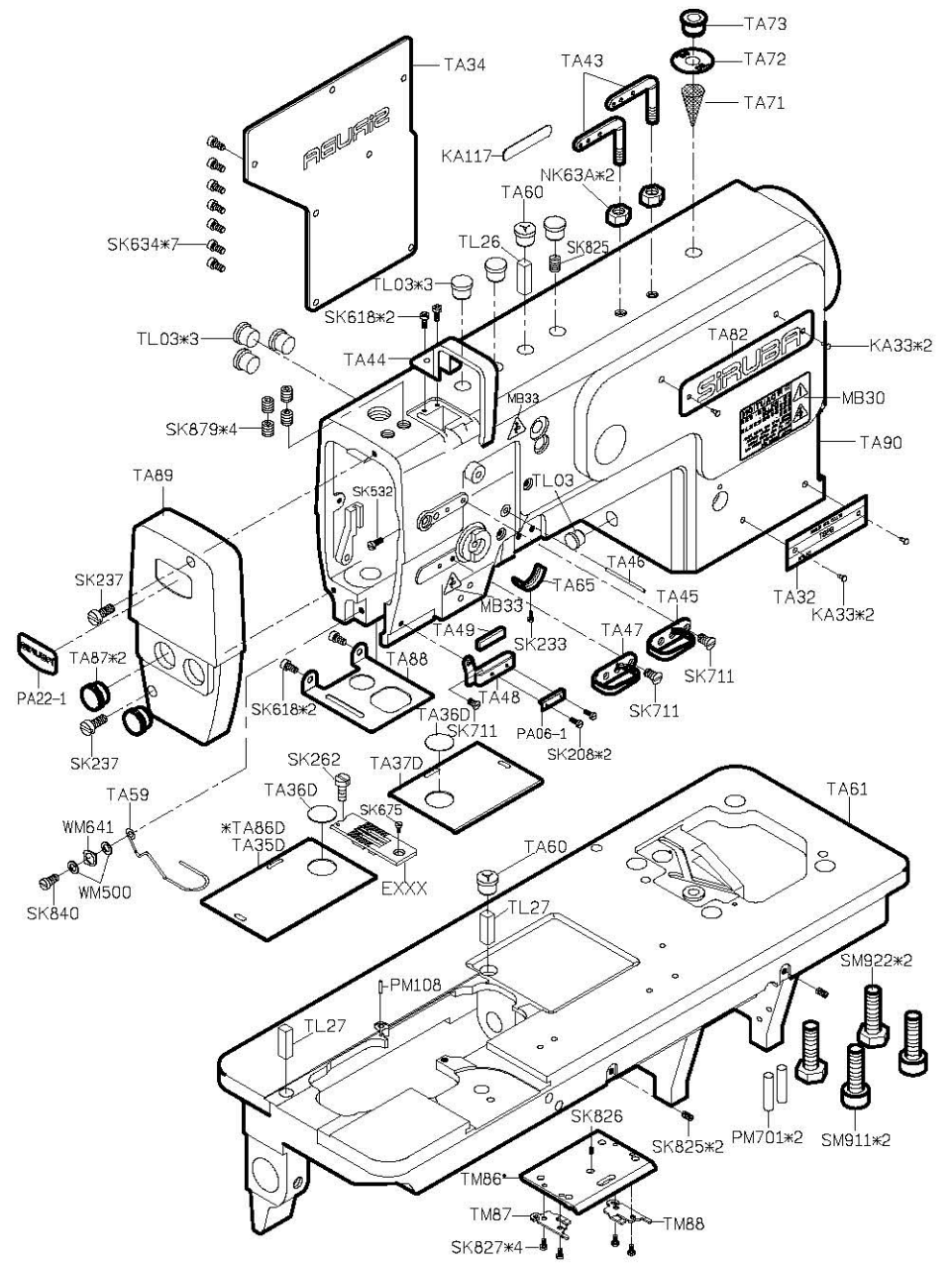
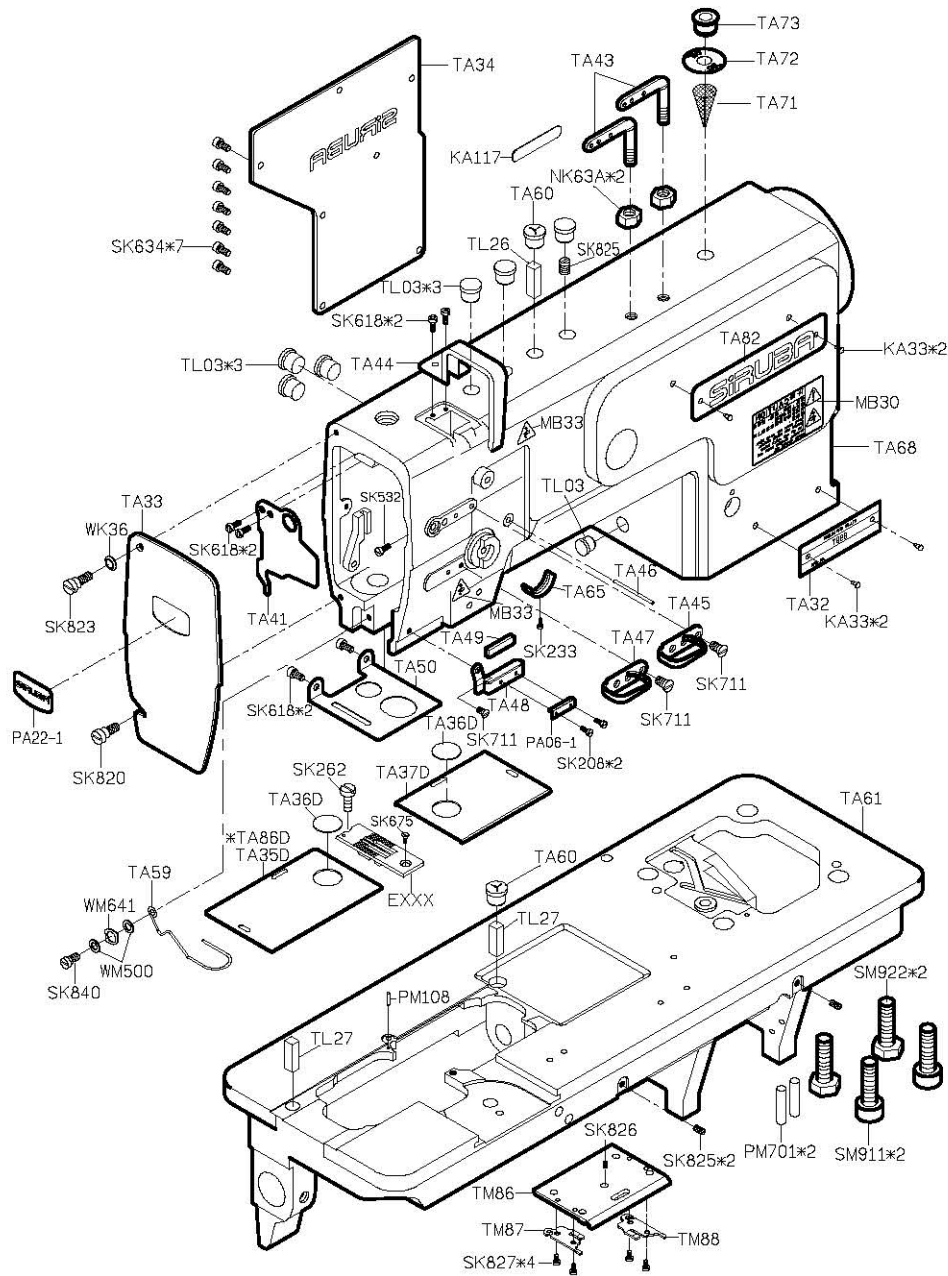
|  |  |  |  |  |  |  |  |  |  |
|---|---|---|---|---|---|---|---|---|---|
| MODEL   | OPERATING PANEL   | SUB-CLASS   | NEEDLE PLATE  | FEED DOG  | NEEDLE CLAMP  | PRESSER FOOT  | HOOK  | BOBBIN  | NEEDLE  |
| 機 型   | 操作盒   | 規 格   | 針 板   | 下送具   | 針 鉗   | 押 具   | 旋 梭   | 梭 子   | 針 號   |
| T828-48-064L/C  | C300M-A2  | 1/4"(6.4)   | E792  | D792  | M0064R<br>M0064L  | P789A   | G170-A<br>(G170+G410)   | G307  | DPX5#11   |
| T828-72-032ML   |   | 1/8"(3.2)   | E762  | D734/P  | M734  | P762/S  | G165  | G310  | DPX5#14   |
| T828-72-048ML   |   | 3/16"(4.8)  | E761  | D736/P  | M736  | P761/S  | G165  | G310  | DPX5#14   |
| T828-72-064ML   |   | 1/4"(6.4)   | E760  | D730/P  | M730  | P760/S  | G165  | G310  | DPX5#14   |
| T828-72-032HL   |   | 1/8"(3.2)   | E762  | D734/P  | M734  | P762/S  | G165  | G310  | DPX5#22   |
| T828-72-048HL   |   | 3/16"(4.8)  | E761  | D736Q   | M736  | P761/S  | G165  | G310  | DPX5#22   |
| T828-72-064HL   |   | 1/4"(6.4)   | E760  | D730Q   | M730  | P760/S  | G165  | G310  | DPX5#22   |
| T828-72-032M/C  | C300M-A2  | 1/8"(3.2)   | E788  | D754  | M734  | P762/S  | G168-A<br>(G168+G411)   | G310  | DPX5#14   |
| T828-72-048M/C  | C300M-A2  | 3/16"(4.8)  | E787  | D766  | M736  | P761/S  | G168-A<br>(G168+G411)   | G310  | DPX5#14   |
| T828-72-064M/C  | C300M-A2  | 1/4"(6.4)   | E786  | D745  | M730  | P760/S  | G168-A<br>(G168+G411)   | G310  | DPX5#14   |
| T828-72-032H/C  | C300M-A2  | 1/8"(3.2)   | E788  | D788  | M734  | P762/S  | G168-A<br>(G168+G411)   | G310  | DPX5#22   |
| T828-72-048H/C  | C300M-A2  | 3/16"(4.8)  | E787  | D787  | M736  | P761/S  | G168-A<br>(G168+G411)   | G310  | DPX5#22   |
| T828-72-064H/C  | C300M-A2  | 1/4"(6.4)   | E786  | D786  | M730  | P760/S  | G168-A<br>(G168+G411)   | G310  | DPX5#22   |
| T828-75-032M  |   | 1/8"(3.2)   | E762  | D734/P  | M0032R<br>M0032L  | P762/S  | G166-A<br>(G166+G407)   | G310  | DPX5#14   |
| T828-75-048M  |   | 3/16"(4.8)  | E761  | D736/P  | M0048R<br>M0048L  | P761/S  | G166-A<br>(G166+G407)   | G310  | DPX5#14   |
| T828-75-064M  |   | 1/4"(6.4)   | E760  | D730/P  | M0064R<br>M0064L  | P760/S  | G166-A<br>(G166+G407)   | G310  | DPX5#14   |
| T828-75-032H  |   | 1/8"(3.2)   | E762  | D734/P  | M0032R<br>M0032L  | P762/S  | G166-A<br>(G166+G407)   | G310  | DPX5#22   |
| T828-75-048H  |   | 3/16"(4.8)  | E761  | D736Q   | M0048R<br>M0048L  | P761/S  | G166-A<br>(G166+G407)   | G310  | DPX5#22   |

|  |  |  |  |  |  |  |  |  |  |
|---|---|---|---|---|---|---|---|---|---|
| MODEL   | OPERATING PANEL   | SUB-CLASS   | NEEDLE PLATE  | FEED DOG  | NEEDLE CLAMP  | PRESSER FOOT  | HOOK  | BOBBIN  | NEEDLE  |
| 機 型   | 操作盒   | 規 格   | 針 板   | 下送具   | 針 釧   | 押 具   | 旋 梭   | 梭 子   | 針 號   |
| T828-75-064H  |   | 1/4"(6.4)   | E760  | D730Q   | M0064R<br>M0064L  | P760/S  | G166-A<br>(G166+G407)   | G310  | DPX5#22   |
| T828-75-032M/C  | C300M-A2  | 1/8"(3.2)   | E788  | D754  | M0032R<br>M0032L  | P762/S  | G168-A1<br>(G168+G408)  | G310  | DPX5#14   |
| T828-75-048M/C  | C300M-A2  | 3/16"(4.8)  | E787  | D766  | M0048R<br>M0048L  | P761/S  | G168-A1<br>(G168+G408)  | G310  | DPX5#14   |
| T828-75-064M/C  | C300M-A2  | 1/4"(6.4)   | E786  | D745  | M0064R<br>M0064L  | P760/S  | G168-A1<br>(G168+G408)  | G310  | DPX5#14   |
| T828-75-032H/C  | C300M-A2  | 1/8"(3.2)   | E788  | D788  | M0032R<br>M0032L  | P762/S  | G168-A1<br>(G168+G408)  | G310  | DPX5#22   |
| T828-75-048H/C  | C300M-A2  | 3/16"(4.8)  | E787  | D787  | M0048R<br>M0048L  | P761/S  | G168-A1<br>(G168+G408)  | G310  | DPX5#22   |
| T828-75-064H/C  | C300M-A2  | 1/4"(6.4)   | E786  | D786  | M0064R<br>M0064L  | P760/S  | G168-A1<br>(G168+G408)  | G310  | DPX5#22   |

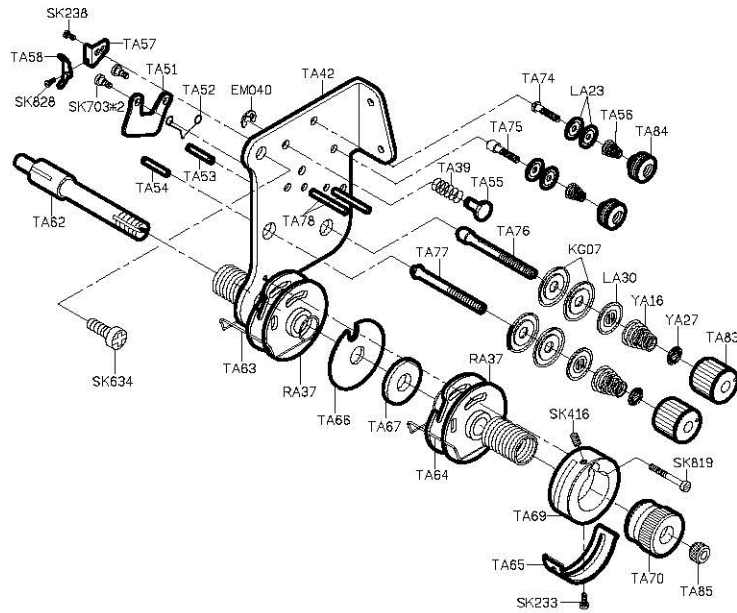


# PARTS LIST FOR TA GROUP

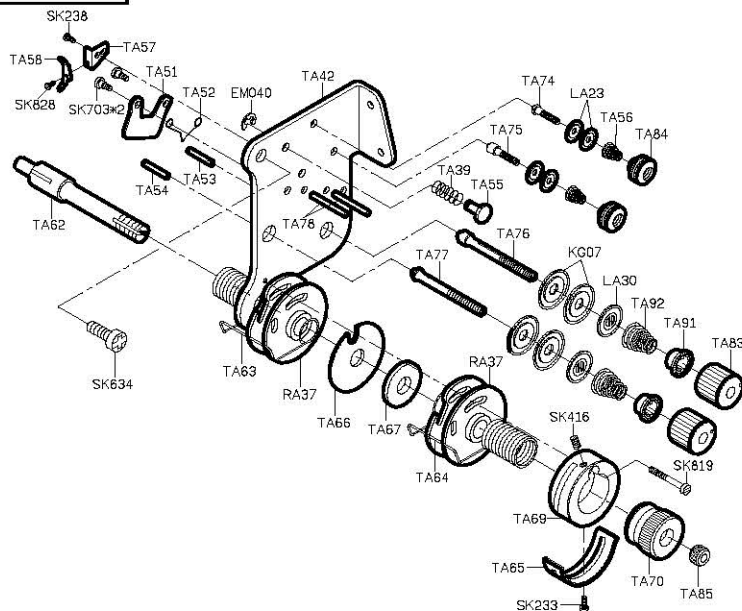
# PARTS LIST FOR TA GROUP



**TA42-A**

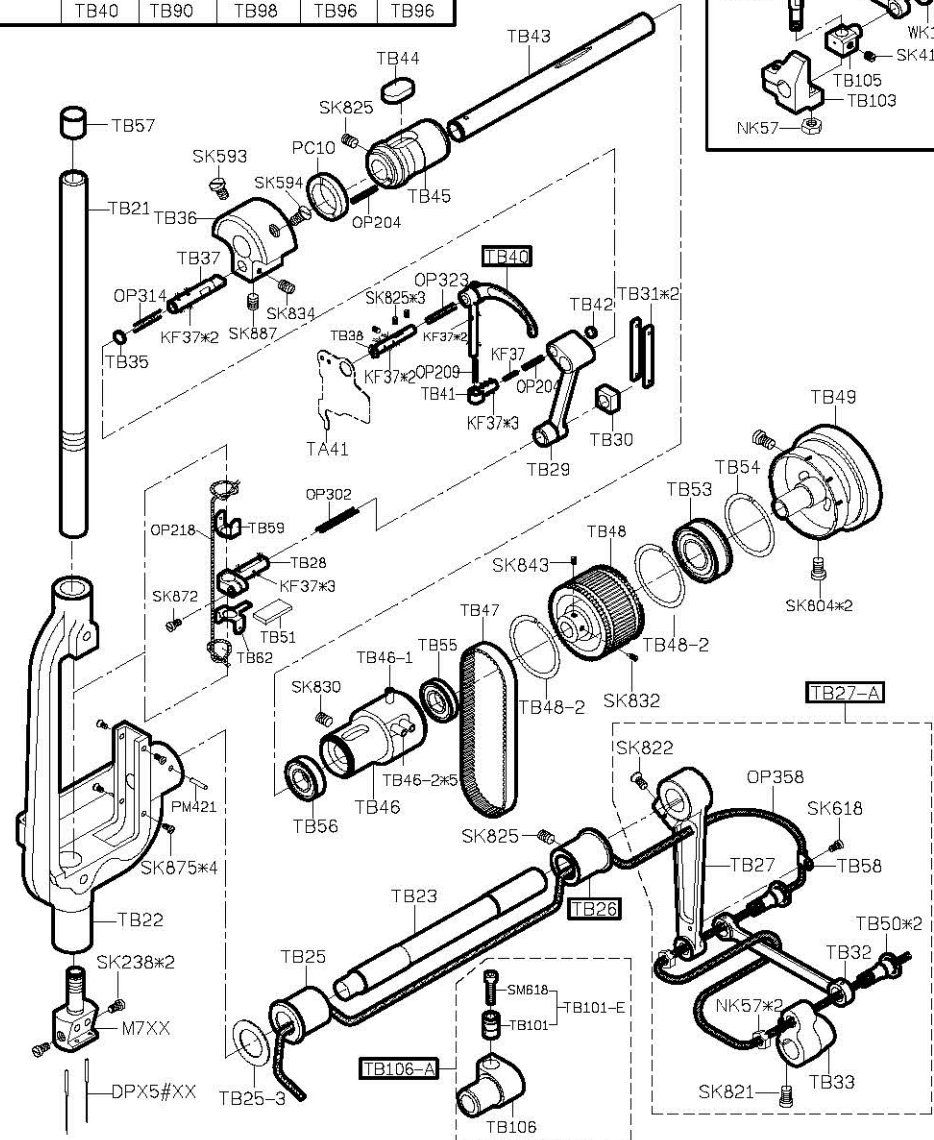
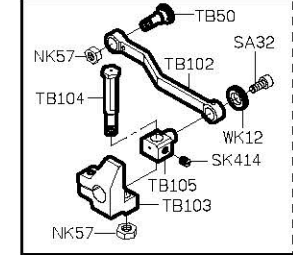


**TA91-A (FOR T828-47/48)**



| MODEL     | T828-42 |        | T828-47 |        | T828-72 |      |
|-----------|---------|--------|---------|--------|---------|------|
|           | M       | H      | L       | M      | H       |      |
| PARTS NO. | TB26    | TB26   | TB106-A | TB26   | TB26    | TB26 |
|           | TB27-A  | TB27-A |         | TB27-A | TB27-A  |      |
|           | TB40    | TB90   | TB98    | TB96   | TB96    |      |

下送及針送更換用



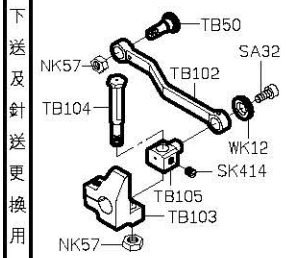


# PARTS LIST FOR TB GROUP

# PARTS LIST FOR TC GROUP

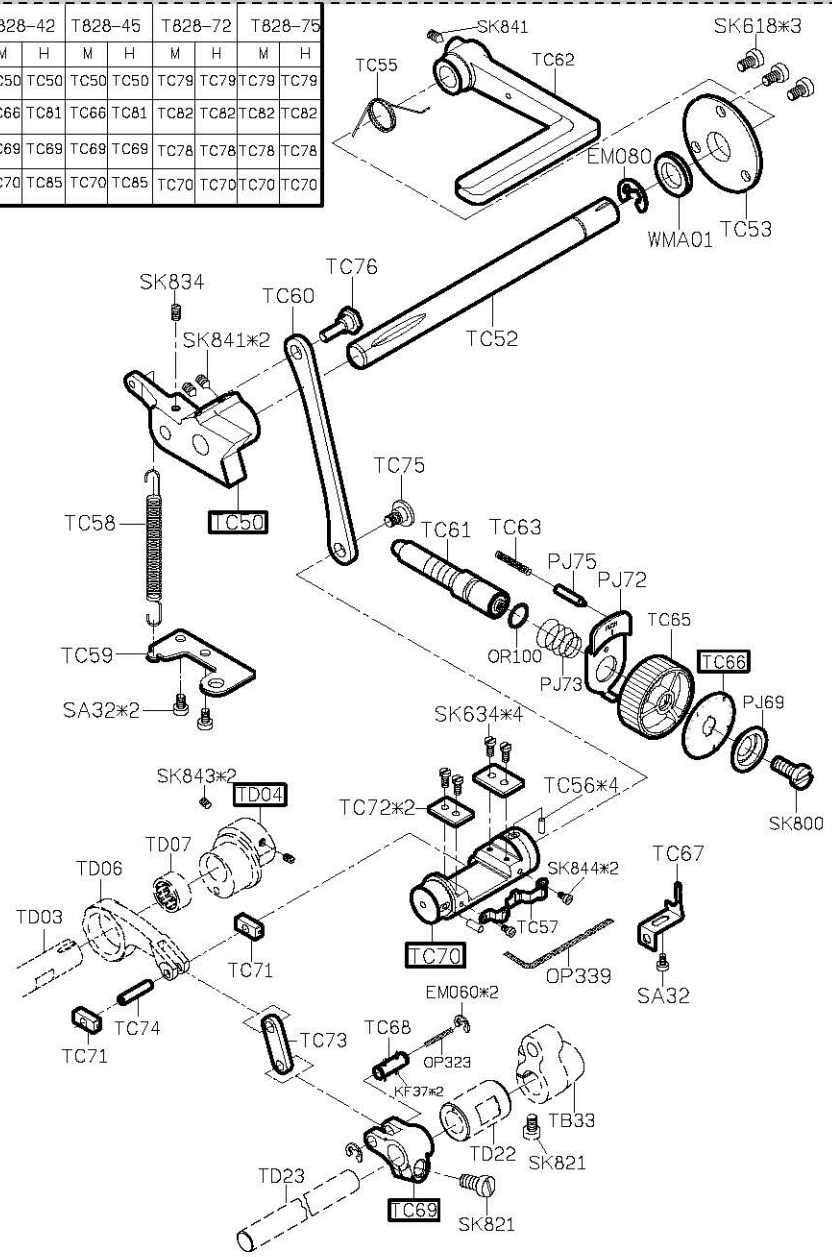
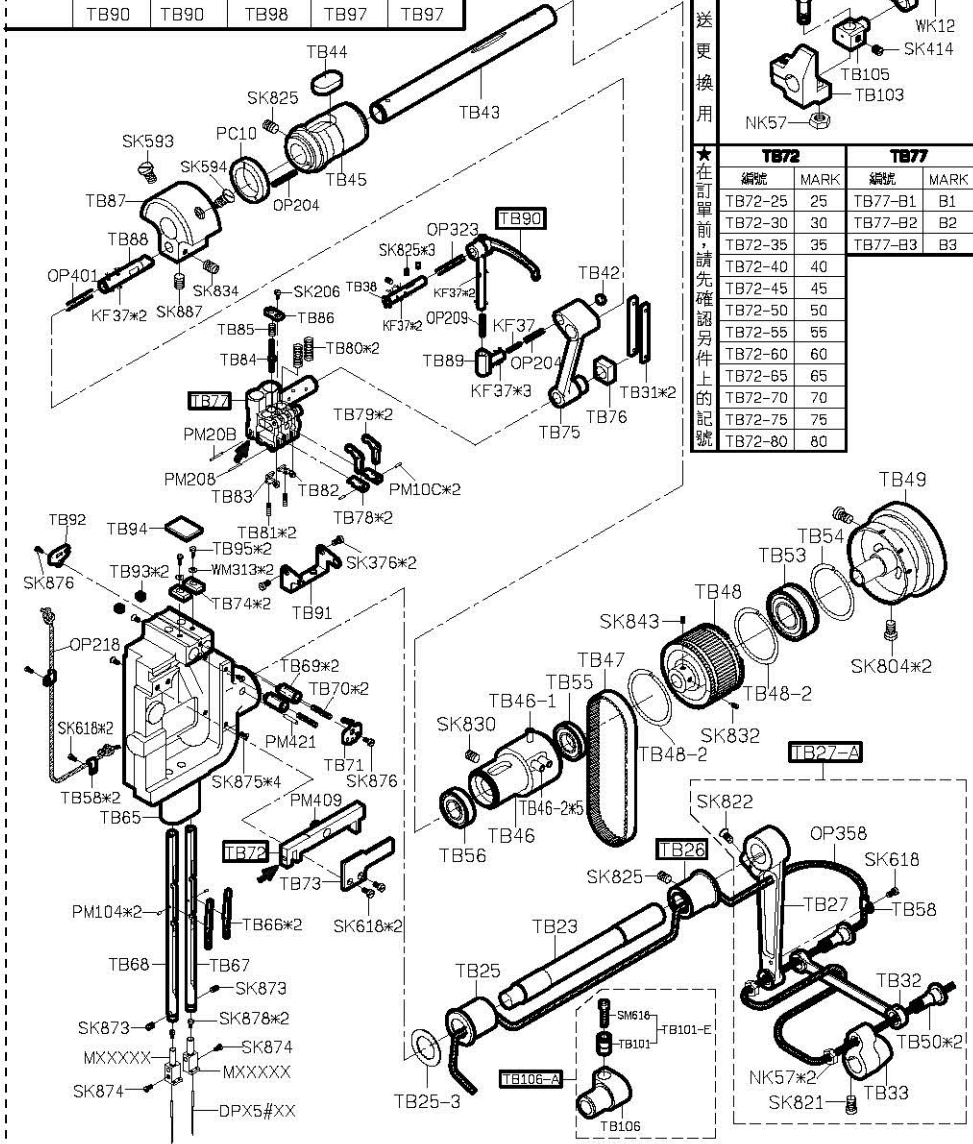
|           |         |        |         |         |        |
|-----------|---------|--------|---------|---------|--------|
| MODEL     | T828-45 |        | T828-48 | T828-75 |        |
|           | M       | H      | L       | M       | H      |
| PARTS NO. | TB26    | TB26   | TB106-A | TB26    | TB26   |
|           | TB27-A  | TB27-A |         | TB27-A  | TB27-A |
|           | TB90    | TB90   | TB98    | TB97    | TB97   |

|           |         |      |         |      |         |      |         |      |
|-----------|---------|------|---------|------|---------|------|---------|------|
| MODEL     | T828-42 |      | T828-45 |      | T828-72 |      | T828-75 |      |
|           | M       | H    | M       | H    | M       | H    | M       | H    |
| PARTS NO. | TC50    | TC50 | TC50    | TC50 | TC79    | TC79 | TC79    | TC79 |
|           | TC66    | TC81 | TC66    | TC81 | TC82    | TC82 | TC82    | TC82 |
|           | TC69    | TC69 | TC69    | TC69 | TC78    | TC78 | TC78    | TC78 |
|           | TC70    | TC65 | TC70    | TC85 | TC70    | TC70 | TC70    | TC70 |



★ 在訂購前，請先確認另件上的記號

| TB72    |      | TB77    |      |
|---------|------|---------|------|
| 編號      | MARK | 編號      | MARK |
| TB72-25 | 25   | TB77-B1 | B1   |
| TB72-30 | 30   | TB77-B2 | B2   |
| TB72-35 | 35   | TB77-B3 | B3   |
| TB72-40 | 40   |         |      |
| TB72-45 | 45   |         |      |
| TB72-50 | 50   |         |      |
| TB72-55 | 55   |         |      |
| TB72-60 | 60   |         |      |
| TB72-65 | 65   |         |      |
| TB72-70 | 70   |         |      |
| TB72-75 | 75   |         |      |
| TB72-80 | 80   |         |      |





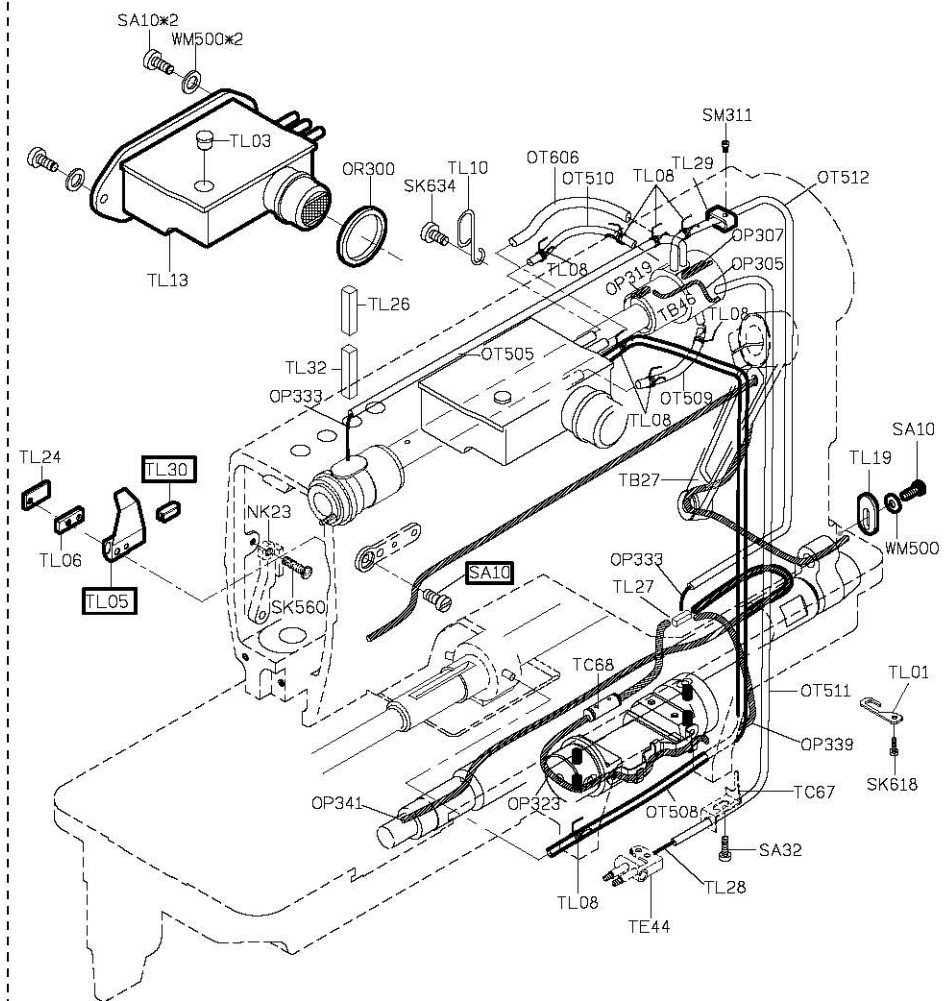
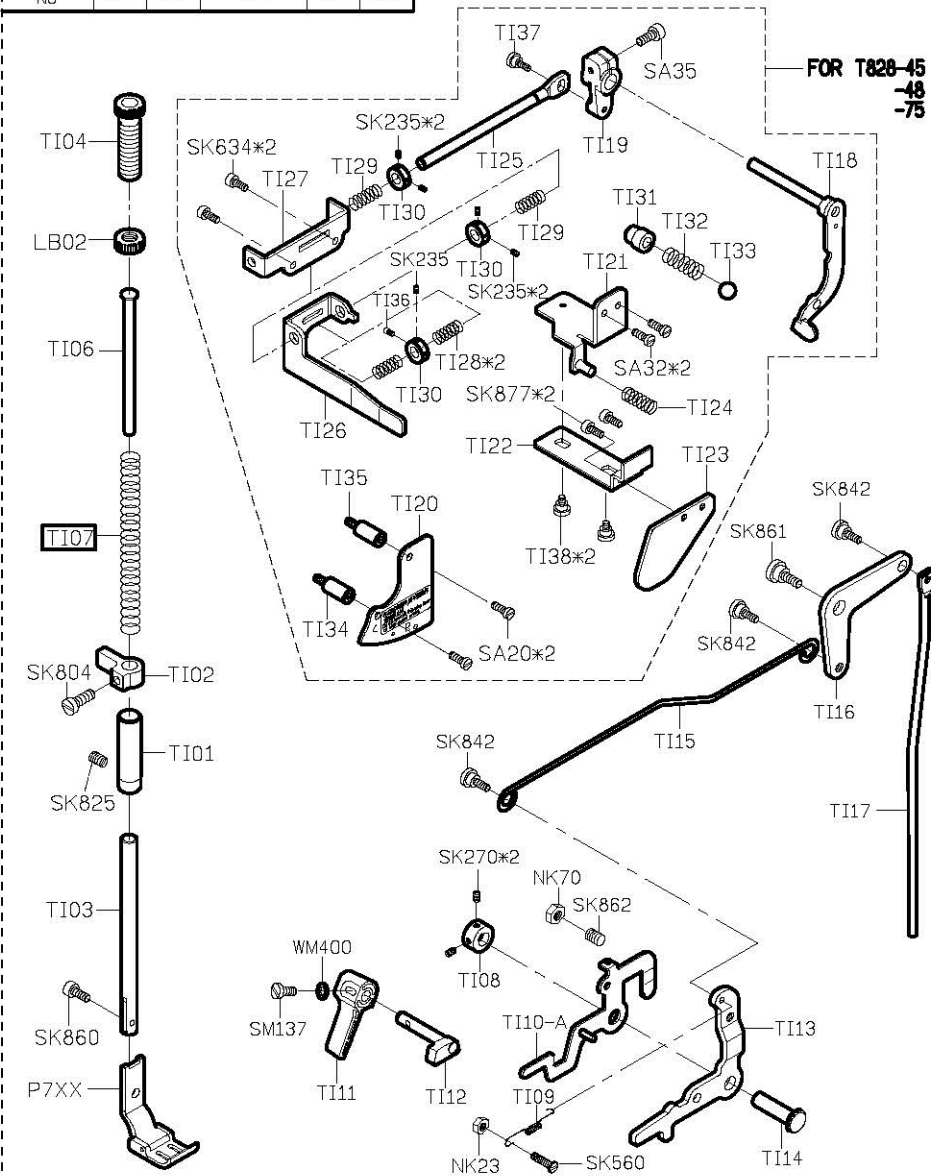


# PARTS LIST FOR TI GROUP

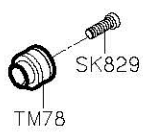
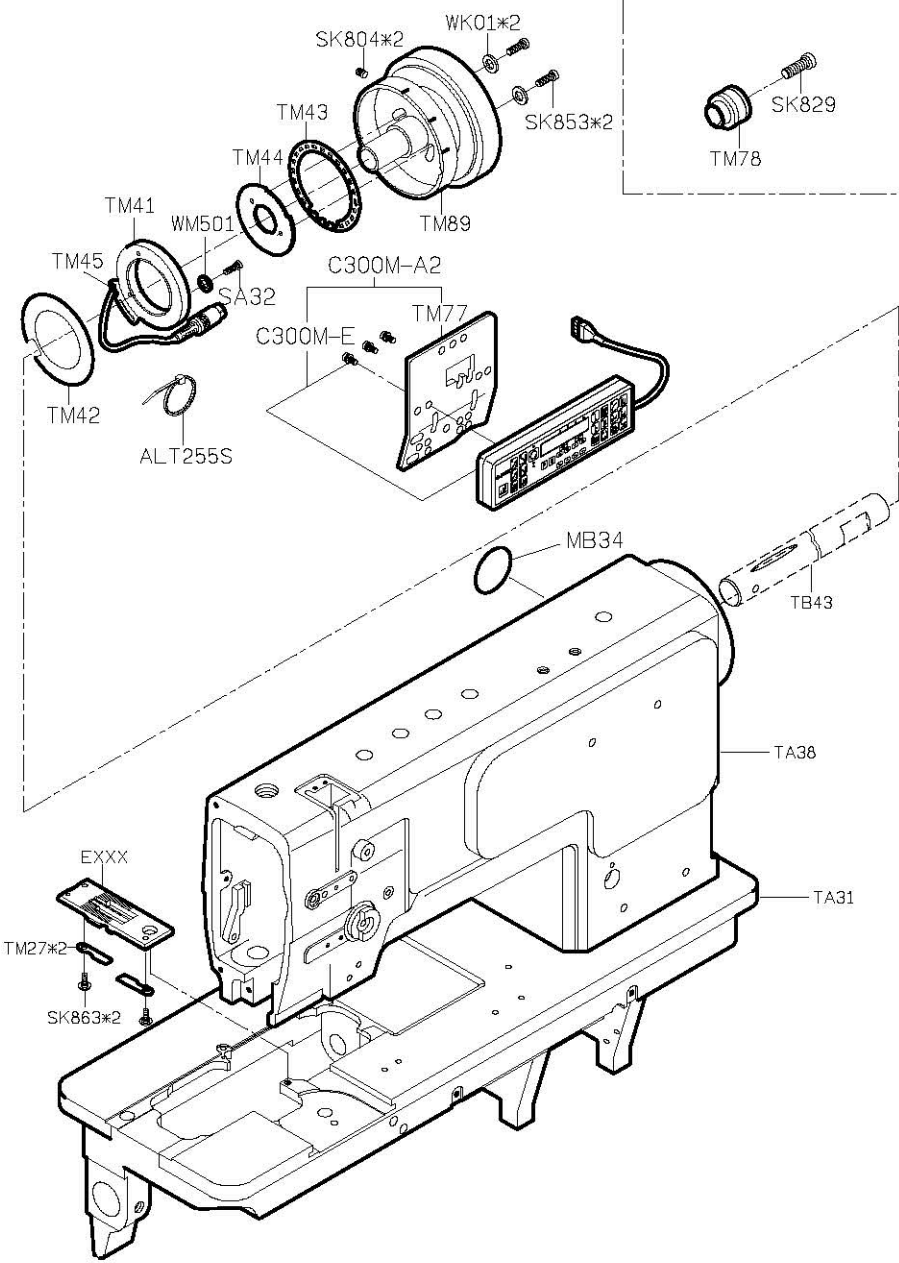
# PARTS LIST FOR TL GROUP

| MODEL    | T828-42/45 |      | T828-47/48 |      | T828-72/75 |  |
|----------|------------|------|------------|------|------------|--|
|          | M          | H    | L          | M    | H          |  |
| PARTS NO | TI07       | TI07 | TI45       | TI07 | TI07       |  |

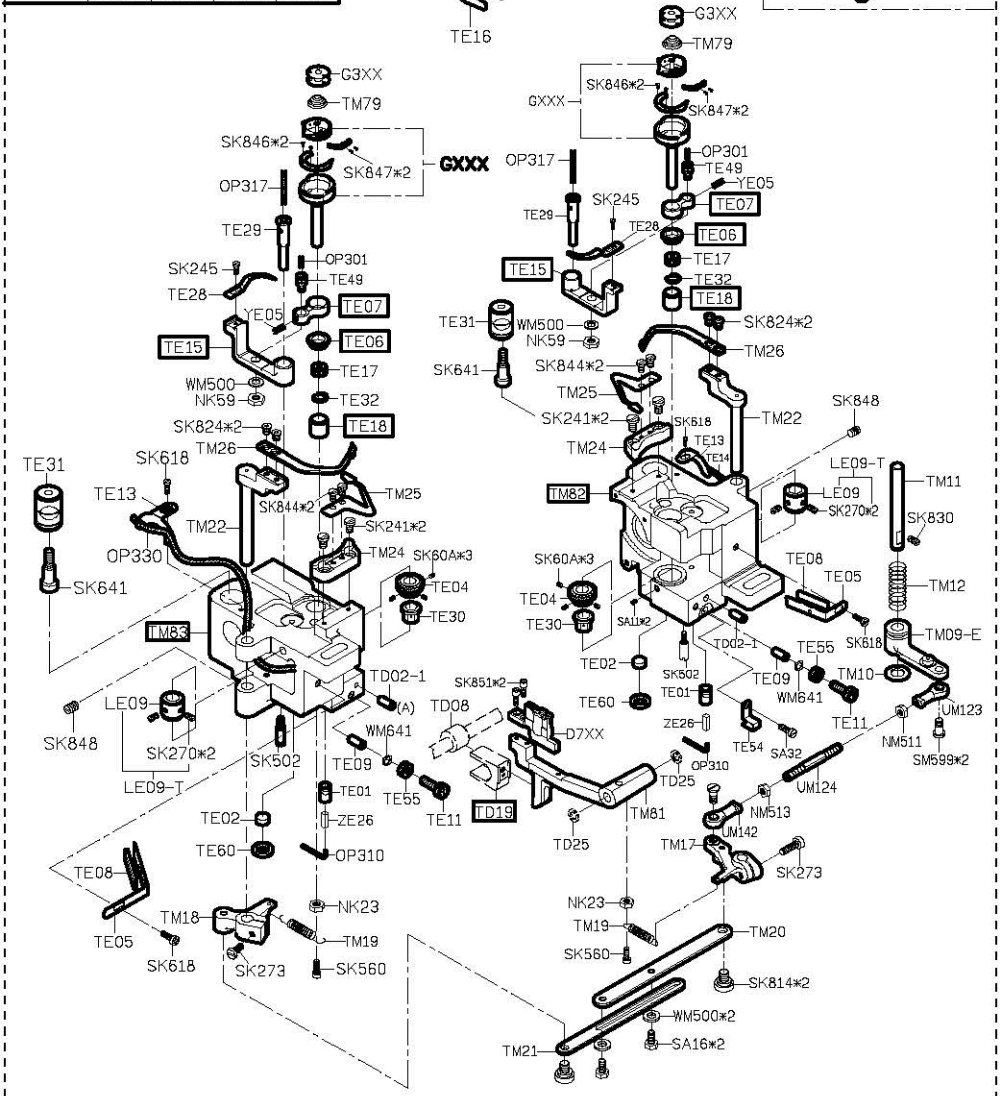
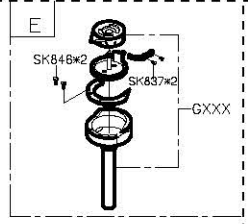
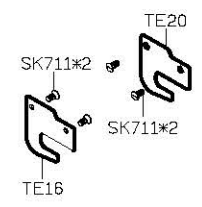
| MODEL    | T828-42/72 |      | T828-45/75 |      |
|----------|------------|------|------------|------|
|          | M          | H    | M          | H    |
| PARTS NO | SA10       | SA10 | SA12       | SA12 |
|          | TL05       | TL05 | TL31       | TL31 |







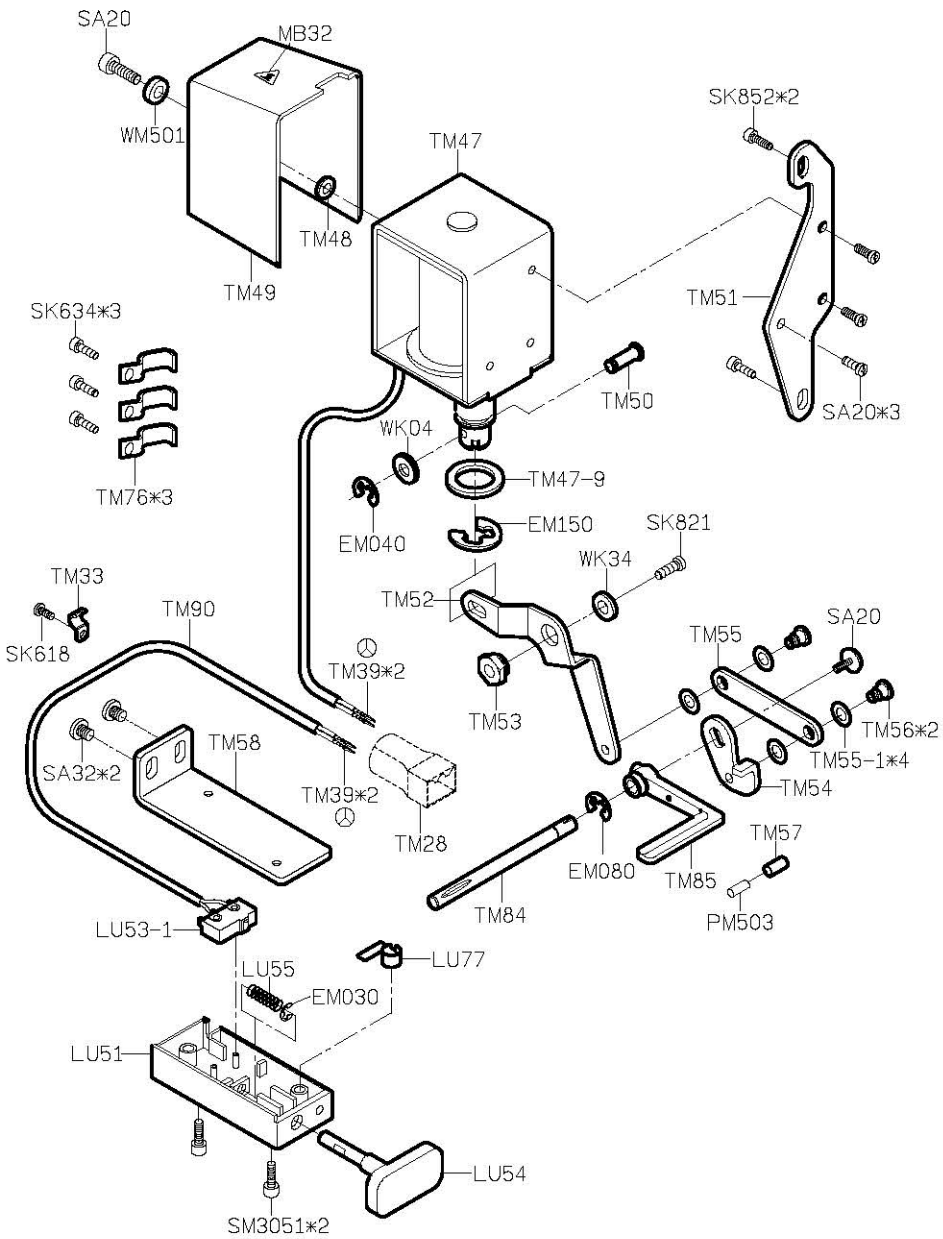
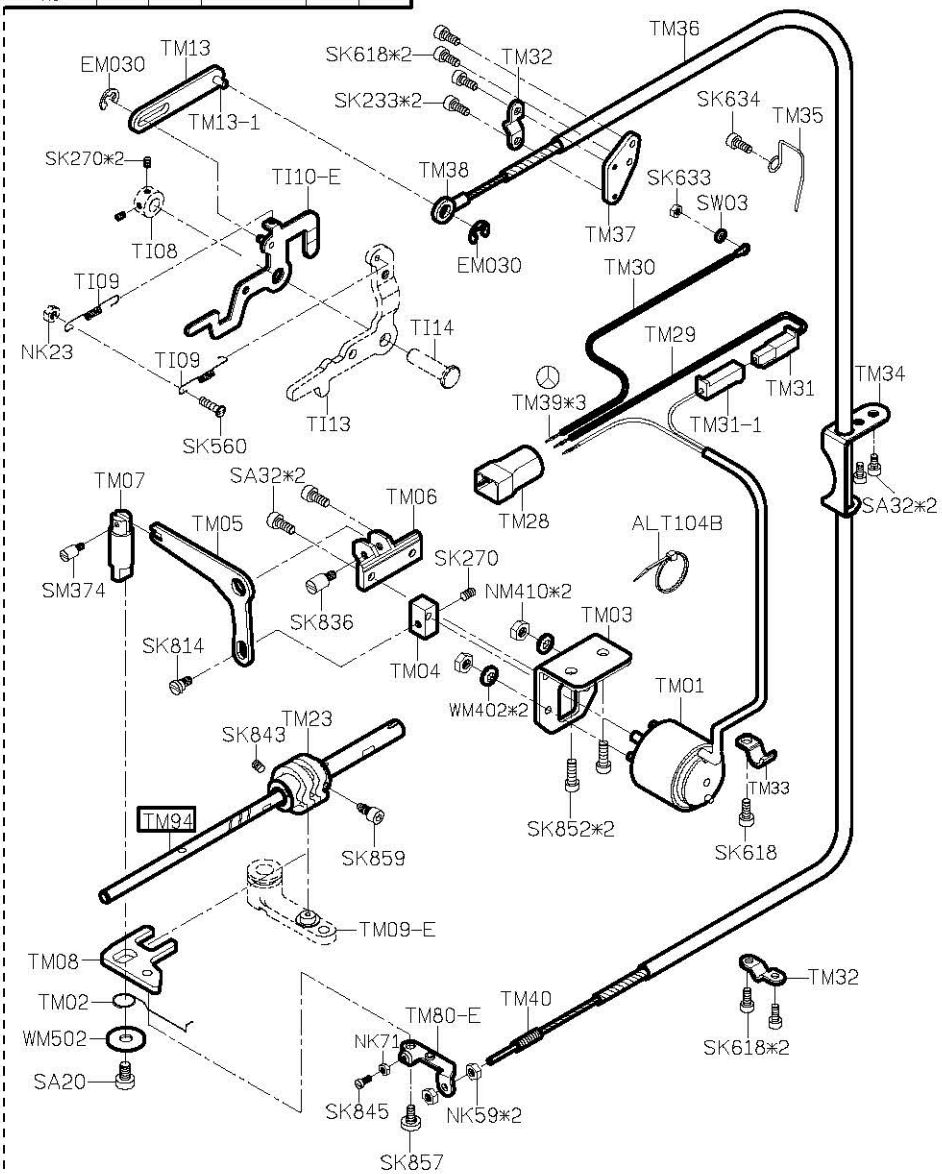
| MODEL    | T828-42/45 |      | T828-72/75 |      |
|----------|------------|------|------------|------|
|          | M          | H    | M          | H    |
| PARTS NO | TE06       | TE06 | TE56       | TE56 |
|          | TE07       | TE07 | TE57       | TE57 |
|          | TE15       | TE15 | TE58       | TE58 |
|          | TE18       | TE18 | TE59       | TE59 |
|          | TM82       | TM82 | TM95       | TM95 |
|          | TM83       | TM83 | TM96       | TM96 |



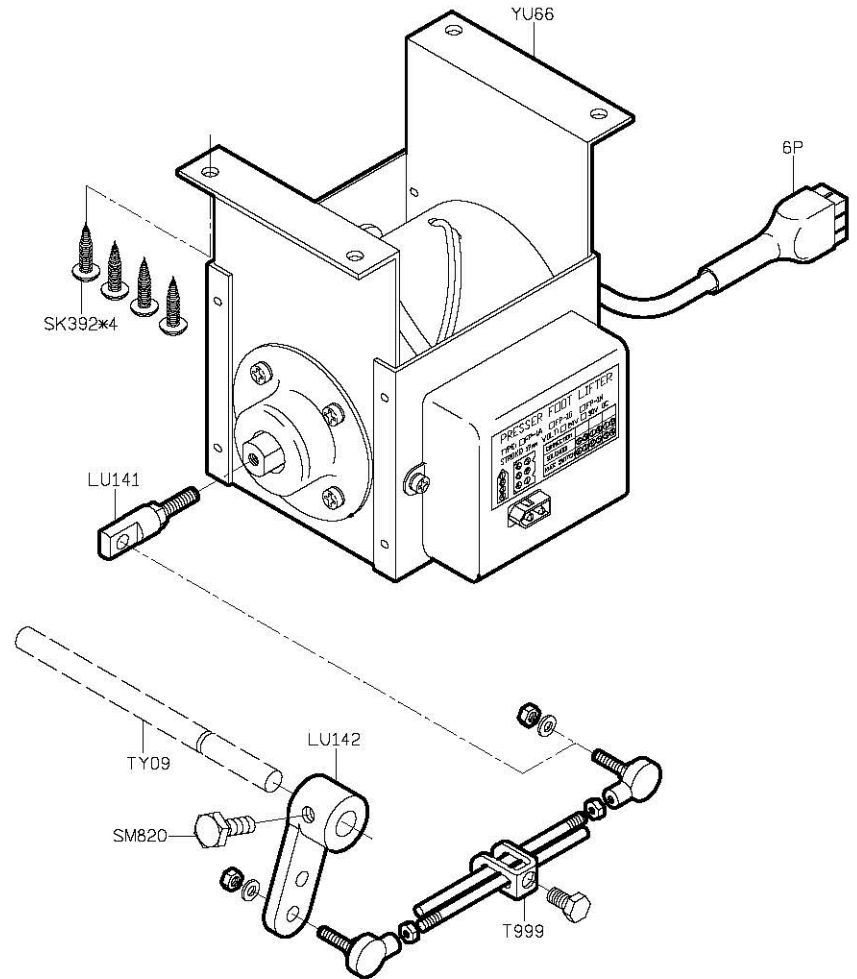
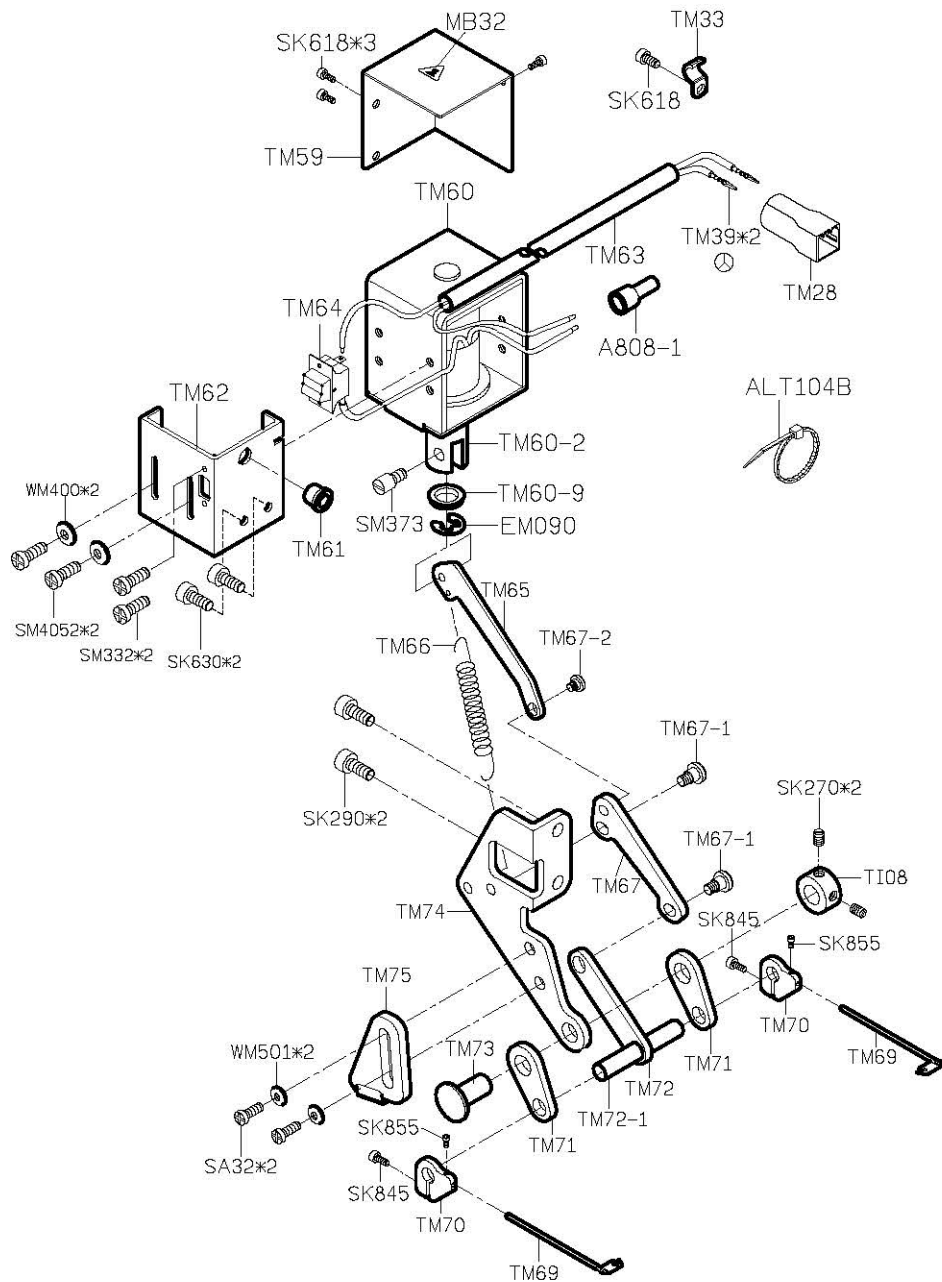
# PARTS LIST FOR TM GROUP

# PARTS LIST FOR TM GROUP

| MODEL    | T828-42/45 |      | T828-47/48 |      | T828-72/75 |  |
|----------|------------|------|------------|------|------------|--|
|          | M          | H    | L          | M    | H          |  |
| PARTS NO | TM94       | TM94 | TM97       | TM94 | TM94       |  |



YU66-A1

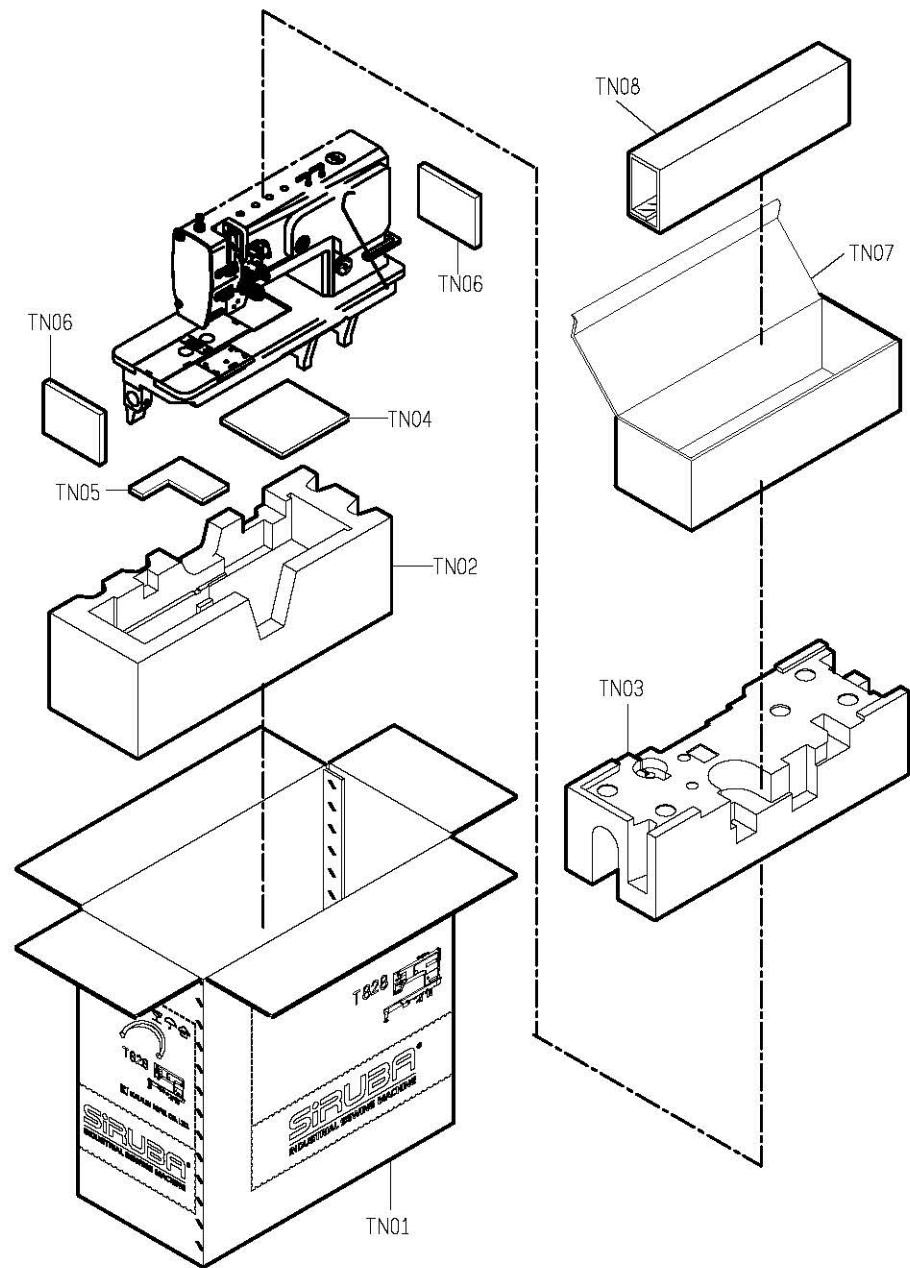
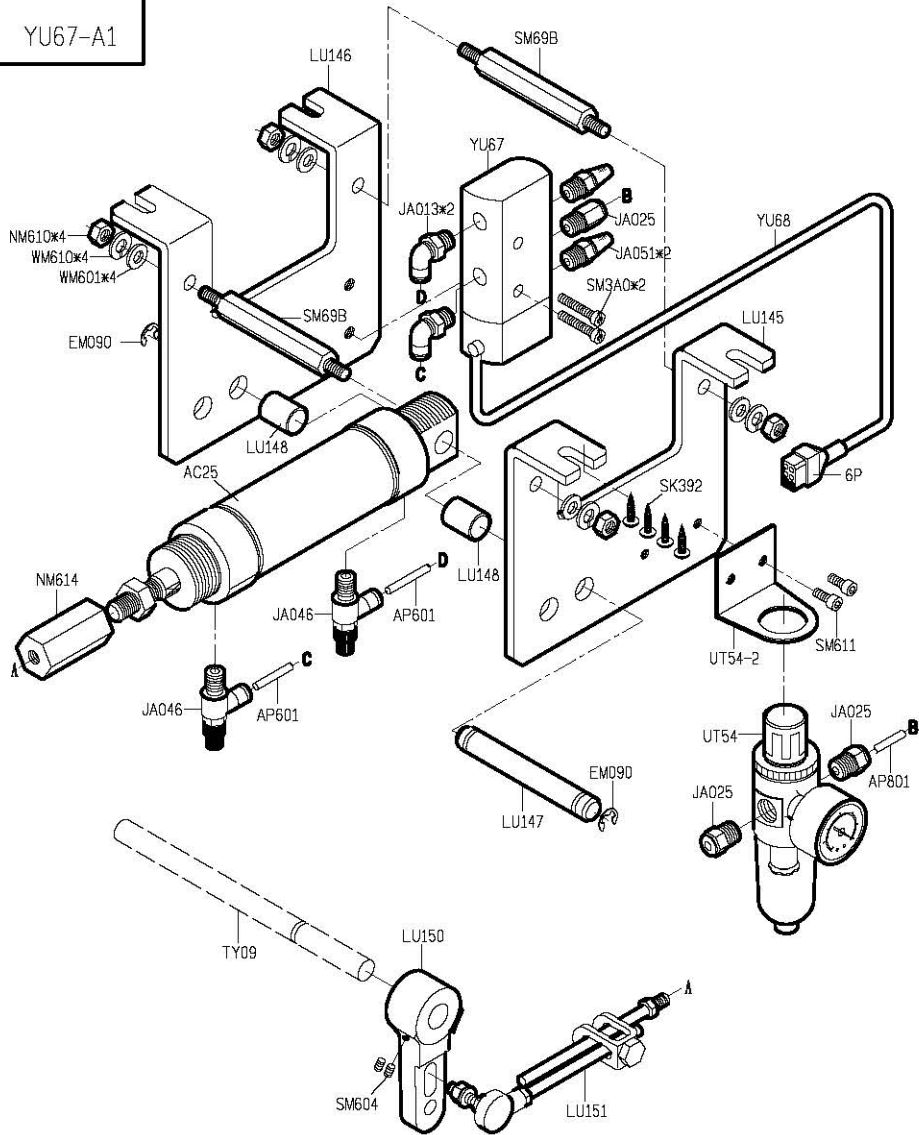




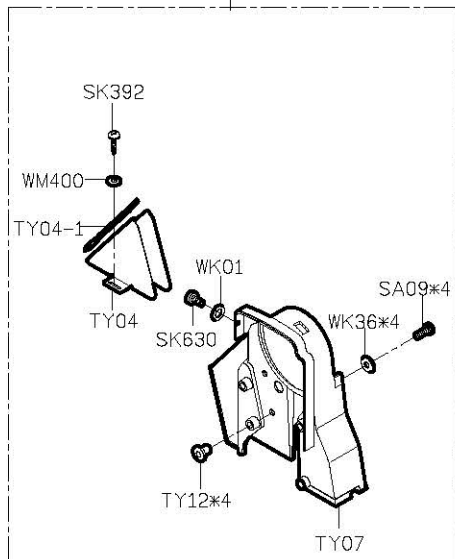
# PARTS LIST FOR TM GROUP

# PARTS LIST FOR TN GROUP

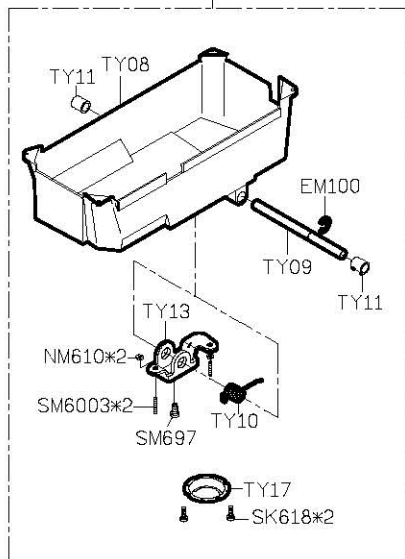
YU67-A1



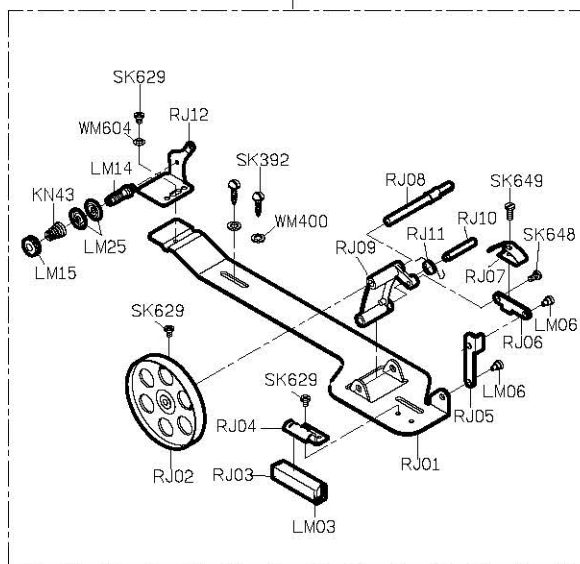
07 手輪護蓋



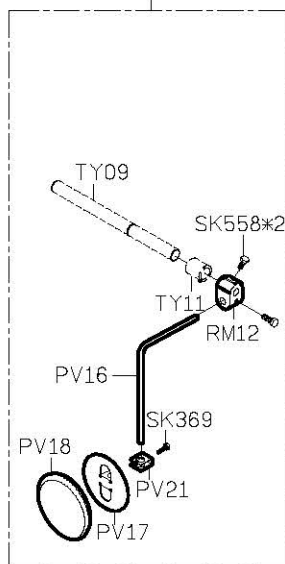
08-A 油盤



RJ01-A 繞線器



PV16-A1 腳弓



01 說明書



MY11 六角板手



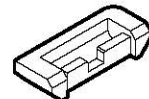
KY09 開口板手



KZ03 乾燥劑



LY04\*2 後鈕墊



14 押具提昇軸



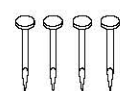
MY13 六角板手



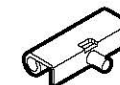
KY10 六角板手



PY05\*4 鐵釘



LY05\*2 後鈕



15\*4 防震橡膠墊



GXXX\*4 梭子



KY16 一字起子



LY01 開口板手



☆103D 切刀



16 油壺



KY02-A 油罐



KY17 一字起子



LY02 木頭桿



TY02 零件圖



MY01 防塵罩



KY03 油壺



KY26F 工具袋



針\*4



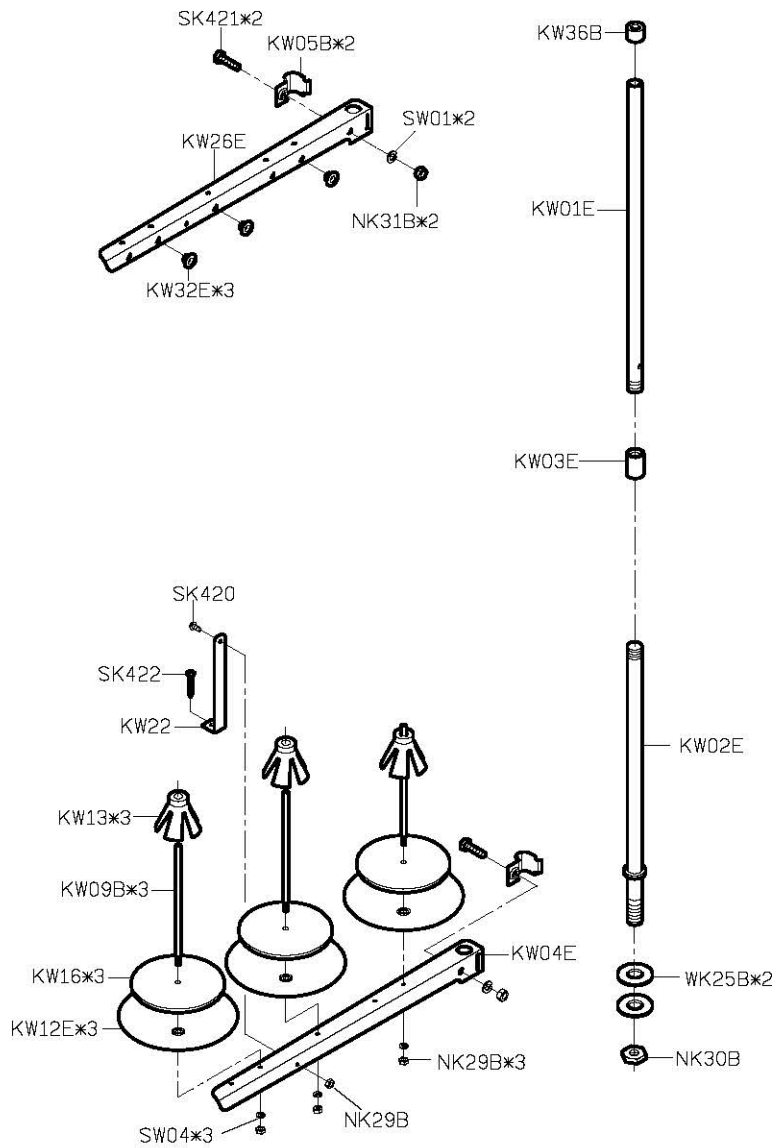
☆TP156 使用說明書



| MODEL    | T828-42 |         | T828-45 |         | T828-47 | T828-48 | T828-72 |         | T828-75 |         |
|----------|---------|---------|---------|---------|---------|---------|---------|---------|---------|---------|
|          | M       | H       | M       | H       | L       | L       | M       | H       | M       | H       |
| PARTS NO | G307    | G307    | G307    | G307    | G307    | G307    | G310    | G310    | G310    | G310    |
|          | KY17    | KY17    | KY14    | KY14    | KY17    | KY14    | KY17    | KY17    | KY14    | KY14    |
|          | DPX5#14 | DPX5#22 | DPX5#14 | DPX5#22 | DPX5#11 | DPX5#11 | DPX5#14 | DPX5#22 | DPX5#14 | DPX5#22 |

# PARTS LIST FOR THREAD STAND GROUP

PY11-3







# T828/T828 WITH TRIMMER

高林股份有限公司 KAULIN MFG. CO., LTD.