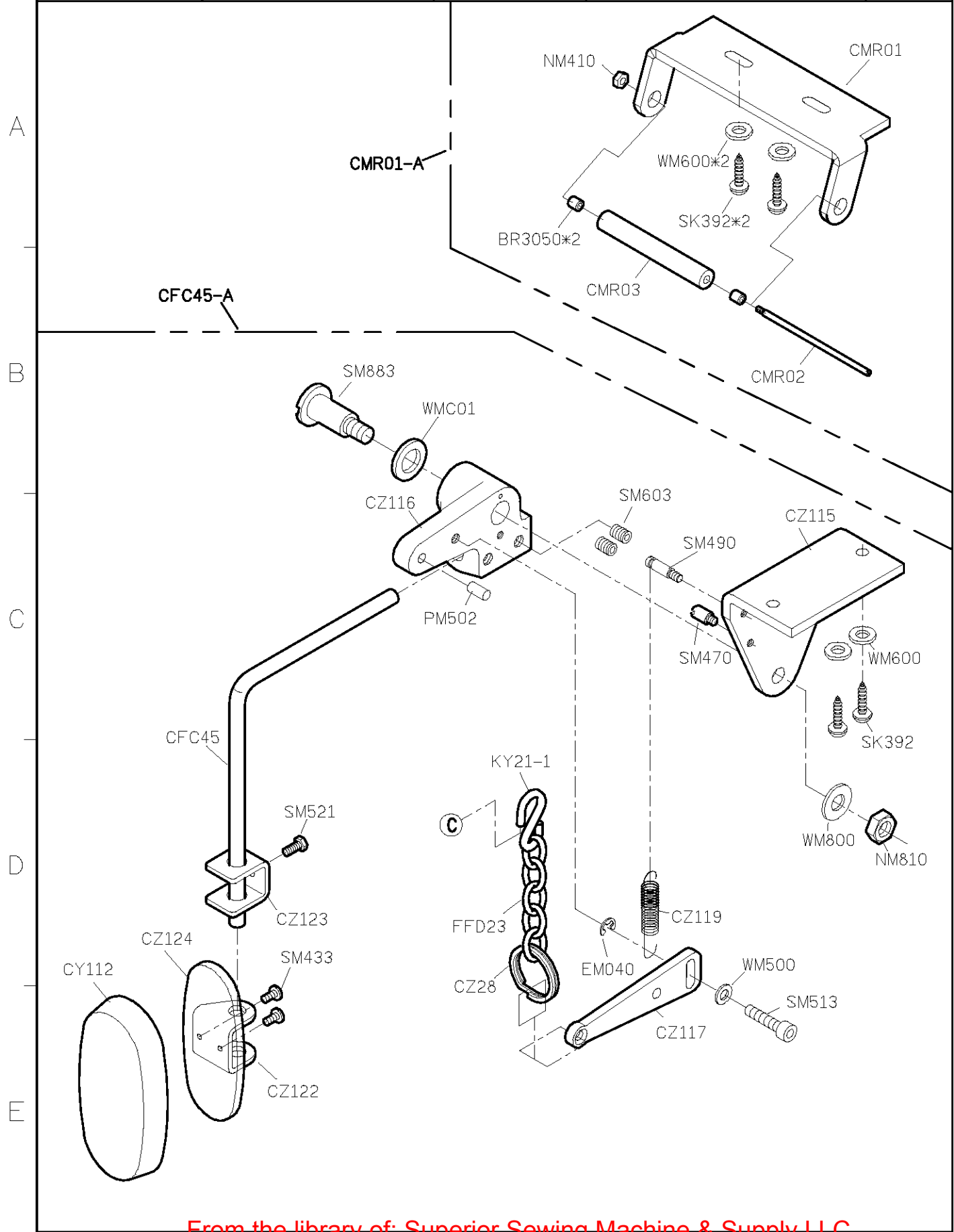
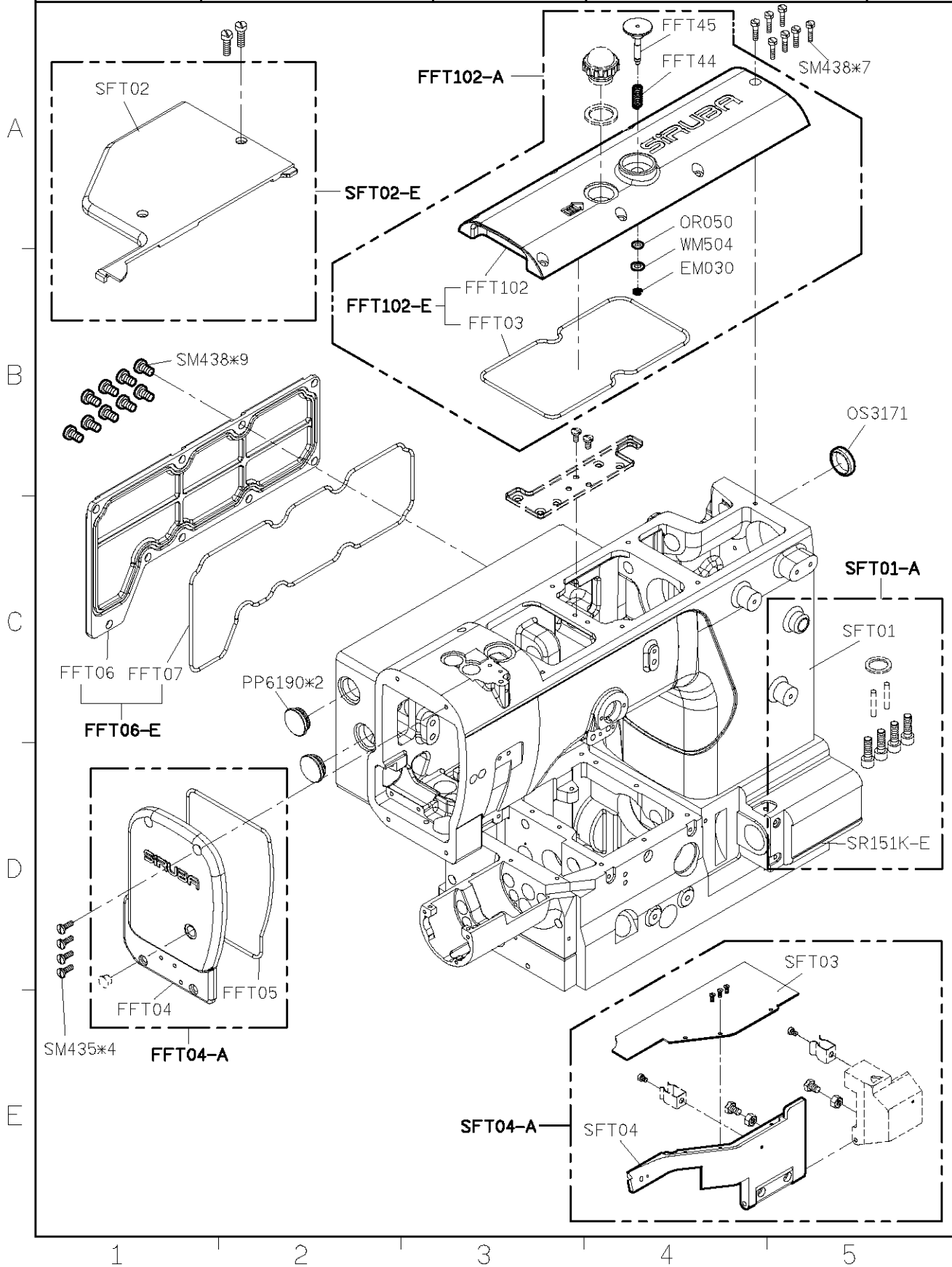


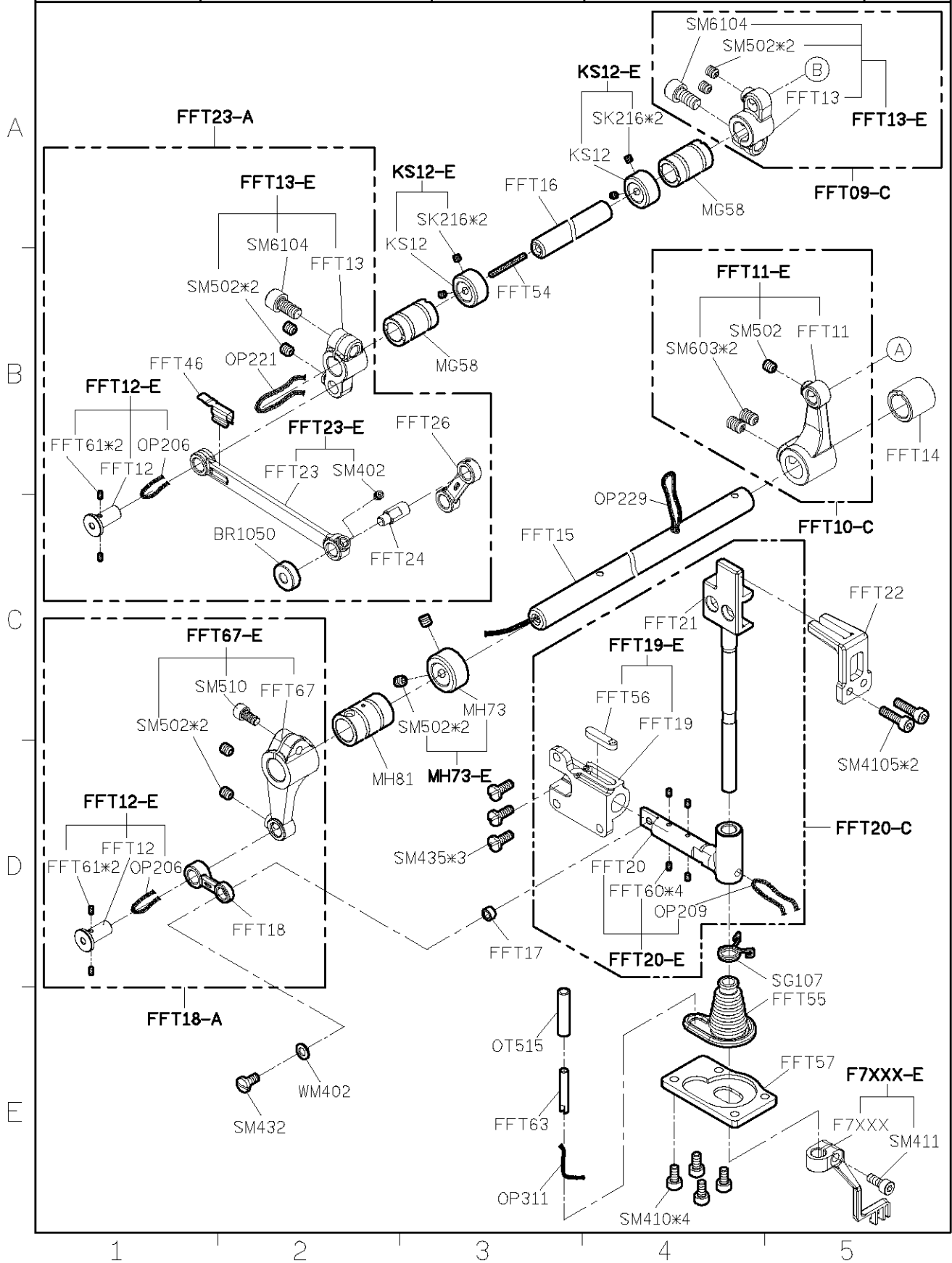
| SIRUBA PARTS LIST | Series | Parts Group | Subclass / Remark | Page |
|----------------------|--------------|-------------|-------------------|------------|
| | C007K/C007KD | CMR-K | | 1/1 |
| | C858K/C858KD | | | Date |
| | S007K/S007KD | | | 2012/11/01 |



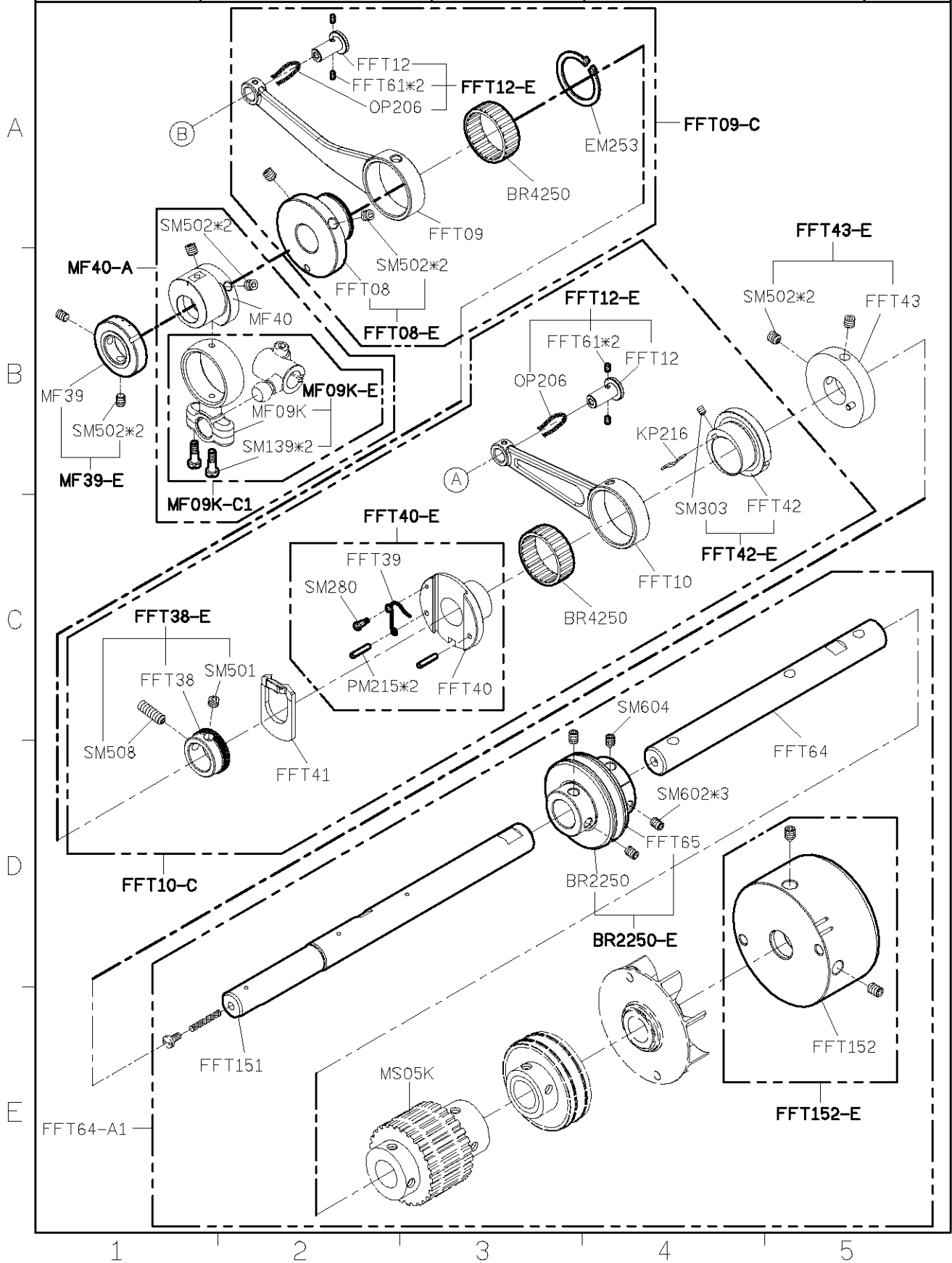
| | | | | |
|------------------------------------|---------------|--------------------|--------------------------|-------------|
| SIRUBA PARTS LIST | Series | Parts Group | Subclass / Remark | Page |
| | S007KD | FFT | | 1/7 |
| | | | | Date |
| | | | | 2013/09/02 |



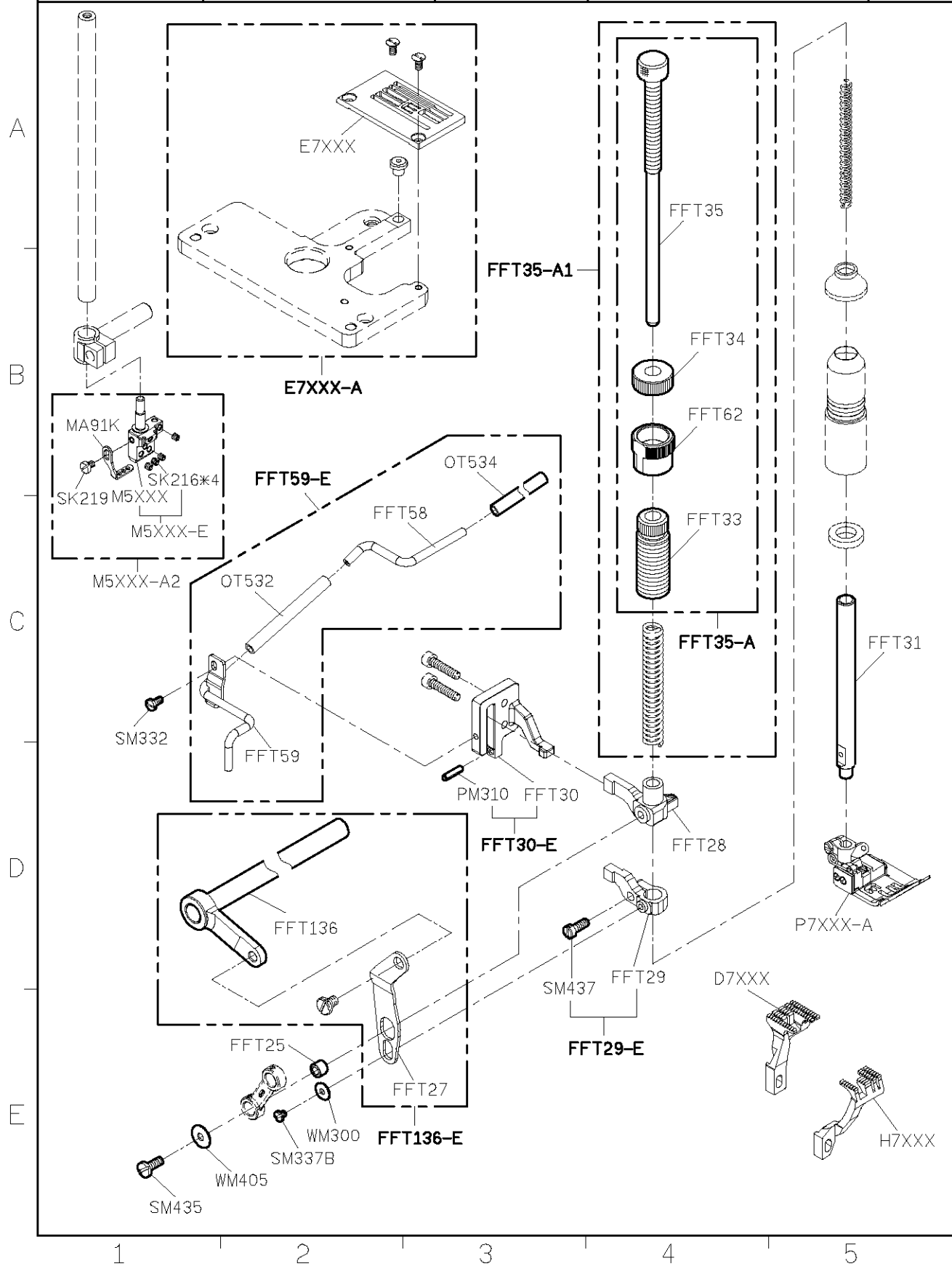
| | | | | |
|------------------------------------|---------------|--------------------|--------------------------|-------------------|
| SIRUBA PARTS LIST | Series | Parts Group | Subclass / Remark | Page |
| | S007KD | FFT | | 2/7 |
| | | | | Date |
| | | | | 2013/09/16 |



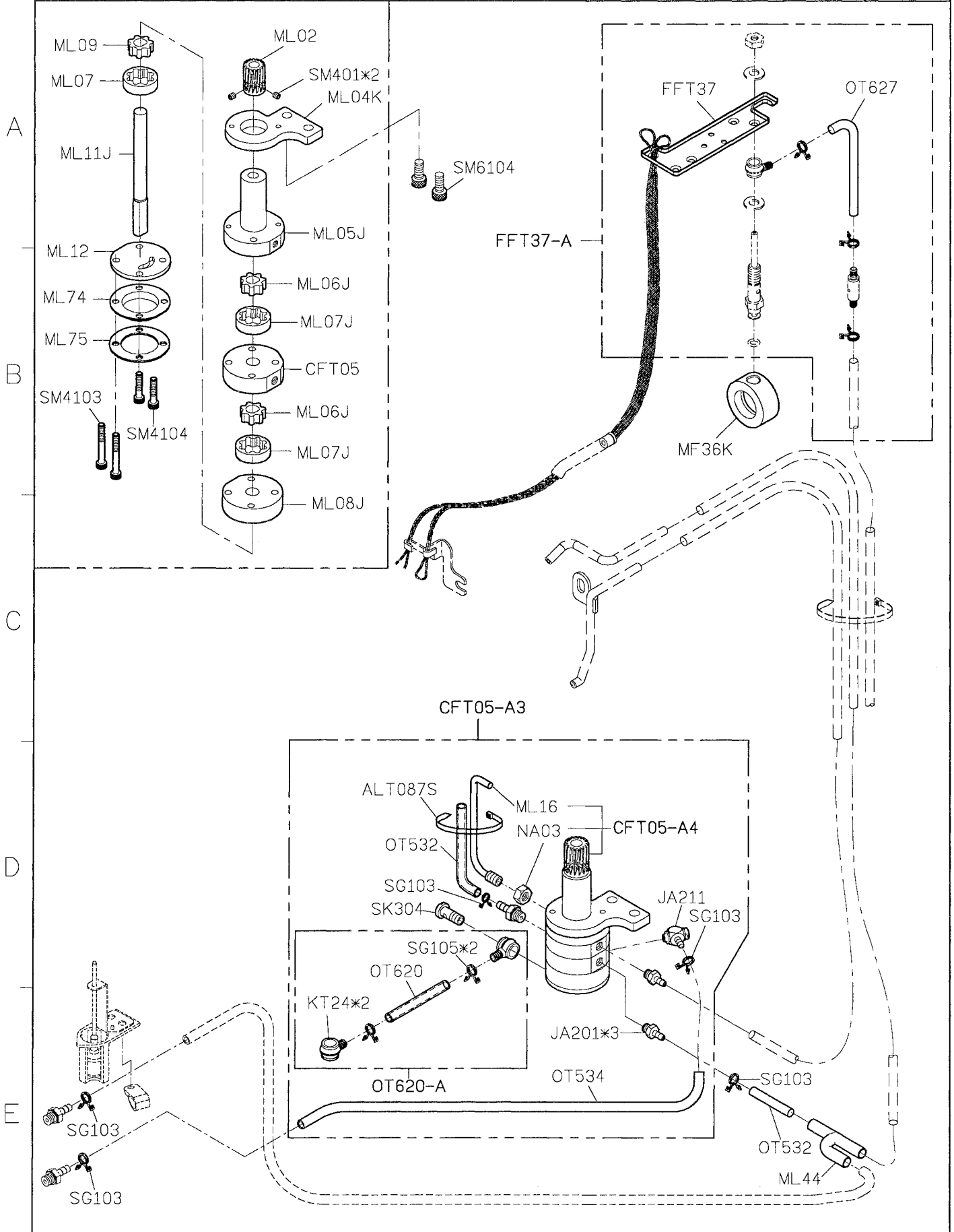
| | | | | |
|------------------------------------|---------------|--------------------|--------------------------|-------------------|
| SIRUBA PARTS LIST | Series | Parts Group | Subclass / Remark | Page |
| | S007KD | FFT | | 3/7 |
| | | | | Date |
| | | | | 2012/12/25 |



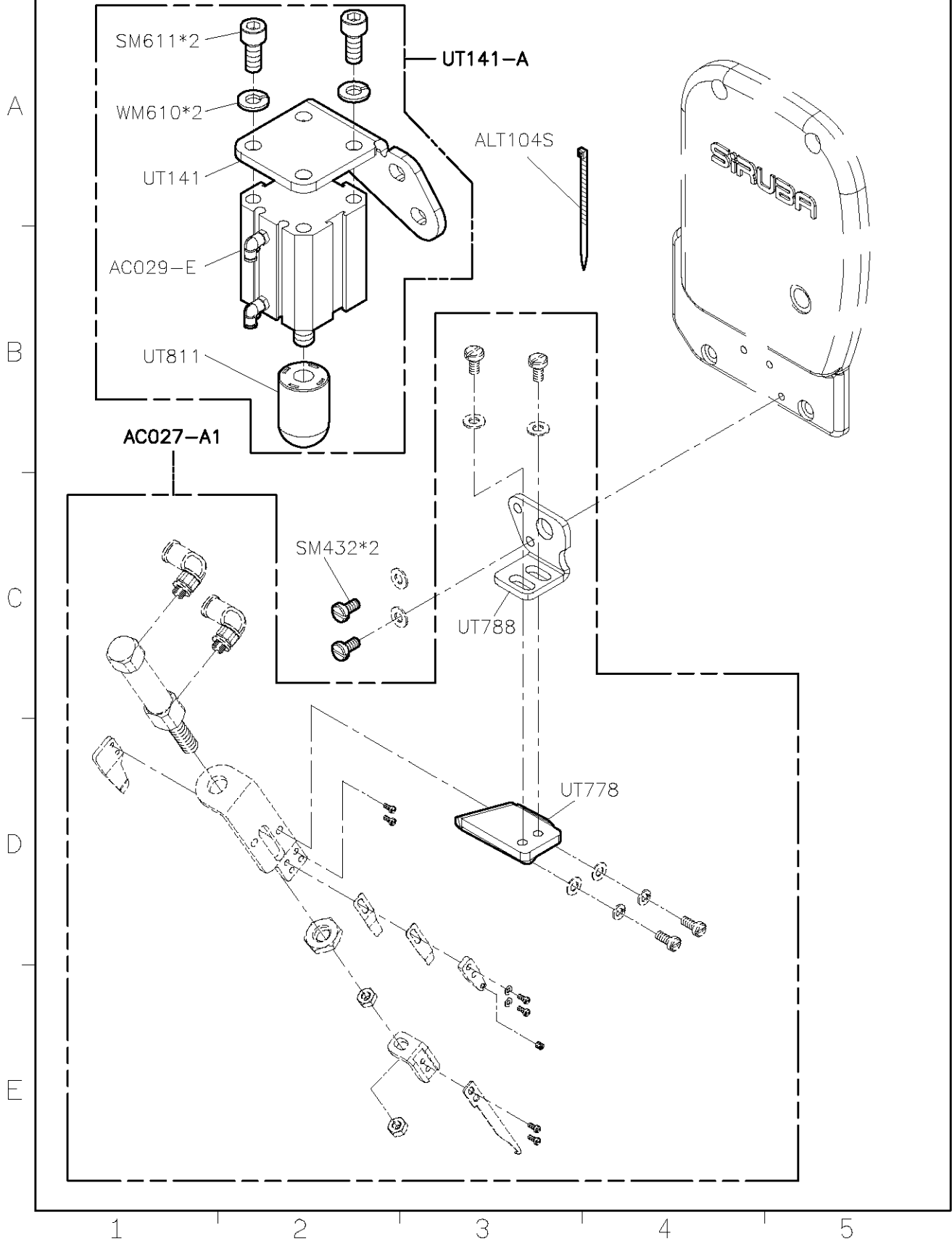
| | | | | |
|------------------------------------|---------------|--------------------|--------------------------|-------------|
| SIRUBA PARTS LIST | Series | Parts Group | Subclass / Remark | Page |
| | S007KD | FFT | | 4/7 |
| | | | | Date |
| | | | | 2013/09/14 |



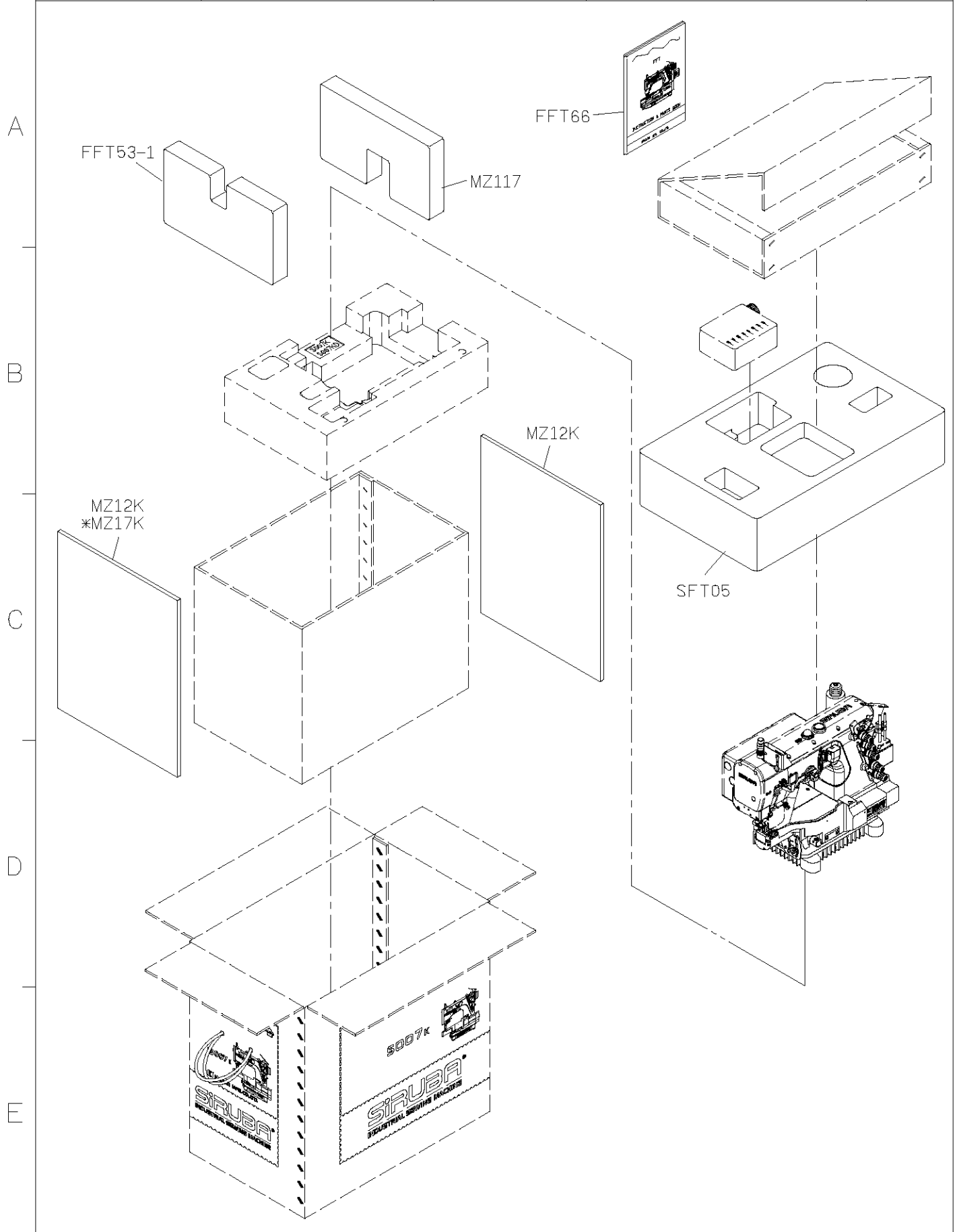
| | | | | |
|-----------------------------|--------|-------------|-------------------|------------|
| SIRUBA PARTS LIST | Series | Parts Group | Subclass / Remark | Page |
| | S007KD | FFT | | 1/7 |
| | | | | Date |
| | | | | 2015/11/24 |



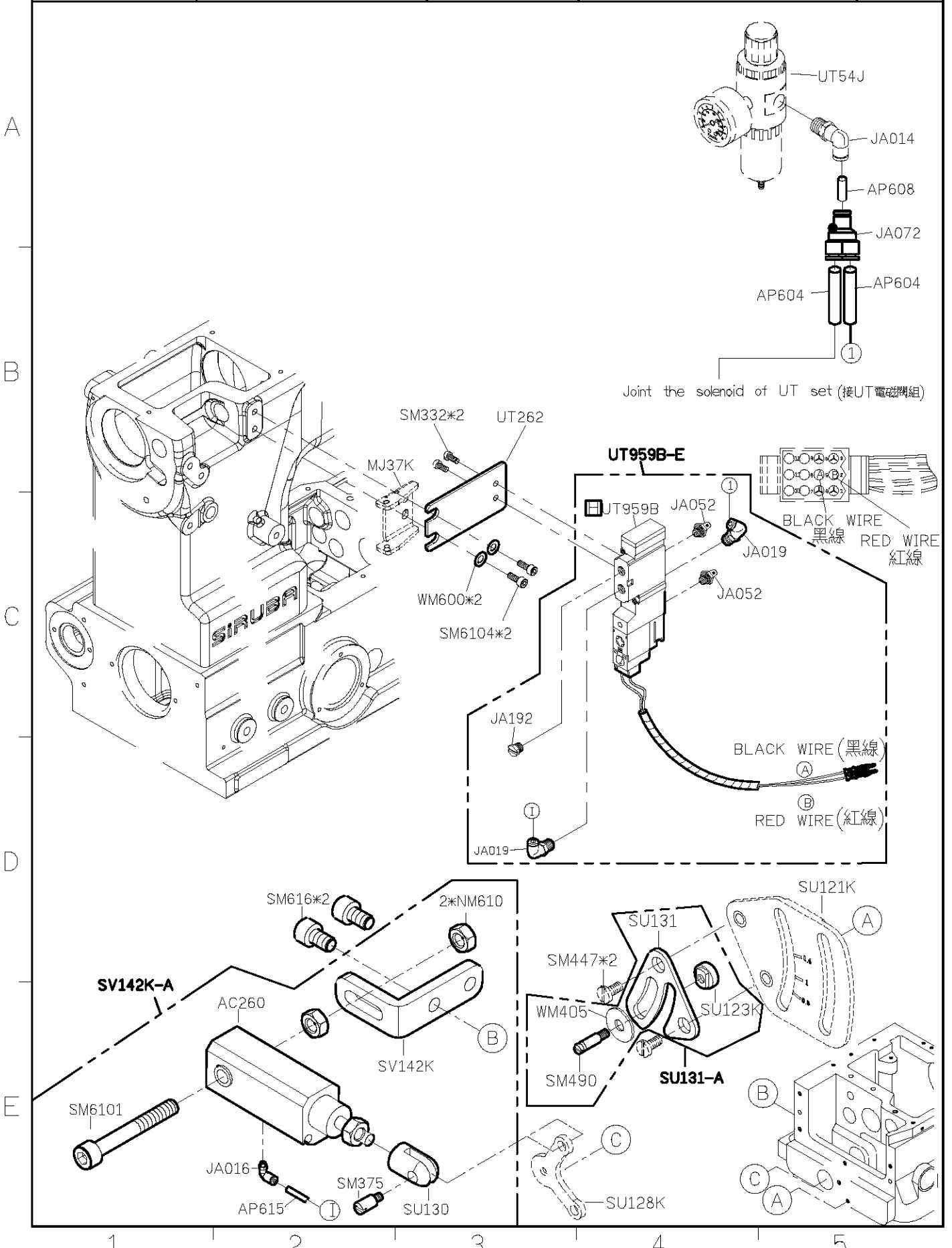
| | | | | |
|------------------------------------|---------------|--------------------|--------------------------|-------------|
| SIRUBA PARTS LIST | Series | Parts Group | Subclass / Remark | Page |
| | S007KD | FFT | Use for UT | 6/7 |
| | | | | Date |
| | | | | 2014/03/10 |



| SIRUBA PARTS LIST | Series | Parts Group | Subclass / Remark | Page |
|------------------------------------|---------------|-------------|-------------------|------------|
| | S007KD | FFT | * Use for UT | 7/7 |
| | | | | Date |
| | | | | 2012/12/25 |

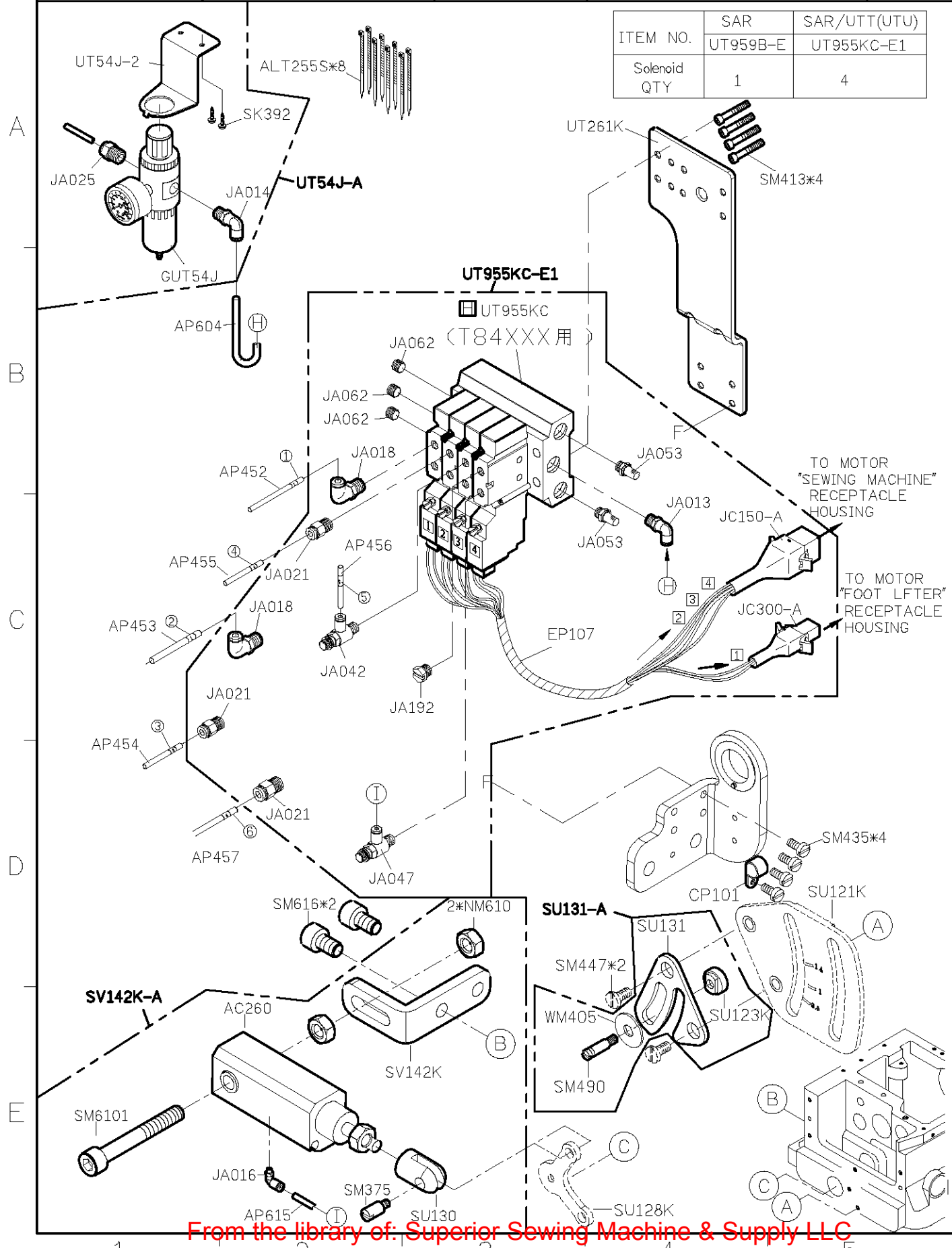


| SIRUBA PARTS LIST | Series | Parts Group | Subclass / Remark | Page |
|----------------------|--------------|-------------|--|------------|
| | S007K/S007KD | SAR | For S007K/S007KD 2 nd Generation add SAR to the type UT ☐ : Use for H brand motor (HVP-20) | 1/2 |
| | | | | Date |
| | | | | 2013/03/28 |

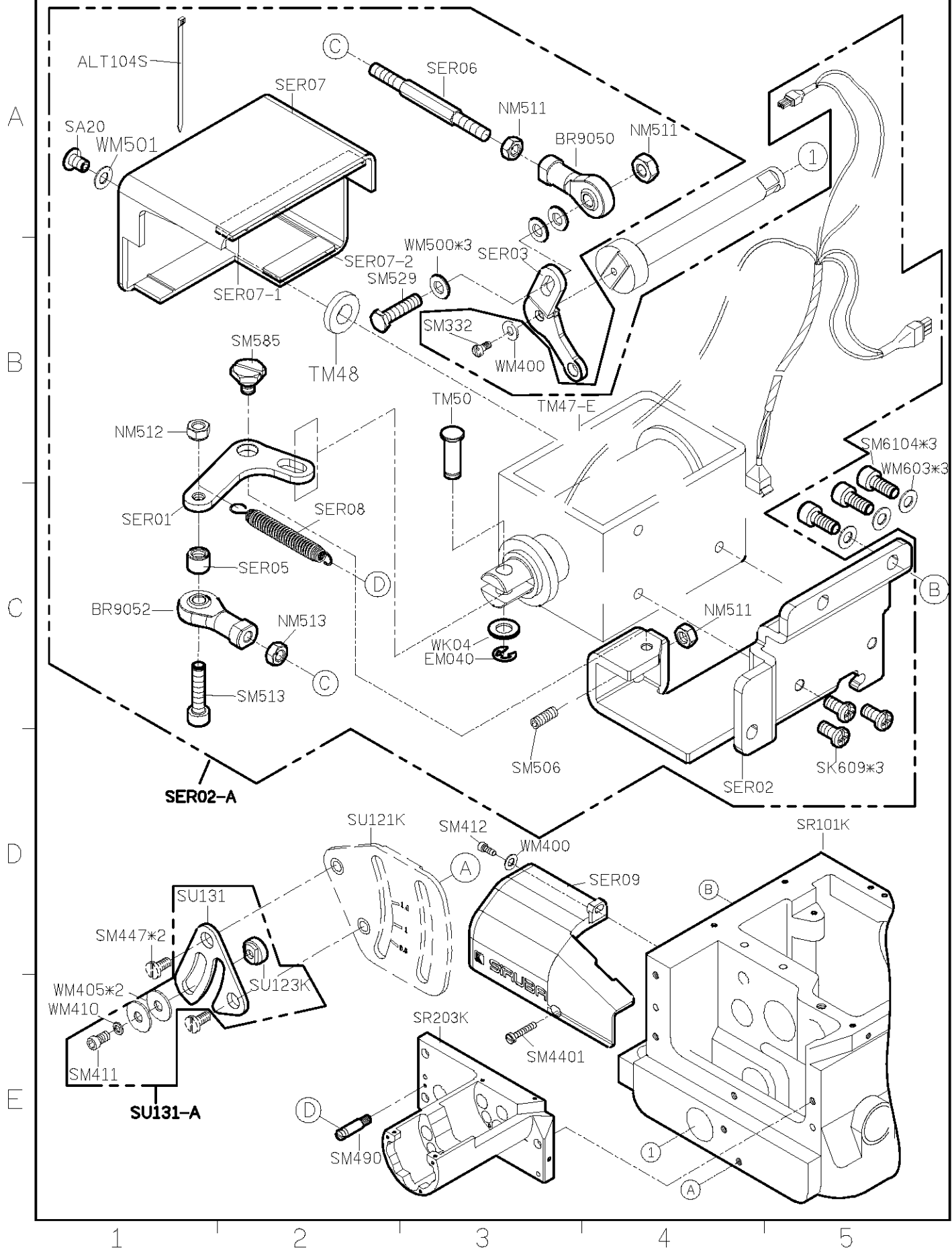


| | | | | |
|------------------------------------|---------------|--------------------|---|----------------------------------|
| SIRUBA PARTS LIST | Series | Parts Group | Subclass / Remark | Page |
| | S007K/S007KD | SAR | For S007K/S007KD 2 nd Generation -UT ☐ : Use for H brand motor (HVP-20) | 2/2 |
| | | | | Date 2012/10/31 |

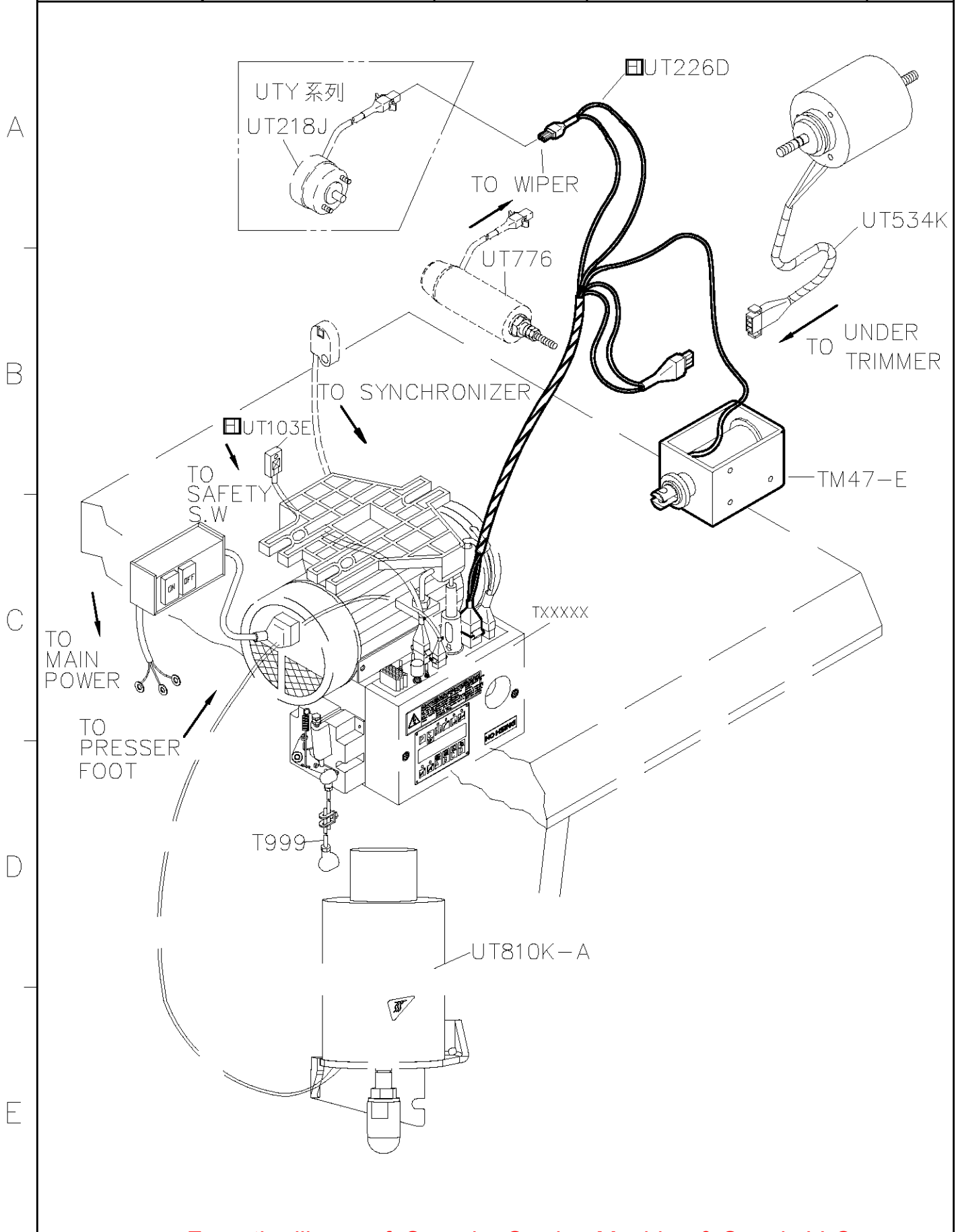
| ITEM NO. | SAR | SAR/UTT(UTU) |
|--------------|-----|--------------|
| | | UT959B-E |
| Solenoid QTY | 1 | 4 |



| SIRUBA PARTS LIST | Series | Parts Group | Subclass / Remark | Page |
|----------------------|--------------|-------------|-------------------|------------|
| | S007K/S007KD | SER | | 1/4 |
| | | | | Date |
| | | | | 2013/10/24 |



| SIRUBA PARTS LIST | Series | Parts Group | Subclass / Remark | Page |
|----------------------|--------------|-------------|-------------------|------------|
| | S007K/S007KD | SER | ☐ : Use for H牌馬達 | 2/4 |
| | | | | Date |
| | | | | 2012/10/08 |



| SIRUBA PARTS LIST | Series | Parts Group | Subclass / Remark | Page |
|----------------------|--------------|-------------|-------------------|--------------------|
| | S007K/S007KD | SER | ☐ : Use for H牌馬達 | 3/4 |
| | | | | Date 2012/10/08 |

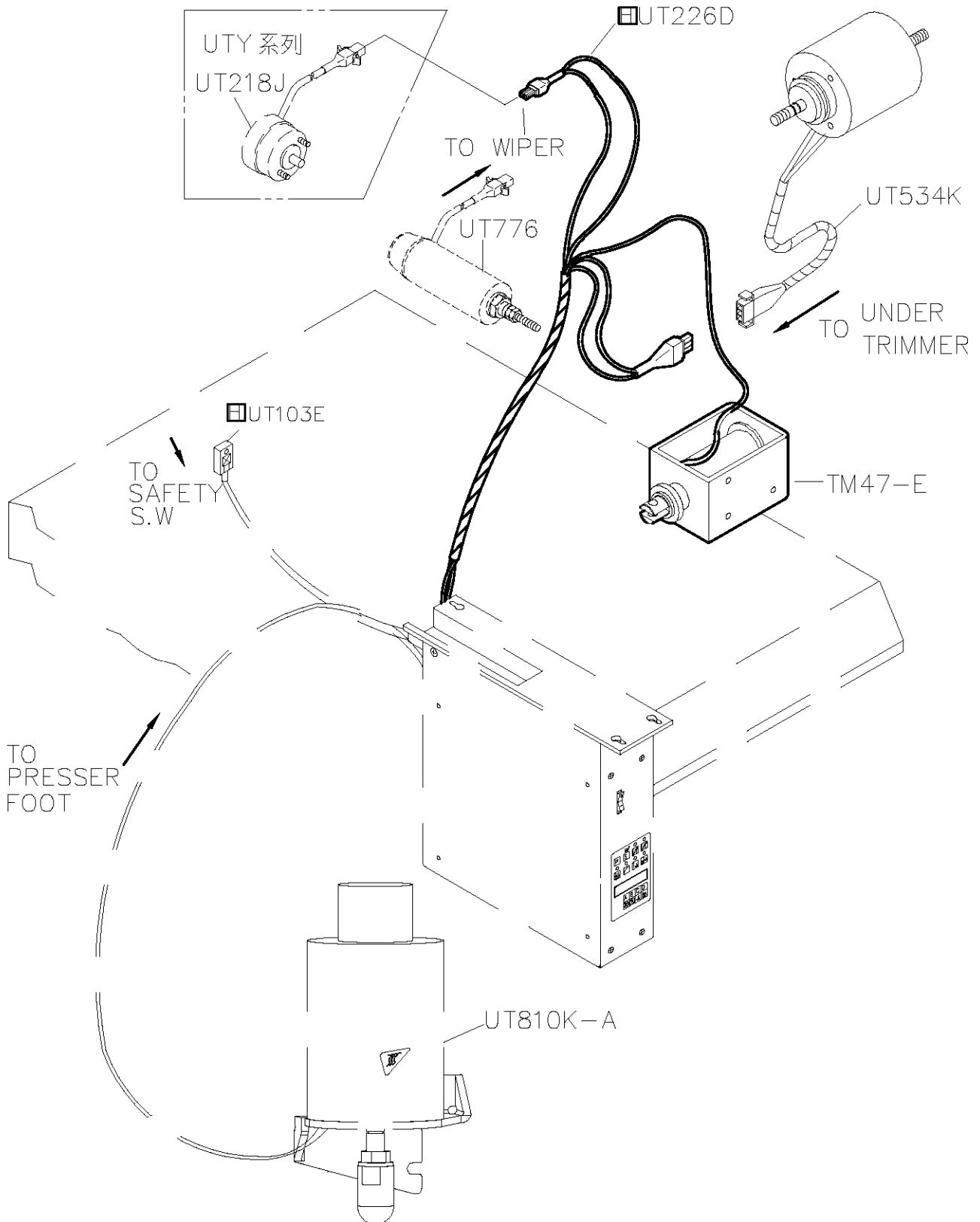
A

B

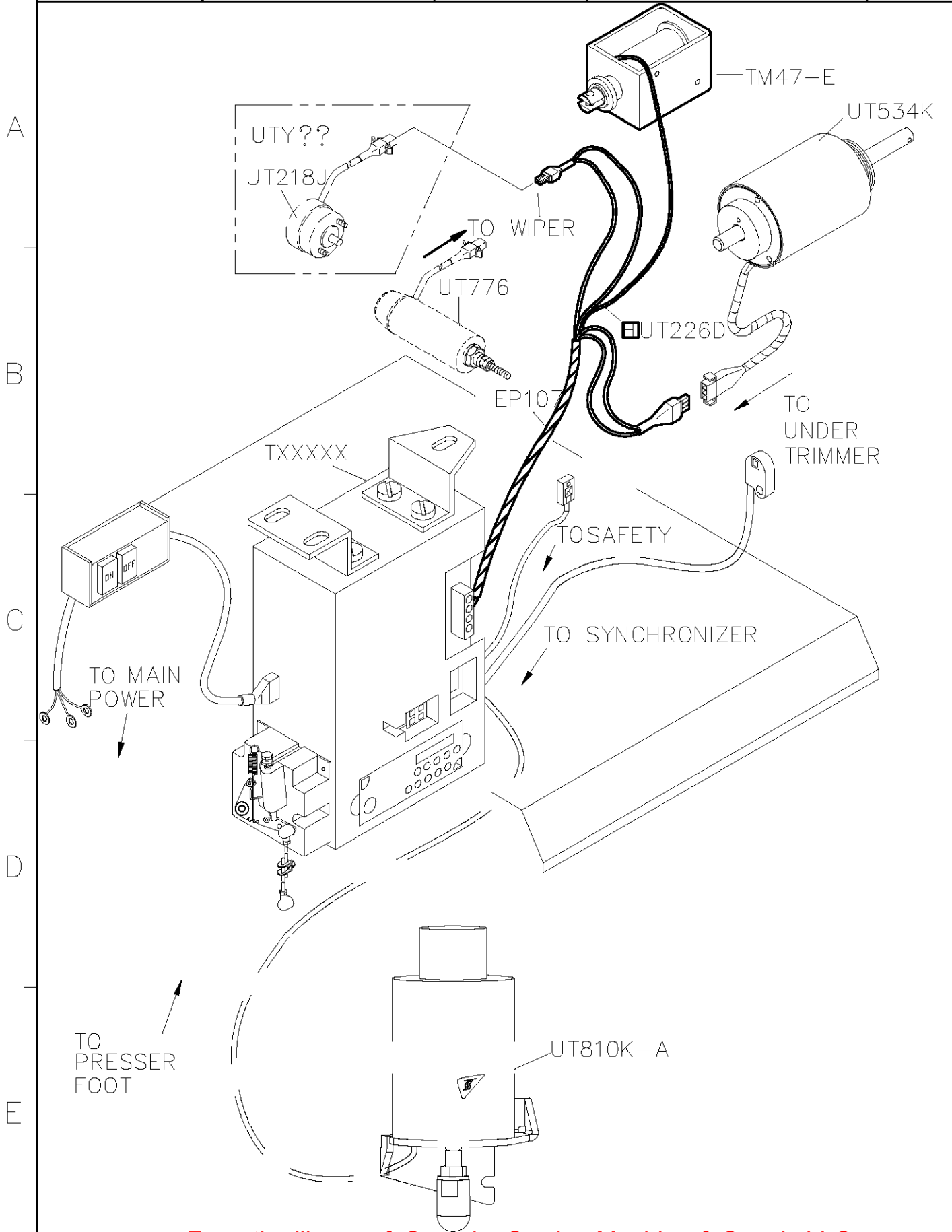
C

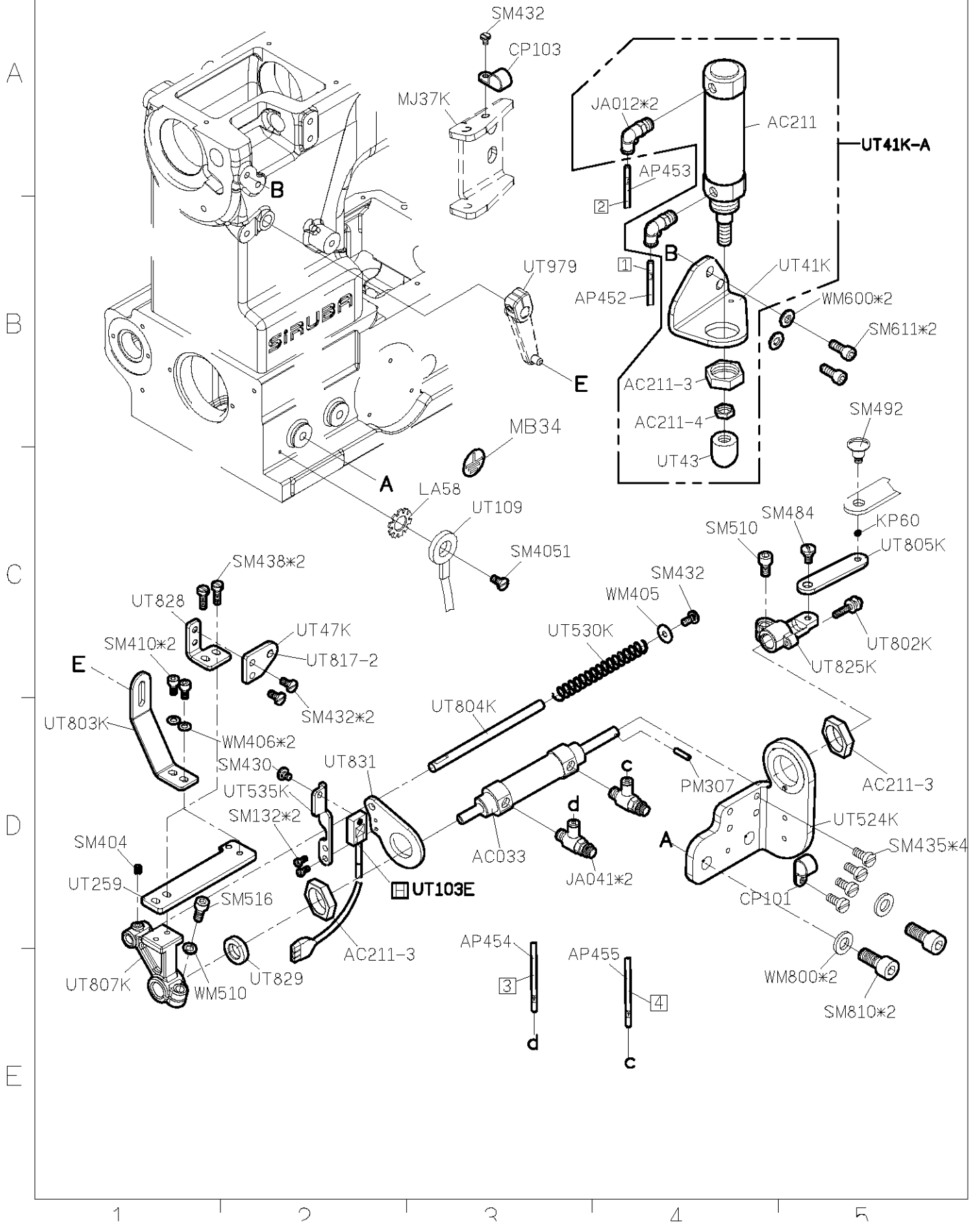
D

E

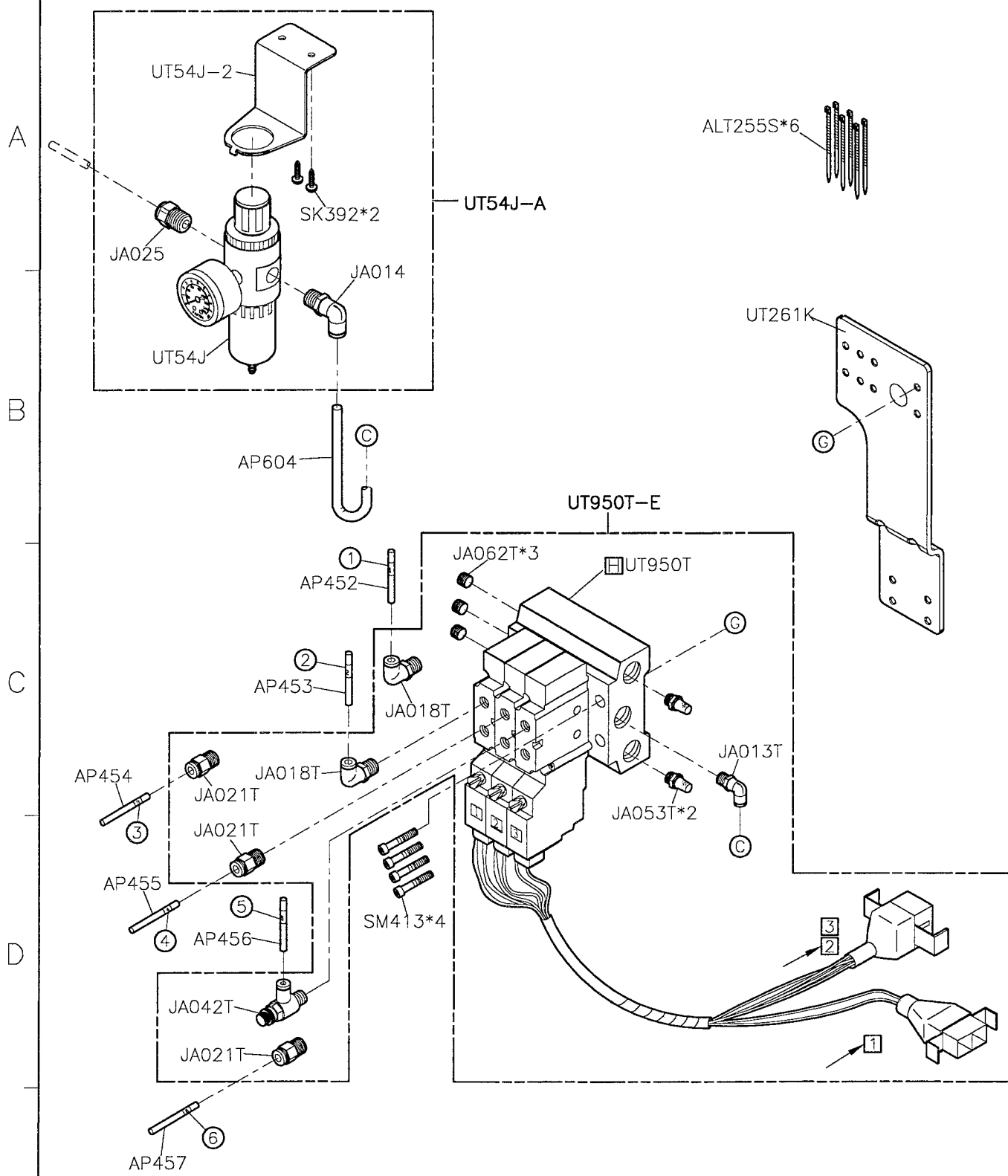


| SIRUBA PARTS LIST | Series | Parts Group | Subclass / Remark | Page |
|----------------------|--------------|-------------|-------------------|------------|
| | S007K/S007KD | SER | ☐ : Use for H牌馬達 | 4/4 |
| | | | | Date |
| | | | | 2012/10/08 |





| | | | | |
|-----------------------------|--------------|-------------|--|------------|
| SIRUBA PARTS LIST | Series | Parts Group | Subclass / Remark | Page |
| | S007K/S007KD | UTT(UTU)-K | For S007K/S007KD 2 nd Generation [H] : Use for H brand motor | 3/11 |
| | | | | Date |
| | | | | 2015/09/14 |



- 1 LIFT PRESSER FOOT
- 2 LOOP TRIMMER
- 3 TOP CUTTER (WIPER)

| SIRUBA | Series | Parts Group | Subclass / Remark | Page |
|--------|------------|--------------|-------------------|------------|
| | PARTS LIST | S007K/S007KD | UTT(UTU)-K | For S007K |
| | | | | Date |
| | | | | 2013/08/06 |

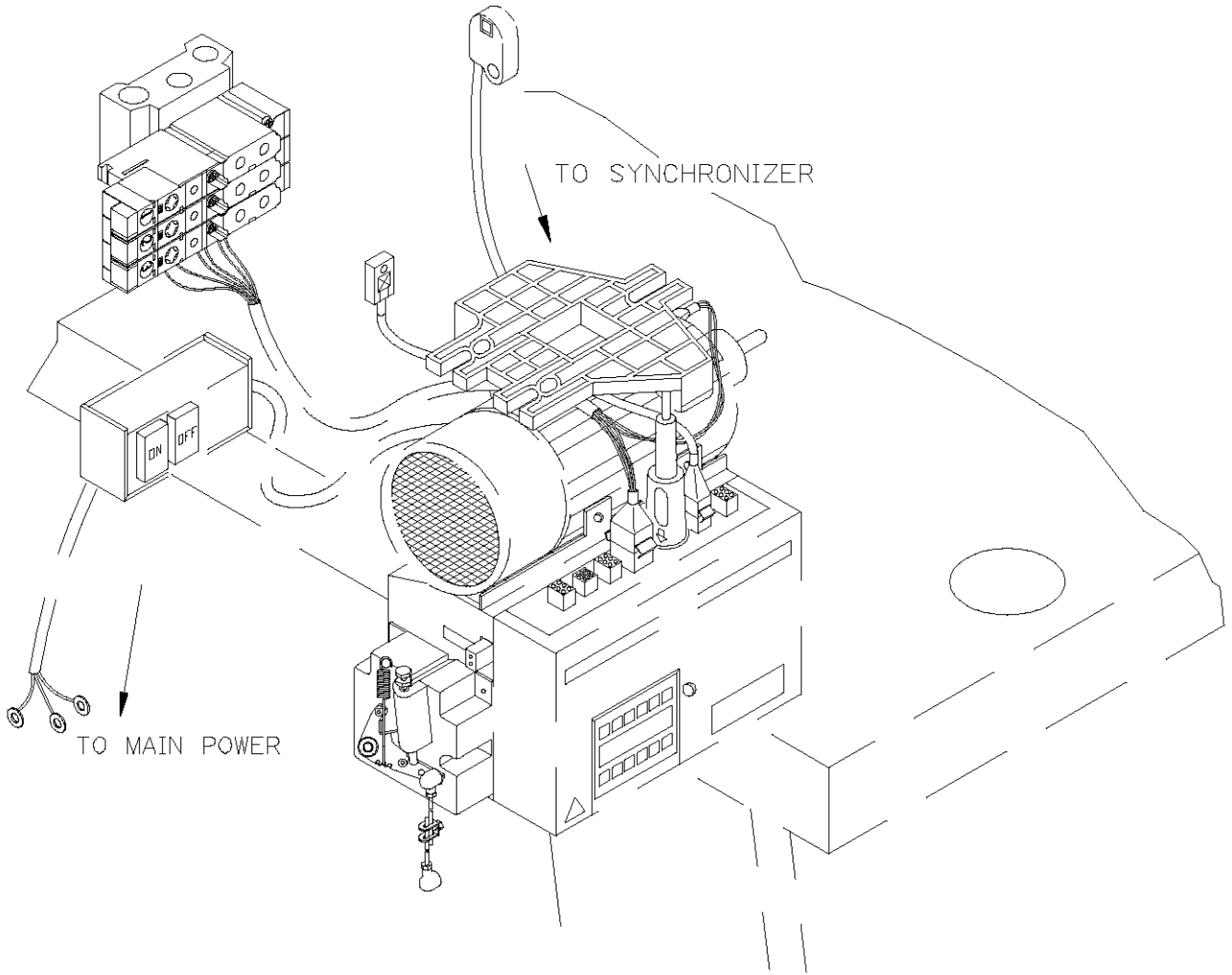
A

B

C

D

E



1

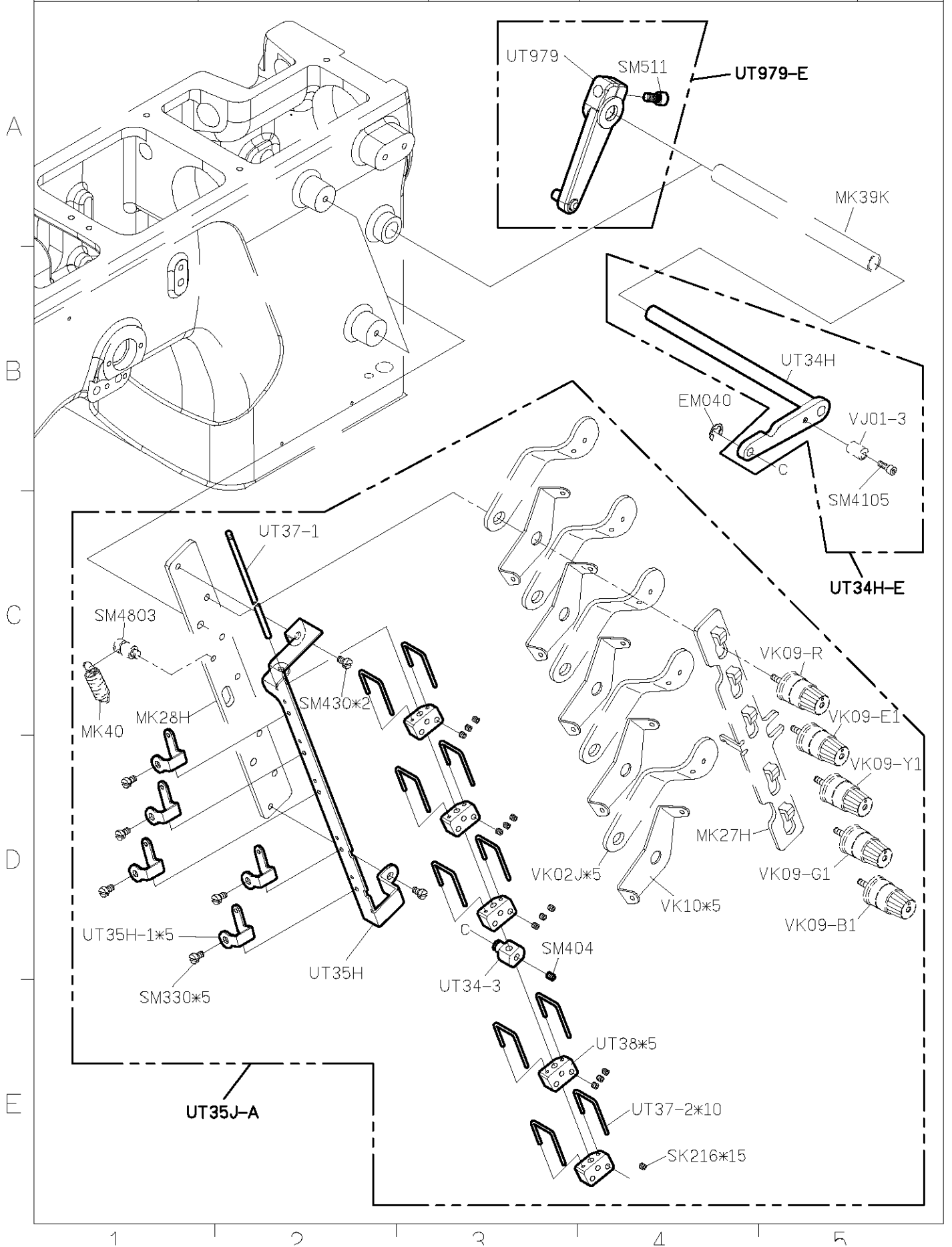
2

3

4

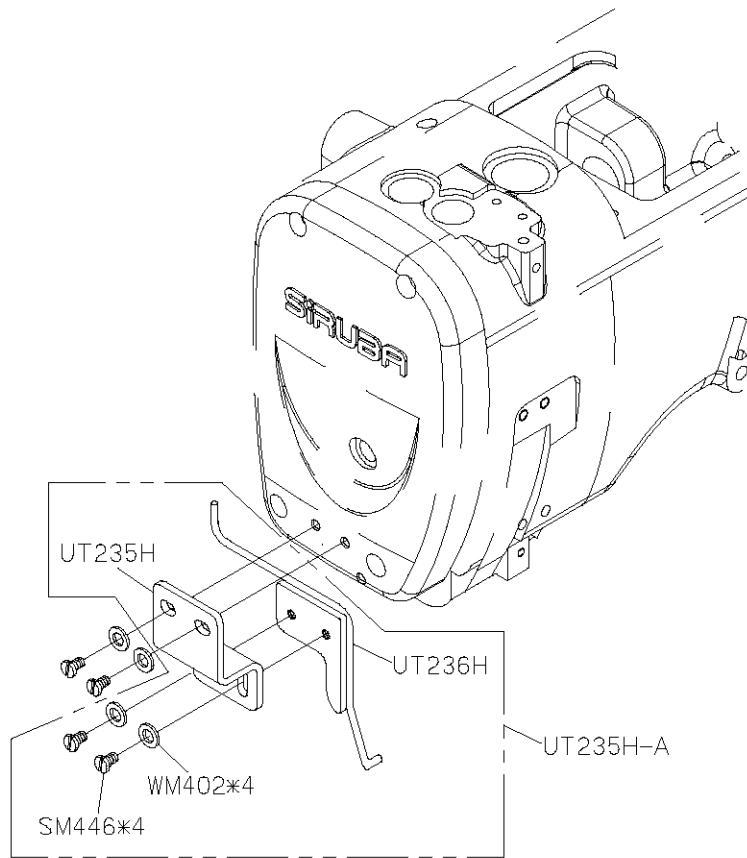
5

| SIRUBA | Series | Parts Group | Subclass / Remark | Page |
|--------|------------|--------------|-------------------|---|
| | PARTS LIST | S007K/S007KD | UTT(UTU)-K | For S007K/S007KD 2 nd Generation |
| | | | | Date |
| | | | | 2013/10/16 |

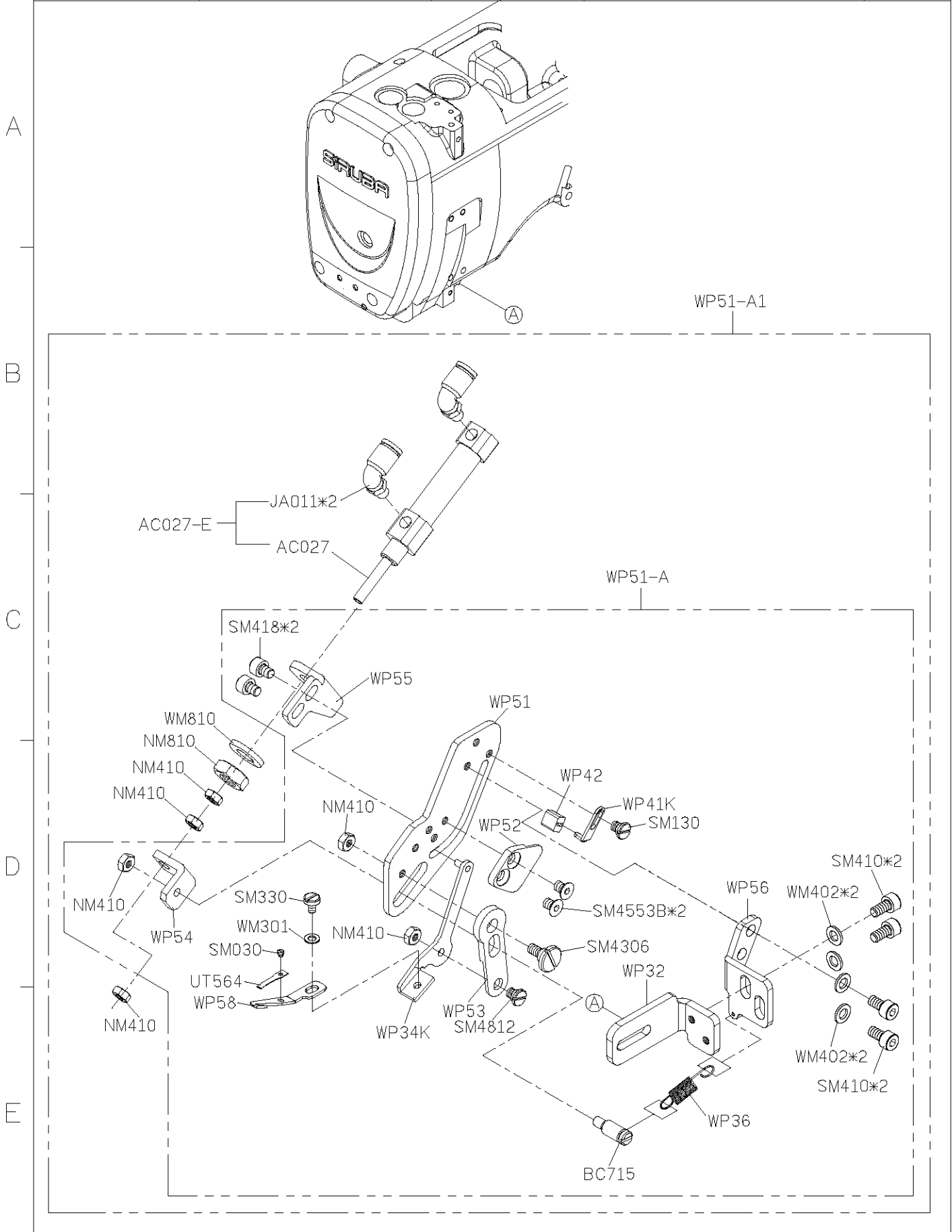


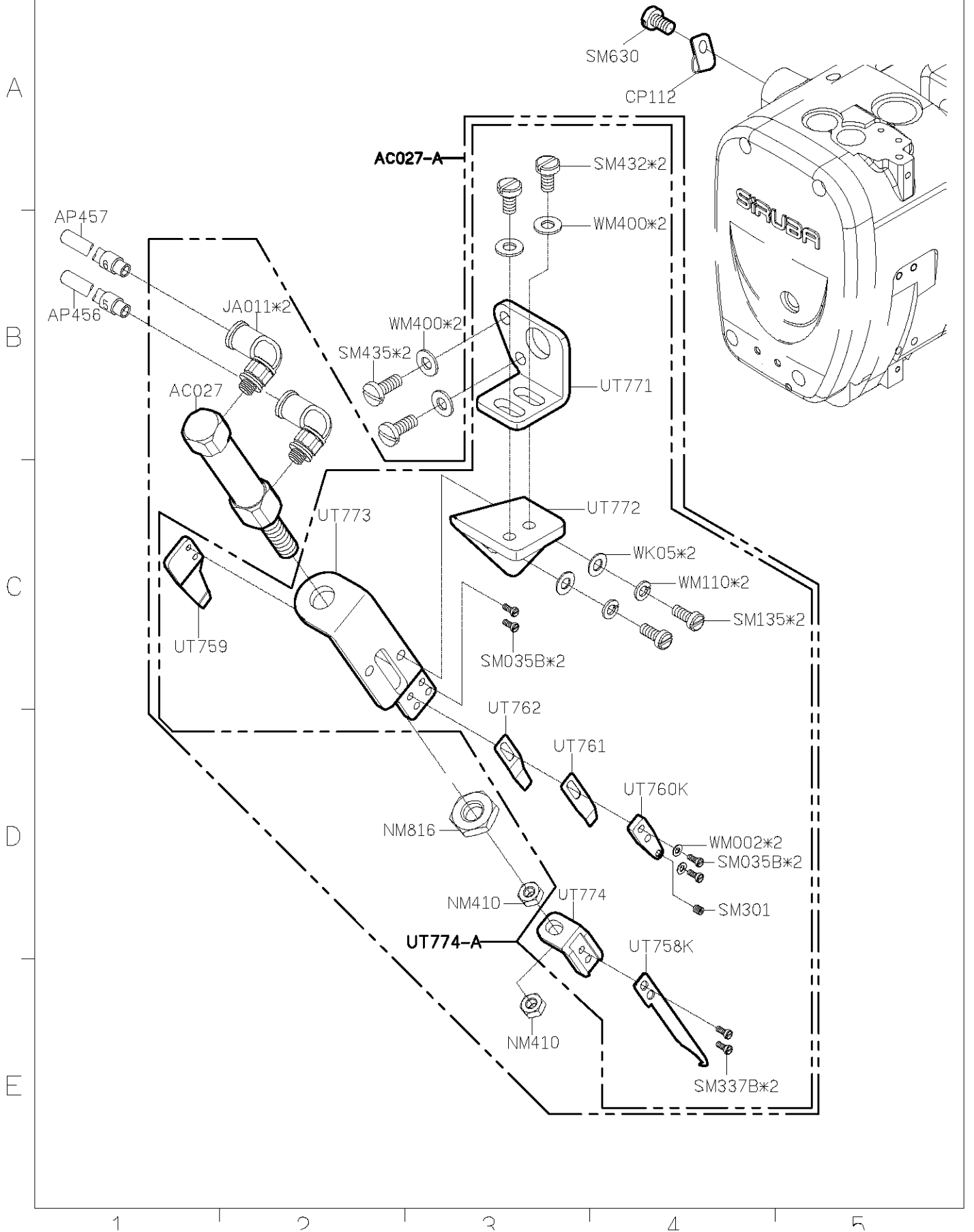
| | | | | |
|---------------------------------|--------------|-------------|-------------------|------------|
| SIRUBA PARTS LIST | Series | Parts Group | Subclass / Remark | Page |
| | S007K/S007KD | UTU-K | | 6/11 |
| | | | | Date |
| | | | | 2013/08/06 |

FOR LEFT SIDE

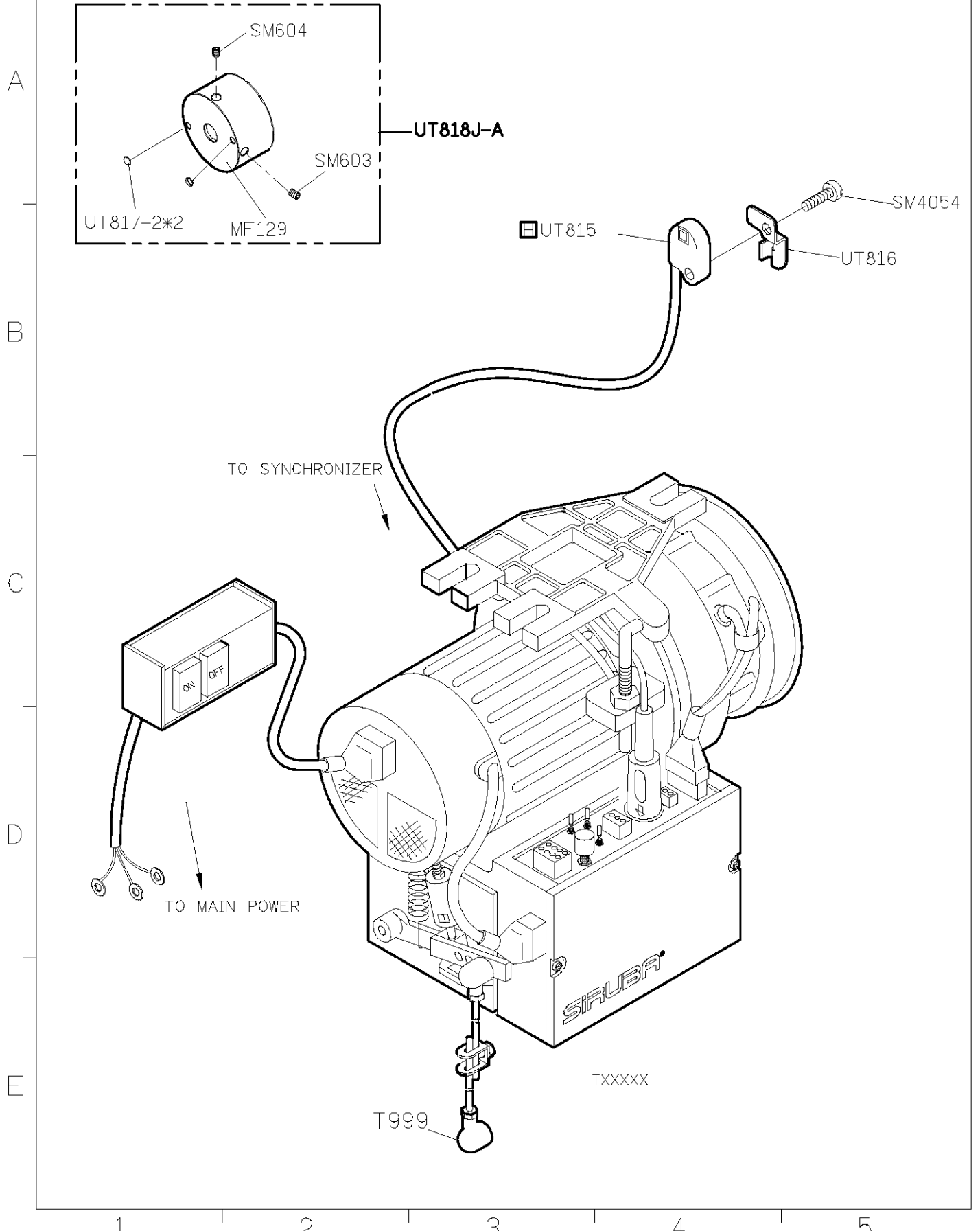


| SIRUBA PARTS LIST | Series | Parts Group | Subclass / Remark | Page |
|----------------------|--------------|-------------|-------------------|------------|
| | S007K/S007KD | UTU-K1 | For allocation | 7/11 |
| | | | | Date |
| | | | | 2015/01/05 |

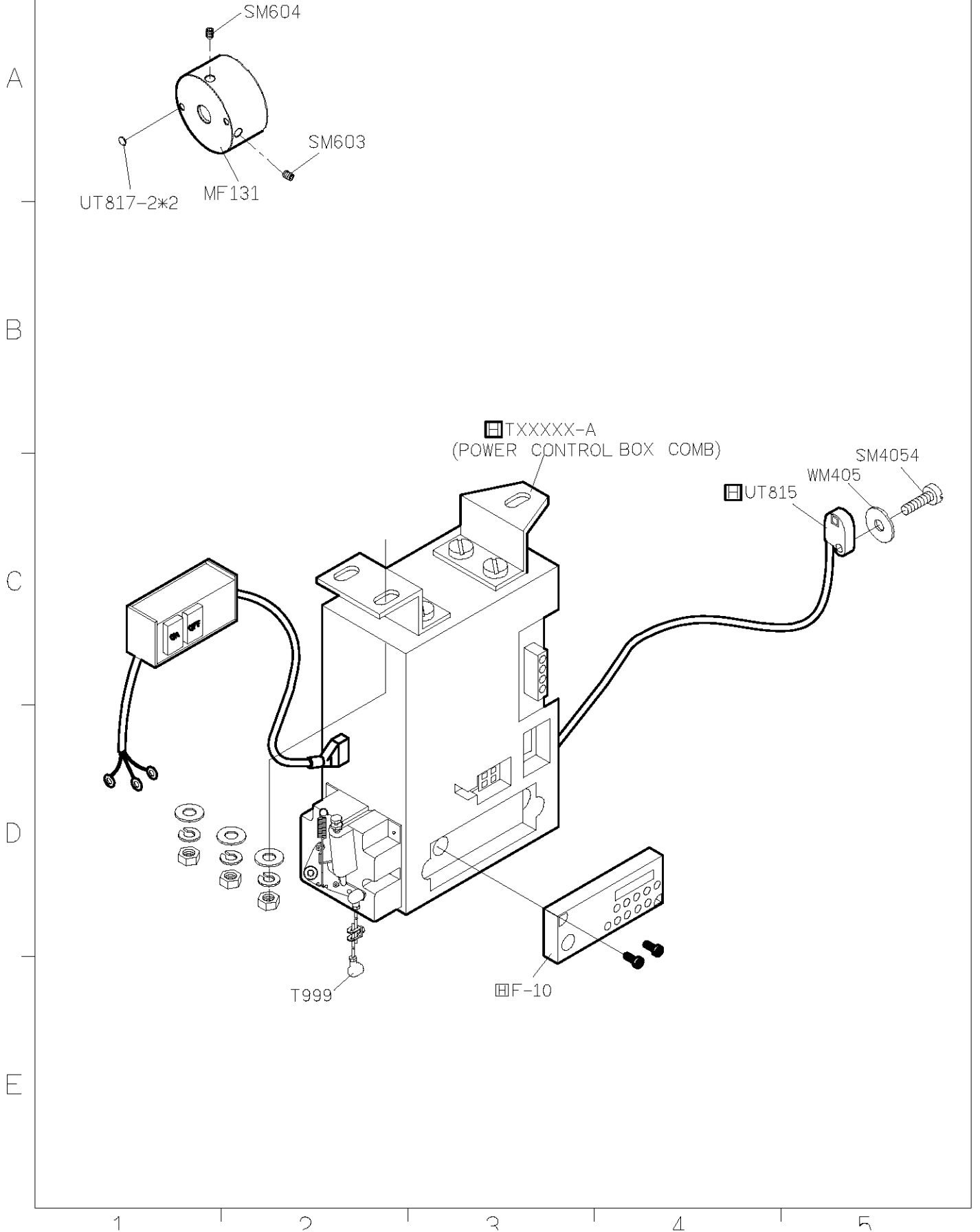




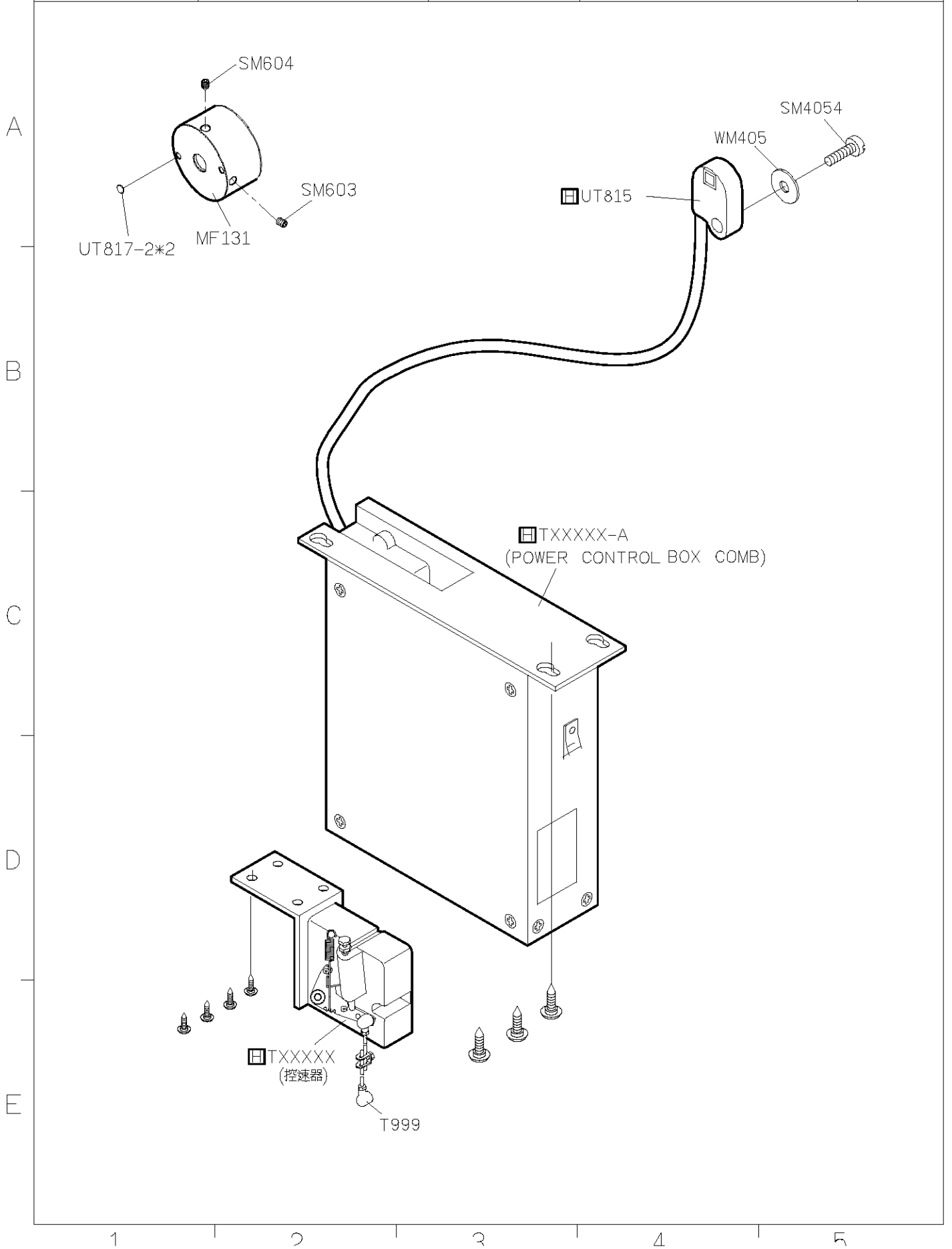
| SIRUBA PARTS LIST | Series | Parts Group | Subclass / Remark | Page |
|----------------------|--------------|-------------|--|----------------------------|
| | S007K/S007KD | UTT(UTU)-K | For S007K ☐ : Use for H brand motor | 9/11 Date 2013/08/08 |



| SIRUBA | Series | Parts Group | Subclass / Remark | Page |
|--------|------------|---------------------|-------------------|--|
| | PARTS LIST | S007K/S007KD | UTT(UTU)-K | For S007KD ☐ : Use for H brand motor (HVP-20) |



| SIRUBA PARTS LIST | Series | Parts Group | Subclass / Remark | Page |
|----------------------|---------------------|-------------|------------------------------------|-------|
| | S007K/S007KD | UTT(UTU)-K | For S007KD | 11/11 |
| | | | ☐ : Use for H brand motor (HVP-70) | Date |
| | | | 2013/08/06 | |



SIRUBA

Series

Parts Group

Subclass / Remark

Page

PARTS LIST

S007K/S007KD UTX(UTY)-K

1/12

Date

2014/03/08

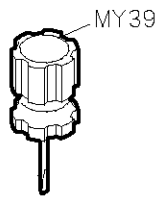
A

B

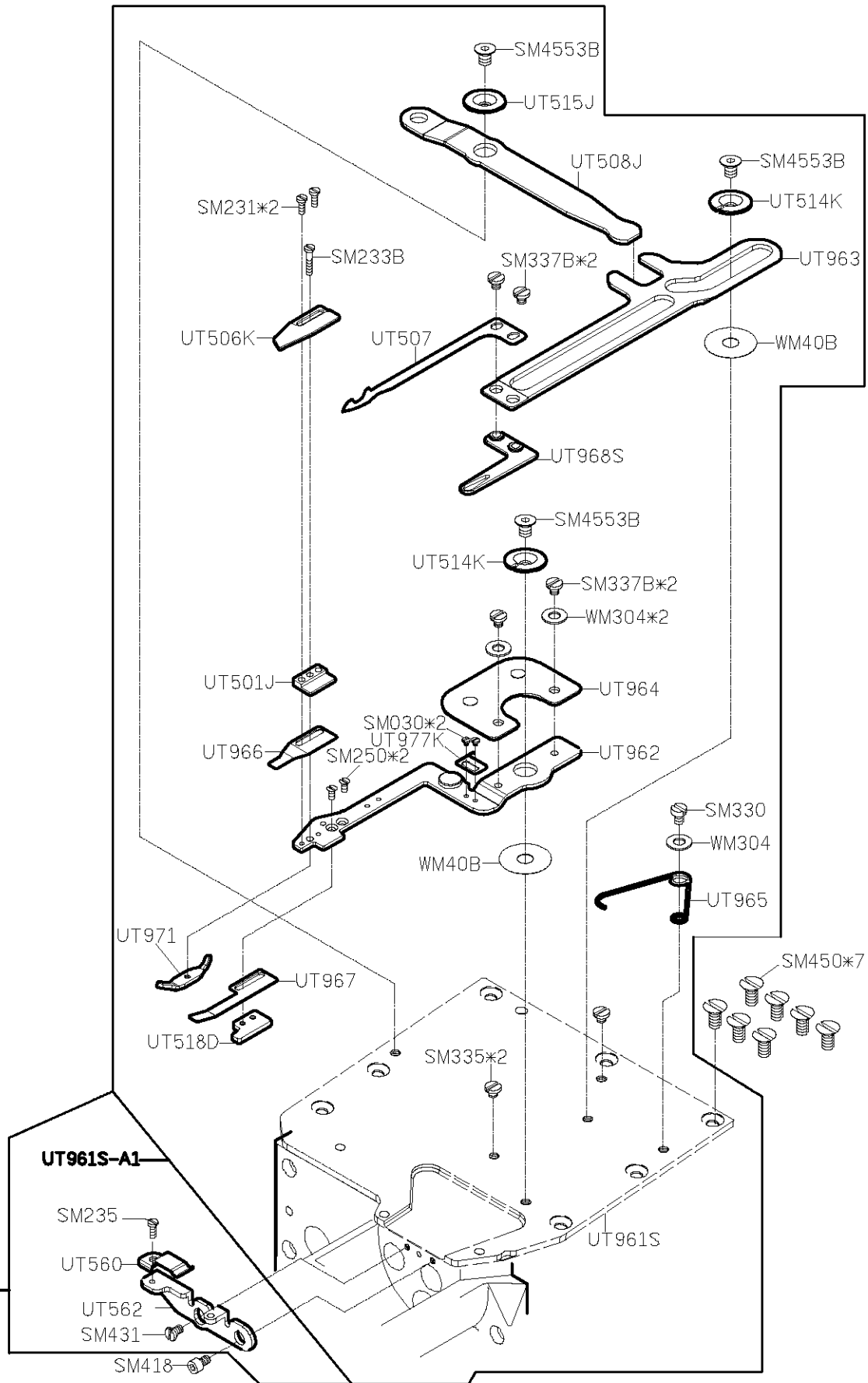
C

D

E

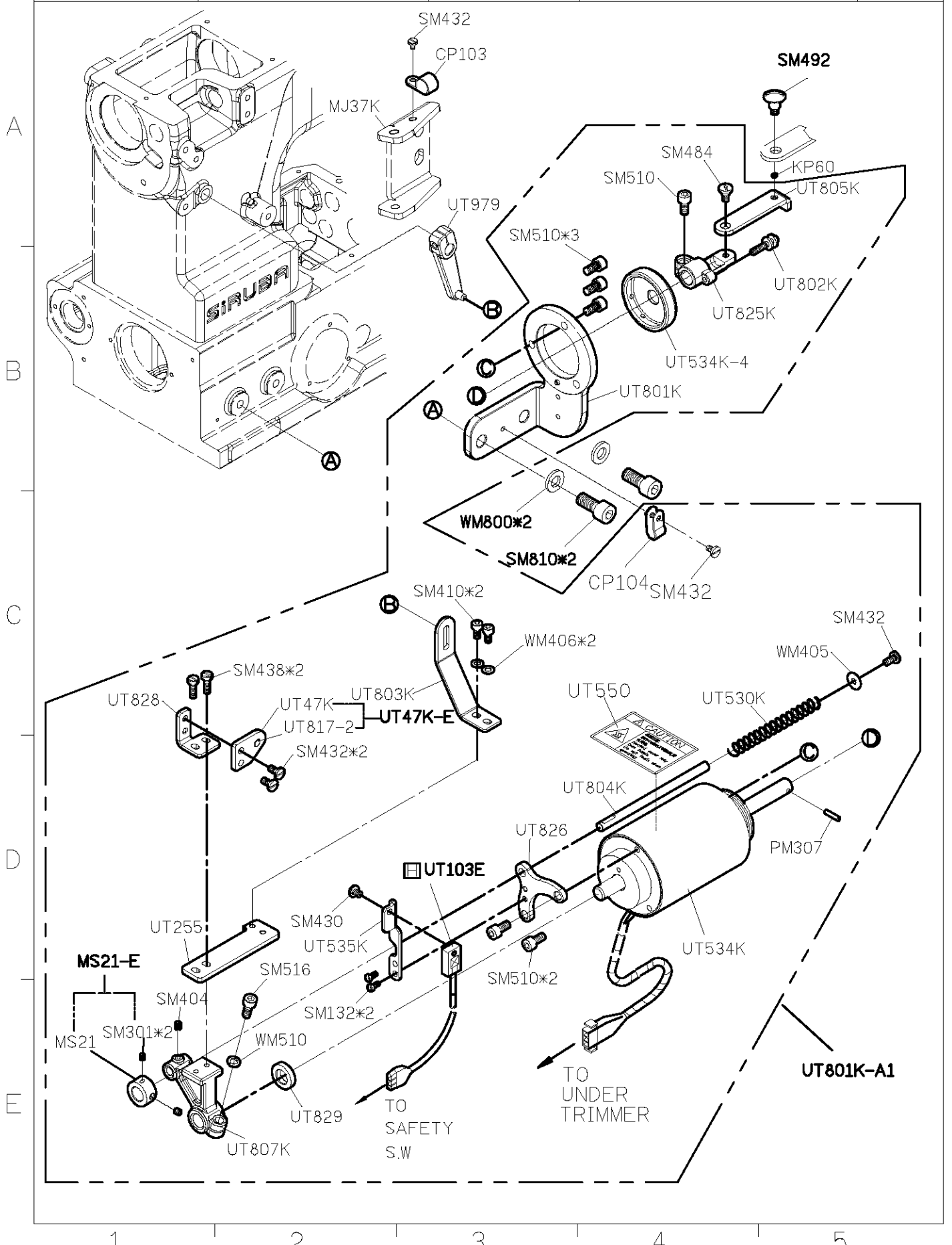


MY39

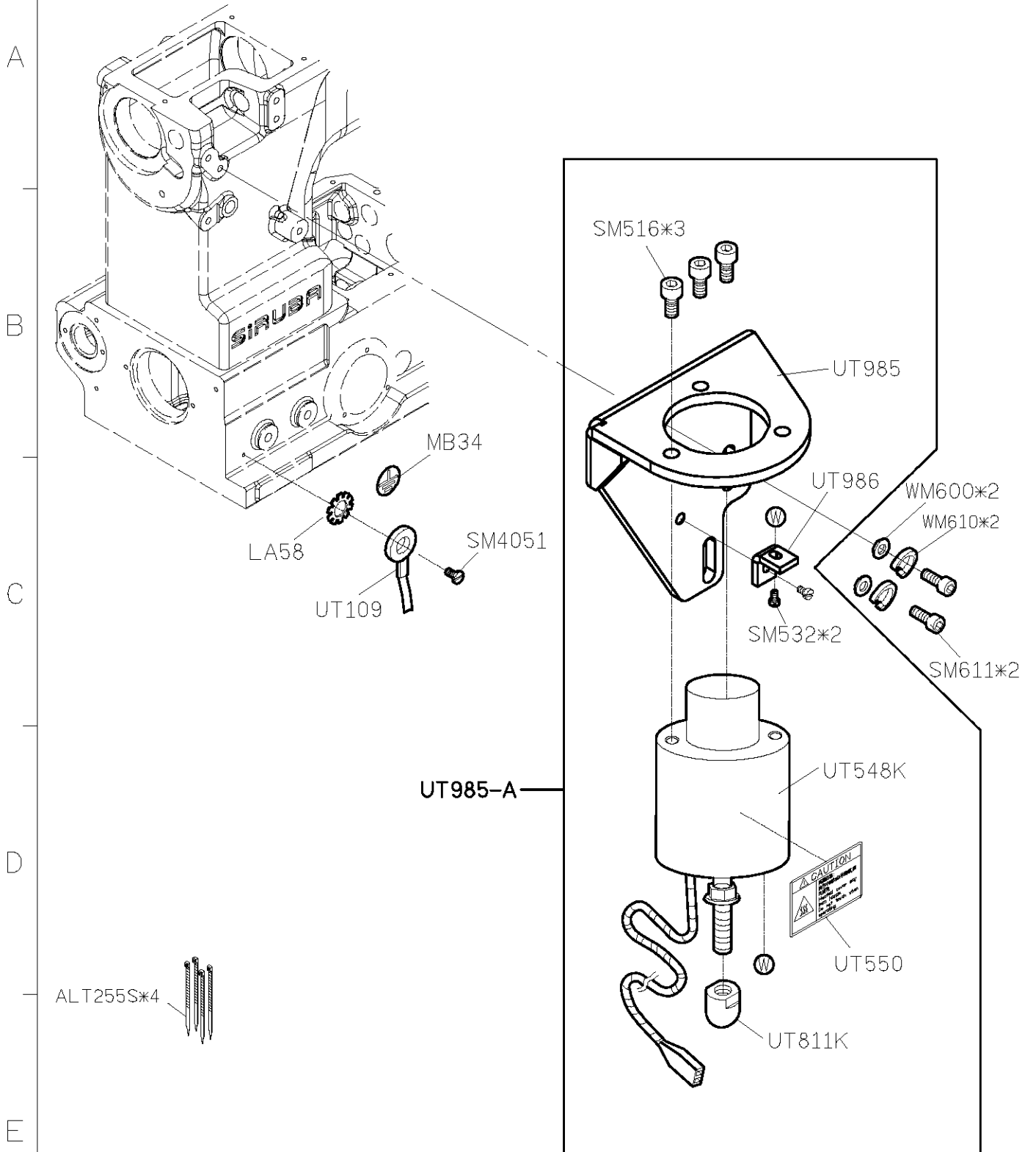


1 2 3 4 5

| SIRUBA PARTS LIST | Series | Parts Group | Subclass / Remark | Page |
|----------------------|--------------|-------------|--|----------------------------|
| | S007K/S007KD | UTX(UTY)-K | For S007K/S007KD 2 nd Generation ☐ : Use for H brand motor | 2/12 Date 2014/05/20 |



| SIRUBA PARTS LIST | Series | Parts Group | Subclass / Remark | Page |
|----------------------|--------------|-------------|---|------------|
| | S007K/S007KD | UTX(UTY)-K | For S007K/S007KD 2 nd Generation | 3/12 |
| | | | | Date |
| | | | | 2014/05/19 |



SIRUBA

PARTS LIST

Series

Parts Group

Subclass / Remark

Page

S007K/S007KD

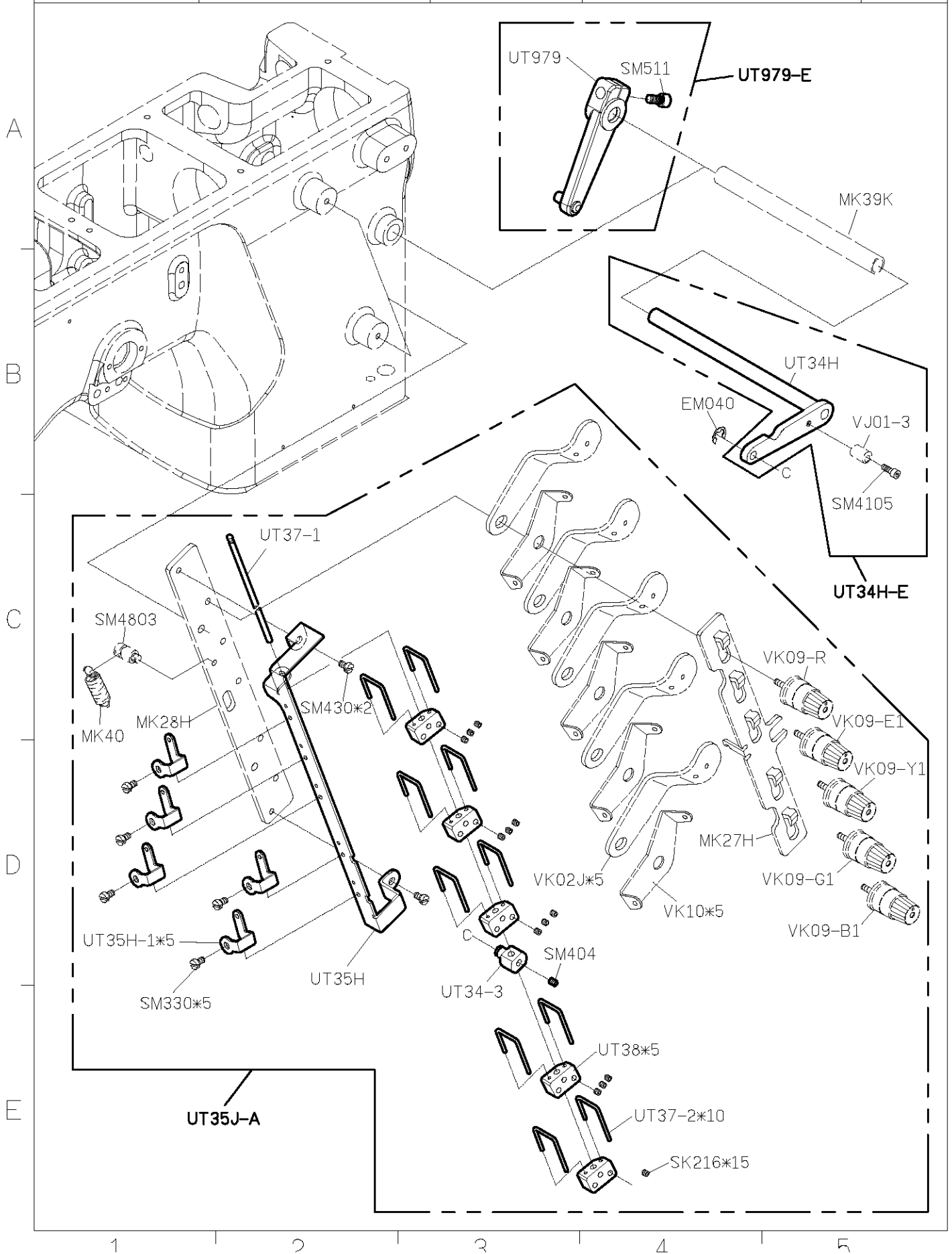
UTX(UTY)-K

For **S007K/S007KD 2nd Generation**

4/12

Date

2013/10/16



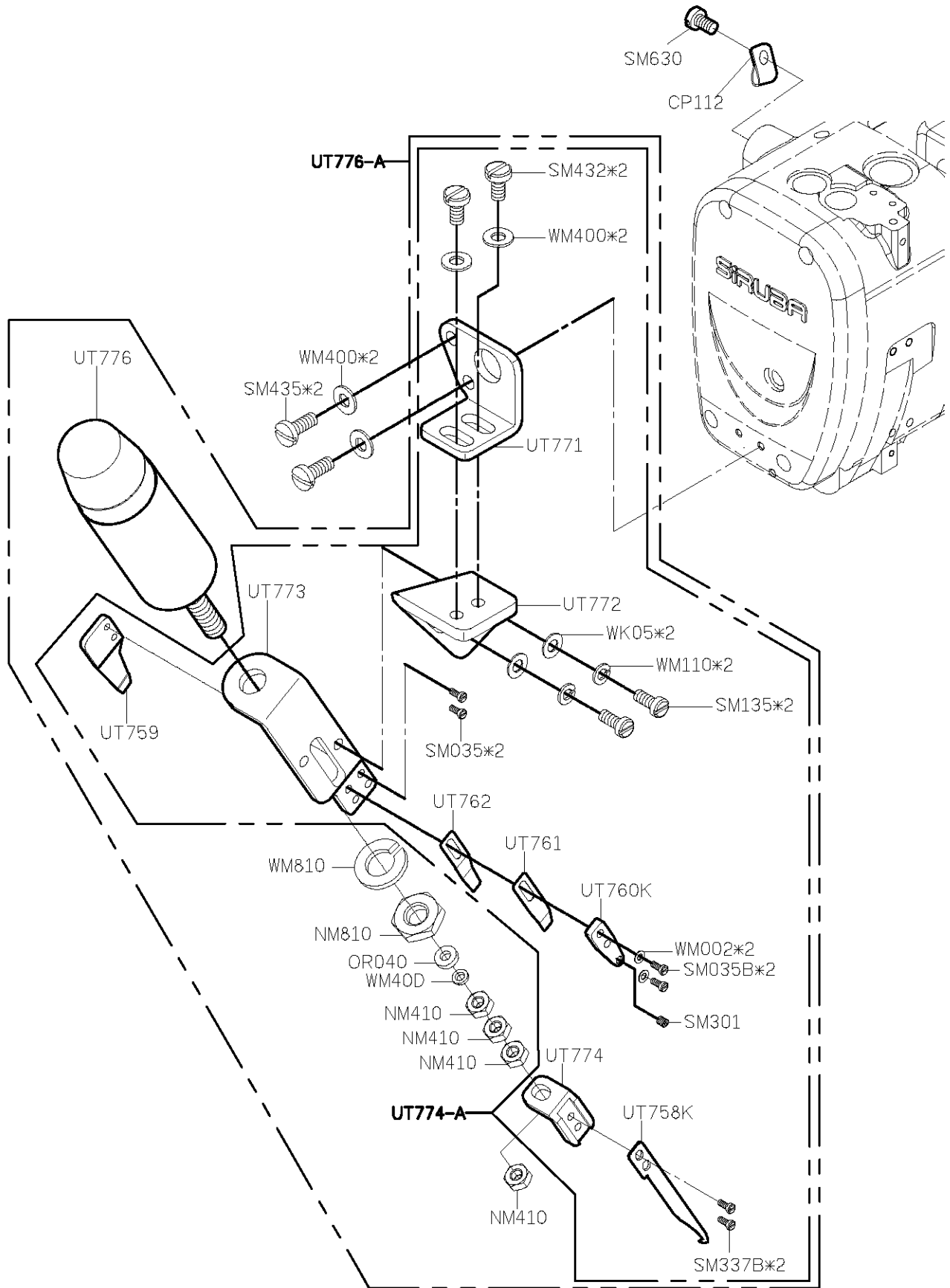
A

B

C

D

E



SIRUBA

PARTS LIST

S007K/S007KD

UTY-K

Parts Group

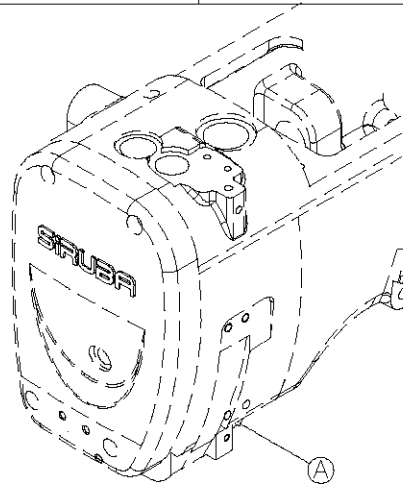
Subclass / Remark

Page

6/12

Date

2015/01/05



WP51-A2

UT776

WP51-A

SM418*2

WP51

WP55

WP52

WP42

WP41K

SM130

WM810

NM810

OR040

WM40D

NM410

NM410

NM410

SM330

WM301

SM030

UT564

WP58

WP54

NM410

WP34K

WP53

SM4831

SM4306

SM4553B*2

WP56

WM402*2

SM410*2

WM402*2

SM410*2

WP32

BC715

WP36

1

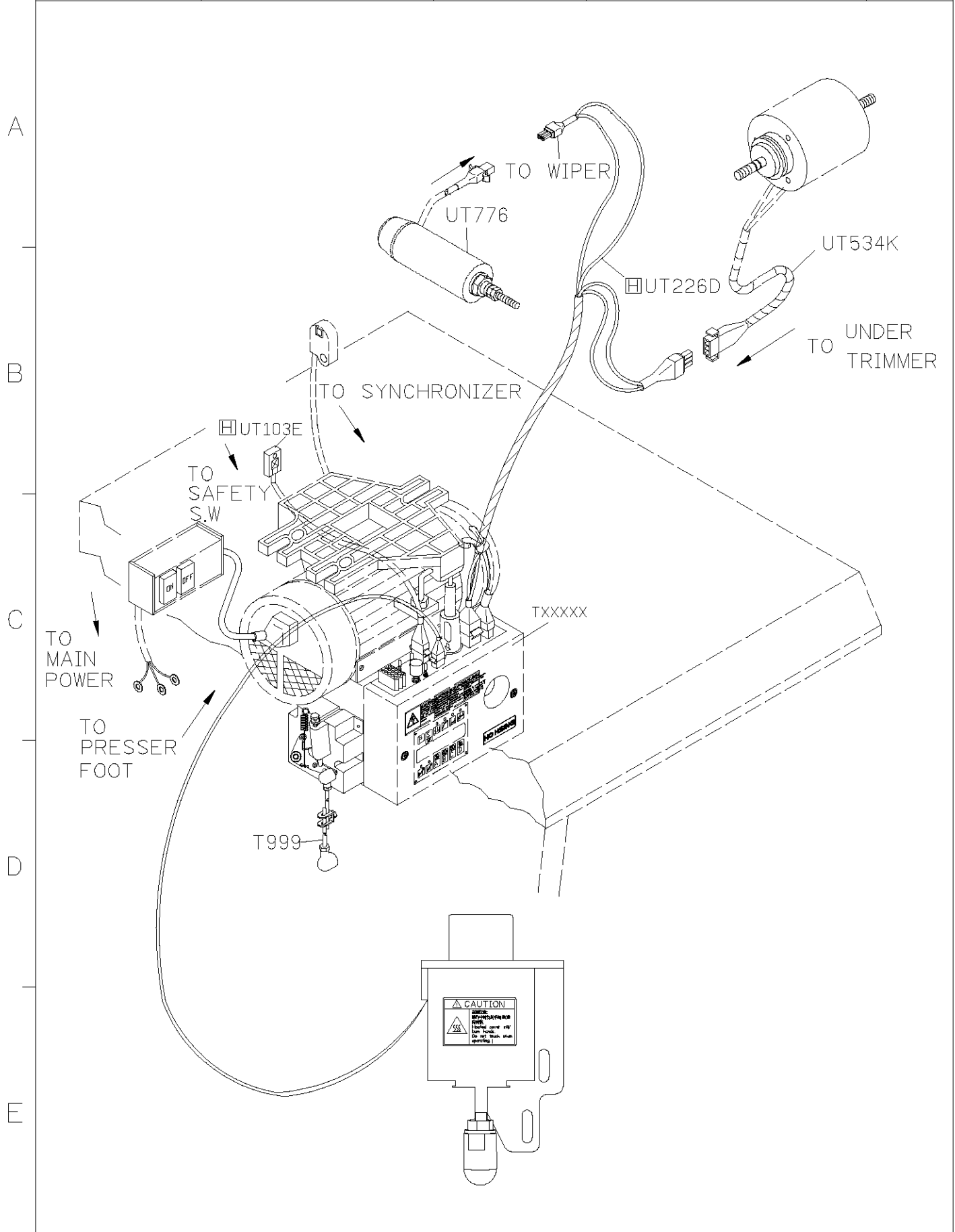
2

3

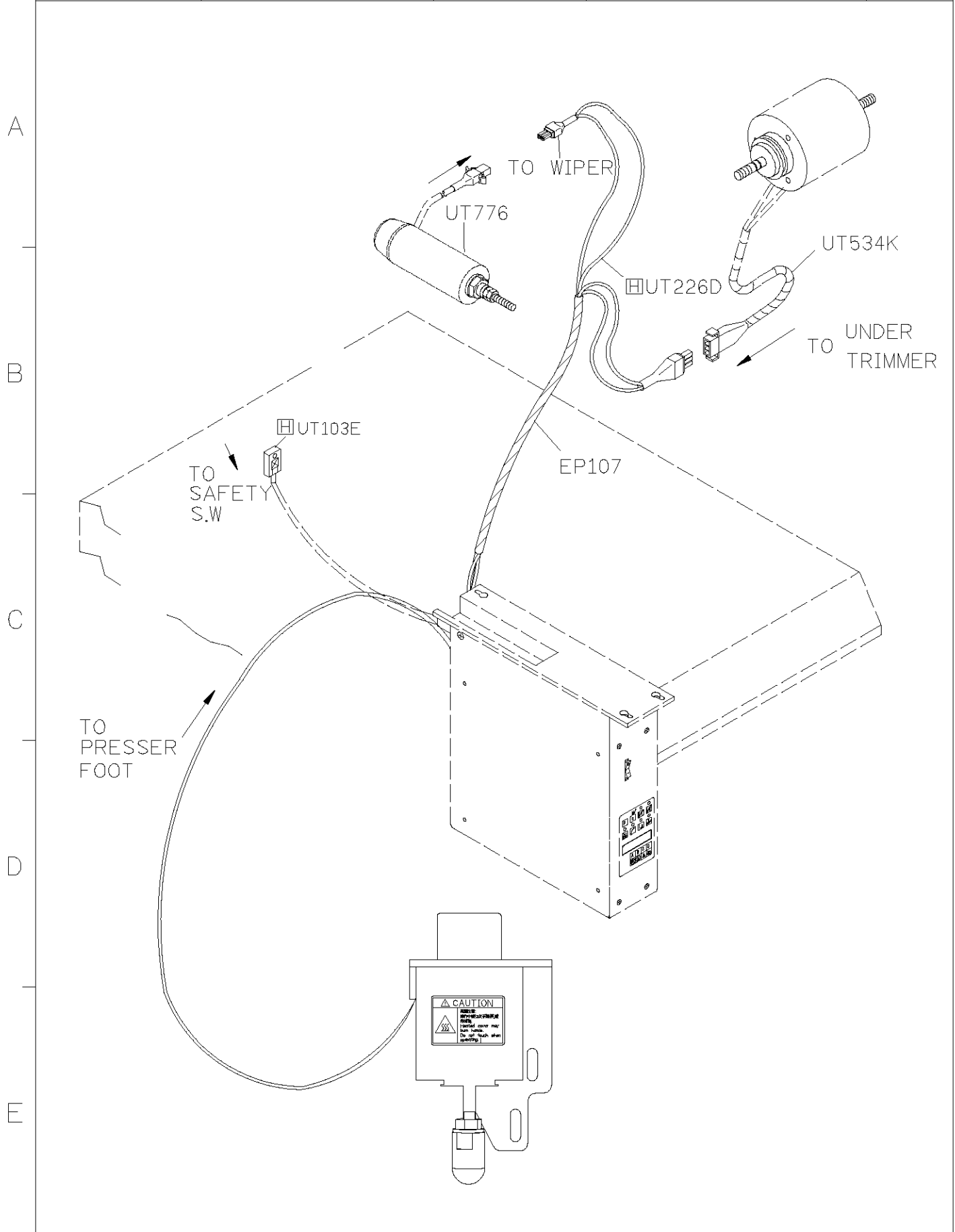
4

5

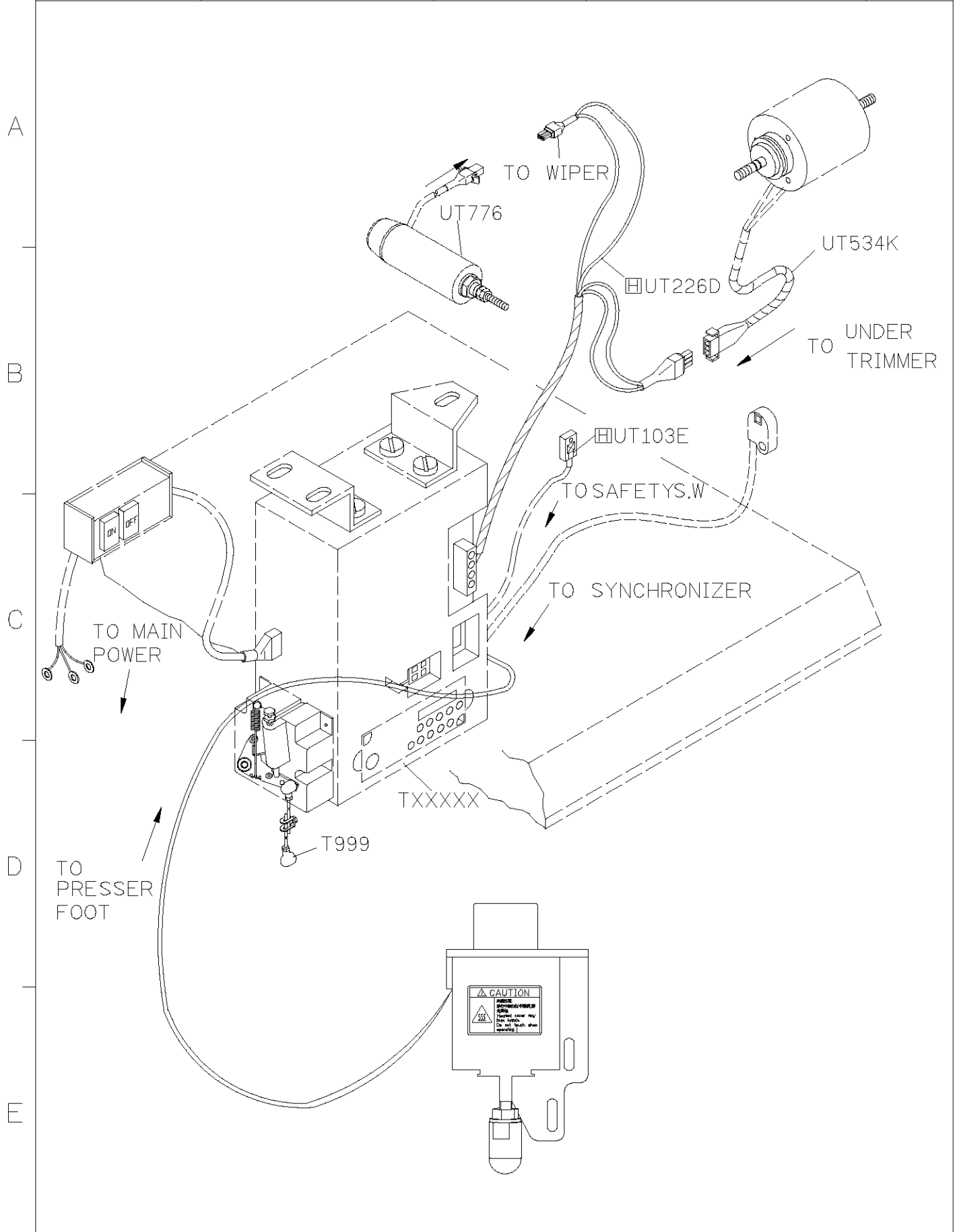
| SIRUBA PARTS LIST | Series | Parts Group | Subclass / Remark | Page |
|----------------------|--------------|-------------|---------------------------|------------|
| | S007K/S007KD | UTX(UTY)-K | For S007K | 7/12 |
| | | | ☐ : Use for H brand motor | Date |
| | | | | 2015/01/05 |



| SIRUBA PARTS LIST | Series | Parts Group | Subclass / Remark | Page |
|-----------------------------|---------------------|-------------------|---------------------------|-------------|
| | S007K/S007KD | UTX(UTY)-K | For S007KD | 8/12 |
| | | | ☐ : Use for H brand motor | Date |
| | | | | 2015/01/05 |

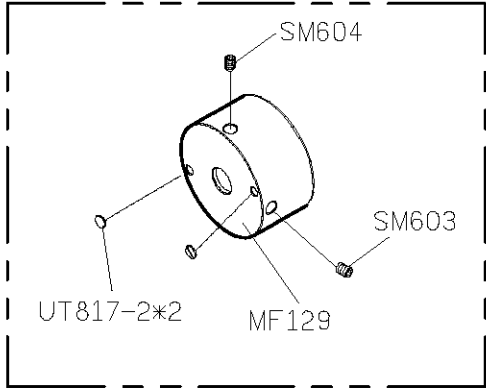


| SIRUBA PARTS LIST | Series | Parts Group | Subclass / Remark | Page |
|-----------------------------|---------------------|-------------------|---------------------------|-------------|
| | S007K/S007KD | UTX(UTY)-K | For S007KD | 9/12 |
| | | | ☐ : Use for H brand motor | Date |
| | | | | 2015/01/05 |

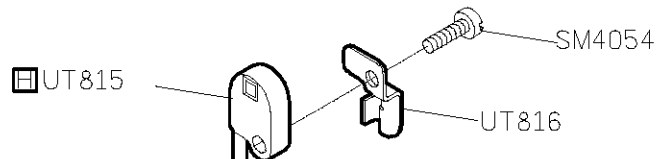


| SIRUBA PARTS LIST | S007K/S007KD | Parts Group | Subclass / Remark | Page |
|-----------------------------|---------------------|-------------|--|---------------------------|
| | | UTX(UTY)-K | For S007K ☐ : Use for H brand motor | 10/12 |
| | | | | Date 2012/10/31 |

A



B



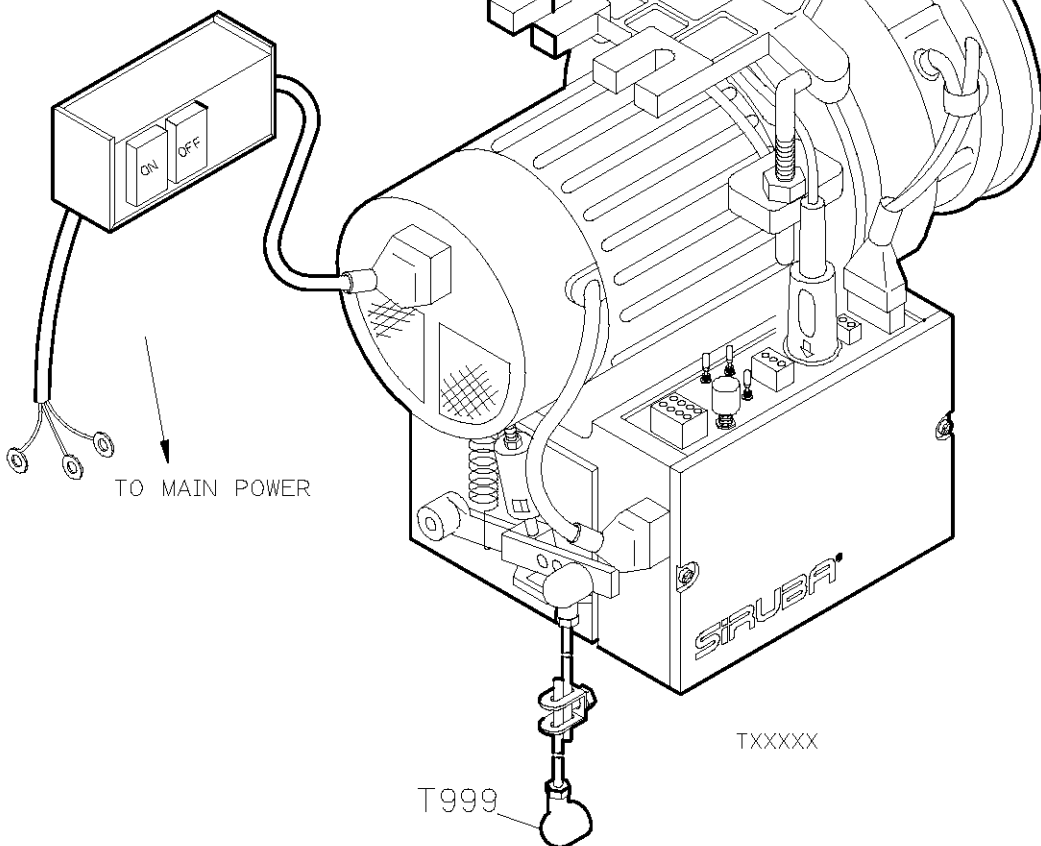
C

TO SYNCHRONIZER

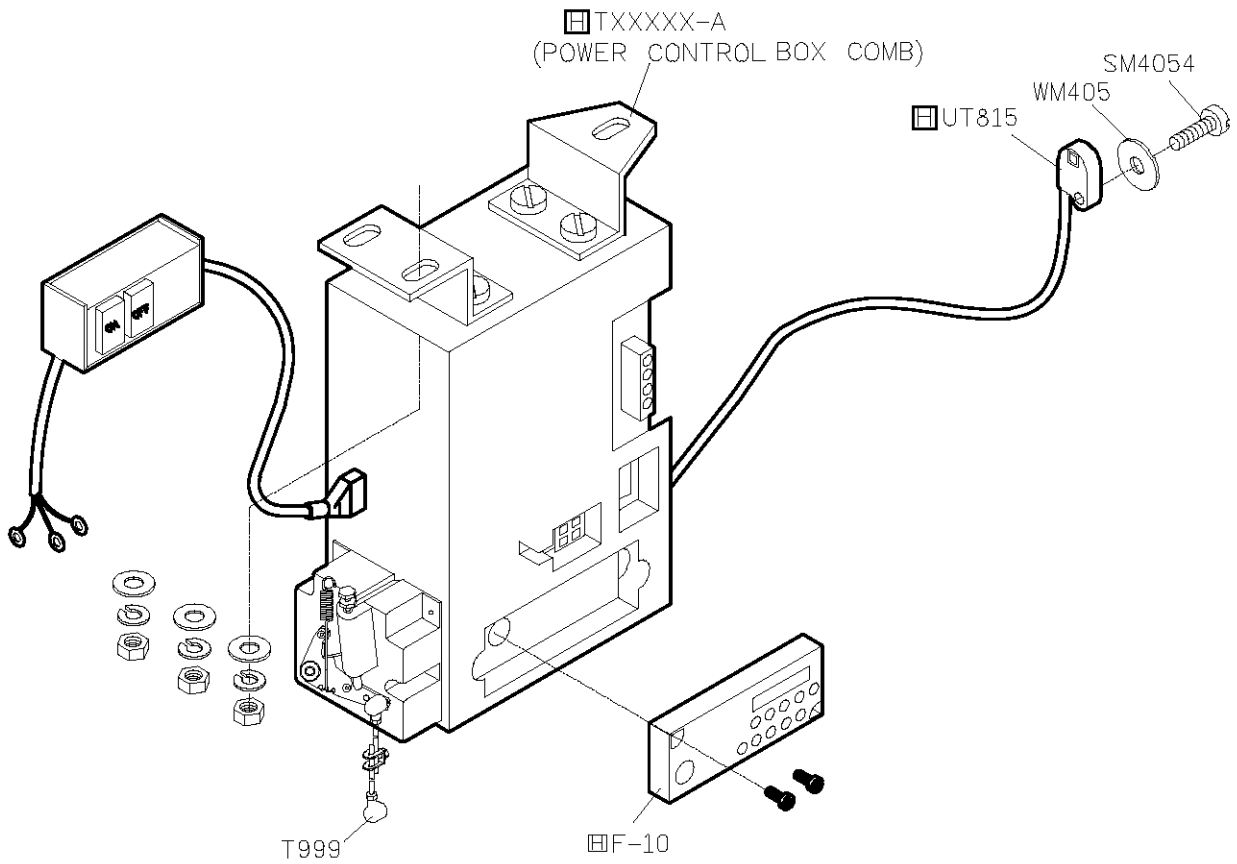
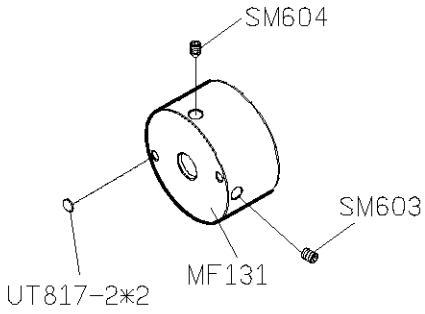
D

TO MAIN POWER

E



| SIRUBA PARTS LIST | S007K/S007KD | Parts Group UTX(UTY)-K | Subclass / Remark For S007KD <input type="checkbox"/> : Use for H brand motor (HVP-20) | Page 11/12 Date 2012/10/31 |
|------------------------------------|---------------------|---|--|---|
|------------------------------------|---------------------|---|--|---|



| SIRUBA PARTS LIST | Series | Parts Group | Subclass / Remark | Page |
|-----------------------------|--------------|-------------|---|--------------------|
| | S007K/S007KD | UTX(UTY)-K | For S007KD ☐ : Use for H brand motor (HVP-70) | 12/12 |
| | | | | Date 2012/10/31 |

