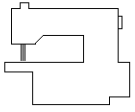
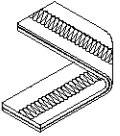
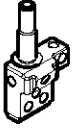
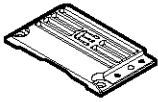
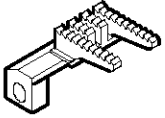

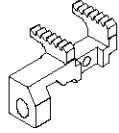
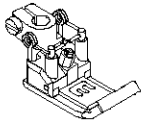



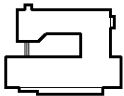



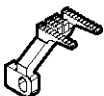

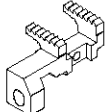
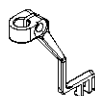
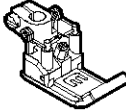



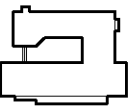


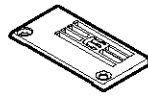
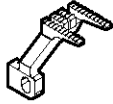
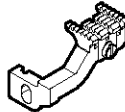
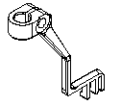
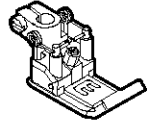



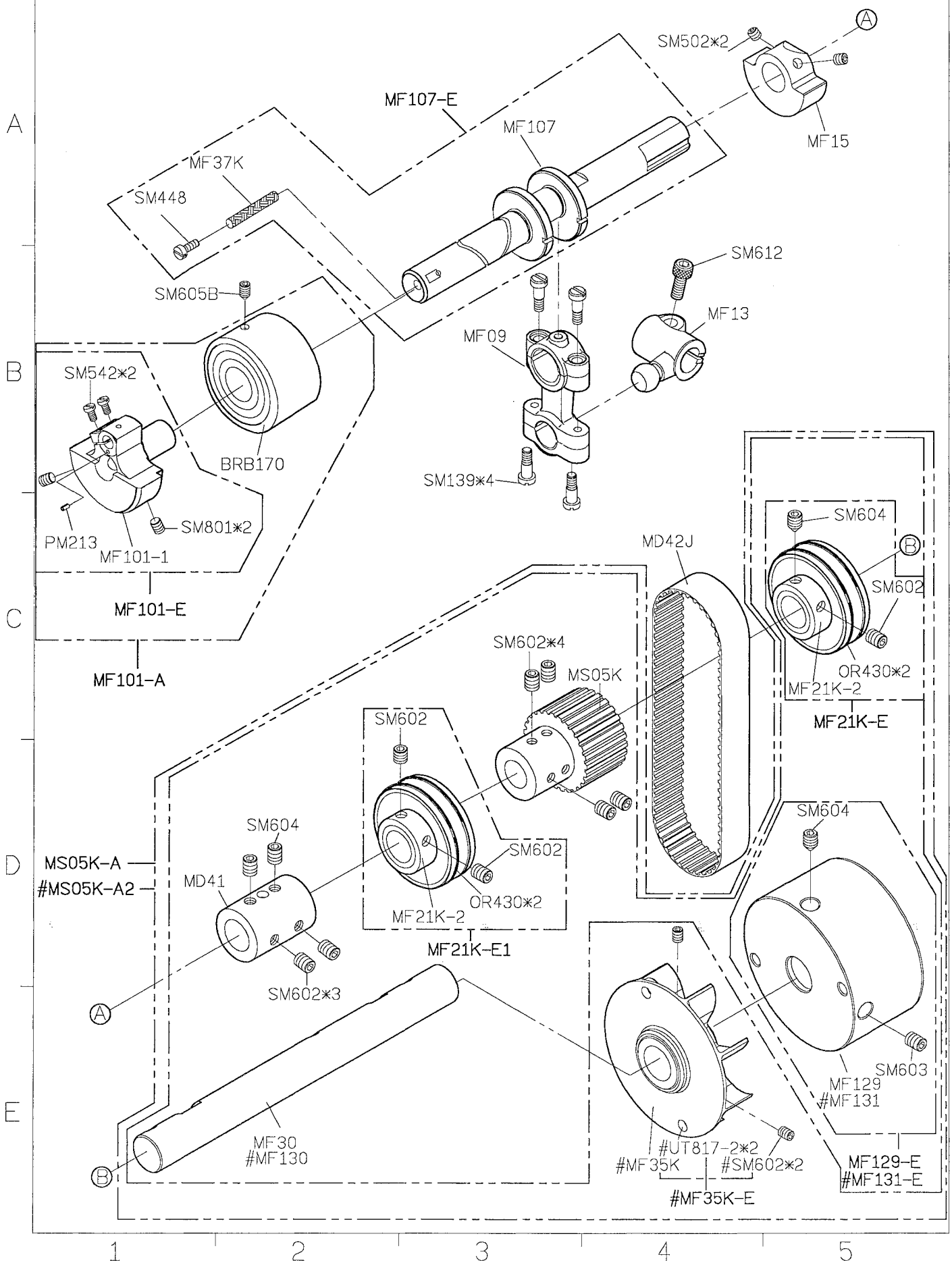


SIRUBA GAGE PARTS LIST		Series			Remark						Page	Date
		S007K / S007KD									1 / 1	2014/04/10
												
MODEL		SUB-CLASS	NEEDLE CLAMP	NEEDLE PLATE	MAIN FEED DOG	DIFF. FEED DOG		PRESSER FOOT	LOOPER	LOOPER	NEEDLE	
機 型		規 格	針 座	針 板	主 送 具	差 送 具		押 具	勾 針	上 叉	針 號	
S007K(KD)	W121/PCH-3M	240 248 356 364	M5240 M5248 M5356 M5364	E4094K E4095K E4096K E4097K	D4324K D4324K D4325K D4325K	H4387K H4387K H4379K H4379K	H4307K H4307K H4308K H4308K	P2674K-A P2674K-A P2576K-A P2576K-A	MT01	MH41	UYX128GAS#10	
	W122/PCH-3M	240 248 356 364	M5240 M5248 M5356 M5364	E3994K E3995K E3996K E3997K	D4324K D4324K D4325K D4325K	H4387K H4387K H4379K H4379K	H4307K H4307K H4308K H4308K	P2674K-A P2674K-A P2576K-A P2576K-A	MT01	MH41	UYX128GAS#10	
	W321/PCE	240 248 356 364	M5240 M5248 M5356 M5364	E4064K E4065K E4066K E4067K	D4324K D4324K D4325K D4325K	H4487K H4487K H4479K H4479K	H4307K H4307K H4308K H4308K	P2674K-A P2674K-A P2576K-A P2576K-A	MT01	MH41	UYX128GAS#10	
	W322/PCE	240 248 356 364	M5240 M5248 M5356 M5364	E3964K E3965K E3966K E3967K	D4324K D4324K D4325K D4325K	H4487K H4487K H4479K H4479K	H4307K H4307K H4308K H4308K	P2674K-A P2674K-A P2576K-A P2576K-A	MT01	MH41	UYX128GAS#10	

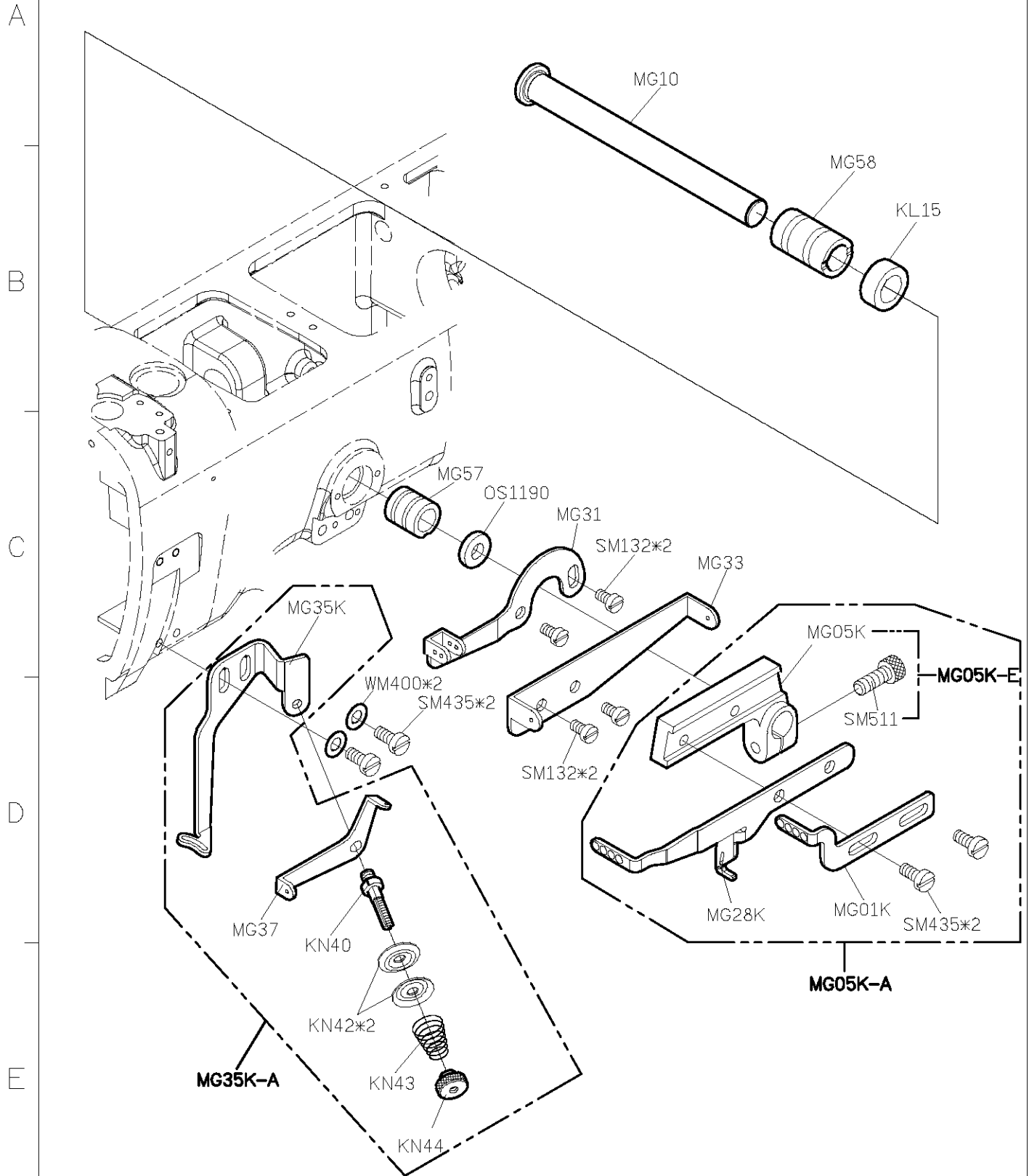
SIRUBA GAGE PARTS LIST		Series					Remark					Page	Date
		S007KD					USE FOR FFT					1/2	2013/09/12
													
MODEL	SUB-CLASS	NEEDLE CLAMP	NEEDLE PLATE	MAIN FEED DOG	DIFF. FEED DOG		TOP FEED DOG	PRESSER FOOT	LOOPER	SPREADER	NEEDLE		
機 型	規 格	針 座	針 板	主送具	差送具		上送具	壓 具	勾 針	上 叉	使用針		
W121/FFT/PCH	240	M5240	E4094K	D4324K	H4387K	H4307K	F7240N	P7240N-A P7248N-A P7356N-A P7364N-A	MT01	MH41	UYX128GAS#10		
	248	M5248	E4095K	D4325K	H4379K	H4308K	F7356N						
W121/FFT/PCH /UTT(UTX)	240	M5240	E4094K	D4324K	H4387K	H4307K	F7240N	P7240N-A P7248N-A P7356N-A P7364N-A	MT01	MH41	UYX128GAS#10		
	248	M5248	E4095K	D4325K	H4379K	H4308K	F7356N						
W122/FFT/PCH	240	M5240	E3994K	D4324K	H4387K	H4307K	F7240N	P7240N-A P7248N-A P7356N-A P7364N-A	MT01	MH41	UYX128GAS#10		
	248	M5248	E3995K	D4325K	H4379K	H4308K	F7356N						
W122/FFT/PCH /UTT(UTX)	240	M5240	E3994K	D4324K	H4387K	H4307K	F7240N	P7240N-A P7248N-A P7356N-A P7364N-A	MT01	MH41	UYX128GAS#10		
	248	M5248	E3995K	D4325K	H4379K	H4308K	F7356N						

SIRUBA GAGE PARTS LIST		Series				Remark					Page	Date
		S007KD				USE FOR FFT					2/2	2013/09/12
												
MODEL	SUB-CLASS	NEEDLE CLAMP	NEEDLE PLATE	MAIN FEED DOG	DIFF. FEED DOG	TOP FEED DOG	PRESSER FOOT	LOOPER	SPREADER	NEEDLE		
機 型	規 格	針 座	針 板	主送具	差送具	上送具	壓 具	勾 針	上 叉	使 用 針		
W131/FFT/PCH	240	M5240	E7240SL	D7240S	H7240S	F7240F	P7240F-A	MT01	MH41	UYX128GAS#10		
	248	M5248	E7248SL				P7248F-A					
	356	M5356	E7356SL	D7356S	H7356S	F7356F	P7356F-A					
	364	M5364	E7364SL				P7364F-A					
W131/FFT/PCH /UTT(UTX)	240	M5240	E7240SL	D7240S	H7240S	F7240F	P7240F-A	MT01	MH41	UYX128GAS#10		
	248	M5248	E7248SL				P7248F-A					
	356	M5356	E7356SL	D7356S	H7356S	F7356F	P7356F-A					
	364	M5364	E7364SL				P7364F-A					
W132/FFT/PCH	240	M5240	E7240SM	D7240S	H7240S	F7240F	P7240F-A	MT01	MH41	UYX128GAS#10		
	248	M5248	E7248SM				P7248F-A					
	356	M5356	E7356SM	D7356S	H7356S	F7356F	P7356F-A					
	364	M5364	E7364SM				P7364F-A					
W132/FFT/PCH /UTT(UTX)	240	M5240	E7240SM	D7240S	H7240S	F7240F	P7240F-A	MT01	MH41	UYX128GAS#10		
	248	M5248	E7248SM				P7248F-A					
	356	M5356	E7356SM	D7356S	H7356S	F7356F	P7356F-A					
	364	M5364	E7364SM				P7364F-A					

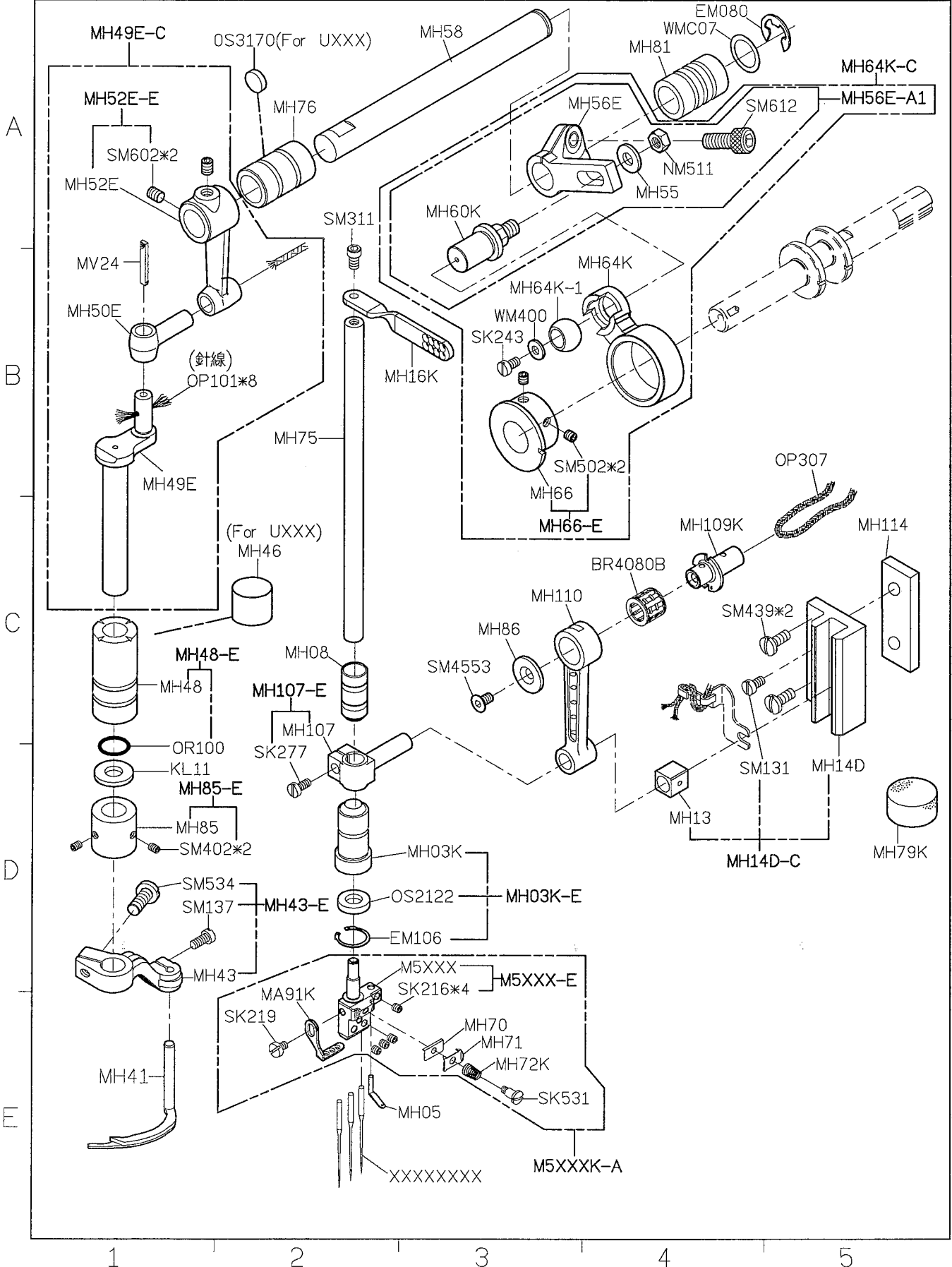
SIRUBA PARTS LIST	Series	Parts Group	Subclass / Remark	Page
	S007K/S007KD	MF-K	For S007K/S007KD 2 nd Generation # :Use for S007KD 2 nd Generation	1/1 Date 2016/01/22



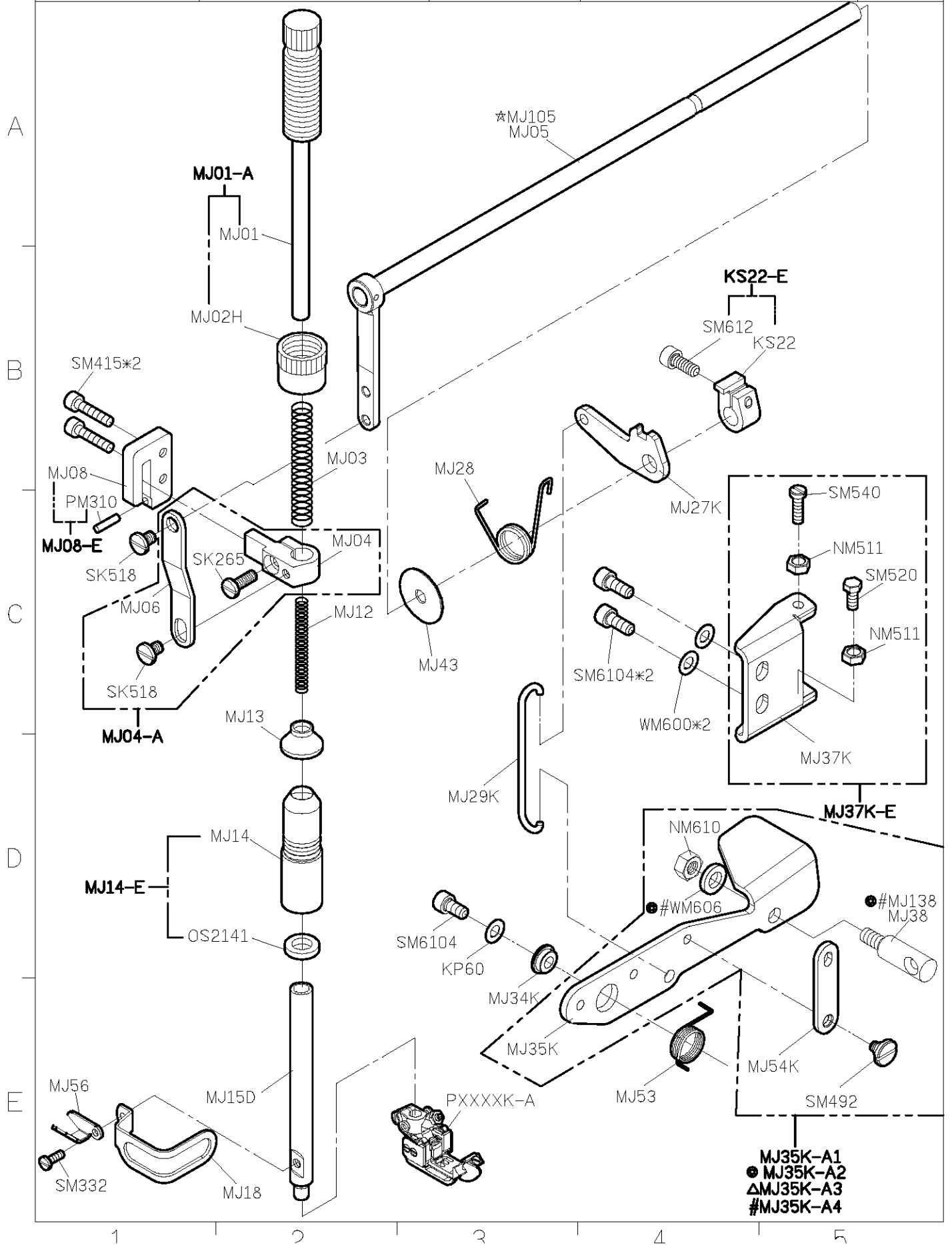
SIRUBA PARTS LIST	Series	Parts Group	Subclass / Remark	Page
	S007K/S007KD	MG-K	For S007K/S007KD 2 nd Generation	1/1
				Date
				2012/10/31



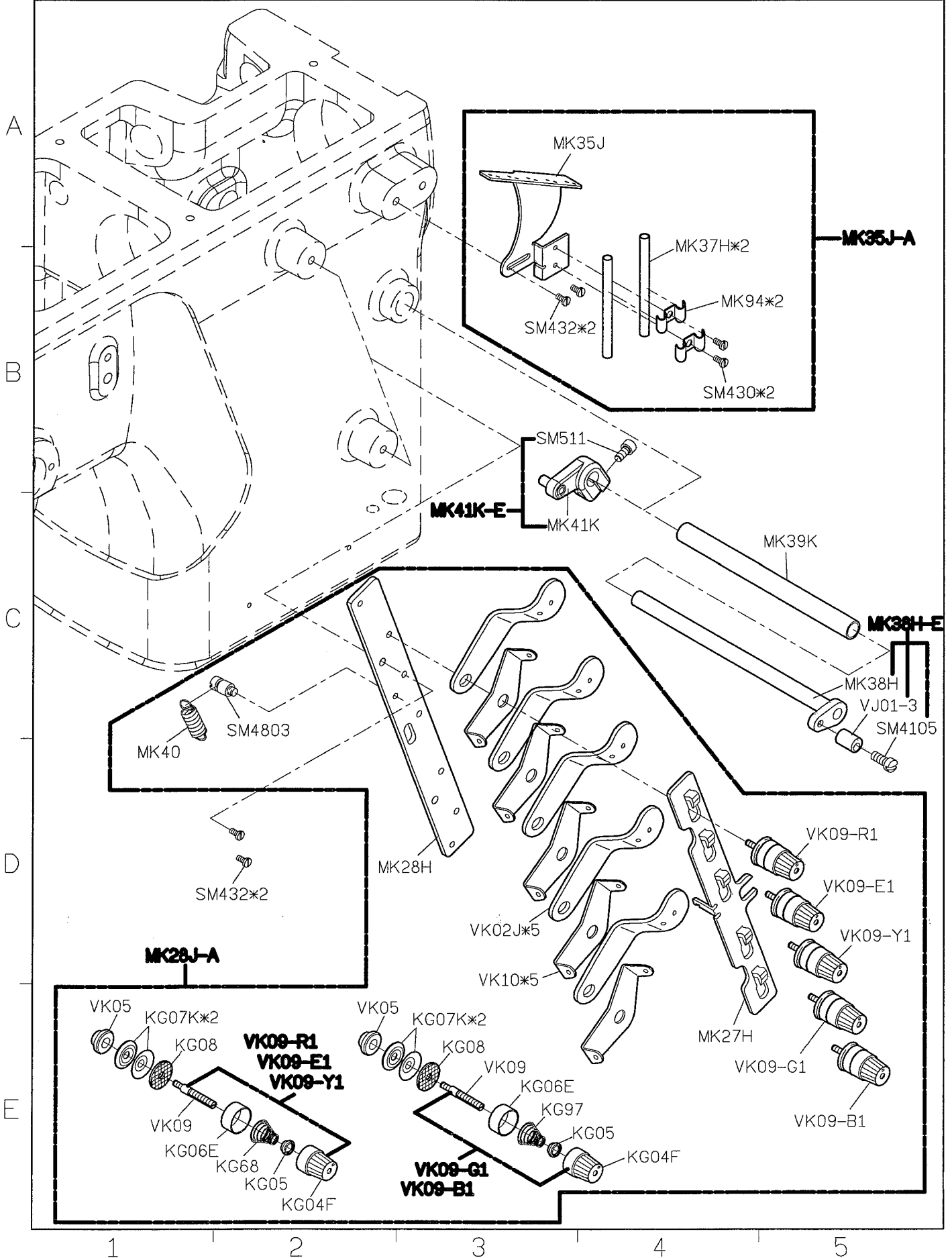
SIRUBA PARTS LIST	Series	Parts Group	Subclass / Remark	Page
	S007K/S007KD	MH-K	For S007K/S007KD 2 nd Generation	1/1
				Date
				2016/01/22



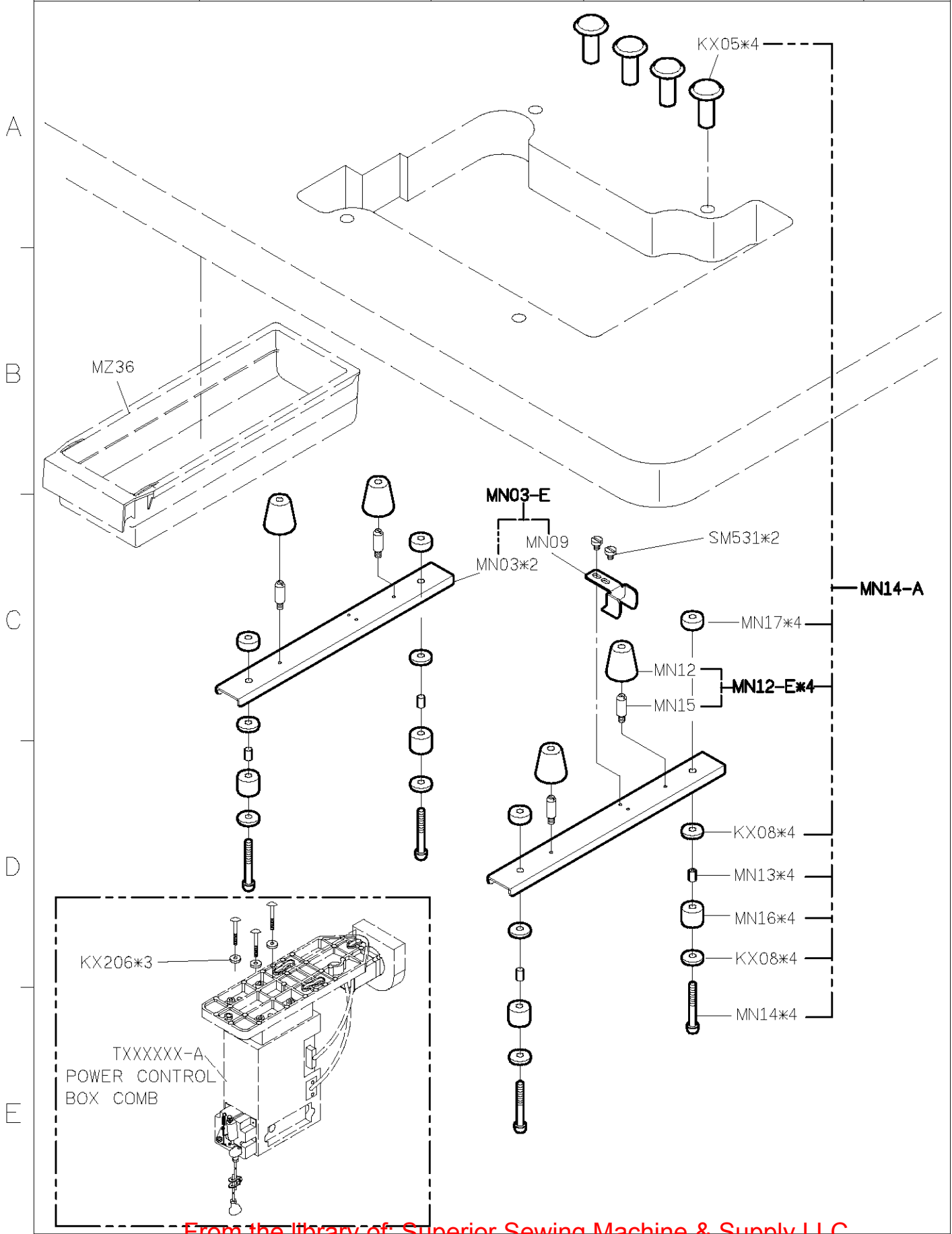
SIRUBA PARTS LIST	Series	Parts Group	Subclass / Remark	Page
	S007K/S007KD	MJ-K	For S007K/S007KD 2 nd Generation ☆: Use for S007KD 2 nd Generation ●: Use for S007KD-UT 2 nd Generation #: Use for S007KD 2 nd Generation not for UT Δ: Use for S007K-UT 2 nd Generation	1/1 Date 2014/02/22



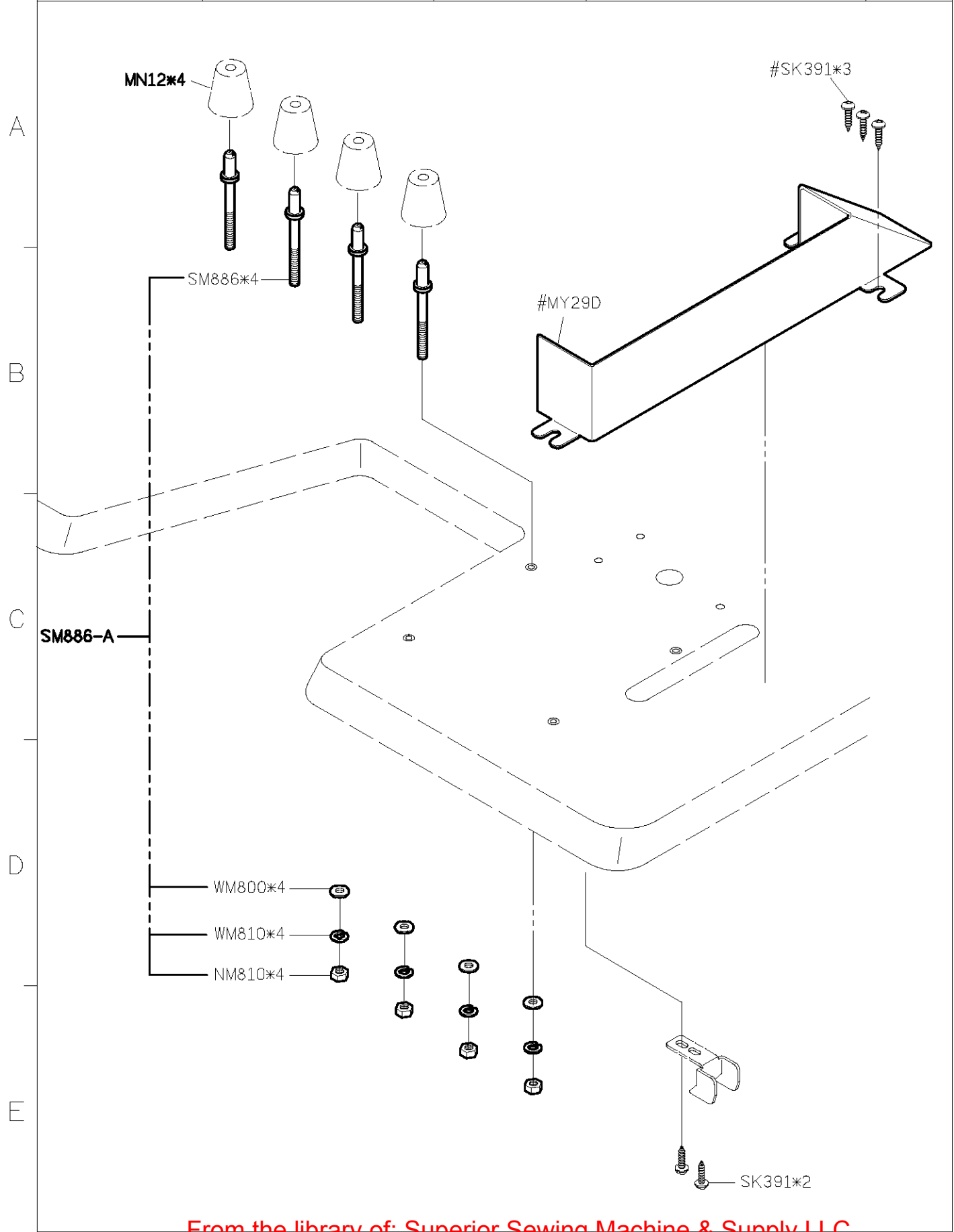
SIRUBA PARTS LIST	Series	Parts Group	Subclass / Remark	Page
	S007K/S007KD	MK-K	For S007K/S007KD 2 nd Generation	1/1
				Date
				2015/12/15



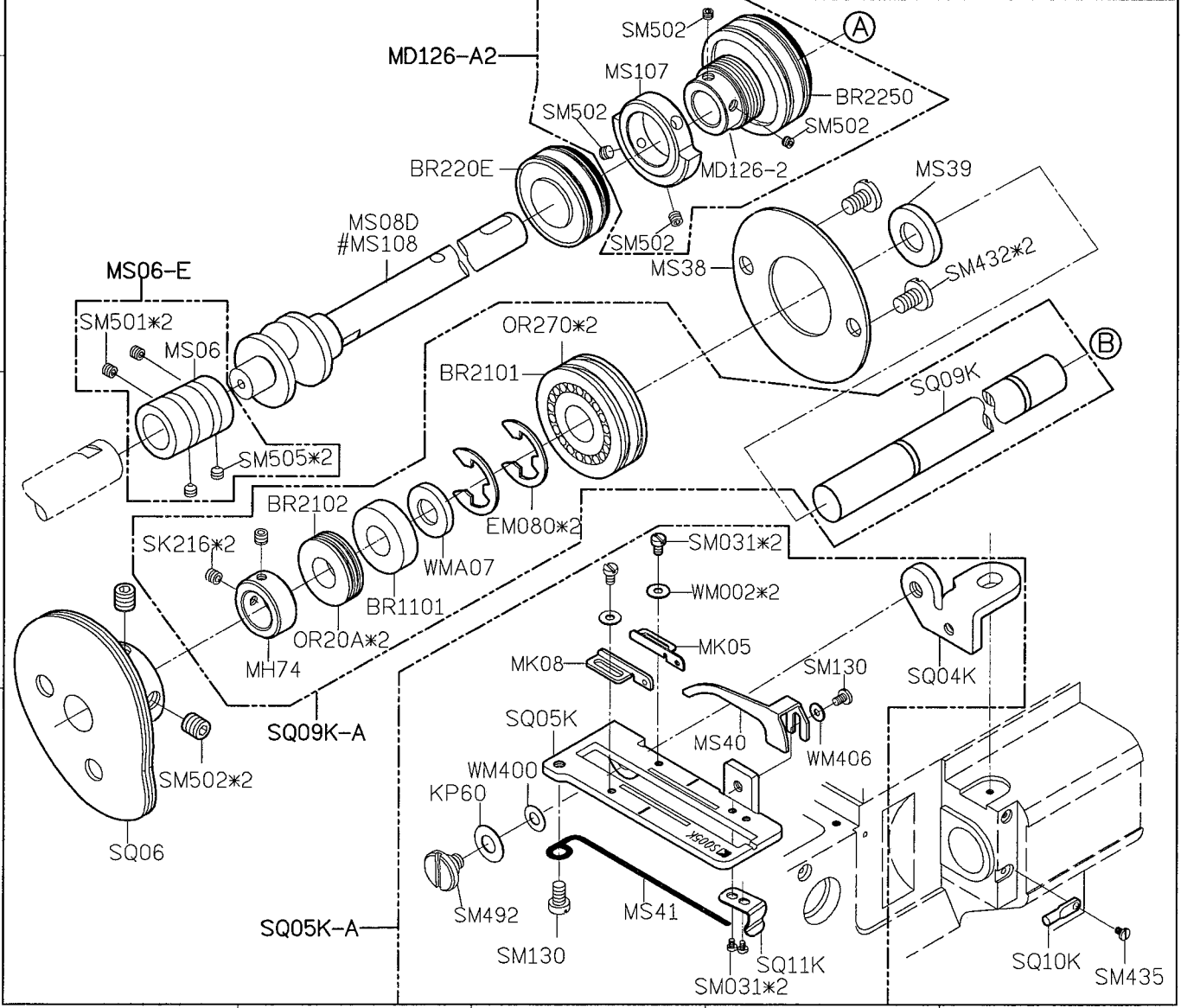
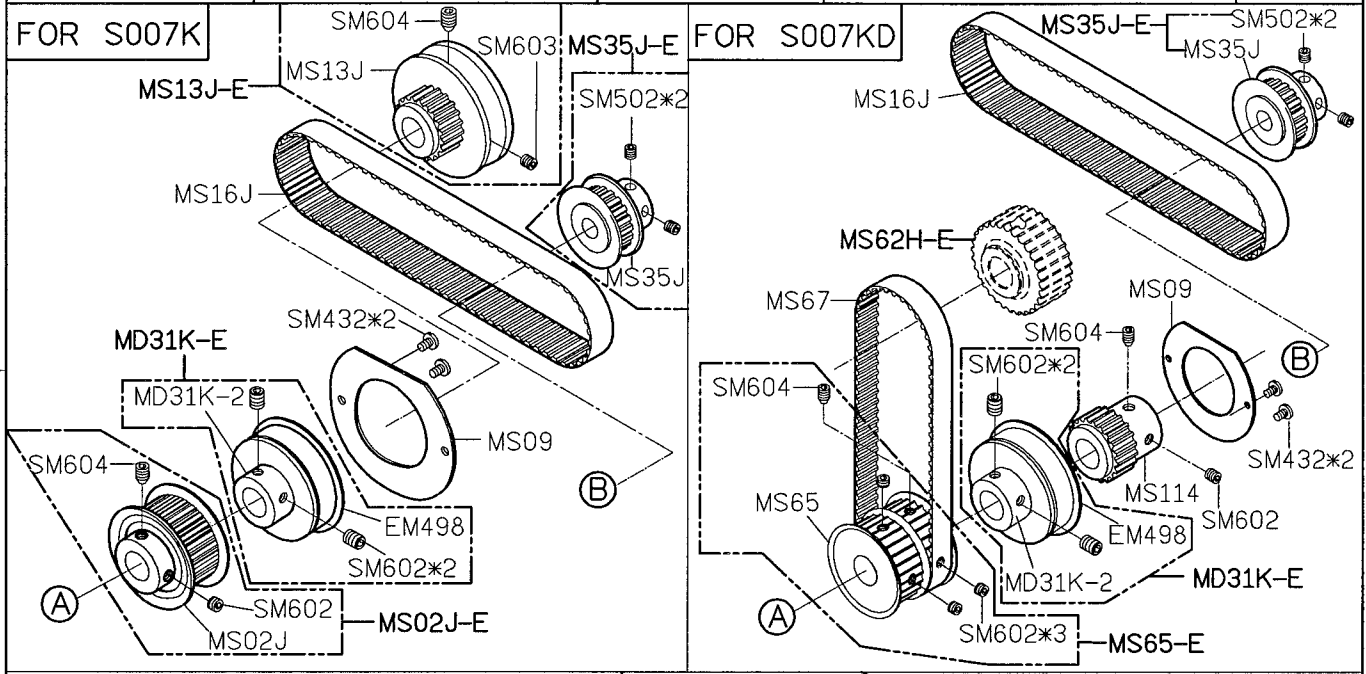
SIRUBA PARTS LIST	Series	Parts Group	Subclass / Remark	Page
	S007K/S007KD	MN-K		1/2
				Date
				2012/10/31



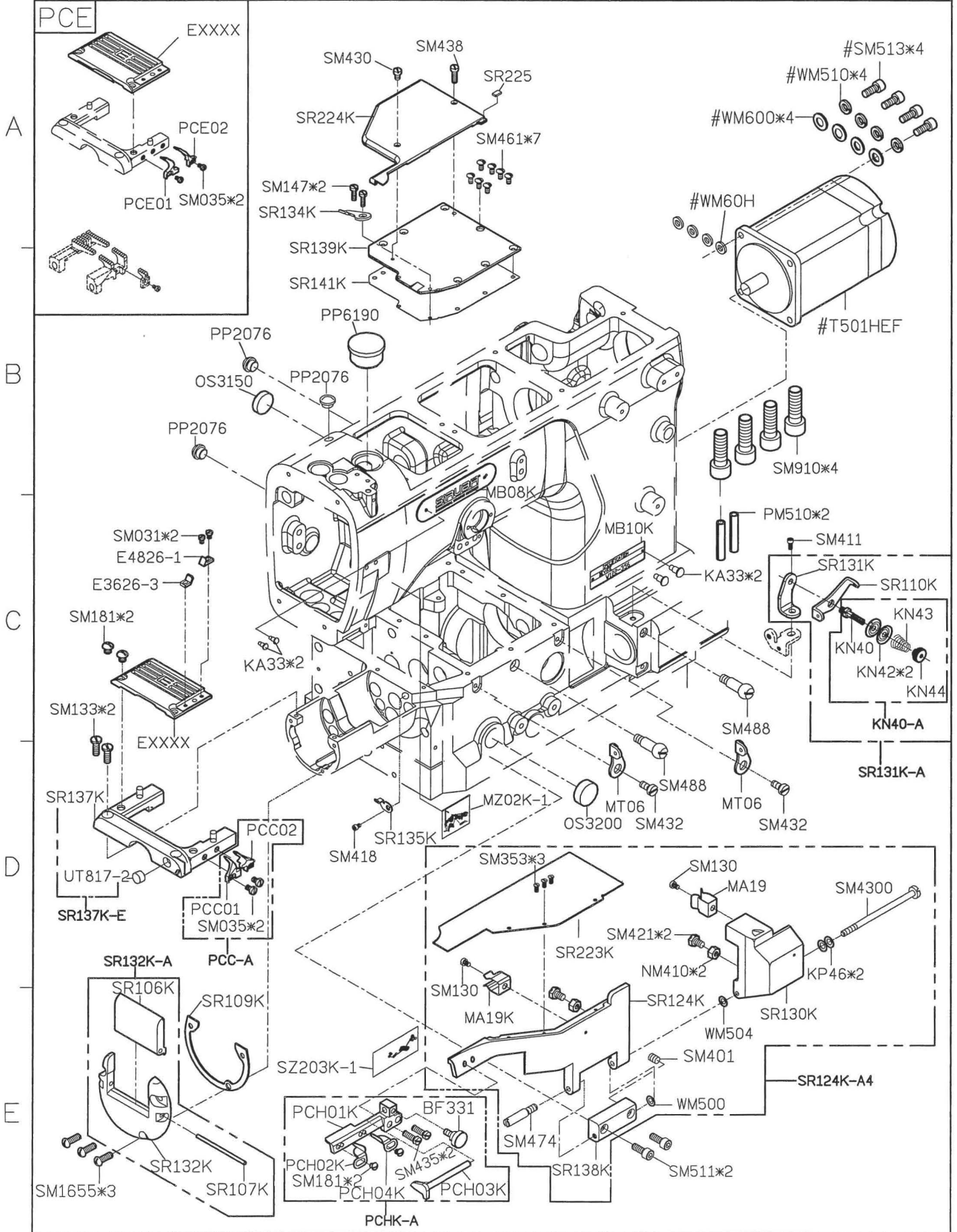
SIRUBA PARTS LIST	Series	Parts Group	Subclass / Remark	Page
	S007K/S007KD	MN-K	# :Use for S007K	1/2
				Date 2012/10/31



SIRUBA PARTS LIST	Series	Parts Group	Subclass / Remark	Page
	S007K/S007KD	SQ-K	# :Use for S007KD	1/1
				Date
				2015/10/01

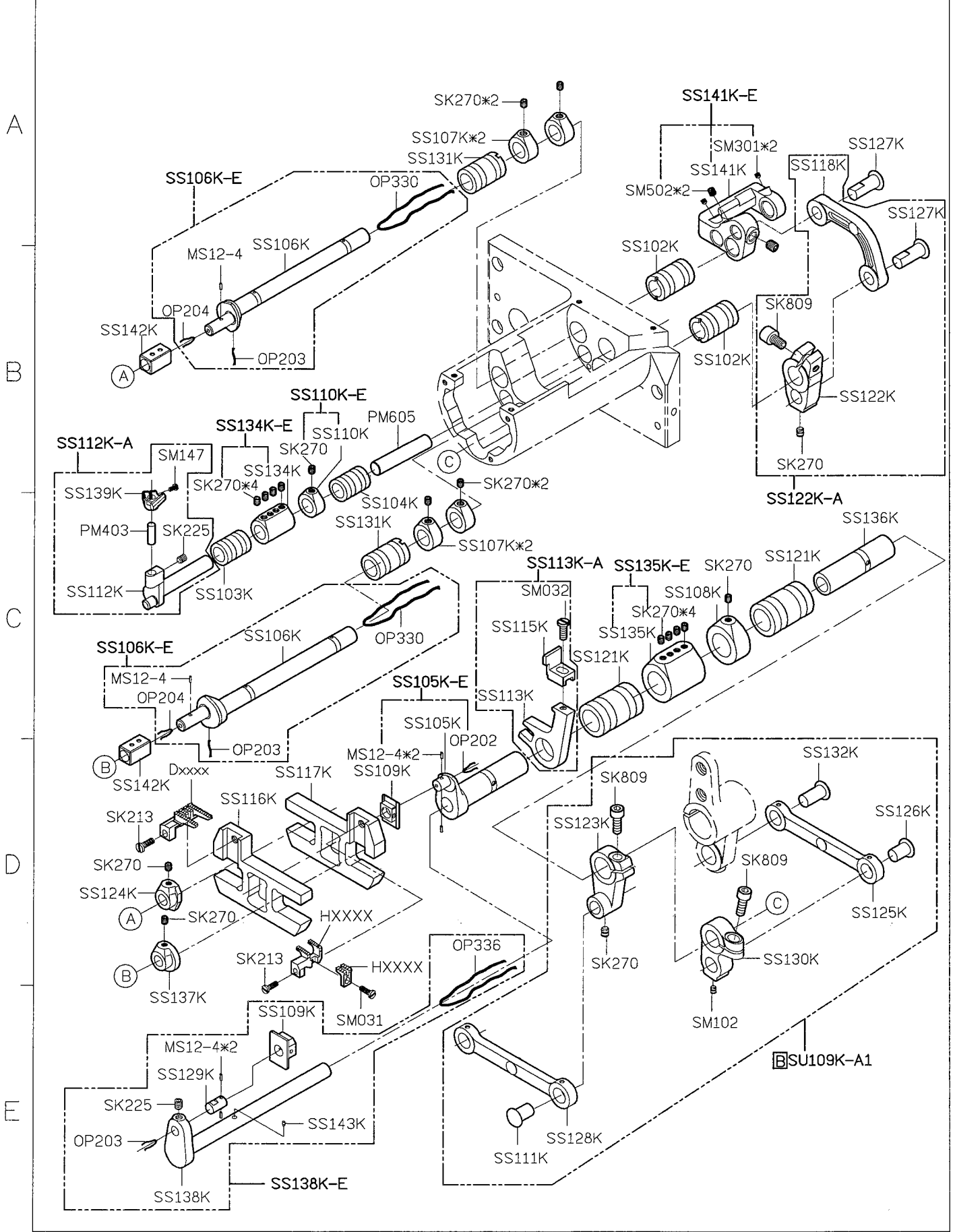


SIRUBA PARTS LIST	Series	Parts Group	Subclass / Remark	Page
	S007K/S007KD	SR-K	For S007K/S007KD 2 nd Generation # :Use for S007KD 2 nd Generation	2/2
				Date 2015/12/08

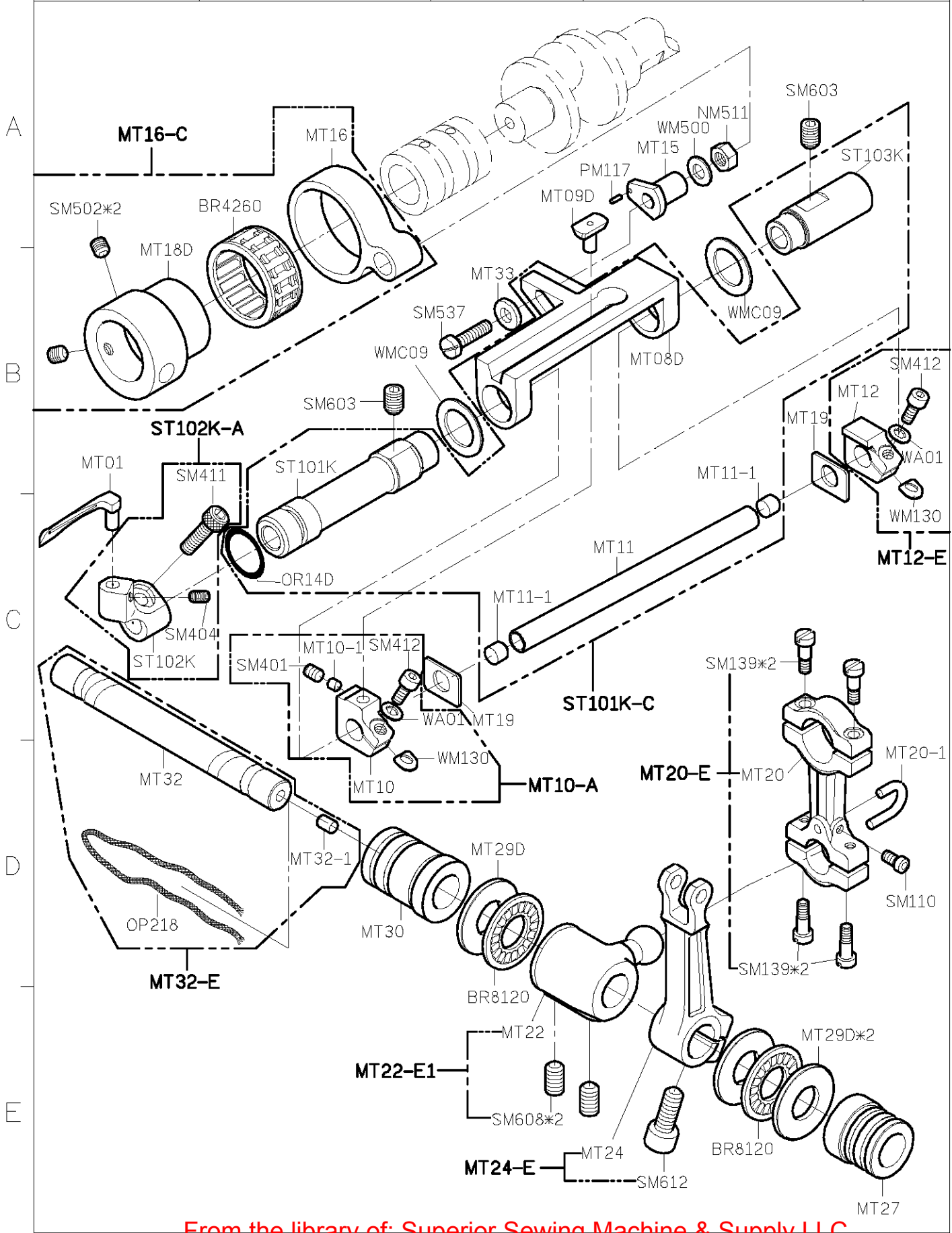


1 2 3 4 5

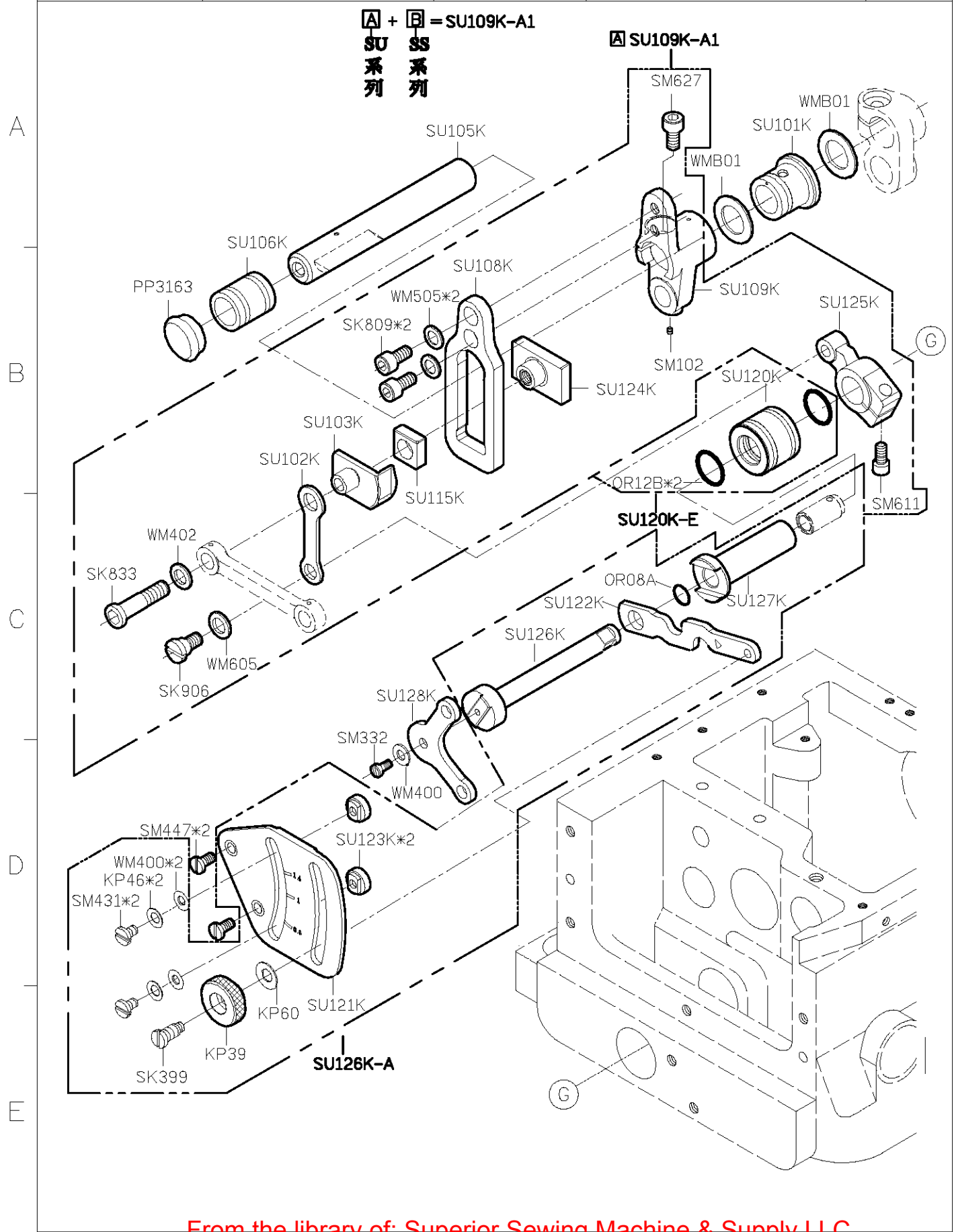
SIRUBA PARTS LIST	Series	Parts Group	Subclass / Remark	Page
	S007K/S007KD	SS-K		1/1
				Date
				2016/01/08



SIRUBA PARTS LIST	Series	Parts Group	Subclass / Remark	Page
	S007K/S007KD	ST-K		1/1
				Date
				2012/10/31



SIRUBA PARTS LIST	Series	Parts Group	Subclass / Remark	Page
	S007K/S007KD	SU-K	For S007K/S007KD 2 nd Generation	1/1
				Date
				2014/07/31



SIRUBA PARTS LIST	Series	Parts Group	Subclass / Remark	Page
	S007K/S007KD	SV-K	For S007K/S007KD 2 nd Generation	1/1
				Date
				2012/10/31

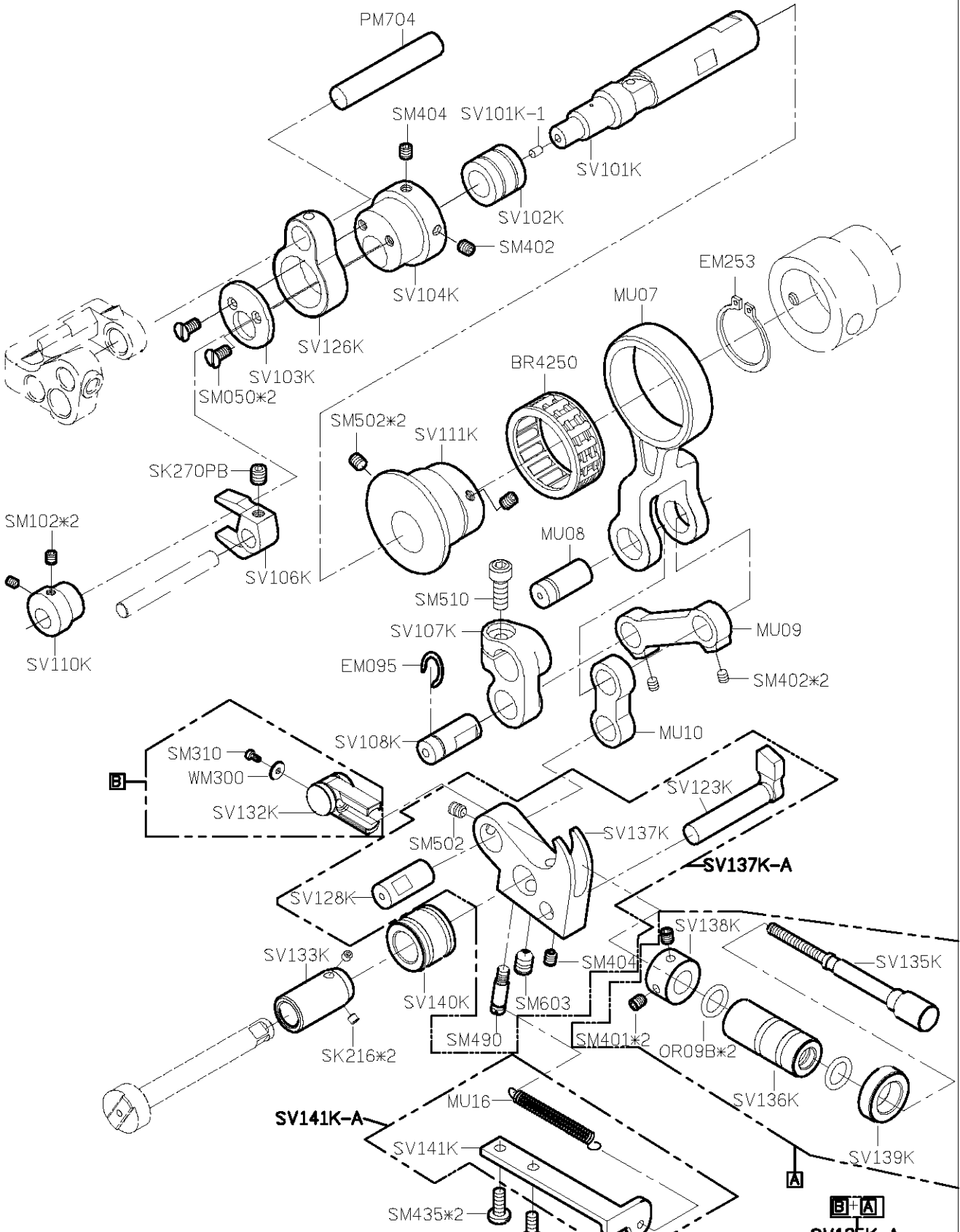
A

B

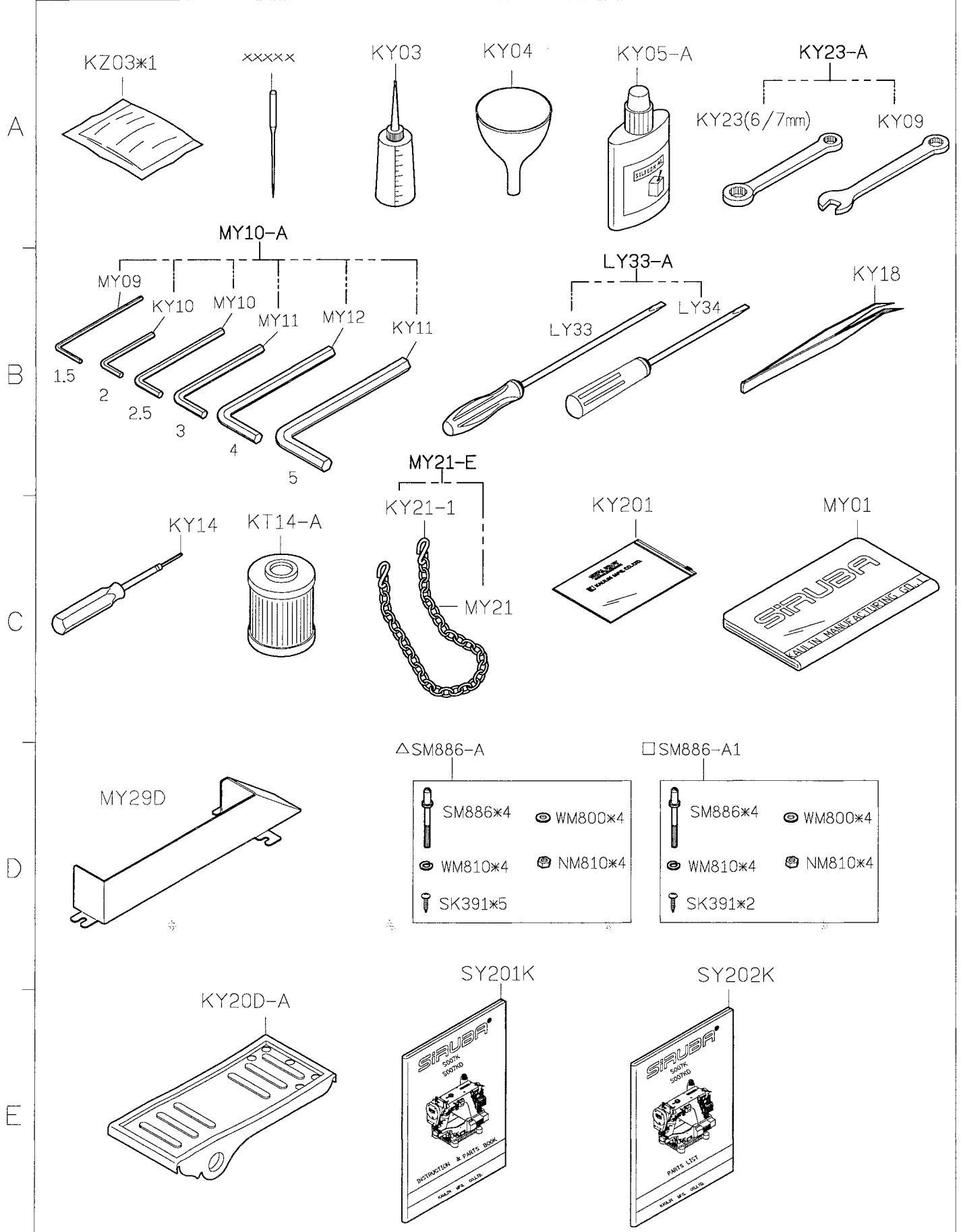
C

D

E



SIRUBA PARTS LIST	Series	Parts Group	Subclass / Remark	Page
	S007K/S007KD	SY-K	For S007K/S007KD 2 nd Generation	1/1
			△ :Use for S007K □ :Use for S007KD	Date
				2016/01/18



SIRUBA PARTS LIST	Series	Parts Group	Subclass / Remark	Page
	S007K/KD	SZ-K	For S007K/S007KD 2 nd Generation # :Use for S007KD 2 nd Generation	1/1 Date 2013/03/14

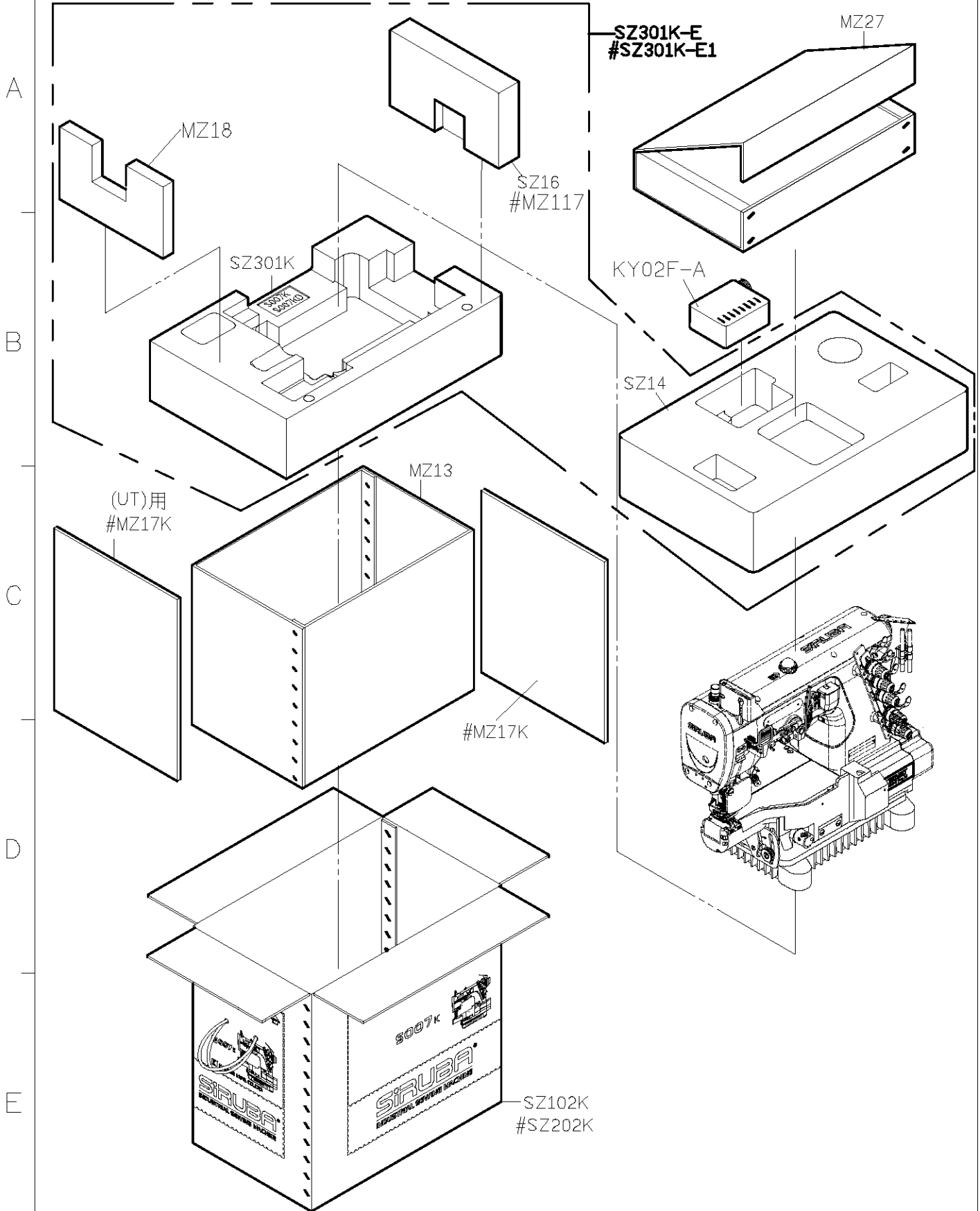


TABLE CUT-OUT OF S007K-T1

三針筒車上乘桌板圖
 S007K/KD SERIES TABLE CUT-OUT SEMI-SUBMERGED
 單位/UNIT:mm
 FOR 一般車及自動切線
 所有尺寸公差/DIFFERENCE:±2
 S007K-T1-1070長度(L):1070
 S007K-T1長度(L):1200
 全封邊灰格紋光塑面台板

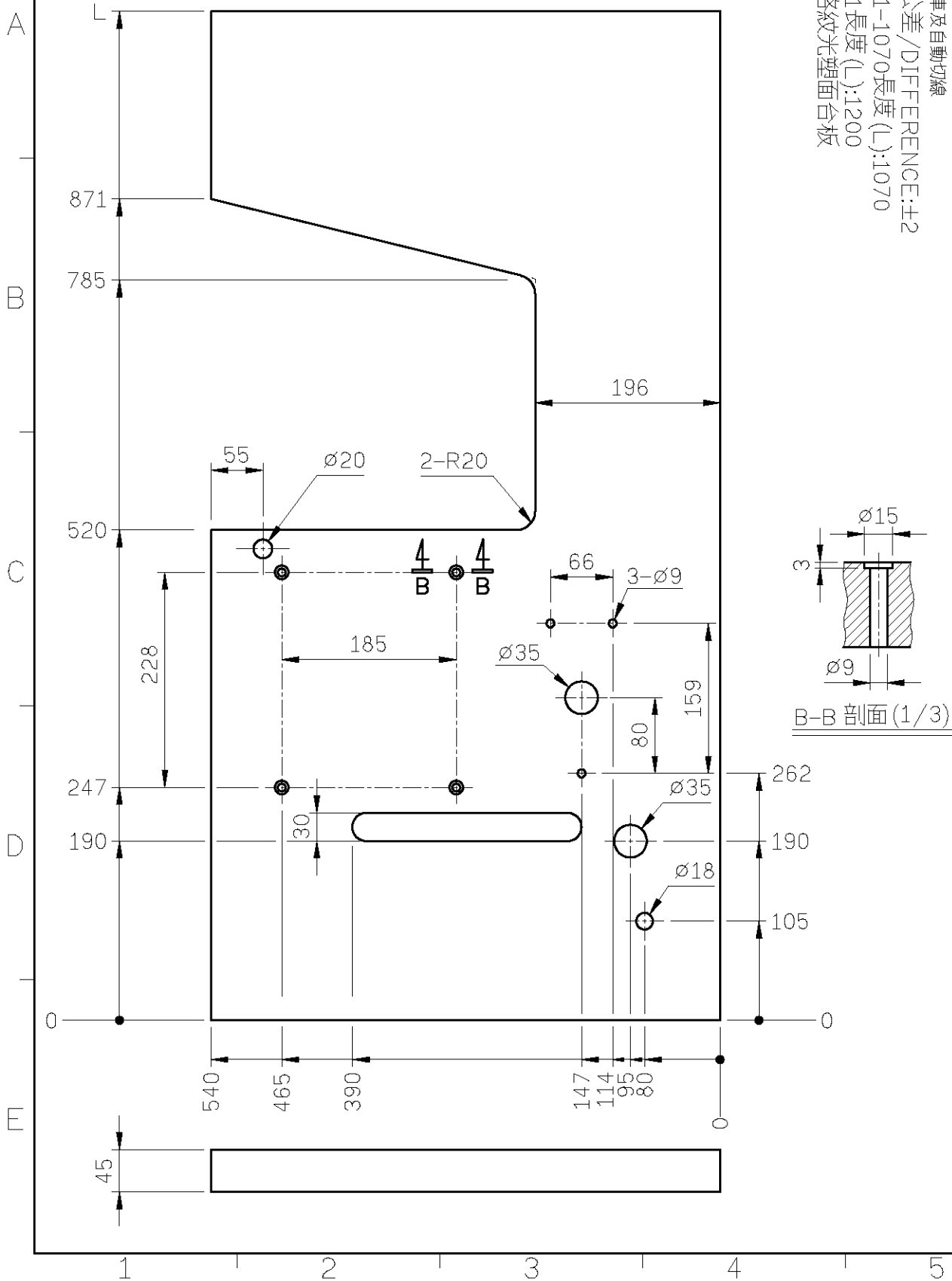


TABLE CUT-OUT OF S007K-T2

三針筒車下乘桌板圖

S007K/S007KD SERIES TABLE CUT-OUT SEMI-SUBMERGED

單位/UNIT:mm

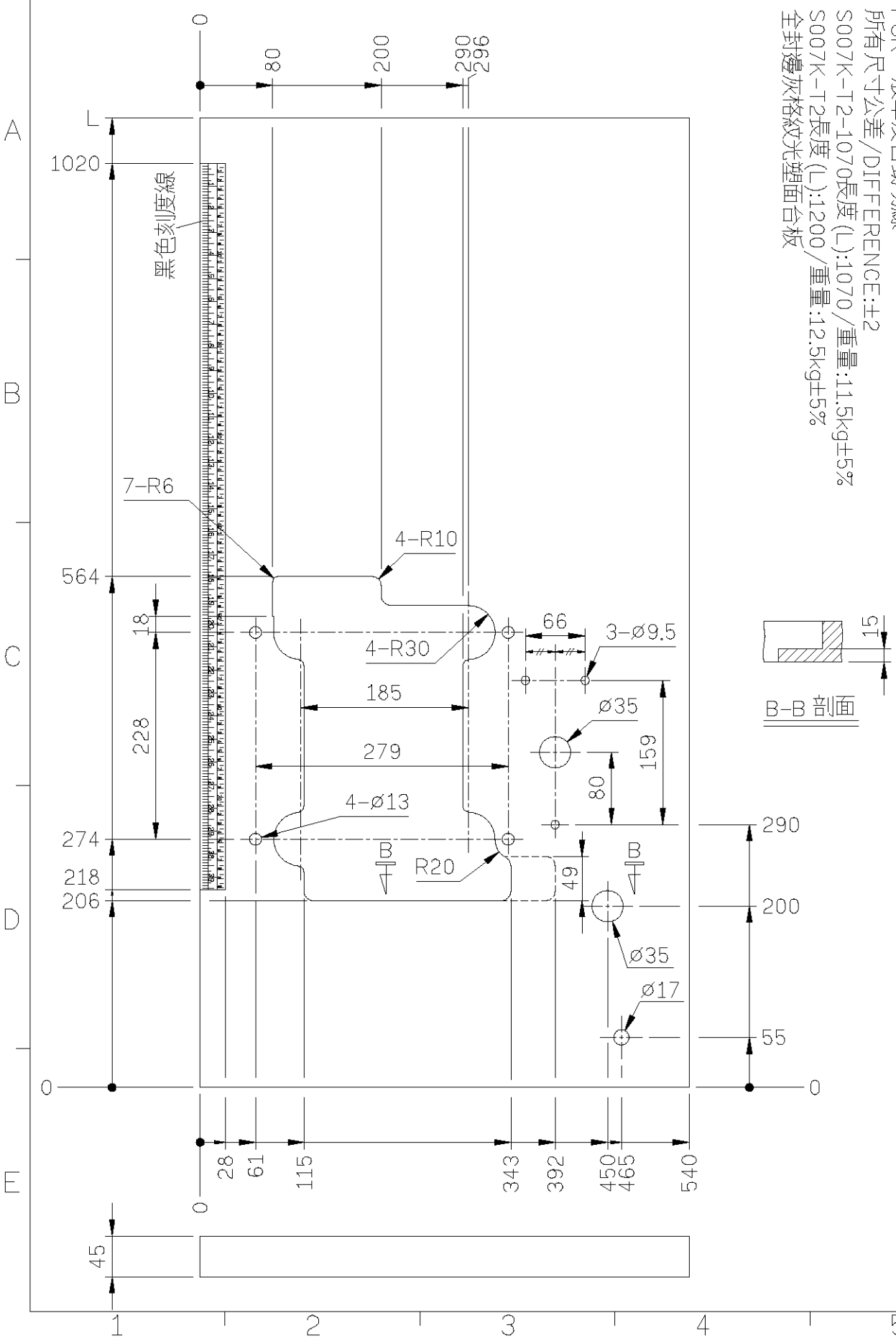
FOR一般車及自動切線

所有尺寸公差/DIFFERENCE:±2

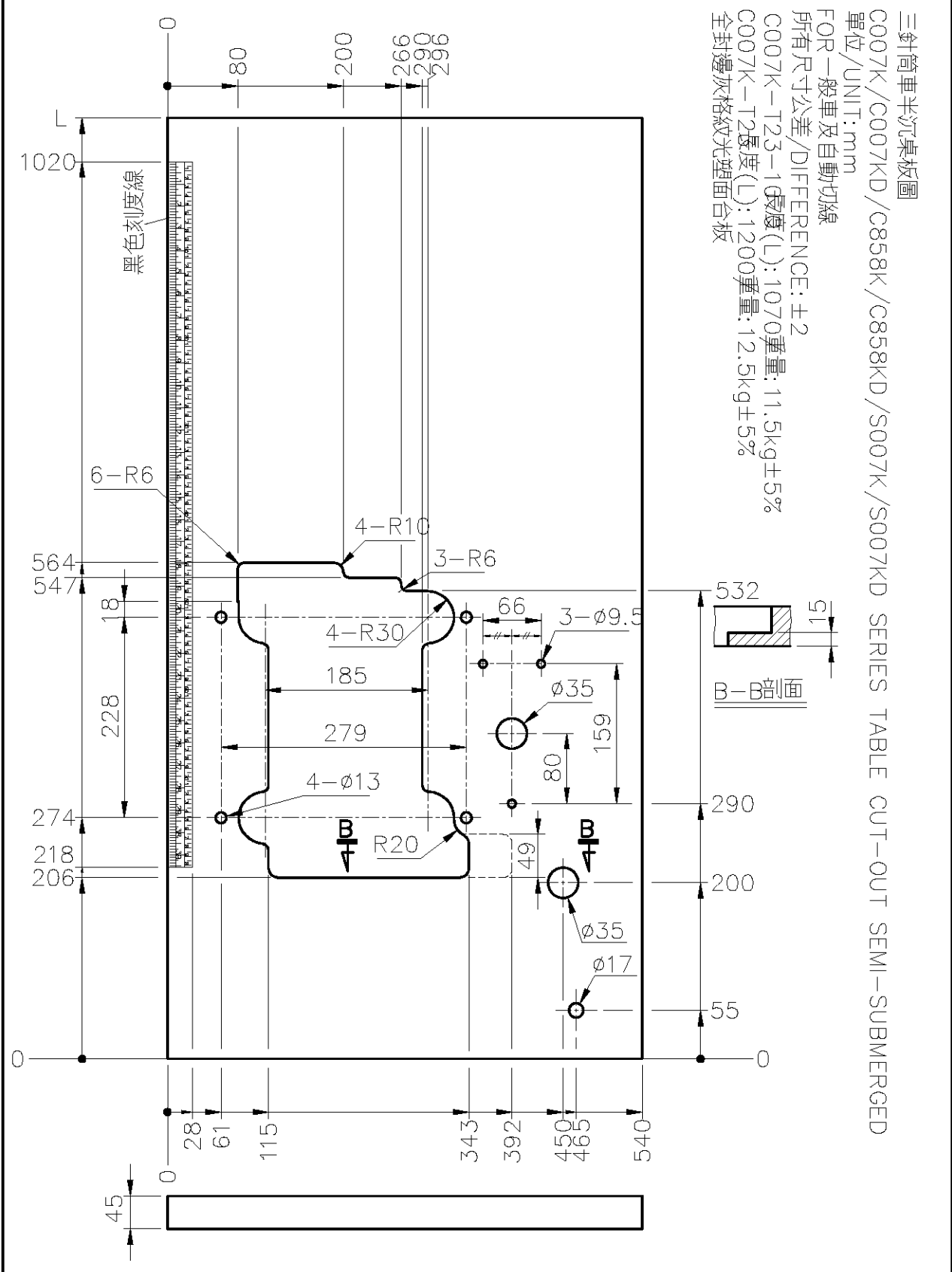
S007K-T2-1070長度(L):1070/重量:11.5kg±5%

S007K-T2長度(L):1200/重量:12.5kg±5%

全封邊灰格紋光塑面台板



SIRUBA TABLE CUT - OUT	Series	Item Code	Subclass / Remark	Mounting
	C007K/C007KD C858K/C858KD S007K/S007KD	C007K-T23	For All Series	Semi-submerged
				Date
				2013/01/28



SIRUBA TABLE CUT - OUT	Series	Item Code	Subclass / Remark	Mounting
	C007K/C007KD C858K/C858KD S007K/S007KD	C007K-T25	For All Series excluding ① RLP,RLQ Celastic tape attaching ② CRL Models ③ Condensed stitch(CAR,CMR,SAR,SER...)	Non-submerged
	Date			
2013/01/26				

三針筒車上乘桌板圖
C007K/C007KD/C858K/C858KD/S007K/S007KD SERIES TABLE CUT-OUT SEMI-SUBMERGED
單位/UNIT:mm
FOR CRL,CRL/UTP,Q
所有尺寸公差/DIFFERENCE:±2
C007K-T25-1070長度(L):1070/重量:11.3kg±5%
C007K-T25長度(L):1200/重量:12.3kg±5%
全封邊灰格紋光塑面台板

