




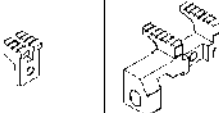

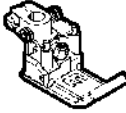








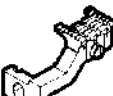







SIRUBA GAGE PARTS LIST		Series			Remark					Page	Date
		S007K / S007KD								1 / 1	2013/01/05
MODEL	SUB-CLASS	NEEDLE CLAMP	NEEDLE PLATE	MAIN FEED DOG	DIFF. FEED DOG		PRESSER FOOT	LOOPER	LOOPER	NEEDLE	
機 型	規 格	針 座	針 板	主 送 具	差 送 具		押 具	勾 針	一 叉	針 號	
S007K(KD)	W121/PCH-3M	24C	M524C	E4094K	D4324K	F4387K	H4307K	P2574-A	MTC1	MH41	UYX128GAS#10
		248	M5248	E4095K	D4324K	H4387K	H4307K	P2574-A			
		356	M5356	E4096K	D4325K	H4379K	H4308K	P2576-A			
		364	M5364	E4097K	D4325K	H4370K	H4308K	P2576-A			
	W122/PCH-3M	24C	M524C	E3994K	D4324K	F4387K	H4307K	P2574-A	MTC1	MH41	UYX128GAS#10
		248	M5248	E3995K	D4324K	H4387K	H4307K	P2574-A			
		356	M5356	E3996K	D4325K	H4379K	H4308K	P2576-A			
		364	M5364	E3997K	D4325K	H4370K	H4308K	P2576-A			
	W122/PCH-3M/JTY	24C	M524C	E3994K	D4324K	F4387K	H4307K	P2574-A	MTC1	MH41	UYX128GAS#10
		248	M5248	E3995K	D4324K	H4387K	H4307K	P2574-A			
356		M5356	E3996K	D4325K	H4379K	H4308K	P2576-A				
364		M5364	E3997K	D4325K	H4370K	H4308K	P2576-A				
W321/PCE	24C	M524C	E4064K	D4324K	H4487K	H4307K	P2574-A	MTC1	MH41	UYX128GAS#10	
	248	M5248	E4065K	D4324K	H4487K	H4307K	P2574-A				
	356	M5356	E4066K	D4325K	H4479K	H4308K	P2576-A				
	364	M5364	F4067K	D4325K	H4479K	H4308K	P2576-A				
W322/PCE	24C	M524C	E3964K	D4324K	H4487K	H4307K	P2574-A	MTC1	MH41	UYX128GAS#10	
	248	M5248	E3965K	D4324K	H4487K	H4307K	P2574-A				
	356	M5356	E3966K	D4325K	H4479K	H4308K	P2576-A				
	364	M5364	E3967K	D4325K	H4479K	H4308K	P2576-A				
W922/CW	456	M5456K	E4076K	D4325K	H4379K	H4308K	P2528-A	MTC1B	MH41	SMX1014B#10	
	46C	M5460K	E4077K	D4325K	H4379K	H4308K	P2538-A				
	464	M5464K	E4078K	D4325K	H4379K	H4308K	P2548-A				

SIRUBA GAGE PARTS LIST		Series					Remark					Page	Date
		S007KD					USE FOR FFT					1/2	2012/11/01
													
MODEL	SUB-CLASS	NEEDLE CLAMP	NEEDLE PLATE	MAIN FEED DOG	DIFF. FEED DOG		TOP FEED DOG	PRESSER FOOT	LOOPER	SPREADER	NEEDLE		
機型	規格	針座	針板	主送具	差送具		上送具	壓具	勾針	上叉	使用針		
WL22/FFT	240 248 356 364	M524C M5248 M5356 M5364	F3994K F3995K E3996K E3997K	D4324K D4325K	H4387K H4379K	F4307K F4308K	F7240N F7356N	P724CN-A P7248N-A P7356N-A P7364N-A	MF01	MH41	UYX128GAS#10		
WL22/FFT /UTT(UTX)	240 248 356 364	M524C M5248 M5356 M5364	E3994K F3995K F3996K F3997K	D4324K D4325K	H4387K H4379K	F4307K F4308K	F7240N F7356N	P724CN-A P7248N-A P7356N-A P7364N-A	ME28	MH41	UYX128GAS#10		
WL23/FFT	240 248 356 364	M524C M5248 M5356 M5364	E4094K E4095K F4096K F4097K	D4324K D4325K	H4387K H4379K	F4307K F4308K	F7240N F7356N	P724CN-A P7248N-A P7356N-A P7364N-A	MF28	MH41	UYX128GAS#10		
WL23/FFT /UTT(UTX)	240 248 356 364	M524C M5248 M5356 M5364	E4094K E4095K E4096K F4097K	D4324K D4325K	H4387K H4379K	F4307K F4308K	F7240N F7356N	P724CN-A P7248N-A P7356N-A P7364N-A	MF28	MH41	UYX128GAS#10		

SIRUBA GAGE PARTS LIST		Series			Remark						Page	Date
		S007KD			USE FOR FFT						2/2	2012/11/01
												
MODFI	SUB-CLASS	NEEDLE CLAMP	NEEDLE PLATE	MAIN FEED DOG	DIFF. FEED DOG	TOP FEED DOG	PRESSER FOOT	LOOPER	SPREADER	NEEDLE		
機 型	規 格	針 座	針 板	上送具	差送具	上送具	壓 具	勾 針	二 叉	使 用 針		
W131/FFT	240 248 356 364	M524C M5248 M5356 M5364	E7240SL E7248SL E7356SL E7364SL	D7240S	H724CS	F7240F	P/240I-A P7248F-A P7356F-A P7364F-A	ME28	MH41	JYX128GAS#10		
W131/UTT /UTT(UTX)	240 248 356 364	M524C M5248 M5356 M5364	E7240SL E7248SL E7356SL E7364SL	D7240S	H724CS	F7240F	P/240F-A P7248F-A P7356F-A P7364F-A	ME28	MH41	JYX128GAS#10		
W132/FFT	240 248 356 364	M524C M5248 M5356 M5364	E7240SM E7248SM F7356SM F7364SM	D7240S	H724CS	F7240F	F7240F-A F7248F-A F7356F-A F7364F-A	MT01	MH41	JYX128CAS#10		
W132/FFT /UTT(UTX)	240 248 356 364	M524C M5248 M5356 M5364	E7240SM E7248SM E7356SM E7364SM	D7240S	H724CS	F7240F	F7240F-A F7248F-A F7356F-A F7364F-A	ME28	MH41	JYX128GAS#10		

**SIRUBA**

PARTS LIST

Series

Parts Group

Subclass / Remark

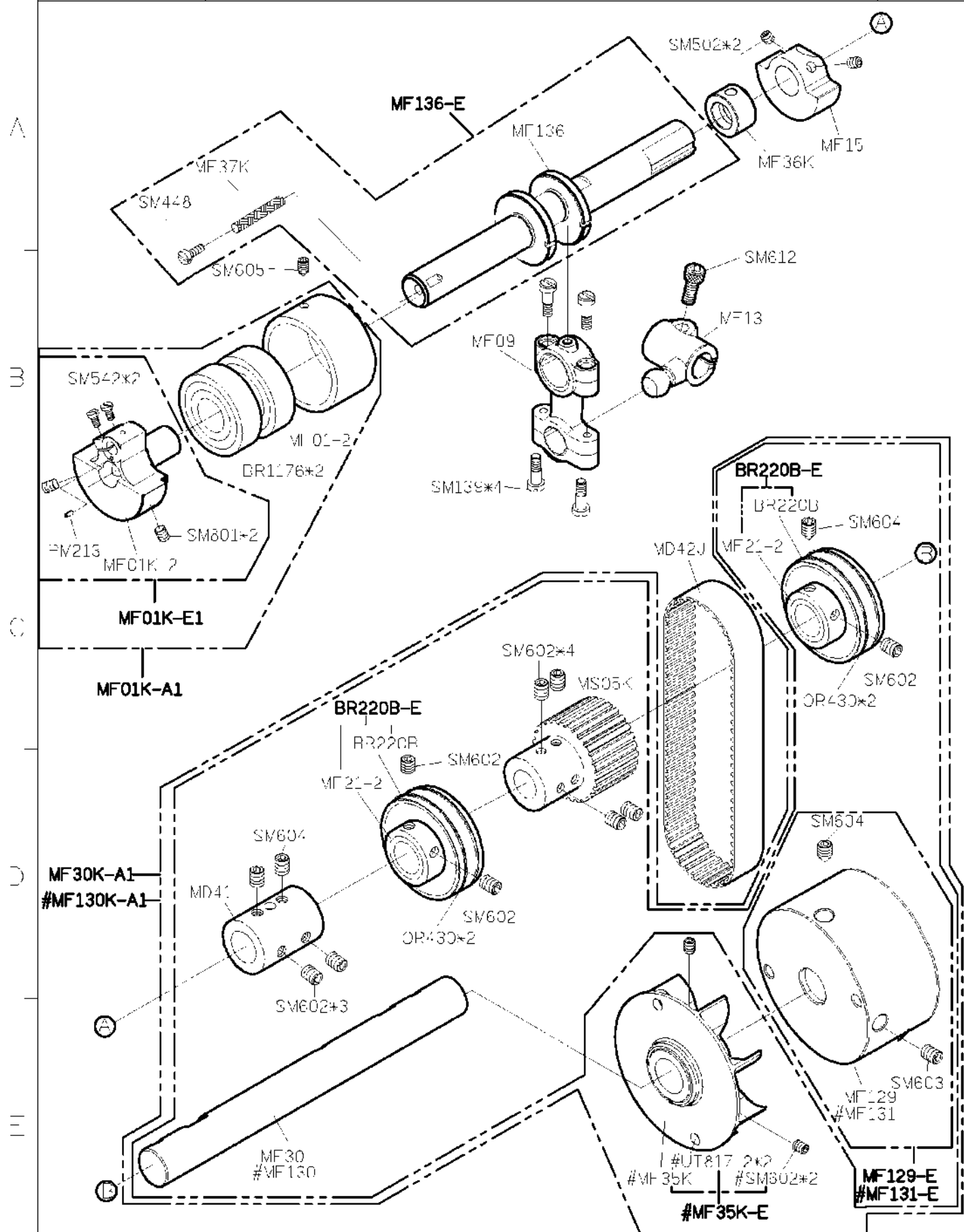
Page

1/1

Date

**S007K/S007KD MF-K** For S007K/S007KD 2<sup>nd</sup> Generation  
# :Use for S007KD 2<sup>nd</sup> Generation

2012/10/31



**SIRUBA**

**PARTS LIST**

Series

Parts Group

Subclass / Remark

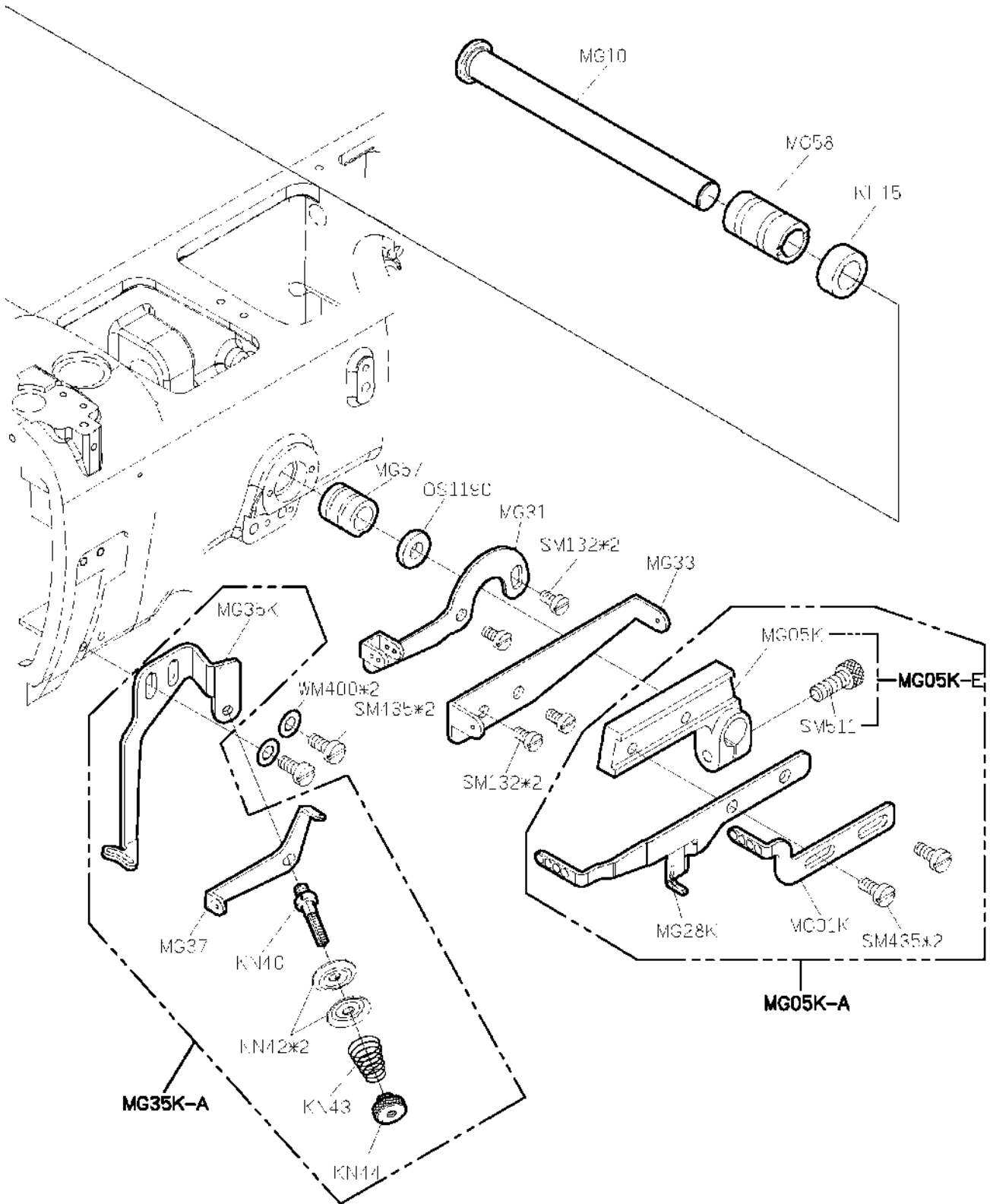
Page

1/1

Date

**S007K/S007KD MG-K** For S007K/S007KD 2<sup>nd</sup> Generation

2012/10/31



**SIRUBA**

**PARTS LIST**

Series

Parts Group

Subclass / Remark

Page

1/1

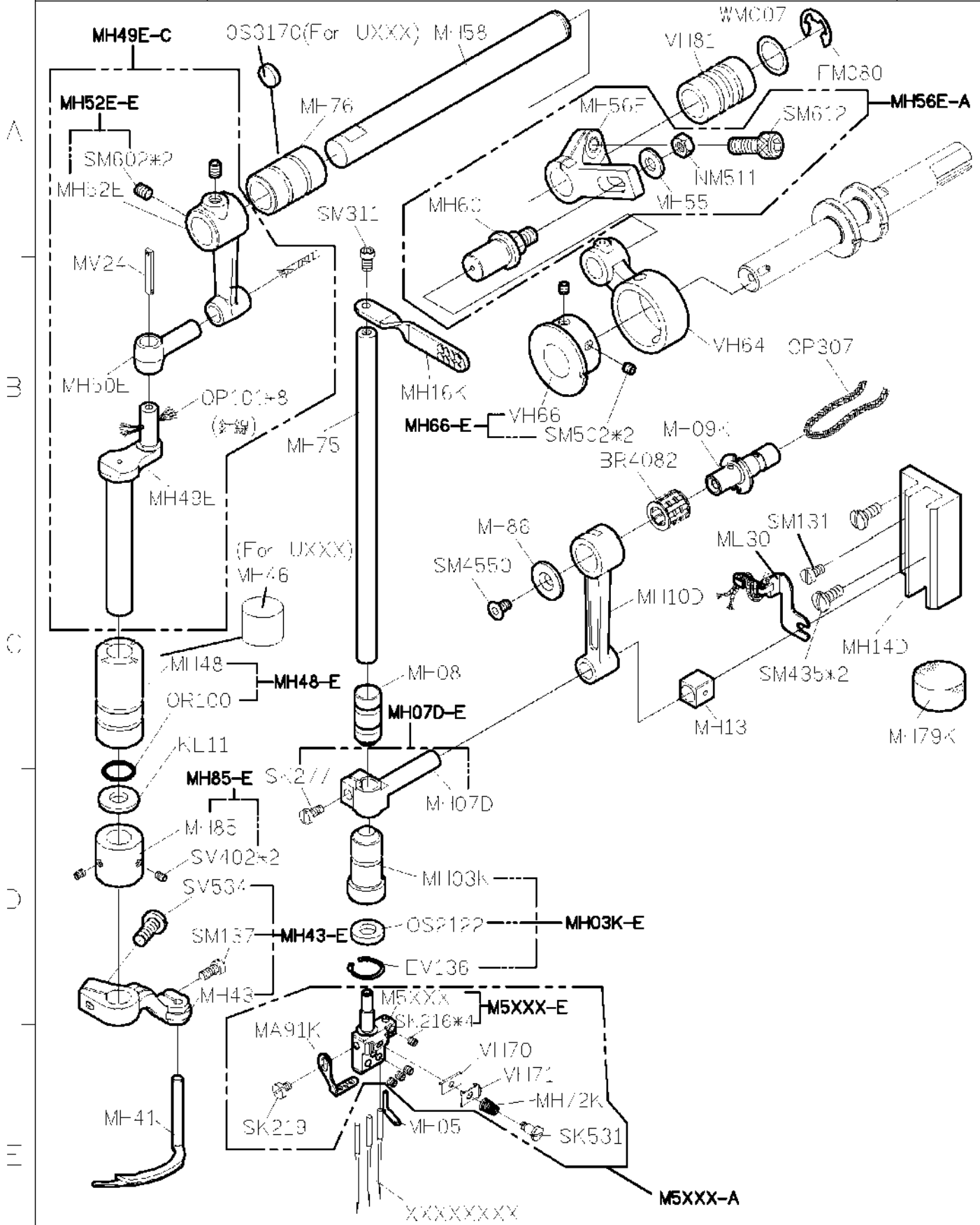
Date

**S007K/S007KD**

**MH-K**

For S007K/S007KD 2<sup>nd</sup> Generation

2012/10/31





**SIRUBA**

PARTS LIST

Series

S007K/S007KD

Parts Group

**MJ-K**

Subclass / Remark

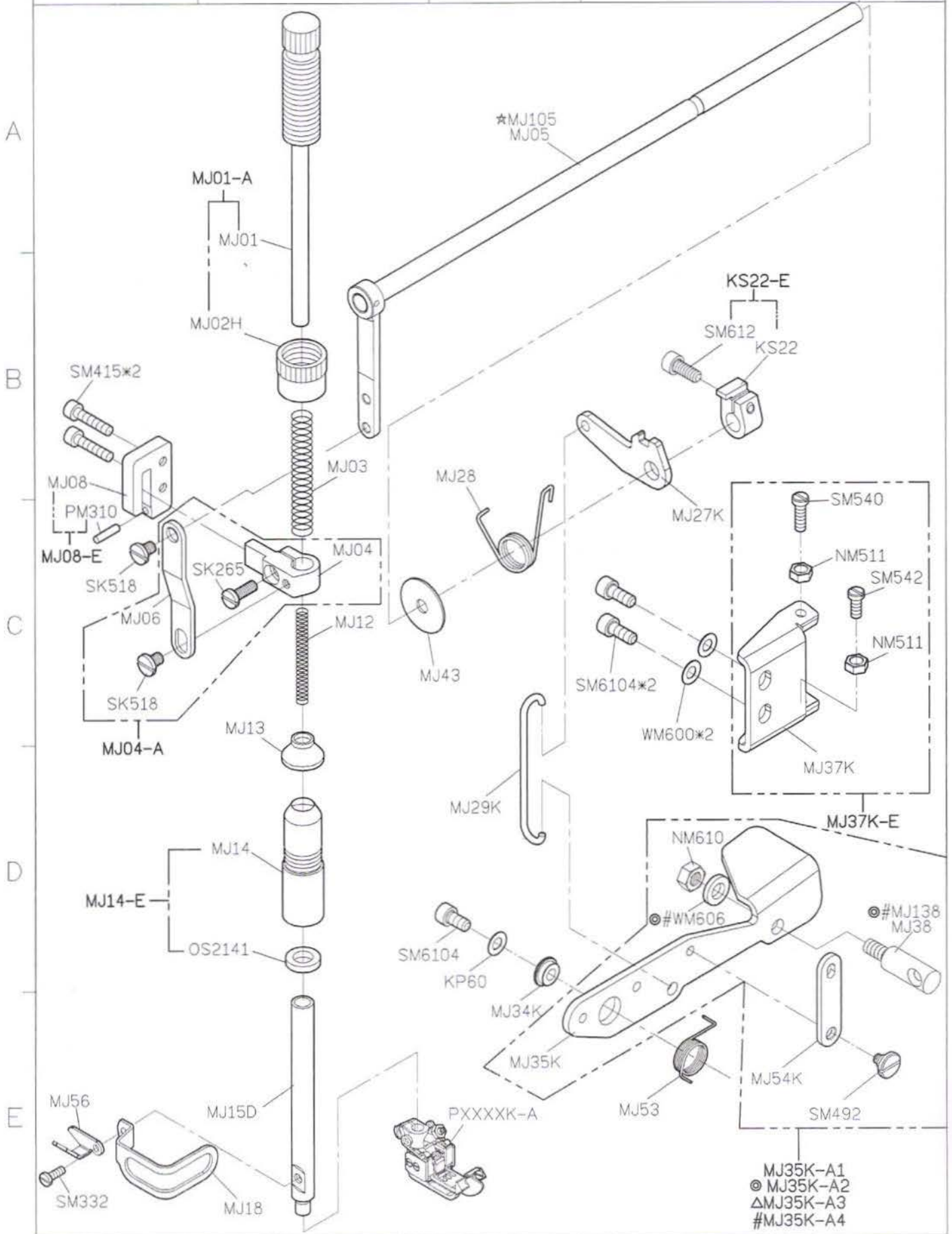
For S007K/S007KD 2<sup>nd</sup> Generation  
☆: Use for S007KD 2<sup>nd</sup> Generation  
⊙: Use for S007KD-UT 2<sup>nd</sup> Generation  
#: Use for S007KD 2<sup>nd</sup> Generation not for UT  
△: Use for S007K-UT 2<sup>nd</sup> Generation

Page

1/1

Date

2013/01/18



**SIRUBA**

**PARTS LIST**

Series

Parts Group

Subclass / Remark

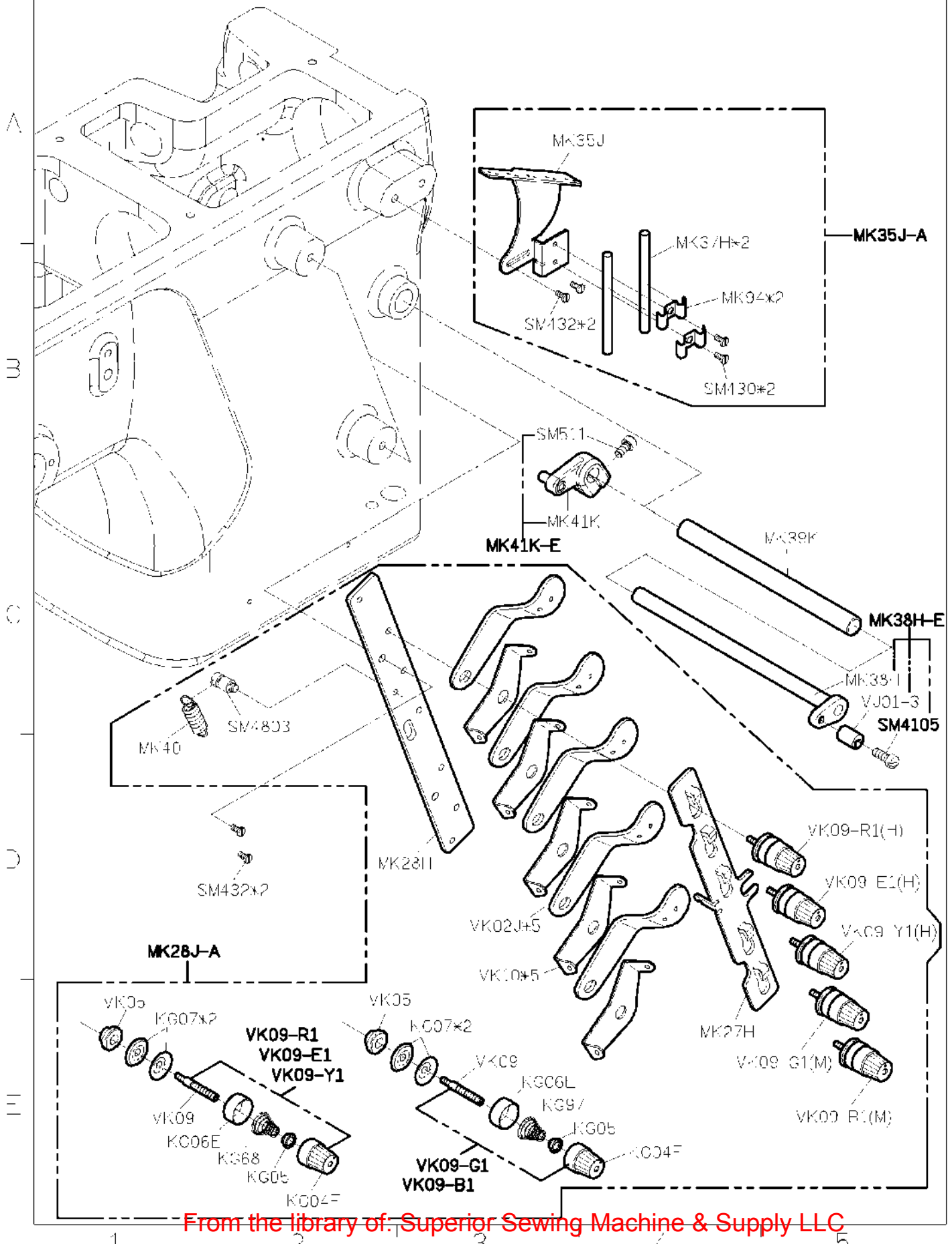
Page

1/1

Date

**S007K/S007KD MK-K For S007K/S007KD 2<sup>nd</sup> Generation**

2012/10/31





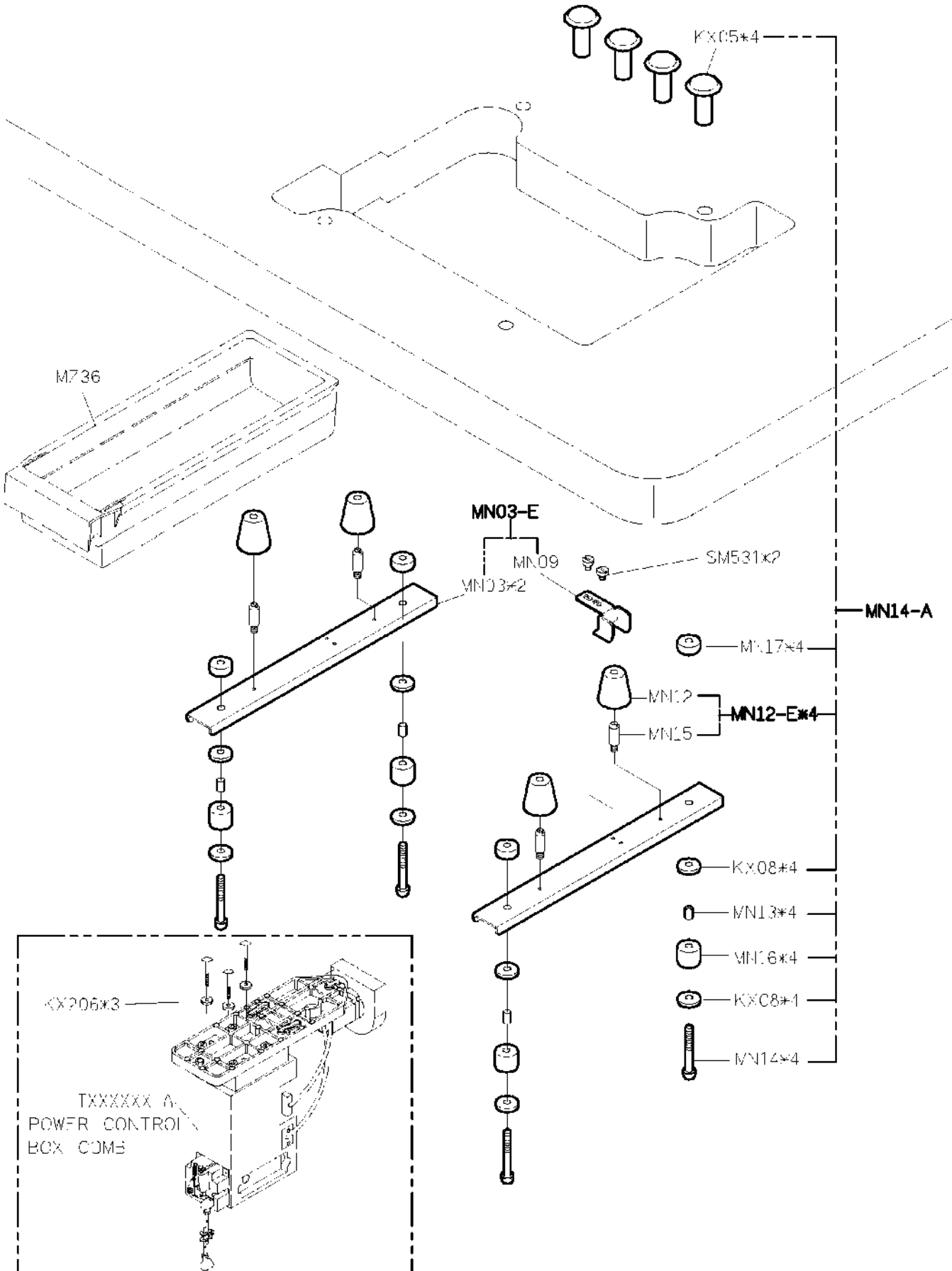
A

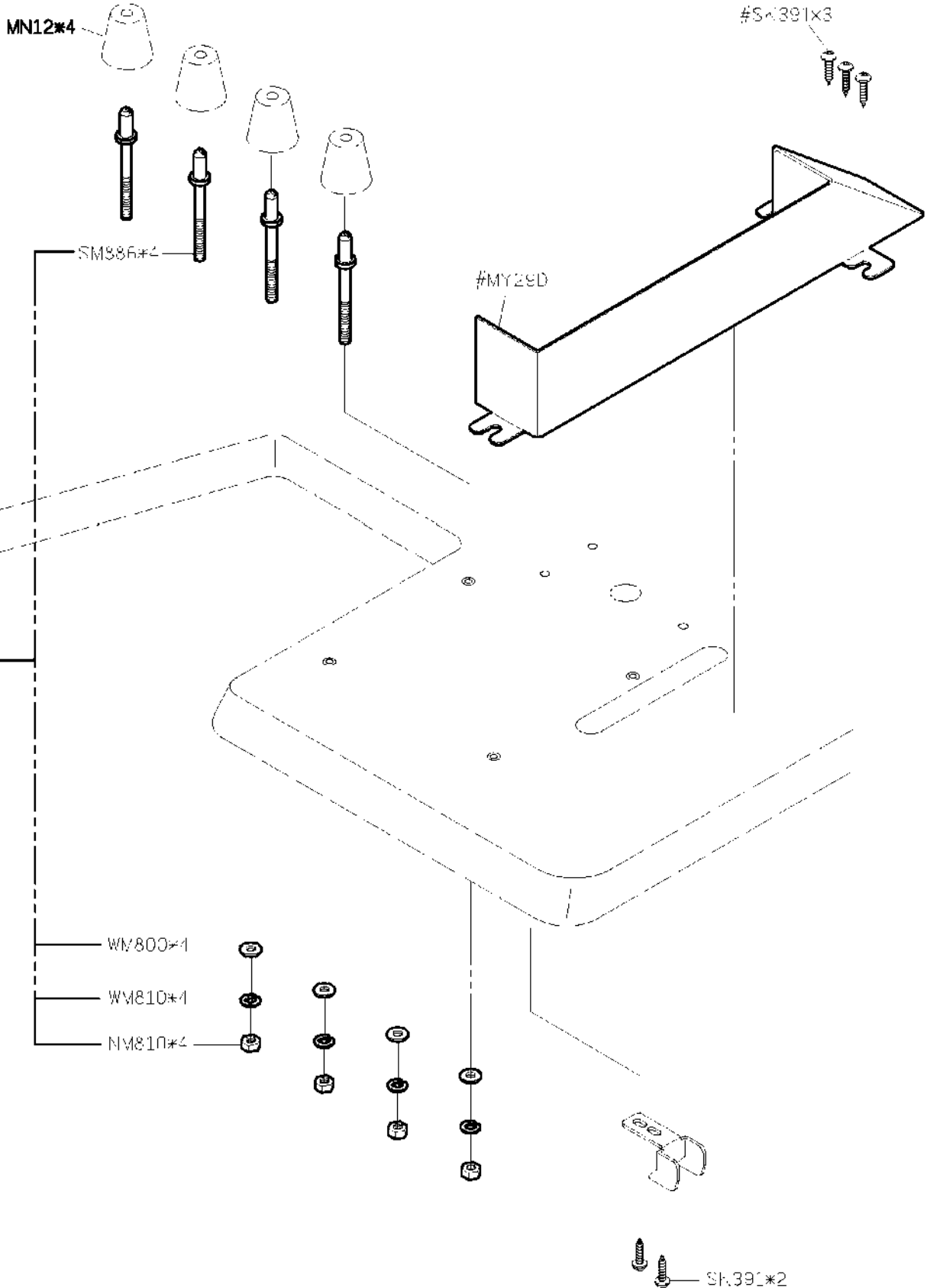
W

C

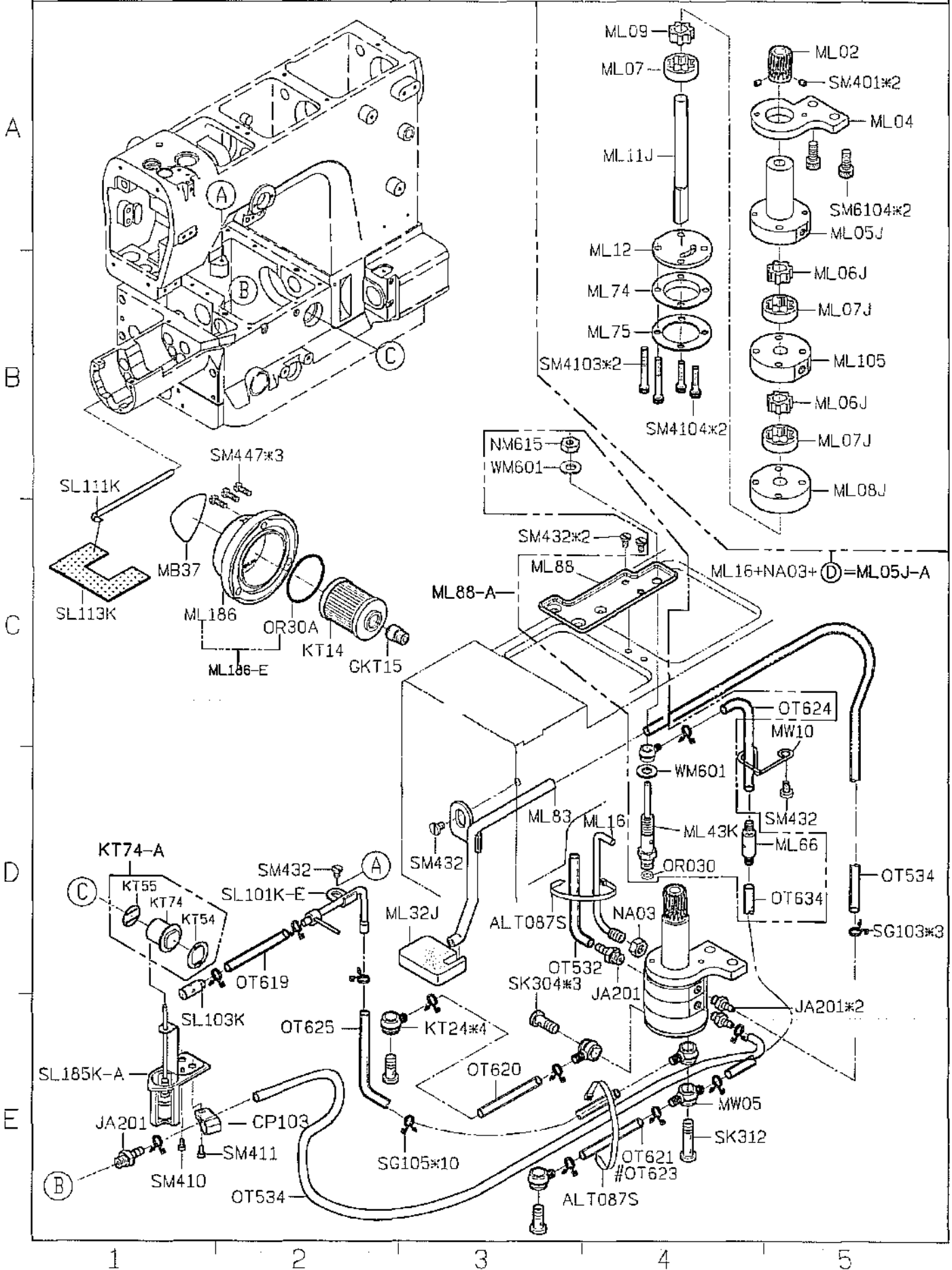
D

III

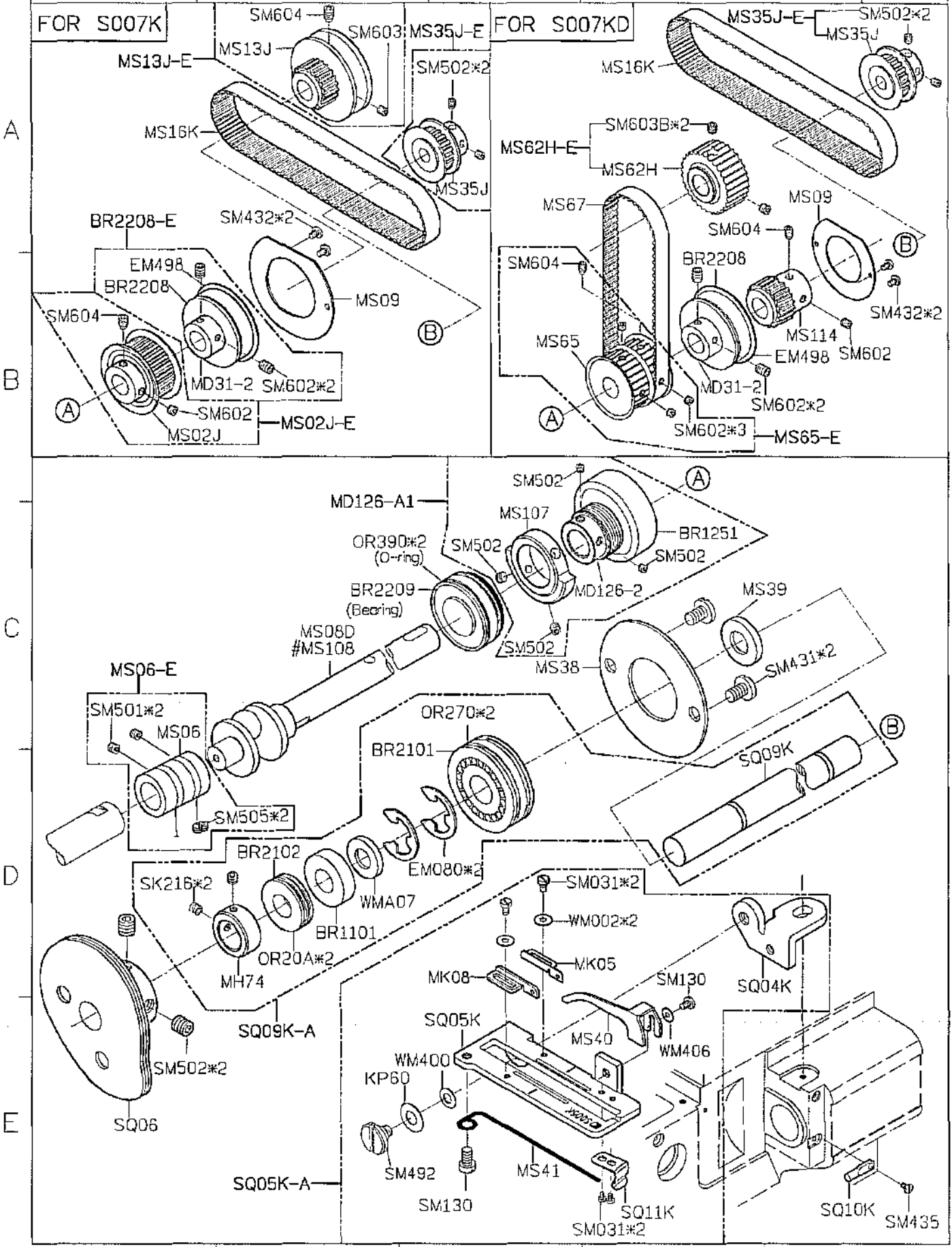




SIRUBA PARTS LIST	Series S007K/S007KD	Parts Group SL-K	Subclass / Remark For S007K/S007KD 2 <sup>nd</sup> Generation # :Use for S007KD 2 <sup>nd</sup> Generation	Page 1/1 Date 2013/02/27
----------------------	------------------------	---------------------	--	-----------------------------------

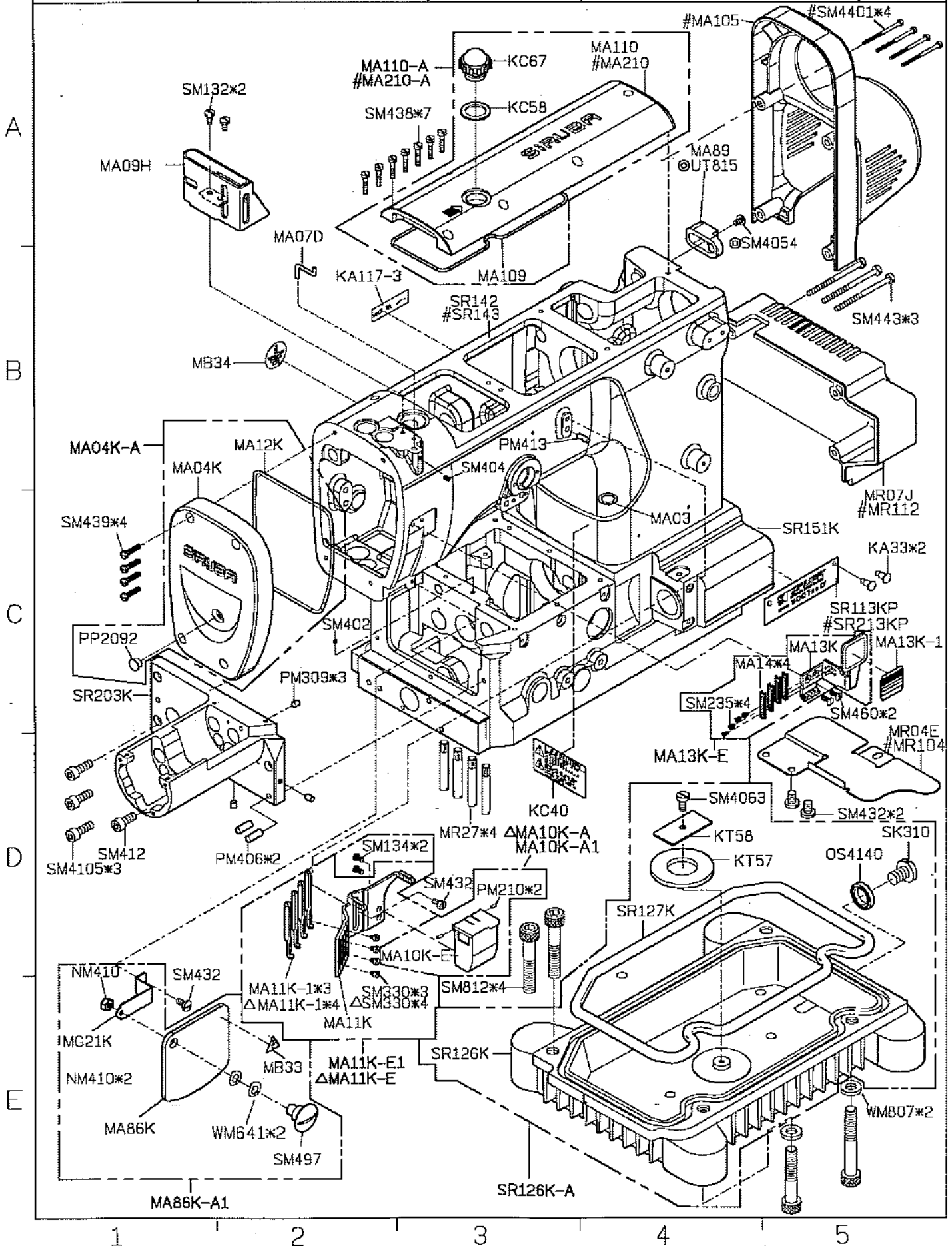


<b>SIRUBA</b> PARTS LIST	Series	Parts Group	Subclass / Remark	Page
	S007K/S007KD	SQ-K	# :Use for S007KD	1/1
				Date
				2013/02/26



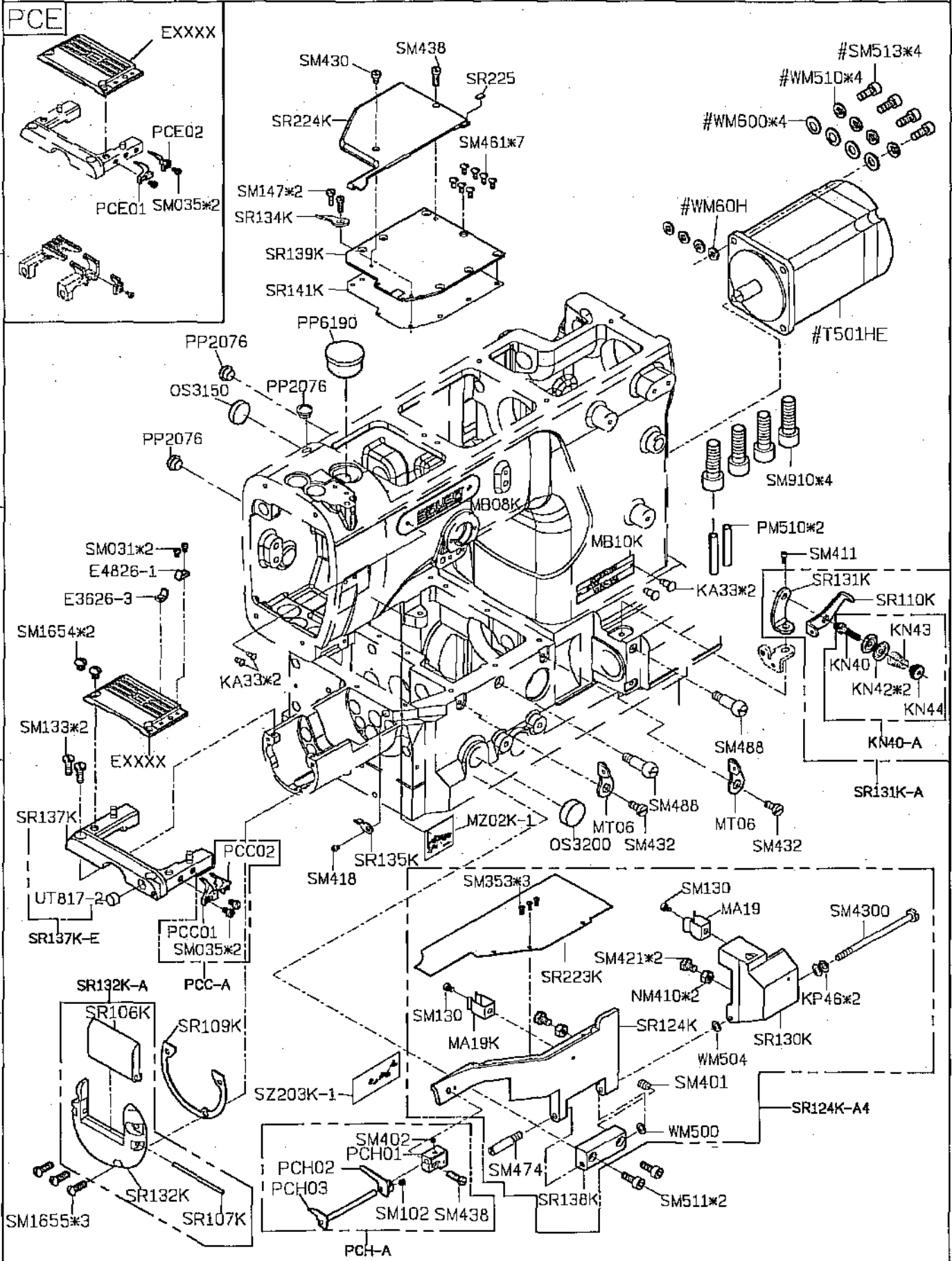
1 2 3 4 5

SIRUBA PARTS LIST	Series	Parts Group	Subclass / Remark	Page
	S007K/S007KD	<b>SR-K</b>	For S007K/S007KD 2 <sup>nd</sup> Generation # : Use for S007KD 2 <sup>nd</sup> Generation Δ : Use for SW ⊙ : Use for UT	1/2 Date 2013/04/10





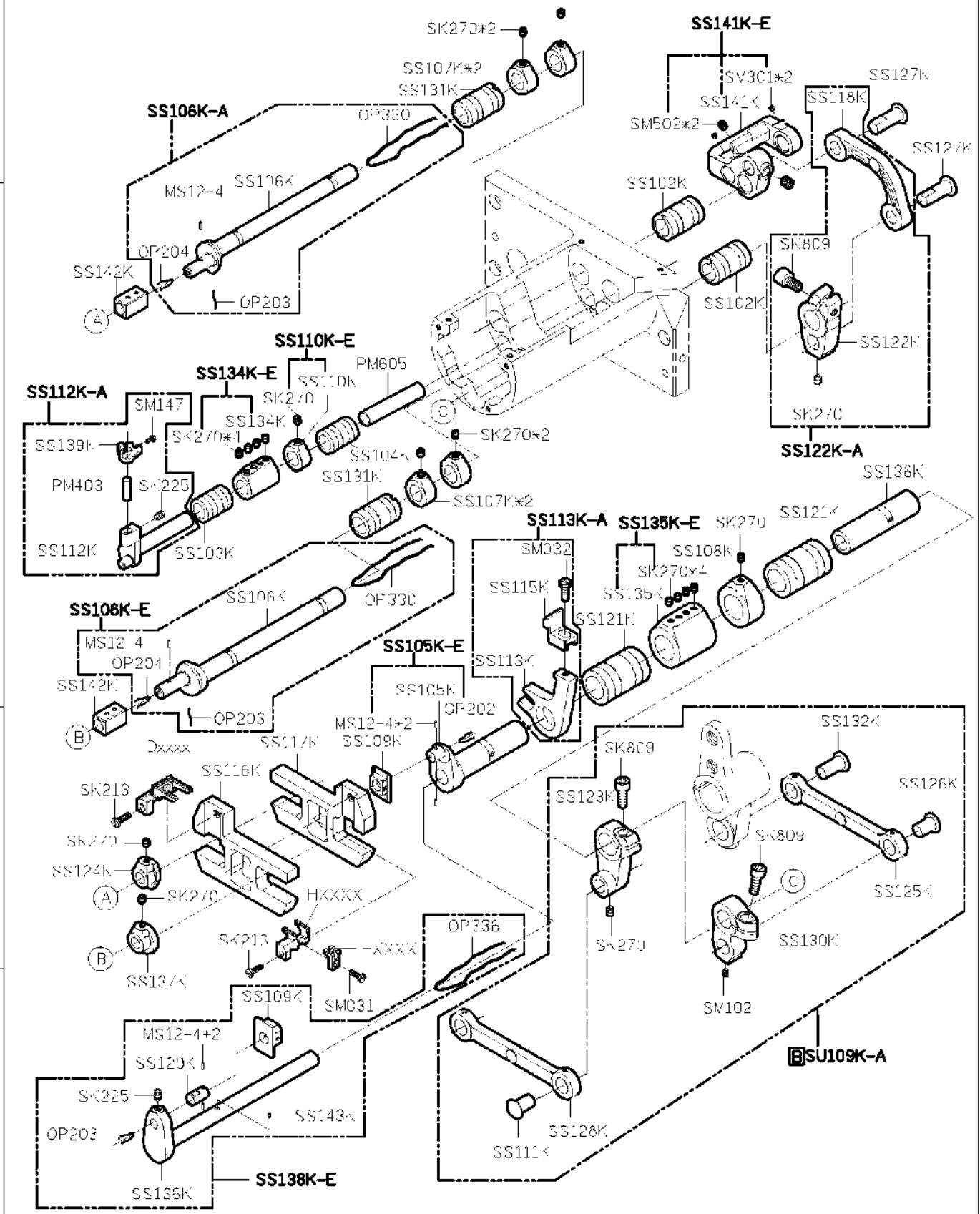
<b>SIRUBA</b> PARTS LIST	Series	Parts Group	Subclass / Remark	Page
	S007K/S007KD	<b>SR-K</b>	For S007K/S007KD 2 <sup>nd</sup> Generation	2/2
			# :Use for S007KD 2 <sup>nd</sup> Generation	Date
				2013/03/22





<b>SIRUBA</b>	Series	Parts Group	Subclass / Remark	Page
	PARTS LIST	<b>S007K/S007KD</b>	<b>SS-K</b>	1/1
				Date
				2012/10/31

A  
B  
C  
D  
E



**SIRUBA**

PARTS LIST

Series

S007K/S007KD **ST-K**

Parts Group

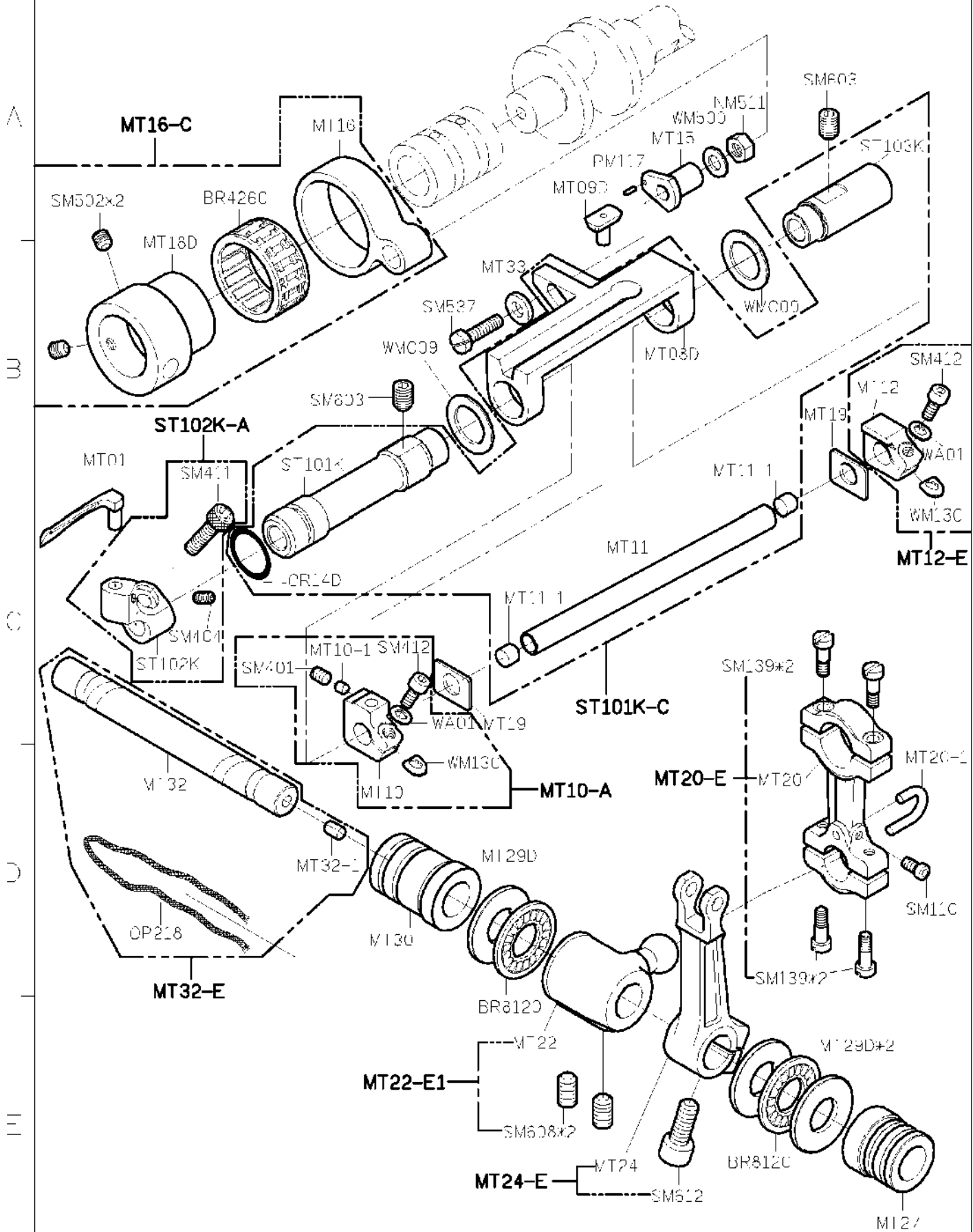
Subclass / Remark

Page



1/1


Date

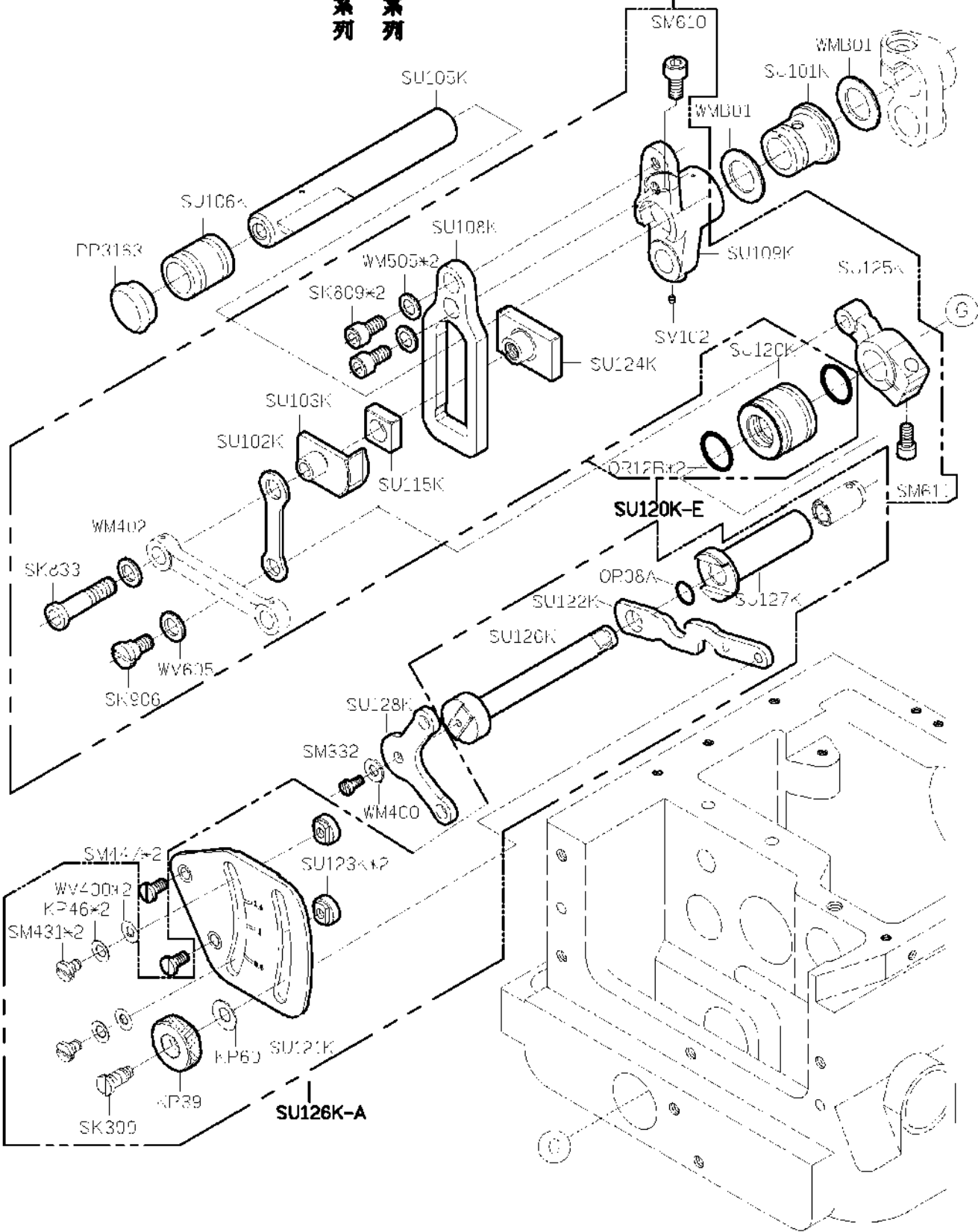
2012/10/31



A  
B  
C  
D  
E

 +  = SU109K-A1  
**SU** **SS**  
**系列** **系列**

 SU109K-A1



**SIRUBA**

PARTS LIST

Series

Parts Group

Subclass / Remark

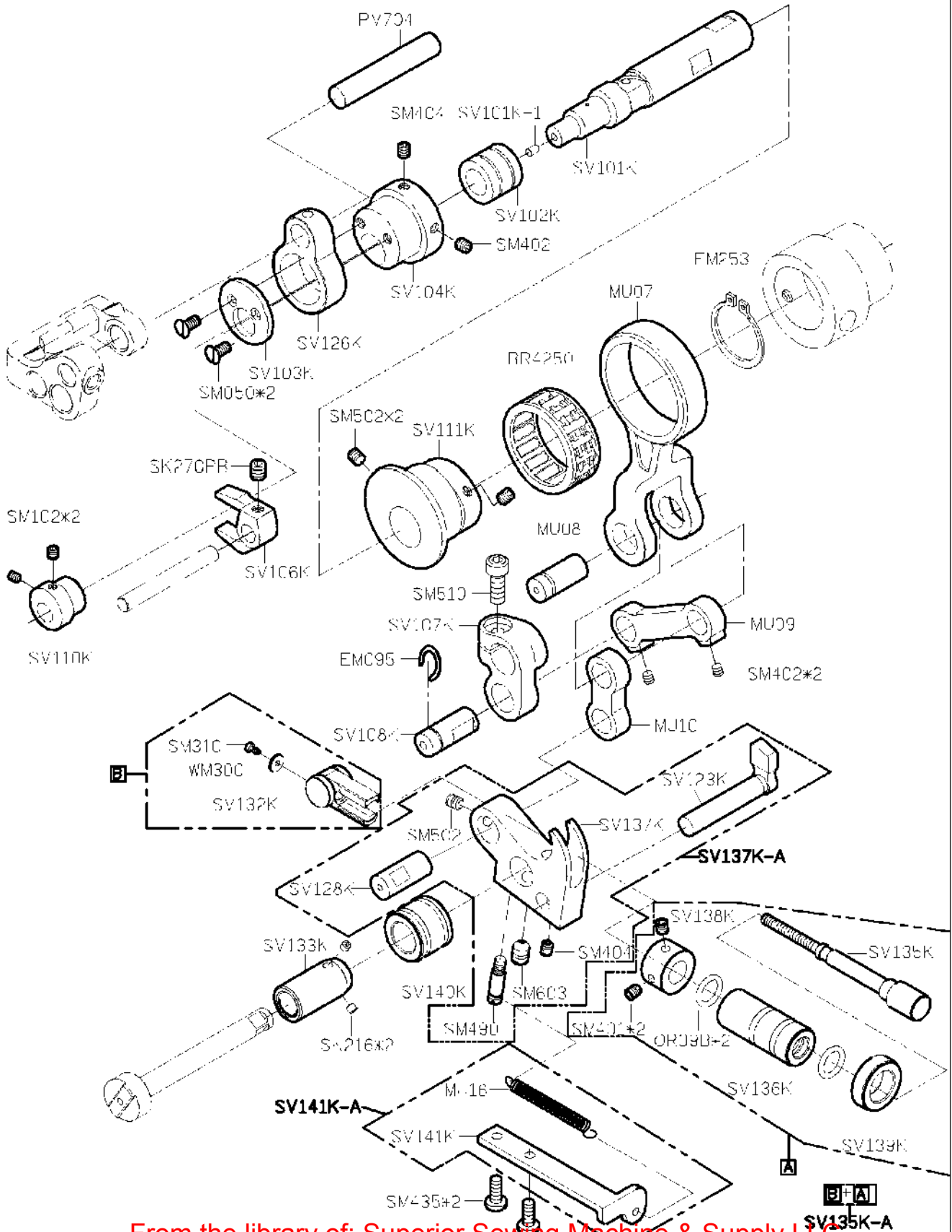
Page

1/1

Date

**S007K/S007KD SV-K For S007K/S007KD 2<sup>nd</sup> Generation**

2012/10/31



**SIRUBA**

PARTS LIST

Series

S007K/S007KD

Parts Group

**SY-K**

Subclass / Remark

For S007K/S007KD 2<sup>nd</sup> Generation

△ :Use for S007K

□ :Use for S007KD

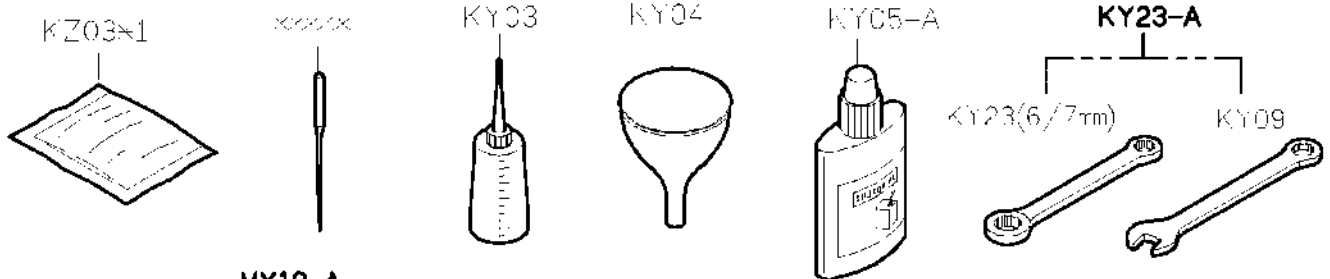
Page

1/1

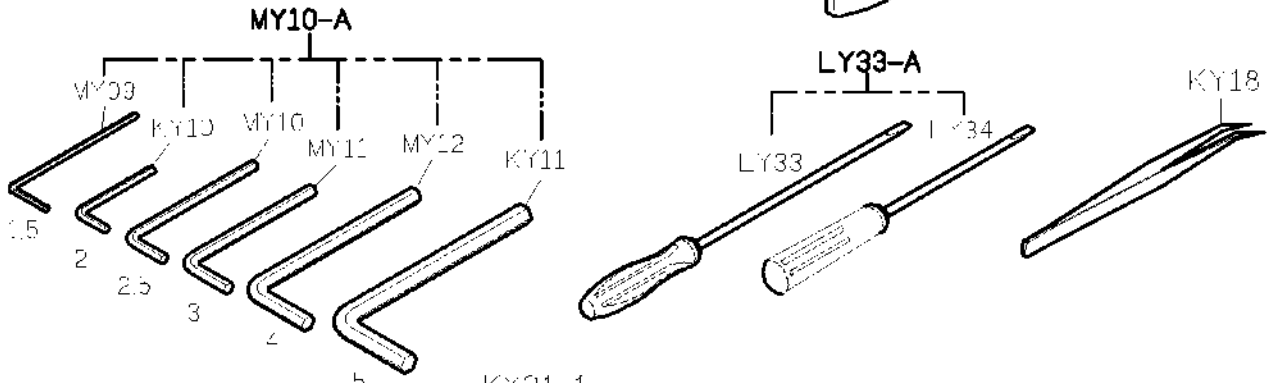
Date

2012/10/31

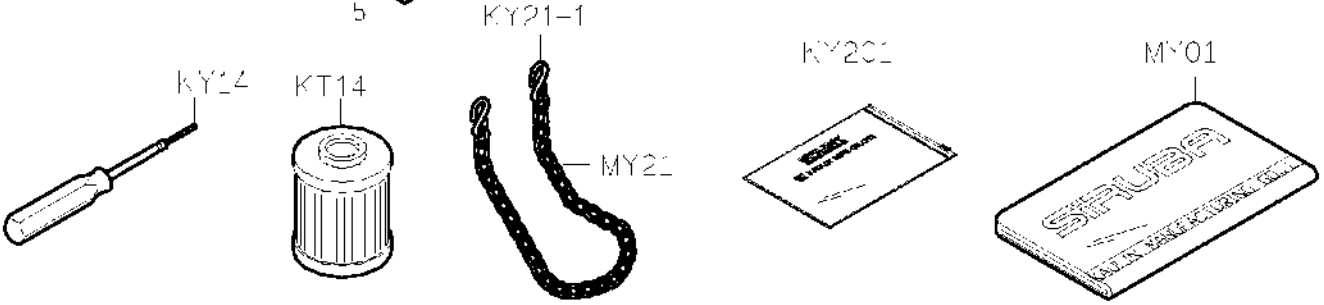
A



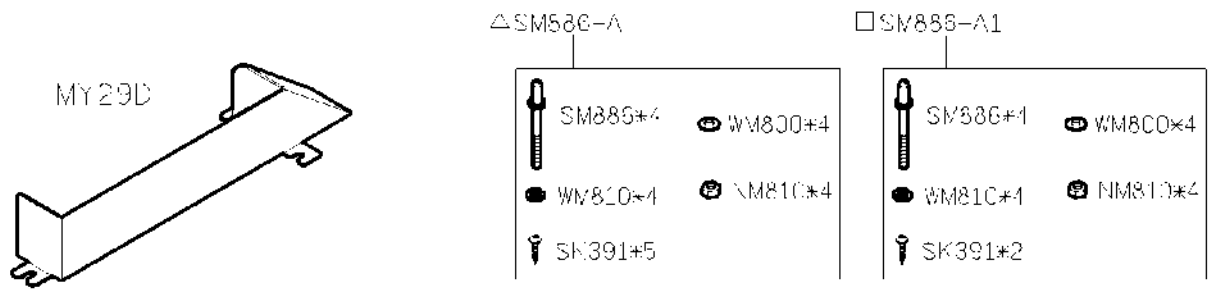
B



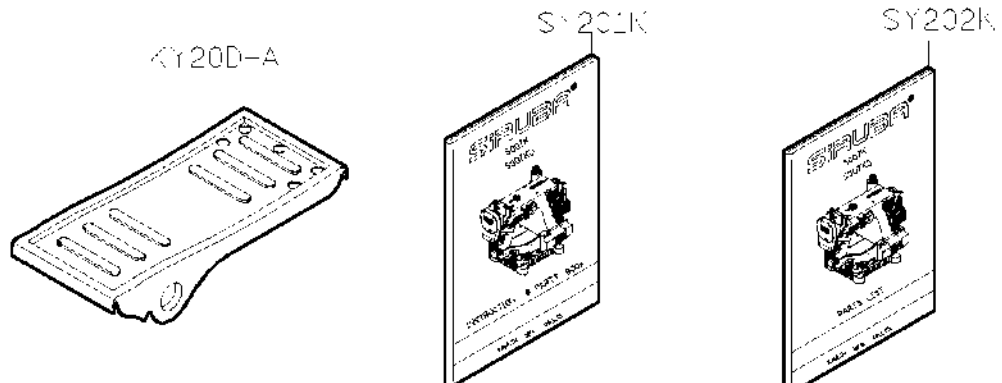
C



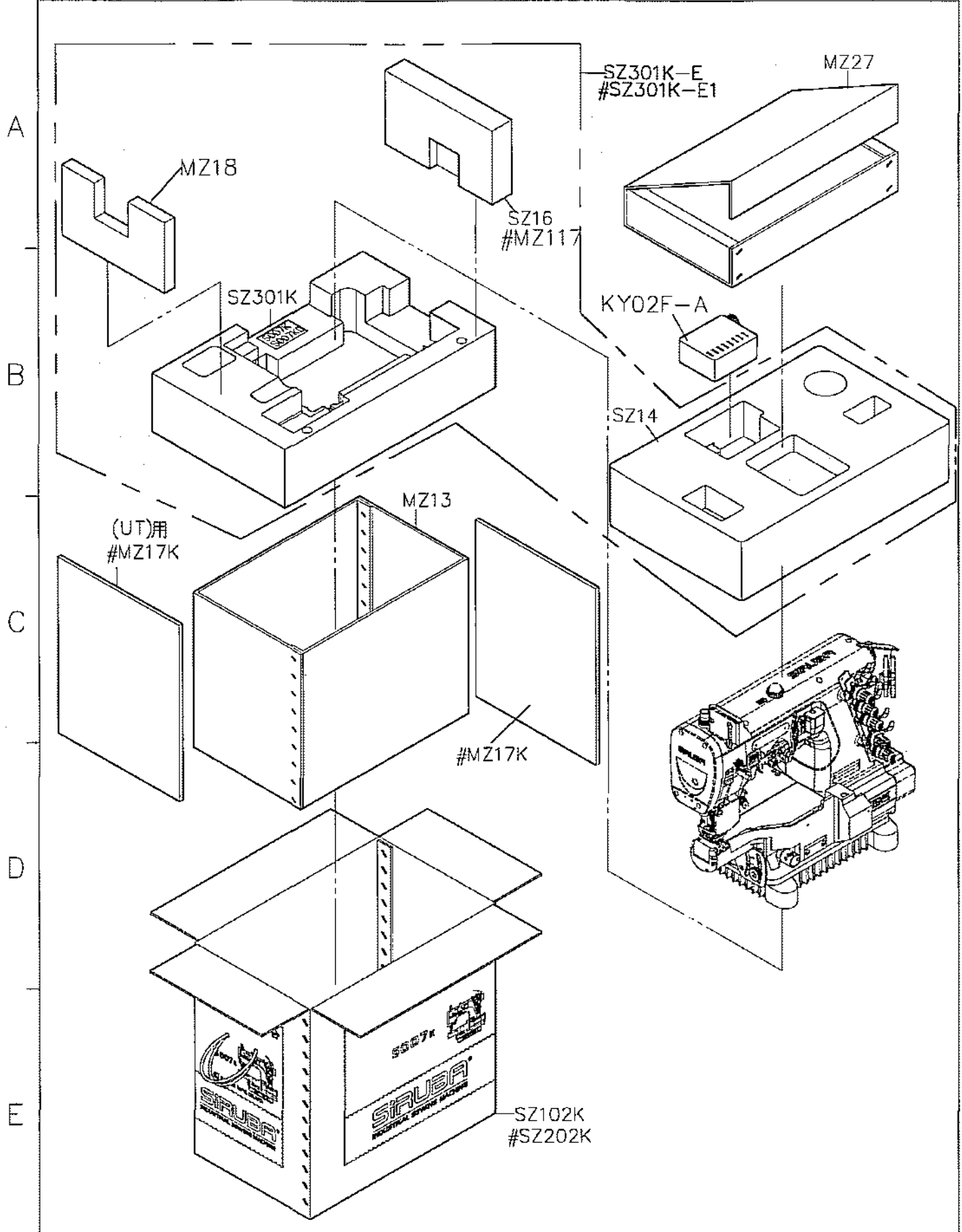
D



E



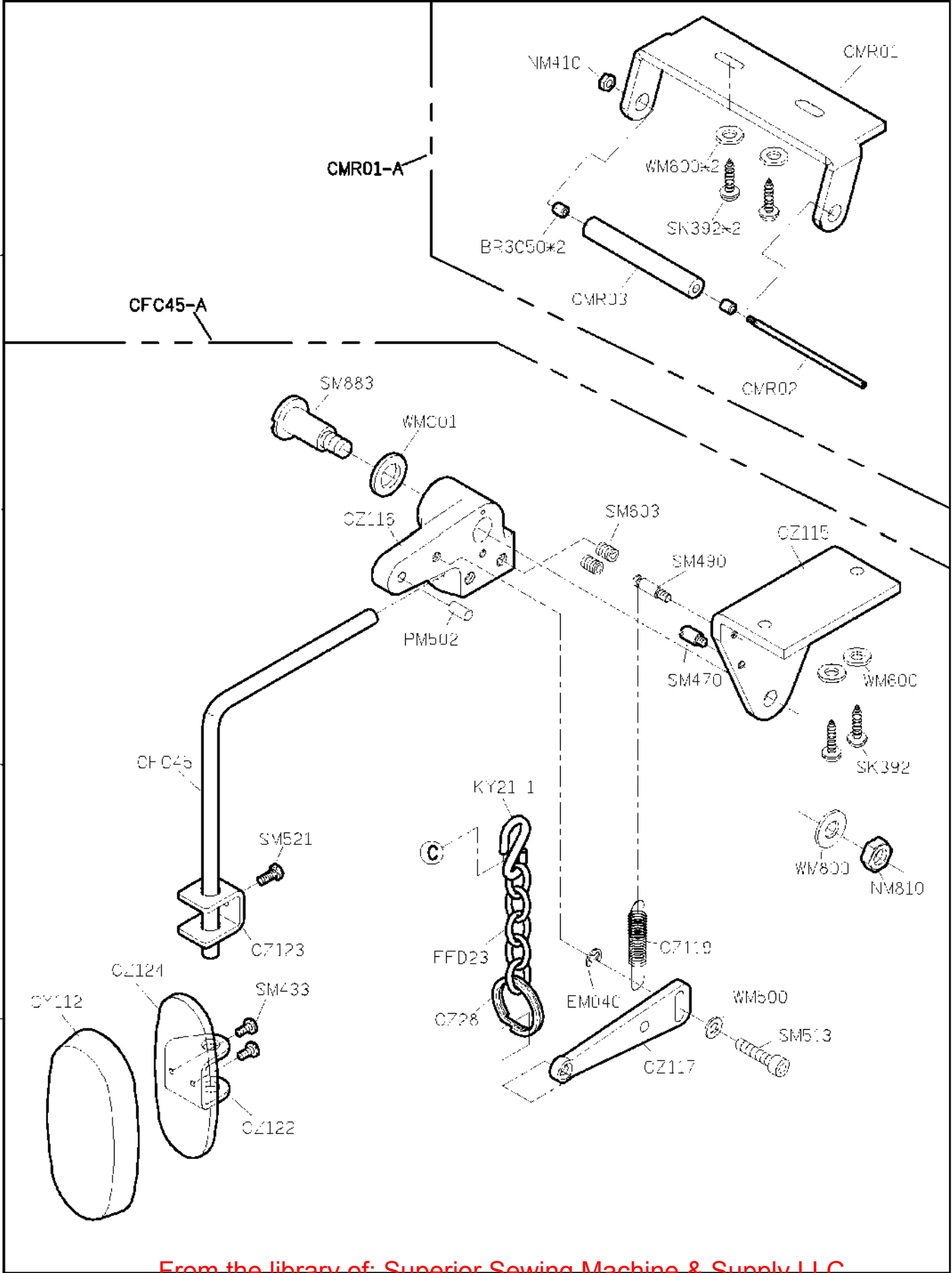
SIRUBA PARTS LIST	Series S007K/KD	Parts Group SZ-K	Subclass / Remark For S007K/S007KD 2 <sup>nd</sup> Generation #:Use for S007KD 2 <sup>nd</sup> Generation	Page 1/1 Date 2013/03/14
----------------------	--------------------	---------------------	---	-----------------------------------



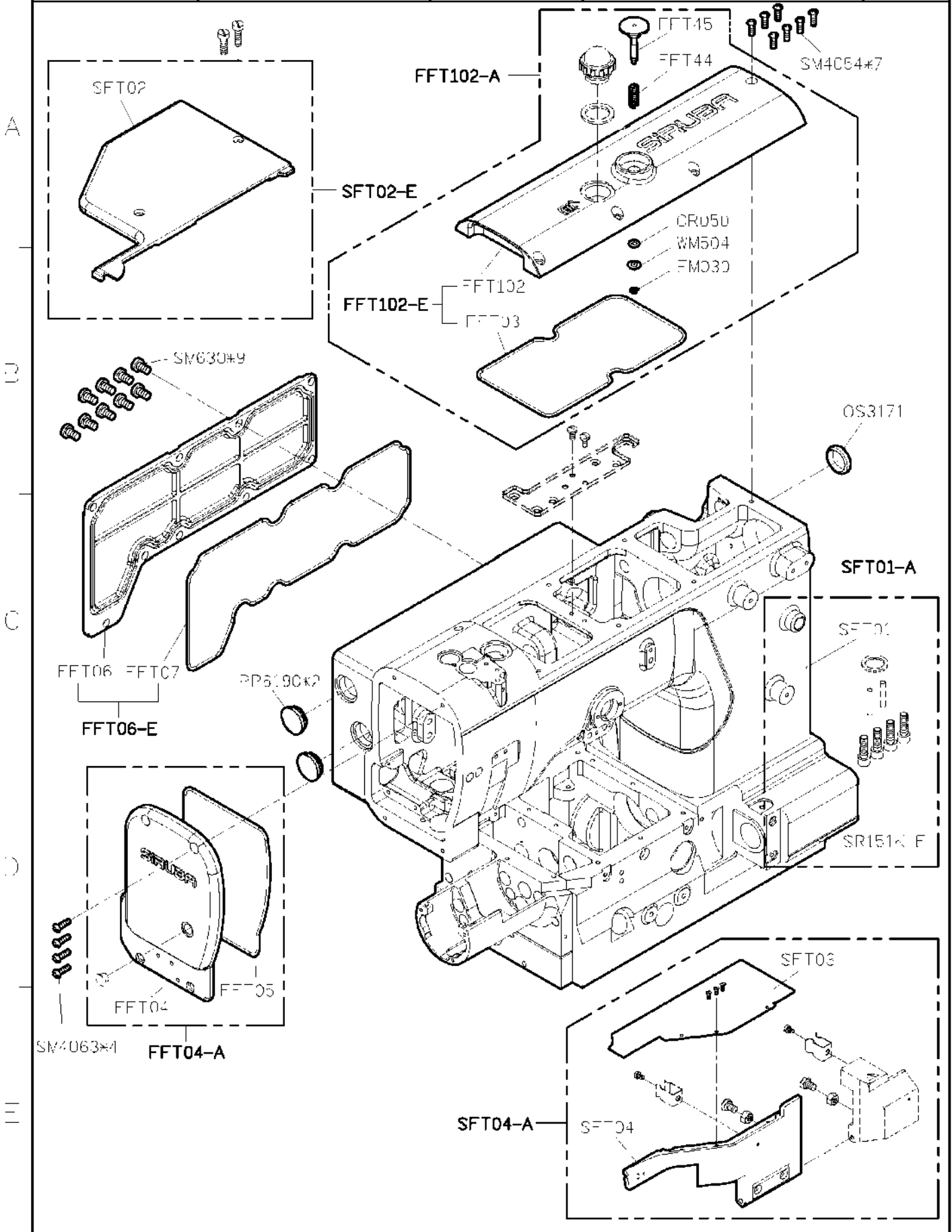
1 2 3 4 5



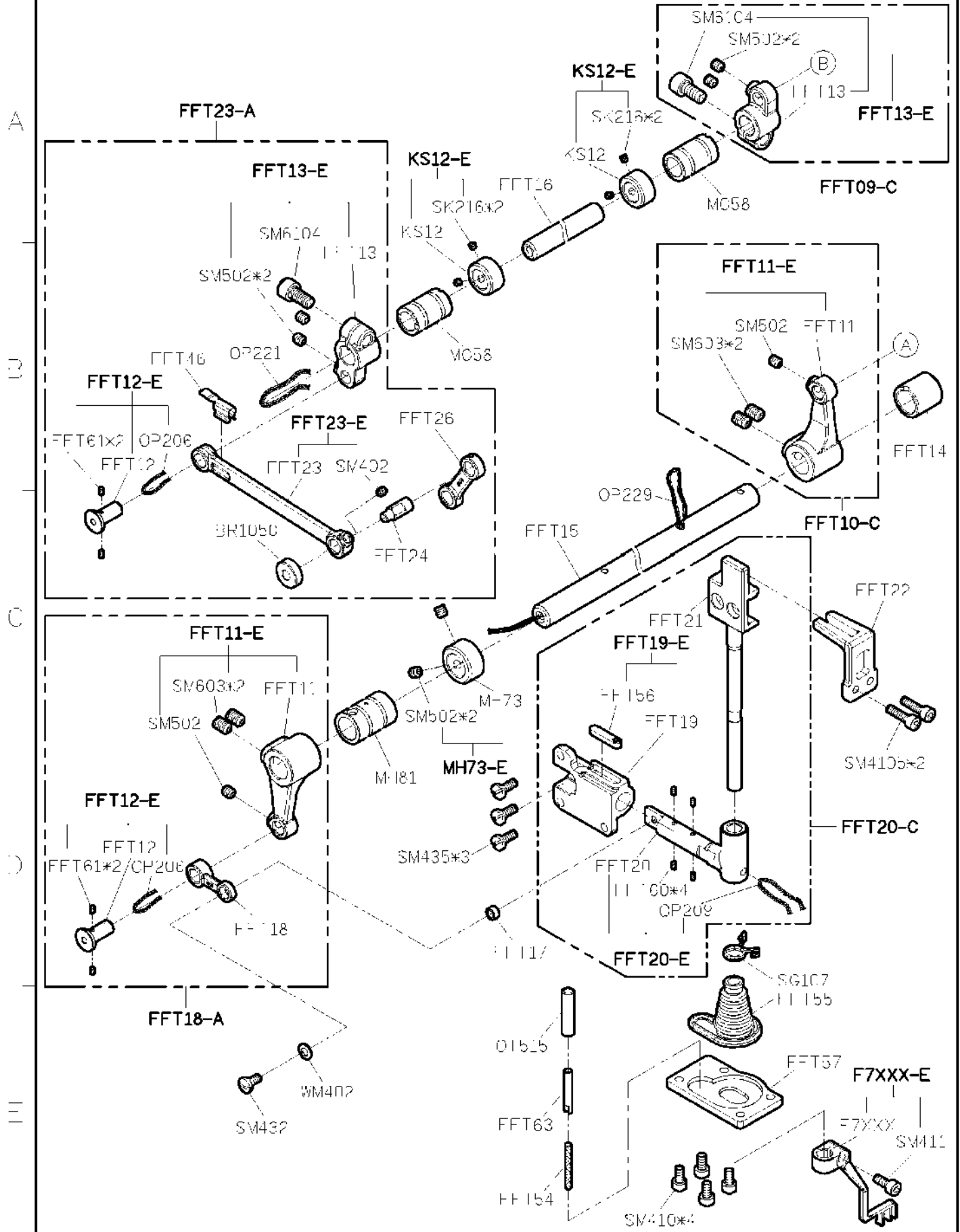
SIRUBA PARTS LIST	Series	Parts Group	Subclass / Remark	Page
	C007K/C007KD	CMR-K		1/1
	C858K/C858KD			Date
	S007K/S007KD			2012/11/01



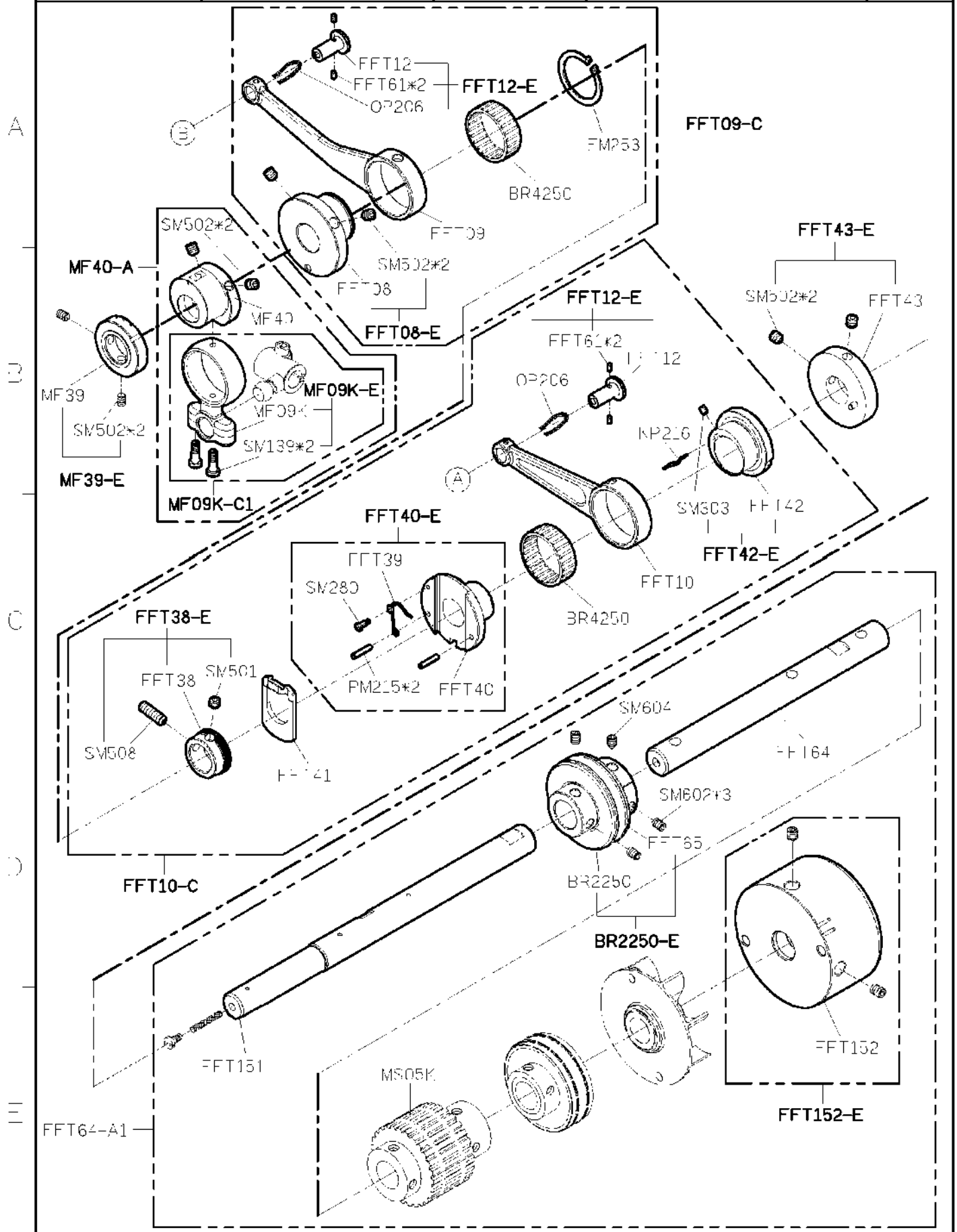
SIRUBA PARTS LIST	Series	Parts Group	Subclass / Remark	Page
	S007KD	FFT		1/7
				Date
				2012/12/25



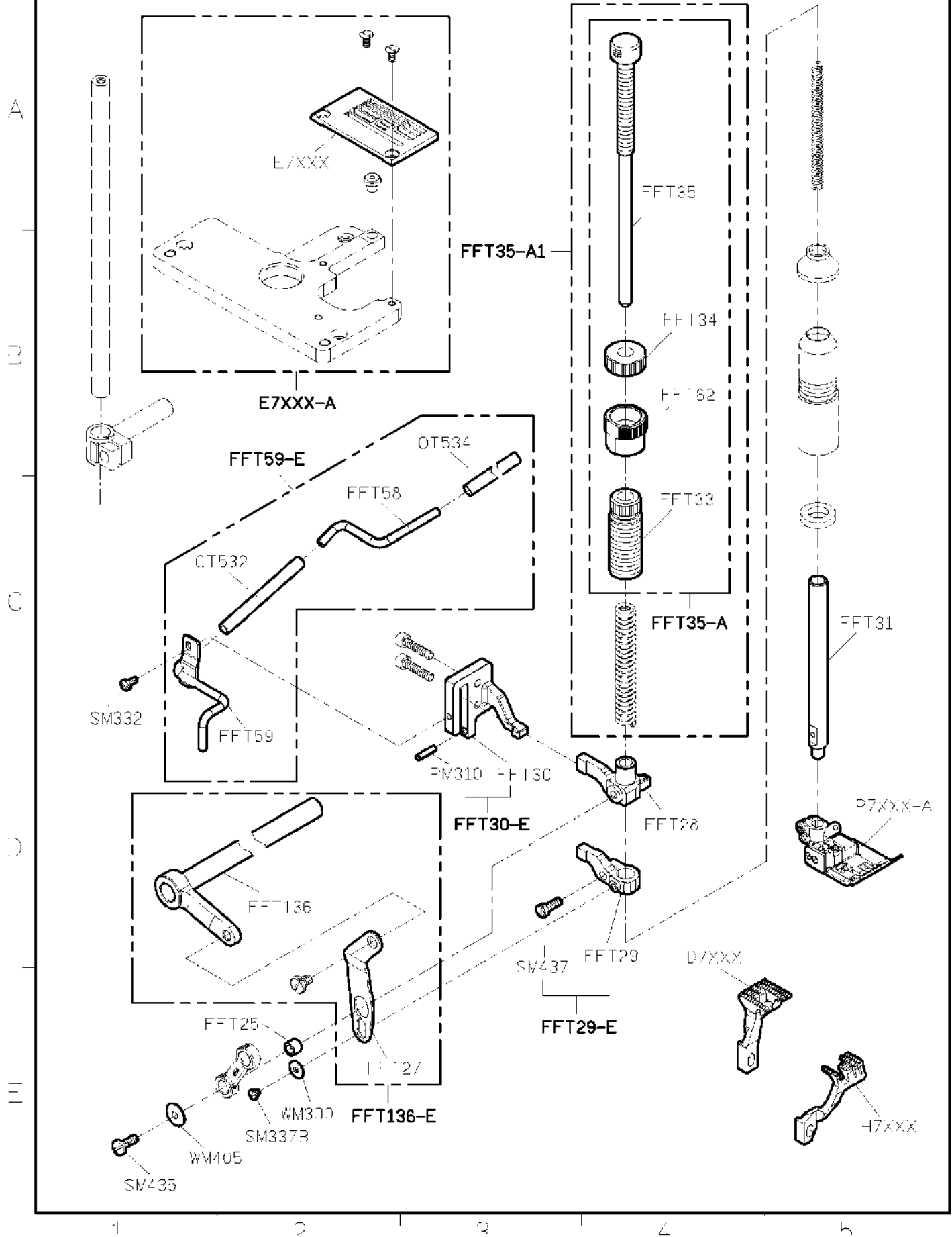
SIRUBA PARTS LIST	Series	Parts Group	Subclass / Remark	Page
	S007KD	FFT		2/7
				Date
				2012/12/26



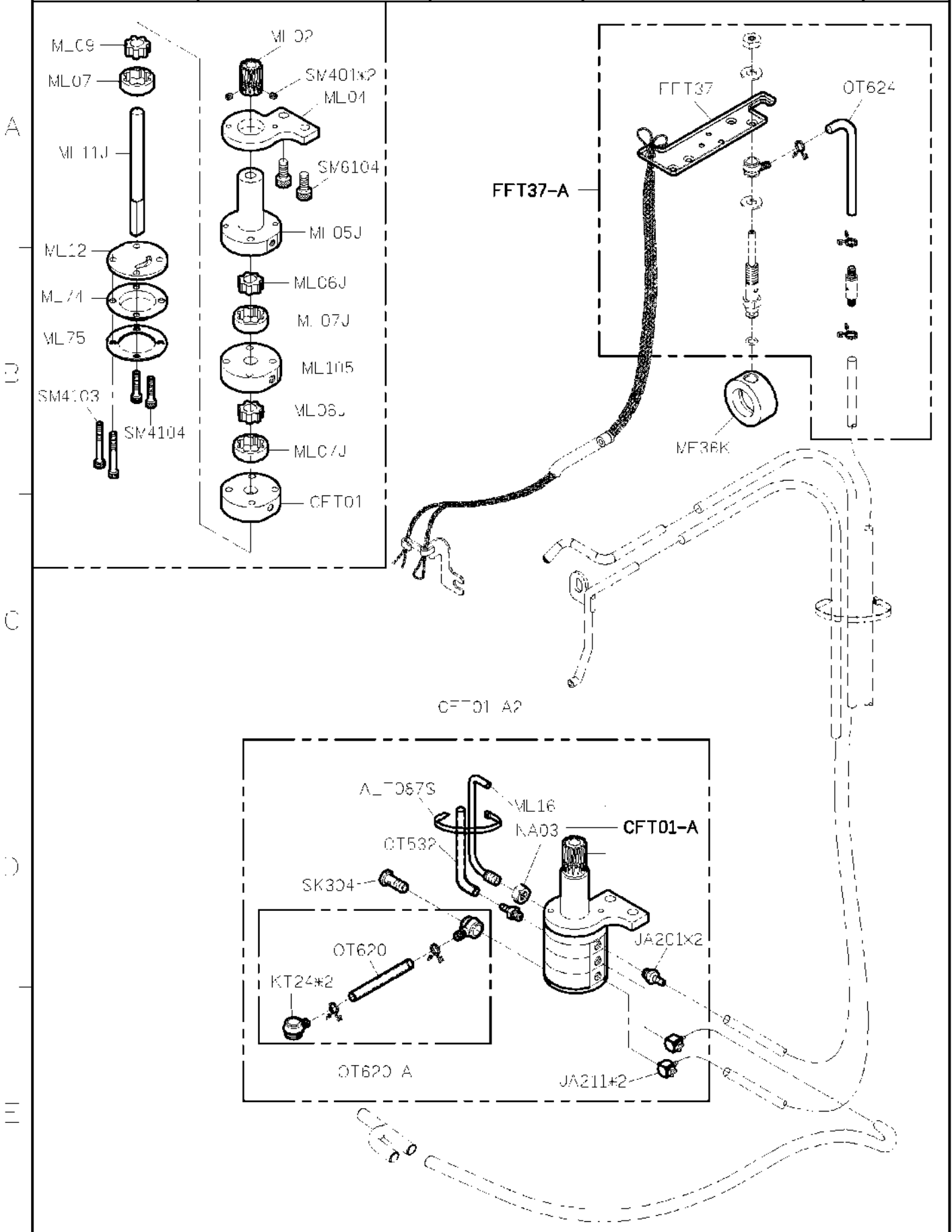
SIRUBA PARTS LIST	Series	Parts Group	Subclass / Remark	Page
	S007KD	FFT		3/7
				Date
				2012/12/25



SIRUBA PARTS LIST	Series	Parts Group	Subclass / Remark	Page
	S007KD	FFT		4/7
				Date
				2012/12/25



<b>SIRUBA</b> <b>PARTS LIST</b>	Series	Parts Group	Subclass / Remark	Page
	S007KD	FFT		5/7
				Date
				2012/12/25





SIRUBA PARTS LIST	Series	Parts Group	Subclass / Remark	Page
	S007KD	FFT	Use for UT	6/7
				Date
				2013/01/08

A

B

C

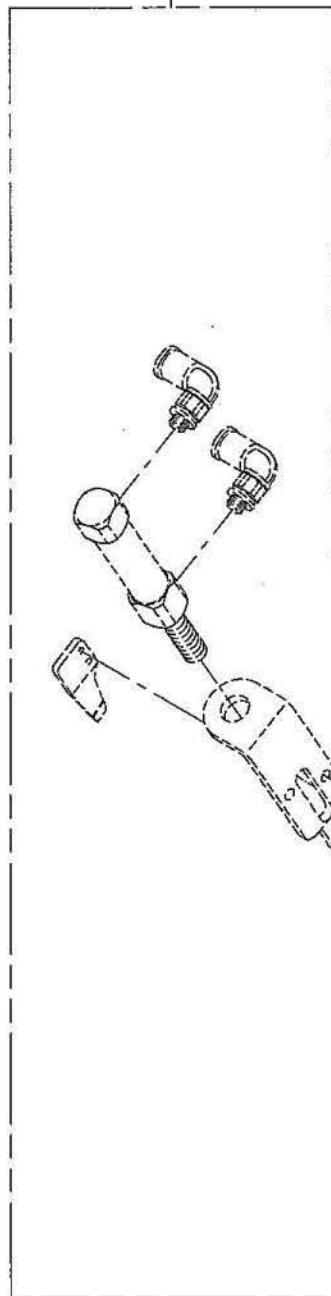
D

E

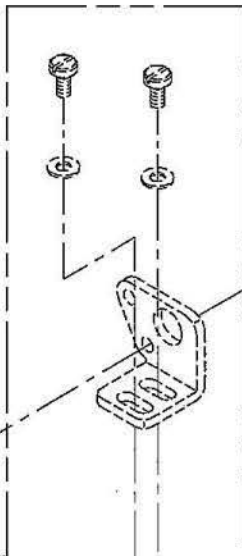
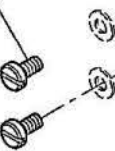
ALT104S



AC027-A1



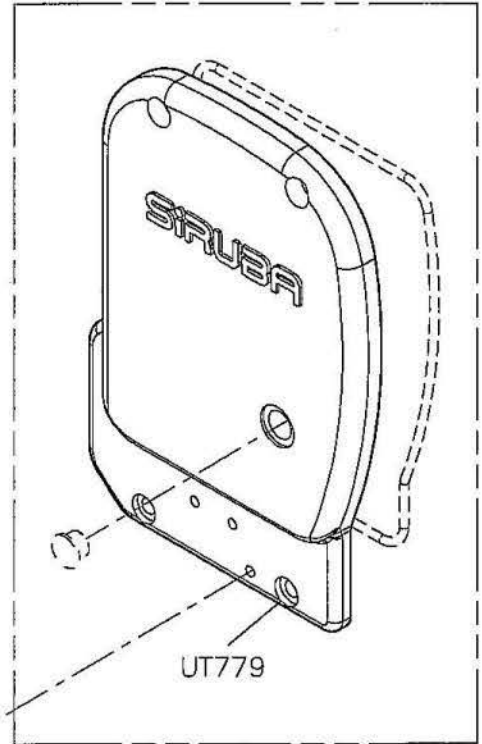
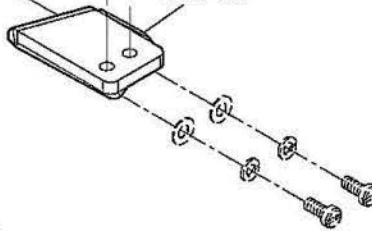
SM432\*2



UT779

UT779-A

UT778



1

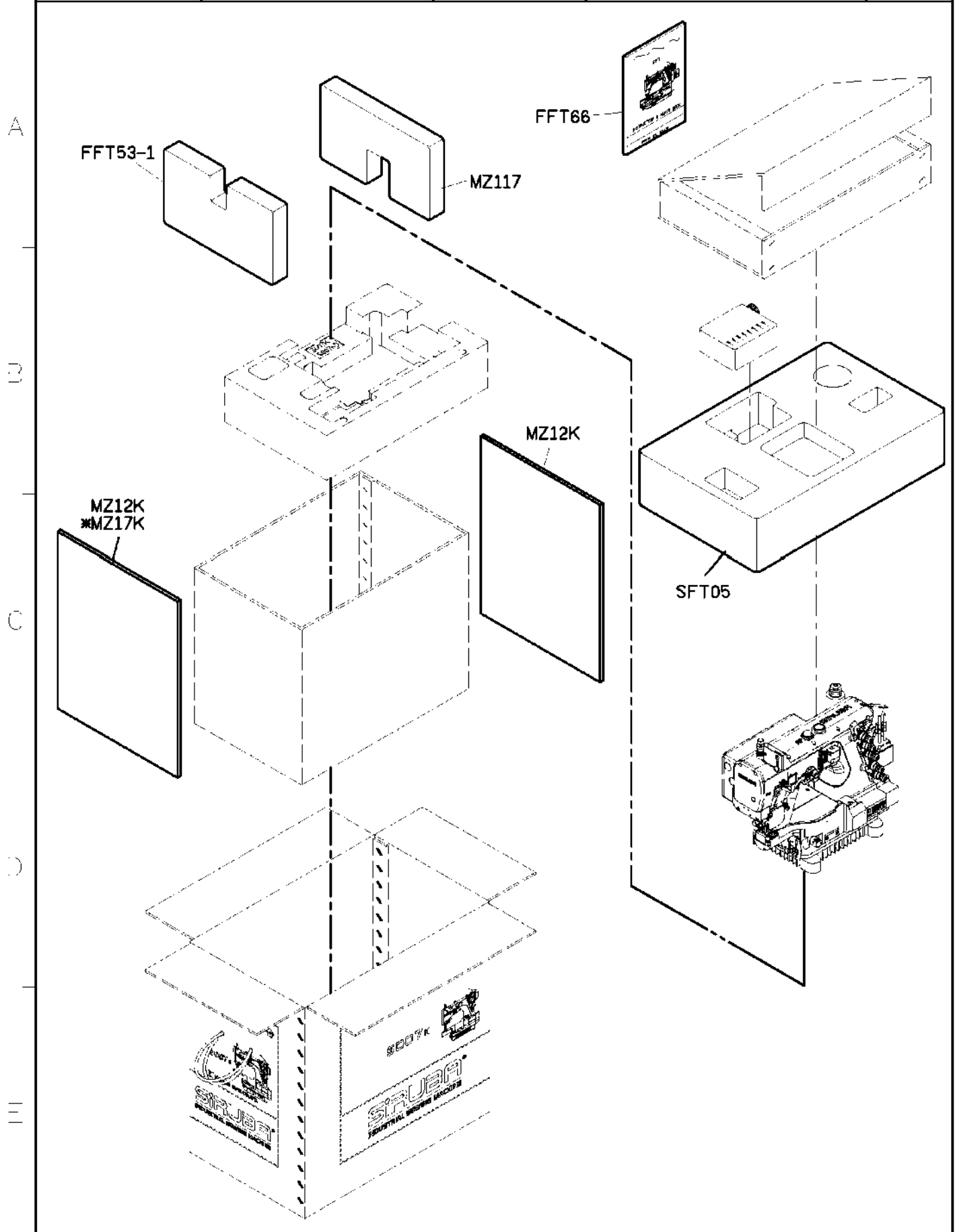
2

3

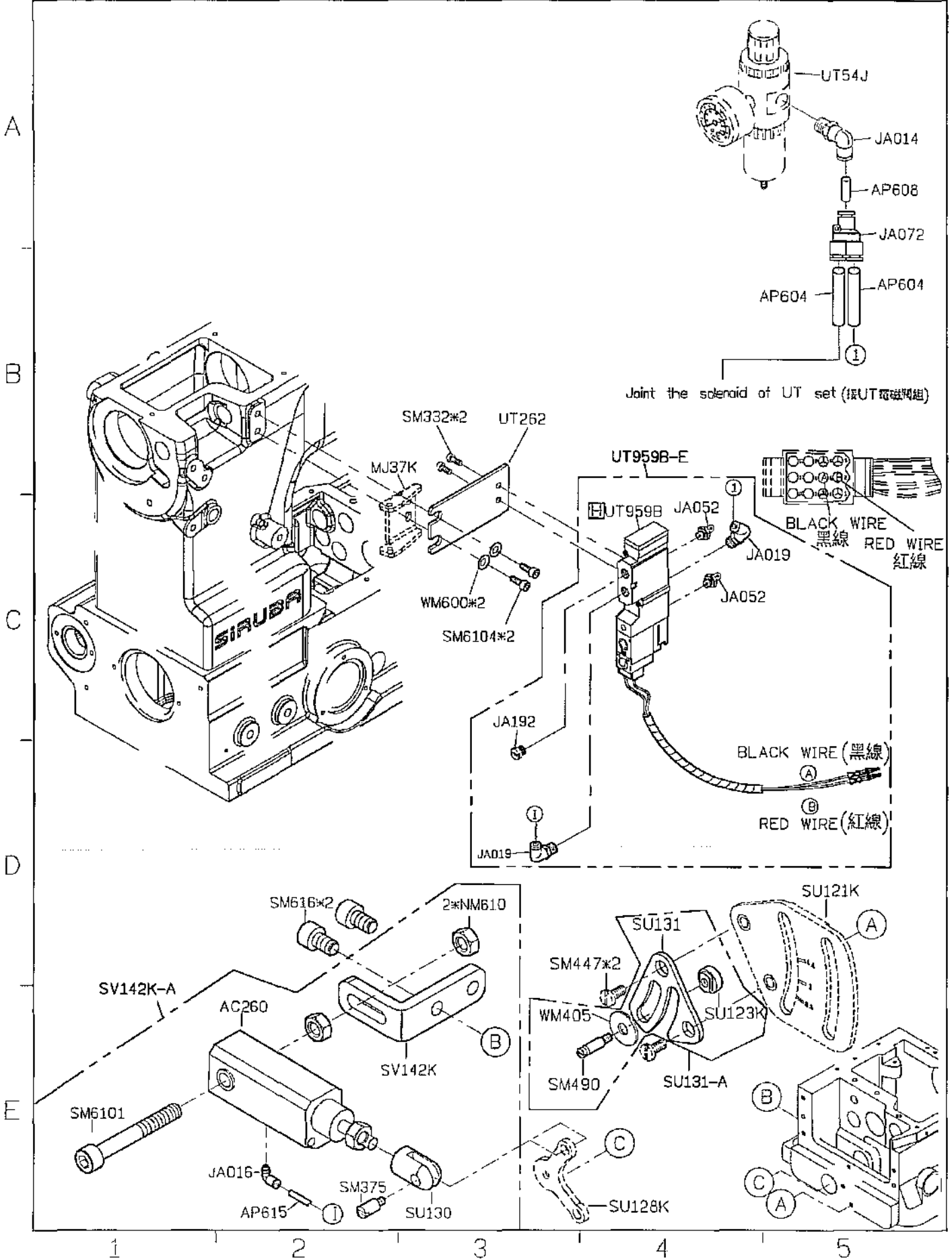
4

5

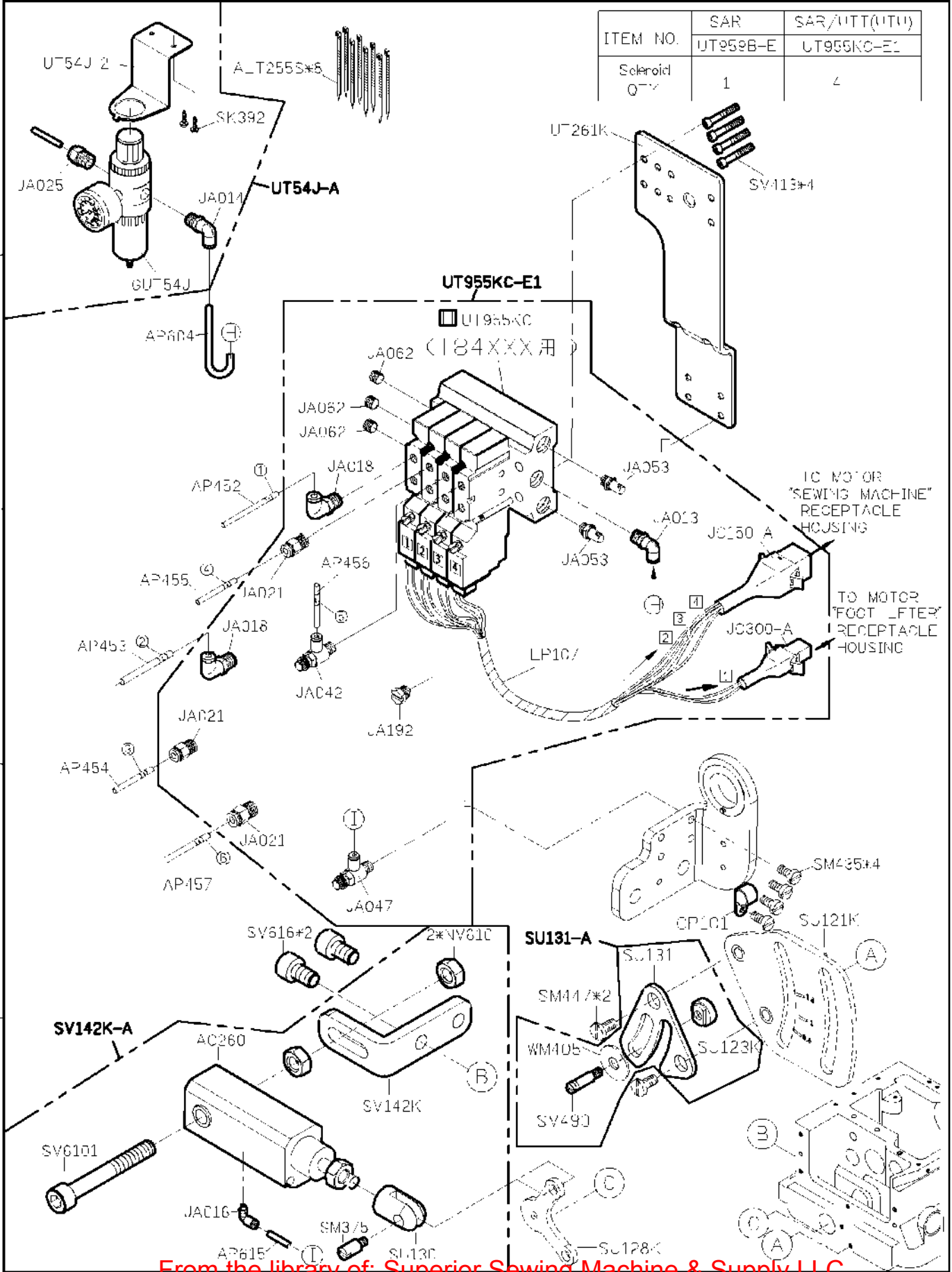
SIRUBA PARTS LIST	Series	Parts Group	Subclass / Remark	Page
	S007KD	FFT	* Use for UT	7/7
				Date
				2012/12/25



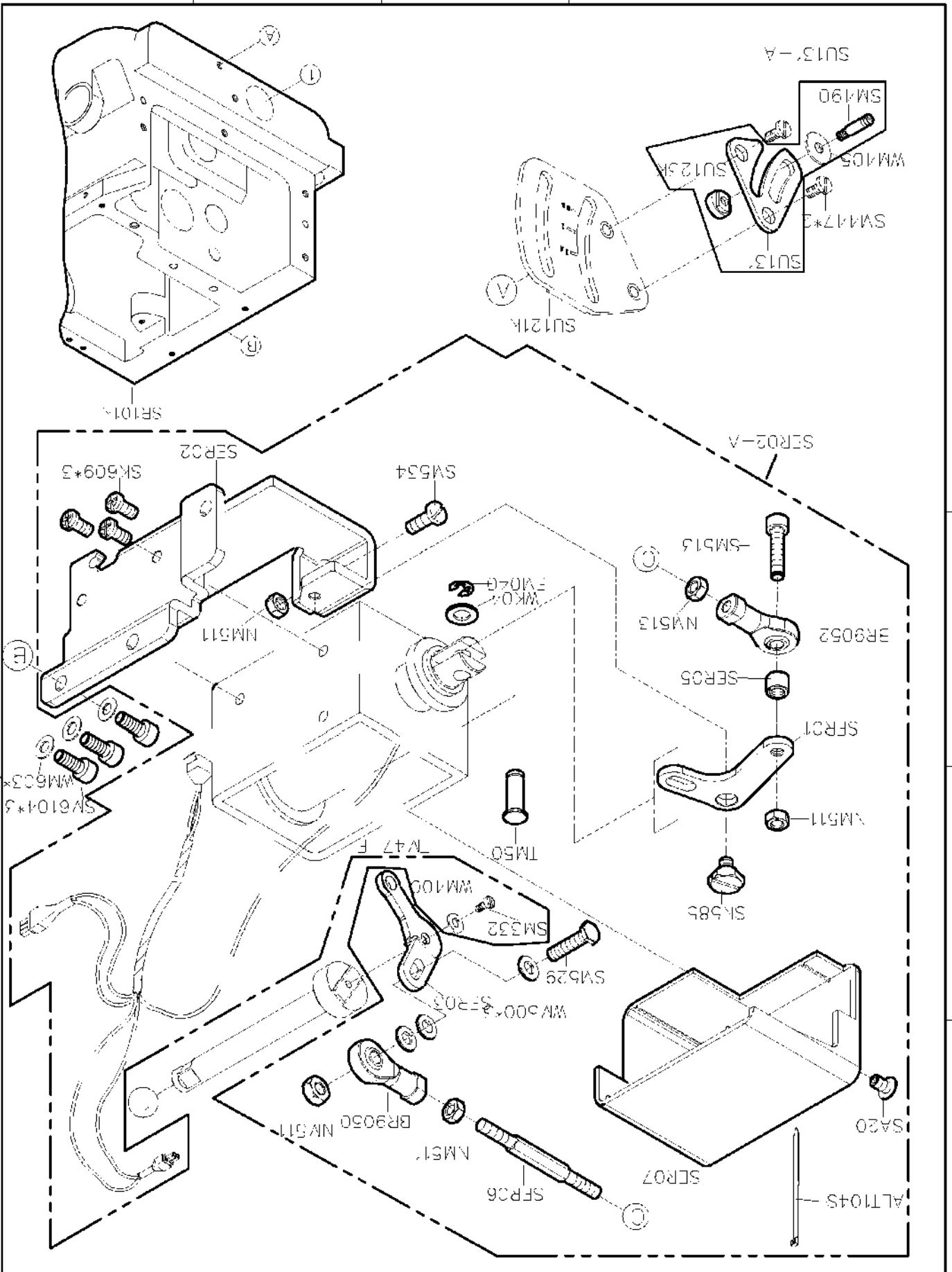
SIRUBA PARTS LIST	Series S007K/S007KD	Parts Group SAR	Subclass / Remark For S007K/S007KD 2 <sup>nd</sup> Generation add SAR to the type UT ☒ : Use for H brand motor (HVP-20)	Page 1/2 Date 2013/03/28
----------------------	------------------------	--------------------	---	-----------------------------------



<b>SIRUBA</b> <b>PARTS LIST</b>	<b>Series</b>	<b>Parts Group</b>	<b>Subclass / Remark</b>	<b>Page</b>
	S007K/S007KD	<b>SAR</b>	For S007K/S007KD 2 <sup>nd</sup> Generation -UT ☐ : Use for H brand motor (HVP-20)	2/2
				Date 2012/10/31

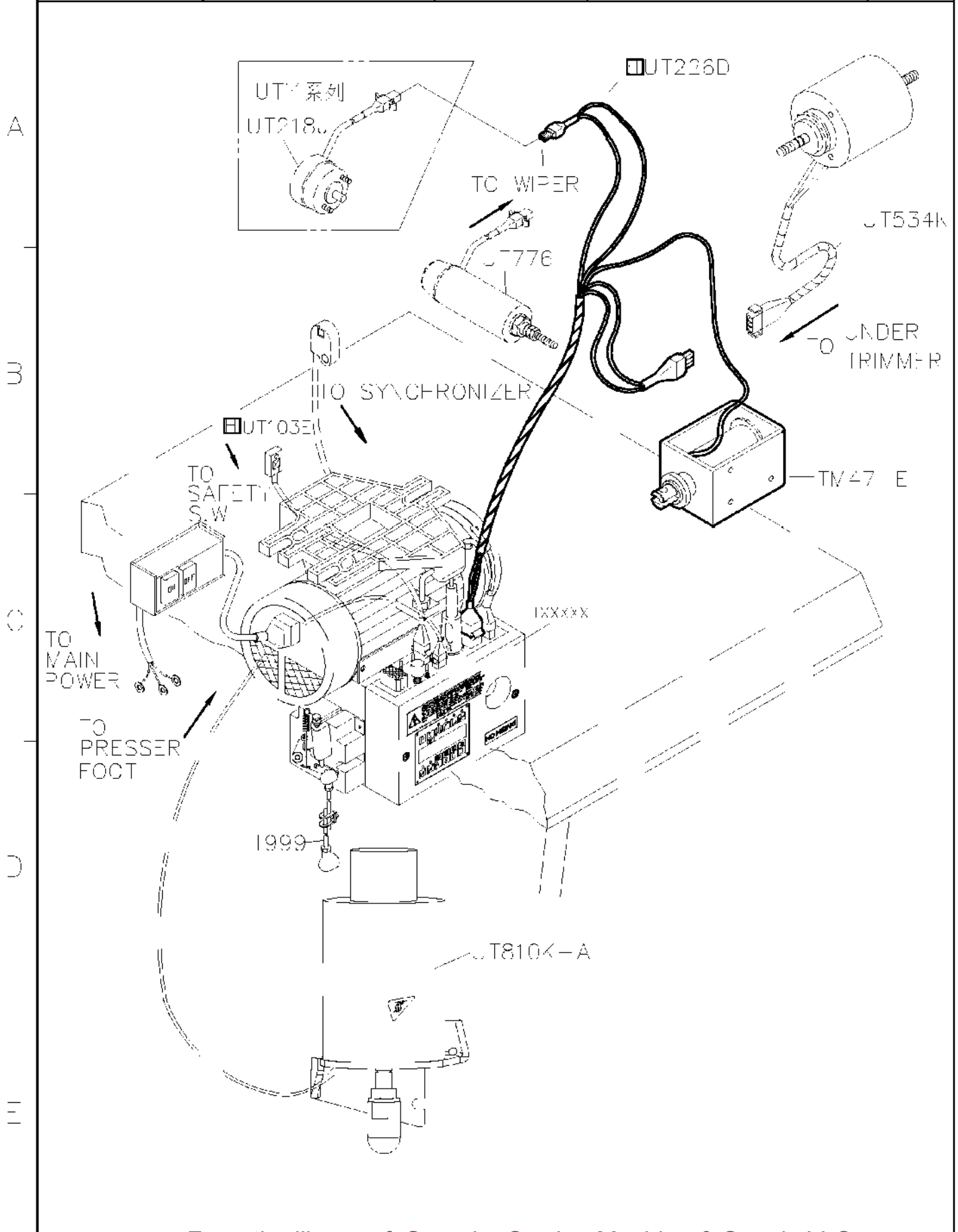


ITEM NO.	SAR	SAR/UITT(UTU)
	UT959B-E	1



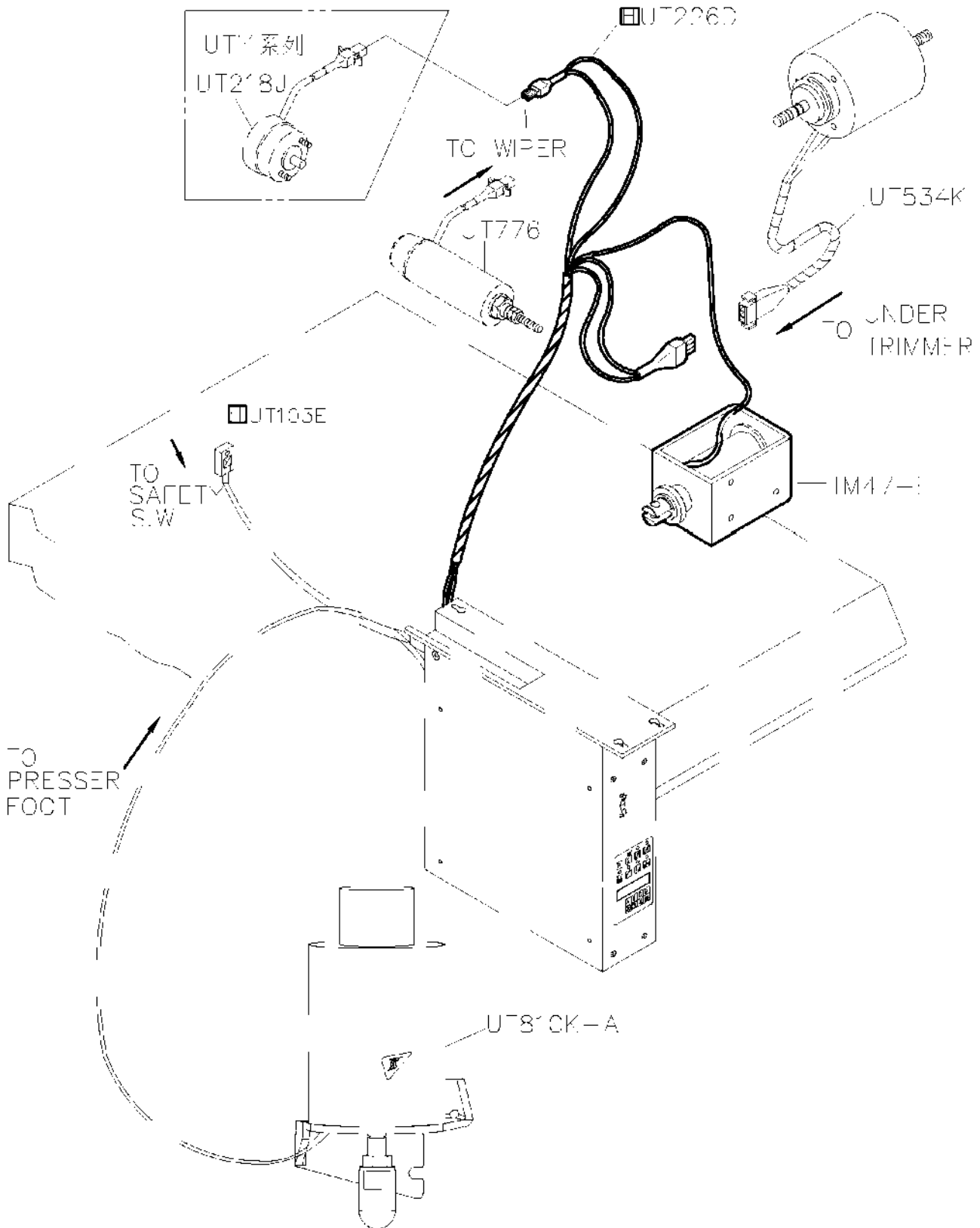
Page	Subclass / Remark	Parts Group	Series	Parts List	SIRUBA
1/4		SER	S007K/S007KD		
Date					
2012/11/27					

SIRUBA PARTS LIST	Series	Parts Group	Subclass / Remark	Page
	S007K/S007KD	SER	☐ : Use for H牌馬達	2/4
				Date
				2012/10/08

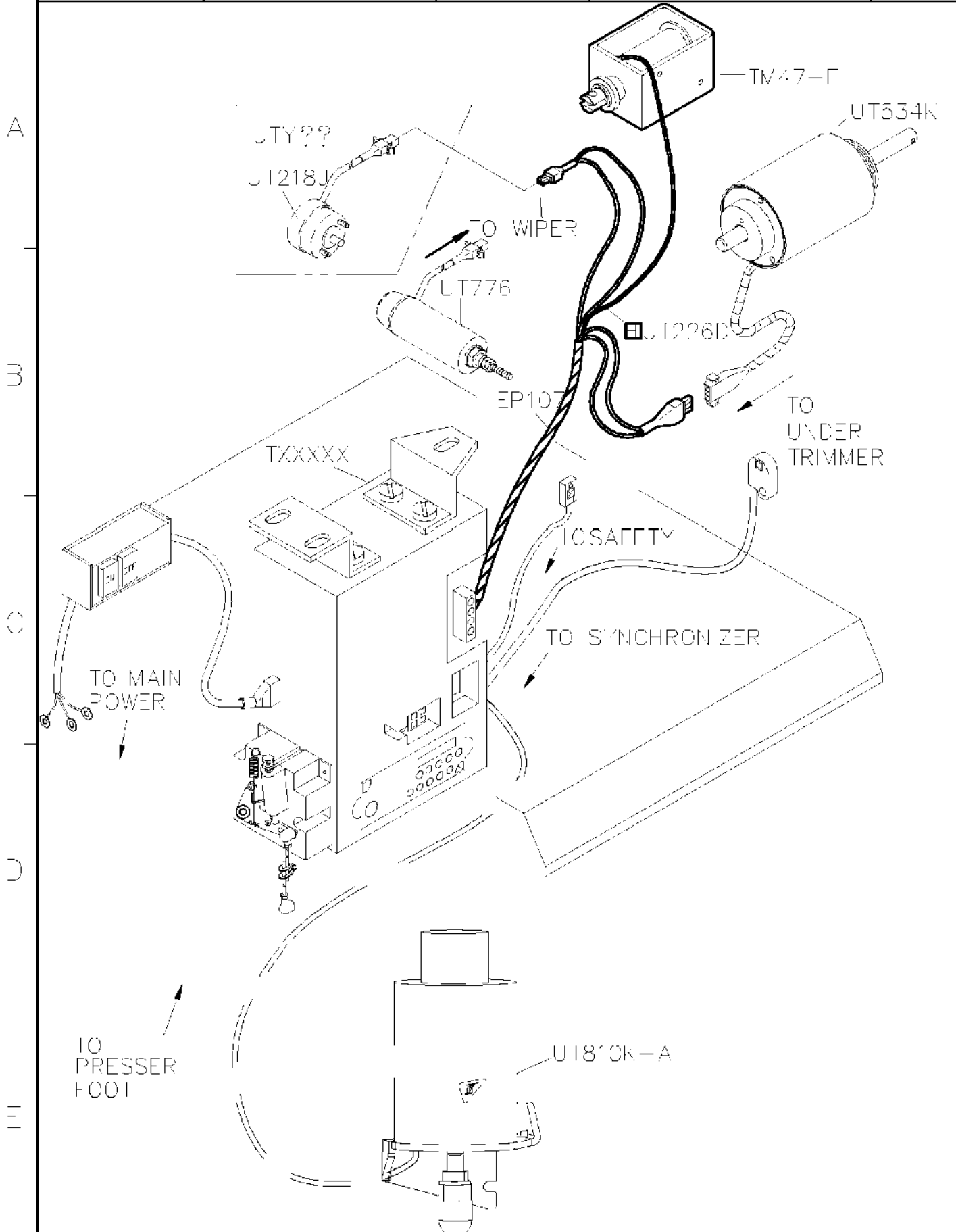




SIRUBA PARTS LIST	Series	Parts Group	Subclass / Remark	Page
	S007K/S007KD	SER	☐ : Use for H牌馬達	3/4
				Date
				2012/10/08



SIRUBA PARTS LIST	Series	Parts Group	Subclass / Remark	Page
	S007K/S007KD	<b>SER</b>	□ : Use for H牌馬達	4/4
			Date	2012/10/08



**SIRUBA**

PARTS LIST

Parts Group

Subclass / Remark

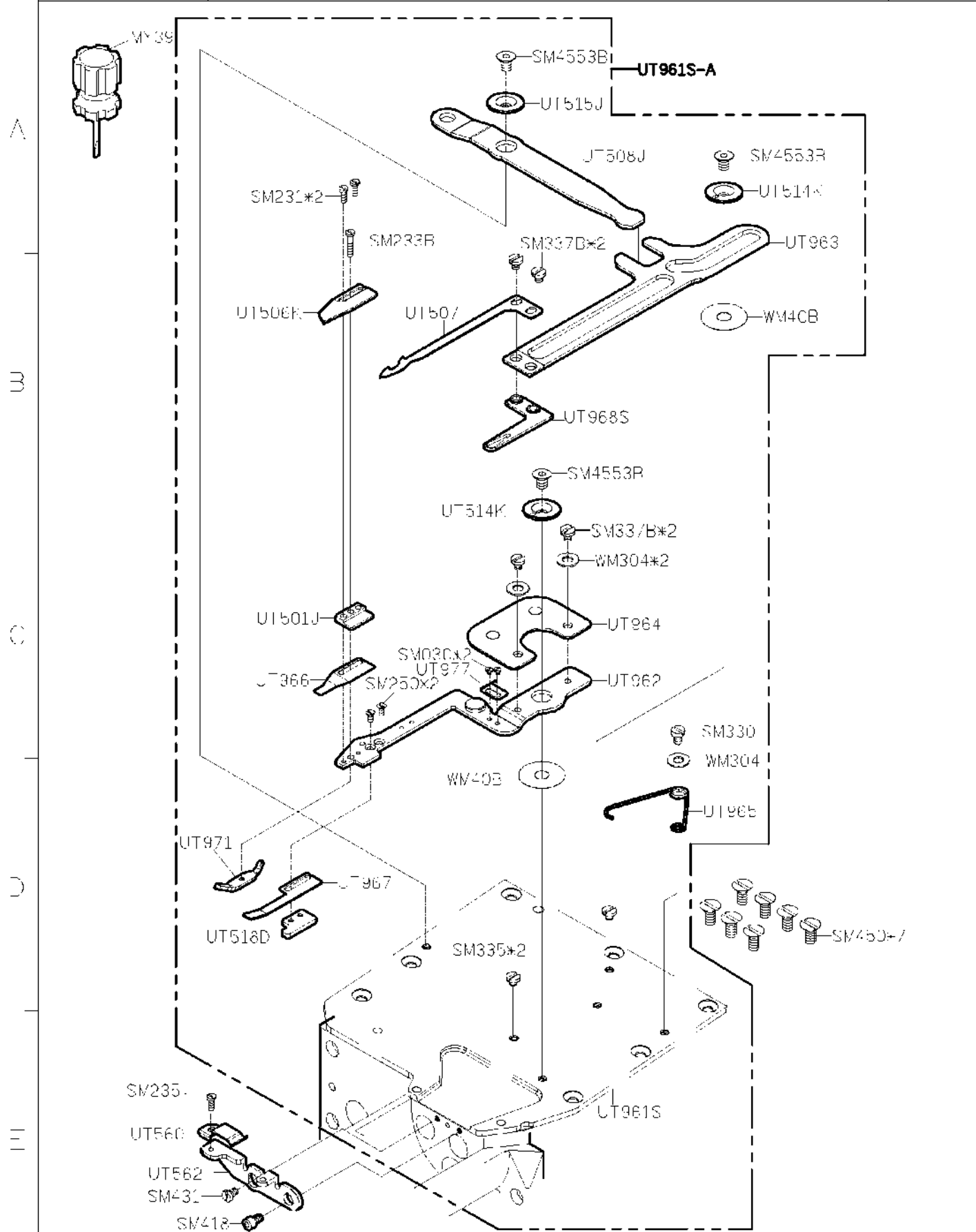
Page

1/10

Date

S007K/S007KD UTT(UTU)-K

2012/10/31



**SIRUBA**

PARTS LIST

Parts Group

Subclass / Remark

Page

S007K/S007KD UTT(UTU)-K

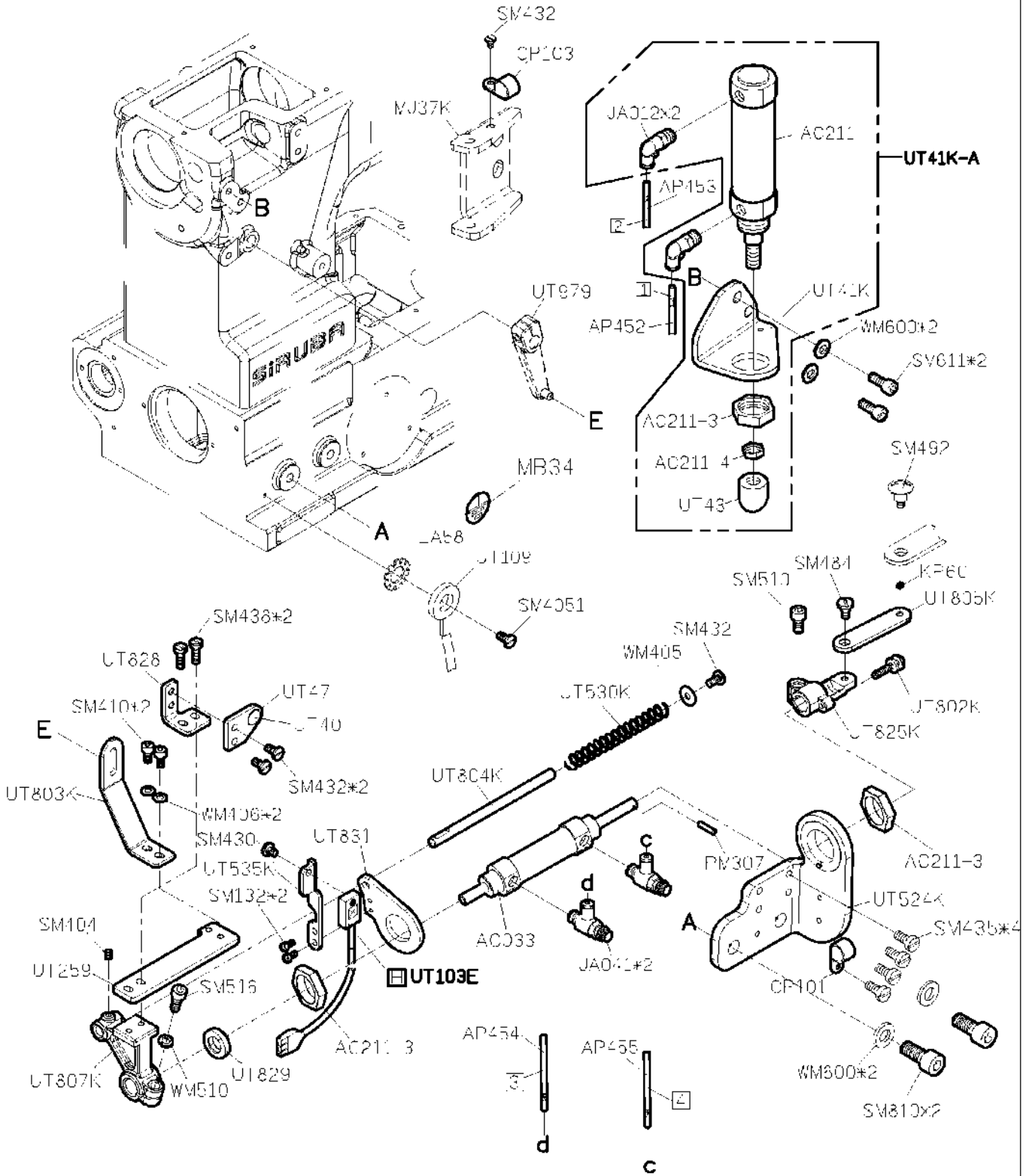
For S007K/S007KD 2<sup>nd</sup> Generation

2/10

Date

☐ : Use for H brand motor

2012/12/21



**SIRUBA**

PARTS LIST

Parts Group

Subclass / Remark

Page

3/10

Date

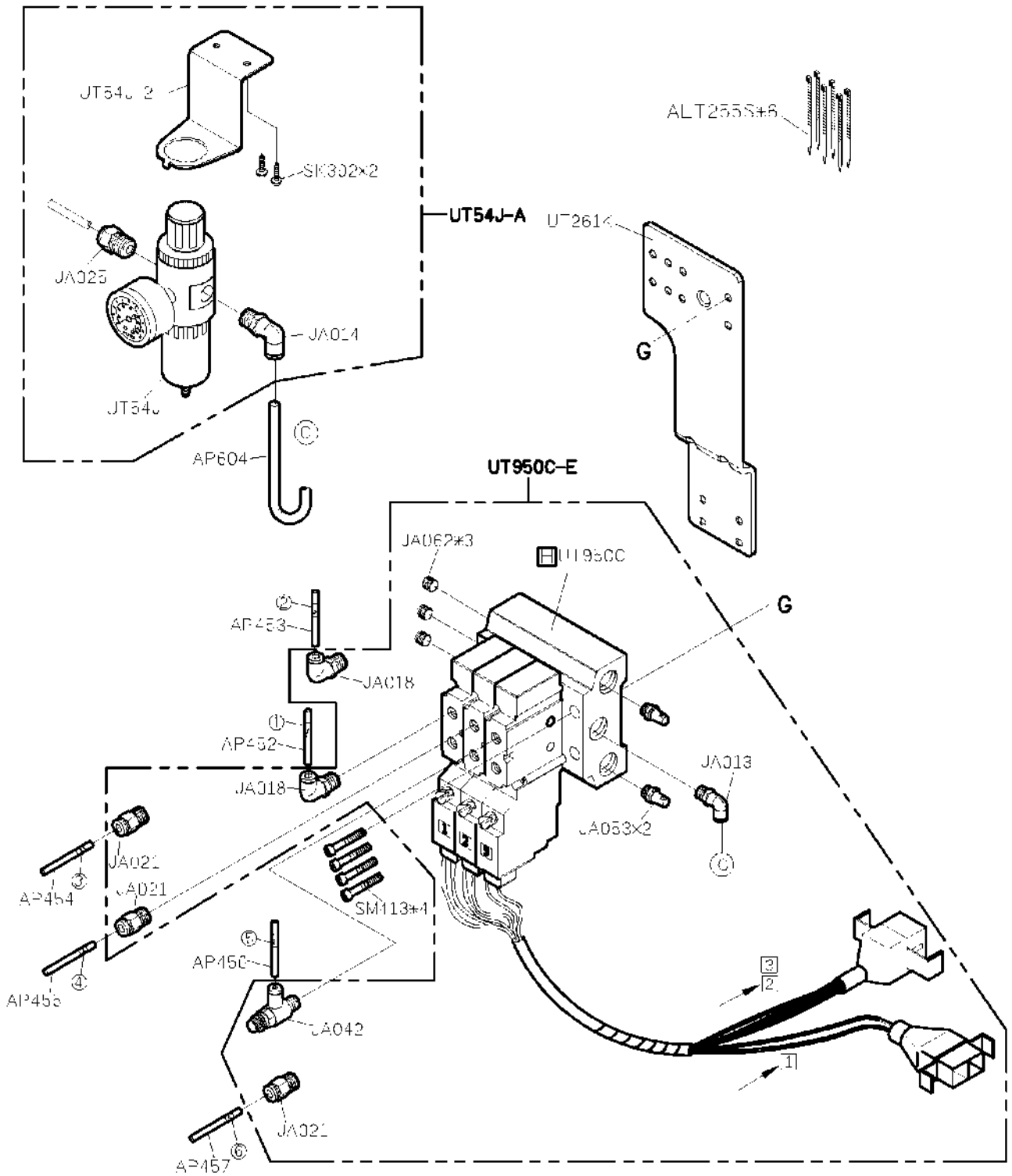
2013/01/08

S007K/S007KD UTT(UTU)-K

For S007K/S007KD 2<sup>nd</sup> Generation

☐ : Use for H brand motor

A  
B  
C  
D  
E



- 1) LIFT PRESSER FOOT
- 2) LOOP TRIMMER
- 3) TOP CUTTER (WIDER)

**SIRUBA**

PARTS LIST

Parts Group

S007K/S007KD UTT(UTU)-K

Subclass / Remark

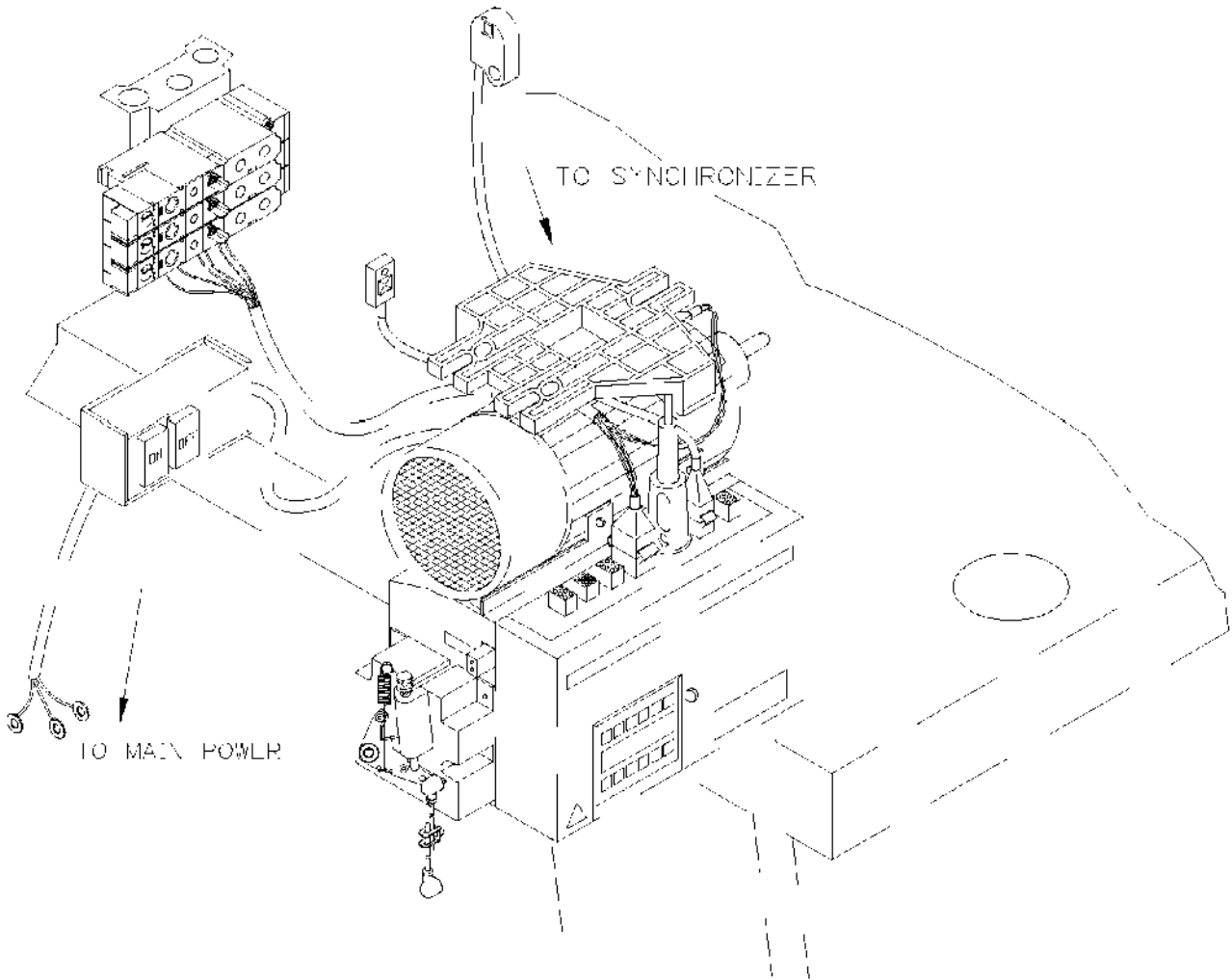
For S007K

Page

4/10

Date

2012/10/31





**SIRUBA**

PARTS LIST

Parts Group

Subclass / Remark

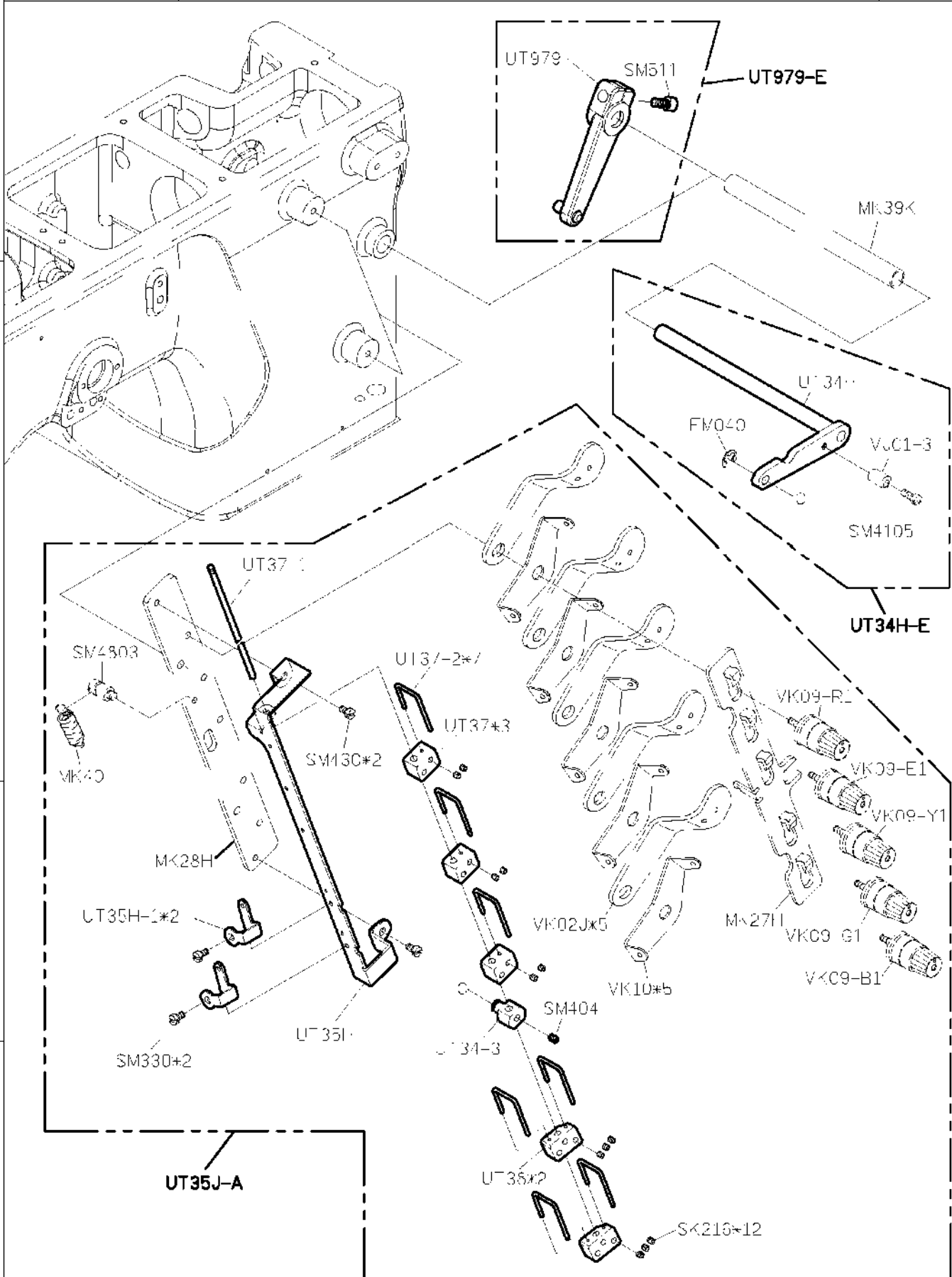
Page

5/10

Date

**S007K/S007KD UTT(UTU)-K For S007K/S007KD 2<sup>nd</sup> Generation**

2012/12/21



**SIRUBA**

PARTS LIST

Parts Group

Subclass / Remark

Page

6/10

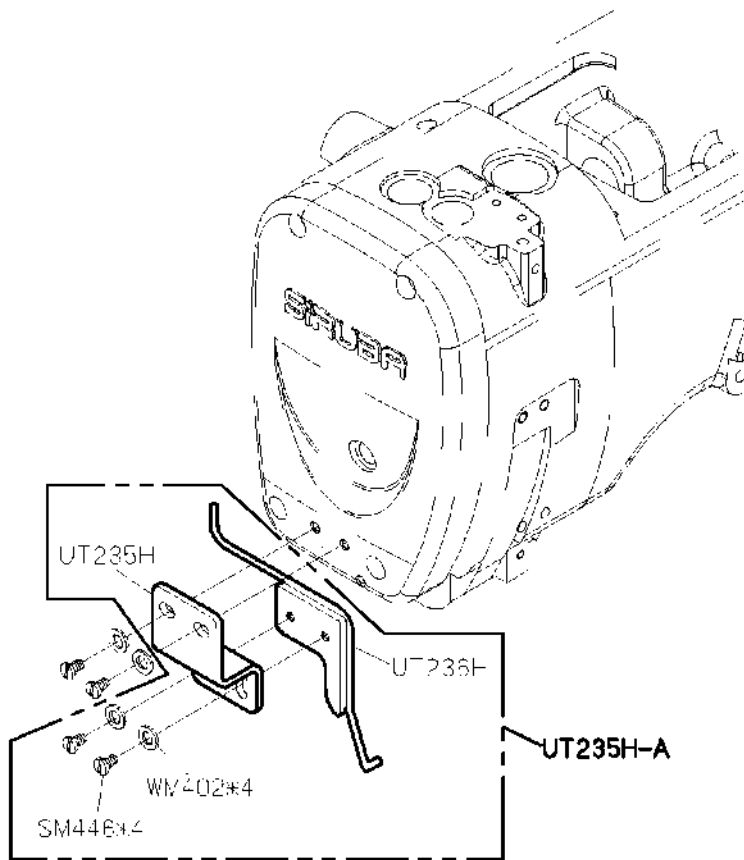
Date

**S007K/S007KD**

UTU-K

**2012/10/31**

FOR LEFT SIDE



**SIRUBA**

PARTS LIST

Parts Group

Subclass / Remark

Page

7/10

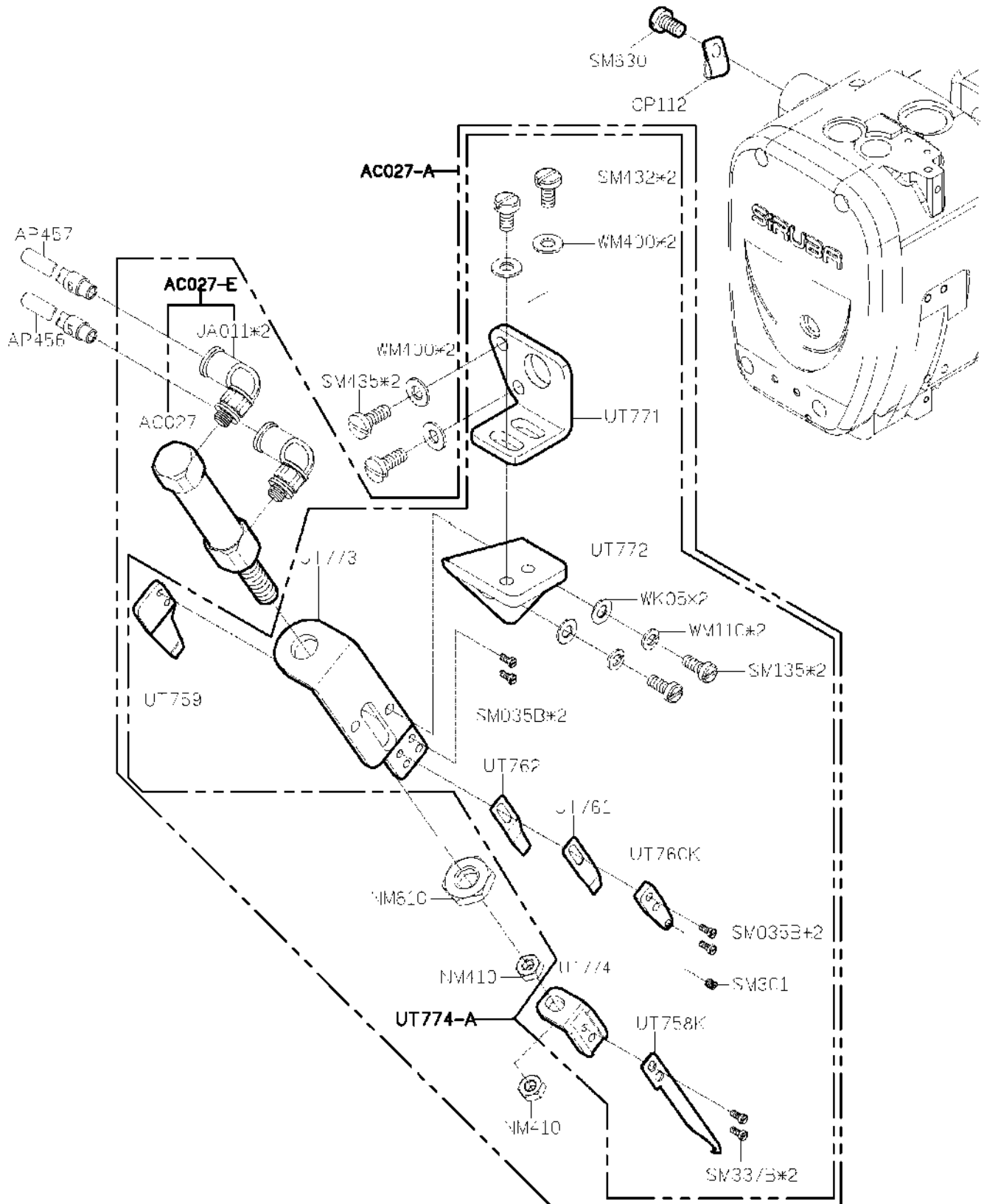
Date

S007K/S007KD

UTT-K

2012/10/31

A  
B  
C  
D  
E



**SIRUBA**

PARTS LIST

Parts Group

Subclass / Remark

Page

8/10

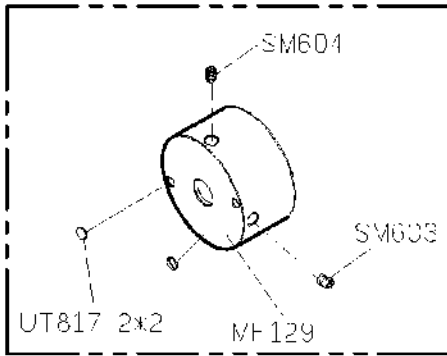
Date

2012/10/31

**S007K/S007KD** UTT(UTU)-K

For S007K

: Use for H brand motor



UT818J-A

JT815

SM4051

JT816

TO SYNCHRONIZER

TO MAIN POWER

1XXXXX

T993

**SIRUBA**

PARTS LIST

Parts Group

Subclass / Remark

Page

9/10

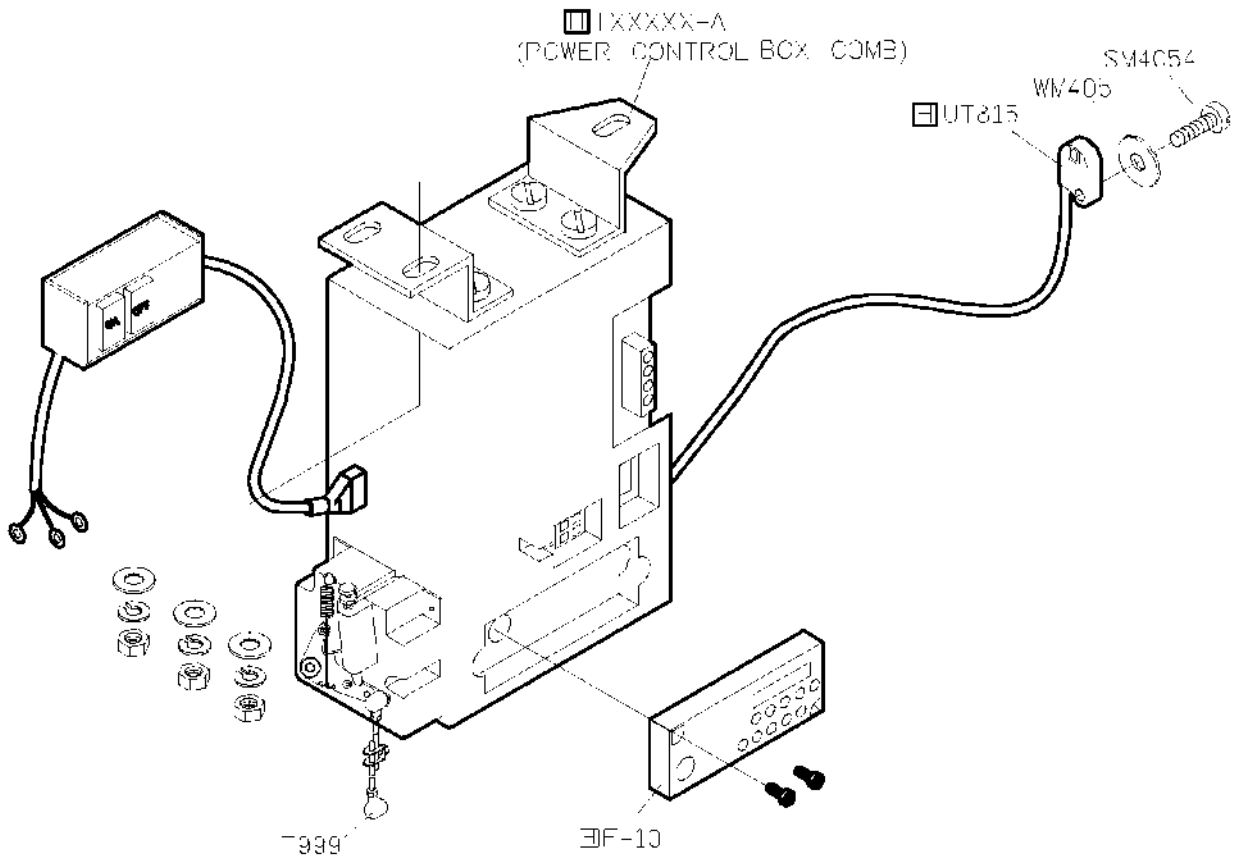
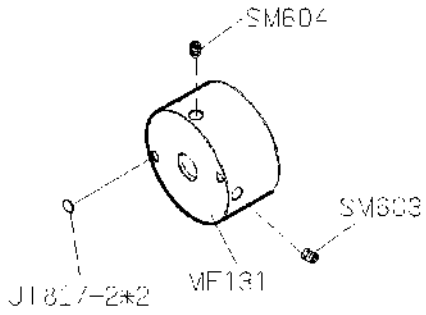
Date

**S007K/S007KD** UTT(UTU)-K

For S007KD

☐ : Use for H brand motor  
(HVP-20)

2012/10/31



**SIRUBA**

PARTS LIST

Series

**S007K/S007KD** UTT(UTU)-K

Parts Group

Subclass / Remark

For S007KD

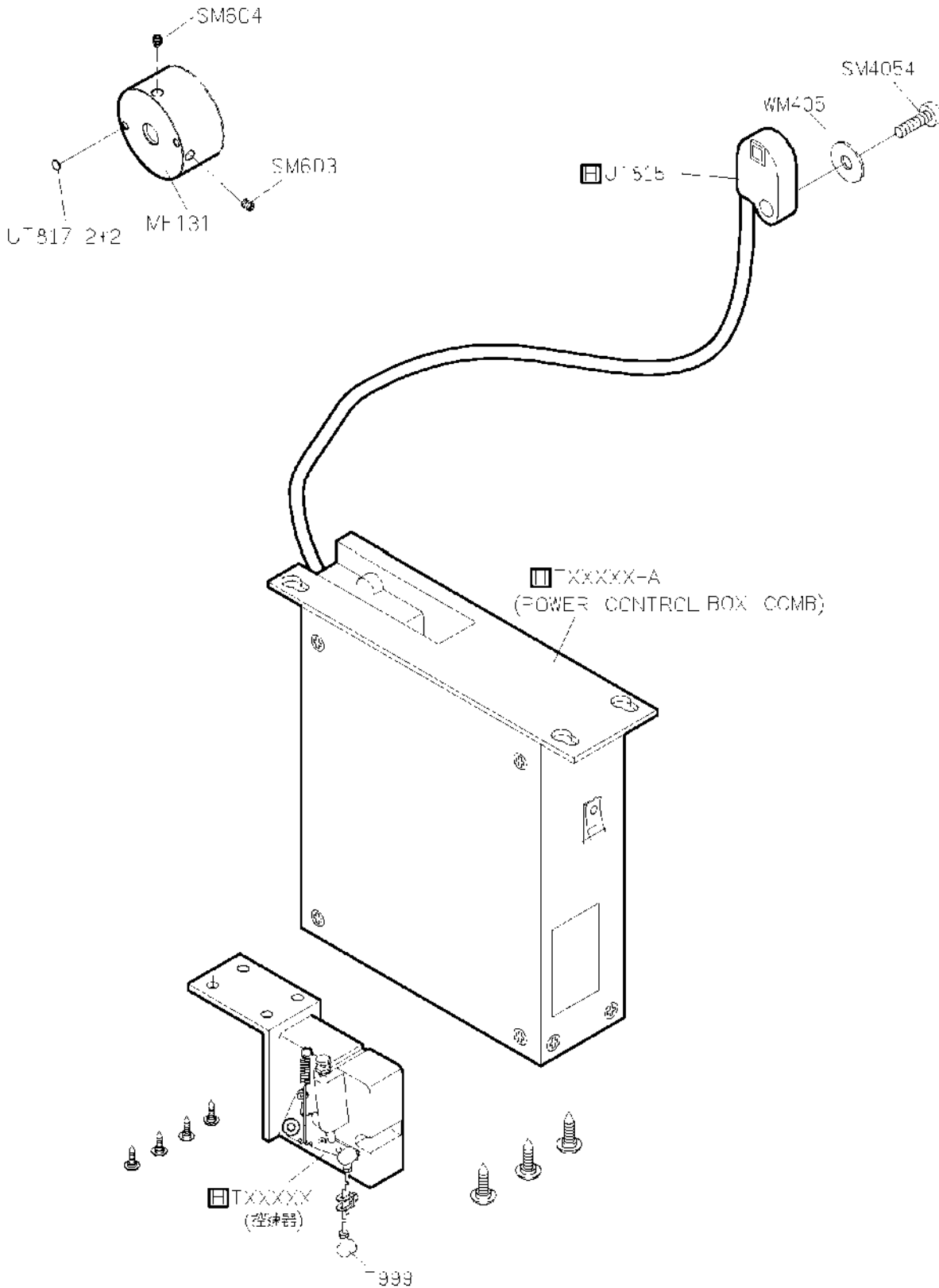
☐ : Use for H brand motor  
(HVP-70)

Page

10/10

Date

2012/10/31





**SIRUBA**

PARTS LIST

Parts Group

Subclass / Remark

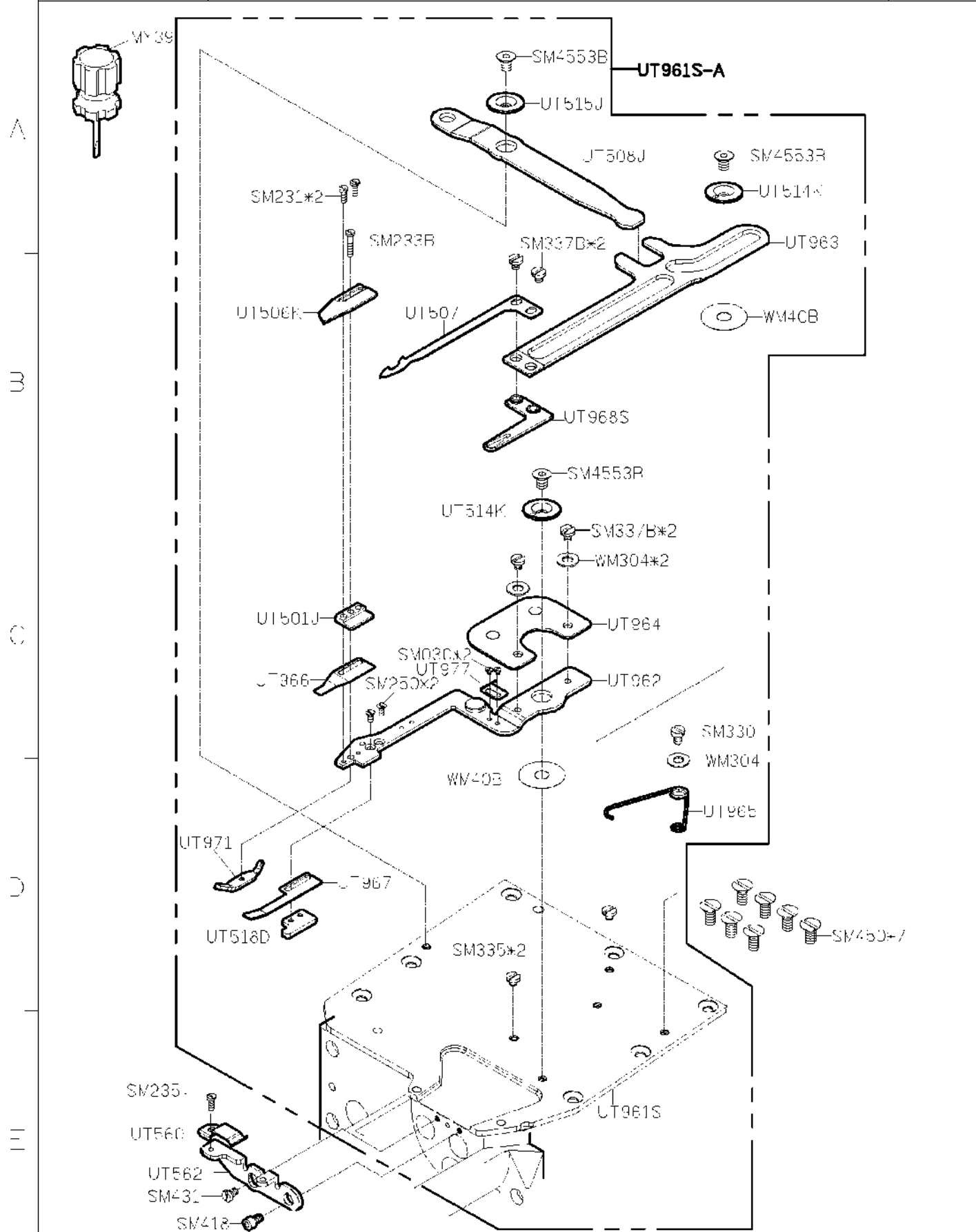
Page

1/12

Date

2012/10/31

S007K/S007KD UTX(UTY)-K



**SIRUBA**

PARTS LIST

Parts Group

Subclass / Remark

Page

2/12

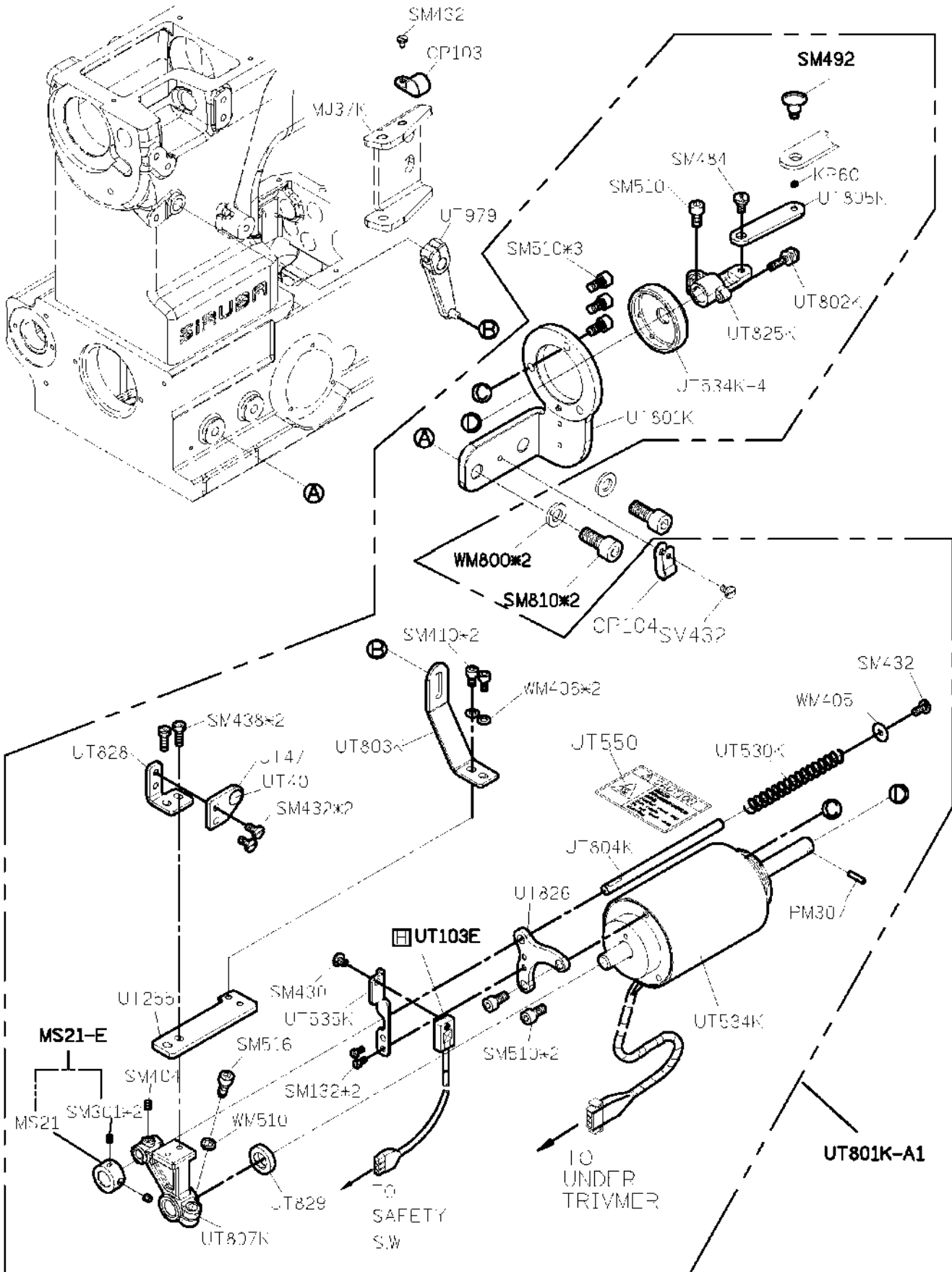
Date

2012/12/21

**S007K/S007KD UTX(UTY)-K**

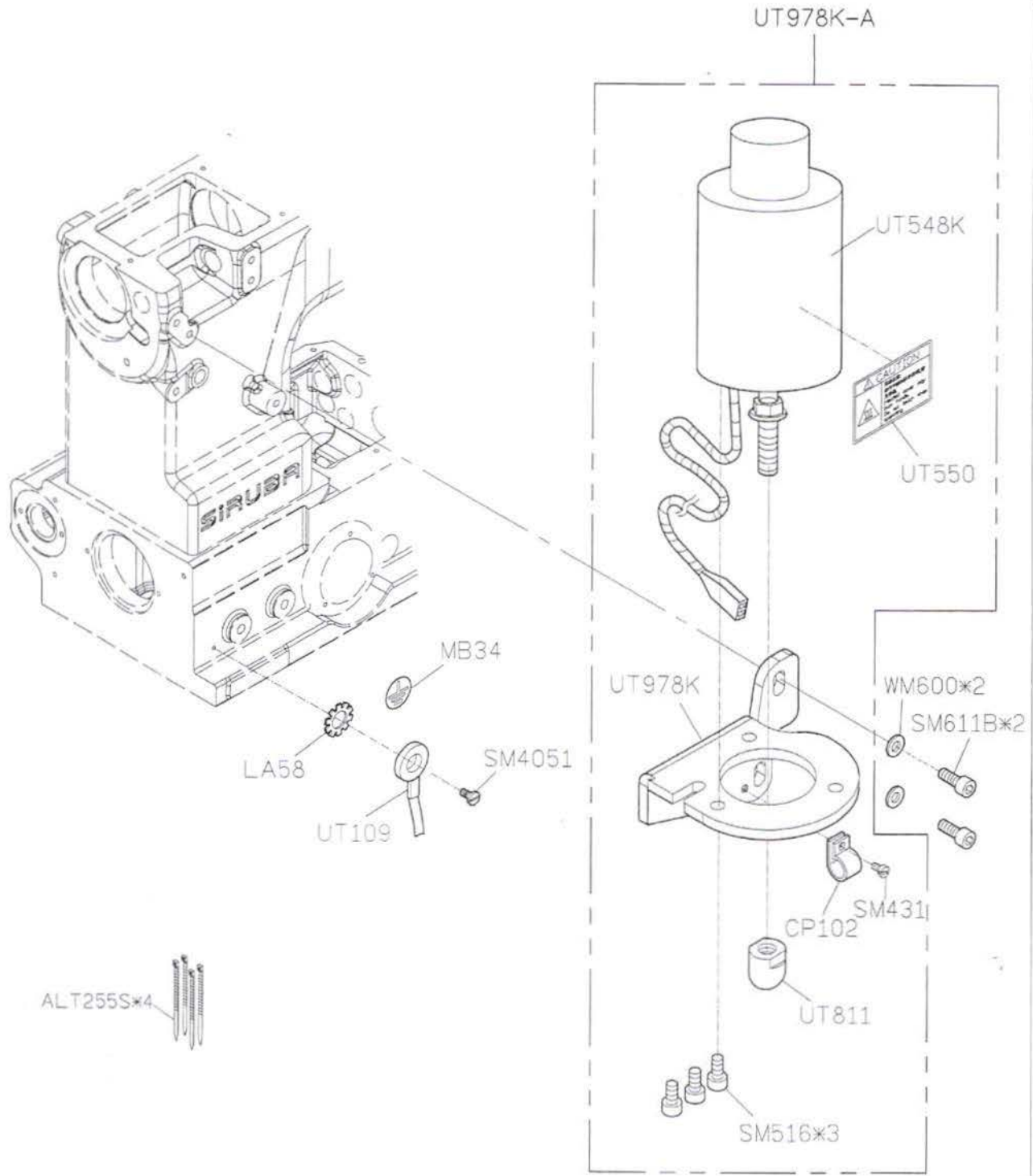
For **S007K/S007KD 2<sup>nd</sup> Generation**

☐ : Use for H brand motor



<b>SIRUBA</b> PARTS LIST		Parts Group	Subclass / Remark	Page
	S007K/S007KD	UTX(UTY)-K	For S007K/S007KD 2 <sup>nd</sup> Generation	3/12
				Date 2013/03/18

A  
B  
C  
D  
E



1 2 3 4 5

**SIRUBA**

PARTS LIST

Parts Group

Subclass / Remark

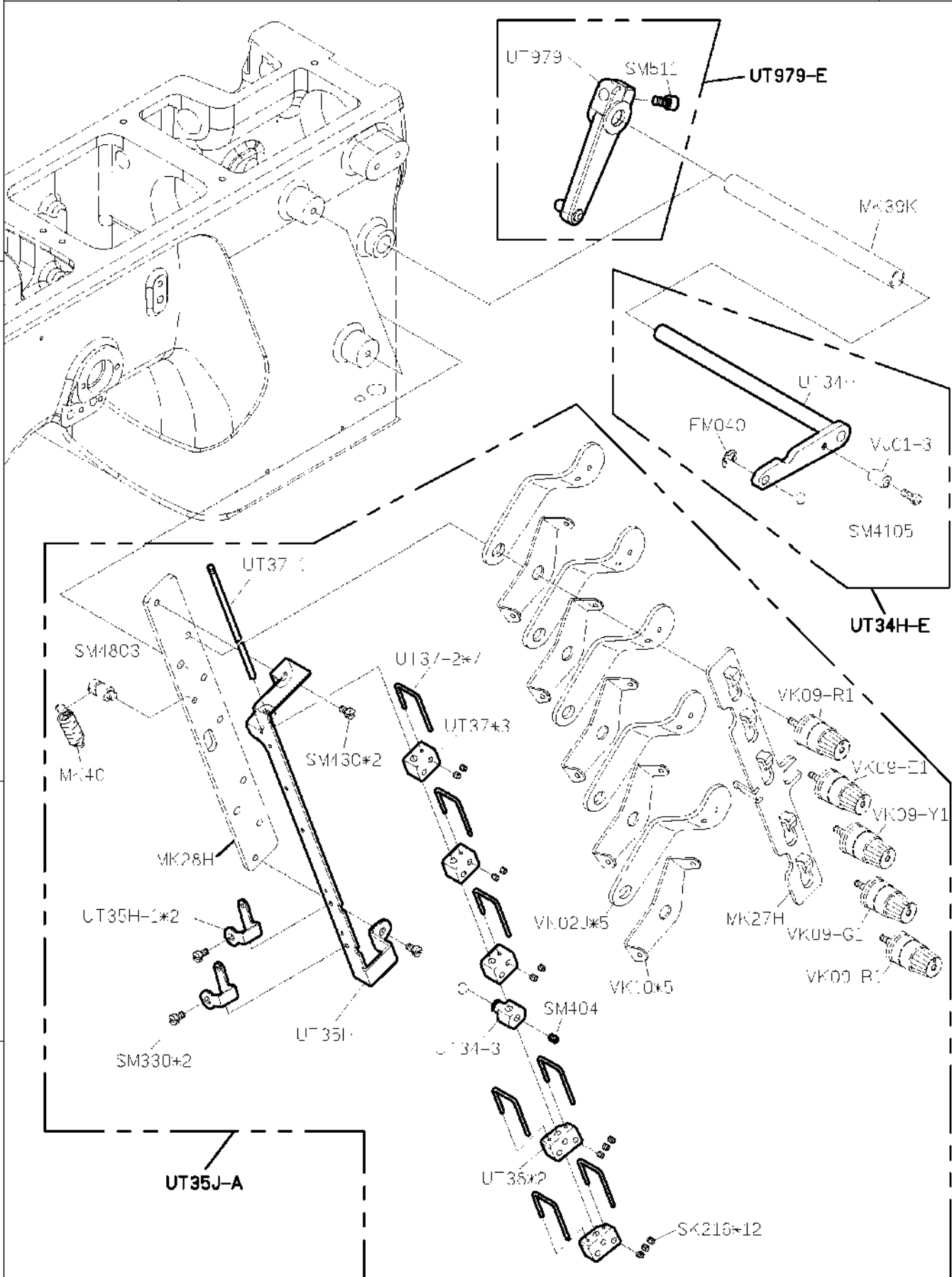
Page

4/12

Date

**S007K/S007KD UTX(UTY)-K For S007K/S007KD 2<sup>nd</sup> Generation**

2012/12/21



S007K/S007KD UTX-K

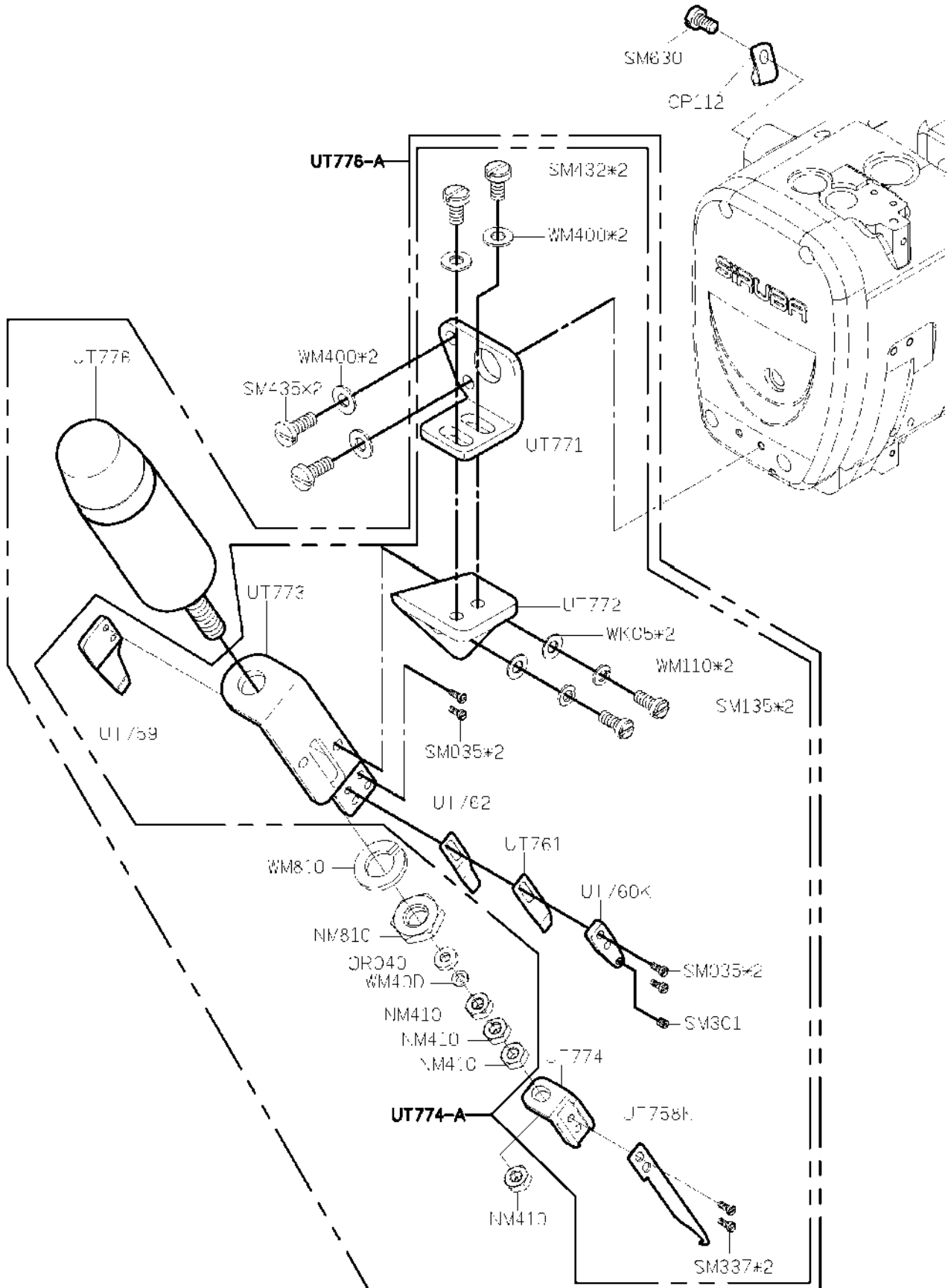
A

W

C

D

III



**SIRUBA**

PARTS LIST

Parts Group

Subclass / Remark

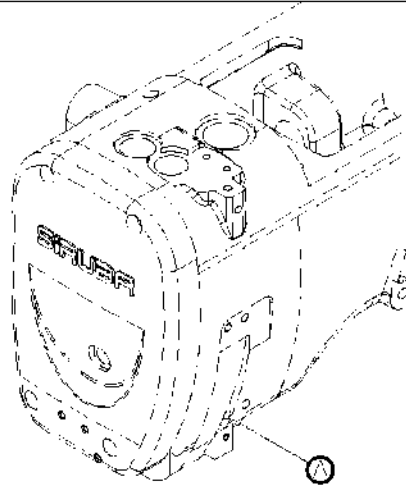
Page

6/12

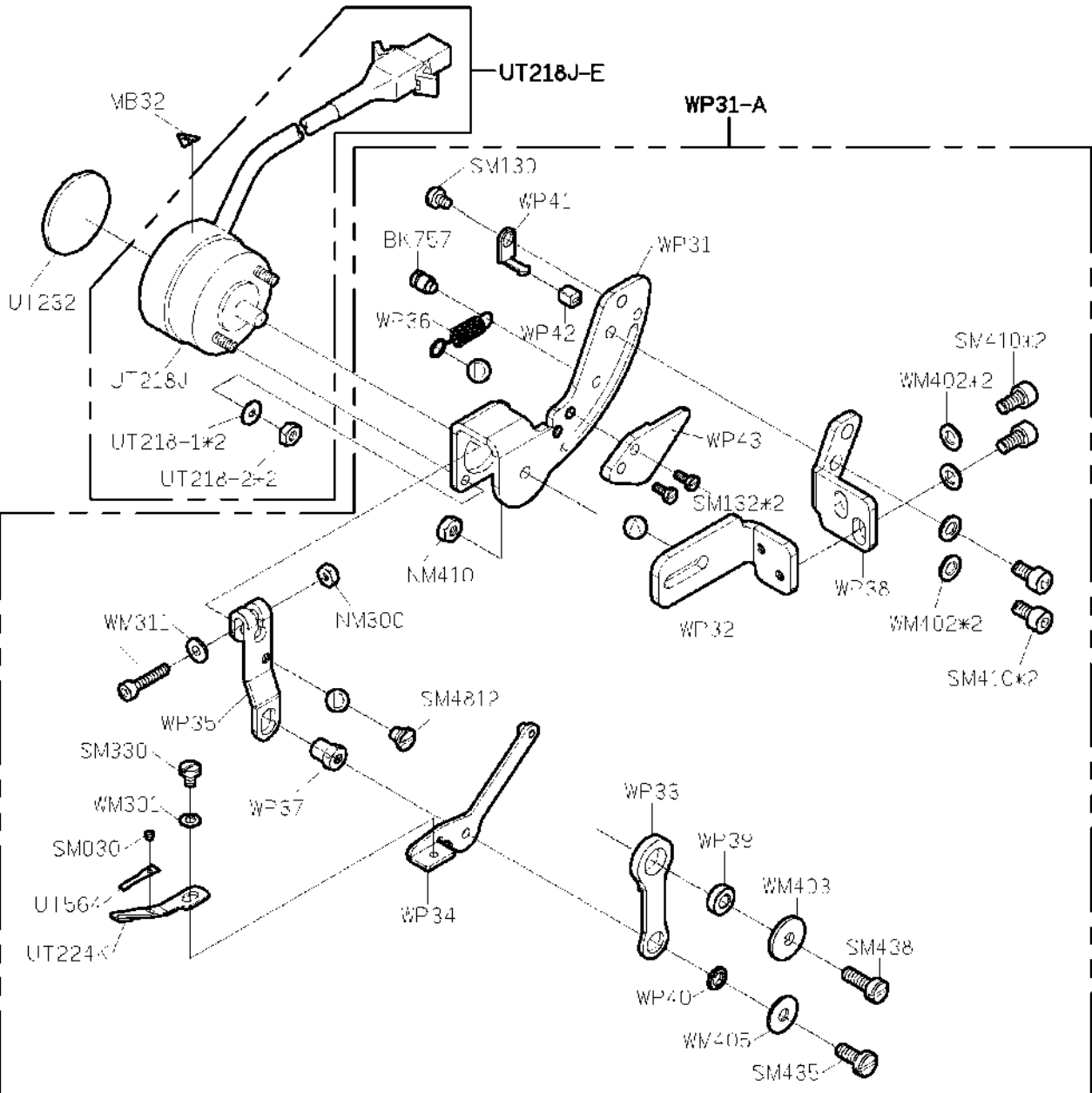
Date

S007K/S007KD **UTY-K**

2012/10/31



UT218J-A1





**SIRUBA**

PARTS LIST

Parts Group

Subclass / Remark

Page

7/12

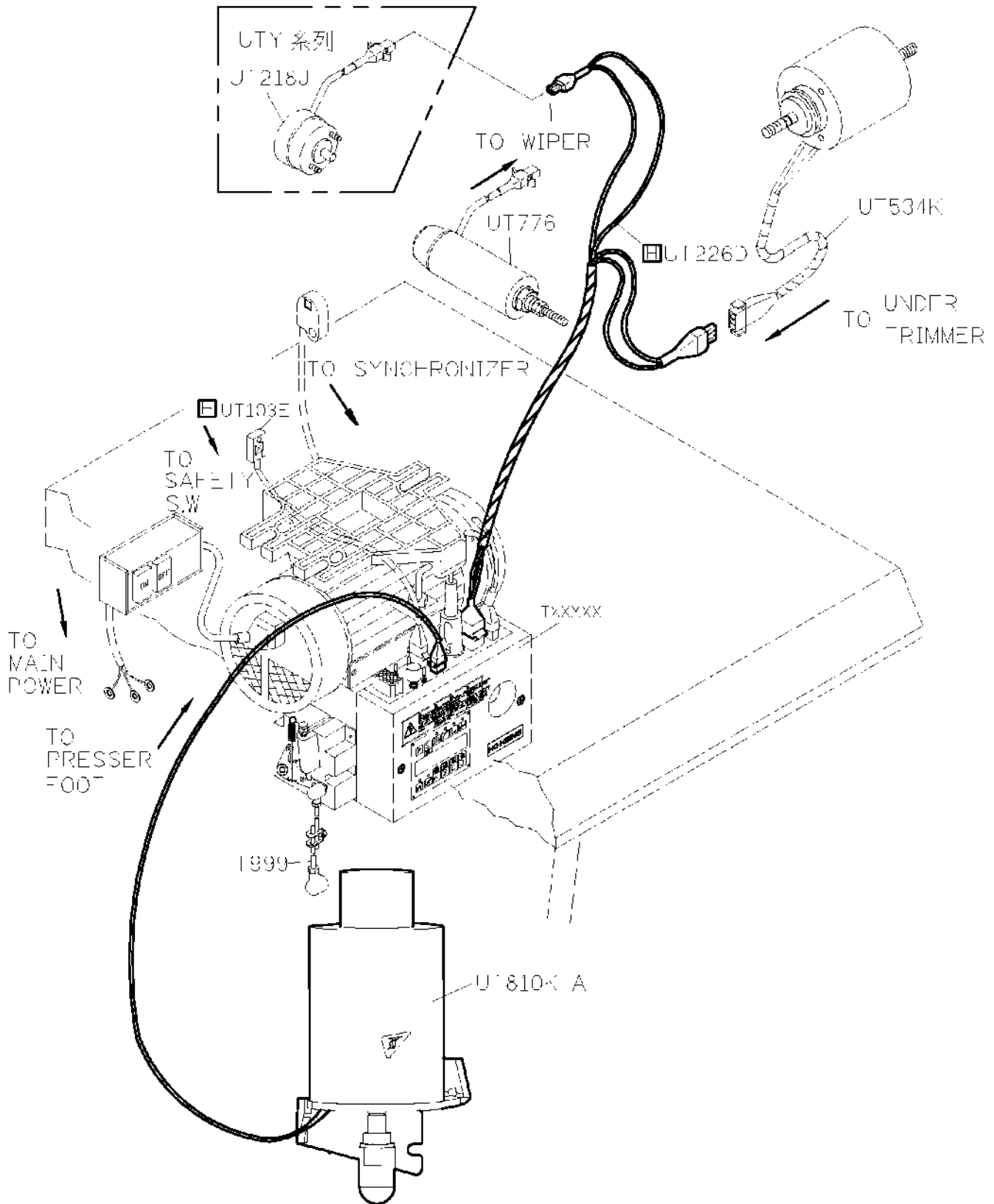
Date

S007K/S007KD UTX(UTY)-K

For S007K

☐ : Use for H brand motor

2012/10/31



**SIRUBA**

PARTS LIST

Parts Group

Subclass / Remark

Page

8/12

Date

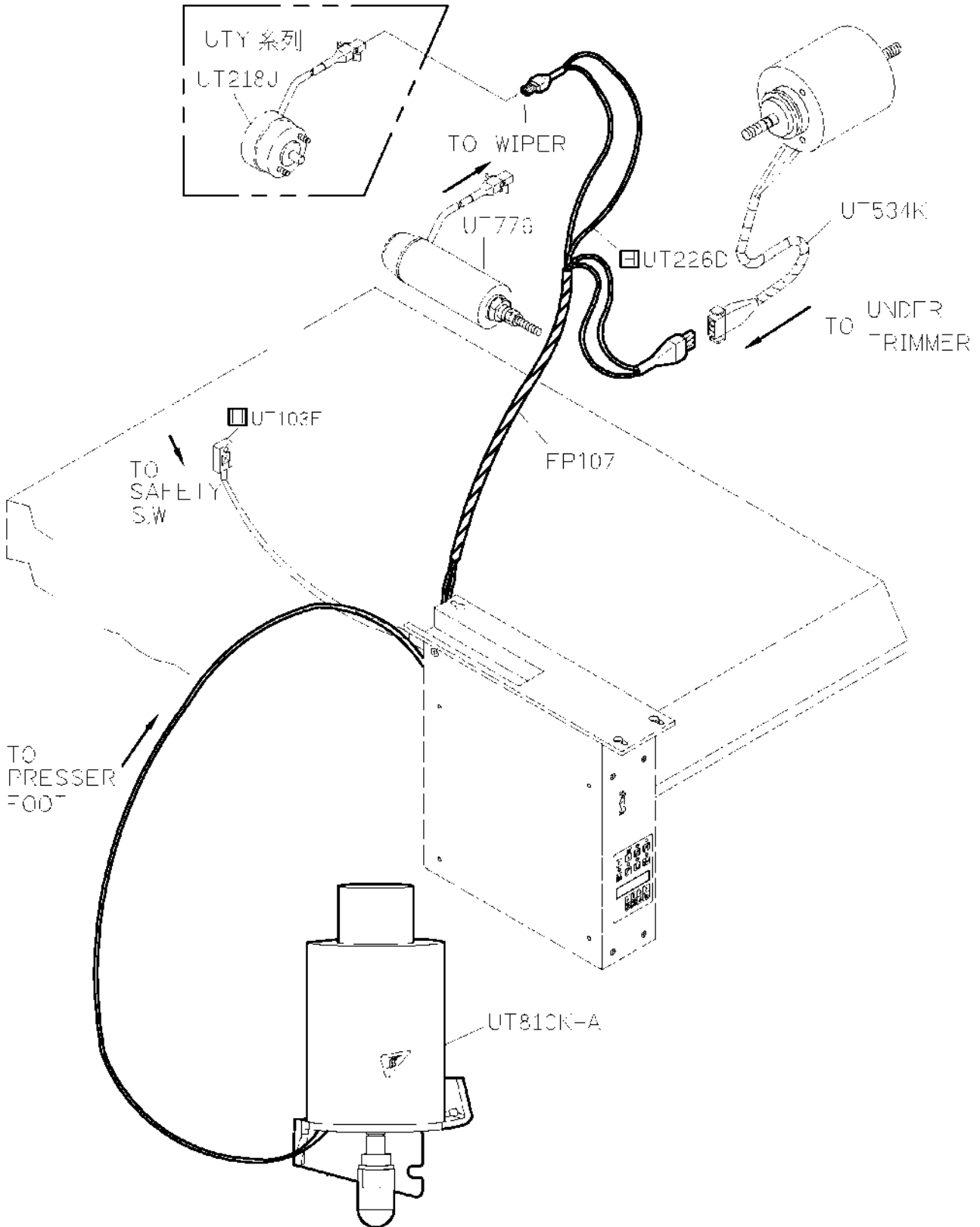
2012/10/31

S007K/S007KD UTX(UTY)-K

For S007KD

☐ : Use for H brand motor

A  
B  
C  
D  
E



**SIRUBA**

PARTS LIST

Parts Group

Subclass / Remark

Page

9/12

Date

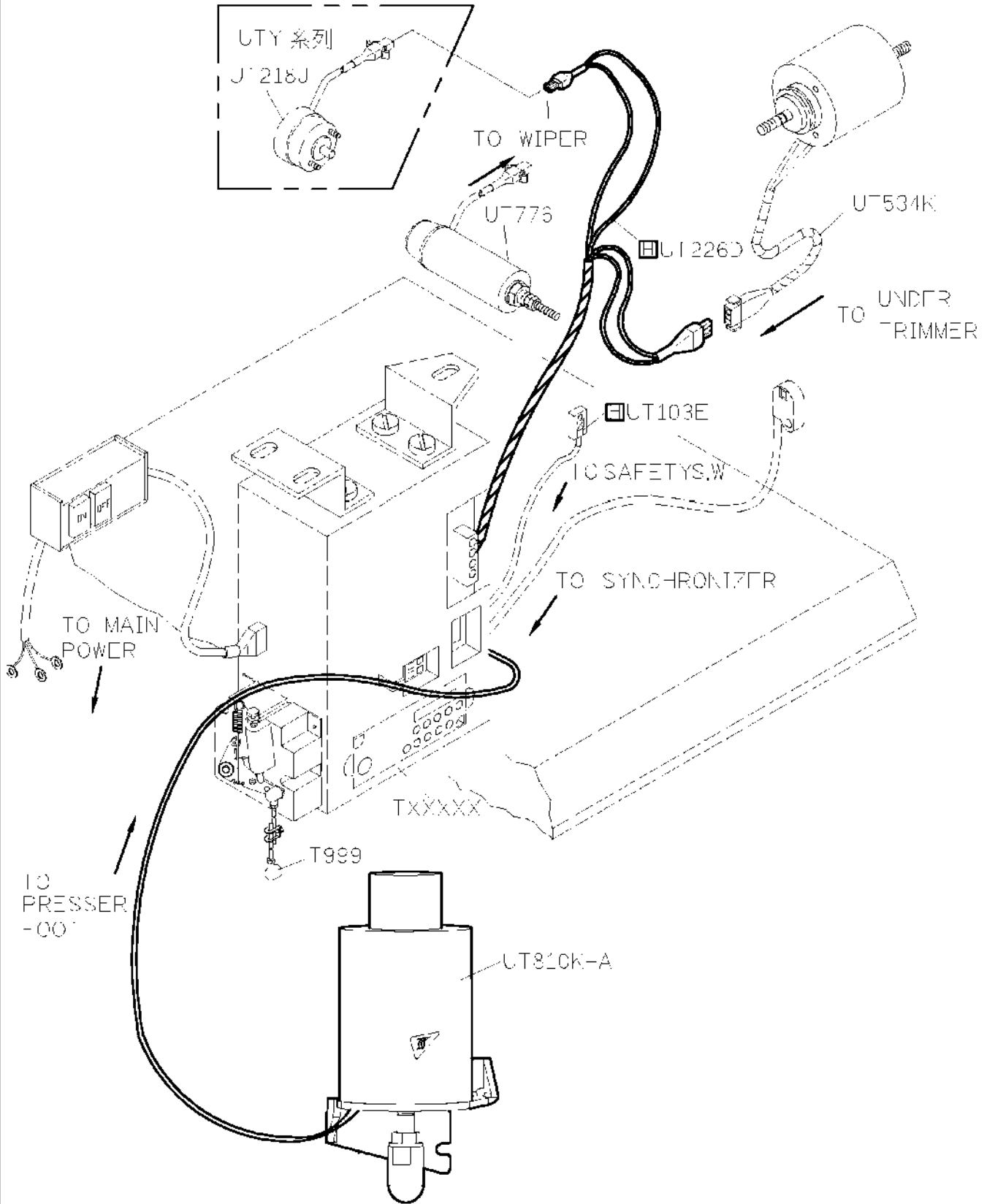
S007K/S007KD UTX(UTY)-K

For S007KD

☐ : Use for H brand motor

2012/10/31

A  
B  
C  
D  
E



**SIRUBA**

PARTS LIST

Parts Group

Subclass / Remark

Page

10/12

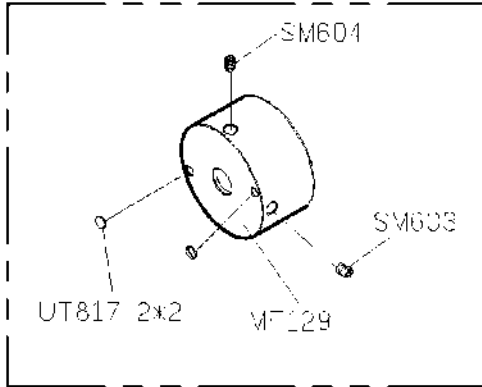
Date

2012/10/31

**S007K/S007KD** UTX(UTY)-K

For S007K

☐ : Use for H brand motor



UT818J-A

☐ JT815

SM4051

JT816

TO SYNCHRONIZER

TO MAIN POWER

1XXXXX

T993

**SIRUBA**

PARTS LIST

Parts Group

Subclass / Remark

Page

11/12

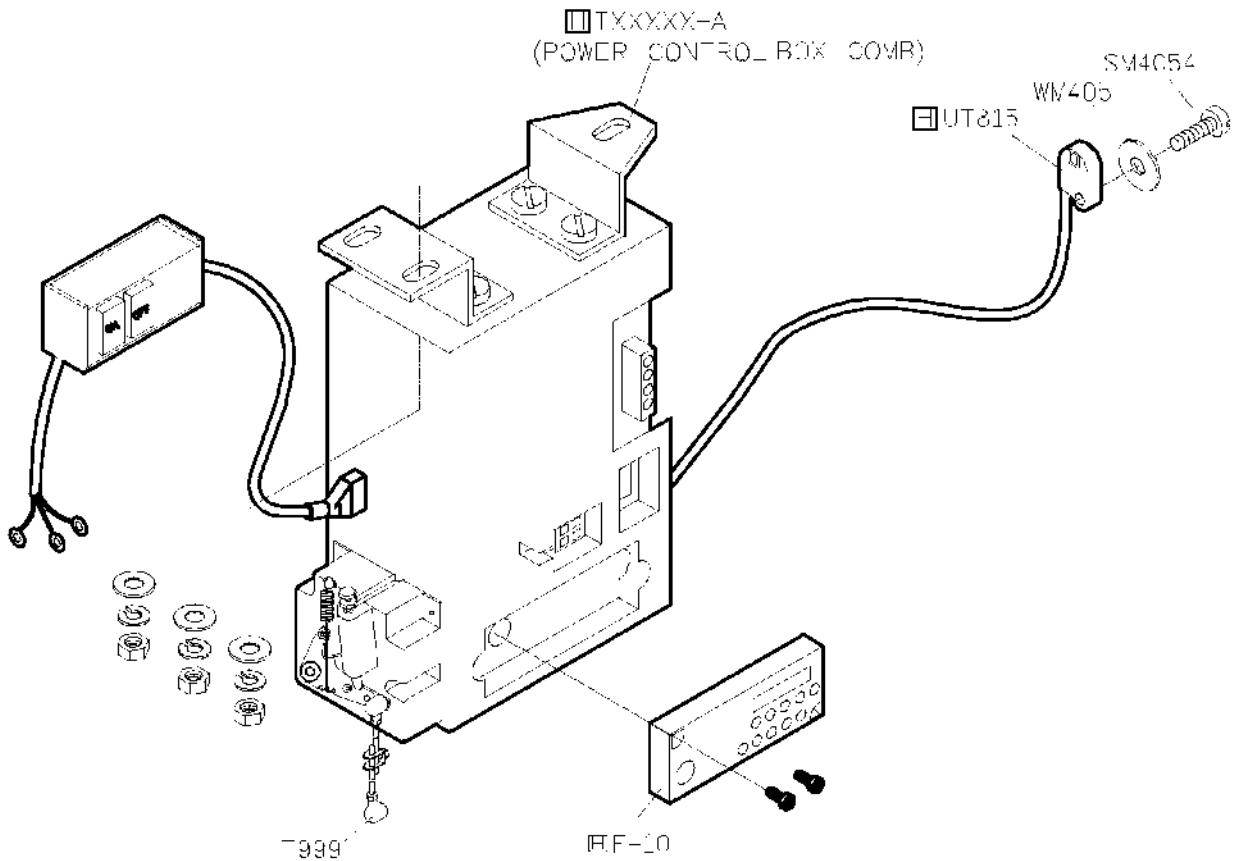
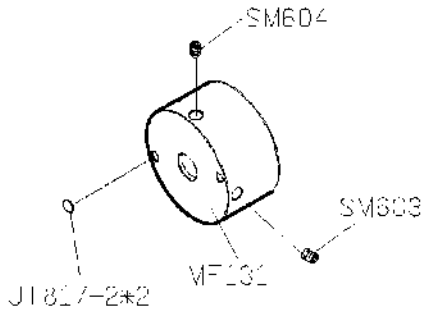
Date

**S007K/S007KD** UTX(UTY)-K

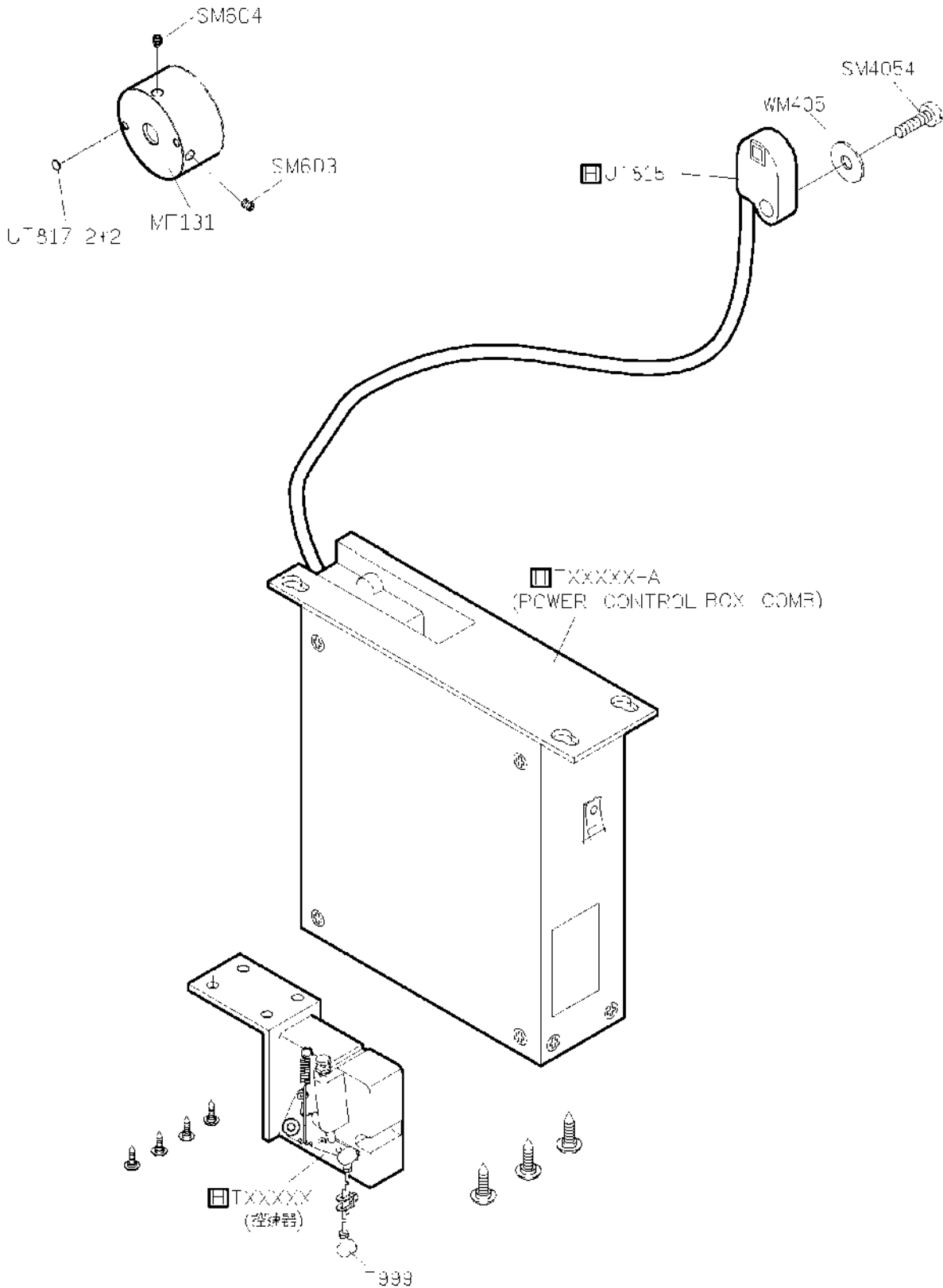
For S007KD

☐ : Use for H brand motor  
(HVP-20)

2012/10/31

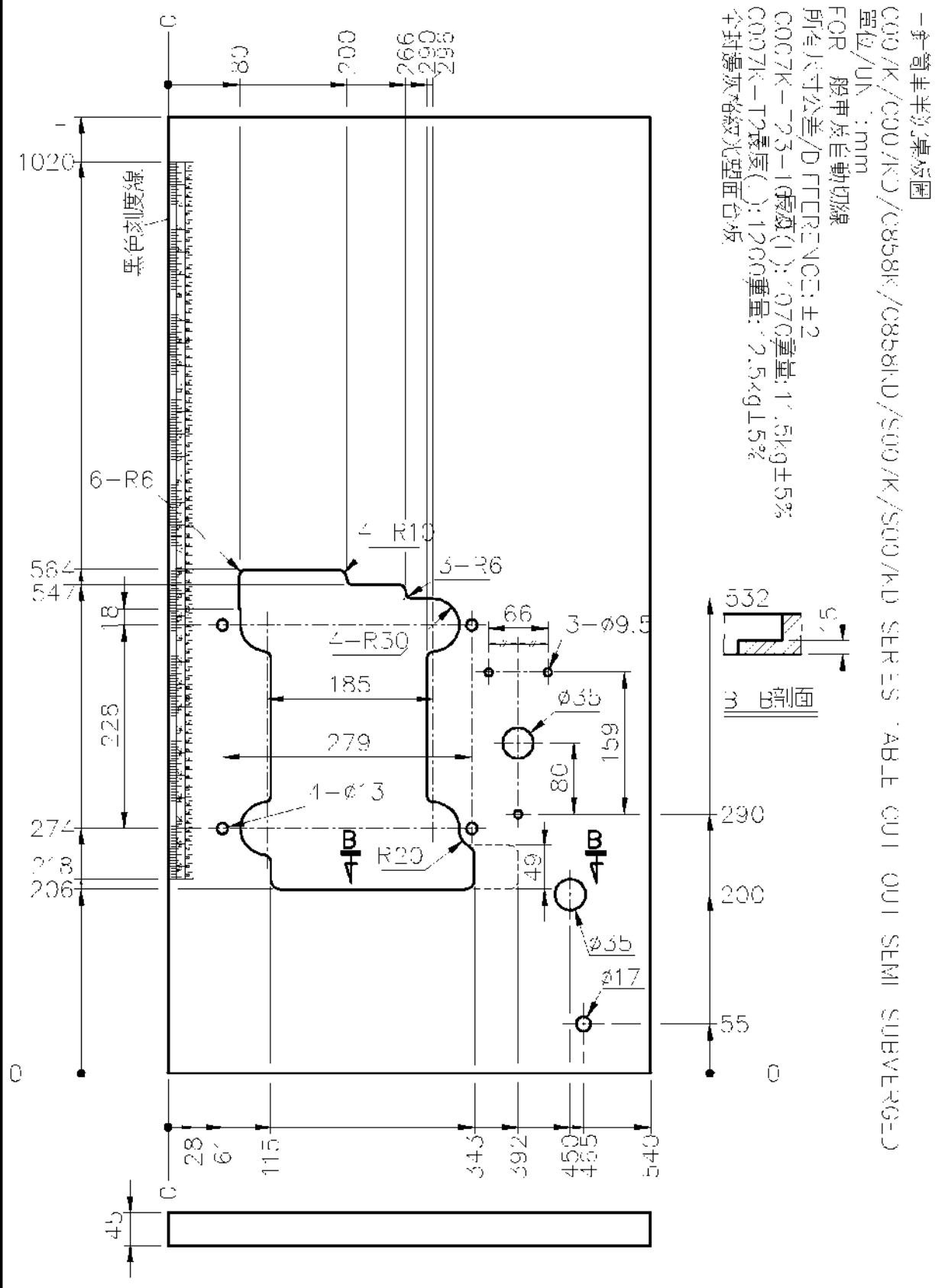


<b>SIRUBA</b> PARTS LIST	Series <b>S007K/S007KD</b>	Parts Group <b>UTX(UTY)-K</b>	Subclass / Remark For S007KD ☐ : Use for H brand motor <b>(HVP-70)</b>	Page 12/12 Date 2012/10/31
-----------------------------	-------------------------------	----------------------------------	---	-------------------------------------





<b>SIRUBA</b> <b>TABLE</b> <b>CUT - OUT</b>	<b>Series</b>	<b>Item Code</b>	<b>Subclass / Remark</b>	<b>Mounting</b>
	C007K/C007KD C858K/C858KD S007K/S007KD	<b>C007K-T23</b>	For All Series	Semi-submerged
				<b>Date</b> 2013/01/28



SIRUBA TABLE CUT - OUT	Series	Item Code	Subclass / Remark	Mounting
	C007K/C007KD C858K/C858KD S007K/S007KD	C007K-T25	For All Series excluding	Non-submerged
			① RLP,RLQ Elastic tape attaching ② CRL Models ③ Condensed stitch(CAR,CMR,SAR,SER...)	Date
				2013/01/26

