
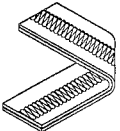
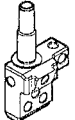
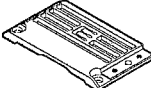
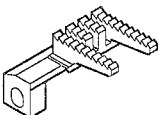

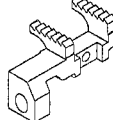
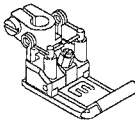

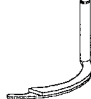

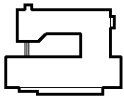



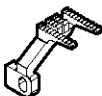

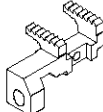
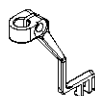
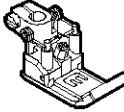



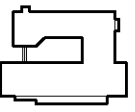


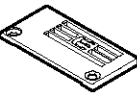
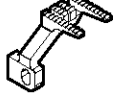
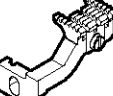
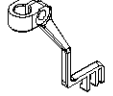
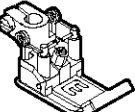



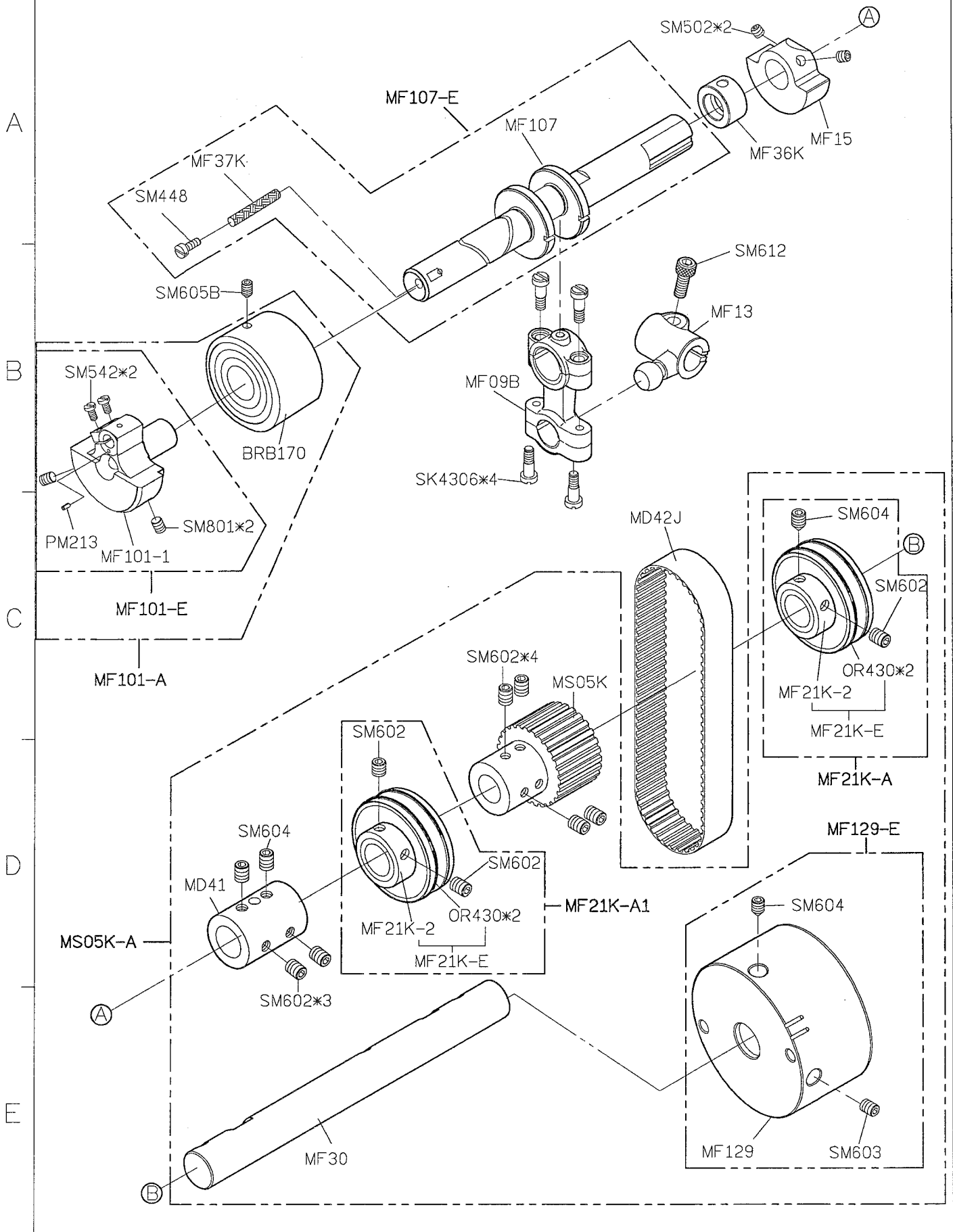


| SIRUBA<br>GAGE PARTS LIST   |             | Series  |   |   | Remark  |   |   |   |   |   | Page  | Date      |
|---|-------------|---|---|---|---|---|---|---|---|---|---|-----------|
|   |             | S007K / S007KD  |   |   |   |   |   |   |   |   | 1 / 1   | 2016/8/23 |
|  |             |  |  |  |  |  |  |  |  |  |  |           |
| MODEL   |             | SUB-CLASS   | NEEDLE CLAMP  | NEEDLE PLATE  | MAIN FEED DOG   | DIFF. FEED DOG  |   | PRESSER FOOT  | LOOPER  | LOOPER  | NEEDLE  |           |
| 機 型   |             | 規 格   | 針 座   | 針 板   | 主 送 具   | 差 送 具   |   | 押 具   | 勾 針   | 上 叉   | 針 號   |           |
| S007K(KD)   | W121/PCH-3M | 240<br>248<br>356<br>364  | M5240<br>M5248<br>M5356<br>M5364  | E4094K<br>E4095K<br>E4096K<br>E4097K  | D4324K<br>D4324K<br>D4325K<br>D4325K  | H4387K<br>H4387K<br>H4379K<br>H4379K  | H4307K<br>H4307K<br>H4308K<br>H4308K  | P2674K-A<br>P2674K-A<br>P2576K-A<br>P2576K-A  | MT01  | MH41  | UYX128GAS#10  |           |
|   | W122/PCH-3M | 240<br>248<br>356<br>364  | M5240<br>M5248<br>M5356<br>M5364  | E3994K<br>E3995K<br>E3996K<br>E3997K  | D4324K<br>D4324K<br>D4325K<br>D4325K  | H4387K<br>H4387K<br>H4379K<br>H4379K  | H4307K<br>H4307K<br>H4308K<br>H4308K  | P2674K-A<br>P2674K-A<br>P2576K-A<br>P2576K-A  | MT01  | MH41  | UYX128GAS#10  |           |
|   | W321/PCE    | 240<br>248<br>356<br>364  | M5240<br>M5248<br>M5356<br>M5364  | E4064K<br>E4065K<br>E4066K<br>E4067K  | D4324K<br>D4324K<br>D4325K<br>D4325K  | H4487K<br>H4487K<br>H4479K<br>H4479K  | H4307K<br>H4307K<br>H4308K<br>H4308K  | P2674K-A<br>P2674K-A<br>P2576K-A<br>P2576K-A  | MT01  | MH41  | UYX128GAS#10  |           |
|   | W322/PCE    | 240<br>248<br>356<br>364  | M5240<br>M5248<br>M5356<br>M5364  | E3964K<br>E3965K<br>E3966K<br>E3967K  | D4324K<br>D4324K<br>D4325K<br>D4325K  | H4487K<br>H4487K<br>H4479K<br>H4479K  | H4307K<br>H4307K<br>H4308K<br>H4308K  | P2674K-A<br>P2674K-A<br>P2576K-A<br>P2576K-A  | MT01  | MH41  | UYX128GAS#10  |           |

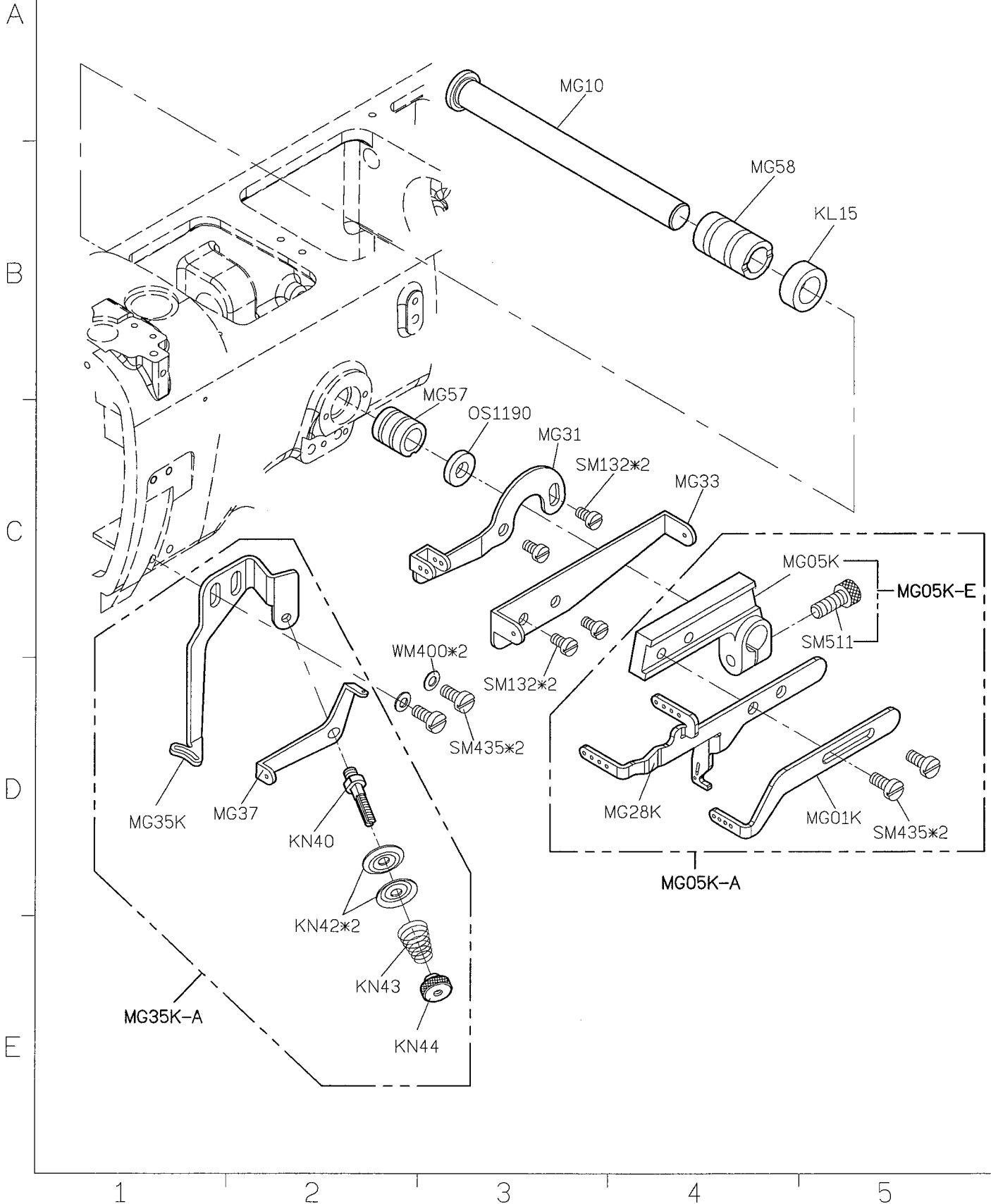
| SIRUBA<br>GAGE PARTS LIST   |   | Series  |   |   |   |   | Remark  |   |   |   |   | Page | Date       |
|---|---|---|---|---|---|---|---|---|---|---|---|------|------------|
|   |   | S007KD  |   |   |   |   | USE FOR FFT   |   |   |   |   | 1/2  | 2013/09/12 |
|  |  |  |  |  |  |  |  |  |  |  |  |      |            |
| MODEL   | SUB-CLASS   | NEEDLE CLAMP  | NEEDLE PLATE  | MAIN FEED DOG   | DIFF. FEED DOG  |   | TOP FEED DOG  | PRESSER FOOT  | LOOPER  | SPREADER  | NEEDLE  |      |            |
| 機 型   | 規 格   | 針 座   | 針 板   | 主送具   | 差送具   |   | 上送具   | 壓 具   | 勾 針   | 上 叉   | 使用針   |      |            |
| W121/FFT/PCH  | 240   | M5240   | E4094K  | D4324K  | H4387K  | H4307K  | F7240N  | P7240N-A<br>P7248N-A<br>P7356N-A<br>P7364N-A  | MT01  | MH41  | UYX128GAS#10  |      |            |
|   | 248   | M5248   | E4095K  | D4325K  | H4379K  | H4308K  | F7356N  |   |   |   |   |      |            |
| W121/FFT/PCH<br>/UTT(UTX)   | 240   | M5240   | E4094K  | D4324K  | H4387K  | H4307K  | F7240N  | P7240N-A<br>P7248N-A<br>P7356N-A<br>P7364N-A  | MT01  | MH41  | UYX128GAS#10  |      |            |
|   | 248   | M5248   | E4095K  | D4325K  | H4379K  | H4308K  | F7356N  |   |   |   |   |      |            |
| W122/FFT/PCH  | 240   | M5240   | E3994K  | D4324K  | H4387K  | H4307K  | F7240N  | P7240N-A<br>P7248N-A<br>P7356N-A<br>P7364N-A  | MT01  | MH41  | UYX128GAS#10  |      |            |
|   | 248   | M5248   | E3995K  | D4325K  | H4379K  | H4308K  | F7356N  |   |   |   |   |      |            |
| W122/FFT/PCH<br>/UTT(UTX)   | 240   | M5240   | E3994K  | D4324K  | H4387K  | H4307K  | F7240N  | P7240N-A<br>P7248N-A<br>P7356N-A<br>P7364N-A  | MT01  | MH41  | UYX128GAS#10  |      |            |
|   | 248   | M5248   | E3995K  | D4325K  | H4379K  | H4308K  | F7356N  |   |   |   |   |      |            |
|   | 356   | M5356   | E4096K  |   |   |   |   |   |   |   |   |      |            |
|   | 364   | M5364   | E4097K  |   |   |   |   |   |   |   |   |      |            |
|   |   |   |   |   |   |   |   |   |   |   |   |      |            |
|   |   |   |   |   |   |   |   |   |   |   |   |      |            |
|   |   |   |   |   |   |   |   |   |   |   |   |      |            |

| SIRUBA<br>GAGE PARTS LIST   |   | Series  |   |   |   | Remark  |   |   |   |   | Page | Date       |
|---|---|---|---|---|---|---|---|---|---|---|------|------------|
|   |   | S007KD  |   |   |   | USE FOR FFT   |   |   |   |   | 2/2  | 2013/09/12 |
|  |  |  |  |  |  |  |  |  |  |  |      |            |
| MODEL   | SUB-CLASS   | NEEDLE CLAMP  | NEEDLE PLATE  | MAIN FEED DOG   | DIFF. FEED DOG  | TOP FEED DOG  | PRESSER FOOT  | LOOPER  | SPREADER  | NEEDLE  |      |            |
| 機 型   | 規 格   | 針 座   | 針 板   | 主送具   | 差送具   | 上送具   | 壓 具   | 勾 針   | 上 叉   | 使用針   |      |            |
| W131/FFT/PCH  | 240   | M5240   | E7240SL   | D7240S  | H7240S  | F7240F  | P7240F-A  | MT01  | MH41  | UYX128GAS#10  |      |            |
|   | 248   | M5248   | E7248SL   |   |   |   | P7248F-A  |   |   |   |      |            |
|   | 356   | M5356   | E7356SL   | D7356S  | H7356S  | F7356F  | P7356F-A  |   |   |   |      |            |
|   | 364   | M5364   | E7364SL   |   |   |   | P7364F-A  |   |   |   |      |            |
| W131/FFT/PCH<br>/UTT(UTX)   | 240   | M5240   | E7240SL   | D7240S  | H7240S  | F7240F  | P7240F-A  | MT01  | MH41  | UYX128GAS#10  |      |            |
|   | 248   | M5248   | E7248SL   |   |   |   | P7248F-A  |   |   |   |      |            |
|   | 356   | M5356   | E7356SL   | D7356S  | H7356S  | F7356F  | P7356F-A  |   |   |   |      |            |
|   | 364   | M5364   | E7364SL   |   |   |   | P7364F-A  |   |   |   |      |            |
| W132/FFT/PCH  | 240   | M5240   | E7240SM   | D7240S  | H7240S  | F7240F  | P7240F-A  | MT01  | MH41  | UYX128GAS#10  |      |            |
|   | 248   | M5248   | E7248SM   |   |   |   | P7248F-A  |   |   |   |      |            |
|   | 356   | M5356   | E7356SM   | D7356S  | H7356S  | F7356F  | P7356F-A  |   |   |   |      |            |
|   | 364   | M5364   | E7364SM   |   |   |   | P7364F-A  |   |   |   |      |            |
| W132/FFT/PCH<br>/UTT(UTX)   | 240   | M5240   | E7240SM   | D7240S  | H7240S  | F7240F  | P7240F-A  | MT01  | MH41  | UYX128GAS#10  |      |            |
|   | 248   | M5248   | E7248SM   |   |   |   | P7248F-A  |   |   |   |      |            |
|   | 356   | M5356   | E7356SM   | D7356S  | H7356S  | F7356F  | P7356F-A  |   |   |   |      |            |
|   | 364   | M5364   | E7364SM   |   |   |   | P7364F-A  |   |   |   |      |            |
|   |   |   |   |   |   |   |   |   |   |   |      |            |
|   |   |   |   |   |   |   |   |   |   |   |      |            |
|   |   |   |   |   |   |   |   |   |   |   |      |            |

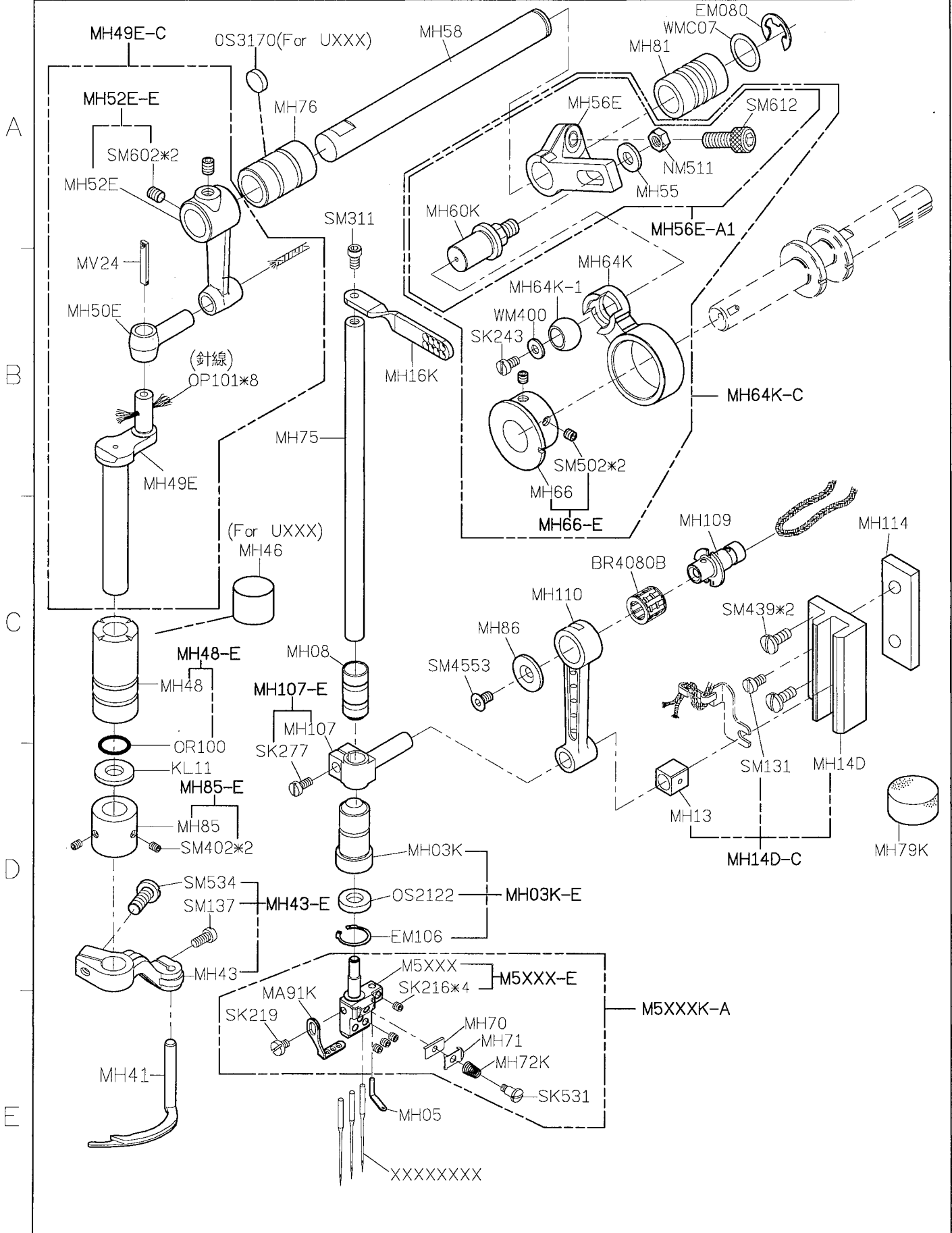
| SIRUBA<br>PARTS LIST | Series       | Parts Group | Subclass / Remark                           | Page              |
|----------------------|--------------|-------------|---|-------------------|
|                      | S007K/S007KD | MF-K        | For S007K/S007KD 2 <sup>nd</sup> Generation | 1/1               |
|                      |              |             |   | Date<br>2016/8/25 |



| SIRUBA<br>PARTS LIST | Series       | Parts Group | Subclass / Remark | Page     |
|----------------------|--------------|-------------|-------------------|----------|
|                      | S007K/S007KD | MG-K        |                   | 1/1      |
|                      |              |             |                   | Date     |
|                      |              |             |                   | 2016/9/6 |

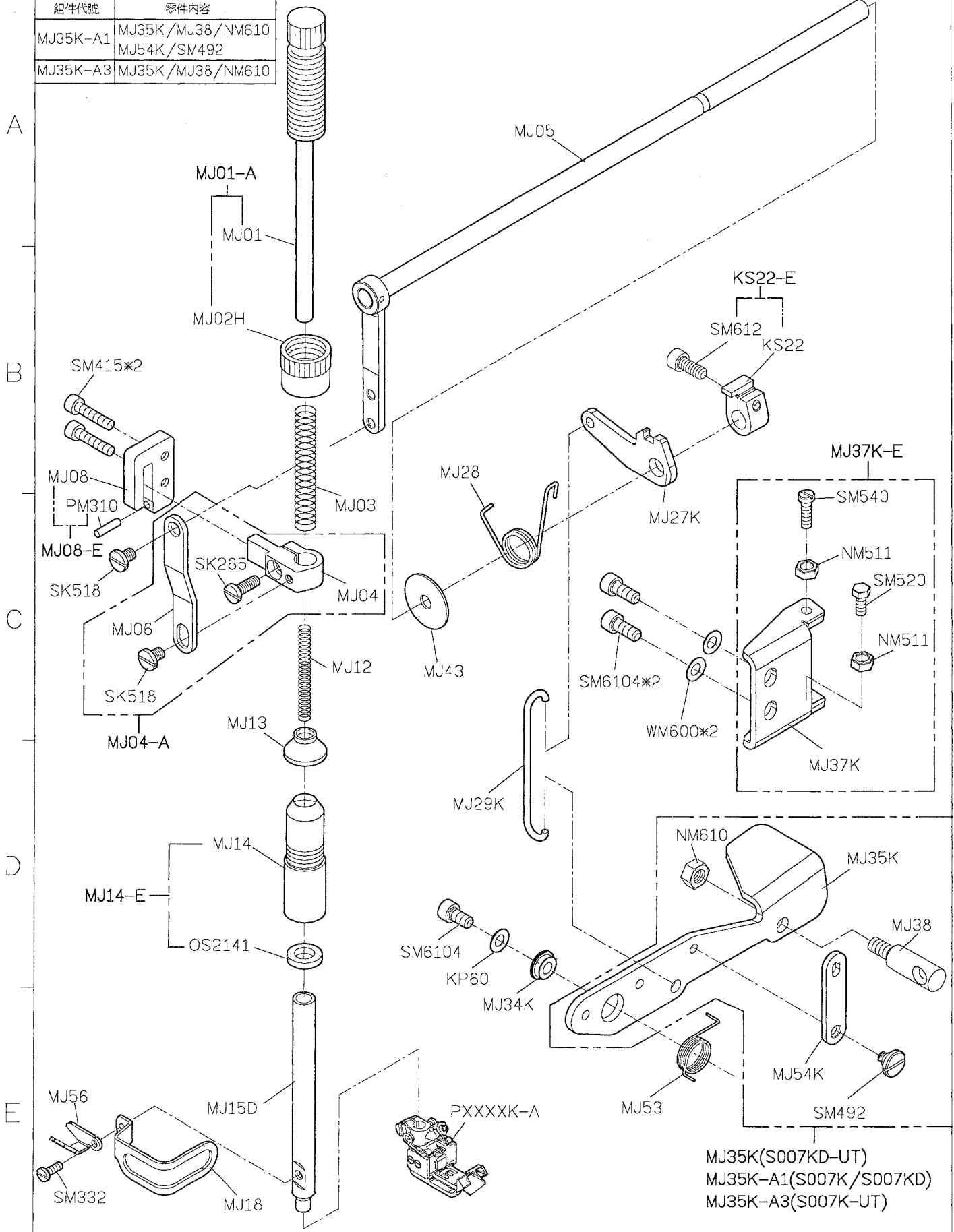


|                             |              |             |                                      |          |
|-----------------------------|--------------|-------------|--------------------------------------|----------|
| <b>SIRUBA</b><br>PARTS LIST | Series       | Parts Group | Subclass / Remark                    | Page     |
|                             | S007K/S007KD | <b>MH-K</b> | For S007K 2 <sup>nd</sup> Generation | 1/1      |
|                             |              |             |                                      | Date     |
|                             |              |             |                                      | 2016/9/6 |



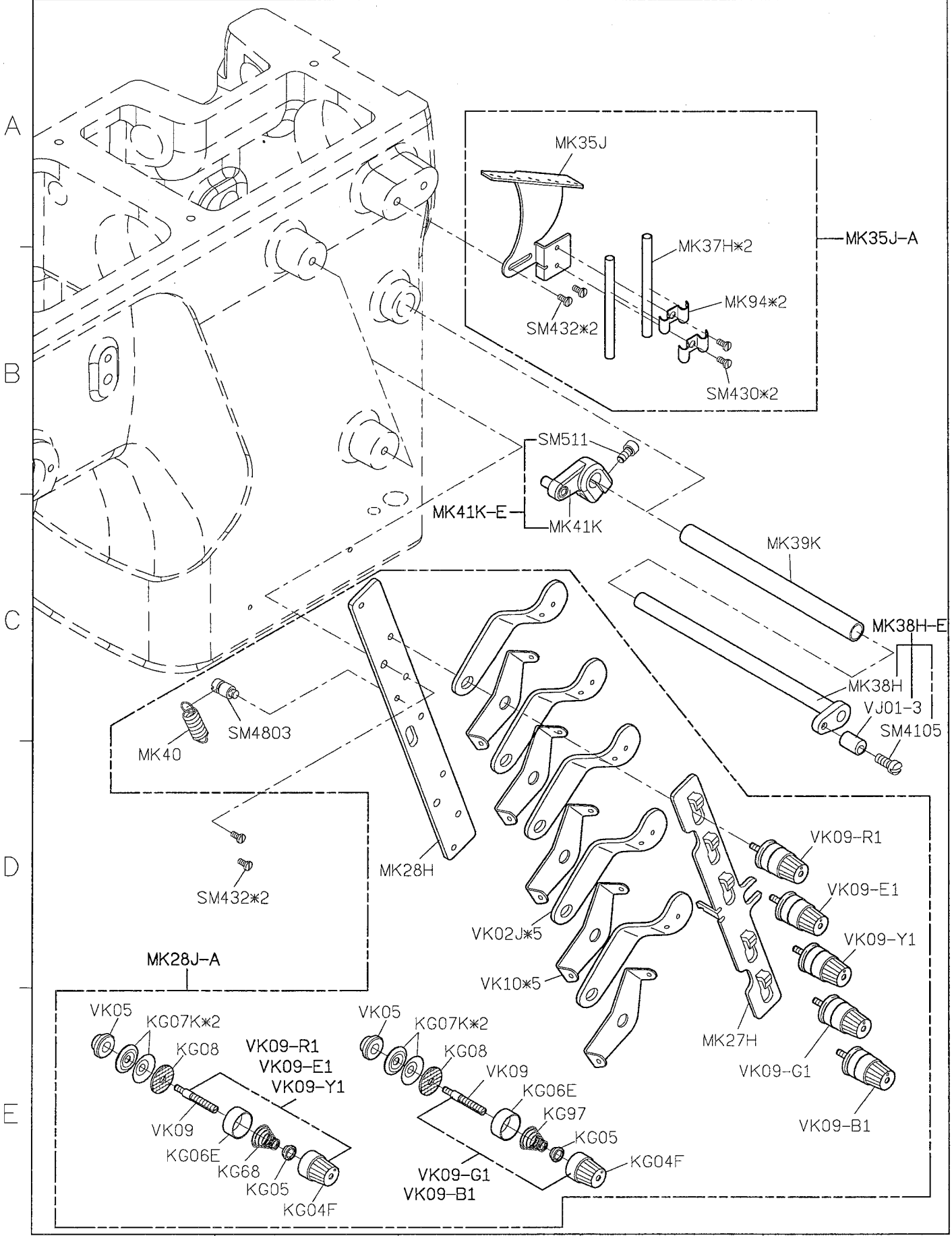
|                                    |              |             |   |           |
|------------------------------------|--------------|-------------|---|-----------|
| <b>SIRUBA</b><br><b>PARTS LIST</b> | Series       | Parts Group | Subclass / Remark                           | Page      |
|                                    | S007K/S007KD | MJ-K        | For S007K/S007KD 2 <sup>nd</sup> Generation | 1/1       |
|                                    |              |             |   | Date      |
|                                    |              |             |   | 2016/8/26 |

| 組件代號     | 零件內容                            |
|----------|---------------------------------|
| MJ35K-A1 | MJ35K/MJ38/NM610<br>MJ54K/SM492 |
| MJ35K-A3 | MJ35K/MJ38/NM610                |



MJ35K(S007KD-UT)  
MJ35K-A1(S007K/S007KD)  
MJ35K-A3(S007K-UT)

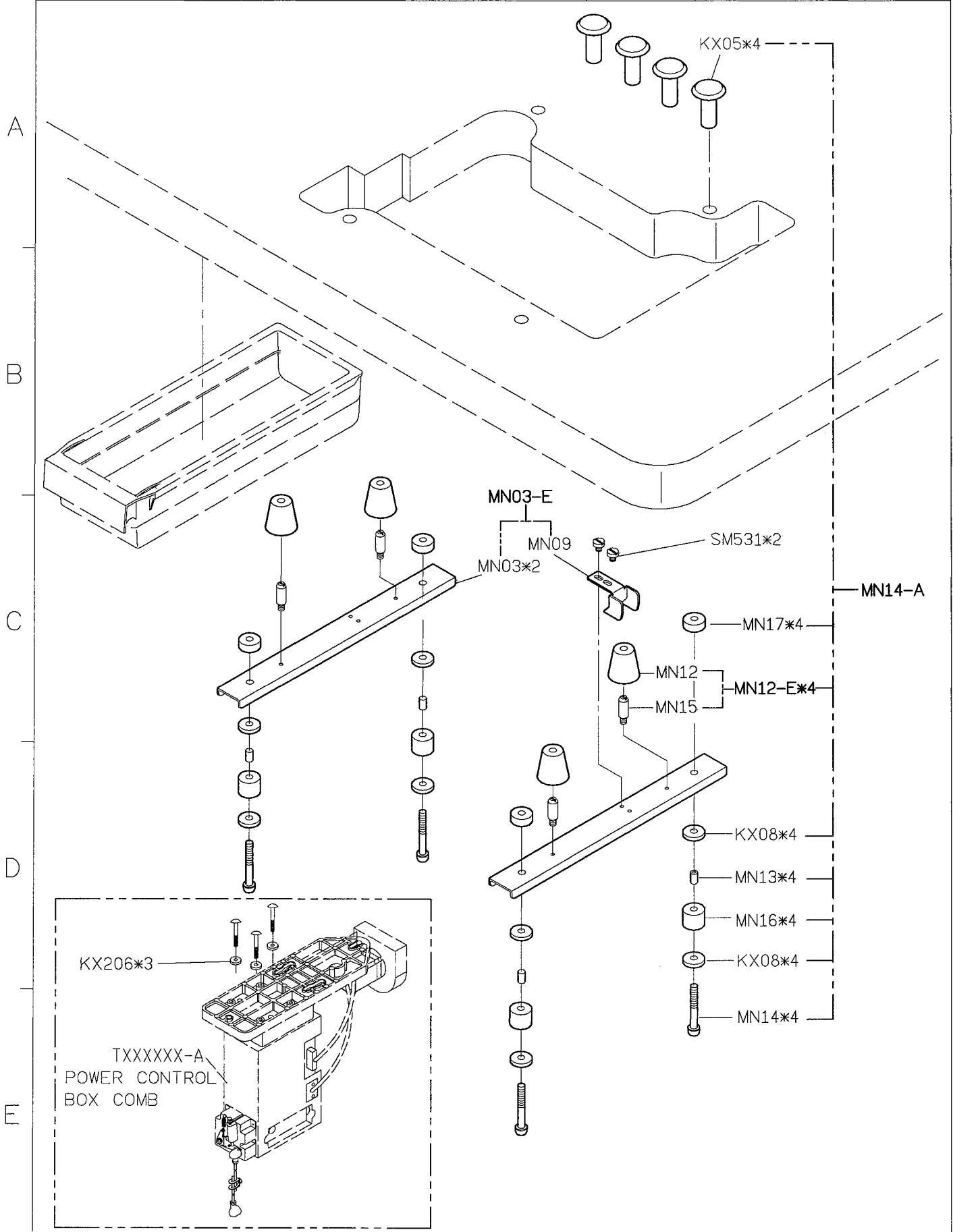
| SIRUBA<br>PARTS LIST | Series       | Parts Group | Subclass / Remark                           | Page              |
|----------------------|--------------|-------------|---|-------------------|
|                      | S007K/S007KD | MK-K        | For S007K/S007KD 2 <sup>nd</sup> Generation | 1/1               |
|                      |              |             |   | Date<br>2016/8/25 |



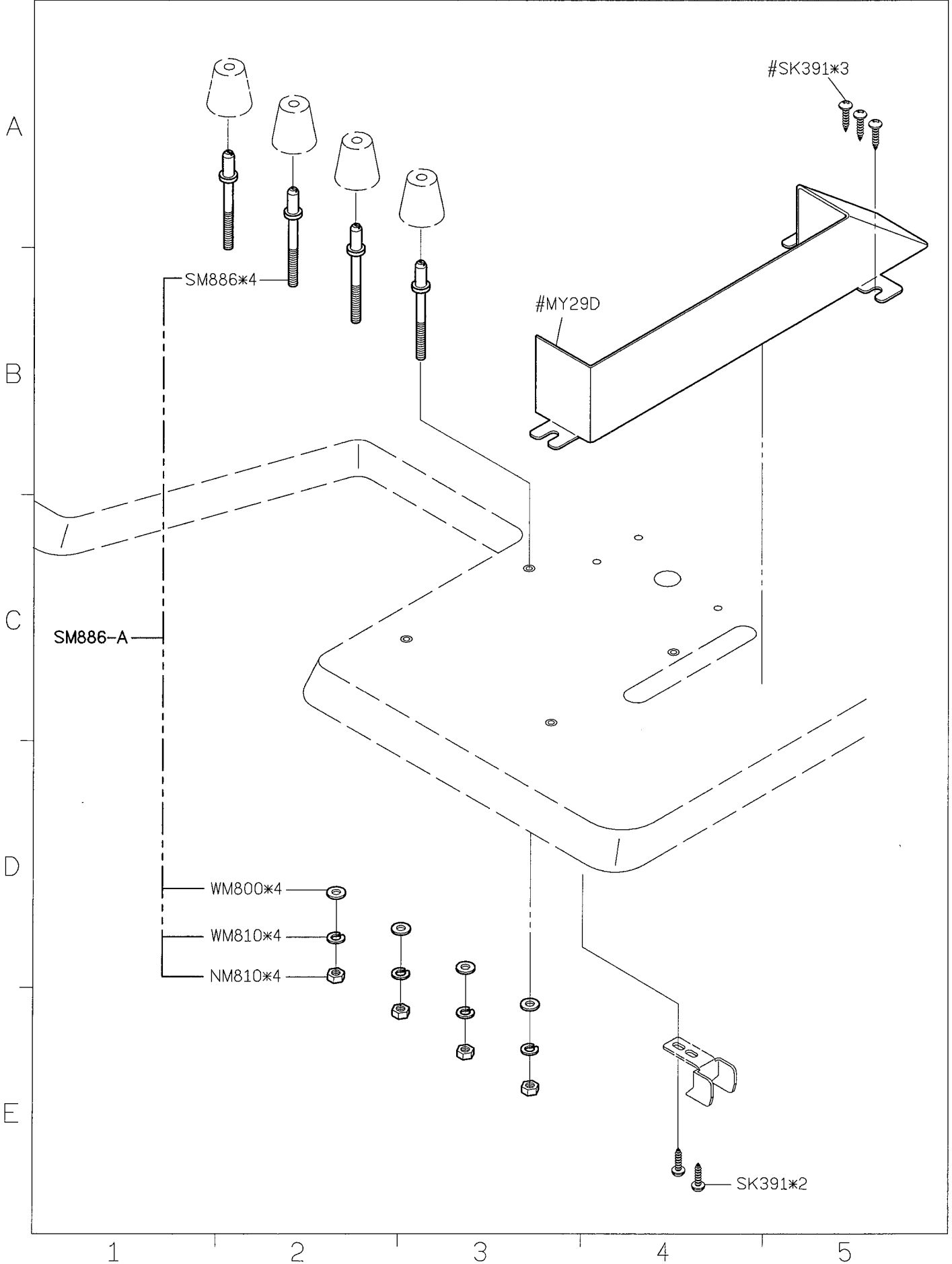
1 2 3 4 5



| SIRUBA<br>PARTS LIST | Series       | Parts Group | Subclass / Remark                    | Page     |
|----------------------|--------------|-------------|--------------------------------------|----------|
|                      | S007K/S007KD | MN-K        | For S007K 2 <sup>nd</sup> Generation | 1/2      |
|                      |              |             |                                      | Date     |
|                      |              |             |                                      | 2016/9/1 |



| SIRUBA<br>PARTS LIST | Series | Parts Group | Subclass / Remark                                       | Page                    |
|----------------------|--------|-------------|---|-------------------------|
|                      | S007K  | MN-K        | For S007K 2 <sup>nd</sup> Generation<br># Use for S007K | 2/2<br>Date<br>2016/4/8 |



**SIRUBA**

PARTS LIST

Series

S007K/S007KD

Parts Group

**SL-K**

Subclass / Remark

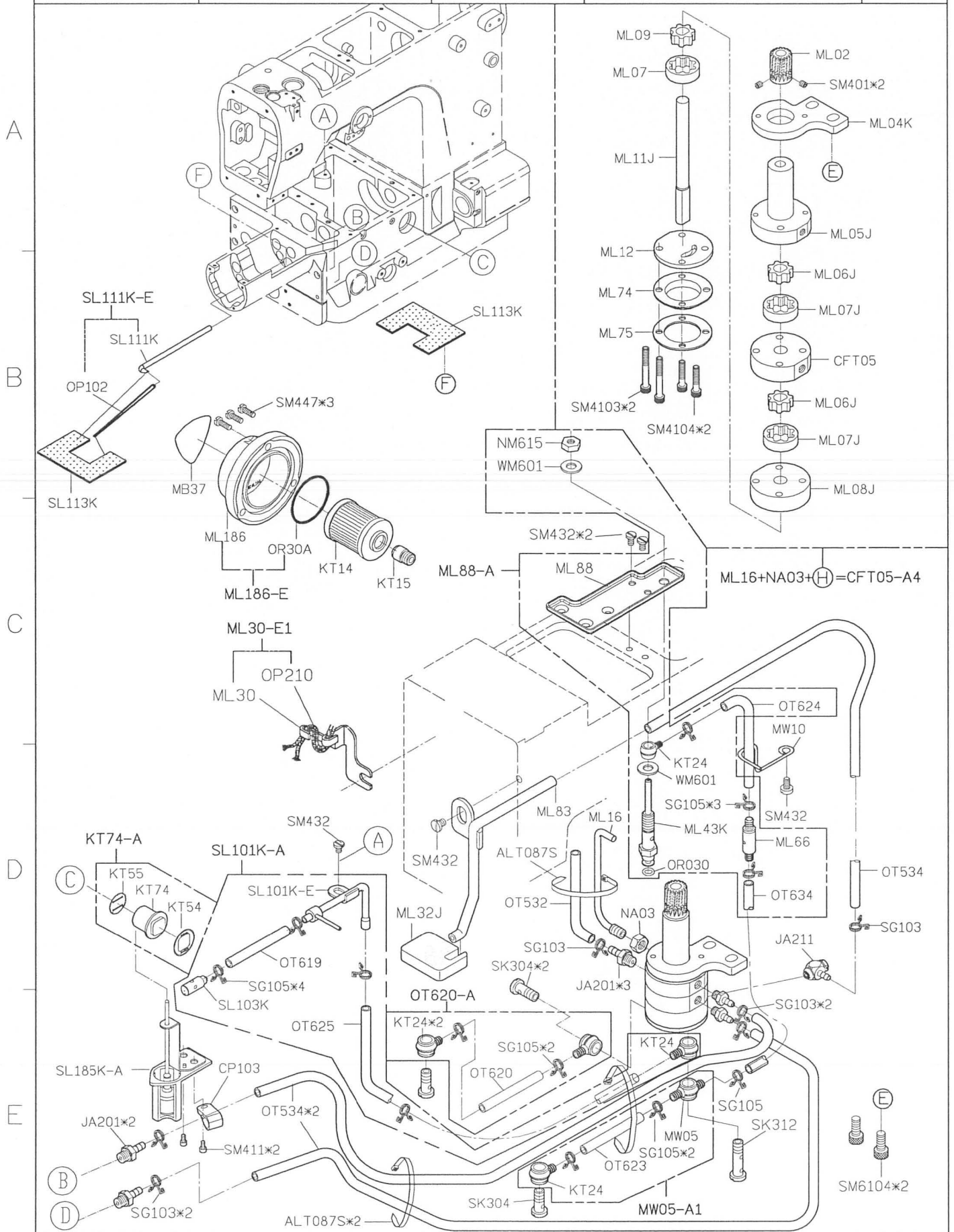
For S007K/S007KD 2<sup>nd</sup> Generation

Page

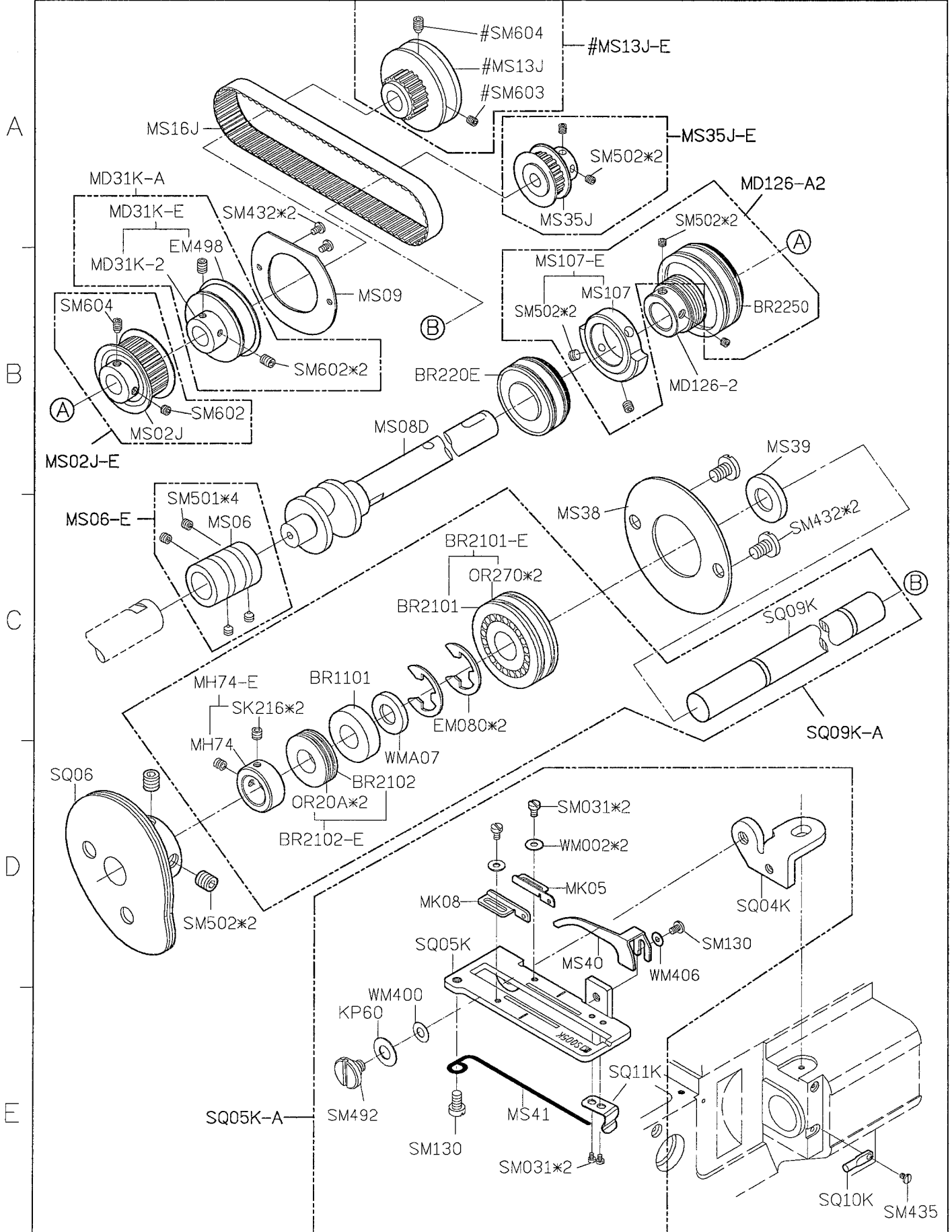
1/1

Date

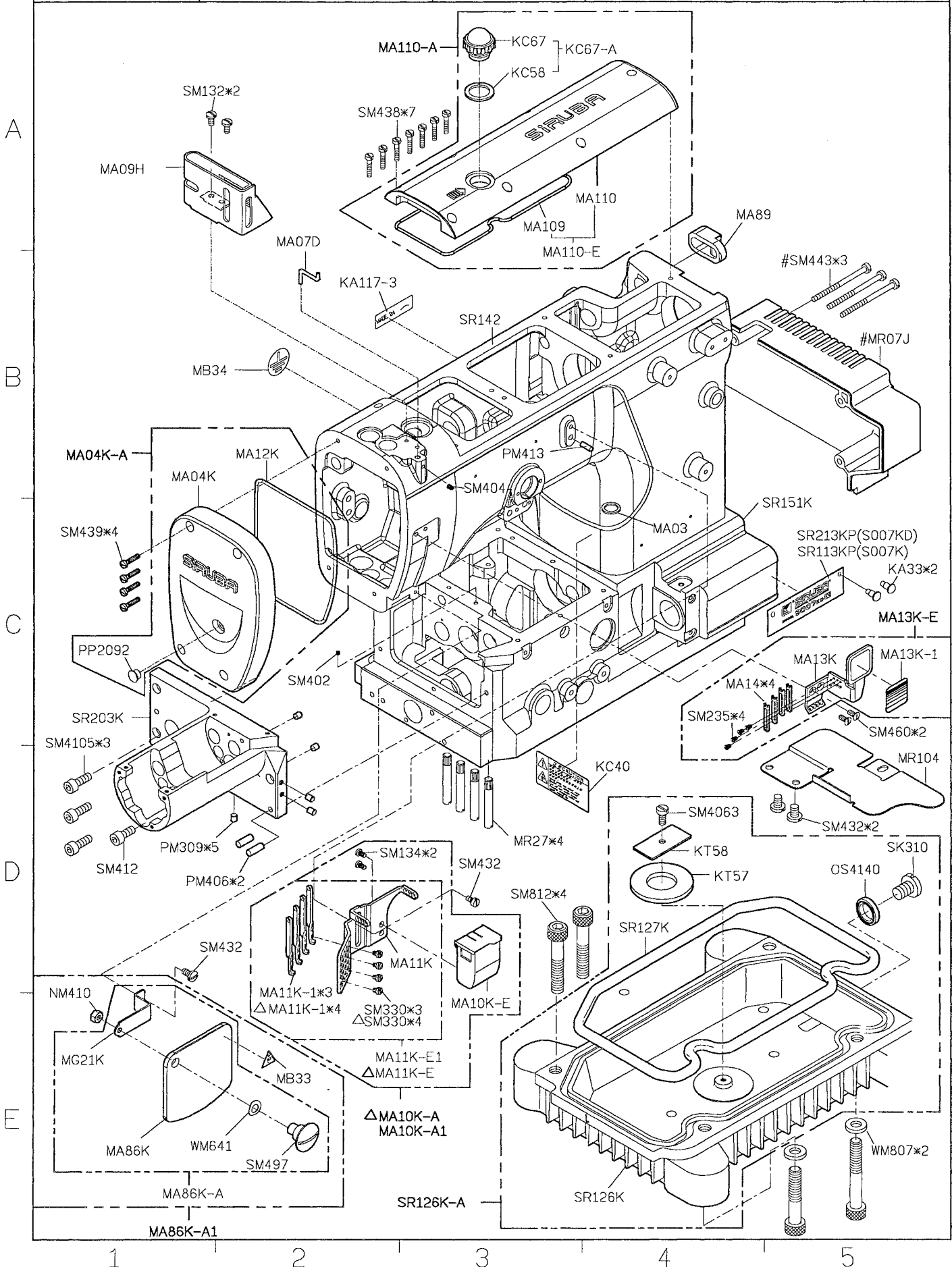
2016/8/23



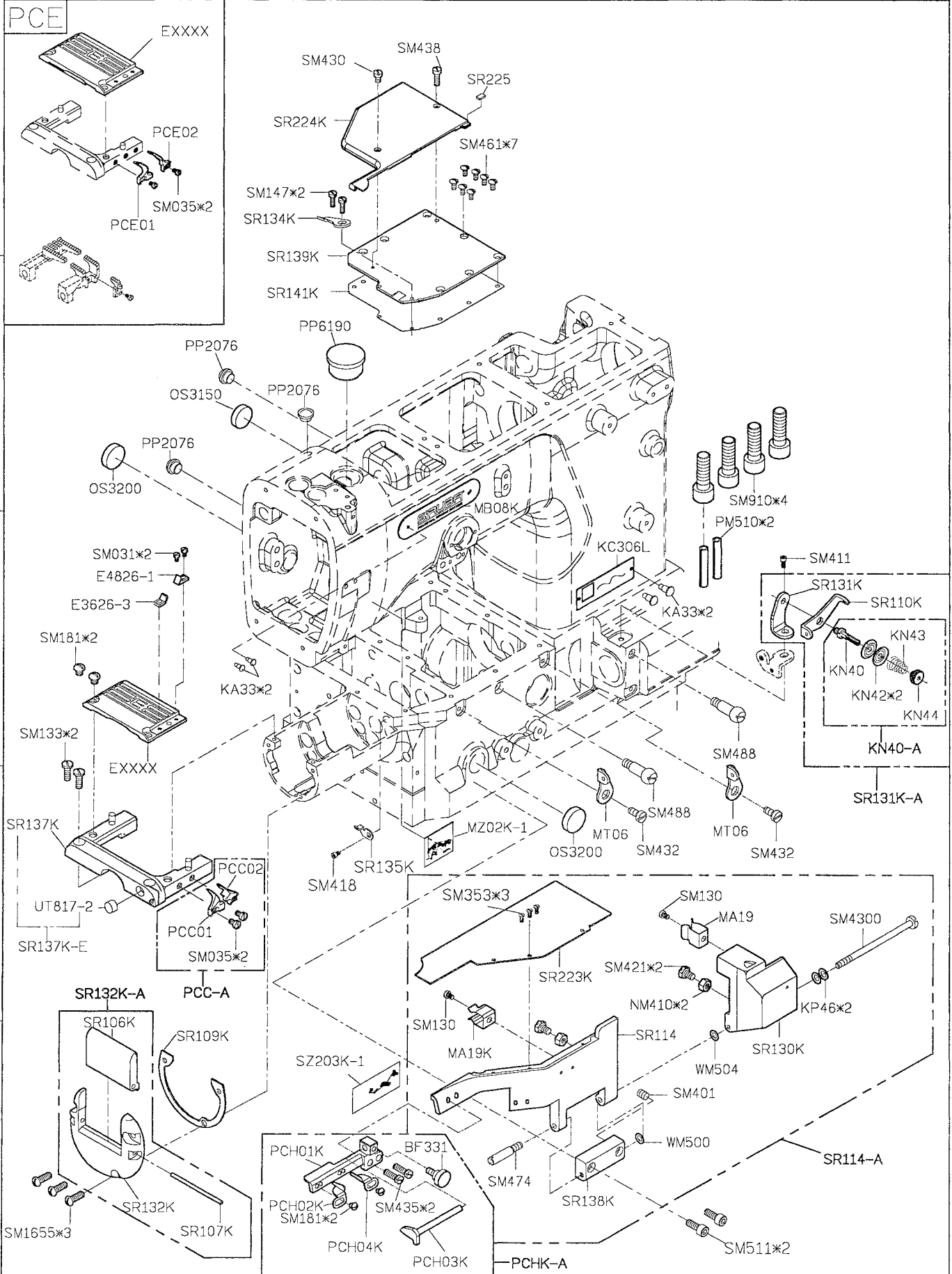
| SIRUBA<br>PARTS LIST | Series       | Parts Group | Subclass / Remark  | Page      |
|----------------------|--------------|-------------|--|-----------|
|                      | S007K/S007KD | SQ-K        | For S007K/S007KD 2 <sup>nd</sup> Generation<br># : use for S007K | 1/1       |
|                      |              |             |  | Date      |
|                      |              |             |  | 2016/8/24 |



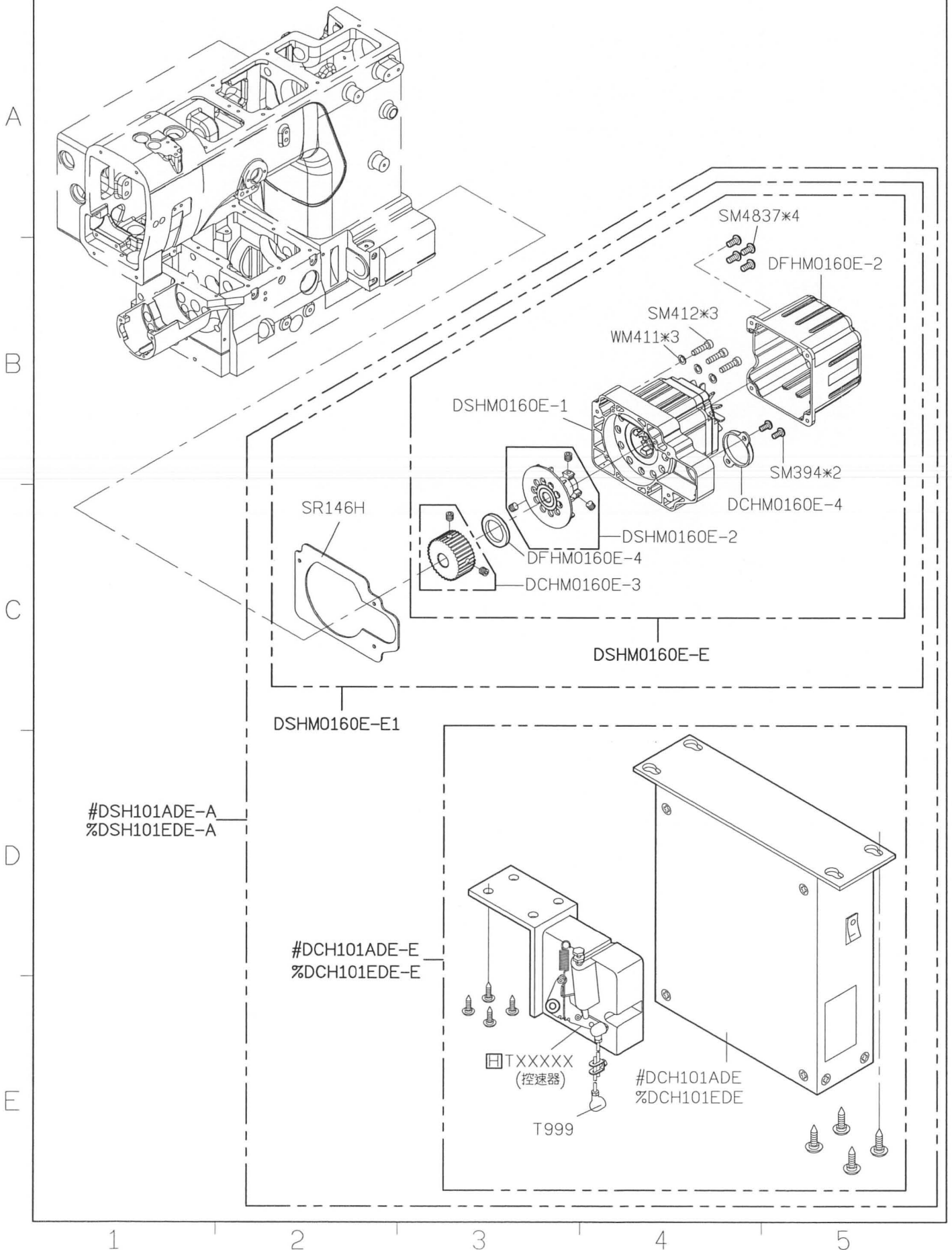
|                             |              |             |  |           |
|-----------------------------|--------------|-------------|--|-----------|
| <b>SIRUBA</b><br>PARTS LIST | Series       | Parts Group | Subclass / Remark  | Page      |
|                             | S007K/S007KD | SR-K        | For S007K/S007KD 2 <sup>nd</sup> Generation<br># : use for S007K<br>△ : use for SW | 1/4       |
|                             |              |             |  | Date      |
|                             |              |             |  | 2016/8/24 |



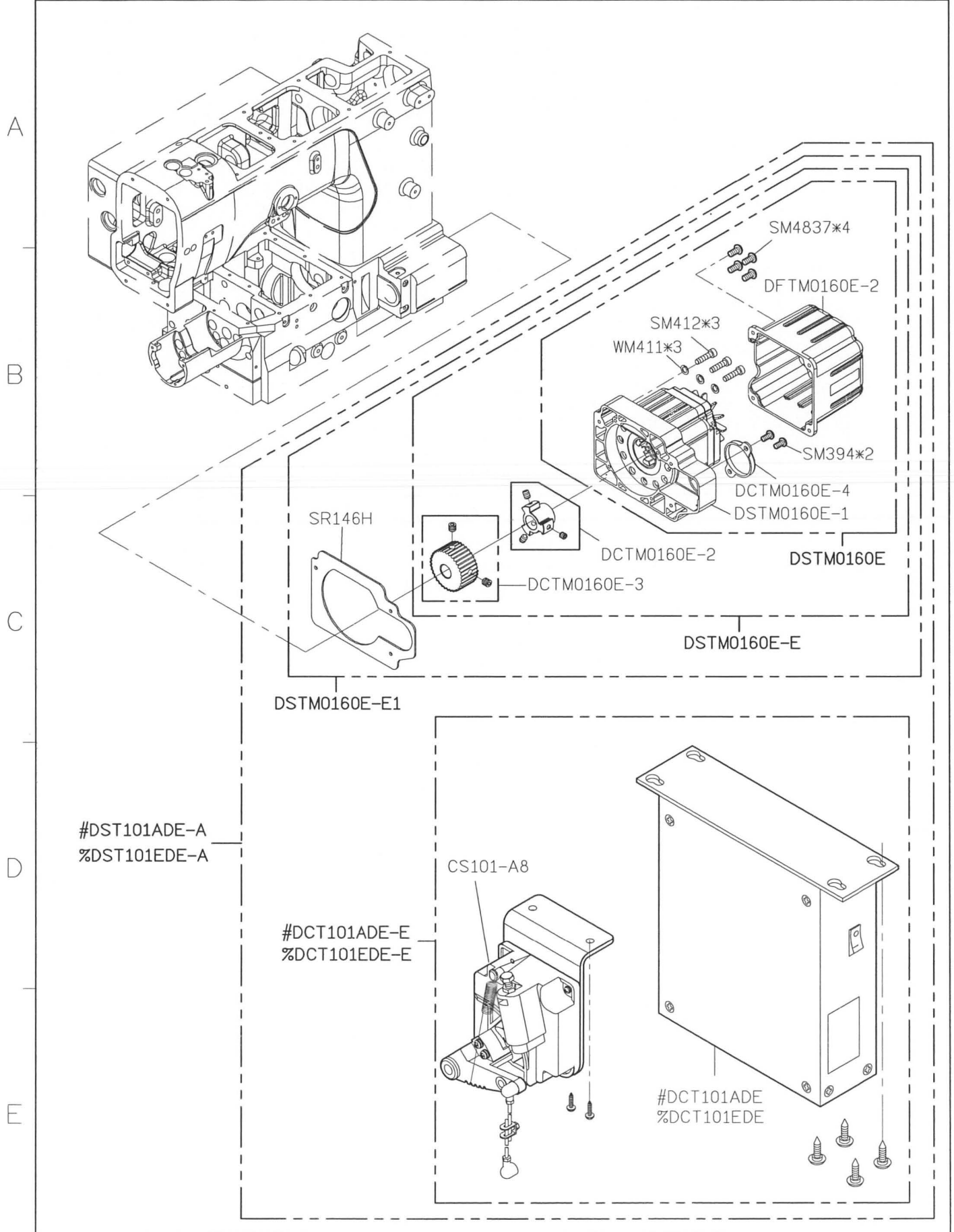
|                             |              |             |   |           |
|-----------------------------|--------------|-------------|---|-----------|
| <b>SIRUBA</b><br>PARTS LIST | Series       | Parts Group | Subclass / Remark                           | Page      |
|                             | S007K/S007KD | SR-K        | For S007K/S007KD 2 <sup>nd</sup> Generation | 2/4       |
|                             |              |             |   | Date      |
|                             |              |             |   | 2016/8/24 |



|                             |              |             |   |            |
|-----------------------------|--------------|-------------|---|------------|
| <b>SIRUBA</b><br>PARTS LIST | Series       | Parts Group | Subclass / Remark   | Page       |
|                             | S007K/S007KD | SR-K        | For S007K/S007KD 2 <sup>nd</sup> Generation<br>For Direct-Drive Motor (H牌)<br>#For Pneumatic Automatic<br>%For Electric Automatic | 3/4        |
|                             |              |             |   | Date       |
|                             |              |             |   | 2016/10/12 |



| SIRUBA<br>PARTS LIST | Series       | Parts Group | Subclass / Remark   | Page       |
|----------------------|--------------|-------------|---|------------|
|                      | S007K/S007KD | SR-K        | For S007K/S007KD 2 <sup>nd</sup> Generation<br>For Direct-Drive Motor (T牌)<br>#For Pneumatic Automatic<br>%For Electric Automatic | 4/4        |
|                      |              |             |   | Date       |
|                      |              |             |   | 2016/10/12 |

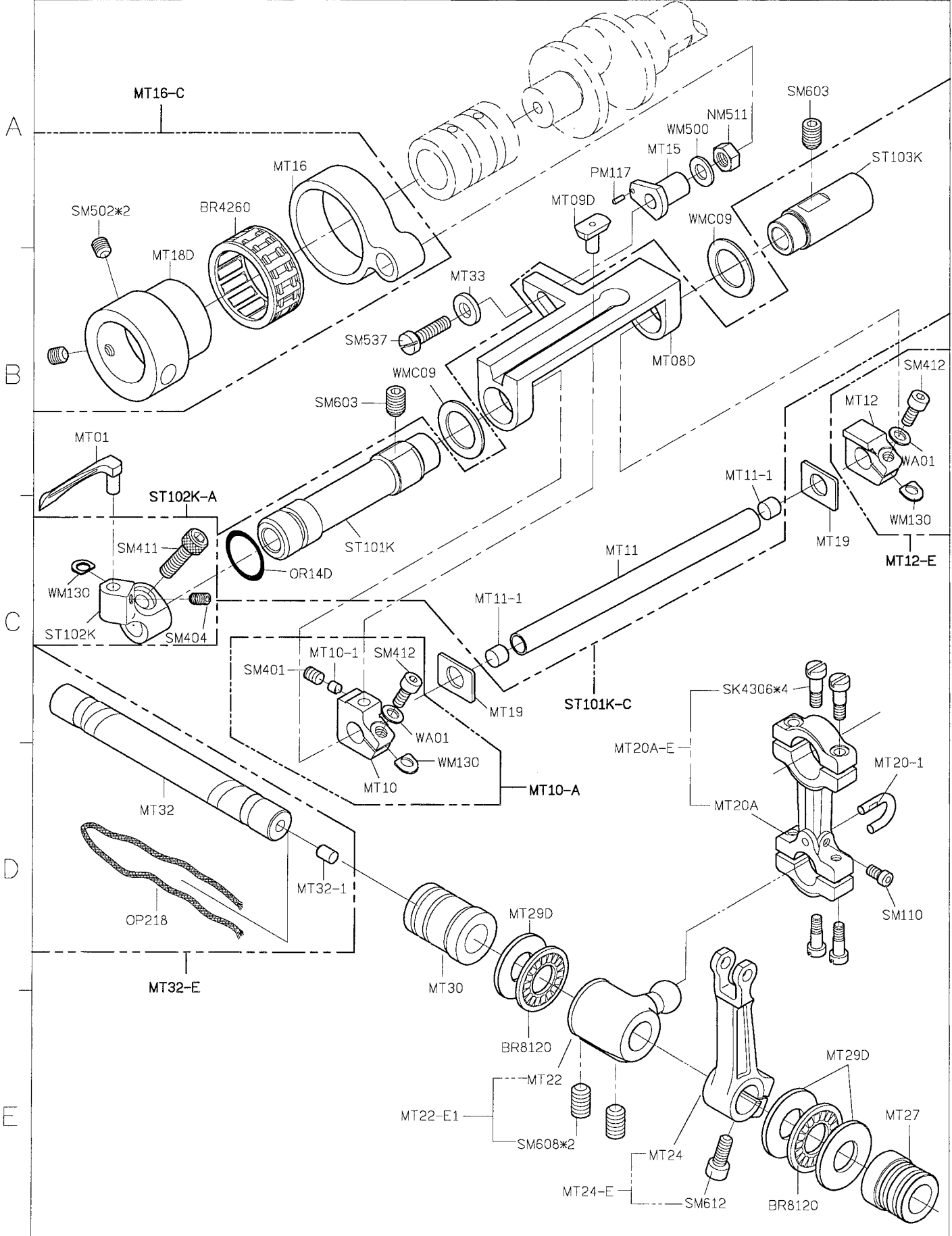


1 2 3 4 5





|                             |              |             |                                      |           |
|-----------------------------|--------------|-------------|--------------------------------------|-----------|
| <b>SIRUBA</b><br>PARTS LIST | Series       | Parts Group | Subclass / Remark                    | Page      |
|                             | <b>S007K</b> | <b>ST-K</b> | For S007K 2 <sup>nd</sup> Generation | 1/1       |
|                             |              |             |                                      | Date      |
|                             |              |             |                                      | 2016/8/15 |



|                             |              |             |   |           |
|-----------------------------|--------------|-------------|---|-----------|
| <b>SIRUBA</b><br>PARTS LIST | Series       | Parts Group | Subclass / Remark                           | Page      |
|                             | S007K/S007KD | SU-K        | For S007K/S007KD 2 <sup>nd</sup> Generation | 1/1       |
|                             |              |             |   | Date      |
|                             |              |             |   | 2016/8/24 |

$\boxed{A} + \boxed{B} = \text{SU109K-A1}$   
 SU SS  
 系 系  
 列 列

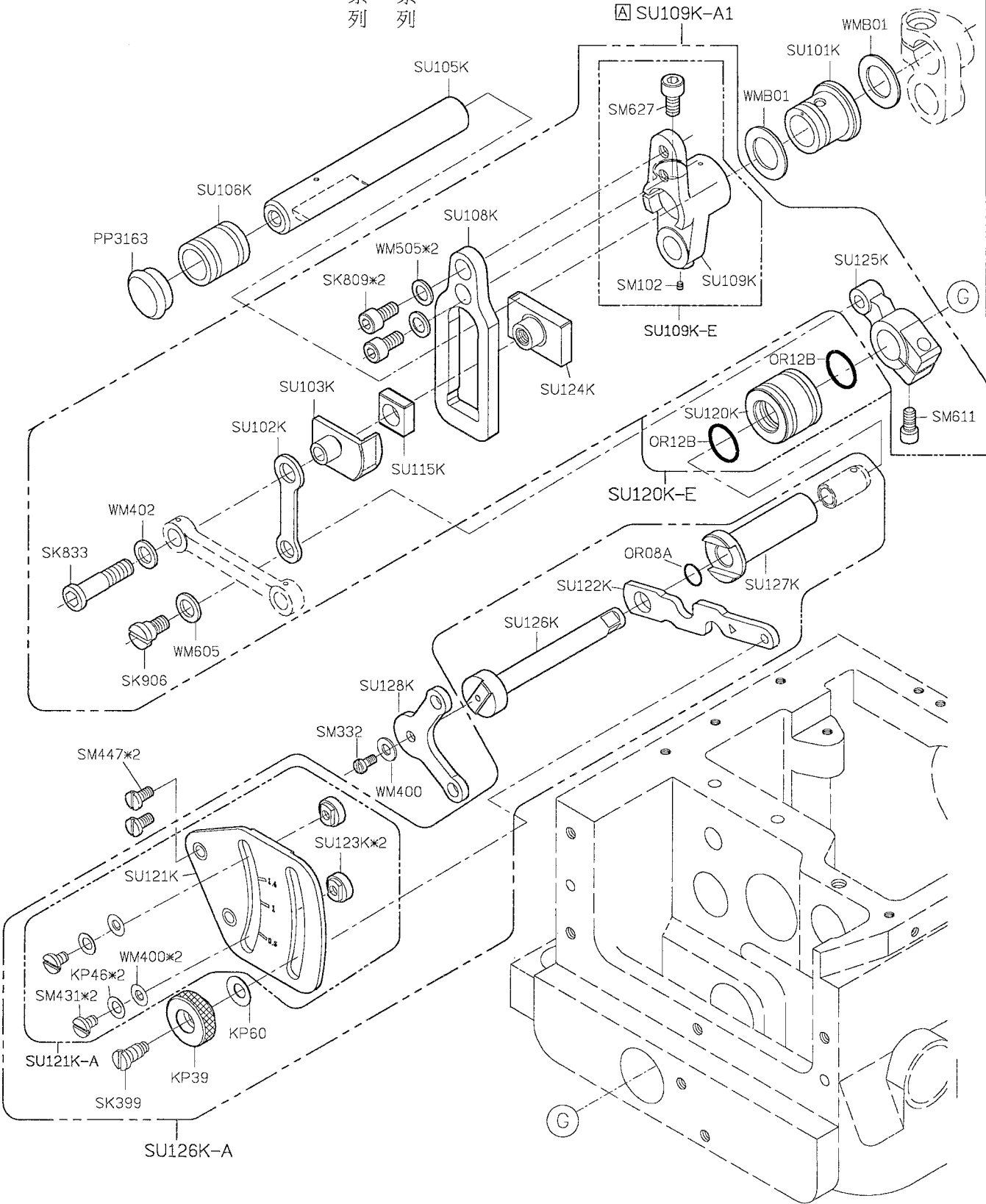
A

B

C

D

E



1

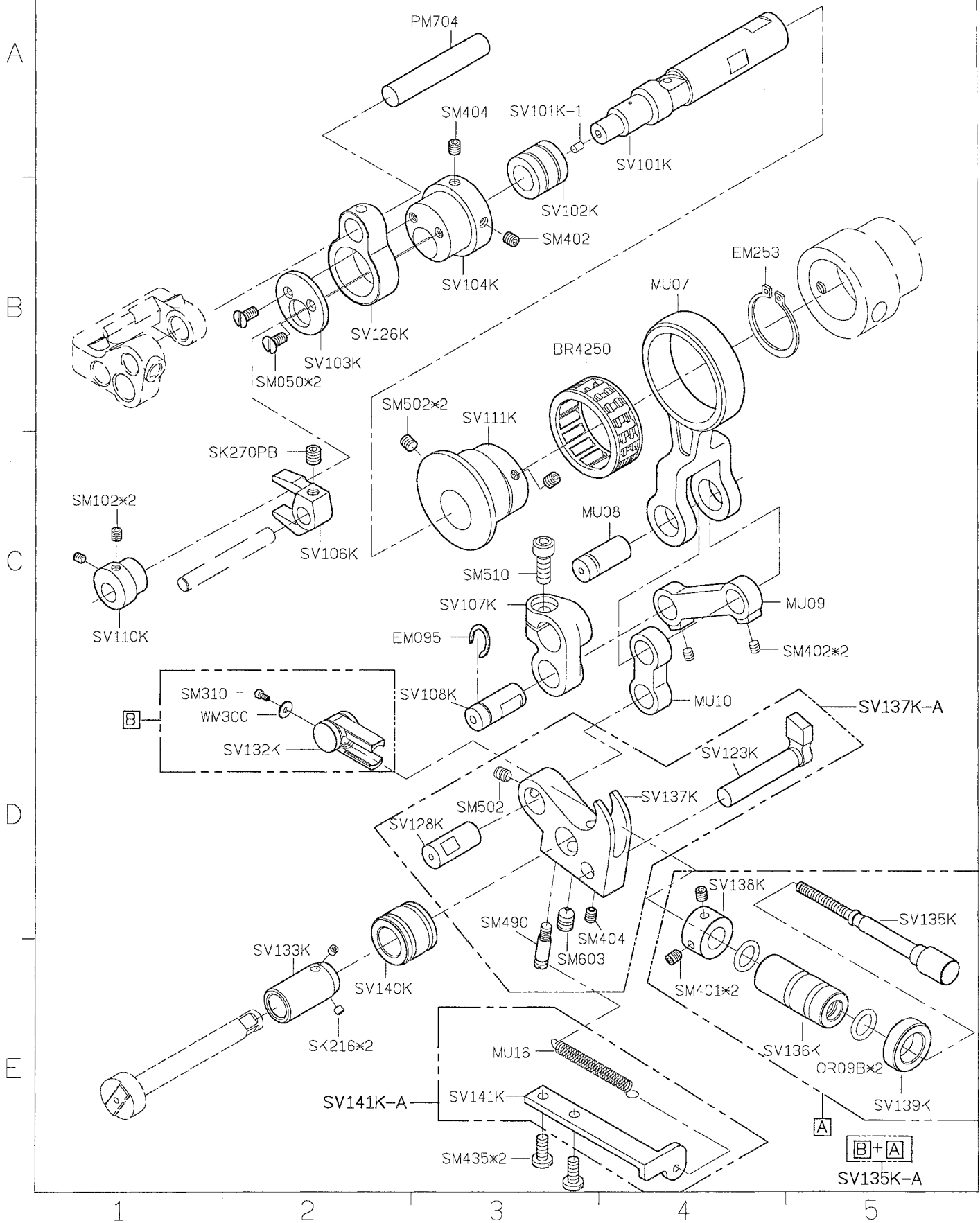
2

3

4

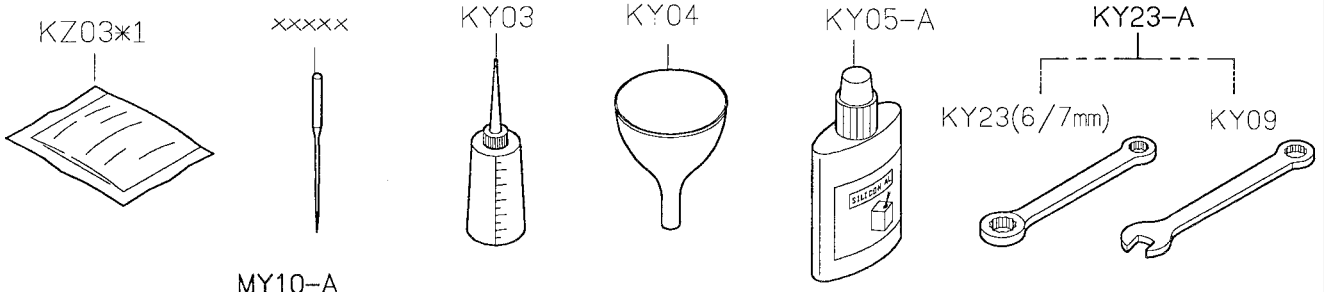
5

| SIRUBA<br>PARTS LIST | Series       | Parts Group | Subclass / Remark                           | Page      |
|----------------------|--------------|-------------|---|-----------|
|                      | S007K/S007KD | SV-K        | For S007K/S007KD 2 <sup>nd</sup> Generation | 1/1       |
|                      |              |             |   | Date      |
|                      |              |             |   | 2016/8/24 |

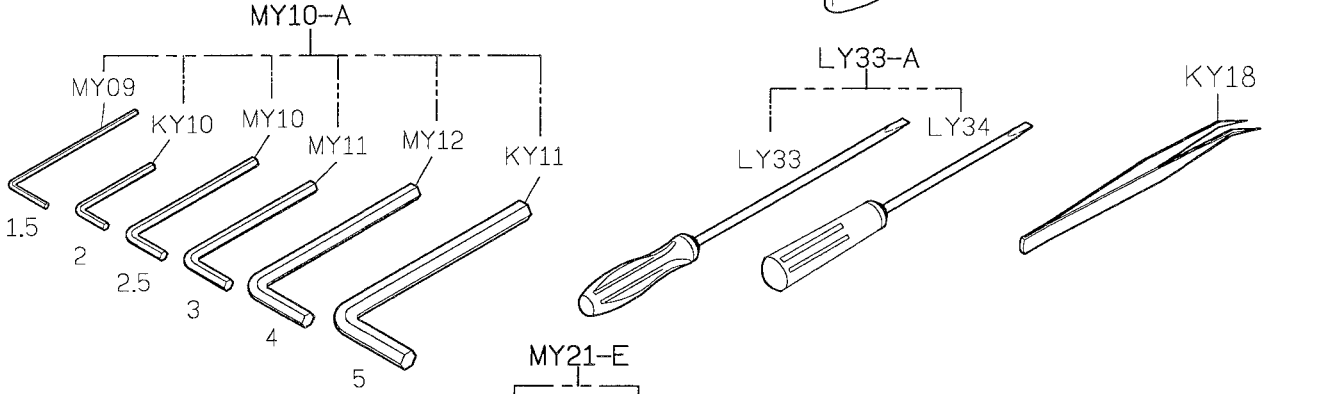


|                             |              |             |   |           |
|-----------------------------|--------------|-------------|---|-----------|
| <b>SIRUBA</b><br>PARTS LIST | Series       | Parts Group | Subclass / Remark                           | Page      |
|                             | S007K/S007KD | SY-K        | For S007K/S007KD 2 <sup>nd</sup> Generation | 1/1       |
|                             |              |             |   | Date      |
|                             |              |             |   | 2016/8/24 |

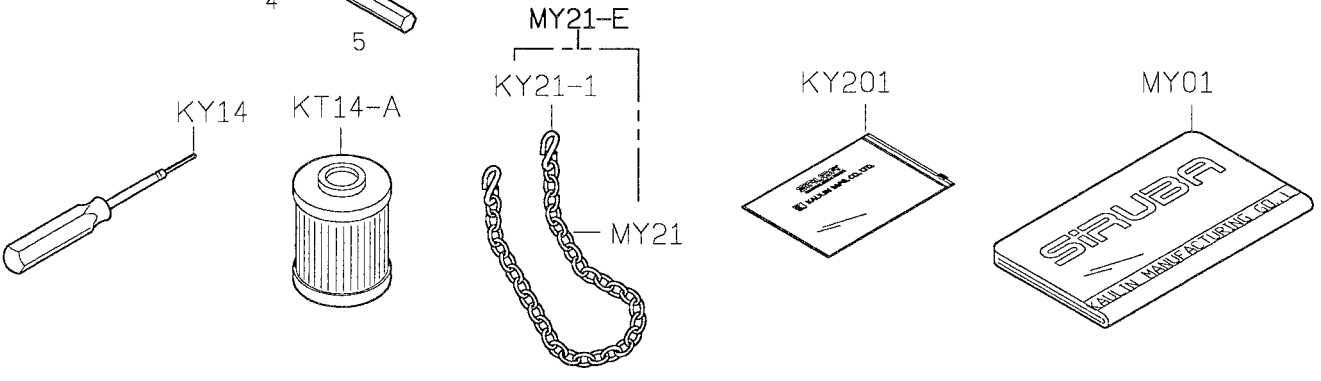
A



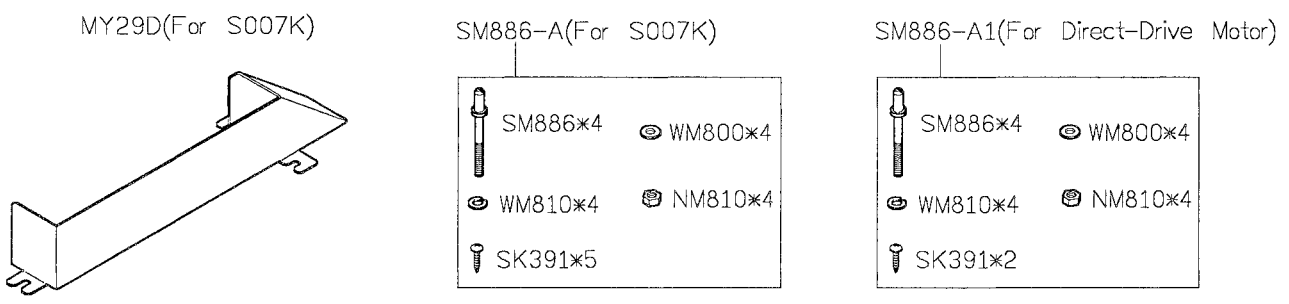
B



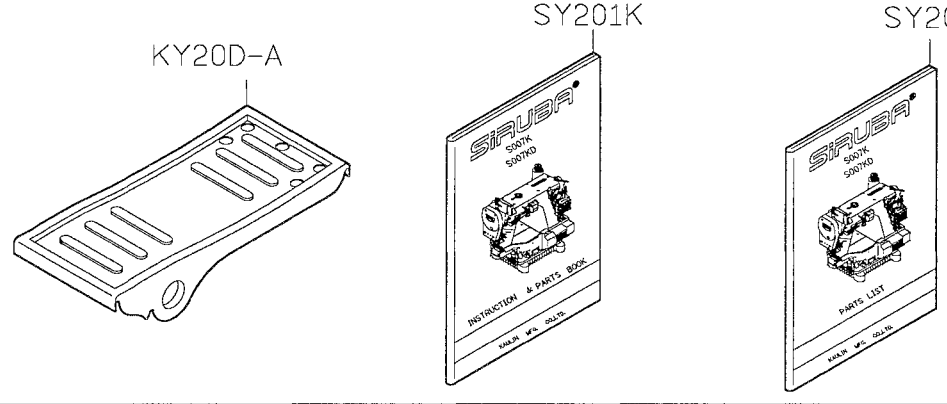
C



D

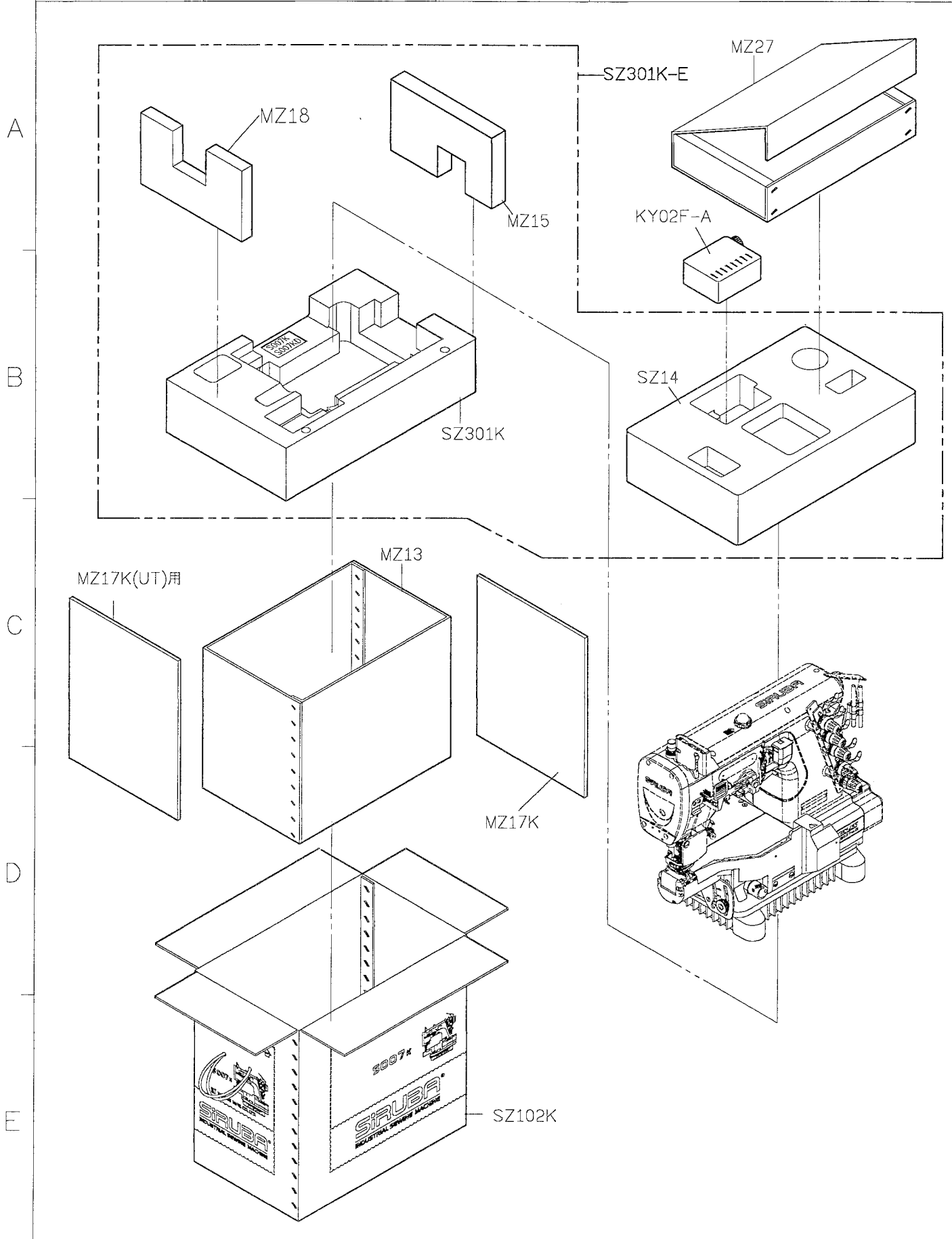


E

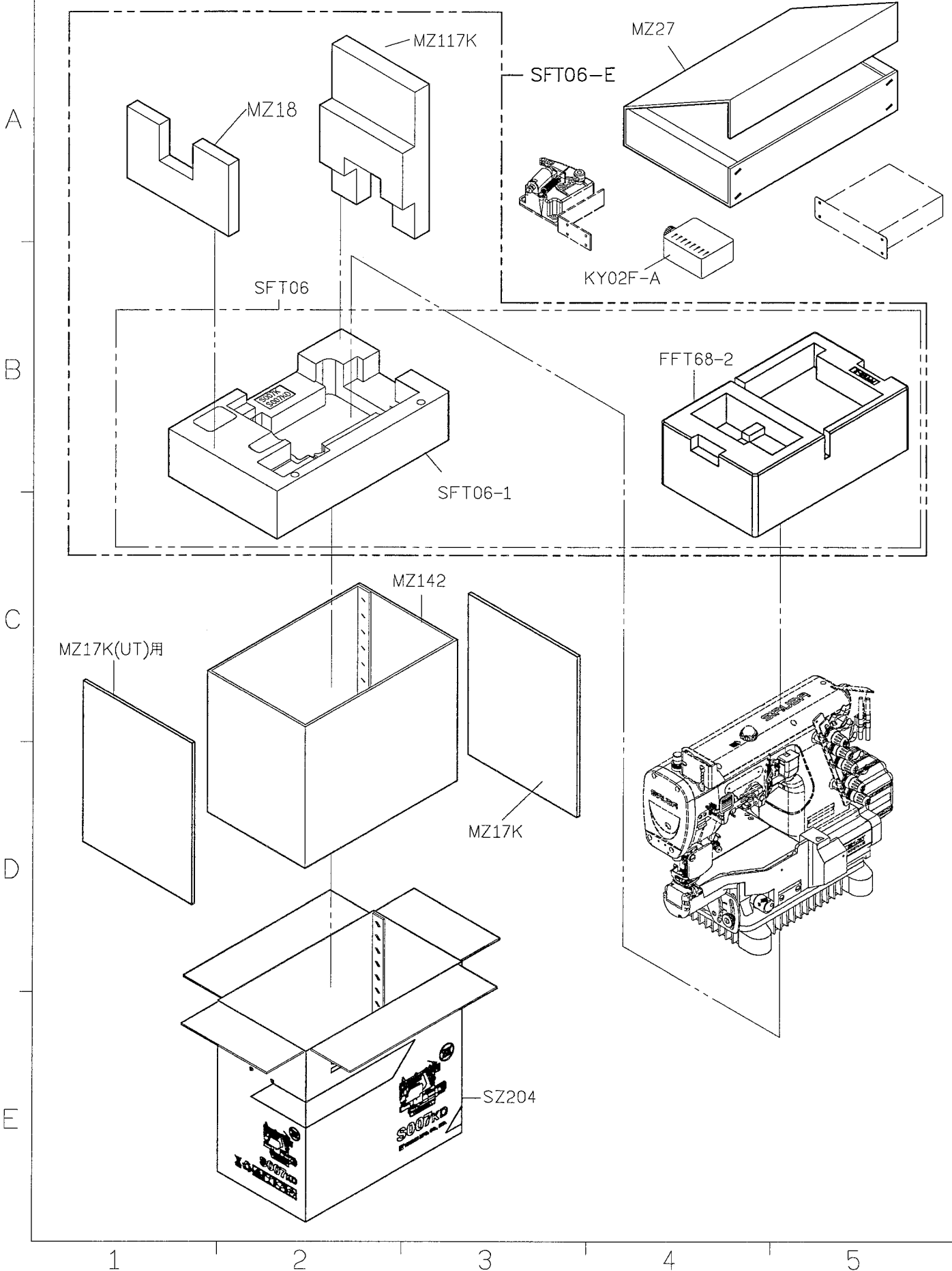


1                      2                      3                      4                      5

| SIRUBA<br>PARTS LIST | Series<br>S007K/S007KD | Parts Group<br>SZ-K | Subclass / Remark<br>For S007K/S007KD 2 <sup>nd</sup> Generation | Page<br>1/2<br>Date<br>2016/8/25 |
|----------------------|------------------------|---------------------|--|----------------------------------|
|----------------------|------------------------|---------------------|--|----------------------------------|

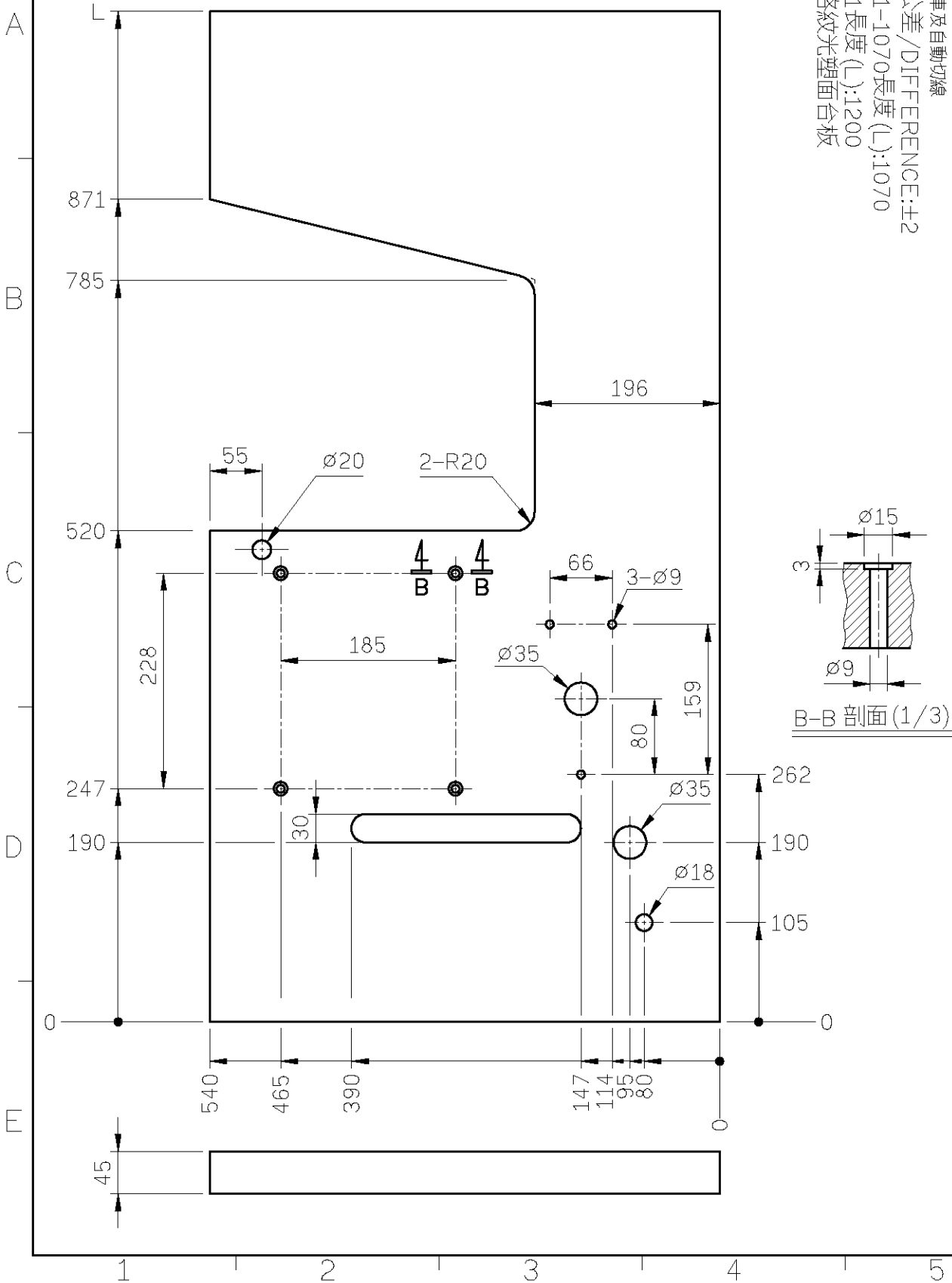


| SIRUBA<br>PARTS LIST | Series       | Parts Group | Subclass / Remark   | Page      |
|----------------------|--------------|-------------|---|-----------|
|                      | S007K/S007KD | SZ-K        | For S007K/S007KD 2 <sup>nd</sup> Generation<br>For Direct-Drive Motor | 2/2       |
|                      |              |             |   | Date      |
|                      |              |             |   | 2016/8/25 |



# TABLE CUT-OUT OF S007K-T1

三針筒車上乘桌板圖  
 S007K/KD SERIES TABLE CUT-OUT SEMI-SUBMERGED  
 單位/UNIT:mm  
 FOR 一般車及自動切線  
 所有尺寸公差/DIFFERENCE:±2  
 S007K-T1-1070長度(L):1070  
 S007K-T1長度(L):1200  
 全封邊灰格紋光塑面台板





# TABLE CUT-OUT OF S007K-T2

三針筒車下乘桌板圖

S007K/S007KD SERIES TABLE CUT-OUT SEMI-SUBMERGED

單位/UNIT:mm

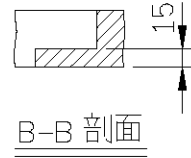
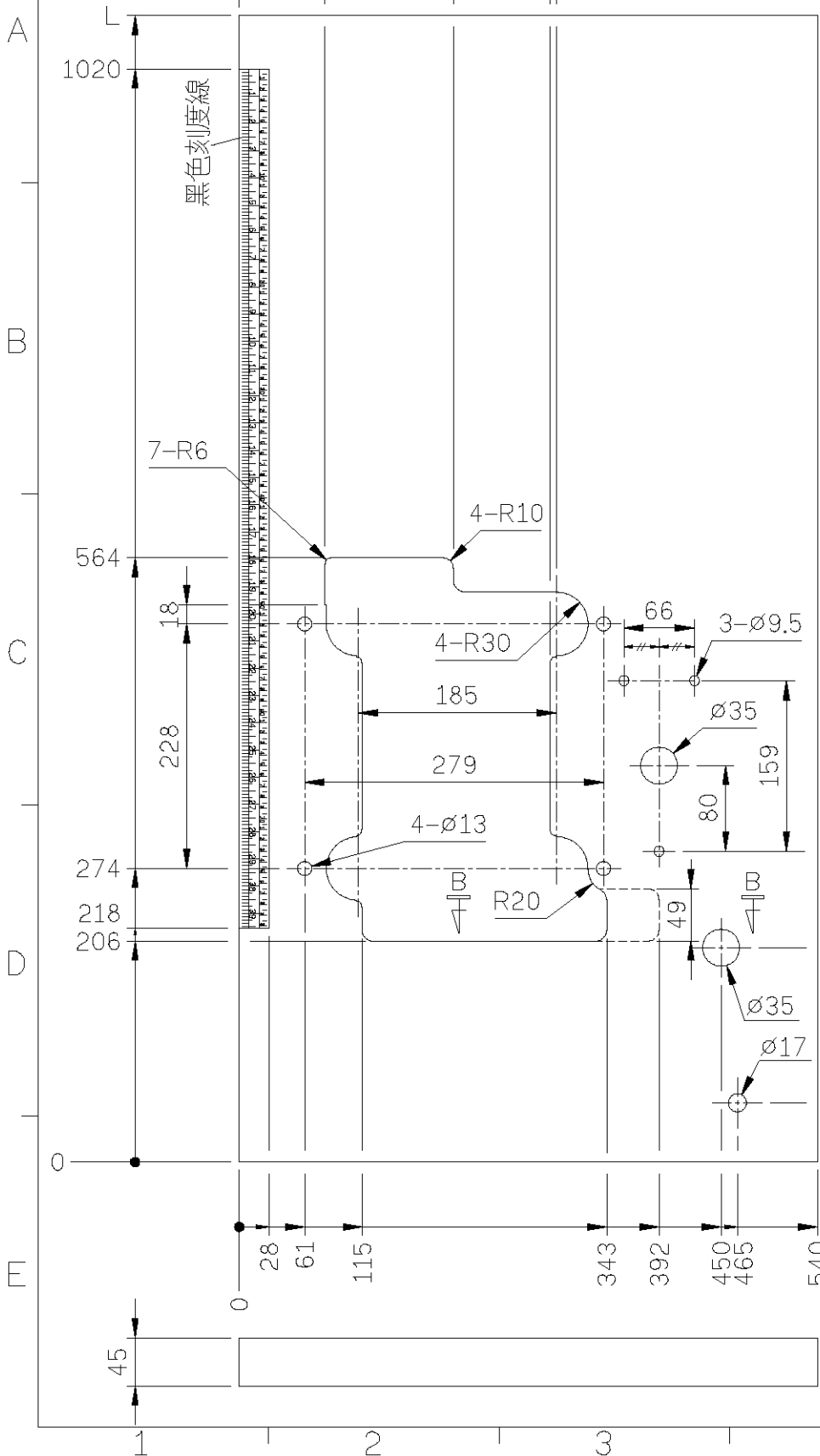
FOR一般車及自動切線

所有尺寸公差/DIFFERENCE:±2

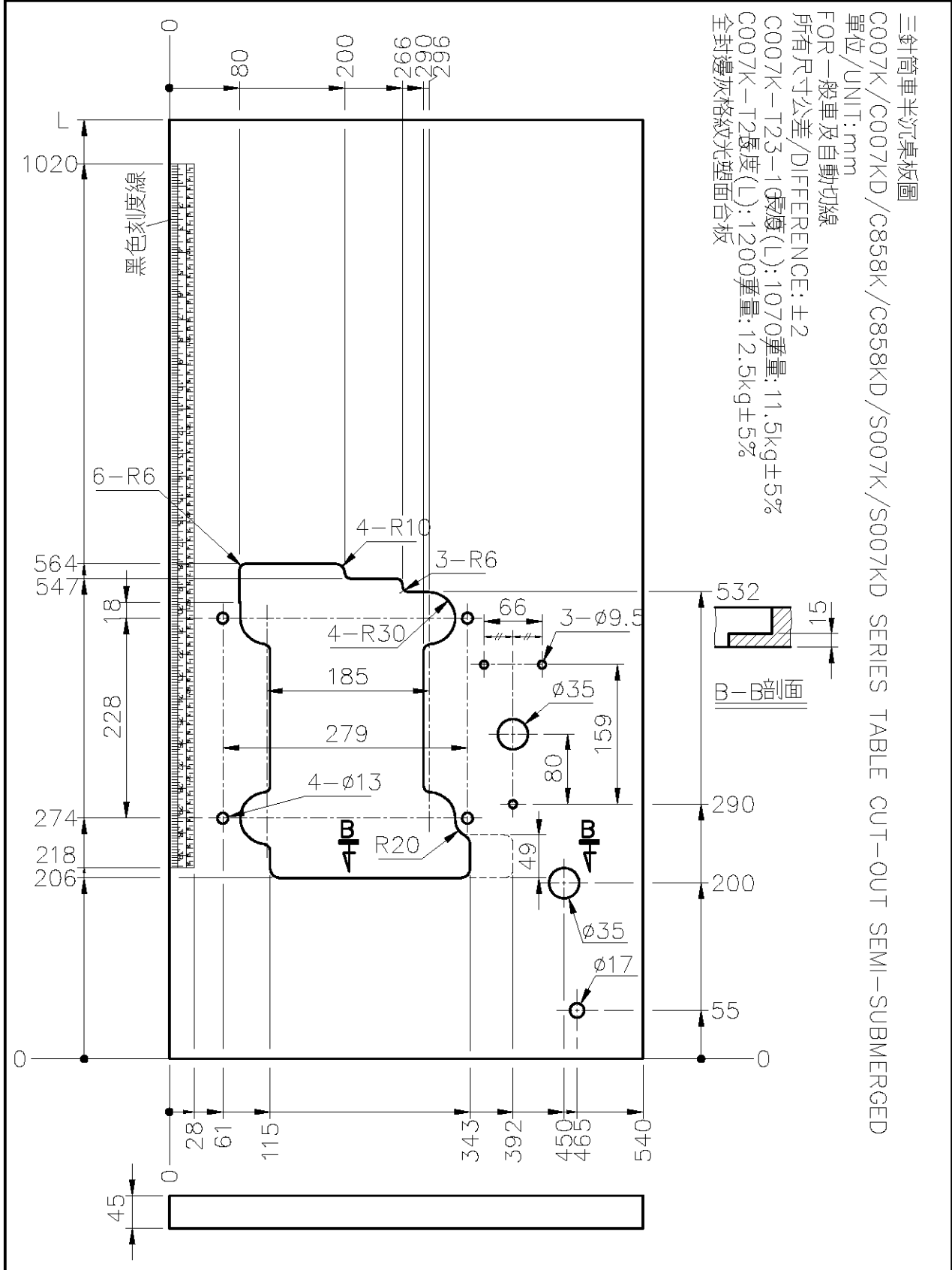
S007K-T2-1070長度(L):1070/重量:11.5kg±5%

S007K-T2長度(L):1200/重量:12.5kg±5%

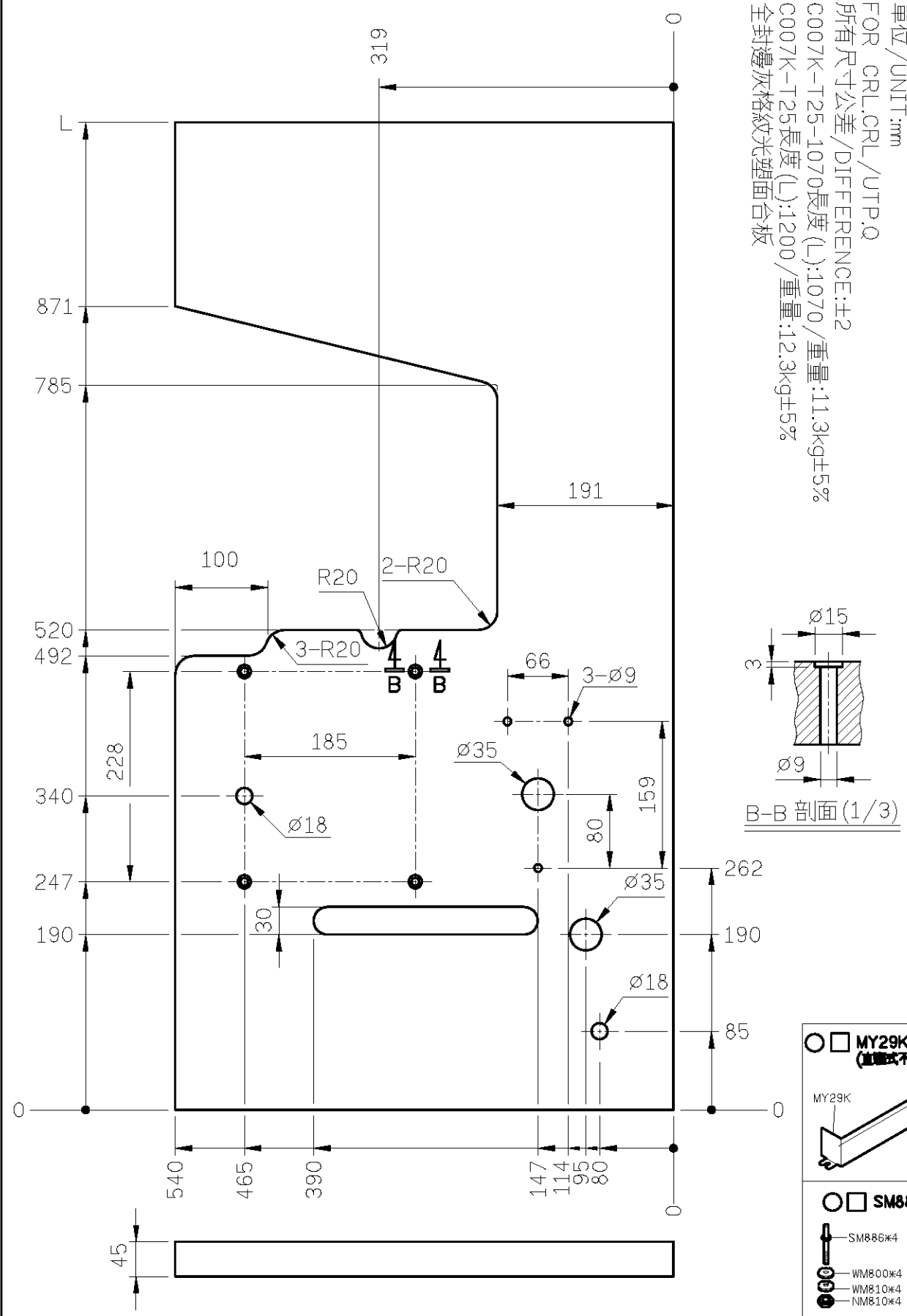
全封邊灰格紋光塑面台板



|   |  |                  |                          |                           |
|---|--|------------------|--------------------------|---------------------------|
| <b>SIRUBA</b><br><b>TABLE</b><br><b>CUT - OUT</b> | <b>Series</b>                                | <b>Item Code</b> | <b>Subclass / Remark</b> | <b>Mounting</b>           |
|   | C007K/C007KD<br>C858K/C858KD<br>S007K/S007KD | <b>C007K-T23</b> | For All Series           | Semi-submerged            |
|   |  |                  |                          | <b>Date</b><br>2013/01/28 |



| SIRUBA<br>TABLE<br>CUT - OUT | Series                                       | Item Code        | Subclass / Remark   | Mounting           |
|------------------------------|--|------------------|---|--------------------|
|                              | C007K/C007KD<br>C858K/C858KD<br>S007K/S007KD | <b>C007K-T25</b> | For All Series excluding<br>① RLP,RLQ Celastic tape attaching<br>② CRL Models<br>③ Condensed stitch(CAR,CMR,SAR,SER...) | Non-submerged      |
|                              |  |                  |   | Date<br>2013/01/26 |



三針筒車上乘桌板圖  
C007K/C007KD/C858K/C858KD/S007K/S007KD SERIES TABLE CUT-OUT SEMI-SUBMERGED  
單位/UNIT:mm  
FOR CRL,CRL/UTP.Q  
所有尺寸公差/DIFFERENCE:±2  
C007K-T25-1070長度(L):1070/重量:11.3kg±5%  
C007K-T25長度(L):1200/重量:12.3kg±5%  
全封邊灰格紋光塑面台板