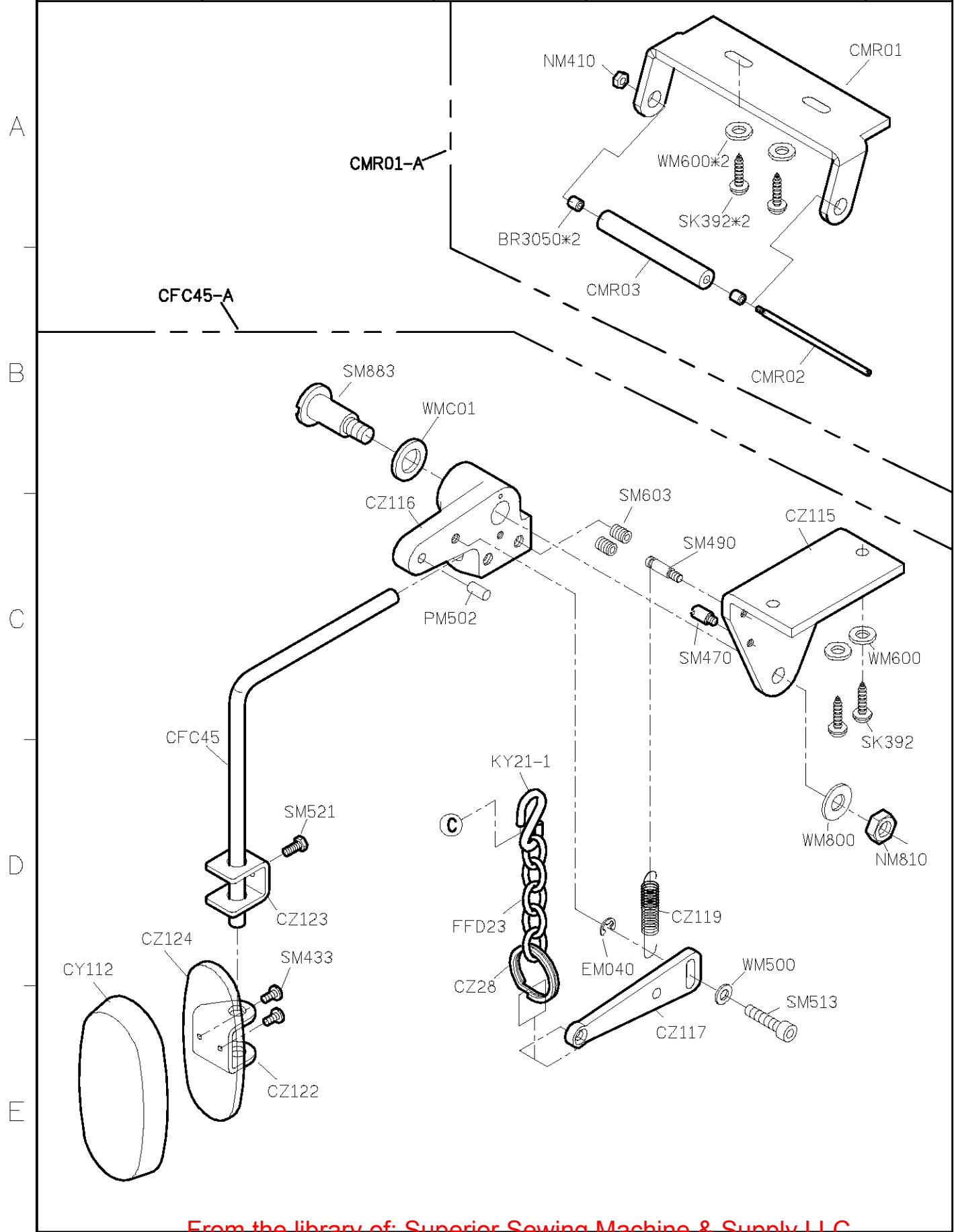
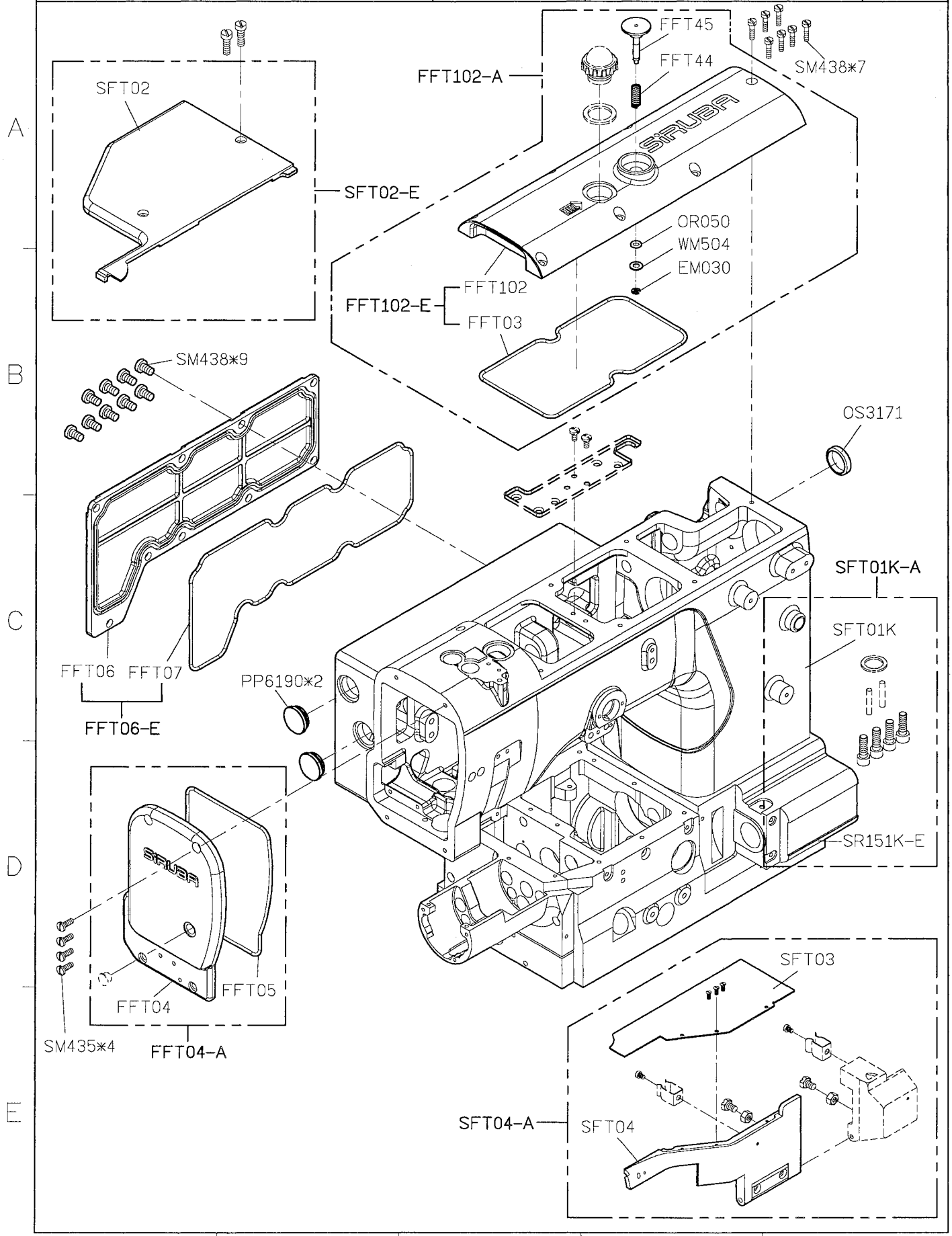


SIRUBA PARTS LIST	Series	Parts Group	Subclass / Remark	Page
	C007K/C007KD	CMR-K		1/1
	C858K/C858KD			Date
	S007K/S007KD			2012/11/01

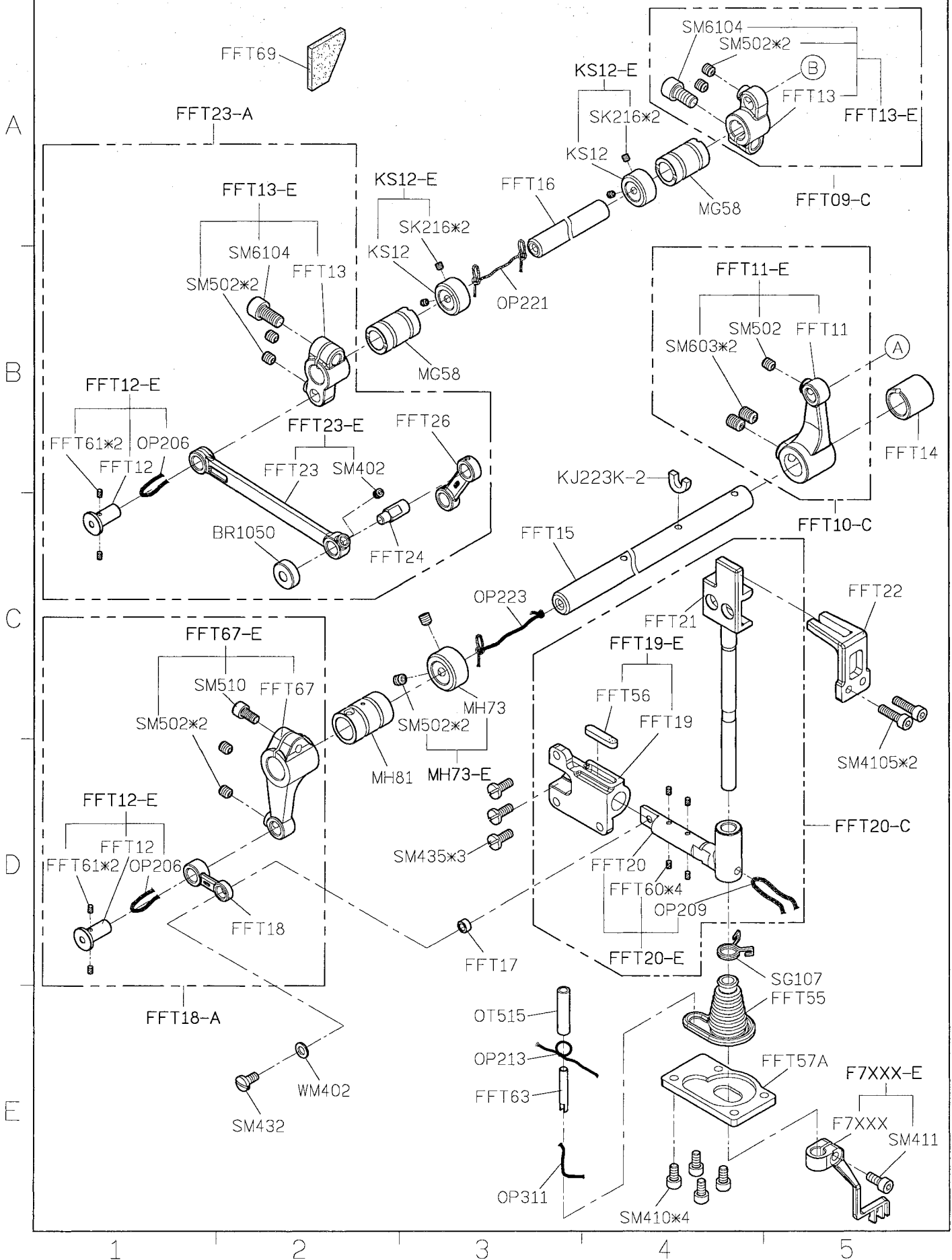


SIRUBA PARTS LIST	Series	Parts Group	Subclass / Remark	Page
	S007KD	FFT	With Direct-Drive Motor	1/7
				Date
				2016/8/19

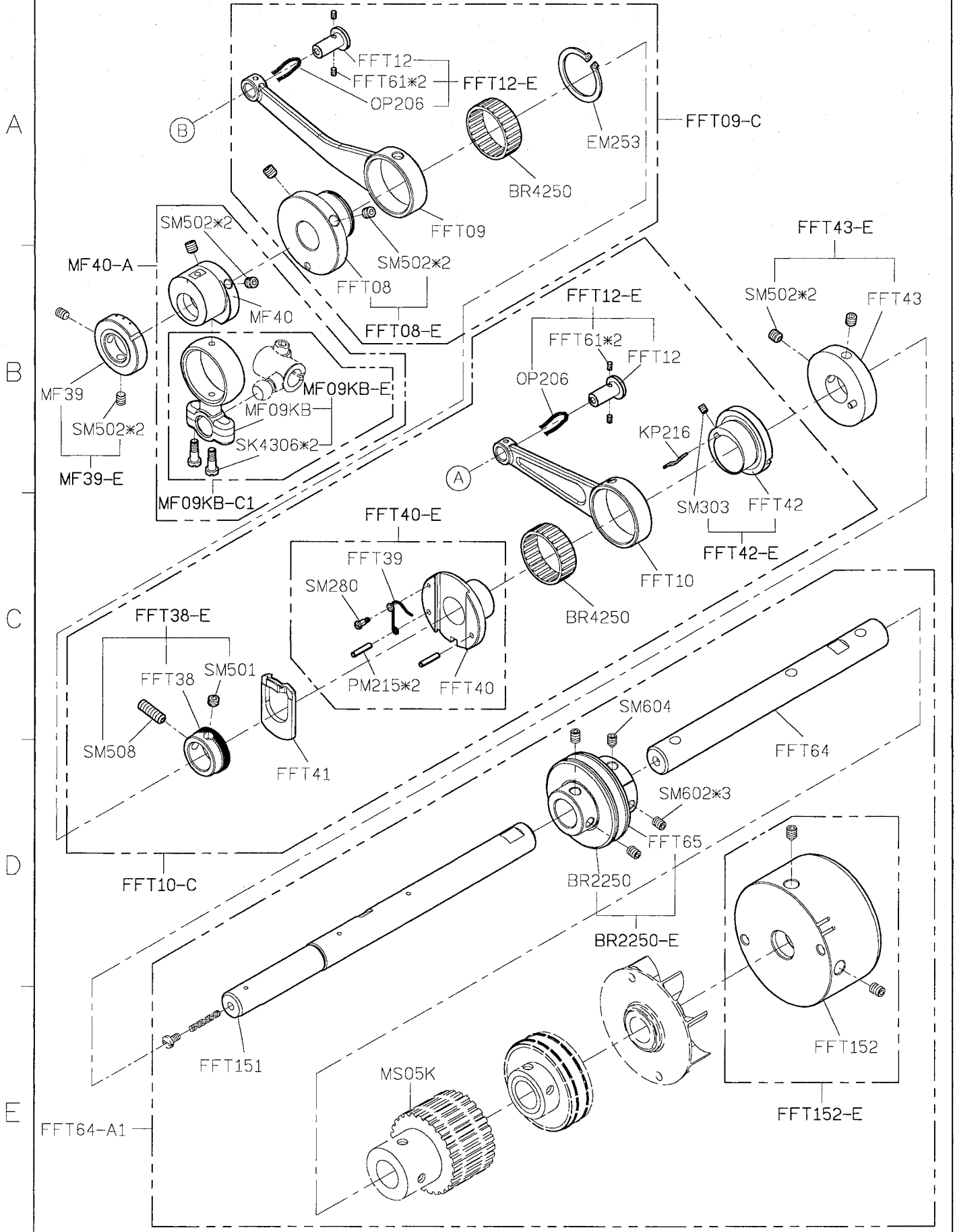


1 2 3 4 5

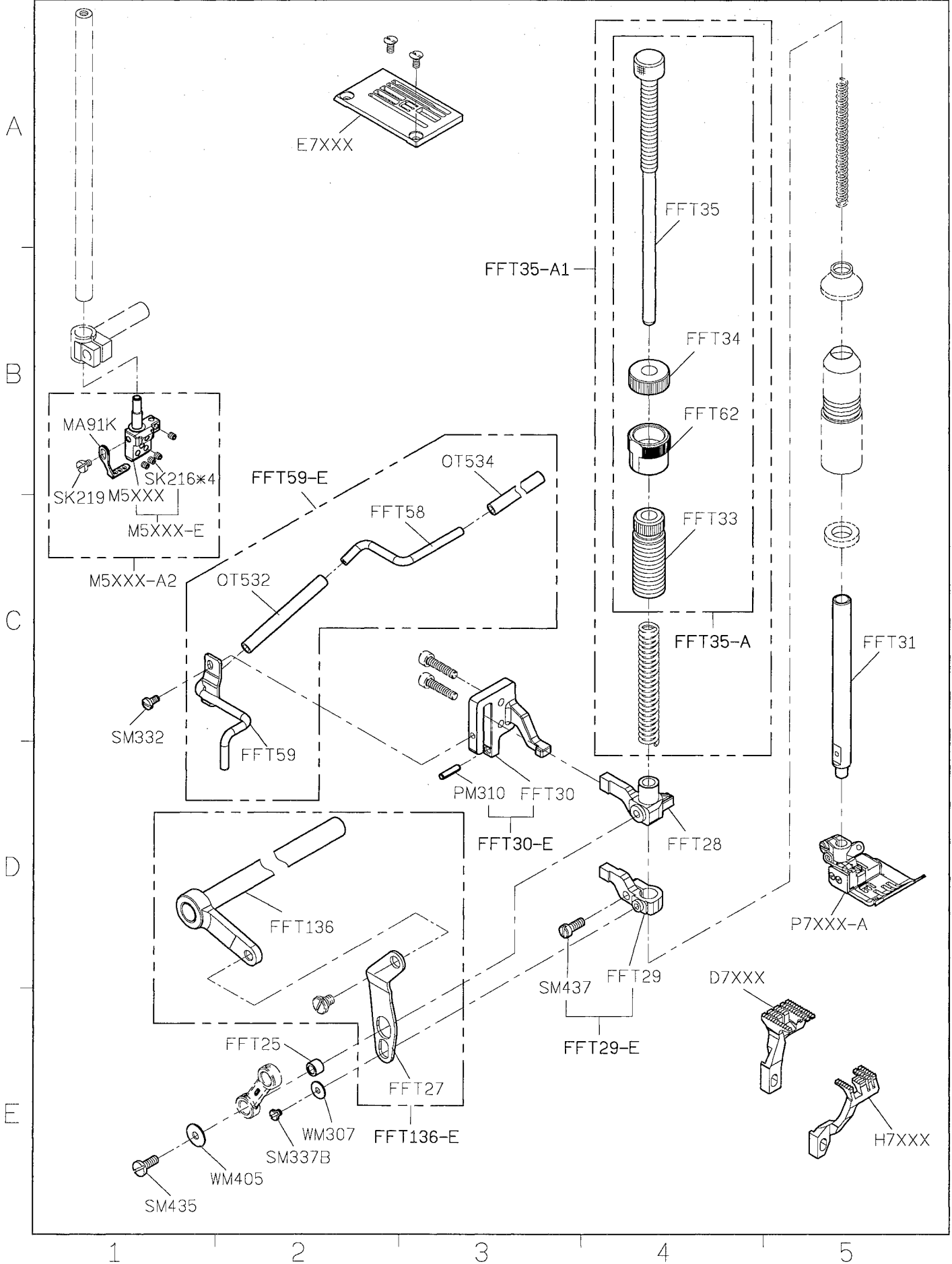
SIRUBA PARTS LIST	Series	Parts Group	Subclass / Remark	Page
	S007KD	FFT	With Direct-Drive Motor	2/7
				Date
				2016/8/18



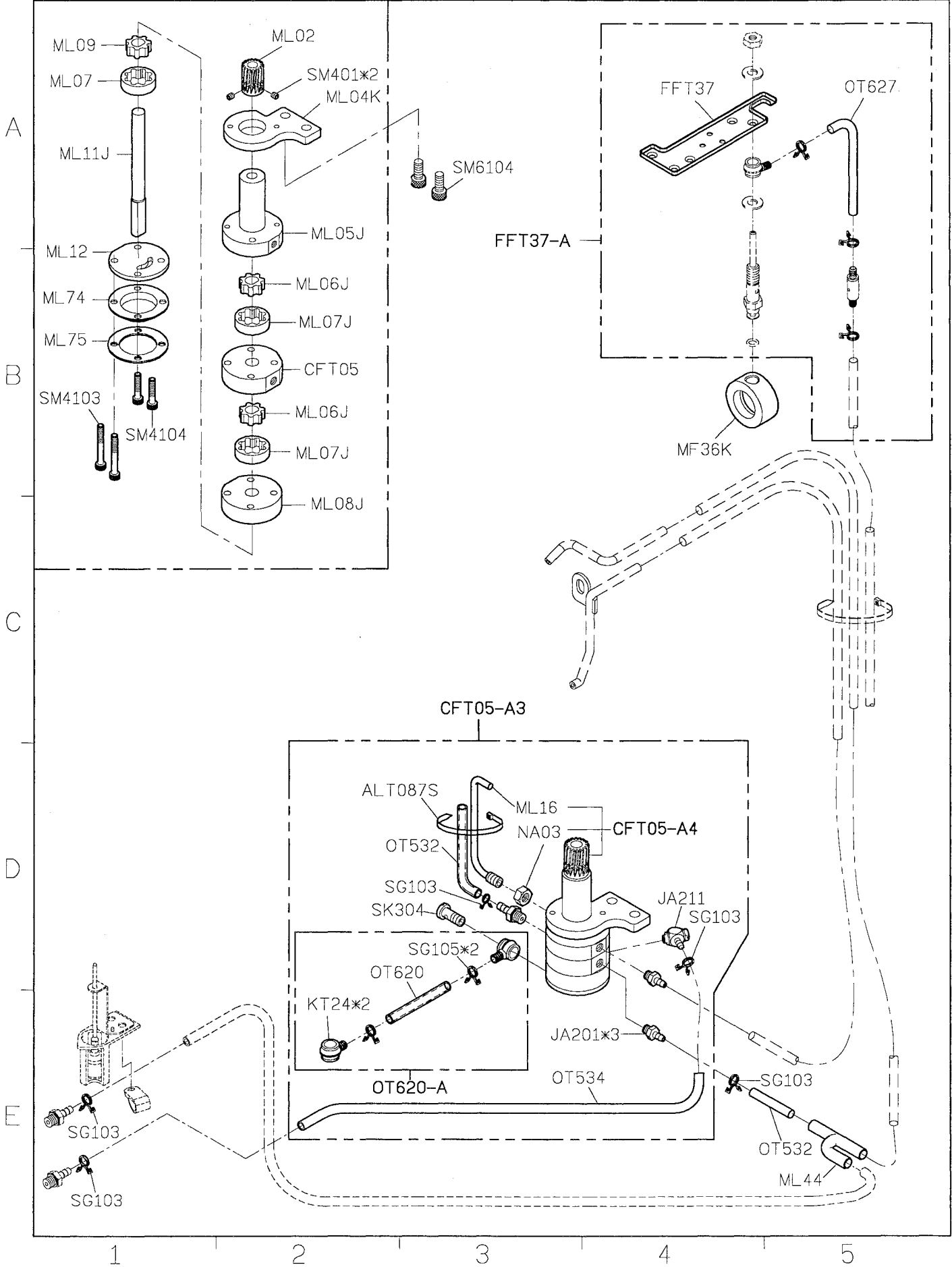
SIRUBA PARTS LIST	Series	Parts Group	Subclass / Remark	Page
	S007KD	FFT	With Direct-Drive Motor	3/7
				Date
				2016/8/18



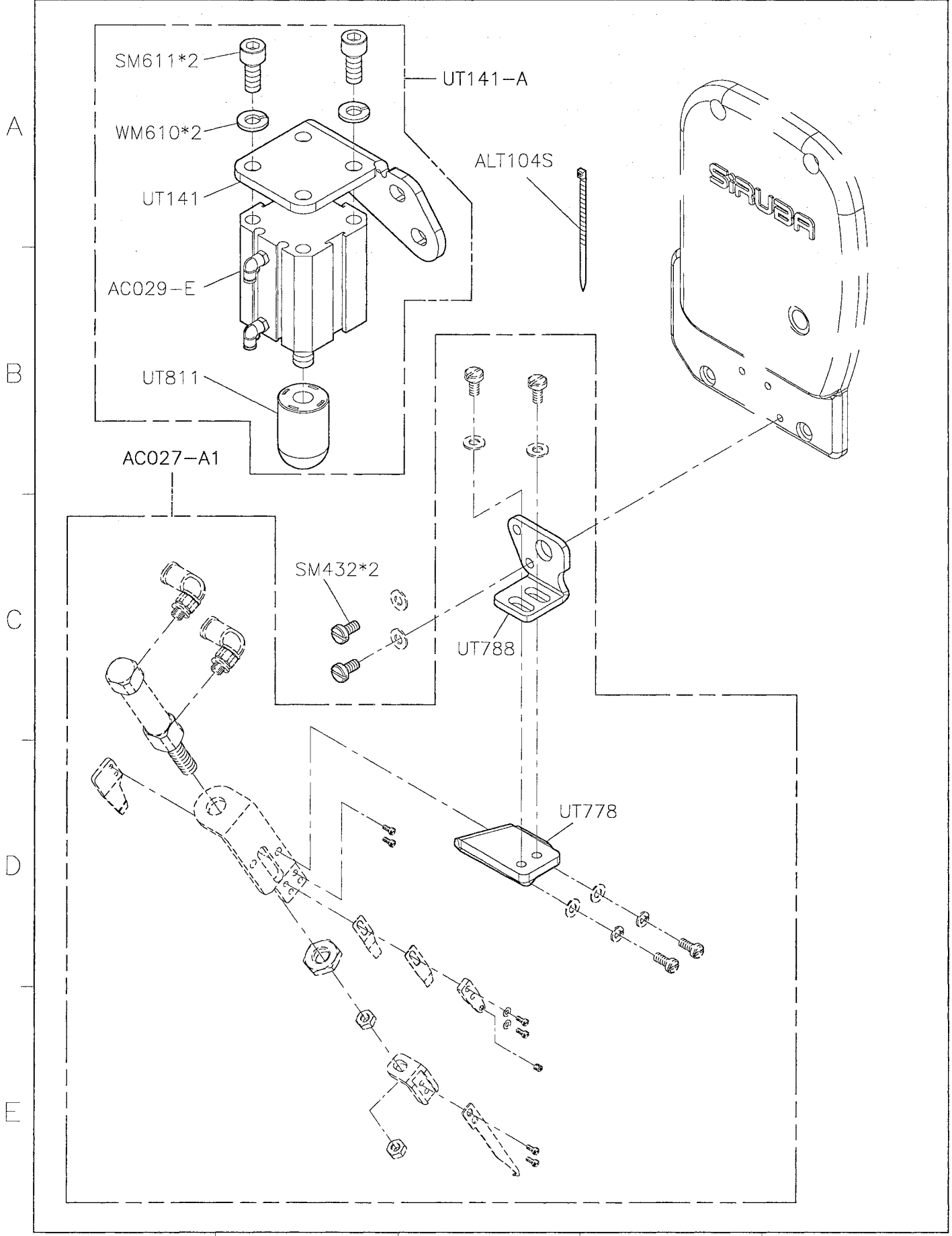
SIRUBA PARTS LIST	Series	Parts Group	Subclass / Remark	Page
	S007KD	FFT	With Direct-Drive Motor	4/7
				Date 2016/8/18



SIRUBA PARTS LIST	Series	Parts Group	Subclass / Remark	Page
	S007KD	FFT	With Direct-Drive Motor	5/7
				Date
				2016/8/19

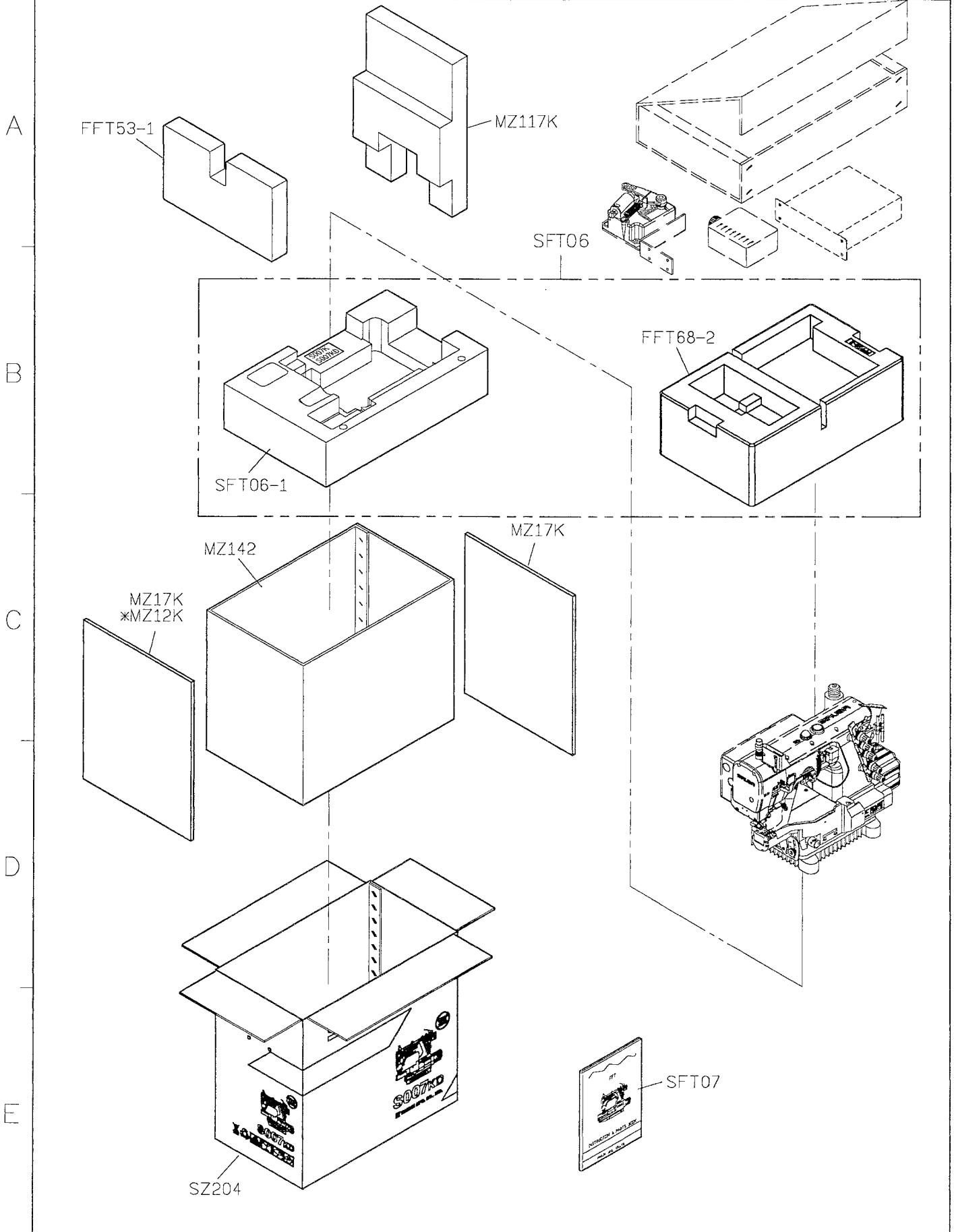


SIRUBA PARTS LIST	Series	Parts Group	Subclass / Remark	Page
	S007KD	FFT	With Direct-Drive Motor	6/7
				Date 2016/8/18



1 2 3 4 5

SIRUBA PARTS LIST	Series	Parts Group	Subclass / Remark	Page
	S007KD	FFT	With Direct-Drive Motor * Use for UT	7/7
				Date
				2016/8/22



1 2 3 4 5

SIRUBA PARTS LIST	Series	Parts Group	Subclass / Remark	Page
	S007K/S007KD	SAR	For S007K/S007KD 2 nd Generation add SAR to the type UT ☒ : Use for H brand motor	1/2
				Date
				2016/8/23

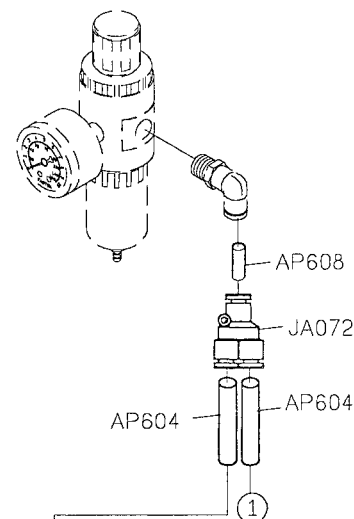
A

B

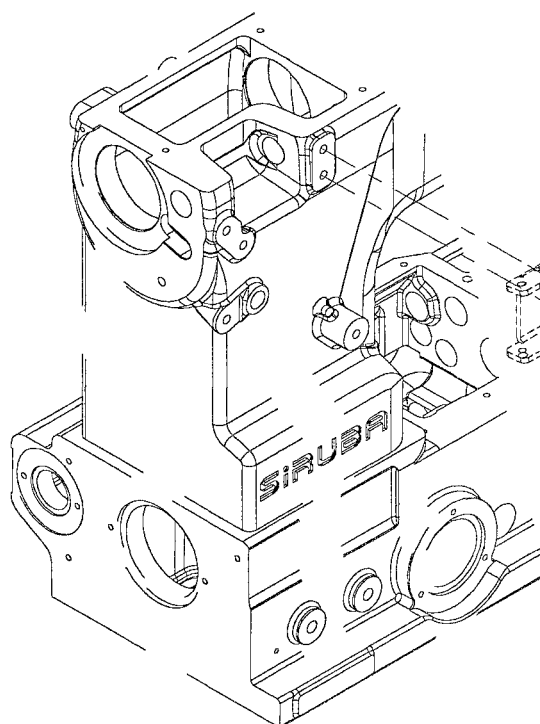
C

D

E



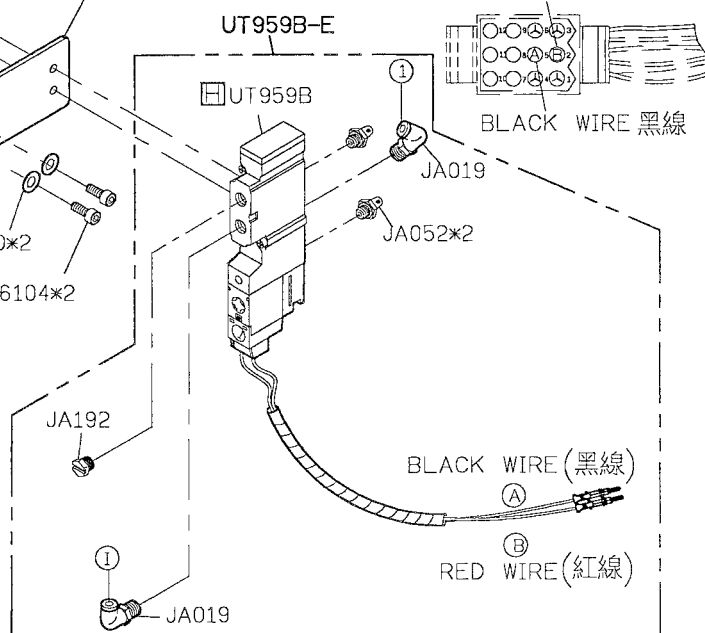
Joint the solenoid of UT set (接UT電磁開組)



SM332*2 UT262

WM600*2

SM6104*2



RED WIRE 紅線

BLACK WIRE 黑線

BLACK WIRE (黑線)

RED WIRE (紅線)

SV142K-A

SM616*2

AC260

NM610*2

SV142K

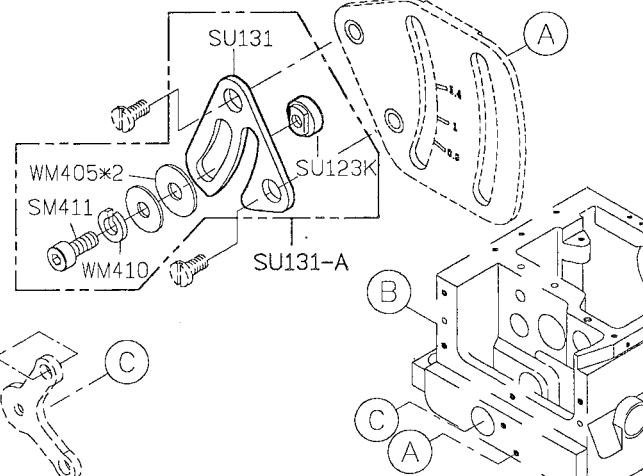
SM6101

JA016

AP615

SM375

SU130



SU131

WM405*2

SM411

WM410

SU131-A

SU123K

1

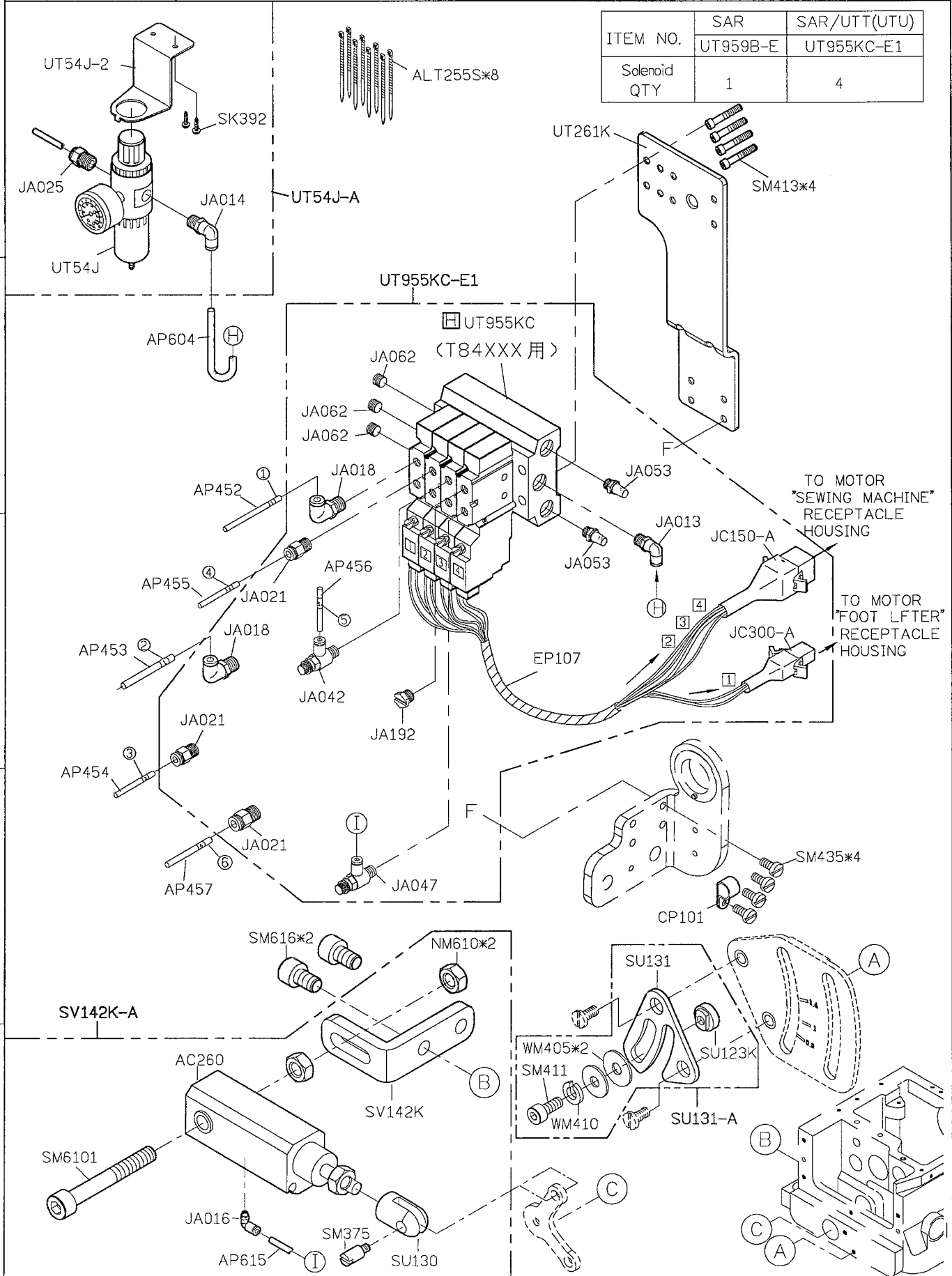
2

3

4

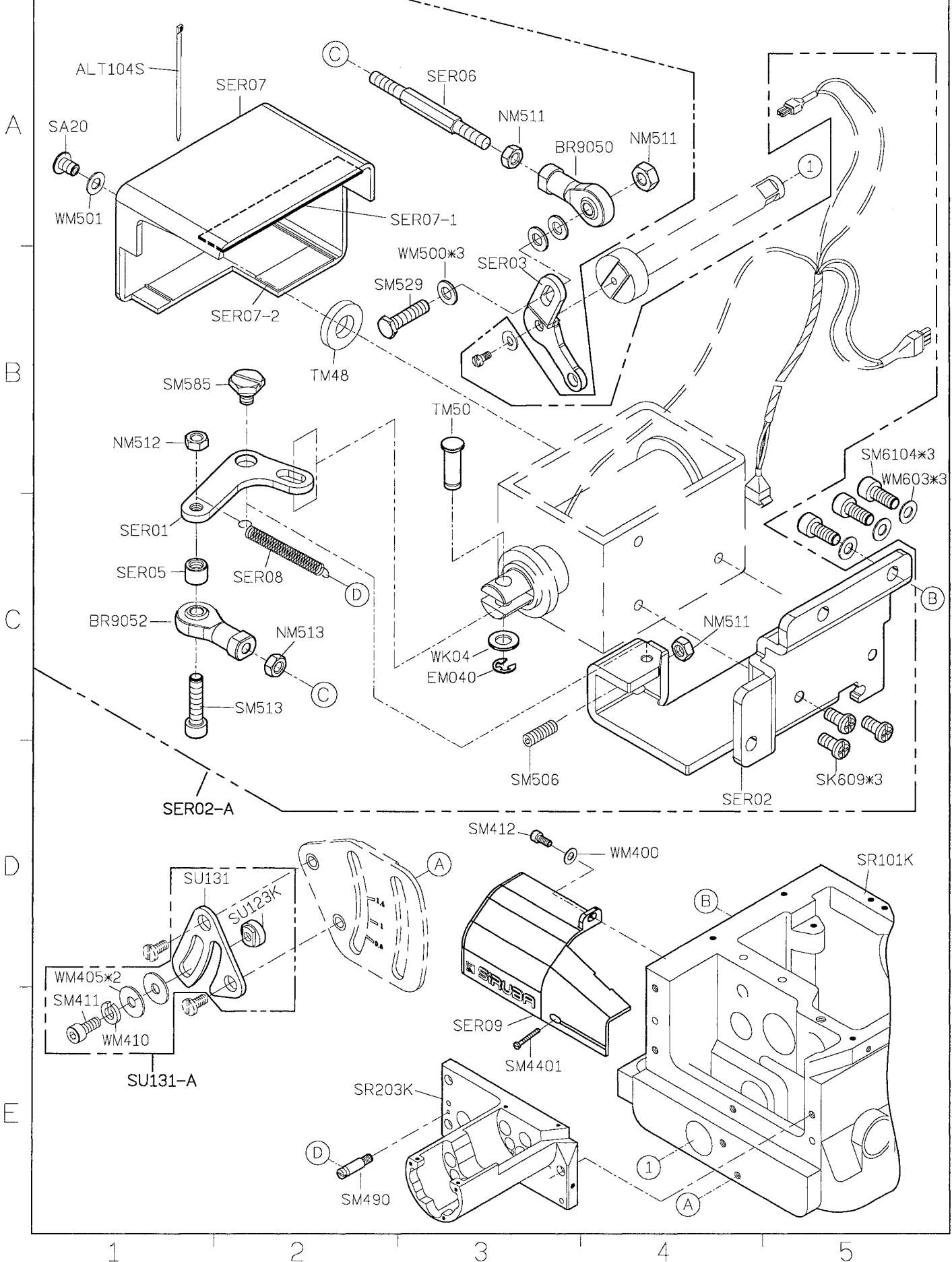
5

SIRUBA PARTS LIST	Series	Parts Group	Subclass / Remark	Page
	S007K/S007KD	SAR	For S007K/S007KD 2 nd Generation add SAR to the type UT ☐ : Use for H brand motor	2/2
				Date
				2016/8/23

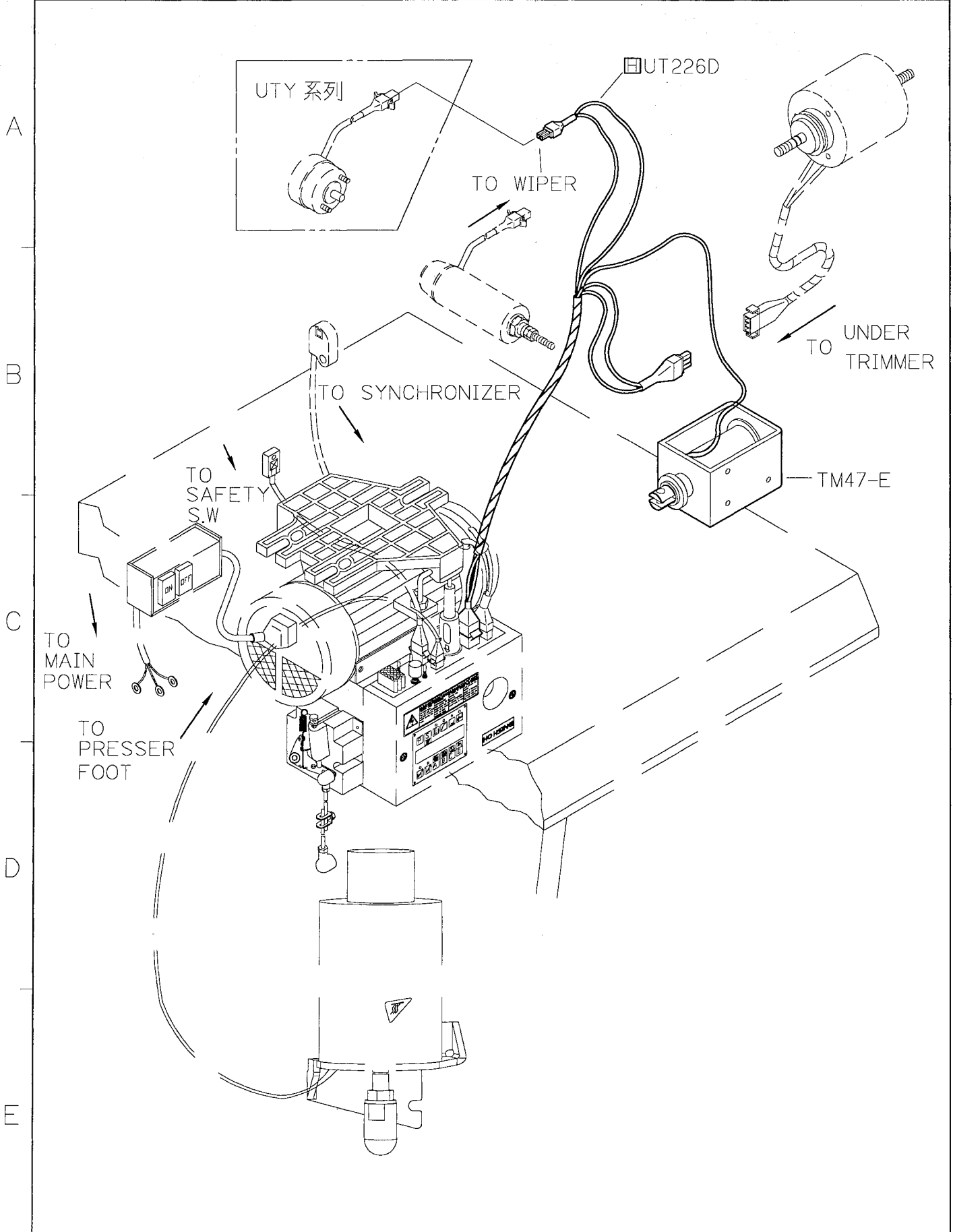


ITEM NO.	SAR	SAR/UTT(UTU)
	UT959B-E	UT955KC-E1
Solenoid QTY	1	4

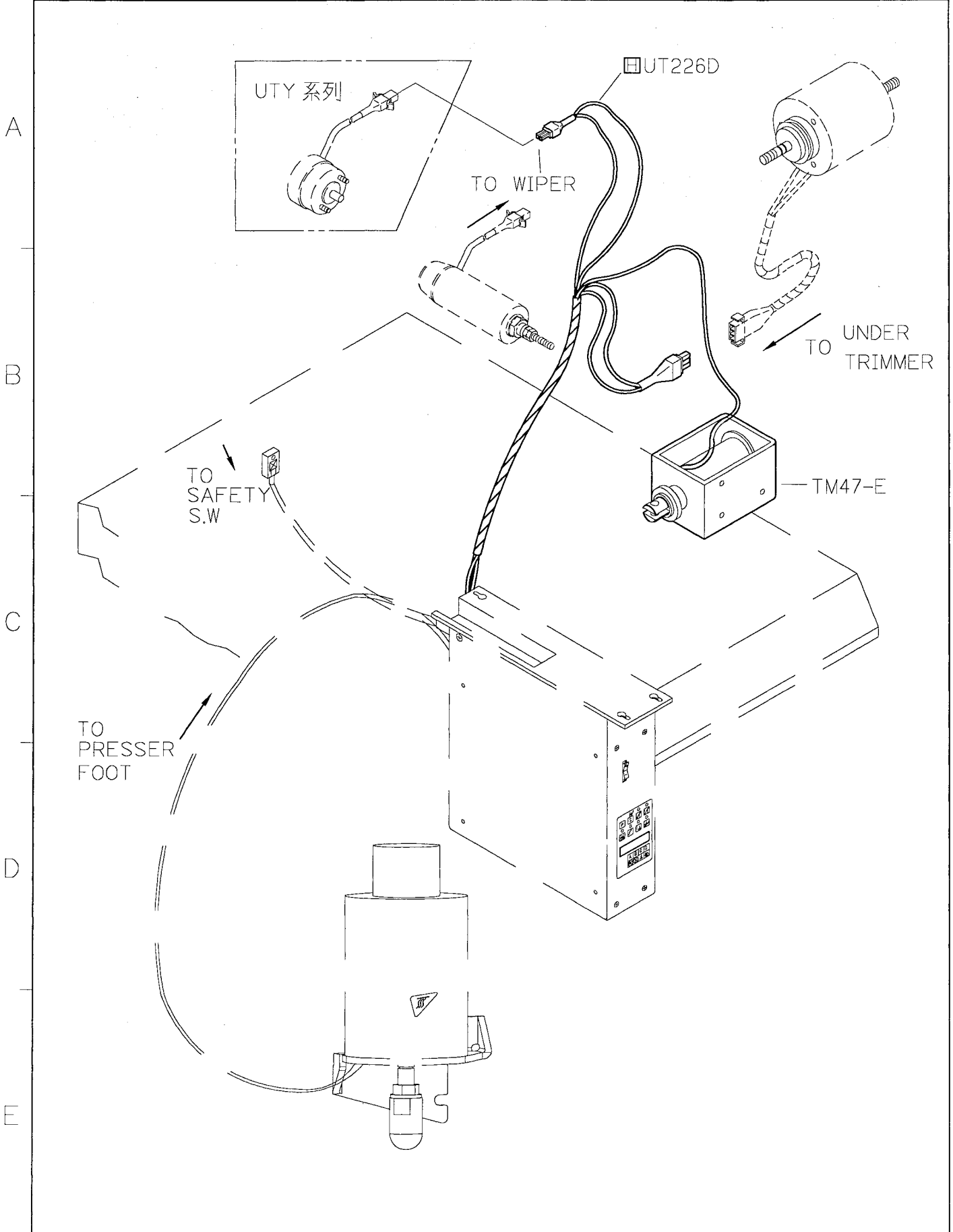
SIRUBA PARTS LIST	Series	Parts Group	Subclass / Remark	Page
	S007K/S007KD	SER	For S007K/S007KD 2 nd Generation	1/3
				Date
				2016/8/23



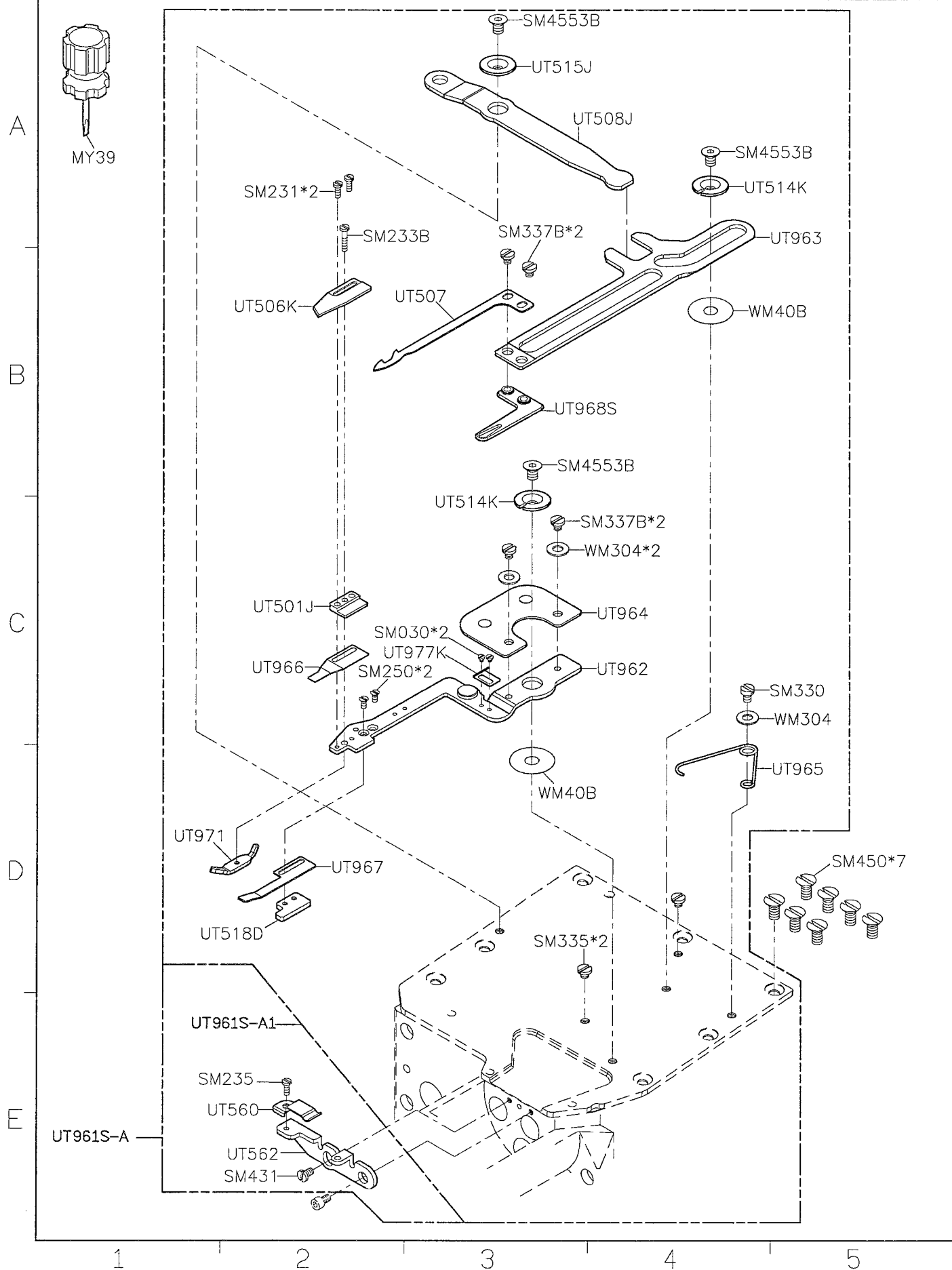
SIRUBA PARTS LIST	Series	Parts Group	Subclass / Remark	Page
	S007K/S007KD	SER	For S007K/S007KD 2 nd Generation □ : Use for H牌馬達	2/3
				Date 2016/8/23



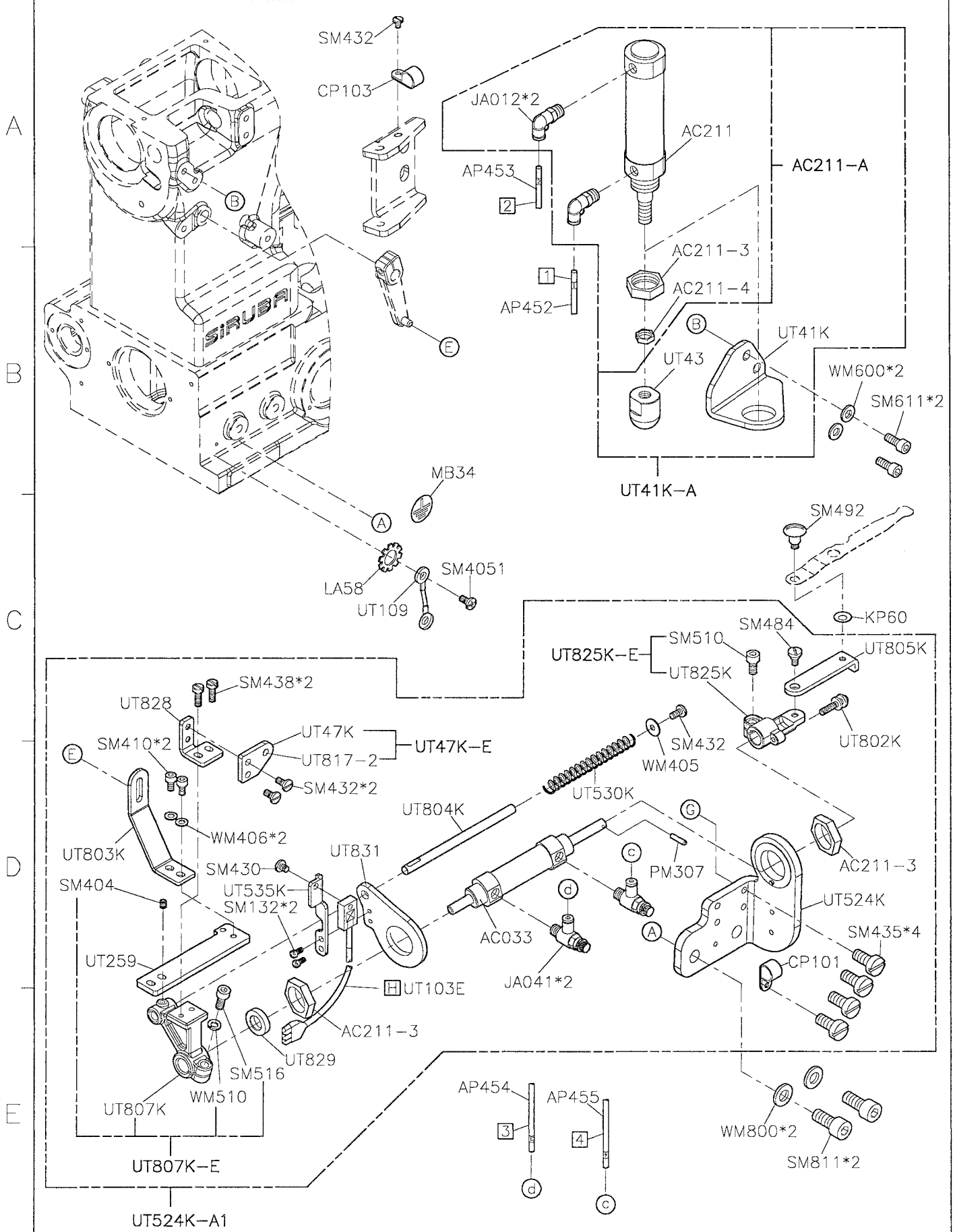
SIRUBA PARTS LIST	Series	Parts Group	Subclass / Remark	Page
	S007K/S007KD	SER	For S007K/S007KD 2 nd Generation ☐ : Use for H牌馬達	3/3
				Date
				2016/8/23



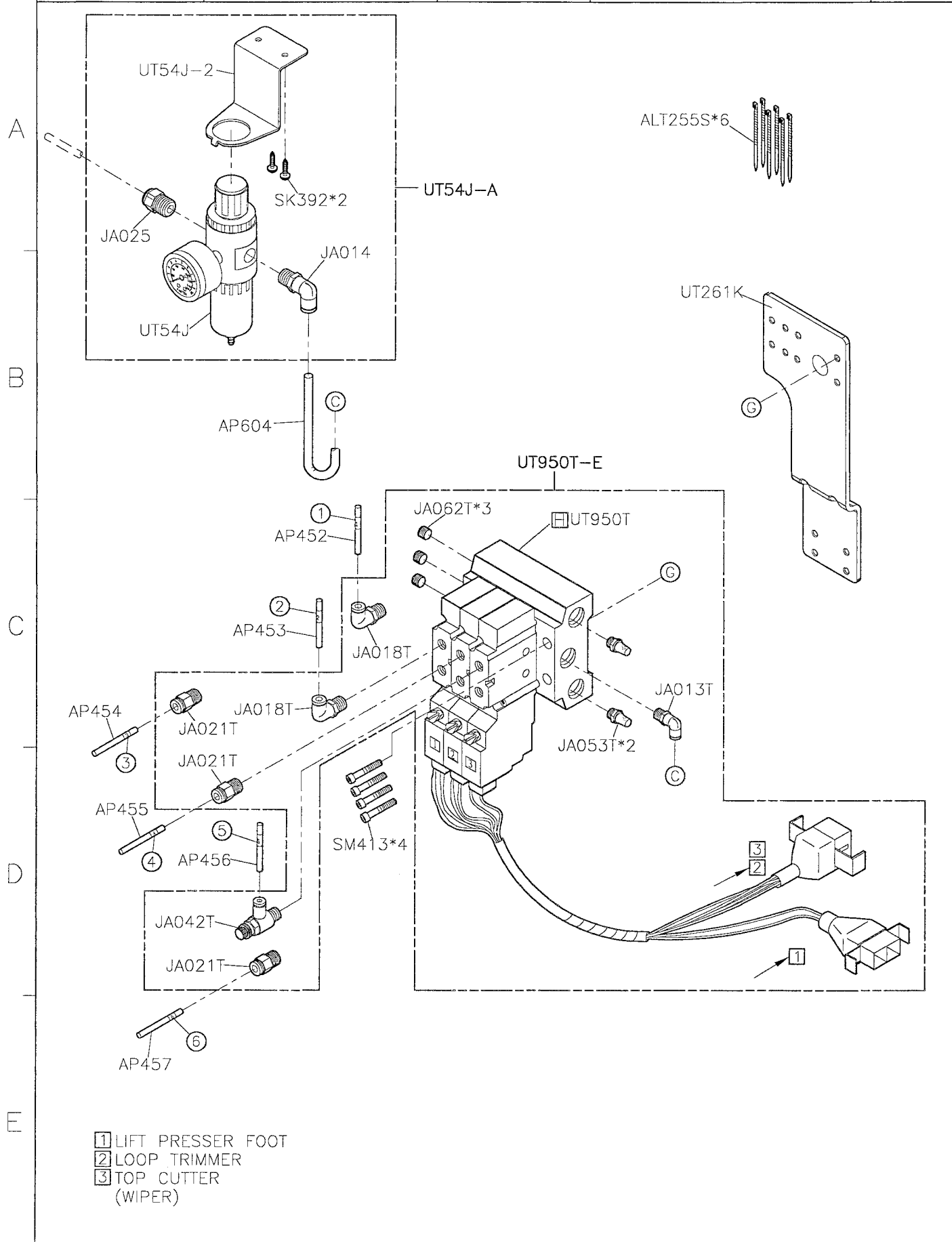
SIRUBA PARTS LIST	Series	Parts Group	Subclass / Remark	Page
	S007K/S007KD	UTT(UTU)-K	For S007K/S007KD 2 nd Generation	1/9
				Date 2016/8/24



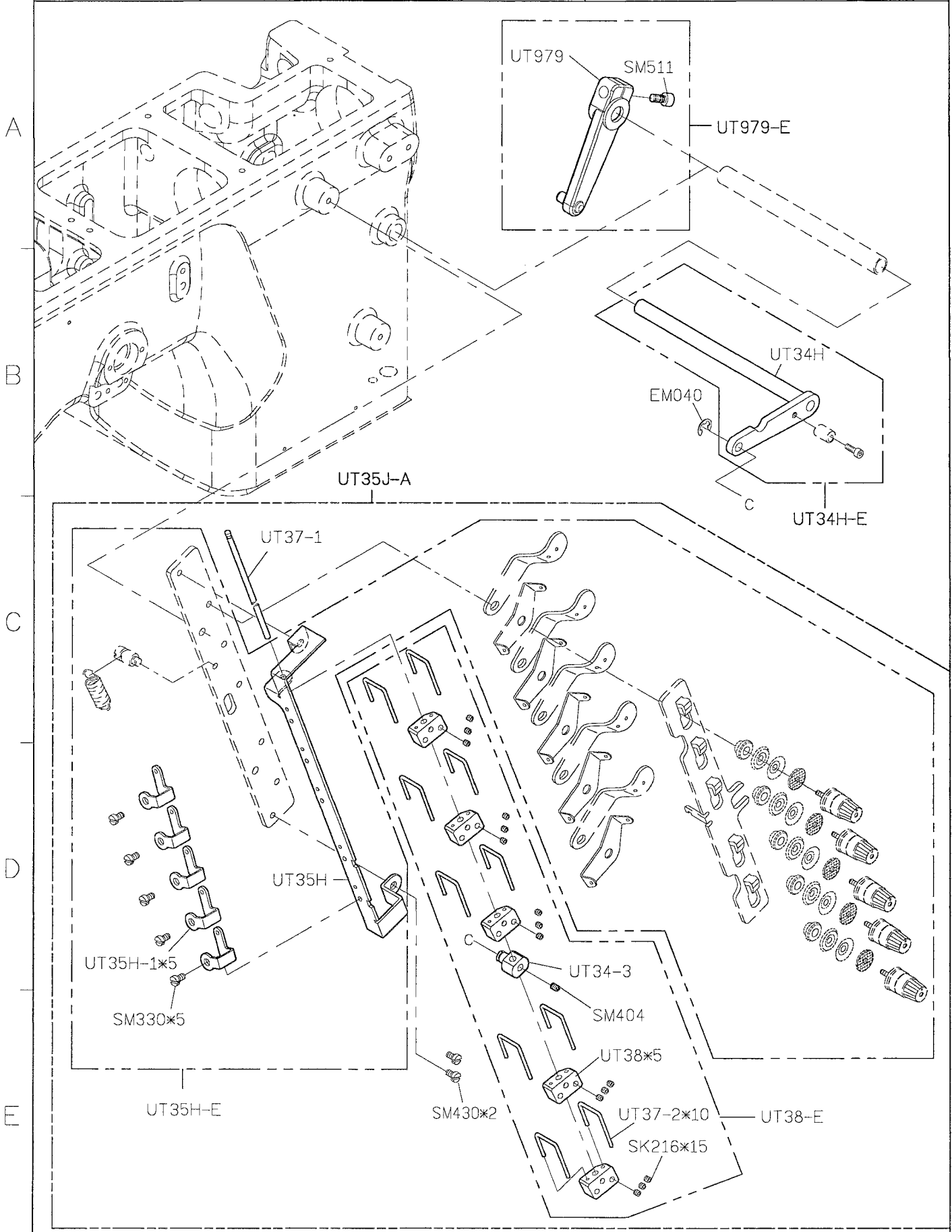
SIRUBA PARTS LIST	Series	Parts Group	Subclass / Remark	Page
	S007K/S007KD	UTT(UTU)-K	For S007K/S007KD 2 nd Generation ☐ : Use for H brand motor	2/9
				Date
				2016/8/24



SIRUBA PARTS LIST	Series	Parts Group	Subclass / Remark	Page
	S007K/S007KD	UTT(UTU)-K	For S007K/S007KD 2 nd Generation □ : Use for H brand motor	3/9
				Date
				2016/8/24



SIRUBA PARTS LIST	Series	Parts Group	Subclass / Remark	Page
	S007K/S007KD	UTT(UTU)-K	For S007K/S007KD 2 nd Generation	4/9
				Date 2016/8/24



1 2 3 4 5

SIRUBA PARTS LIST	Series	Parts Group	Subclass / Remark	Page
	S007K/S007KD	UTU-K	For S007K/S007KD 2 nd Generation	5/9
				Date
				2016/8/24

A

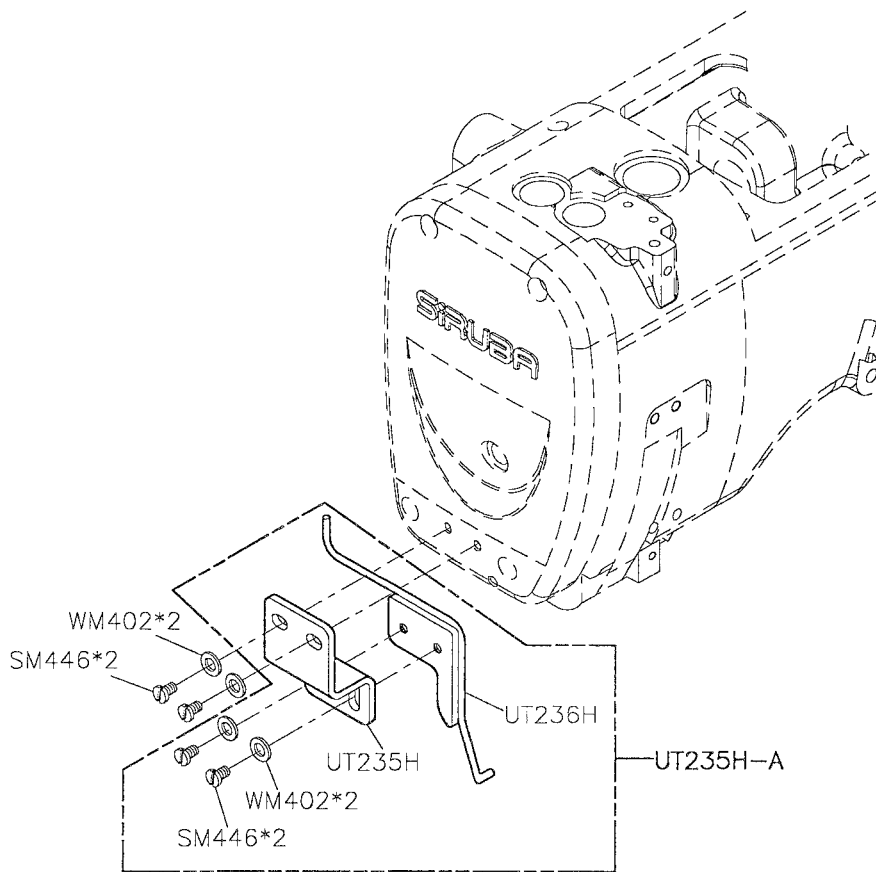
B

C

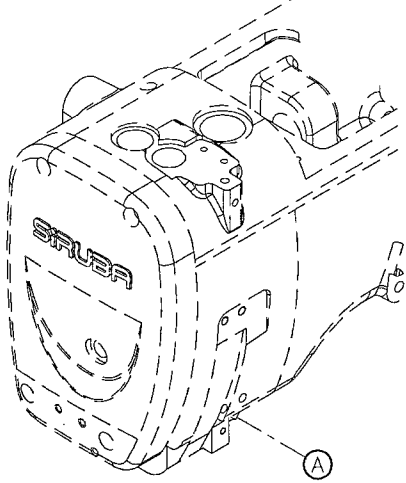
D

E

FOR LEFT SIDE

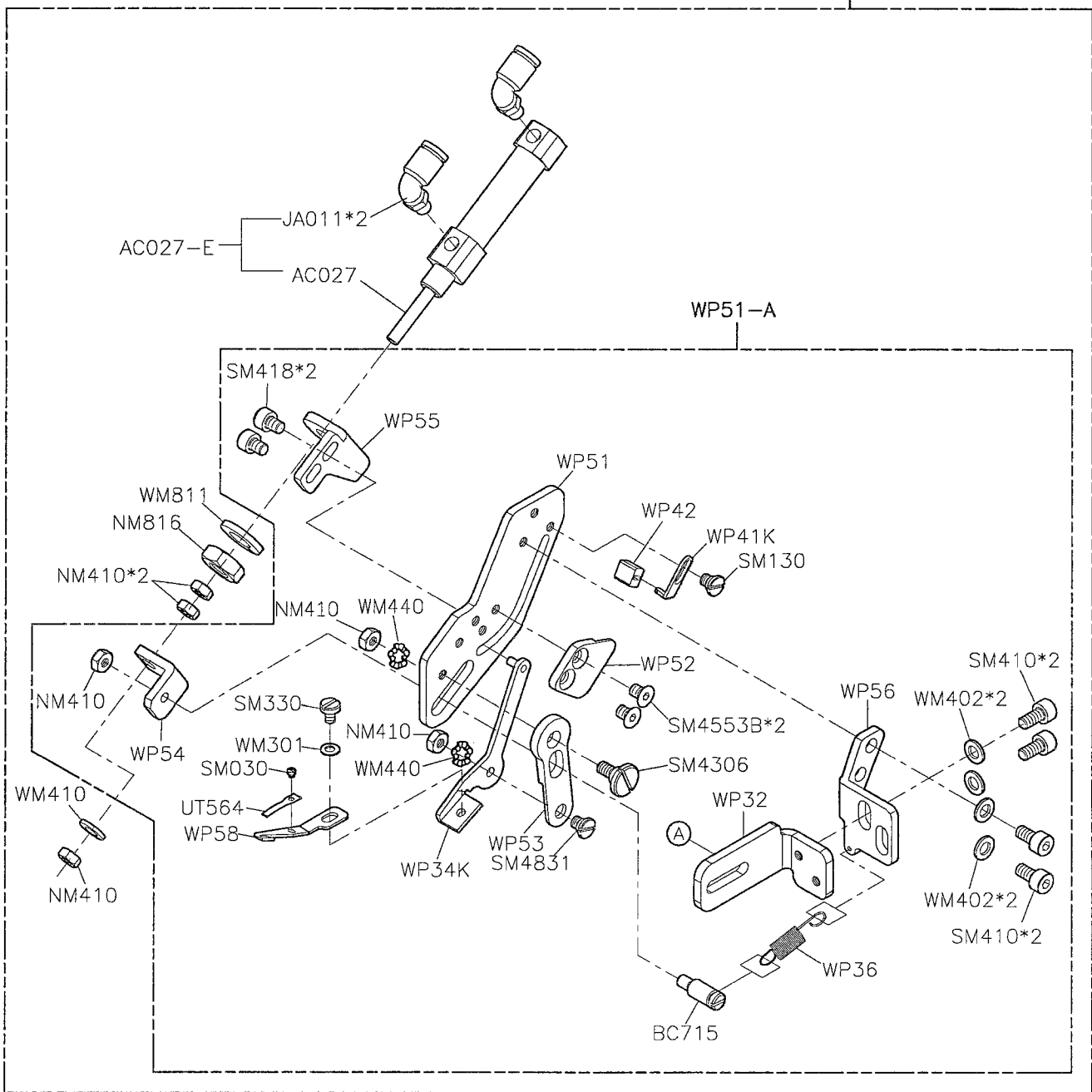


SIRUBA PARTS LIST	Series	Parts Group	Subclass / Remark	Page
	S007K/S007KD	UTU-K1	For allocation	6/9
				Date
				2016/8/24



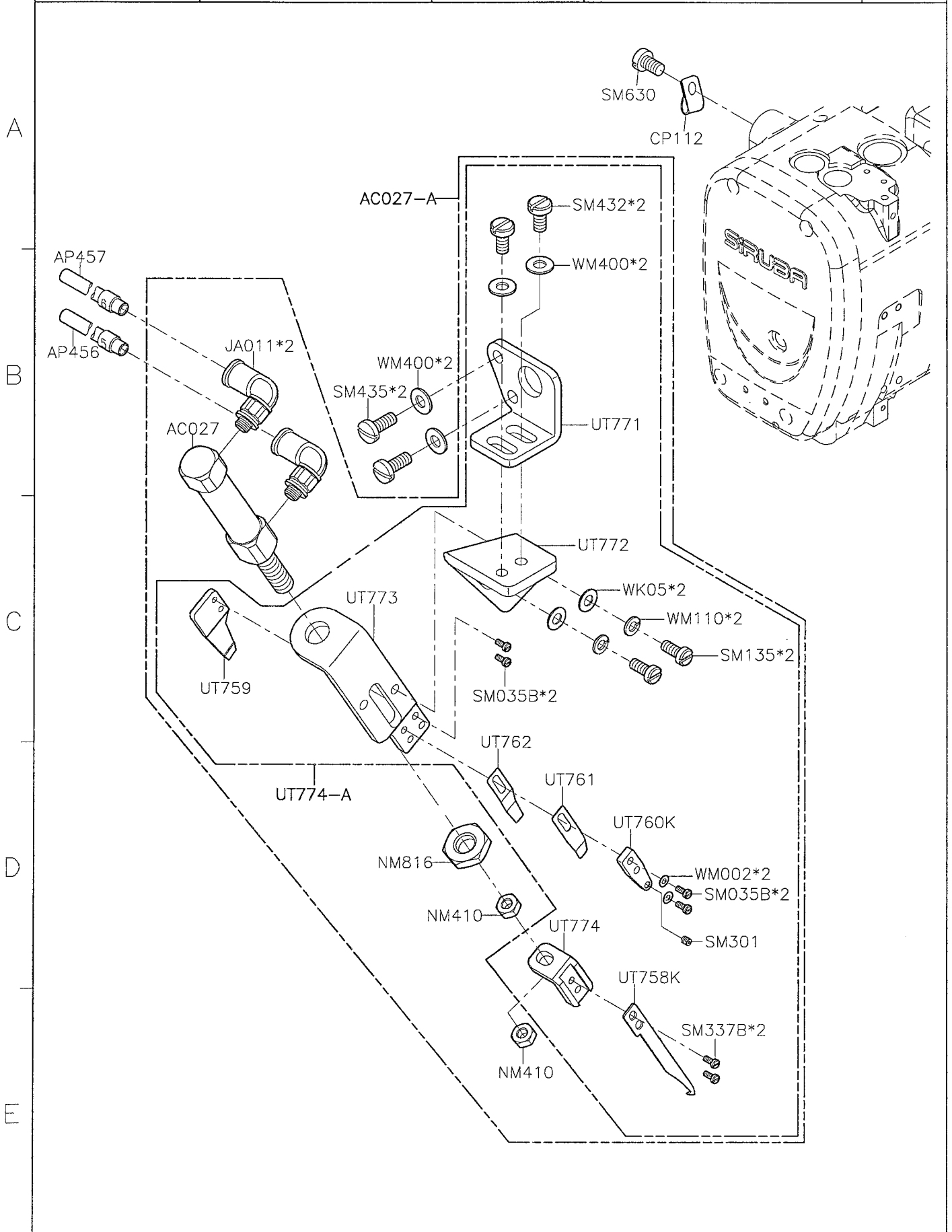
WP51-A1

A
B
C
D
E

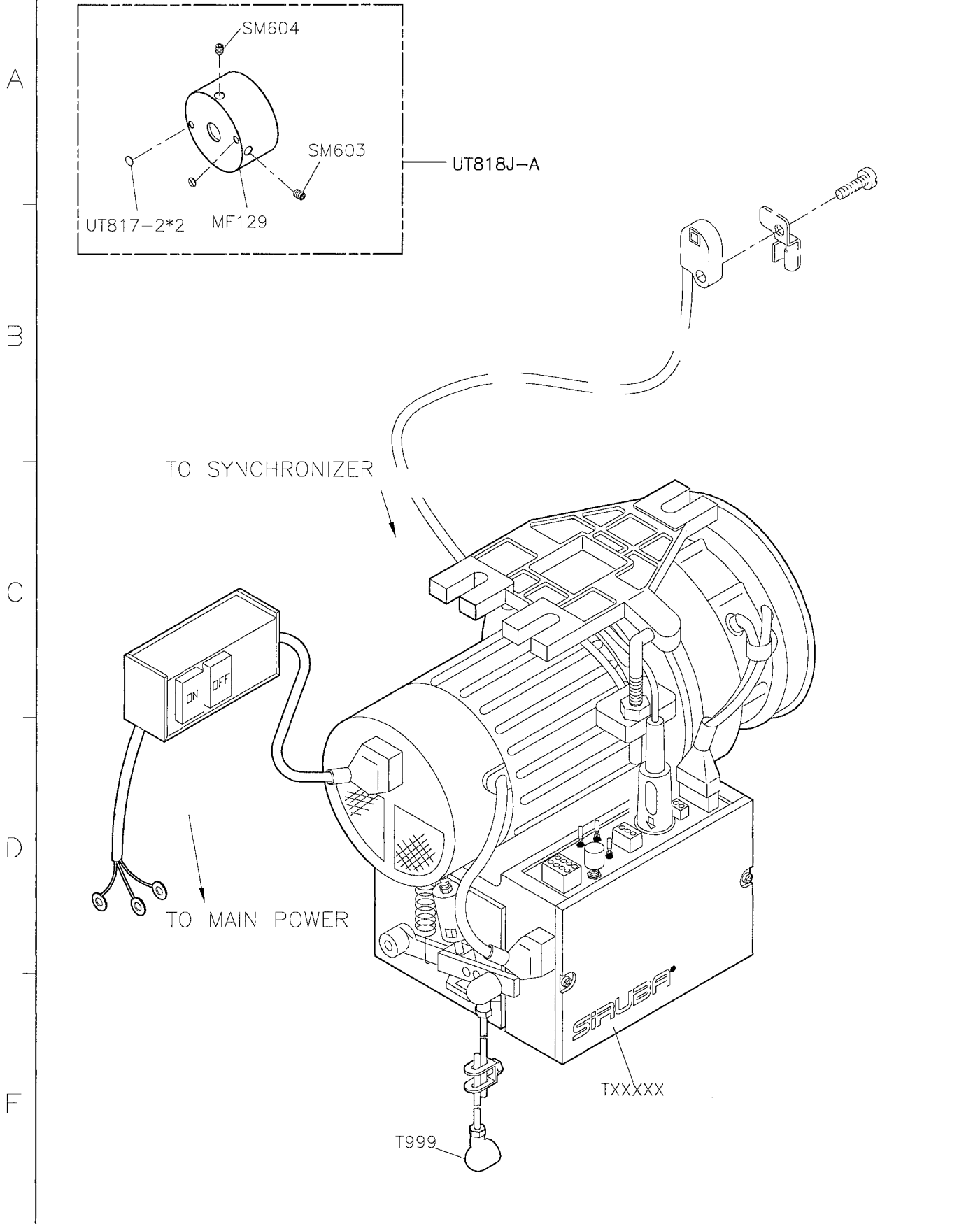


1 2 3 4 5

SIRUBA PARTS LIST	Series	Parts Group	Subclass / Remark	Page
	S007K/S007KD	UTT-K	For S007K/S007KD 2 nd Generation	7/9
				Date
				2016/8/24

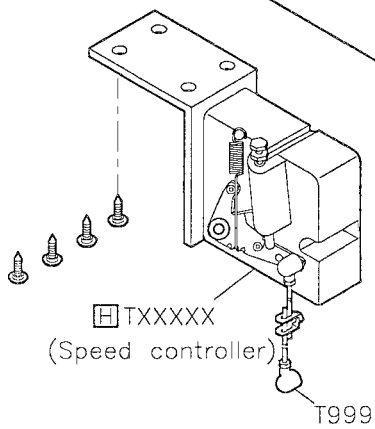
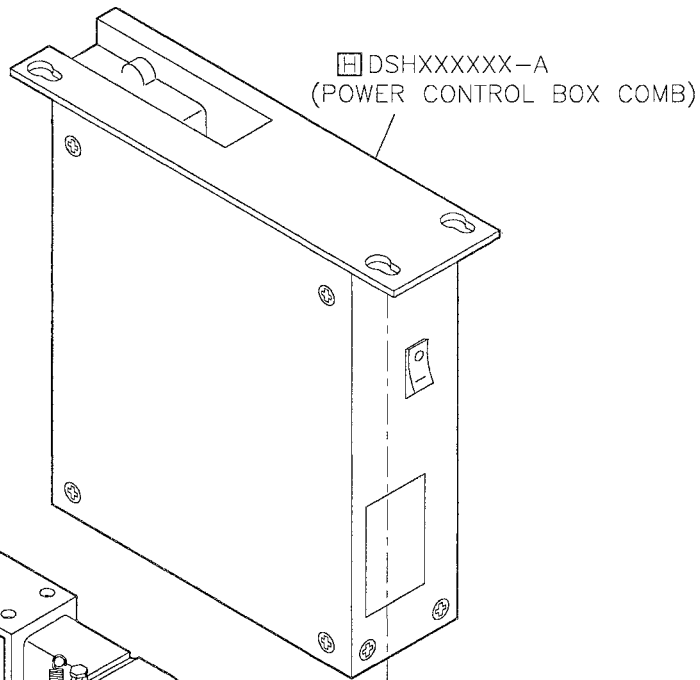
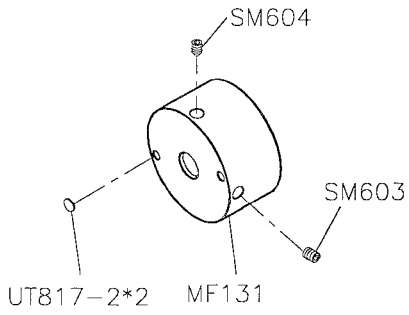


SIRUBA	Series	Parts Group	Subclass / Remark	Page
PARTS LIST	S007K/S007KD	UTT(UTU)-K	For S007K/S007KD 2 nd Generation ☐ : Use for H brand motor	8/9
				Date
				2016/9/14



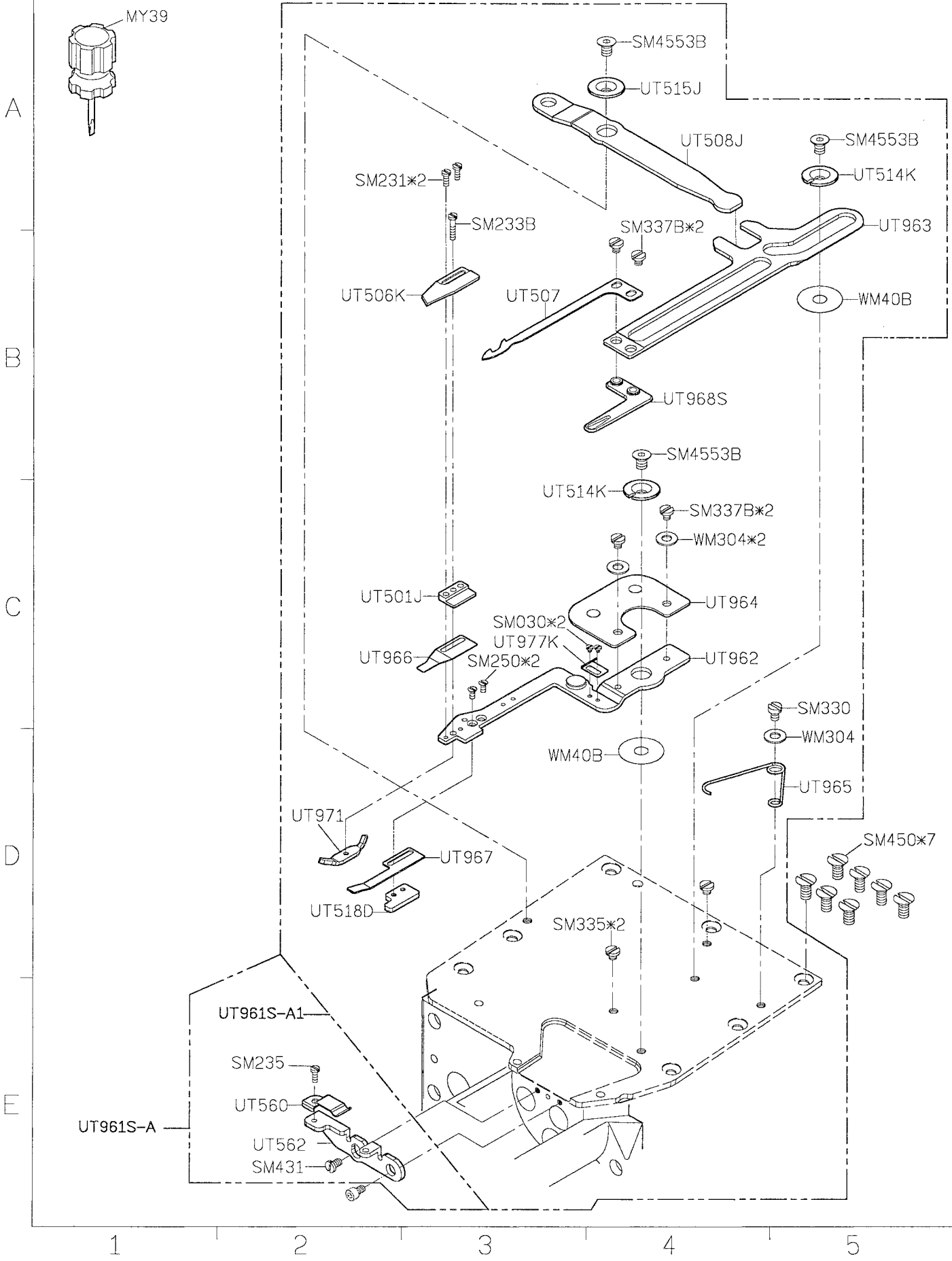
SIRUBA PARTS LIST	Series	Parts Group	Subclass / Remark	Page
	S007K/S007KD	UTT(UTU)-K	For S007K/S007KD 2 nd Generation ☐ : Use for H brand motor (i - 60)	9/9
				Date
				2016/8/24

A
B
C
D
E

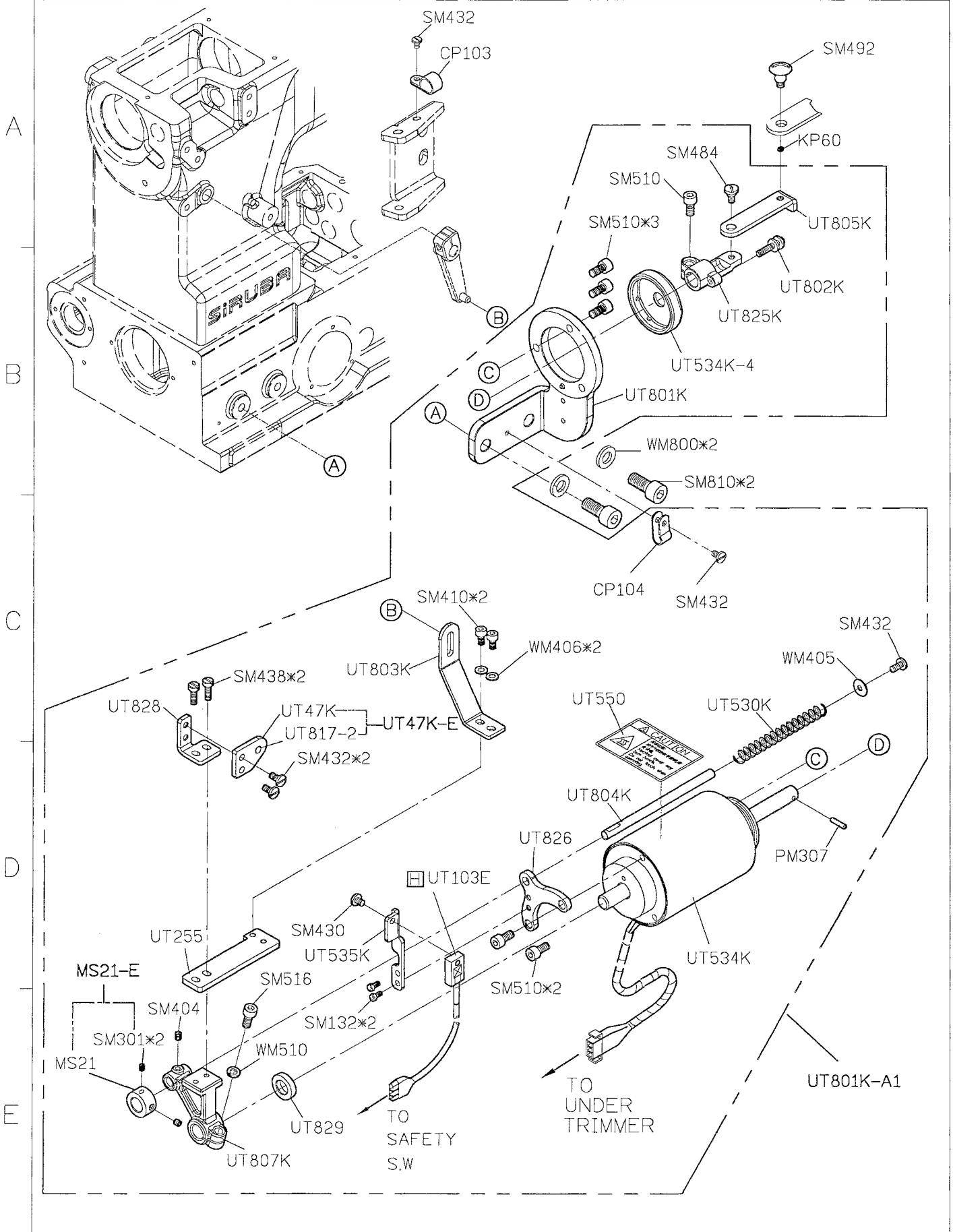


1 2 3 4 5

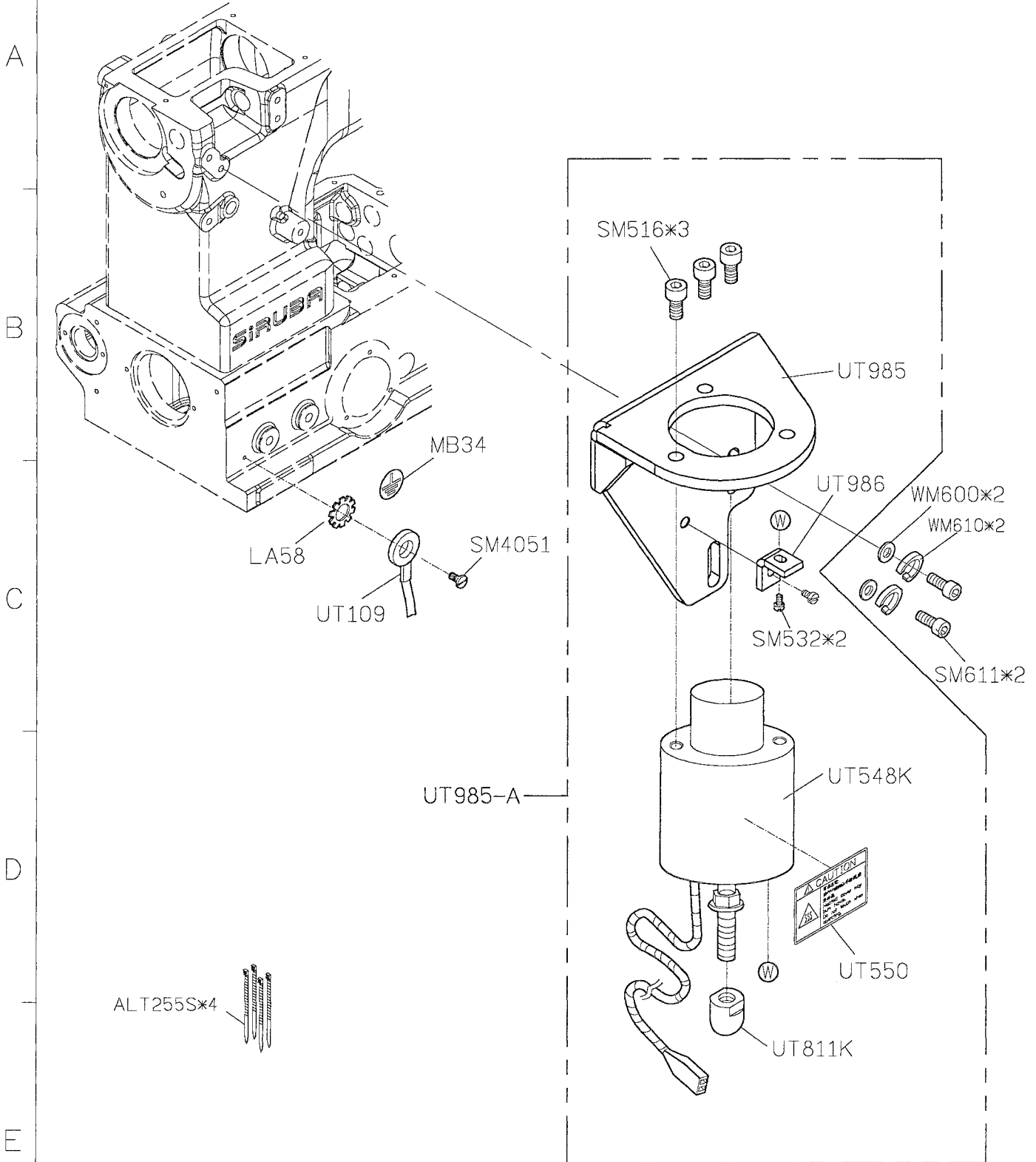
SIRUBA PARTS LIST	Series	Parts Group	Subclass / Remark	Page
	S007K/S007KD	UTX(UTY)-K	For S007K/S007KD 2 nd Generation	1/9
				Date 2016/8/23



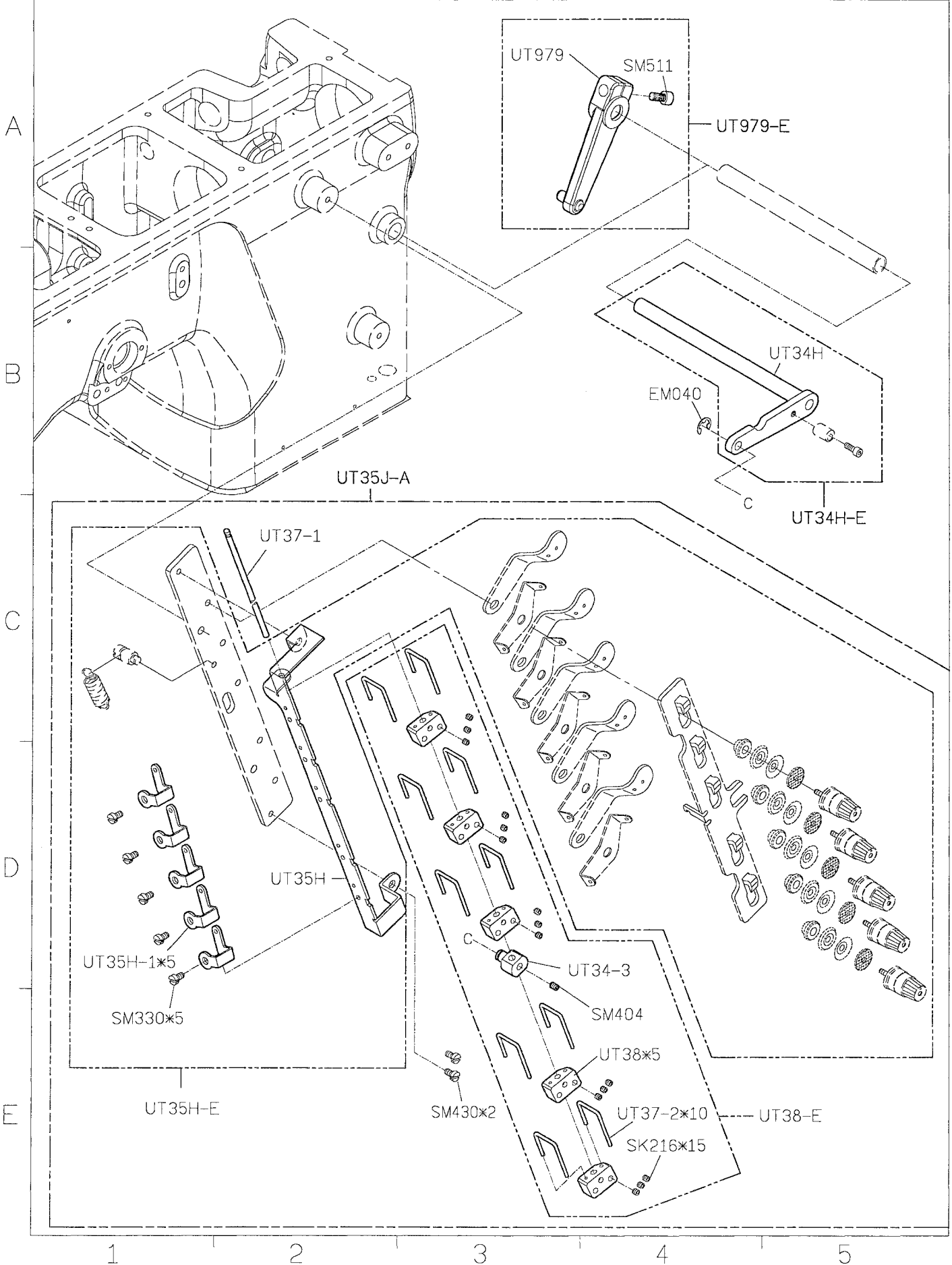
SIRUBA PARTS LIST	Series	Parts Group	Subclass / Remark	Page
	S007K/S007KD	UTX(UTY)-K	For S007K/S007KD 2 nd Generation ☐H : Use for H brand motor	2/9
				Date 2016/8/23



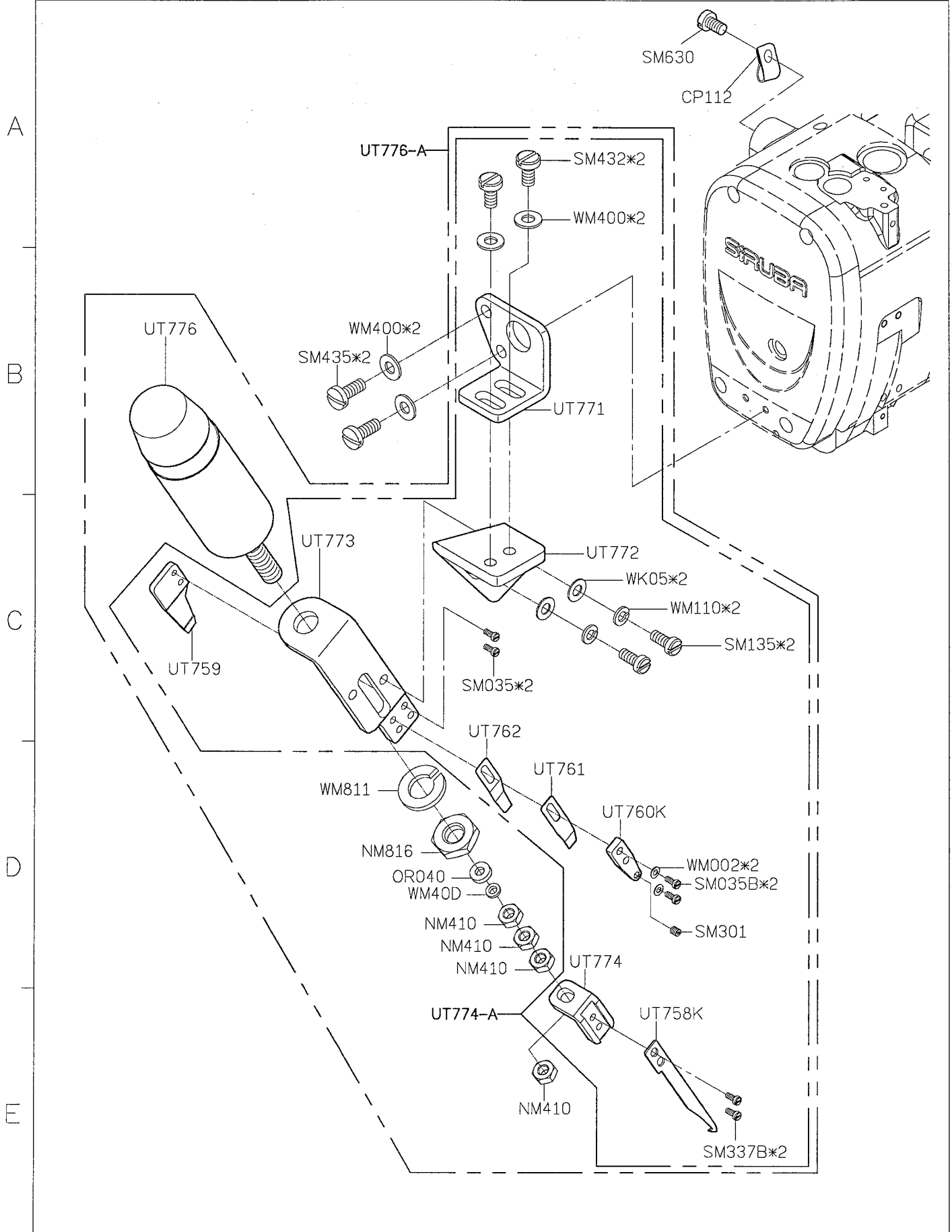
SIRUBA PARTS LIST	Series	Parts Group	Subclass / Remark	Page
	S007K/S007KD	UTX(UTY)-K	For S007K/S007KD 2 nd Generation	3/9
				Date 2016/8/23



SIRUBA PARTS LIST	Series	Parts Group	Subclass / Remark	Page
	S007K/S007KD	UTX(UTY)-K	For S007K/S007KD 2 nd Generation	4/9
				Date 2016/8/23

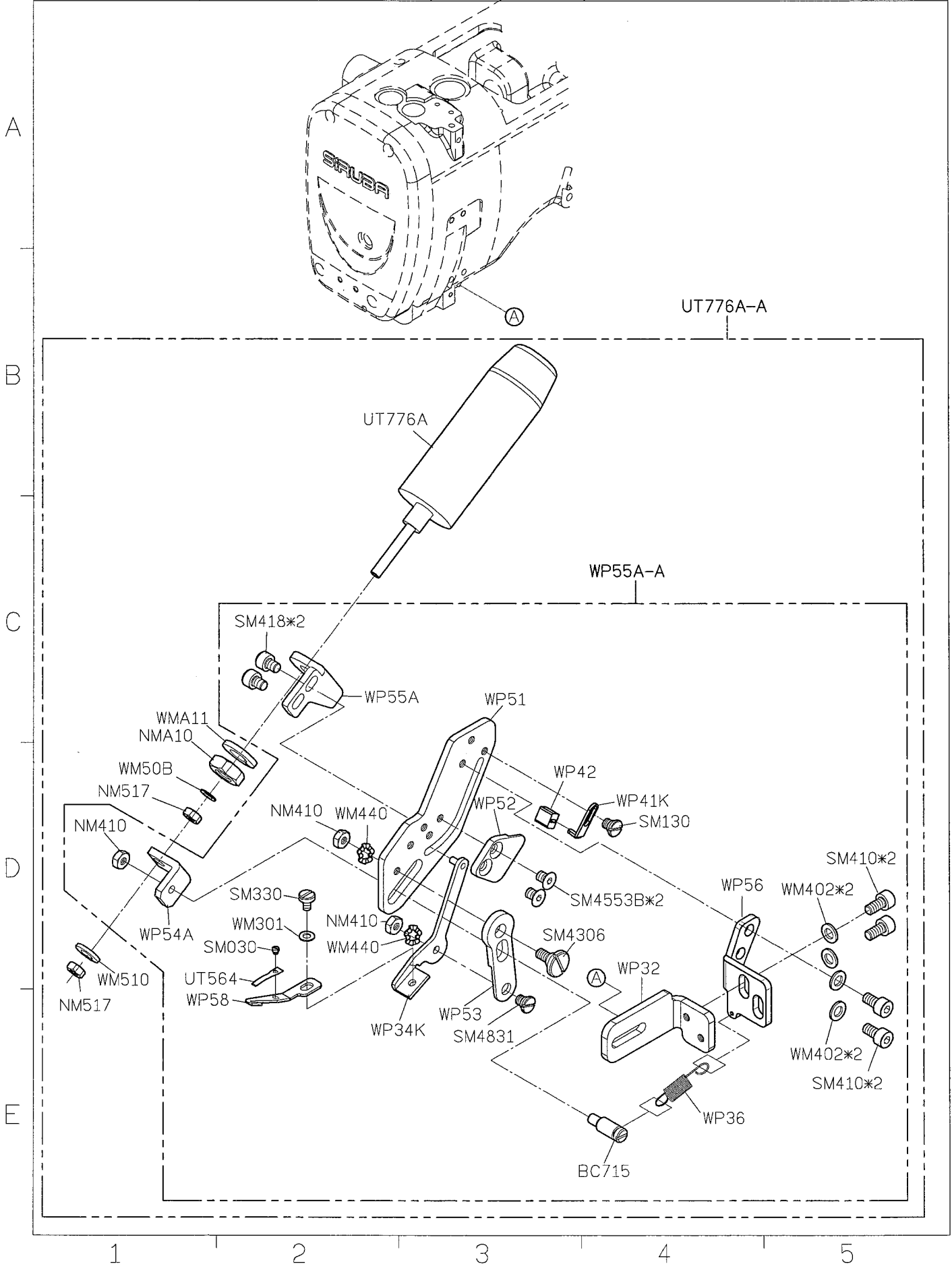


SIRUBA PARTS LIST	Series	Parts Group	Subclass / Remark	Page
	S007K/S007KD	UTX-K	For S007K/S007KD 2 nd Generation	5/9
				Date
				2016/8/23

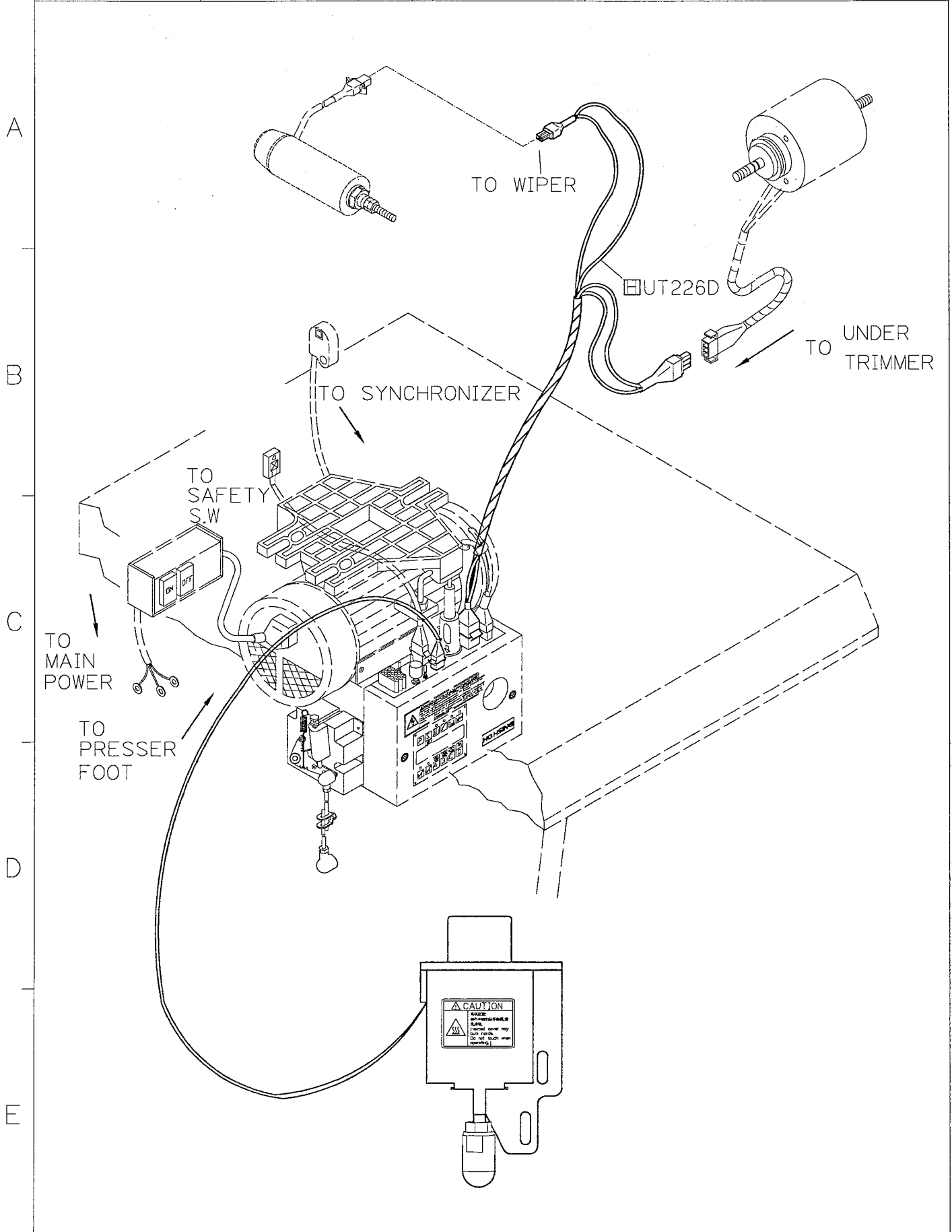


1 2 3 4 5

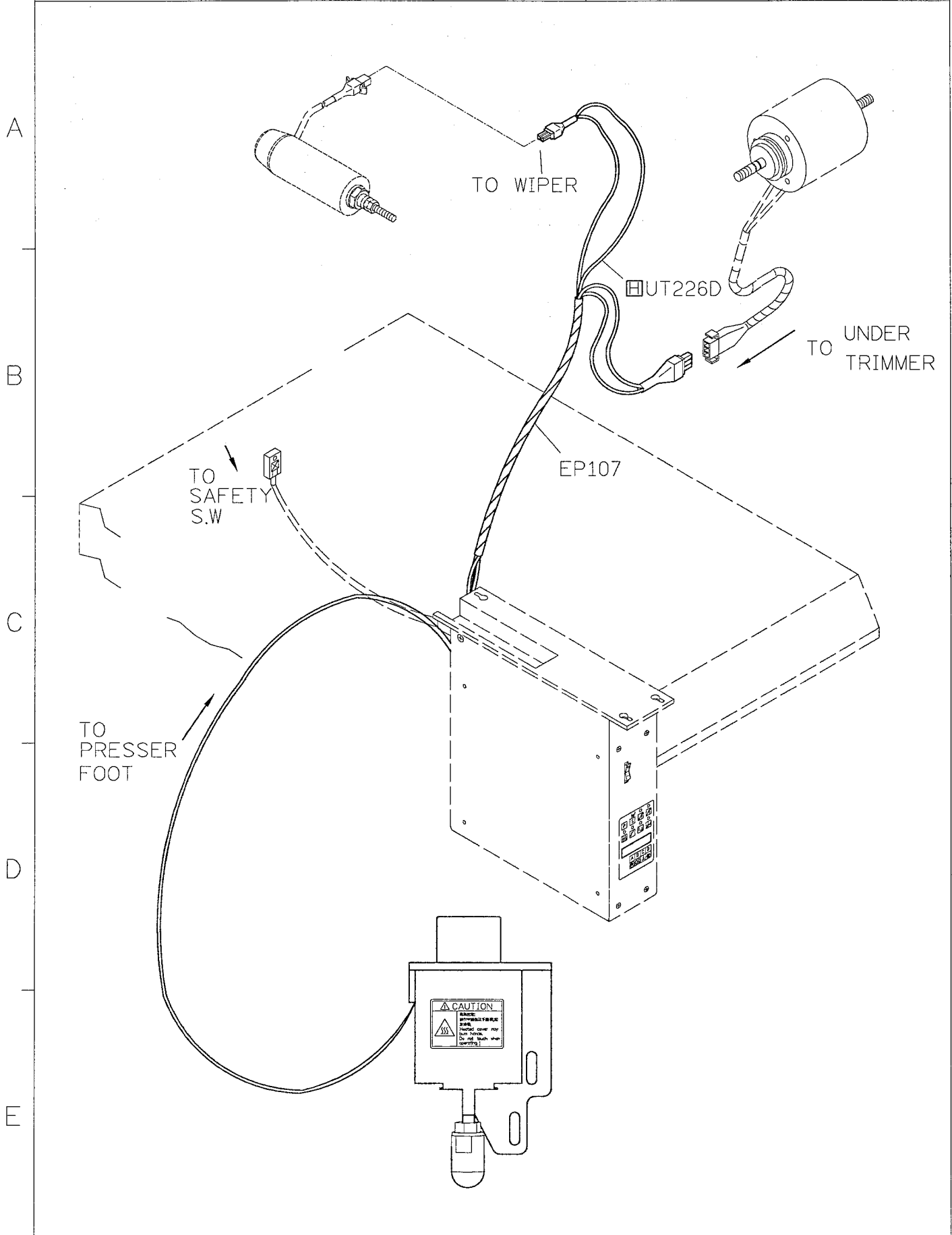
SIRUBA PARTS LIST	Series	Parts Group	Subclass / Remark	Page
	S007K/S007KD	UTY-K	For S007K/S007KD 2 nd Generation	6/9
				Date 2016/10/19



SIRUBA PARTS LIST	Series	Parts Group	Subclass / Remark	Page
	S007K/S007KD	UTX(UTY)-K	For S007K/S007KD 2 nd Generation ☐ : Use for H brand motor	7/9
				Date 2016/8/23

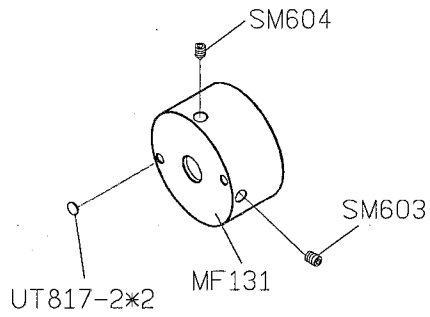


SIRUBA PARTS LIST	Series	Parts Group	Subclass / Remark	Page
	S007K/S007KD	UTX(UTY)-K	For S007K/S007KD 2 nd Generation ☐ : Use for H brand motor	8/9
				Date 2016/8/23



SiRUBA PARTS LIST	Series	Parts Group	Subclass / Remark	Page
	S007K/S007KD	UTX(UTY)-K	For S007K/S007KD 2 nd Generation ☐ : Use for H brand motor (i - 60)	9/9
				Date
				2016/8/23

A

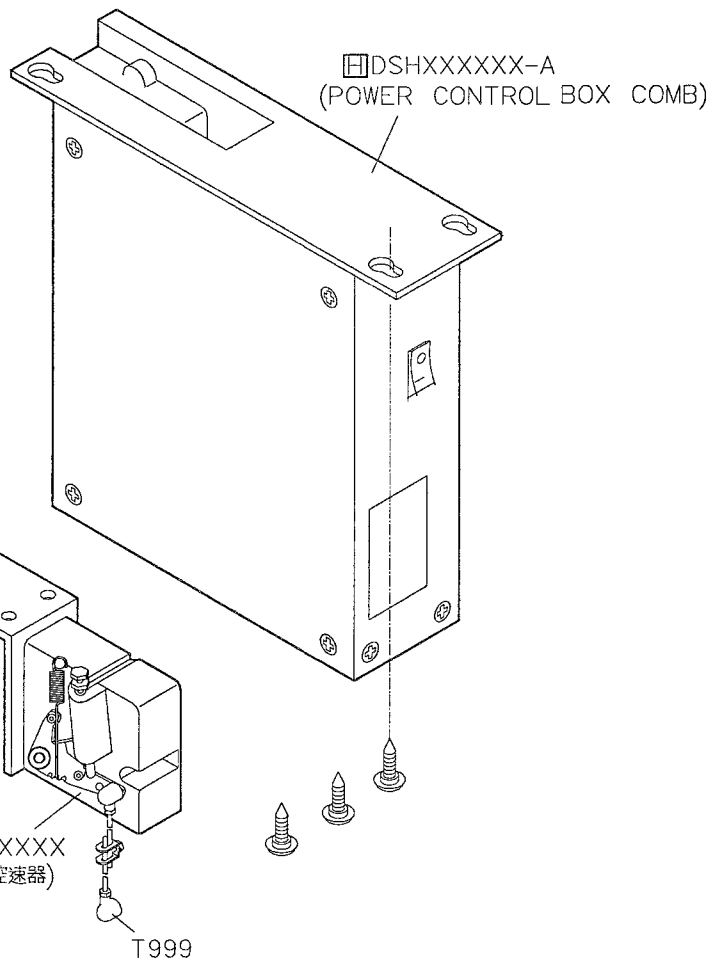


B

C

D

E



1

2

3

4

5