


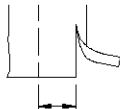

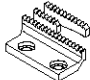




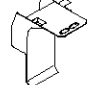



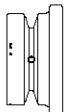


SIRUBA GAGE PARTS LIST	Series L918U	Remark RM1	Page 1 / 2	Date 2012/11/01




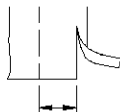

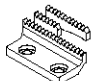
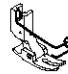



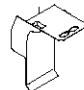



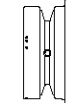
L918U-RM1規格件表 / CONVERSION CHART

														
MODEL	SUB-CLASS	OPERATING PANEL	GAUGE WIDTH	NEEDLE PLATE	FEED DOG	PRESSER FOOT	HOOK ASM	BOBBIN CASE ASM	BOBBIN	THROAT PLATE CHIP GUARD	NEEDLE	THREAD GUIDE	THROAT PLATE COVER	HAND WHEEL
機 型	規 格	操作盒	切邊距離	針 板	送 具	押 具	梭 頭	梭 殼	梭 子	下導布架	針 號	導線片	布板蓋	皮帶輪
L918-RM1-32-10 ? L918-RM1-32-13	32	L-900	1/8" (3.2mm)	E705Q (E705S)	D705 (D702)	P705 (P701)	G121	G202	G303	LR254D (LR254)	DBX1#14	LR141S	(LR106S-E) (LR106)	LH01-A1
L918-RM1-40-10 ? L918-RM1-40-13	40		5/32" (4.0mm)	E705R (E705Q)	D705	P705	G121	G202	G303	LR254D	DBX1#14	LR141S	(LR106-E)	

() 之規格件放於夾鏈袋裝于成車箱內, BOM表編與40站.

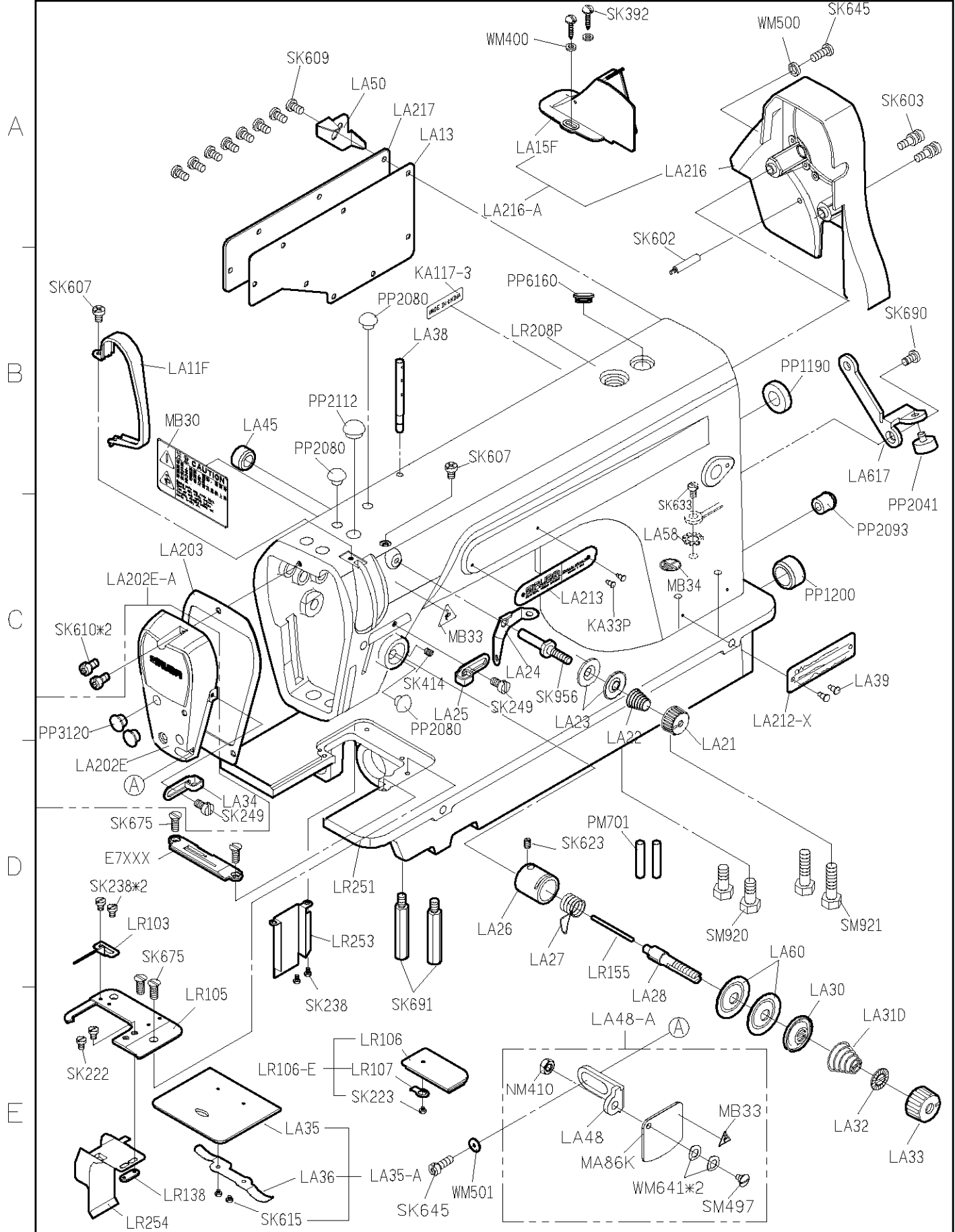
SIRUBA GAGE PARTS LIST	Series	Remark	Page	Date
	L918U	RM1	2/2	2012/11/01

L918U-RM1規格件表 / CONVERSION CHART

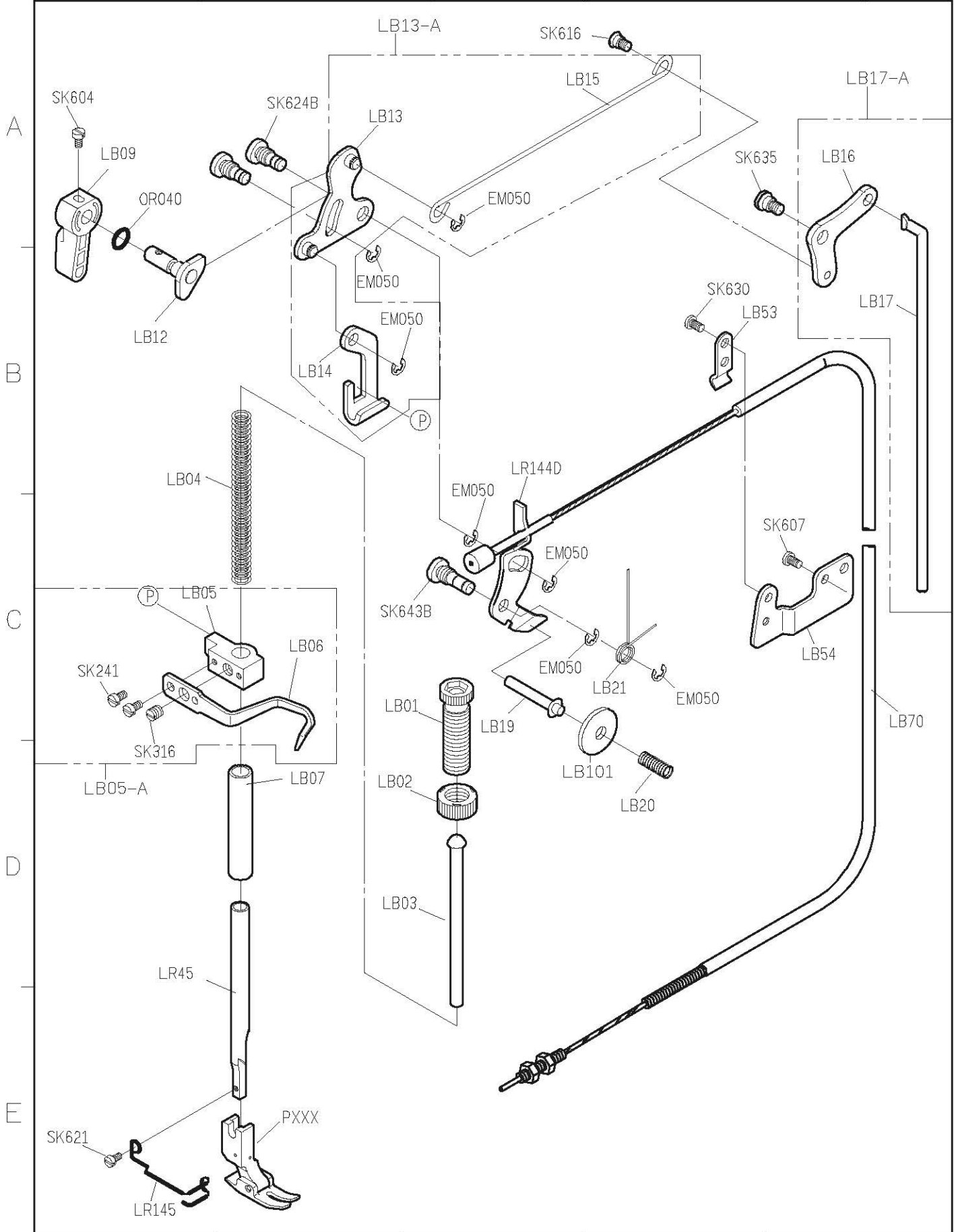
														
MODEL	SUB-CLASS	OPERATING PANEL	GAUGE WIDTH	NEEDLE PLATE	FEED DOG	PRESSER FOOT	HOOKE ASM	BOBBIN CASE ASM	BOBBIN	THROAT PLATE CHIP GUARD	NEEDLE	THREAD GUIDE	THROAT PLATE COVER	HAND WHEEL
機 型	規 格	操作盒	切邊距離	針 板	送 具	押 具	梭 頭	梭 殼	梭 子	下導布架	針 號	導線片	布板蓋	皮帶輪
L918-RM1-48-10 L918-RM1-48-13	48	L-900	3/16" (4.8mm)	E705 (E705Q)	D705	P705	G121	G202	G303	LR254D	DBX1#14	LR141S	(LR106-E)	LH01-A1
L918-RM1-64-10 L918-RM1-64-13	64		1/4" (6.4mm)	E705S (E705Q)	D702 (D705)	P701 (P705)	G121	G202	G303	LR254 (LR254D)	DBX1#14	LR141S	(LR106-E) (LR106)	
L918-RM1-95-10 L918-RM1-95-13	95		3/8" (9.5mm)	E705T (E705Q)	D702 (D705)	P701 (P705)	G121	G202	G303	LR254 (LR254D)	DBX1#14	LR141S	(LR106T-E) (LR106)	

()之規格件放於夾鏈袋裝于成車箱內, BOM表編與40站.

SIRUBA PARTS LIST	Series	Parts Group	Subclass / Remark	Page
	L918U-RM1	LA		1/1
				Date 2015/05/05

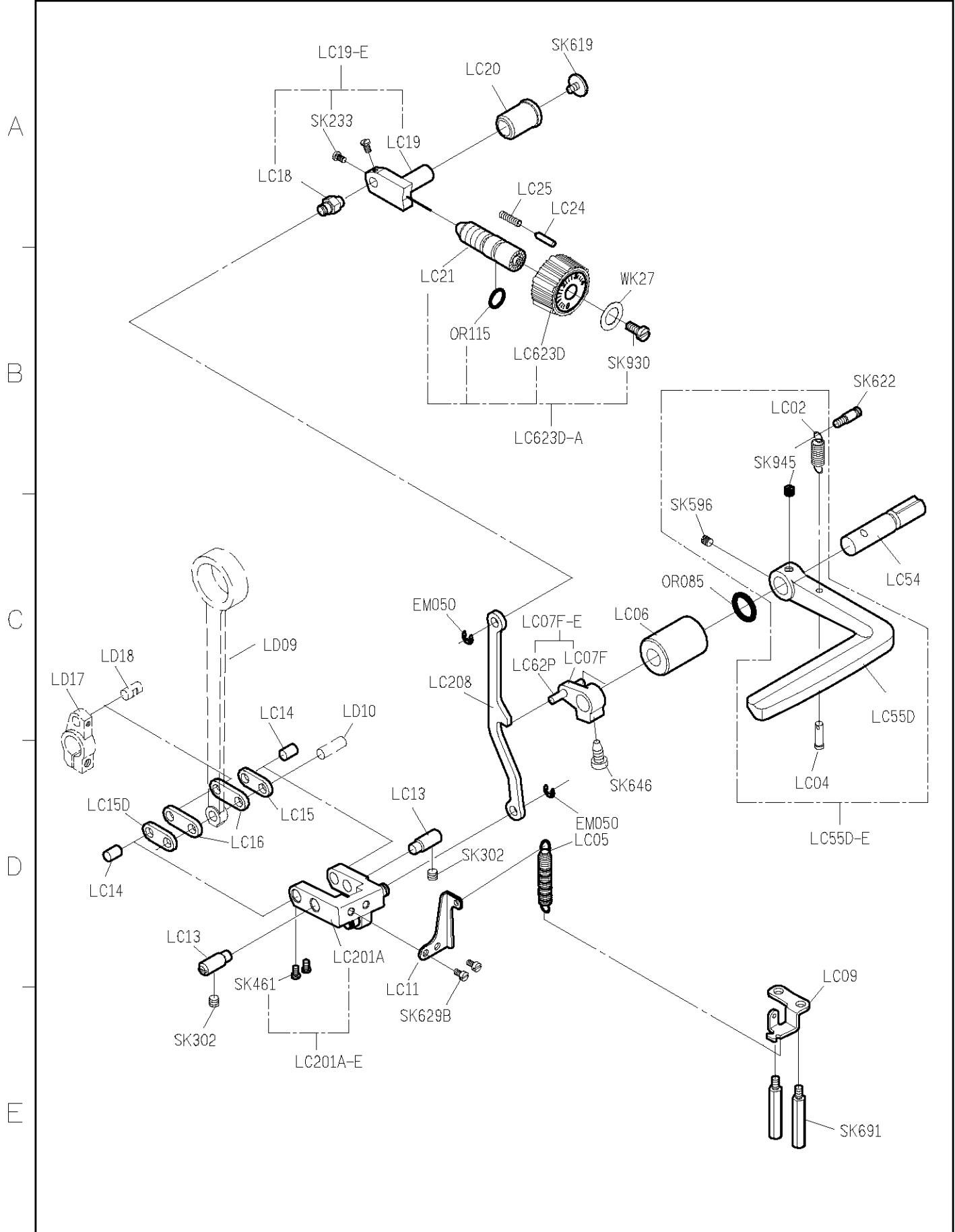


SIRUBA PARTS LIST	Series	Parts Group	Subclass / Remark	Page
	L918U-RM1	LB		1/1
				Date
				2012/11/01



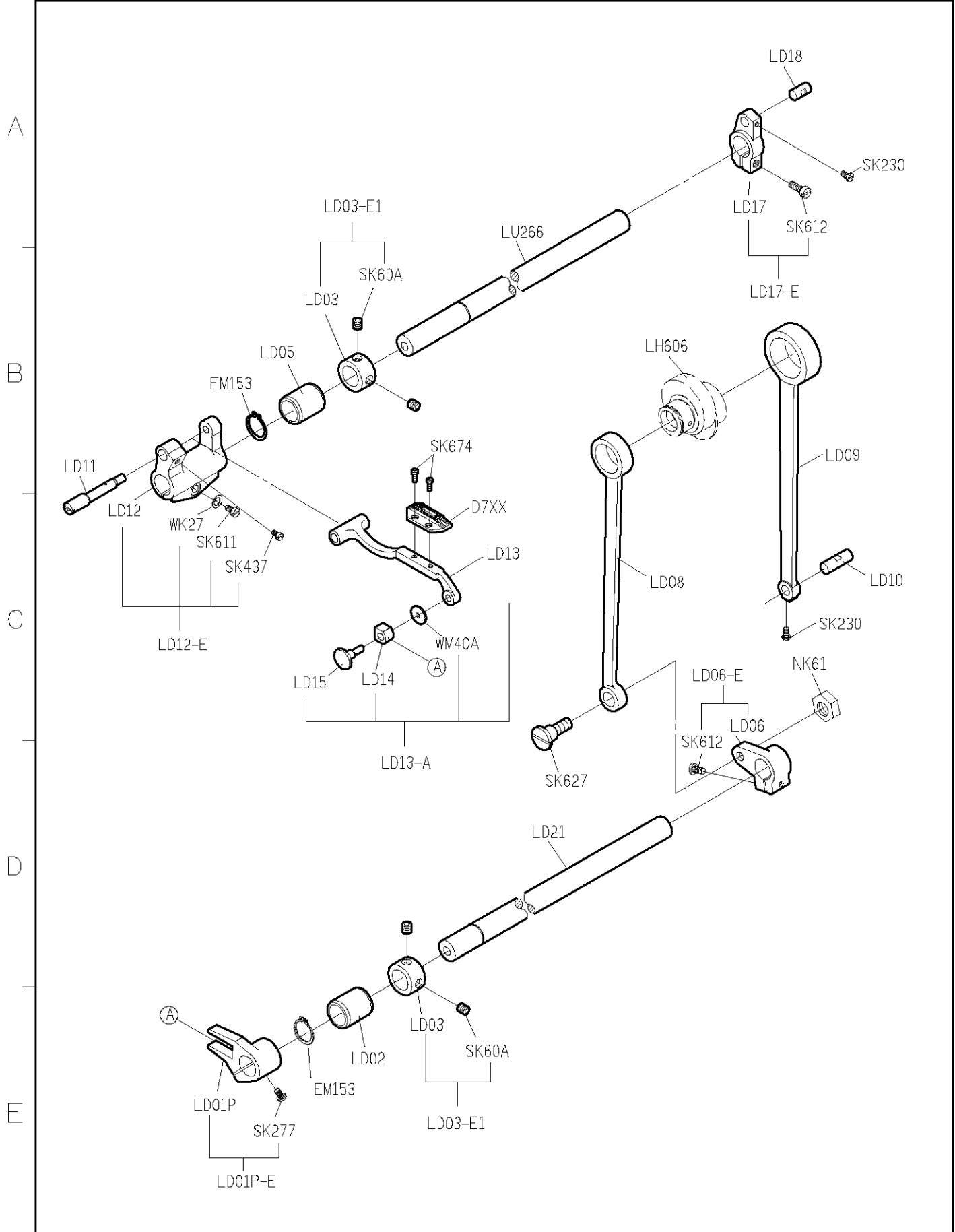
1 2 3 4 5

SIRUBA PARTS LIST	Series	Parts Group	Subclass / Remark	Page
	L918U-RM1	LC		1/1
				Date
				2015/2/5



1 2 3 4 5

SIRUBA PARTS LIST	Series	Parts Group	Subclass / Remark	Page
	L918U-RM1	LD		1/1
				Date
				2012/11/01



SIRUBA

PARTS LIST

Series

L918U-RM1

Parts Group

LE

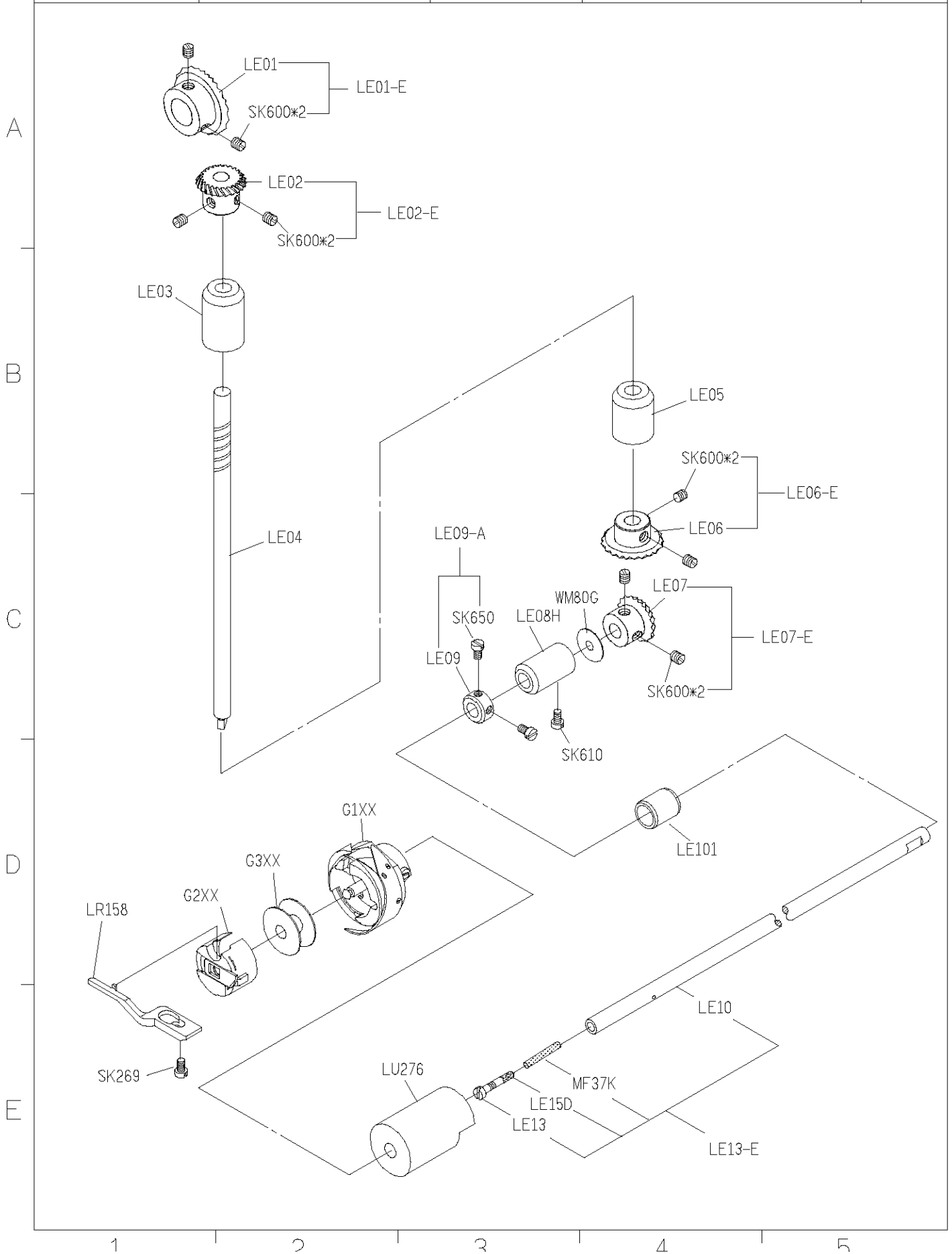
Subclass / Remark

Page

1/1

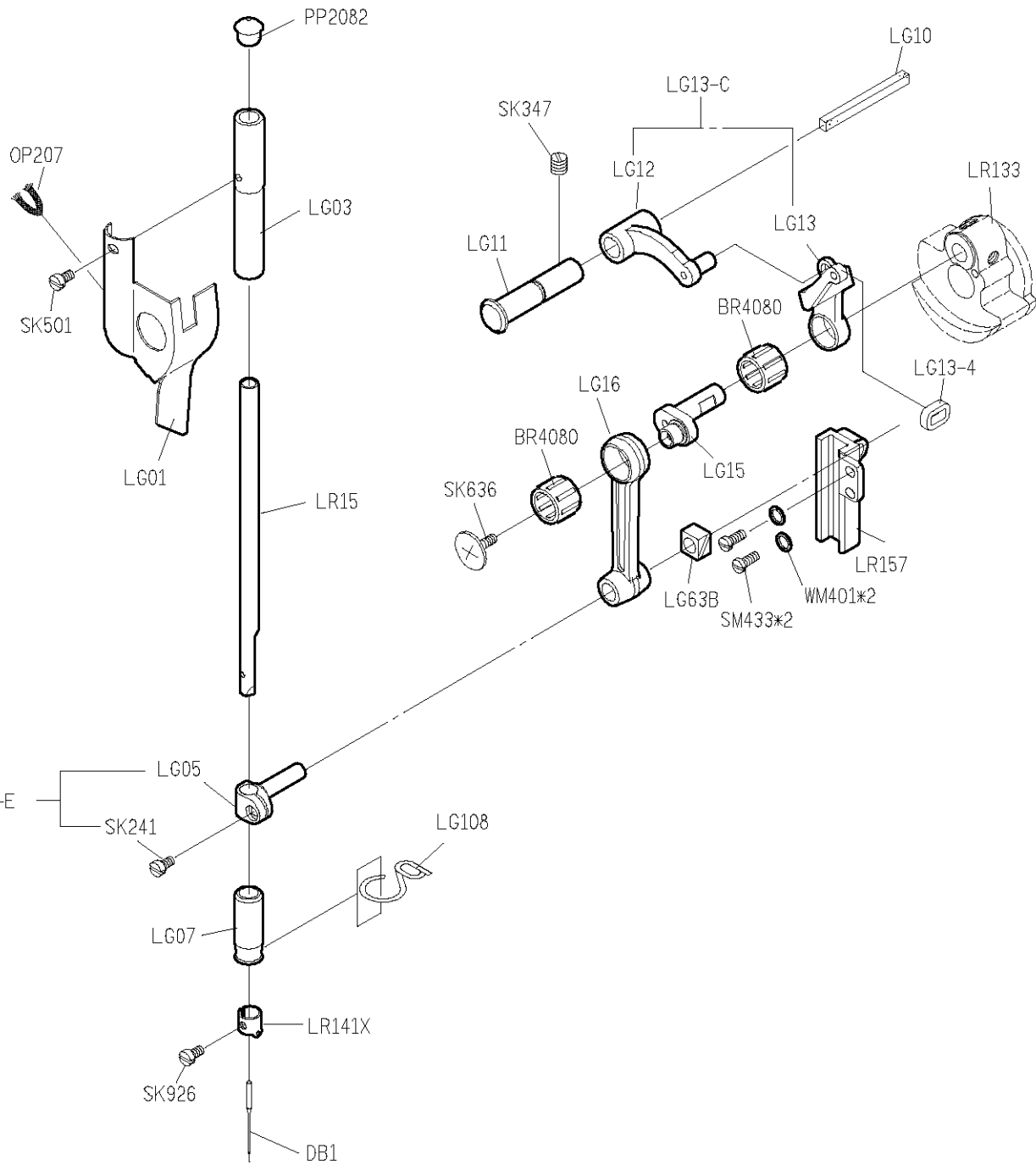
Date

2015/07/28

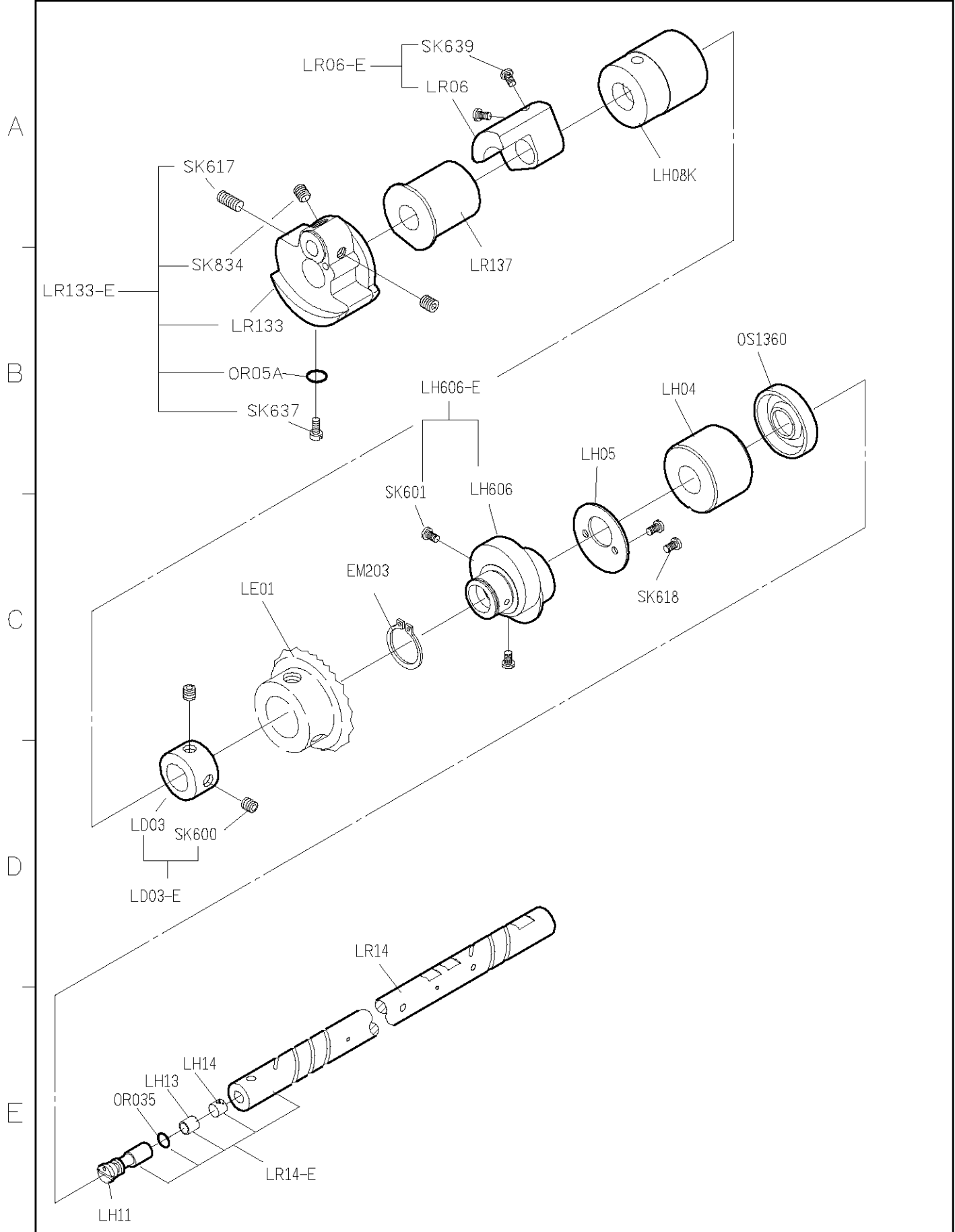


SIRUBA PARTS LIST	Series	Parts Group	Subclass / Remark	Page
	L918U-RM1	LG		1/1
				Date
				2012/11/01

A
B
C
D
E



SIRUBA PARTS LIST	Series	Parts Group	Subclass / Remark	Page
	L918U-RM1	LH		1/2
				Date
				2012/11/01



SIRUBA PARTS LIST	Series	Parts Group	Subclass / Remark	Page
	L918U-RM1	LH		2/2
				Date
				2012/11/01

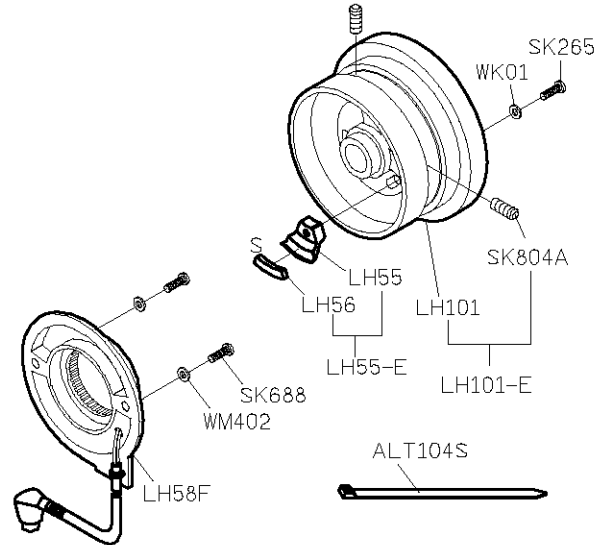
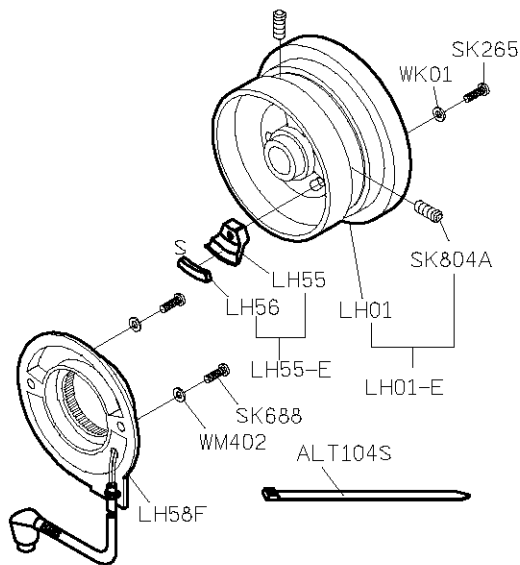
擺動式切刀

旋轉式切刀

A

H
廠牌馬達

B



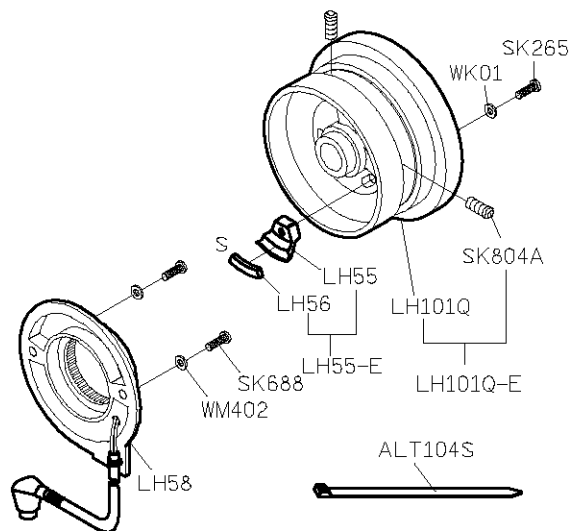
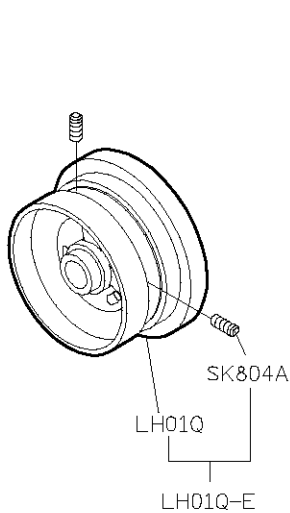
LH01-A1

LH101-A1

C

其他廠牌馬達(可加後拉輪)

D



LH01Q-E

LH101Q-A1

E

1 2 3 4 5

SIRUBA

PARTS LIST

Series

L918U-RM1

Parts Group

LL

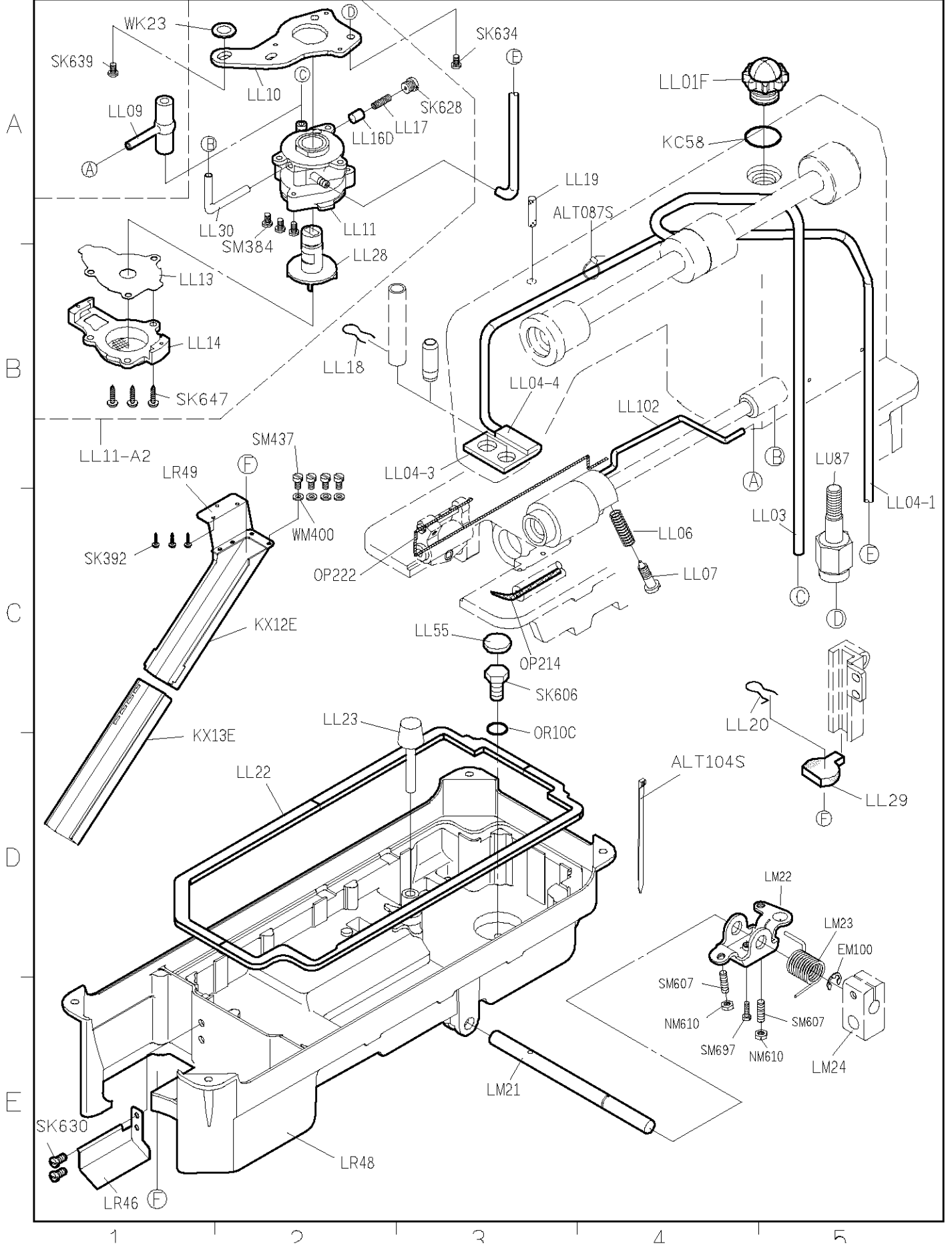
Subclass / Remark

Page

1/1

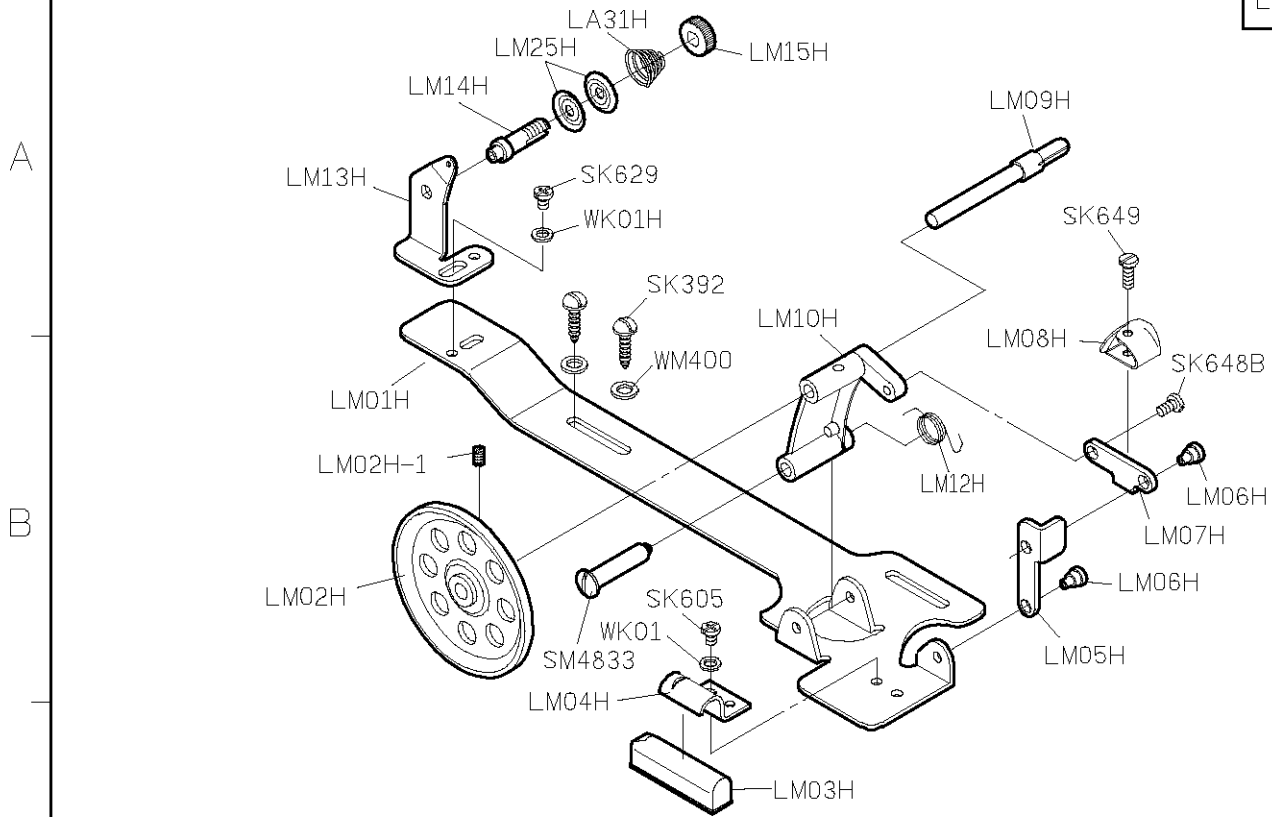
Date

2015/03/24

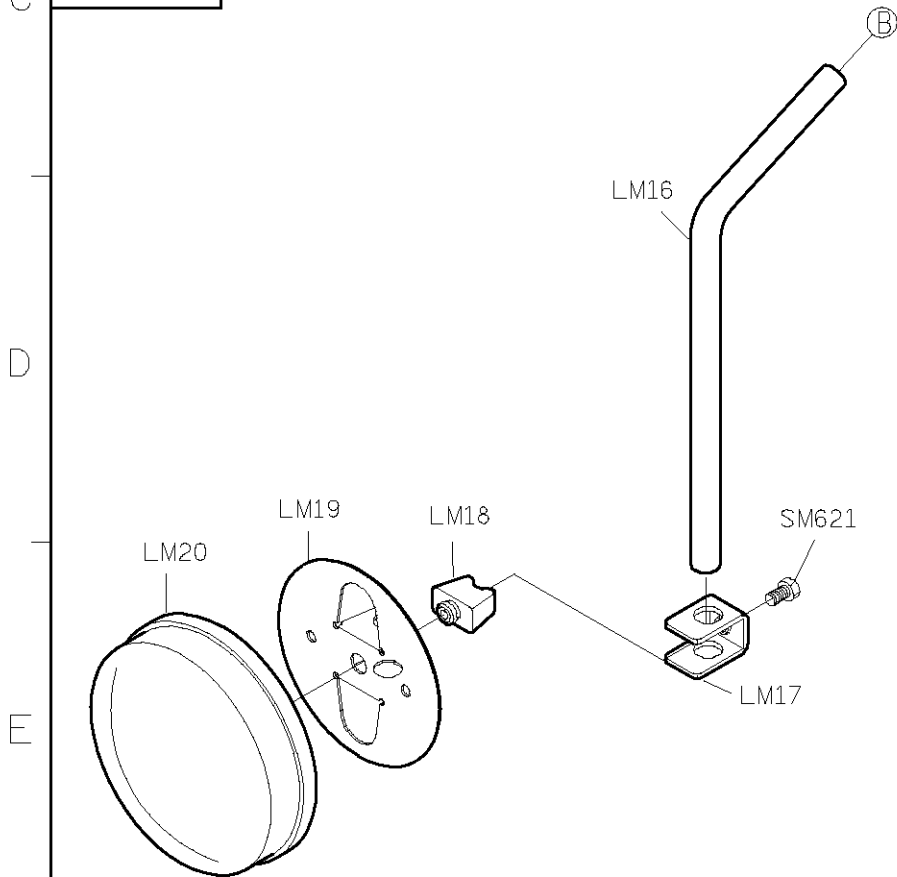


SIRUBA PARTS LIST	Series	Parts Group	Subclass / Remark	Page
	L918U-RM1	LM		1/1
				Date
				2012/11/01

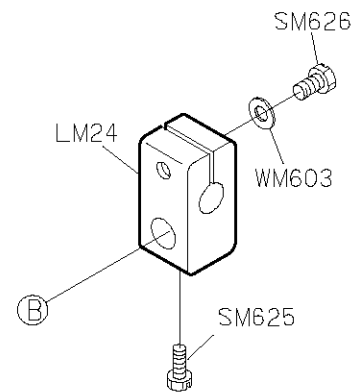
LM01H-A



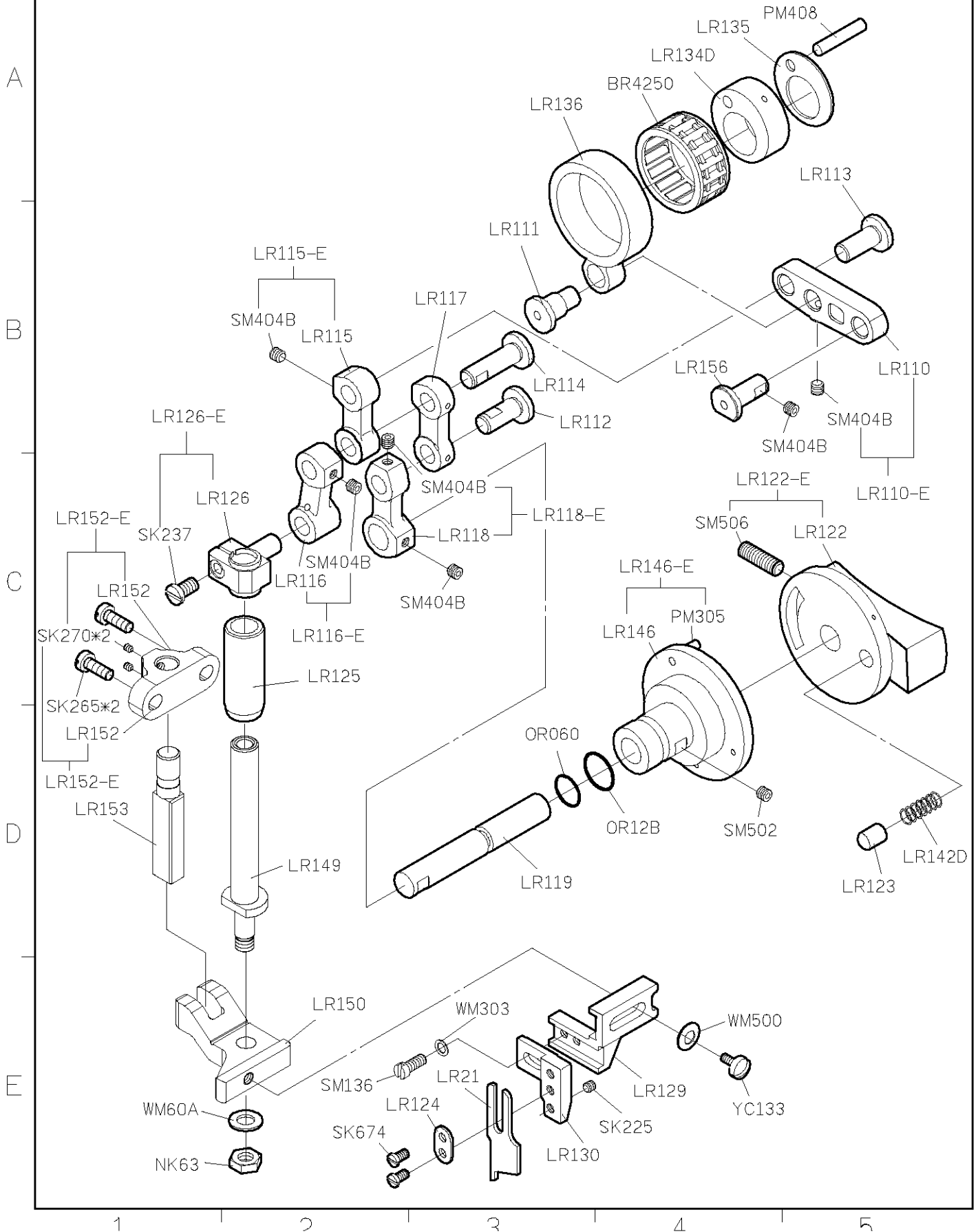
LM20-A



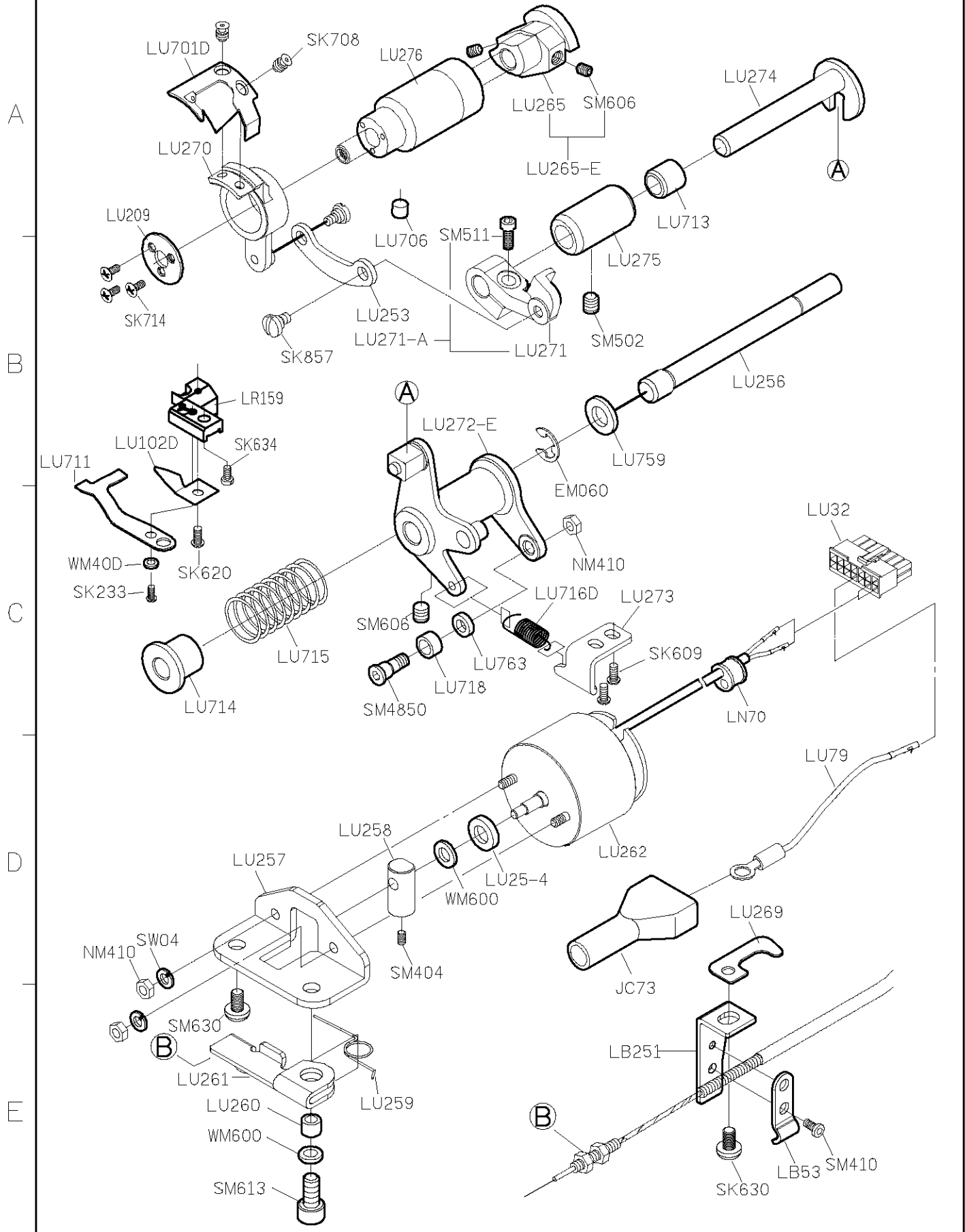
LM24-E



1 2 3 4 5

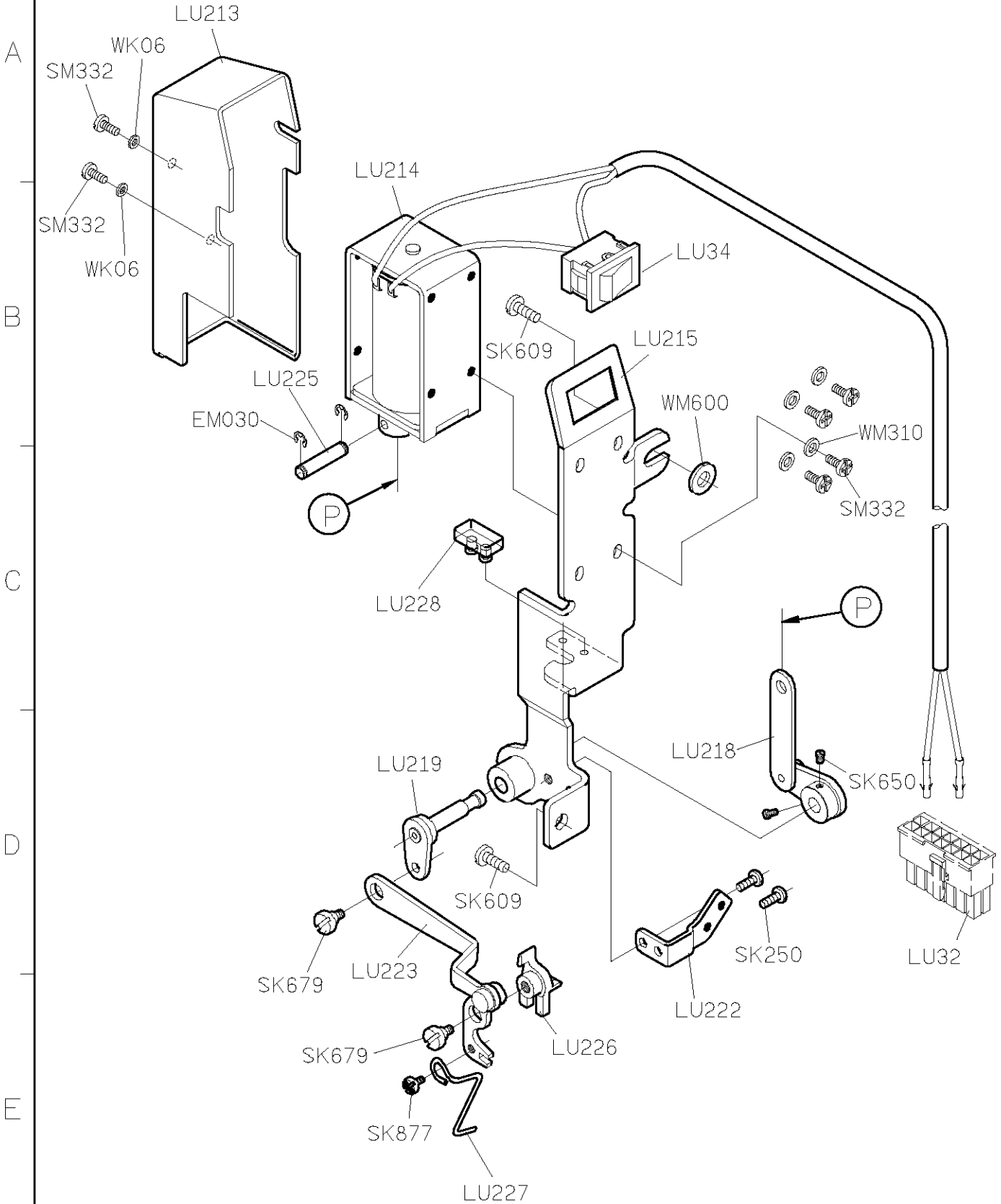


SIRUBA PARTS LIST	Series	Parts Group	Subclass / Remark	Page
	L918/U-RM1	LU		1/6
				Date
				2012/11/01

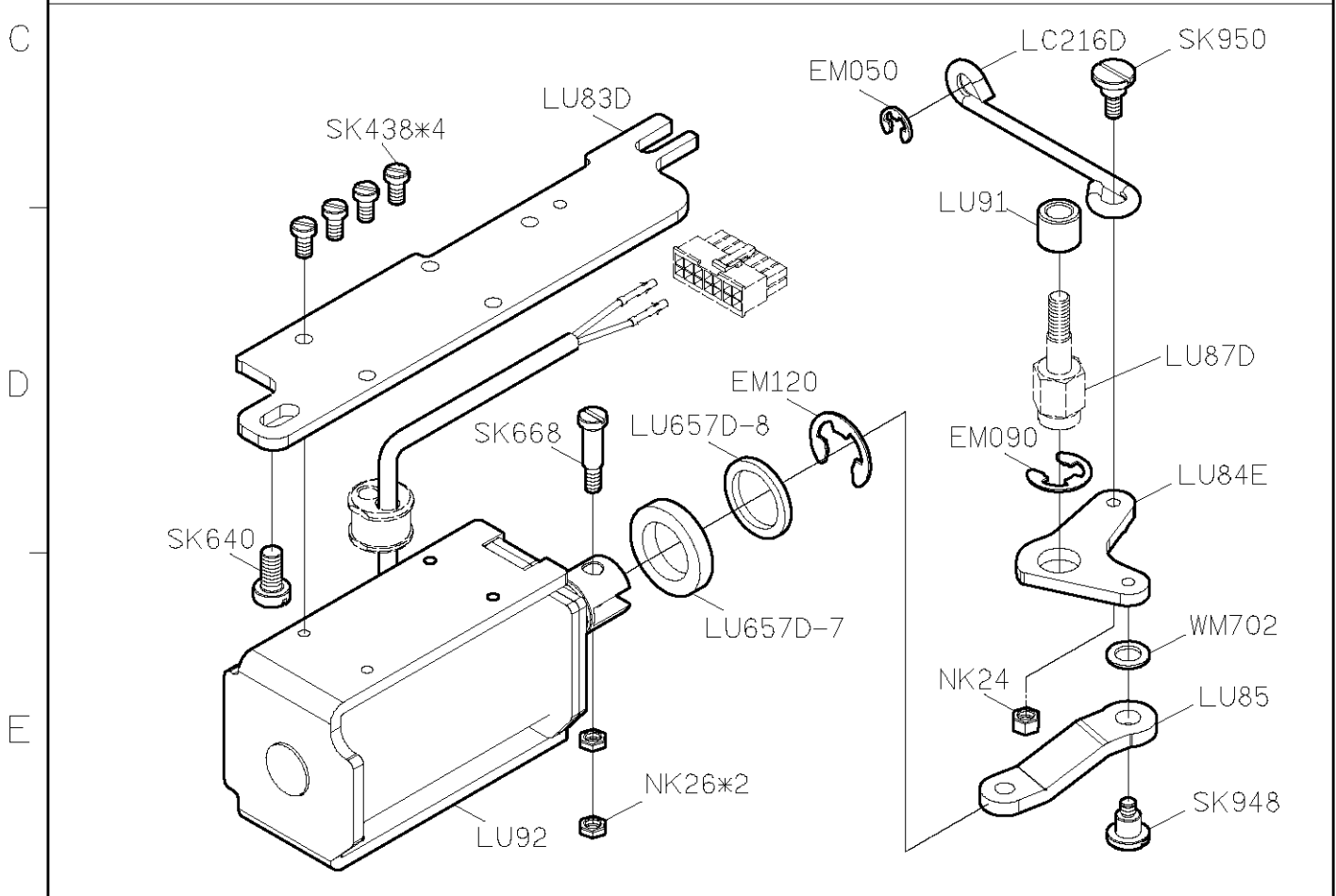
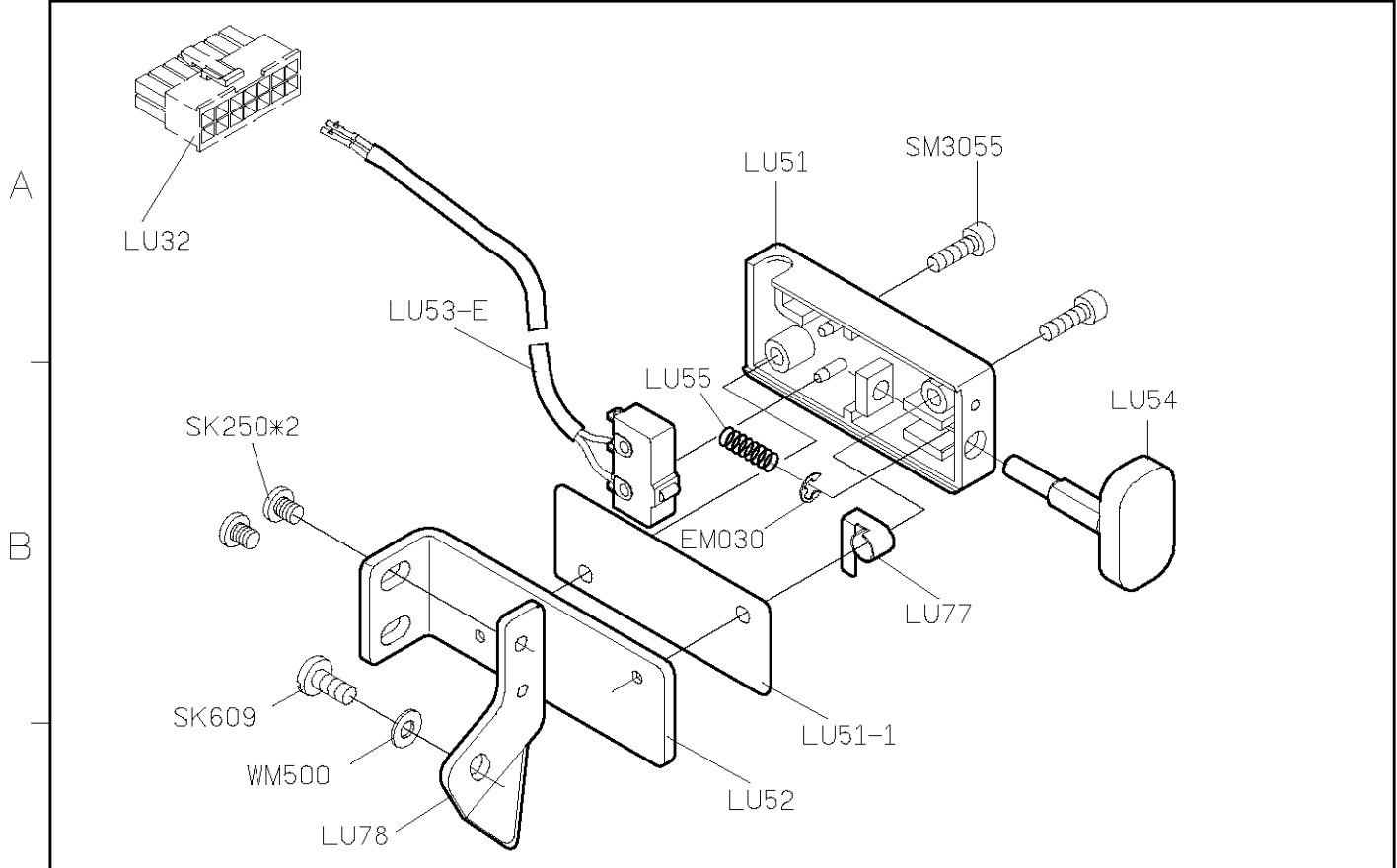


SIRUBA PARTS LIST	Series	Parts Group	Subclass / Remark	Page
	L918U-RM1	LU		2/6
				Date
				2012/11/01

LU215-A



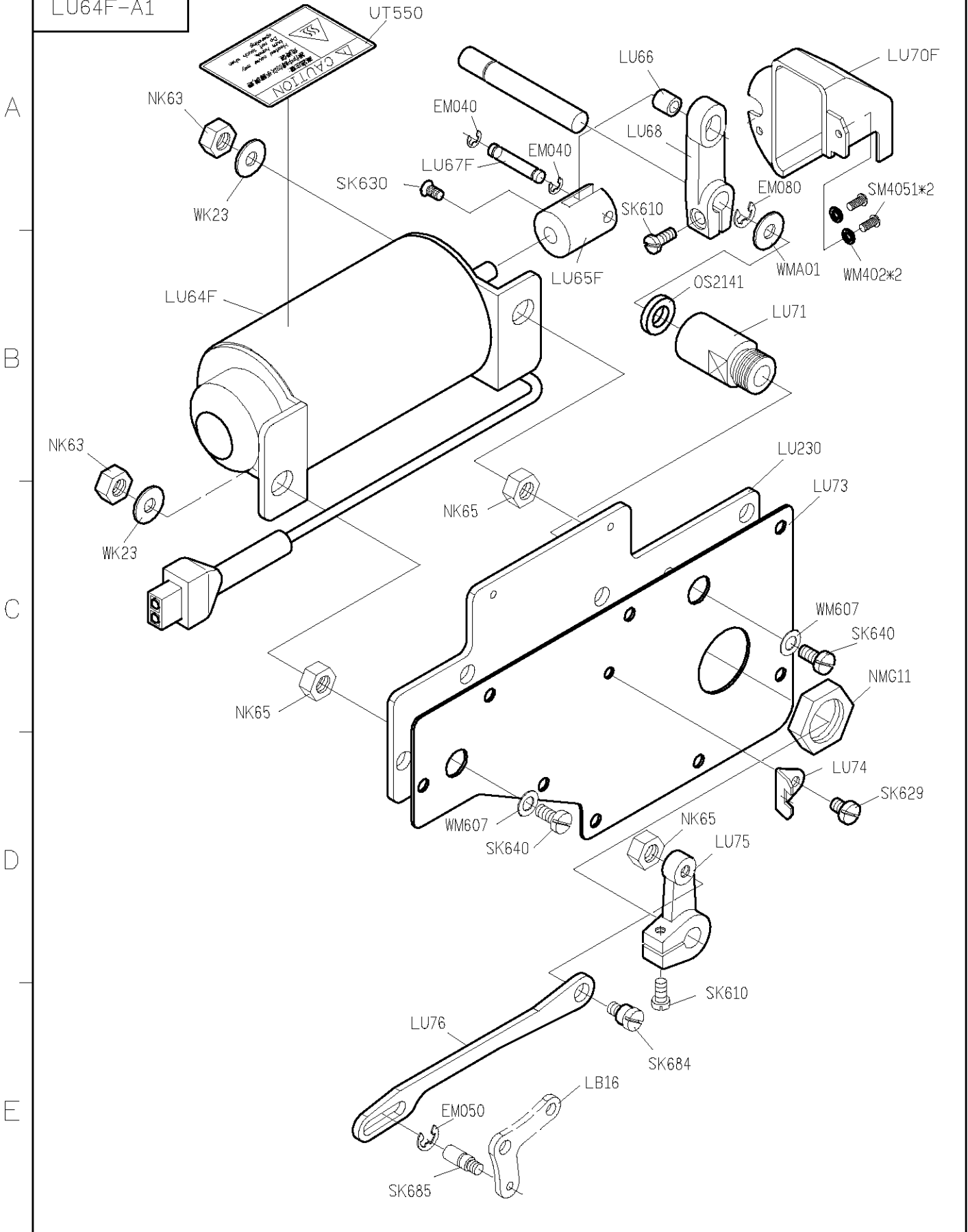
SIRUBA PARTS LIST	Series	Parts Group	Subclass / Remark	Page
	L918U-RM1	LU		3/6
				Date
				2015/2/5



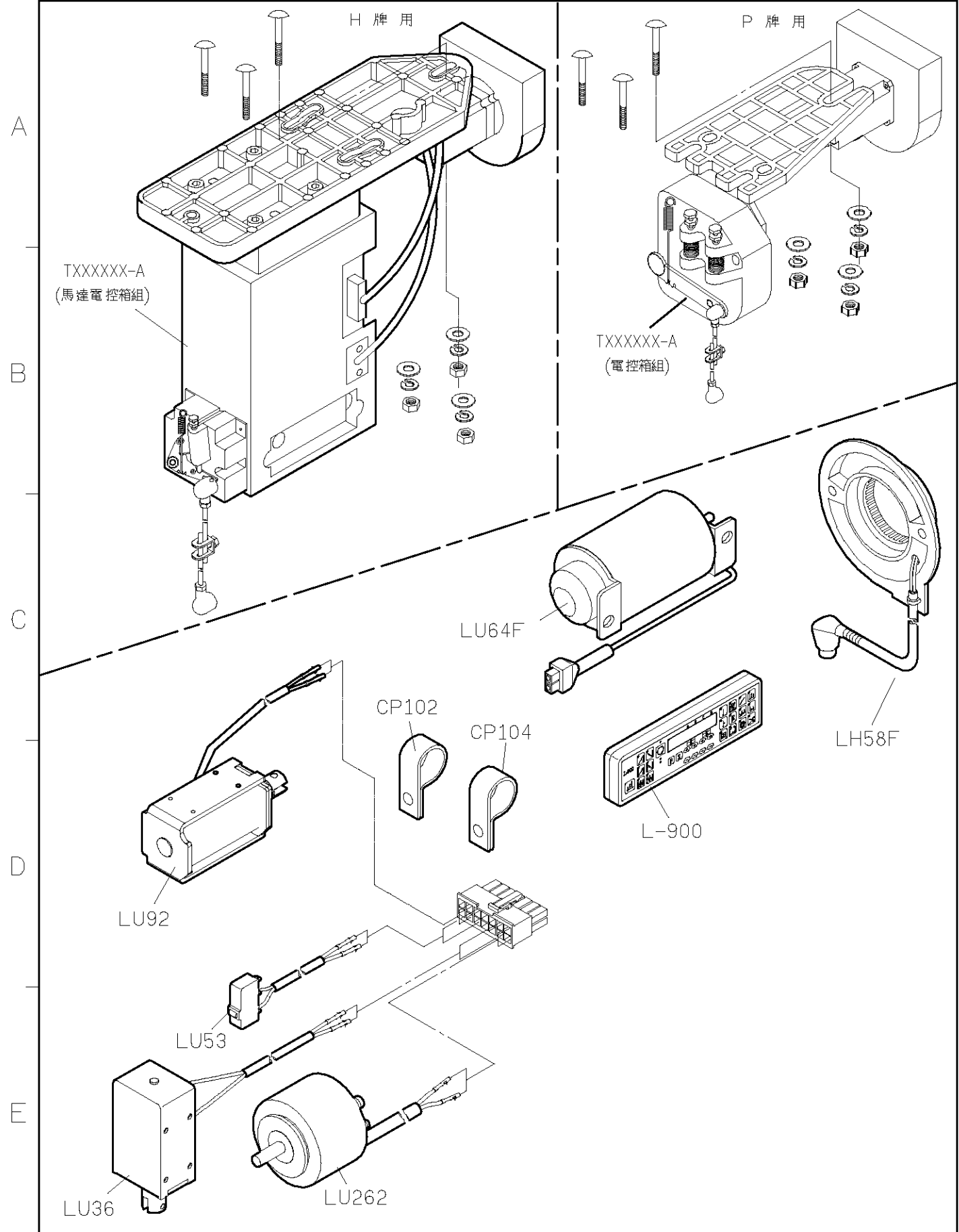
1 2 3 4 5

SIRUBA PARTS LIST	Series	Parts Group	Subclass / Remark	Page
	L918U-RM1	LU		4/6
				Date
				2012/11/01

LU64F-A1

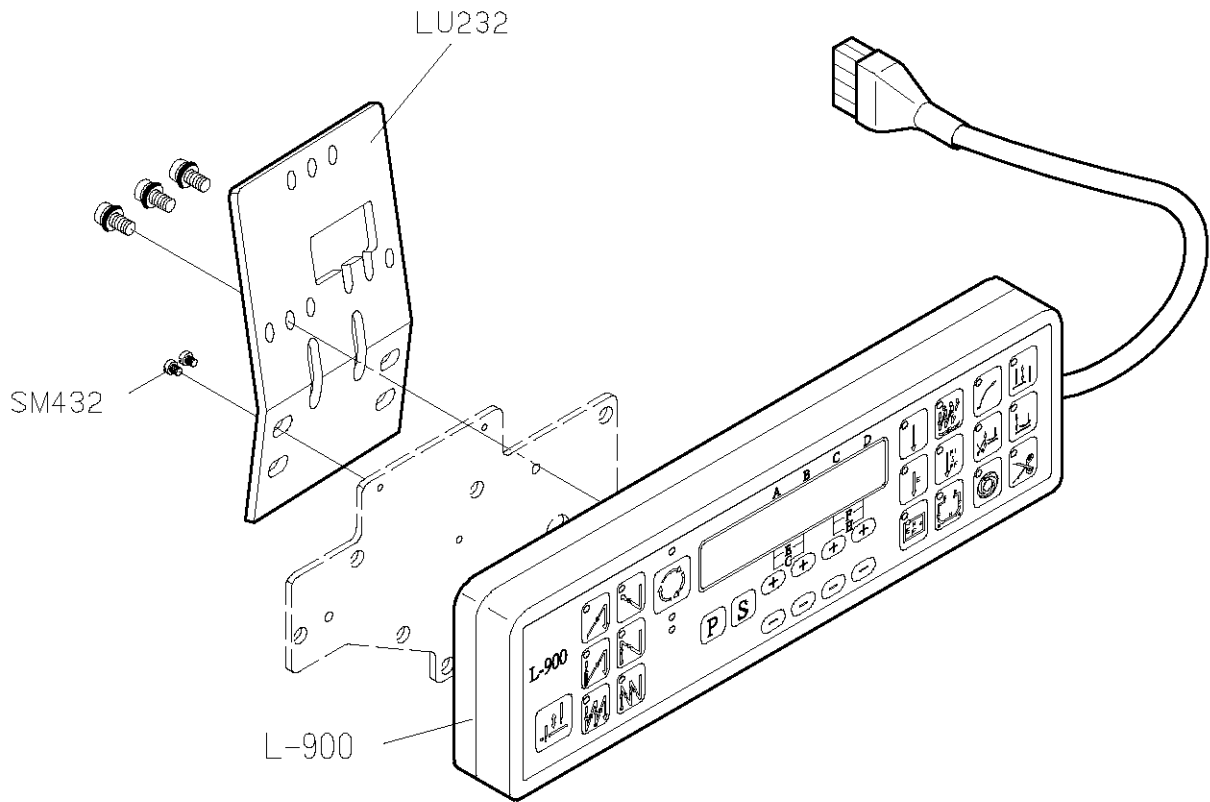


SIRUBA PARTS LIST	Series	Parts Group	Subclass / Remark	Page
	L918U-RM1	LU		5/6
				Date
				2012/11/01



SIRUBA PARTS LIST	Series	Parts Group	Subclass / Remark	Page
	L918U-RM1	LU		6/6
				Date
				2012/11/01

A
B
C
D
E



代碼 NO.	操作面板 Control Panel	代碼 NO.	自動切線 Auto THREAD Trimmer	快速倒縫 Reverse Feeding	撥線桿 Wiper	自動抬押具 Auto Lifer
1	L-900	0	√	√	-	-
		1	√	√	√	-
		2	√	√	-	√
		3	√	√	√	√

SIRUBA

PARTS LIST

Series

L918U-RM1

Parts Group

LW

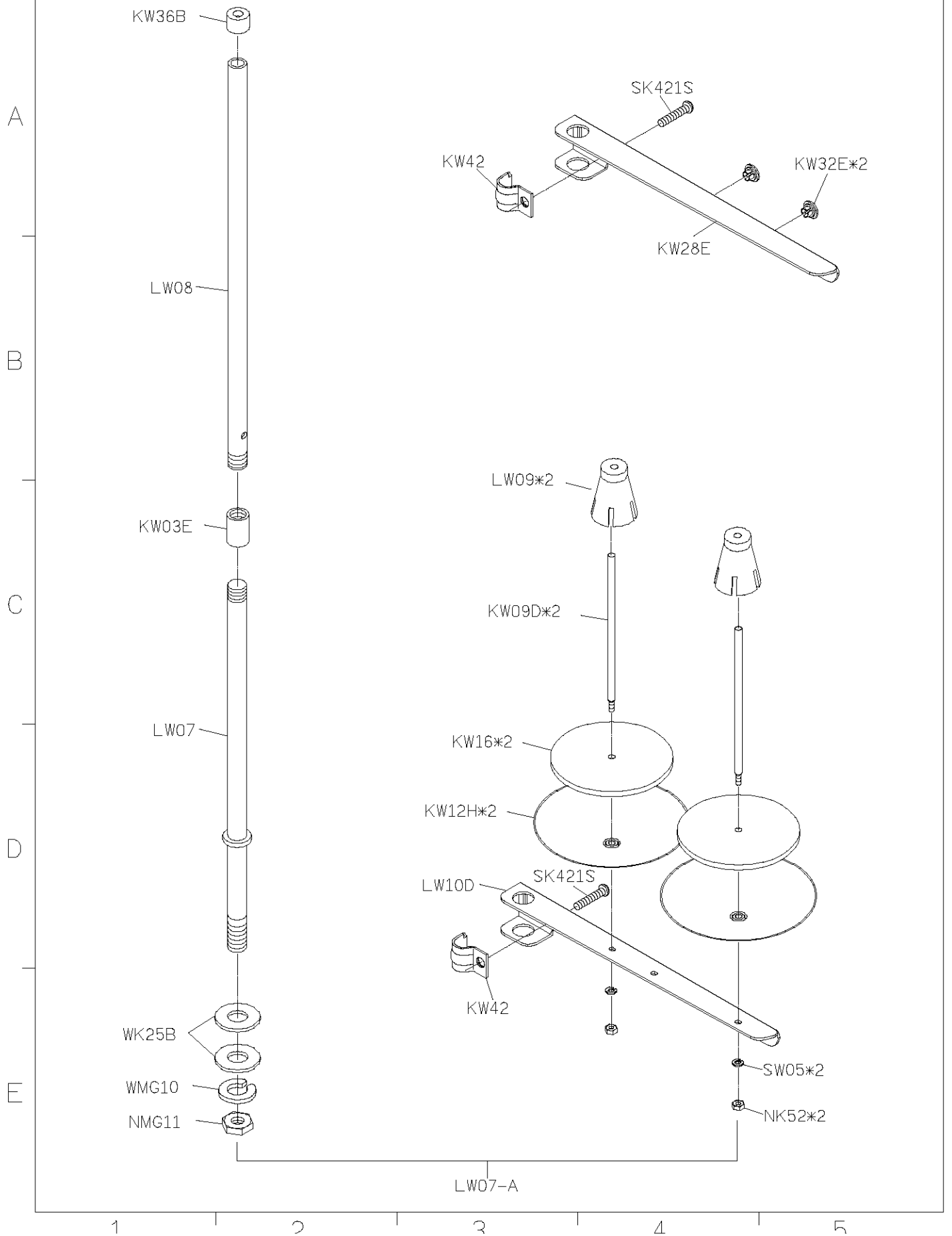
Subclass / Remark

Page


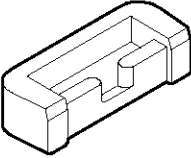
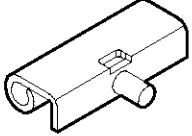

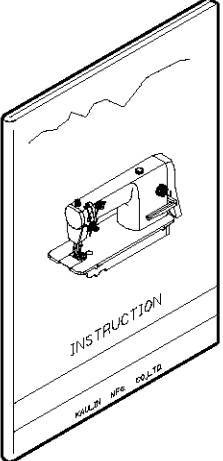
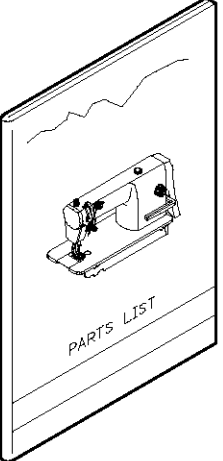
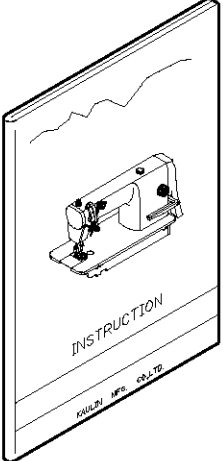
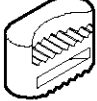



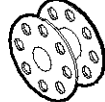

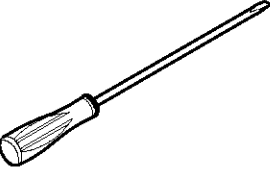
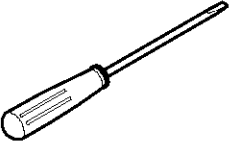
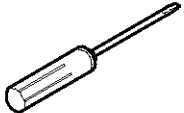

1/1

Date

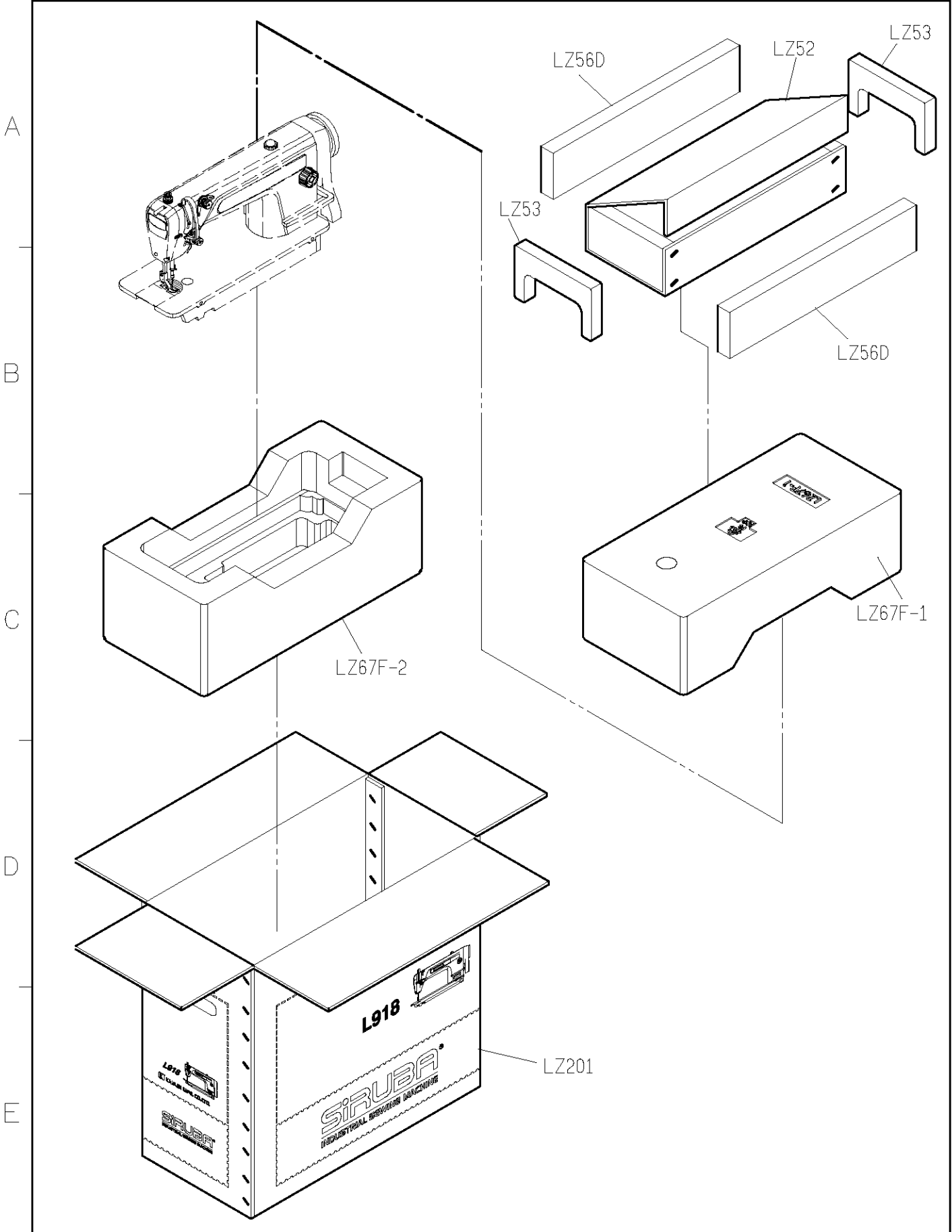
2013/04/10



SIRUBA PARTS LIST	Series	Parts Group	Subclass / Remark	Page
	L918U-RM1	LY		1/1
				Date
				2012/11/01

	LY02	YM04*2	LY05*2	YM102*2
A				
	LY219	LY224	LY200	YM103*2
B				
				LY38
C				
	針*2	KY201	G3XX	KZ03*1
D				
	LY33	LY34	LY35	LY37-A
E				
	1	2	3	4
				5

SIRUBA PARTS LIST	Series	Parts Group	Subclass / Remark	Page
	L918U-RM1	LZ		1/1
				Date 2012/12/22



1 2 3 4 5

SIRUBA TABLE CUT - OUT	Series	Item Code	Subclass / Remark	Mounting
	L818D/L917 L918/L918U L819/L819U	L918-T1		Fully-submerged
				Date
				2013/01/01

