

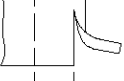
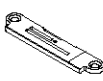
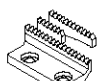










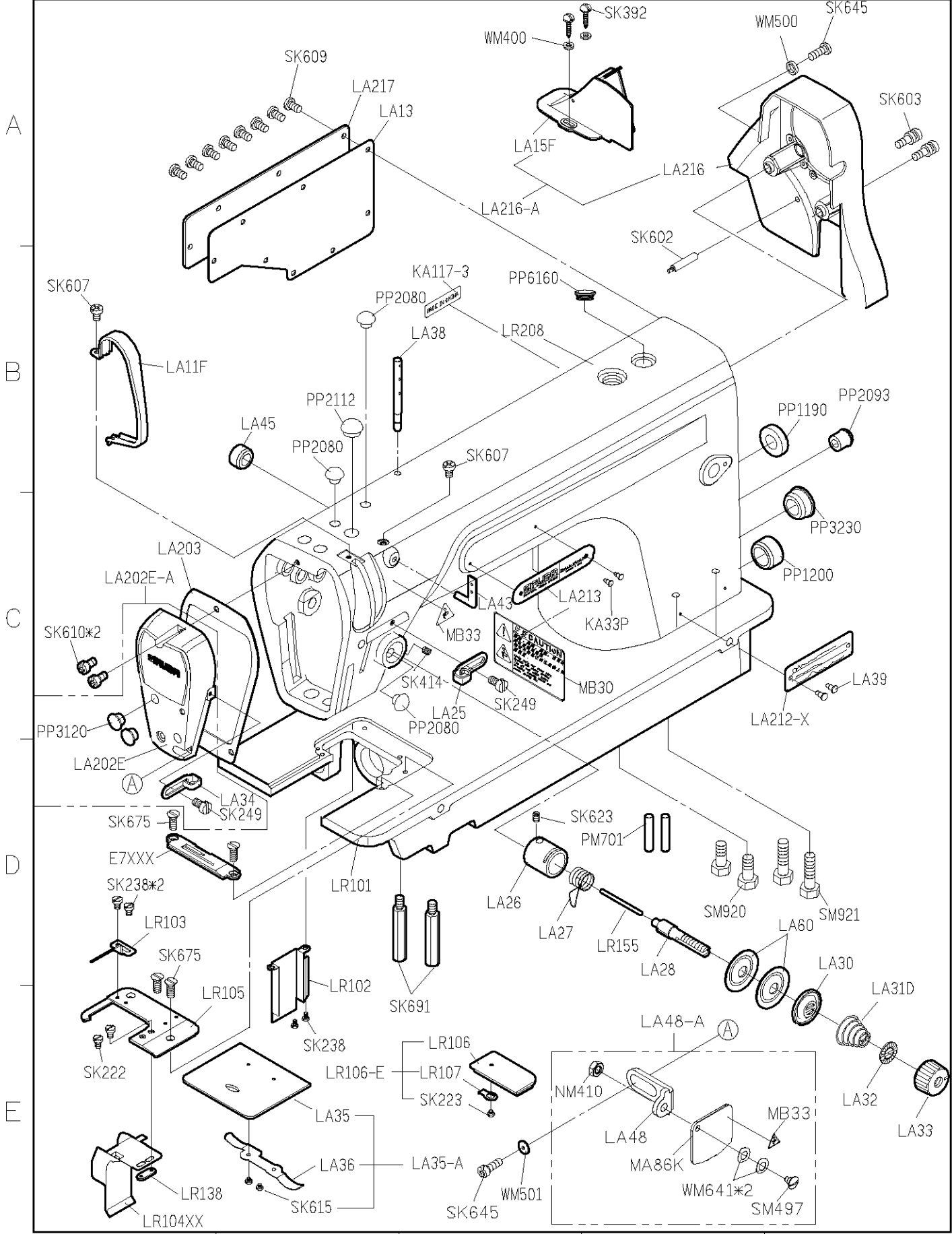
SIRUBA GAGE PARTS LIST	Series	Remark	Page	Date
	L918	RM1	1 / 1	2012/11/01

L918-RM1規格件表 / CONVERSION CHART

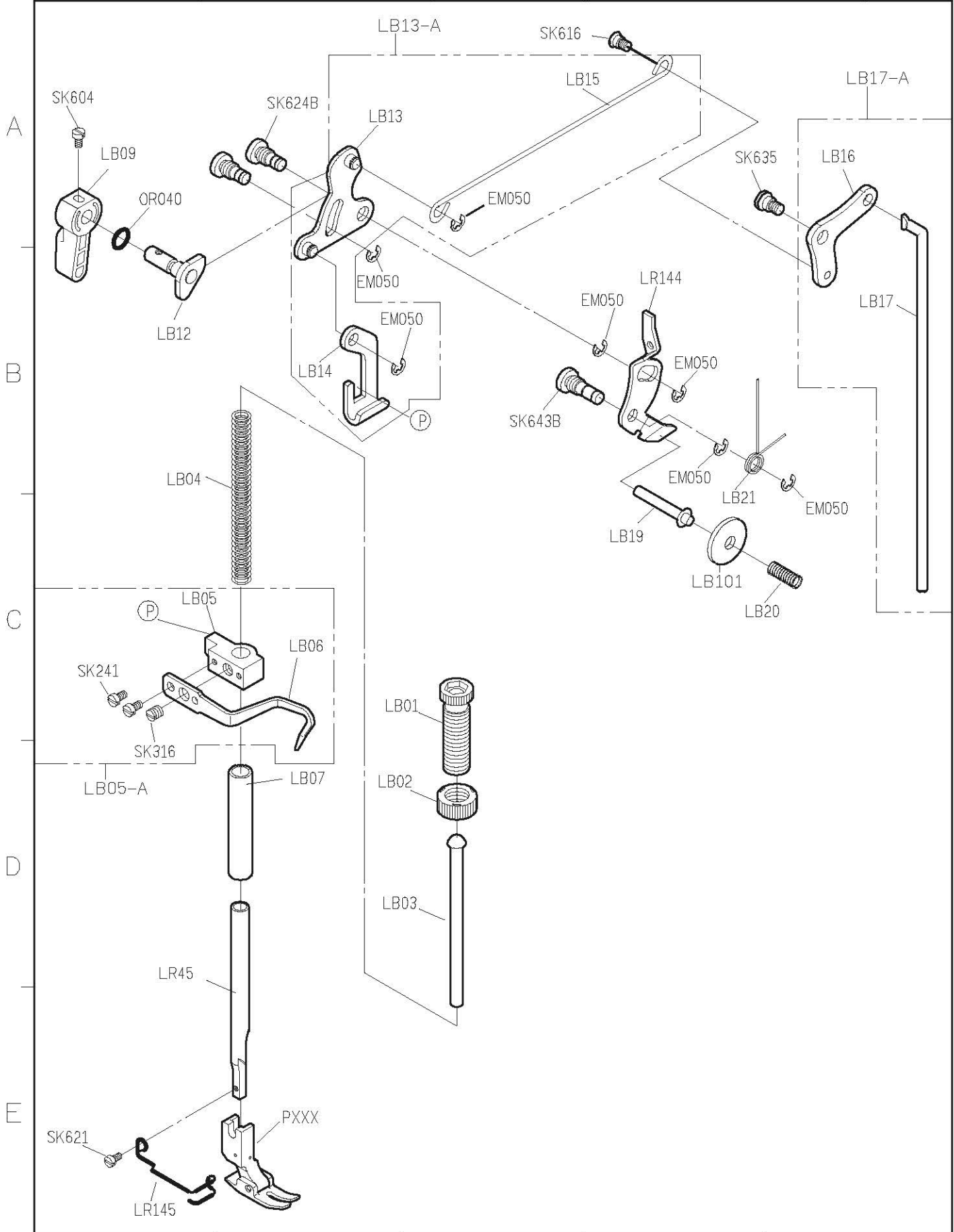
												
MODEL	SUB-CLASS	GAUGE WIDTH	NEEDLE PLATE	FEED DOG	PRESSER FOOT	HOOK ASM	BOBBIN CASE ASM	BOBBIN	THROAT PLATE CHIP GUARD	NEEDLE	THREAD GUIDE	THROAT PLATE COVER
機 型	規 格	切 邊 距 離	針 板	送 具	押 具	梭 頭	梭 殼	梭 子	下 導 布 架	針 號	導 線 片	布 板 蓋
L918-RM1-32	32	1/8" (3.2mm)	E705Q	D705	P705	G111	G201	G301	LR104DS	DBX1#14	LR141S	(LR106-E)
L918-RM1-40	40	5/32" (4.0mm)	E705R (E705Q)	D705	P705	G111	G201	G301	LR104DS	DBX1#14	LR141S	(LR106-E)
L918-RM1-48	48	3/16" (4.8mm)	E705 (E705Q)	D705	P705	G111	G201	G301	LR104DS	DBX1#14	LR141S	(LR106-E)
L918-RM1-64	64	1/4" (6.4mm)	E705S (E705Q)	D702 (D705)	P701 (P705)	G111	G201	G301	LR104D (LR104DS)	DBX1#14	LR141S	(LR106-E) (LR106S)
L918-RM1-95	95	3/8" (9.5mm)	E705T (E705Q)	D702 (D705)	P701 (P705)	G111	G201	G301	LR104D (LR104DS)	DBX1#14	LR141S	(LR106-E) (LR106T)

() 之規格件放於夾鏈袋裝于成車箱內, BOM表編與40站.

SIRUBA PARTS LIST	Series	Parts Group	Subclass / Remark	Page
	L918-RM1	LA		1/1
				Date
				2015/05/05

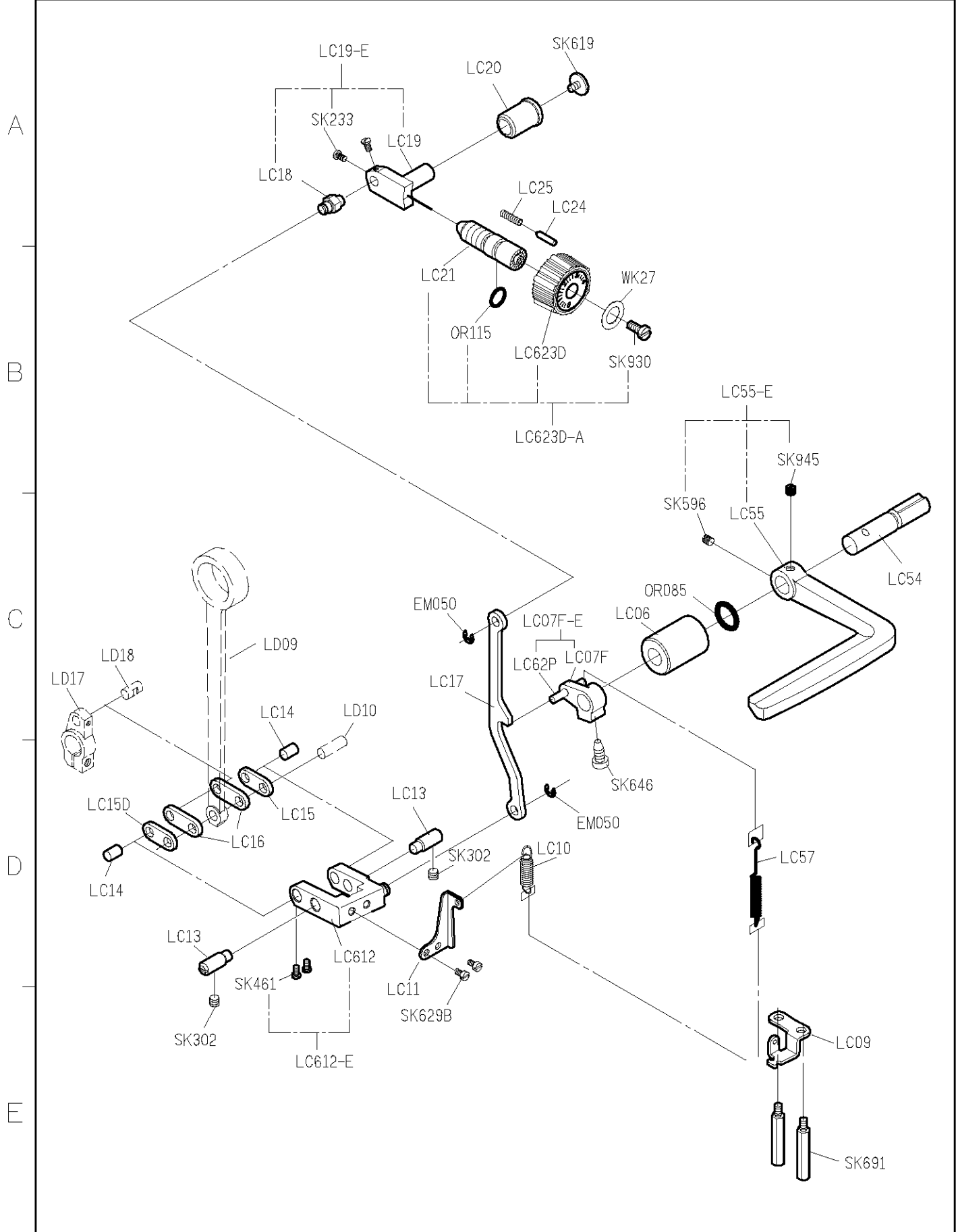


SIRUBA PARTS LIST	Series	Parts Group	Subclass / Remark	Page
	L918-RM1	LB		1/1
				Date
				2012/11/01

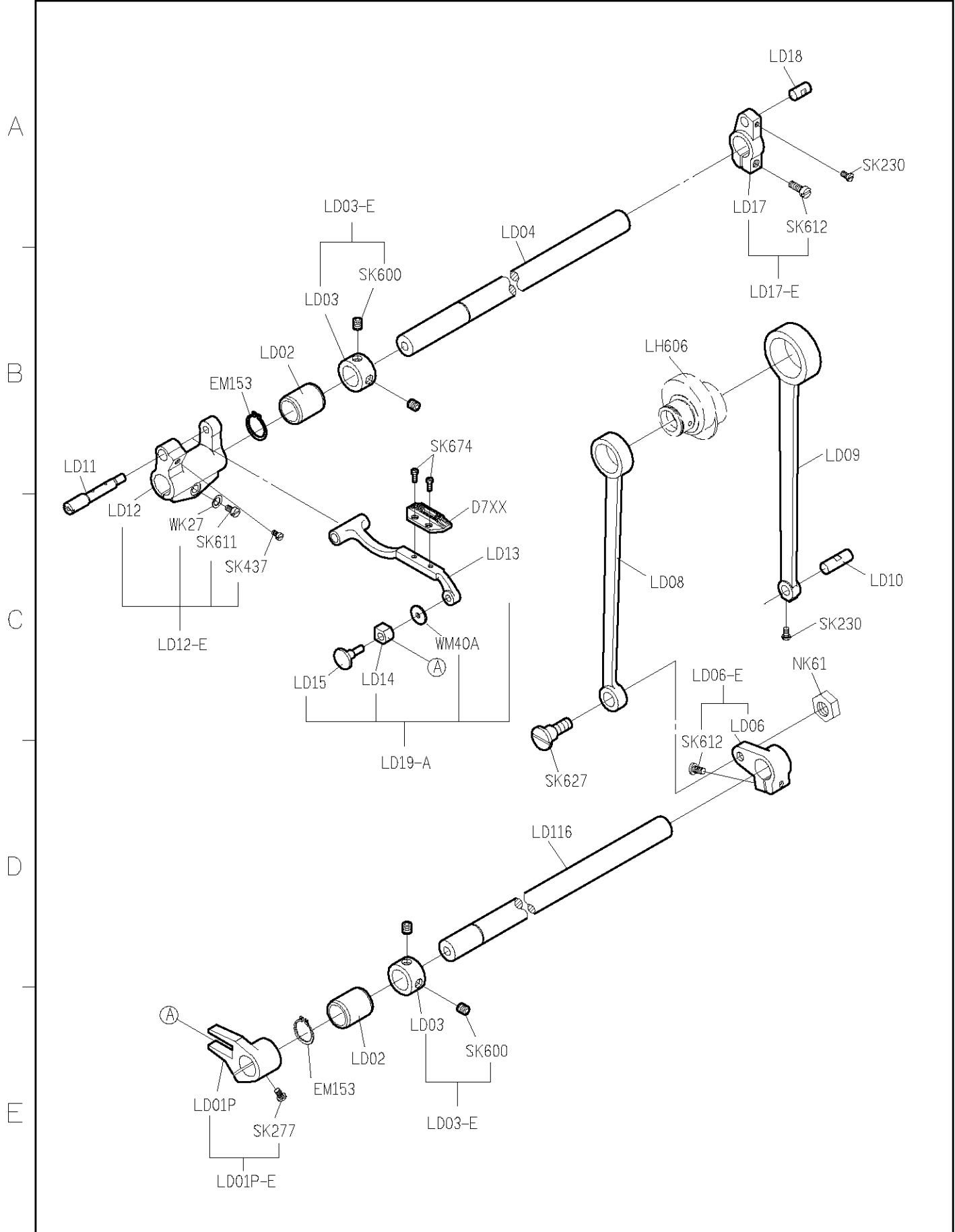


1 2 3 4 5

SIRUBA PARTS LIST	Series	Parts Group	Subclass / Remark	Page
	L918-RM1	LC		1/1
				Date
				2015/2/5



SIRUBA PARTS LIST	Series	Parts Group	Subclass / Remark	Page
	L918-RM1	LD		1/1
				Date
				2012/11/01



1 2 3 4 5

SIRUBA

PARTS LIST

Series

L918-RM1

Parts Group

LE

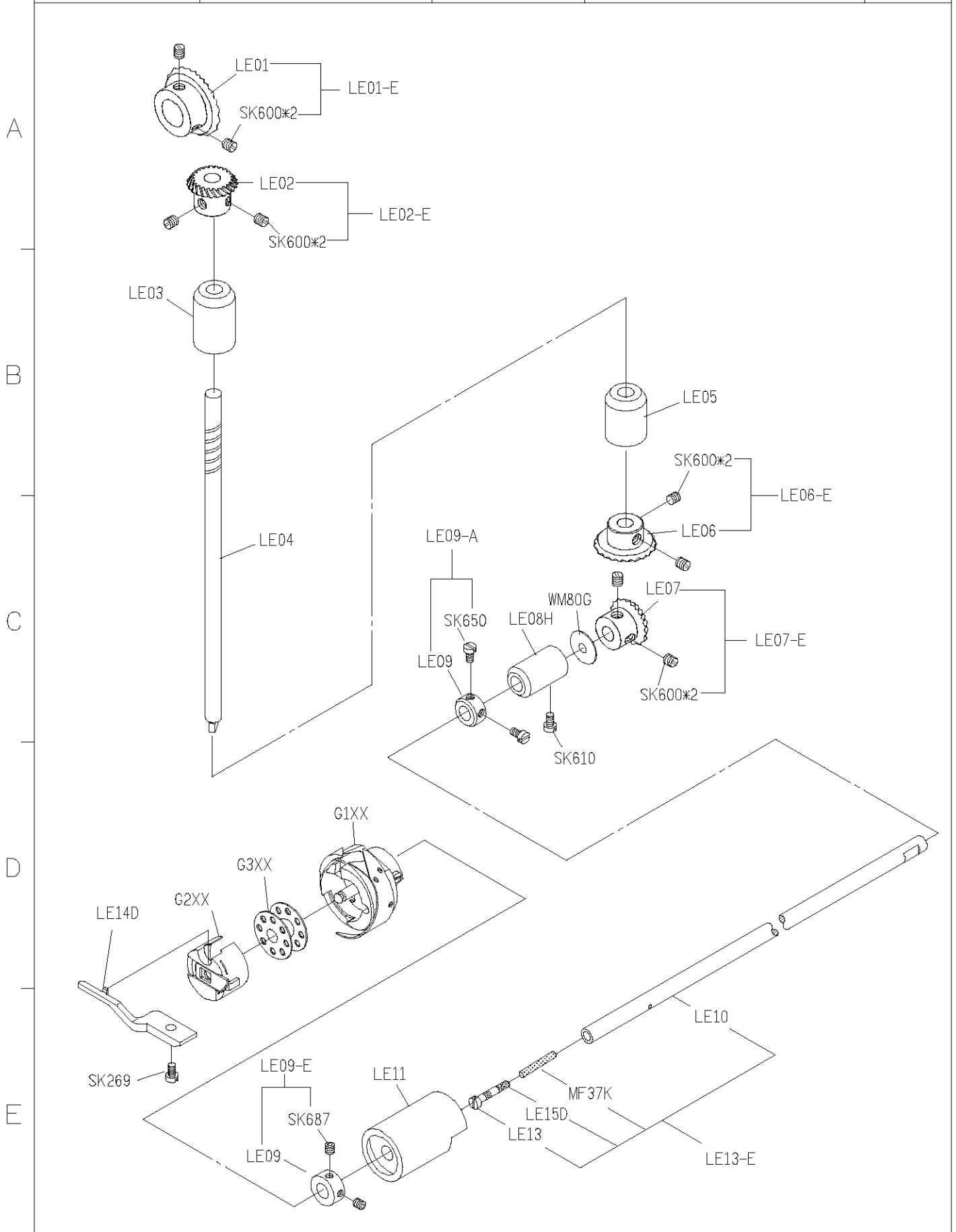
Subclass / Remark

Page

1/1

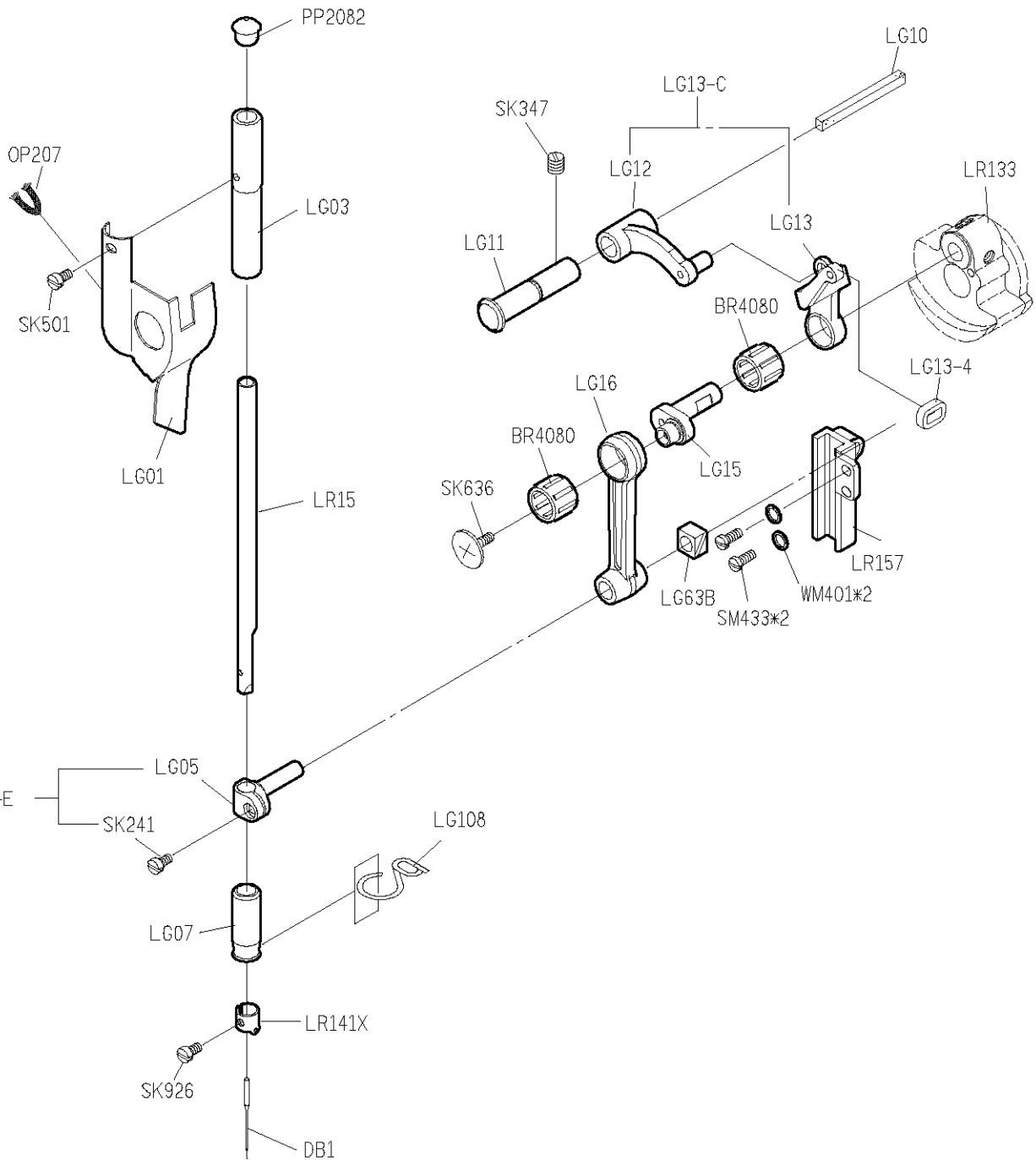
Date

2015/07/28

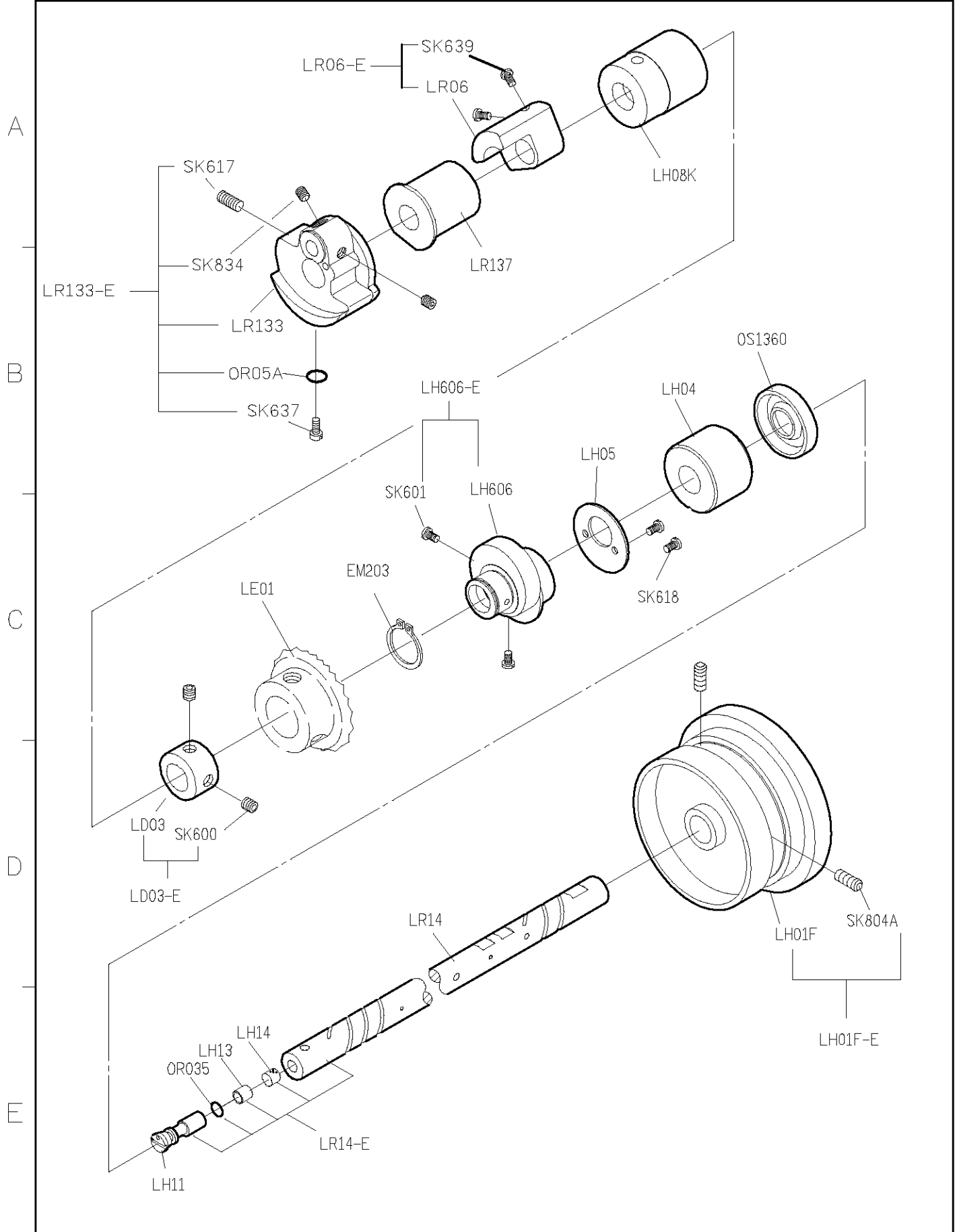


SIRUBA PARTS LIST	Series	Parts Group	Subclass / Remark	Page
	L918-RM1	LG		1/1
				Date
				2012/11/01

A
B
C
D
E



SIRUBA PARTS LIST	Series	Parts Group	Subclass / Remark	Page
	L918-RM1	LH		1/1
				Date
				2012/11/01



SIRUBA

PARTS LIST

Series

L918-RM1

Parts Group

LL

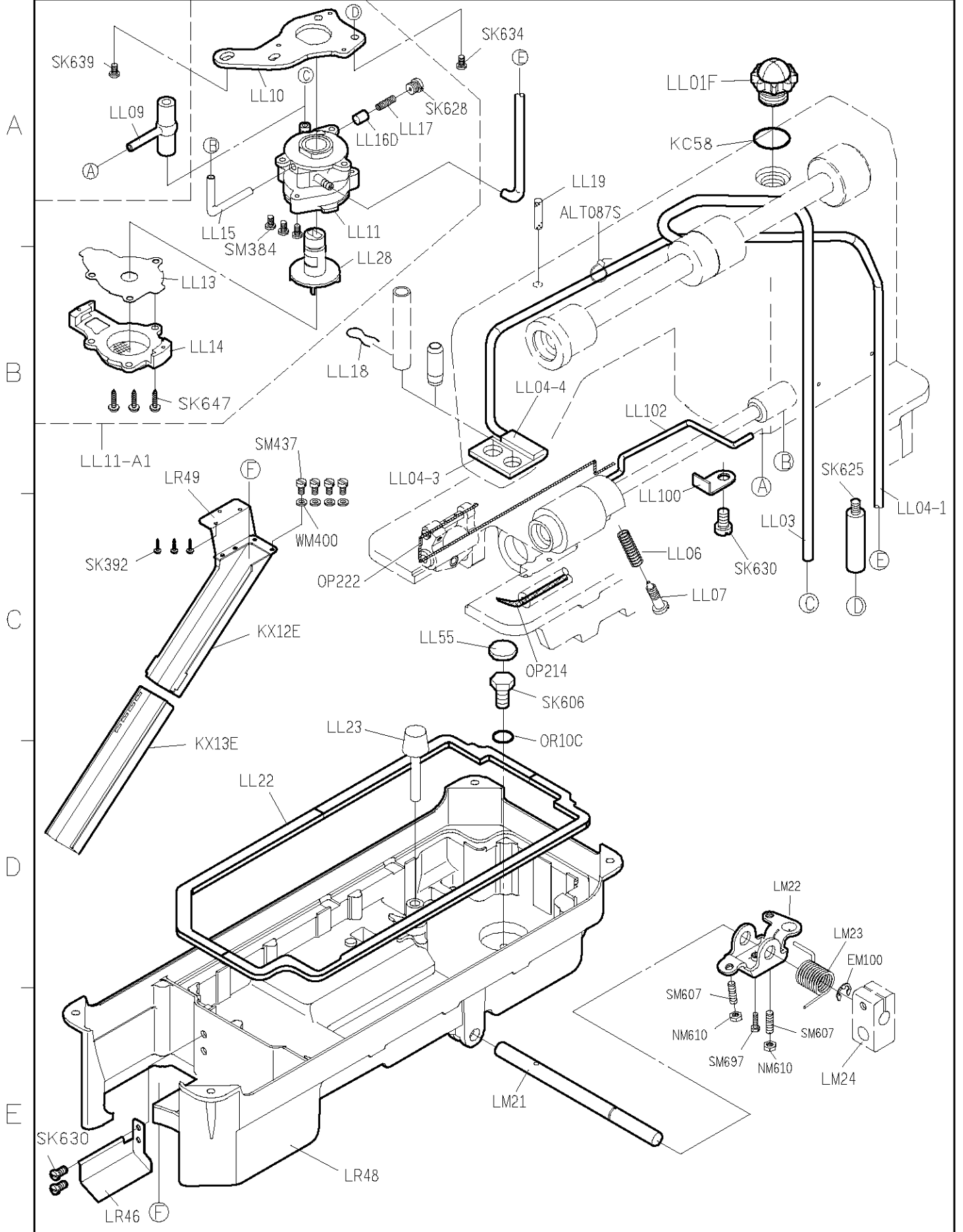
Subclass / Remark

Page

1/1

Date

2015/03/24

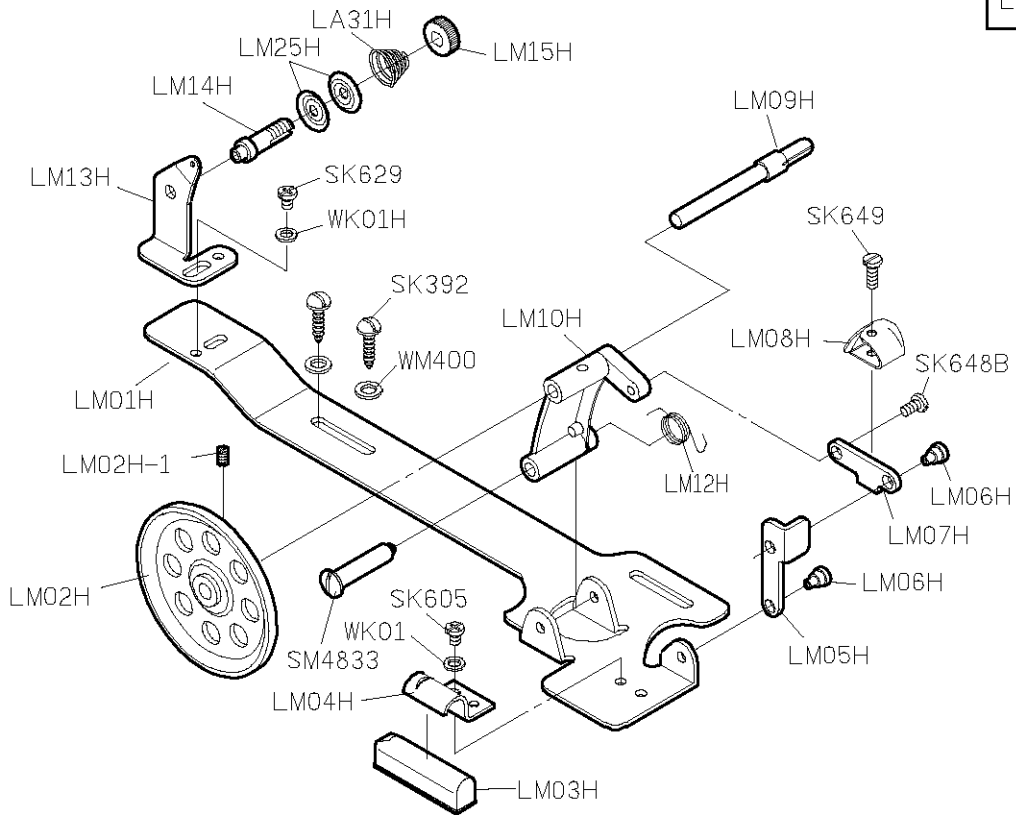


SIRUBA PARTS LIST	Series	Parts Group	Subclass / Remark	Page
	L918-RM1	LM		1/1
				Date
				2012/11/01

LM01H-A

A

B



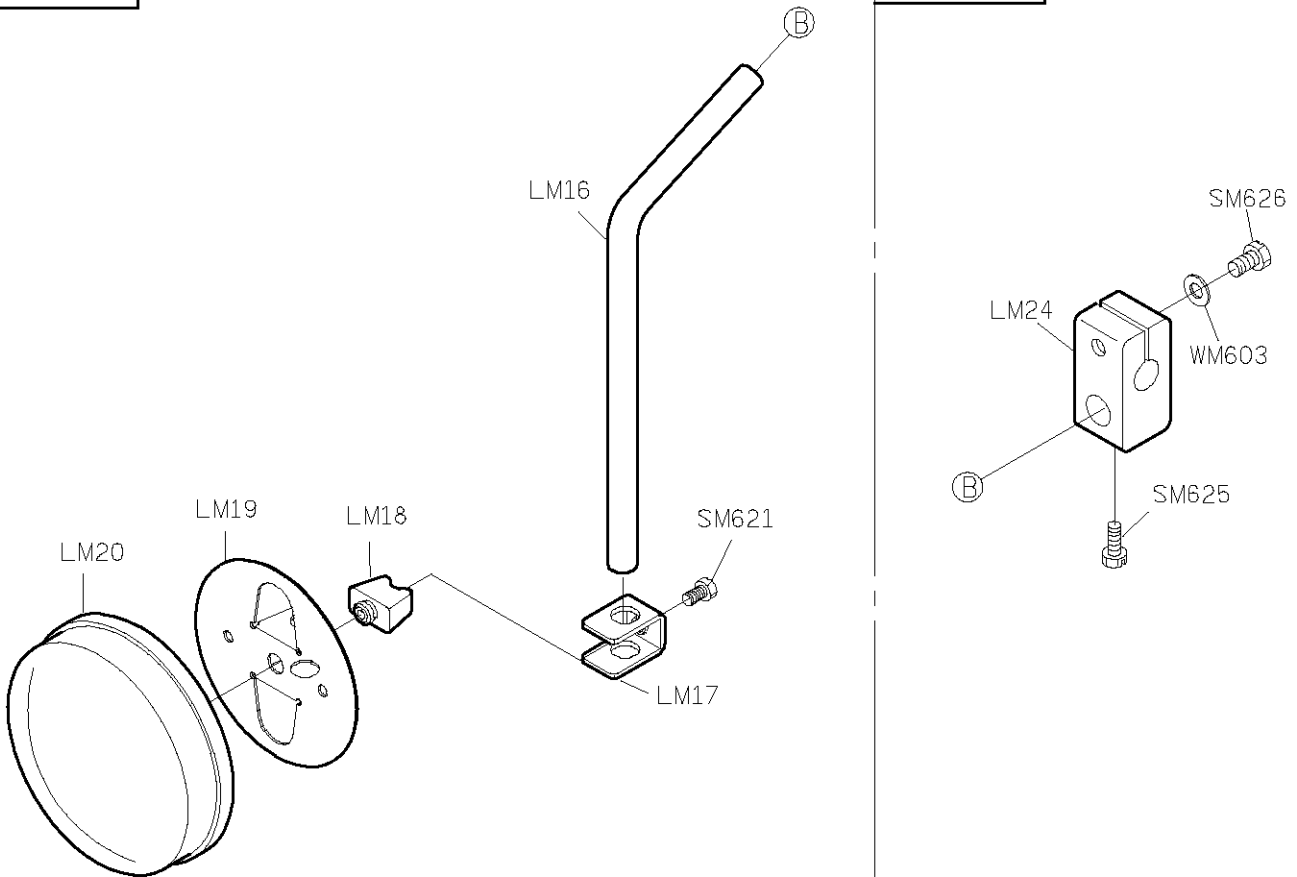
C

D

E

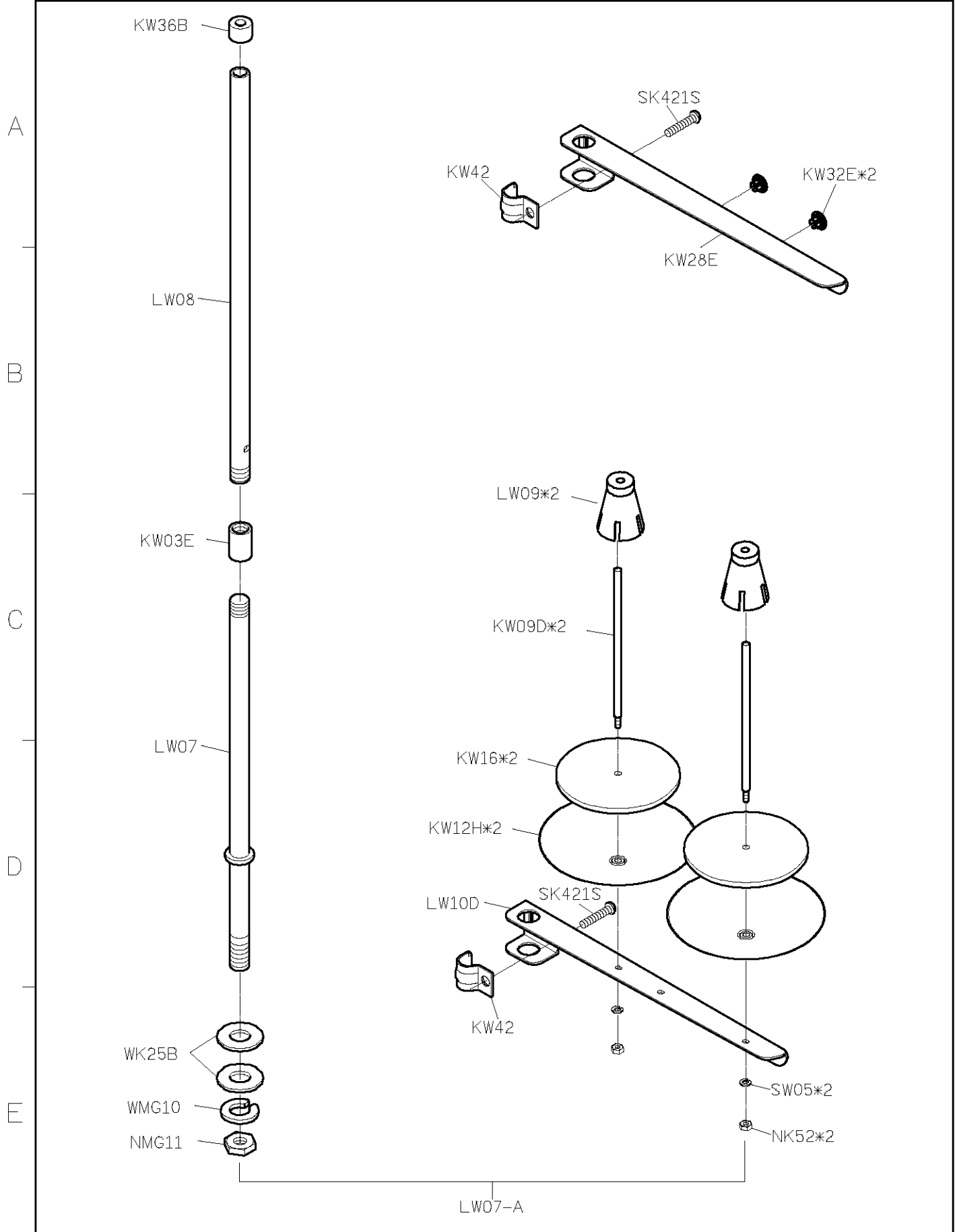
LM20-A

LM24-E

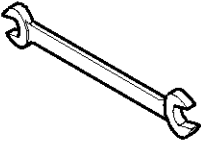

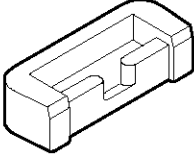
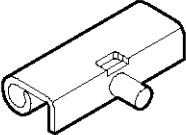

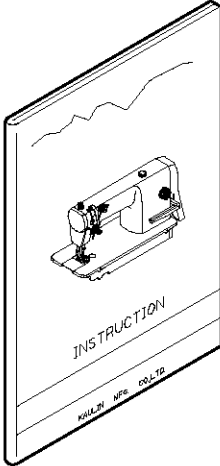
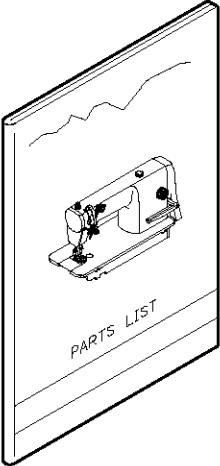
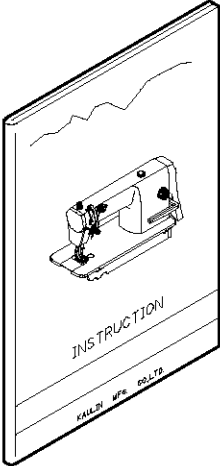
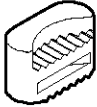






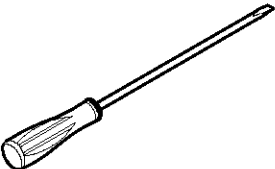
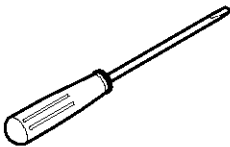
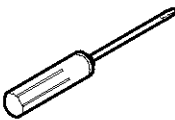



1 2 3 4 5

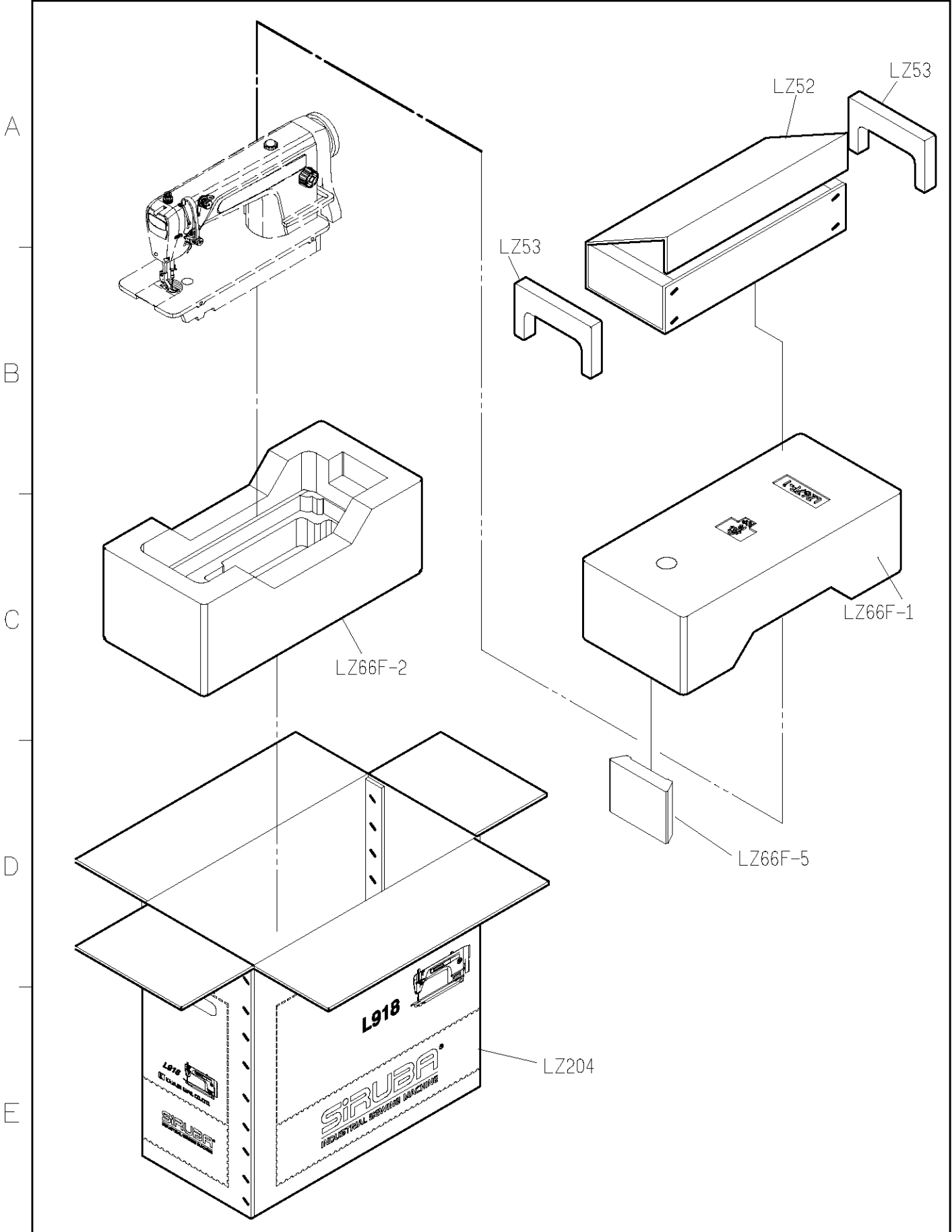
SIRUBA PARTS LIST	Series	Parts Group	Subclass / Remark	Page
	L918-RM1	LW		1/1
				Date
				2013/04/10



SIRUBA PARTS LIST	Series	Parts Group	Subclass / Remark	Page
	L918-RM1	LY		1/1
				Date
				2012/11/01

	LY01	LY02	YM04*2	LY05*2	YM102*2
A					
	LY219	LY225	LY200	YM103*2	
B					
				LY38	
C					
	針*2	KY201	G3XX	KZ03*1	LY37-A
D					
	LY33	LY34	LY35	ALT104S*2	
E					
	1	2	3	4	5

SIRUBA PARTS LIST	Series	Parts Group	Subclass / Remark	Page
	L918-RM1	LZ		1/1
				Date
				2012/11/01



1 2 3 4 5

SIRUBA TABLE CUT - OUT	Series	Item Code	Subclass / Remark	Mounting
	L818D/L917 L918/L918U L819/L819U	L918-T1		Fully-submerged
				Date
				2013/01/01

