

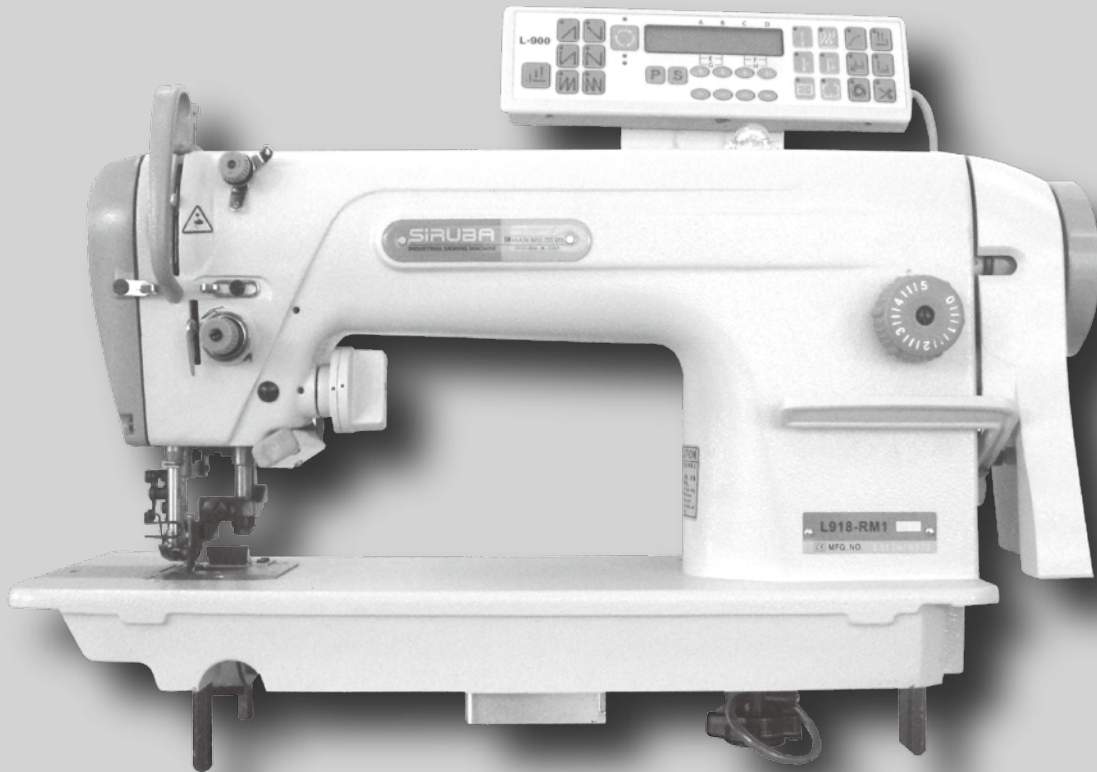
**SIRUBA®**

銀爺牌工業用縫紉機

INDUSTRIAL SEWING MACHINE

**L918-RM**

零件圖 PARTS LIST



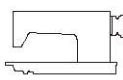

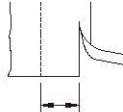

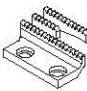




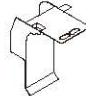



CE



高林股份有限公司  
KAULIN MFG. CO., LTD.

From the library of: Superior Sewing Machine & Supply LLC



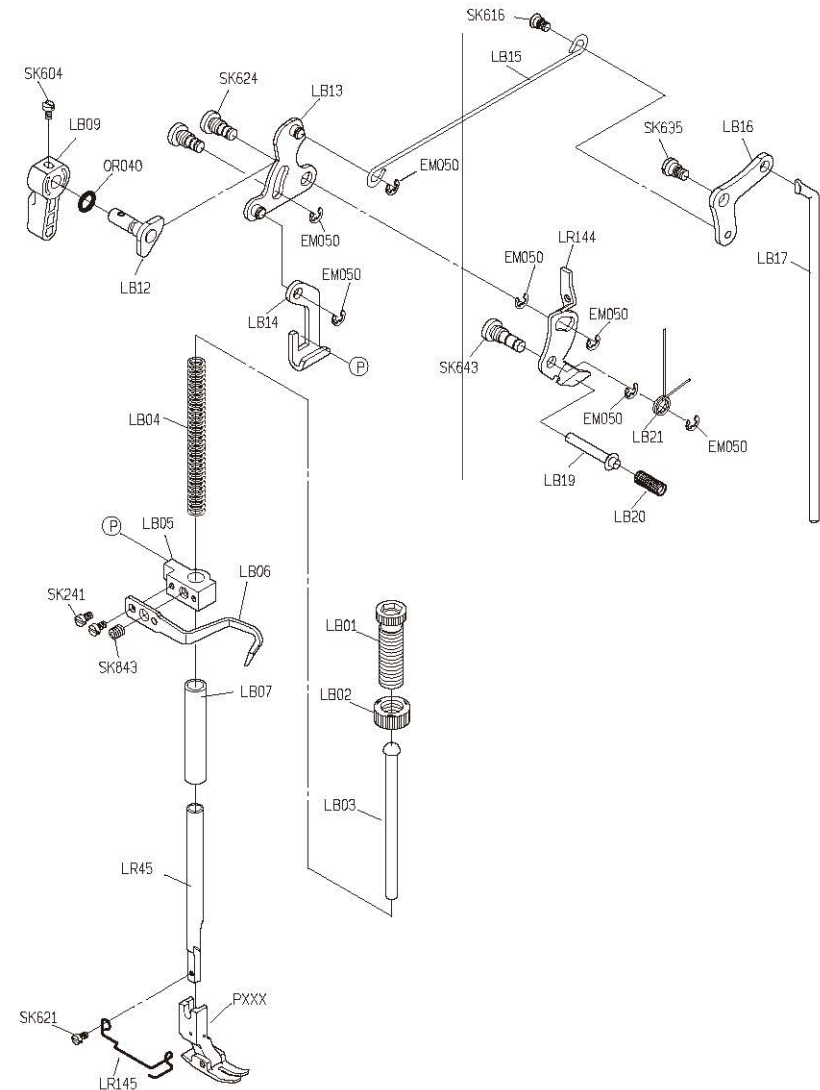
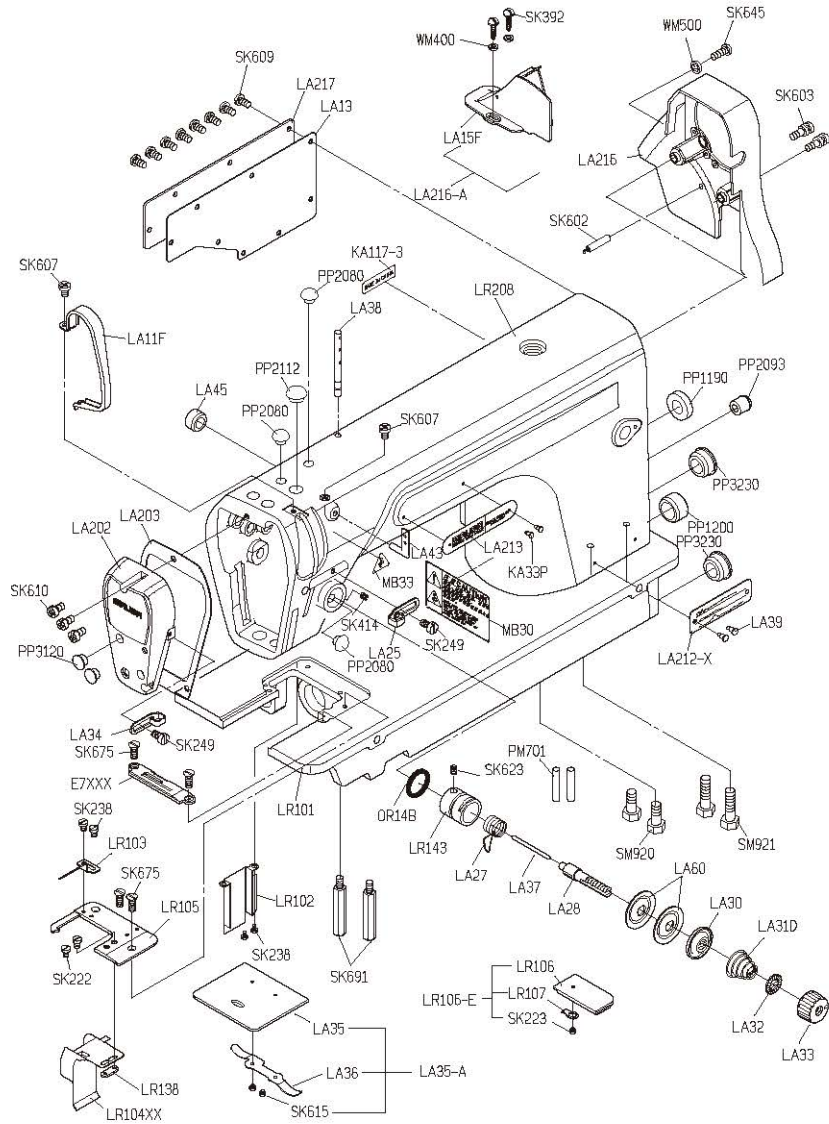
												
MODEL	SUB-CLASS	GAUGE WIDTH	NEEDLE PLATE	FEED DOG	PRESSER FOOT	HOOK ASM	BOBBIN CASE ASM	BOBBIN	THROAT PLATE CHIP GUARD	NEEDLE	THREAD GUIDE	THROAT PLATE COVER
機 型	規 格	切 邊 距 離	針 板	送 具	押 具	梭 頭	梭 殼	梭 子	下 導 布 架	針 號	導 線 片	布 板 蓋
L918-RM1-32	32	1/8" (3.2mm)	E705Q	D705	P705	G111	G201	G301	LR254D	DBX1#14	LR141S	LR106
L918-RM1-40	40	5/32" (4.0mm)	E705R (E705Q)	D705	P705	G111	G201	G301	LR254D	DBX1#14	LR141S	LR106
L918-RM1-48	48	3/16" (4.8mm)	E705 (E705Q)	D705	P705	G111	G201	G301	LR254D	DBX1#14	LR141S	LR106
L918-RM1-64	64	1/4" (6.4mm)	E705S (E705Q)	D702 (D705)	P701 (P705)	G111	G201	G301	LR254 (LR254D)	DBX1#14	LR141 (LR141S)	LR106S (LR106)
L918-RM1-95	95	3/8" (9.5mm)	E705T (E705Q)	D702 (D705)	P701 (P705)	G111	G201	G301	LR254 (LR254D)	DBX1#14	LR141 (LR141S)	LR106T (LR106)

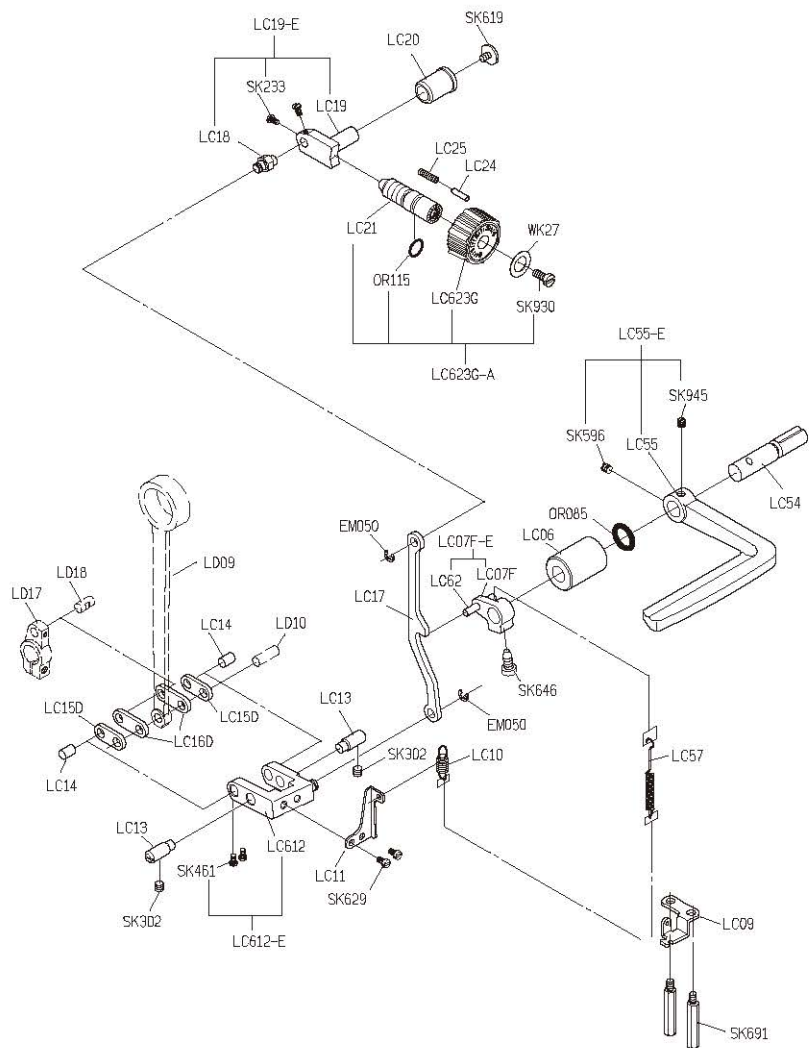
規格件表 **CONVERSION CHART**

From the library of: Superior Sewing Machine & Supply LLC

# PARTS LIST FOR LA GROUP

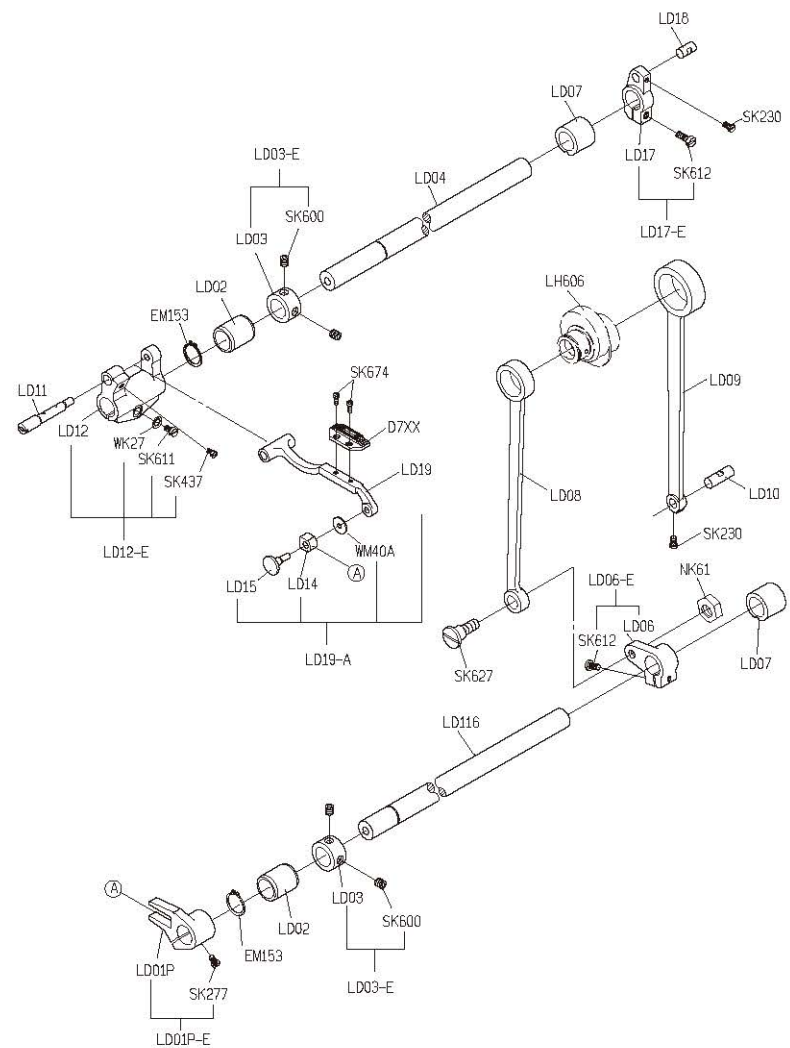
# PARTS LIST FOR LB GROUP





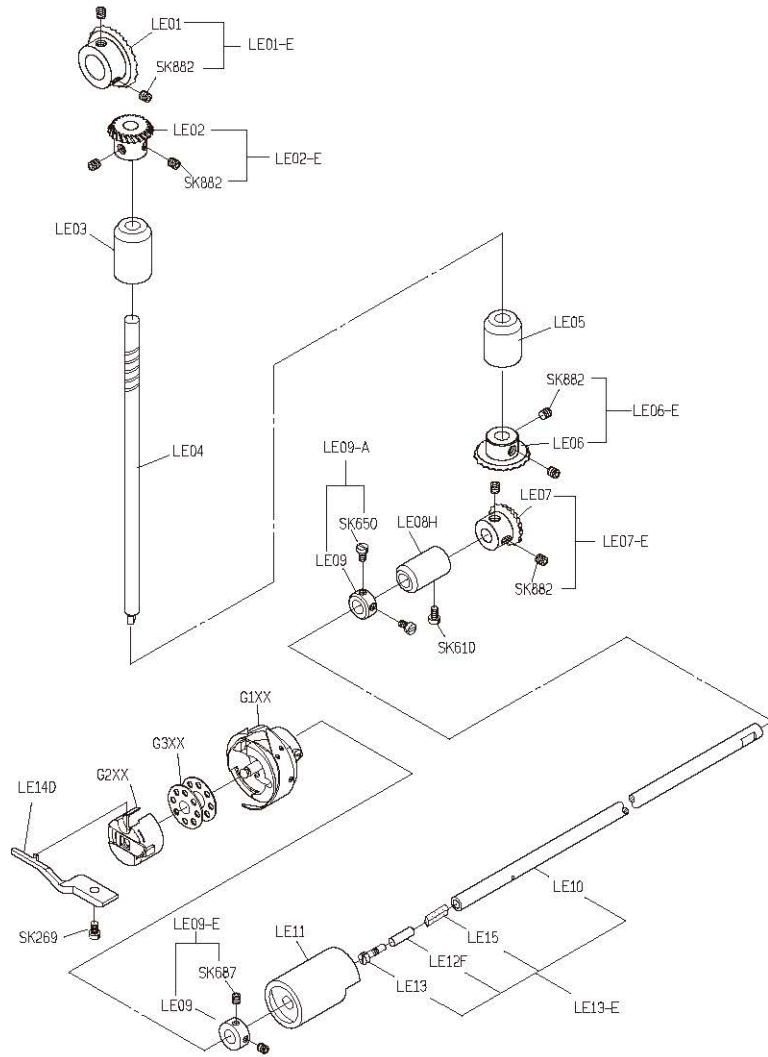
**PARTS LIST FOR LC GROUP**

From the library of: Superior Sewing Machine & Supply LLC

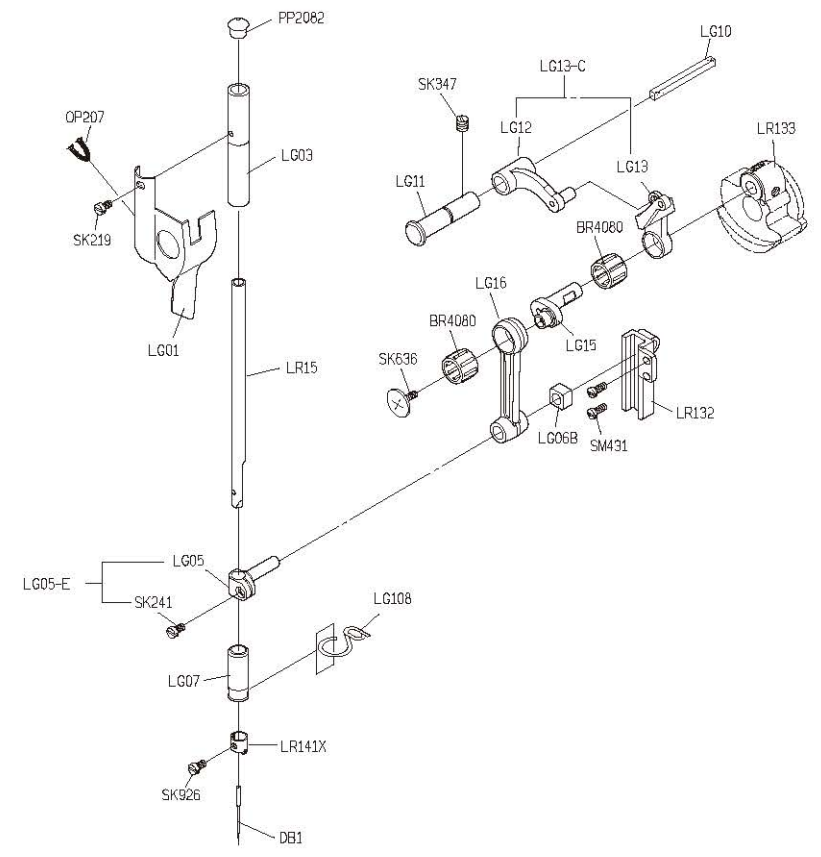


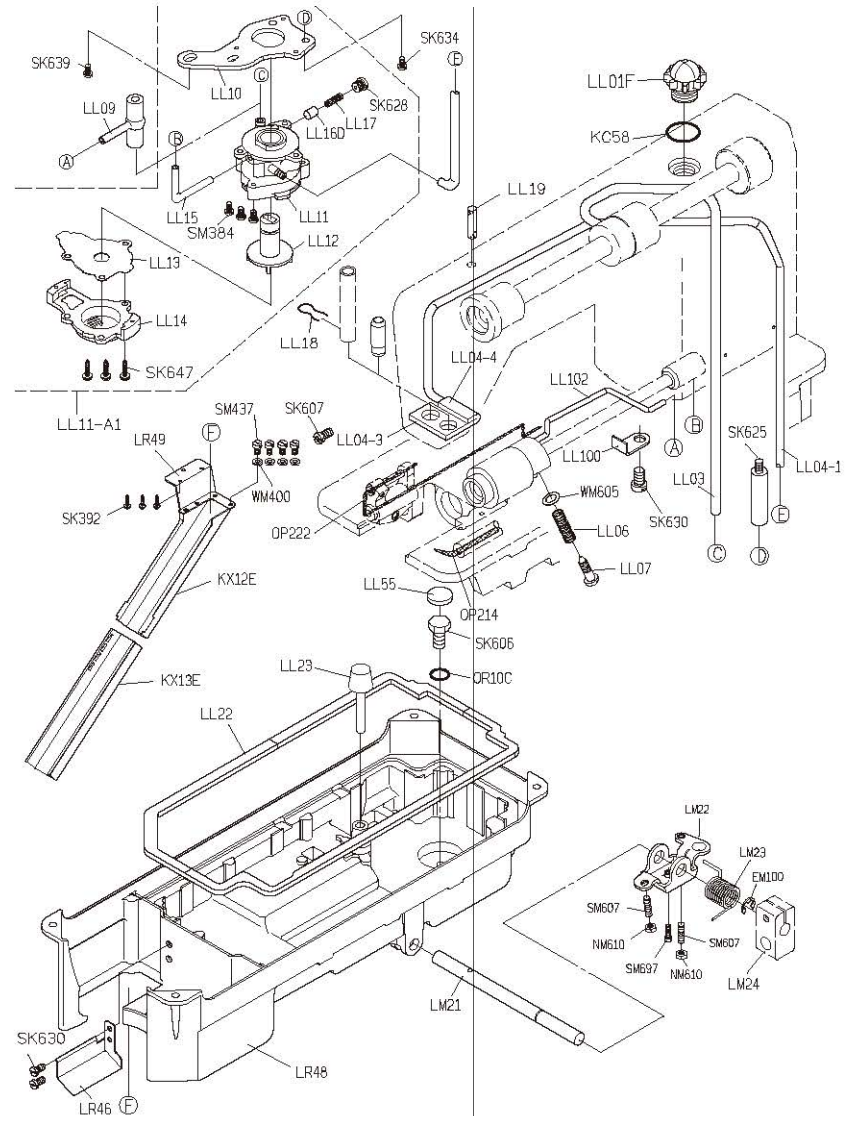
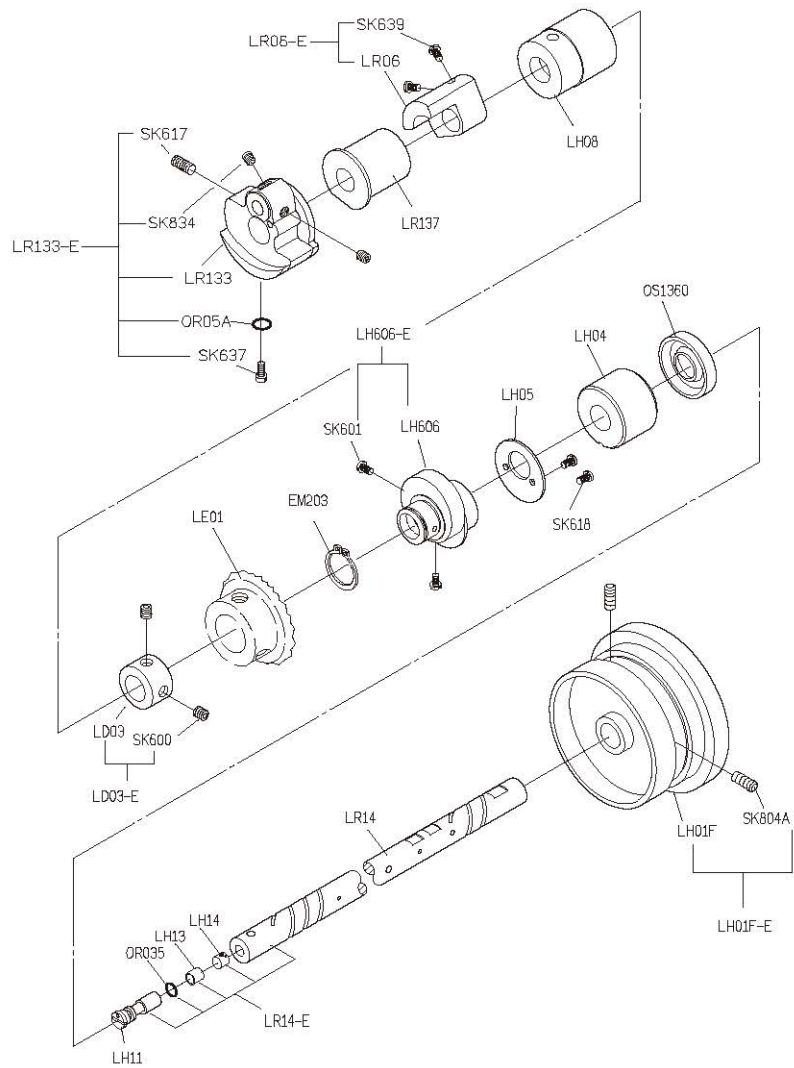
**PARTS LIST FOR LD GROUP**

# PARTS LIST FOR LE GROUP



# PARTS LIST FOR LG GROUP



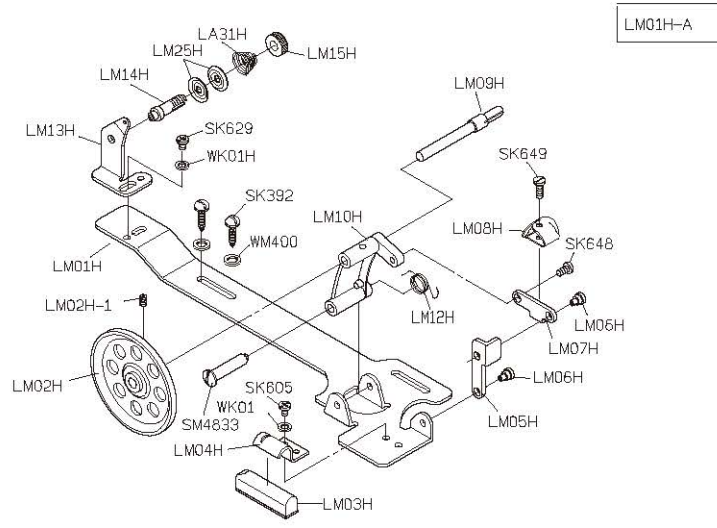


**PARTS LIST FOR LH GROUP**

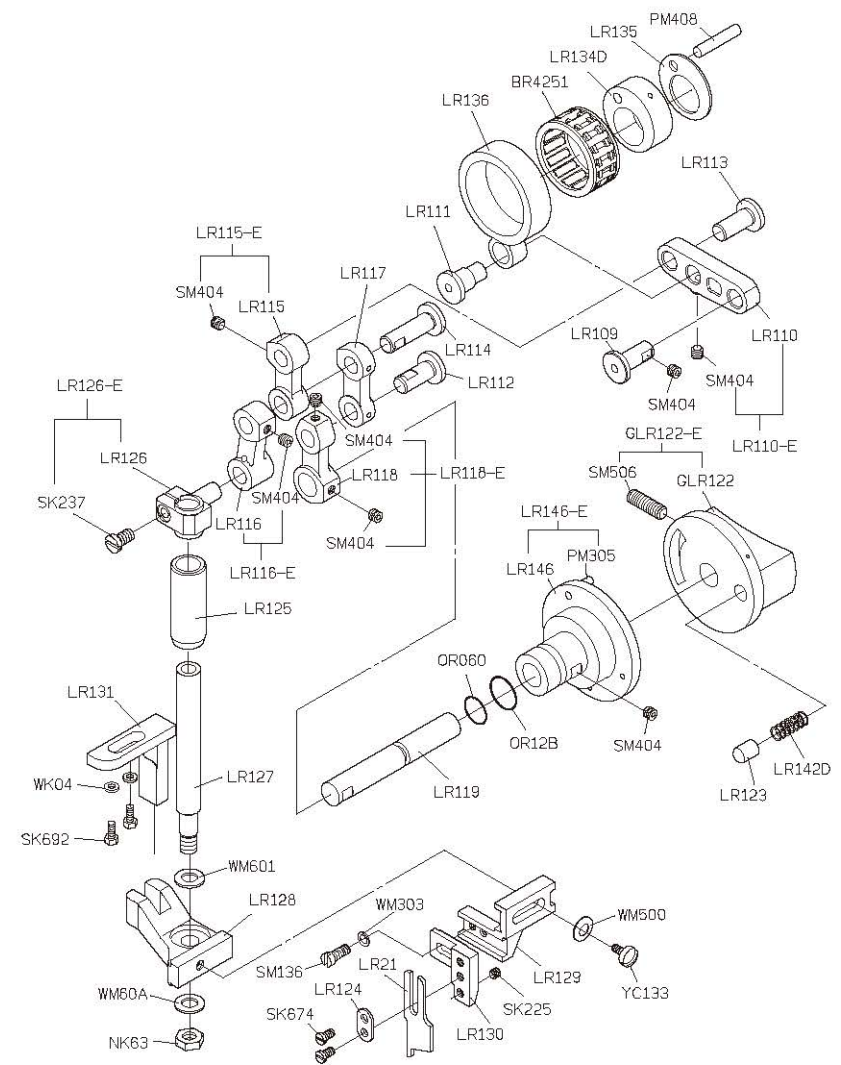
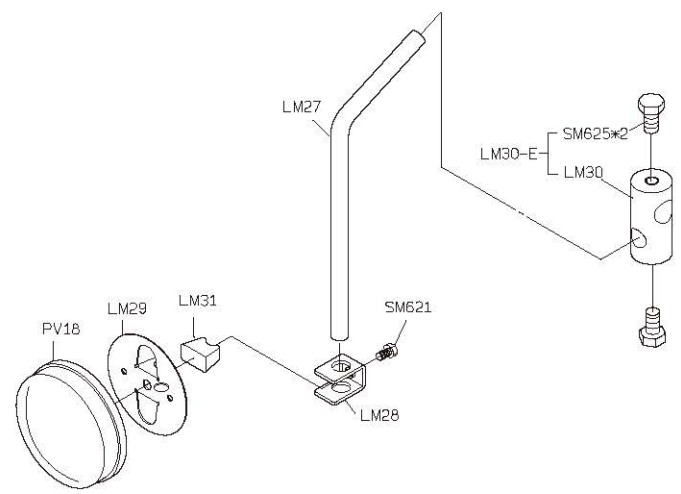
**PARTS LIST FOR LL GROUP**

# PARTS LIST FOR LM GROUP

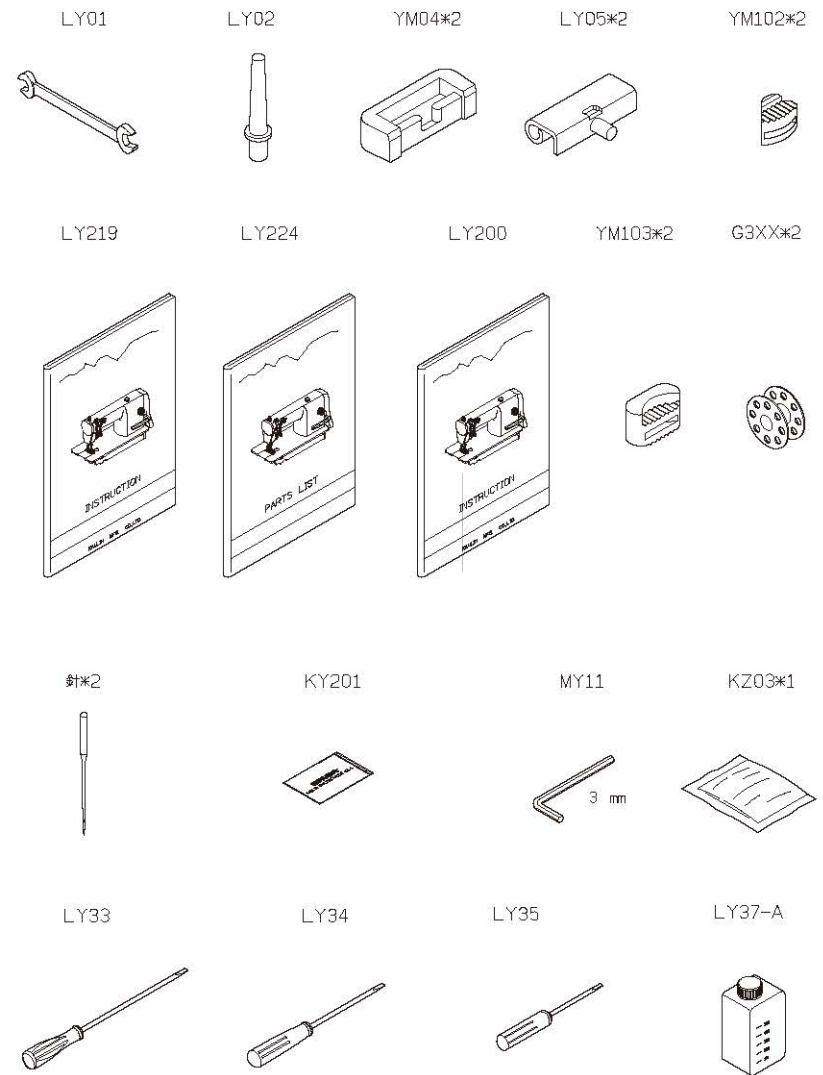
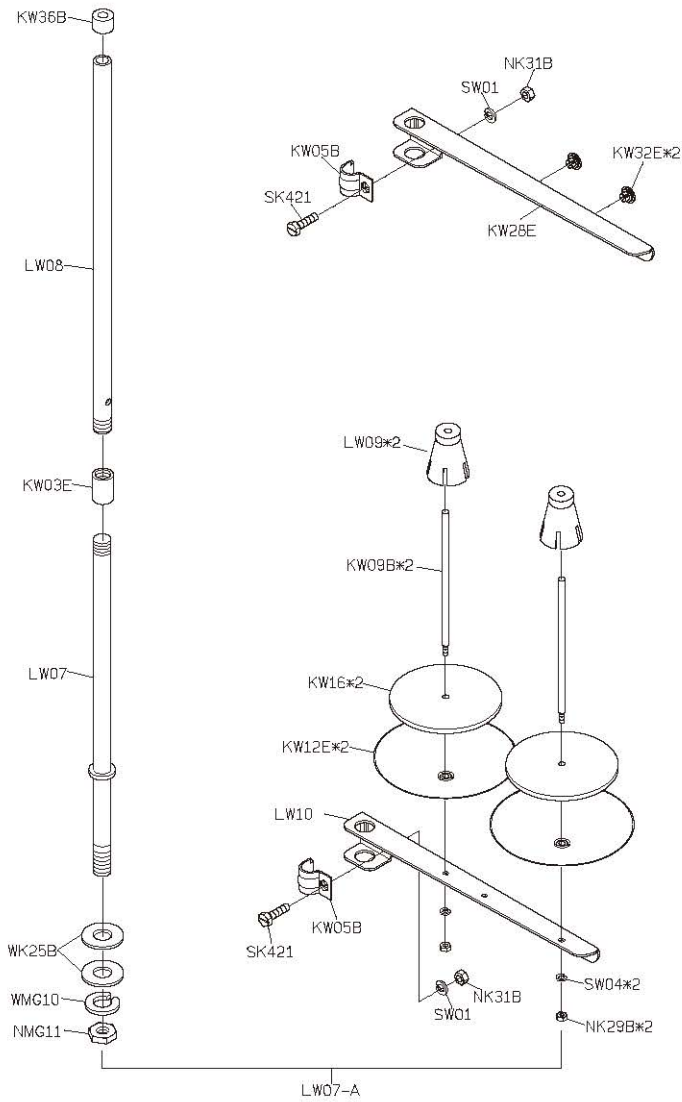
# PARTS LIST FOR LR GROUP



LM27-A



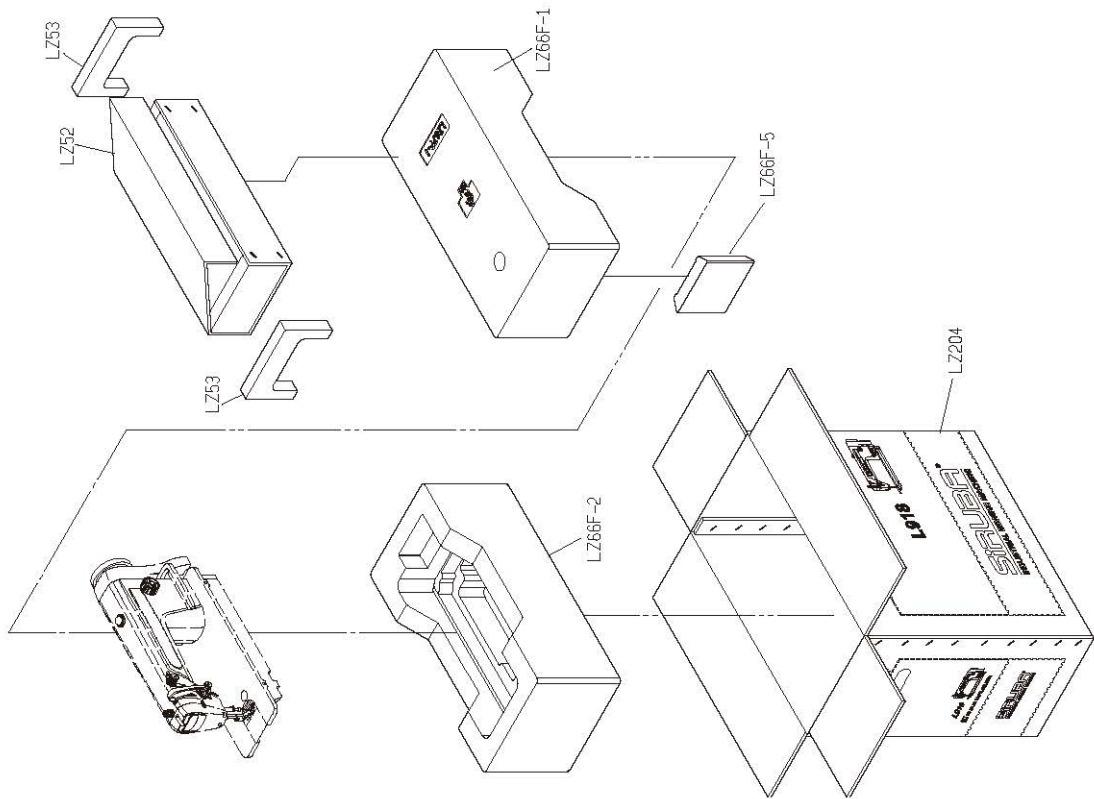




**PARTS LIST FOR THREAD STAND GROUP**

**PARTS LIST FOR LY GROUP**

PARTS LIST FOR LZ GROUP







# L918-RM

高林股份有限公司 KAULIN MFG. CO., LTD.

The specification and/or appearances of the equipment described in this parts list are subject to change because of modification without previous notice.

LY224. DEC 2009

From the library of: Superior Sewing Machine & Supply LLC