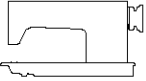
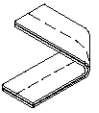
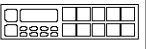
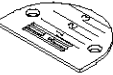
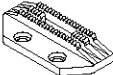
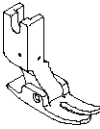
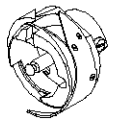
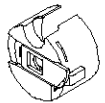


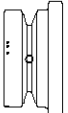
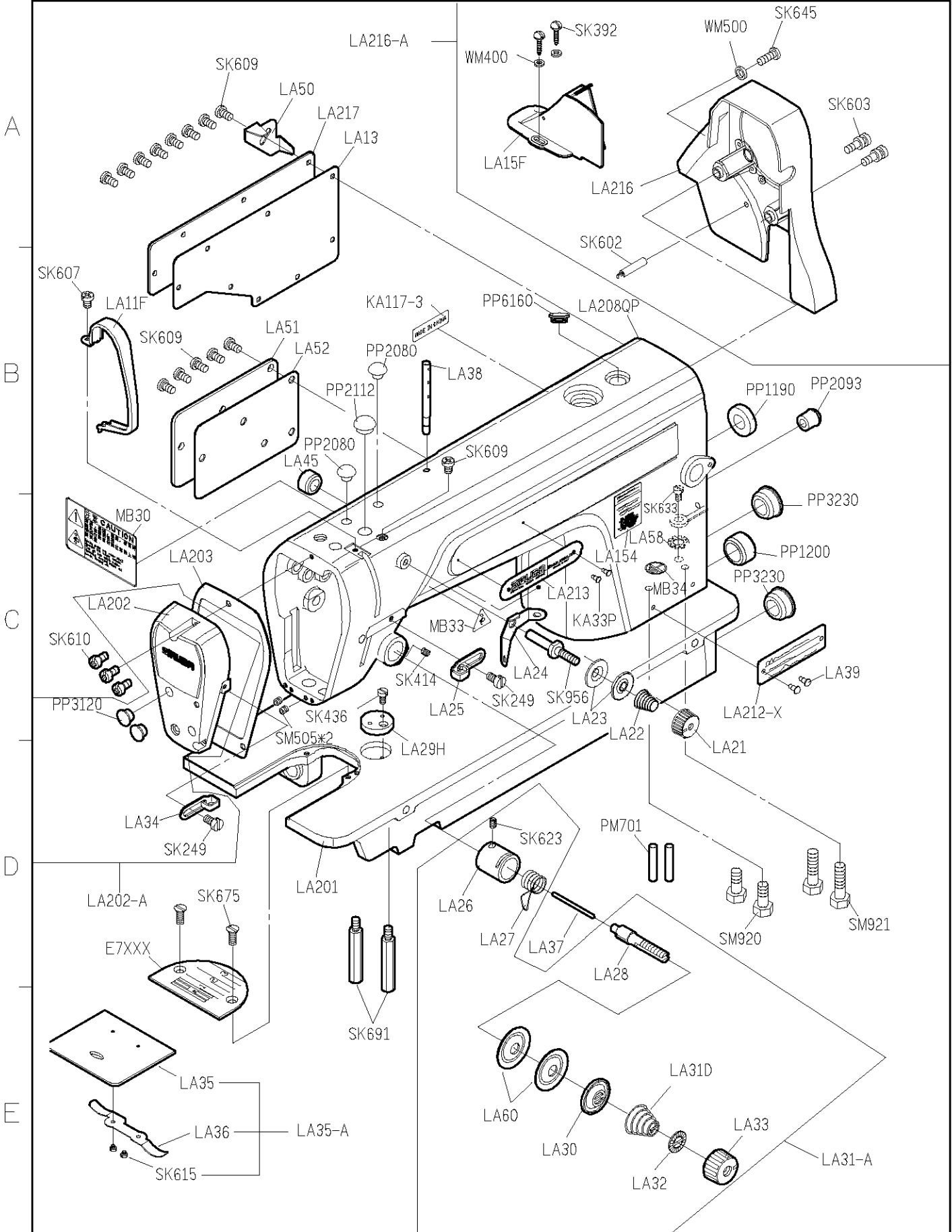


<b>SIRUBA</b> GAGE PARTS LIST	<b>Series</b>	<b>Remark</b>	<b>Page</b>	<b>Date</b>
	<b>L918U</b>	<b>DM1</b>	<b>1 / 1</b>	<b>2012/11/01</b>

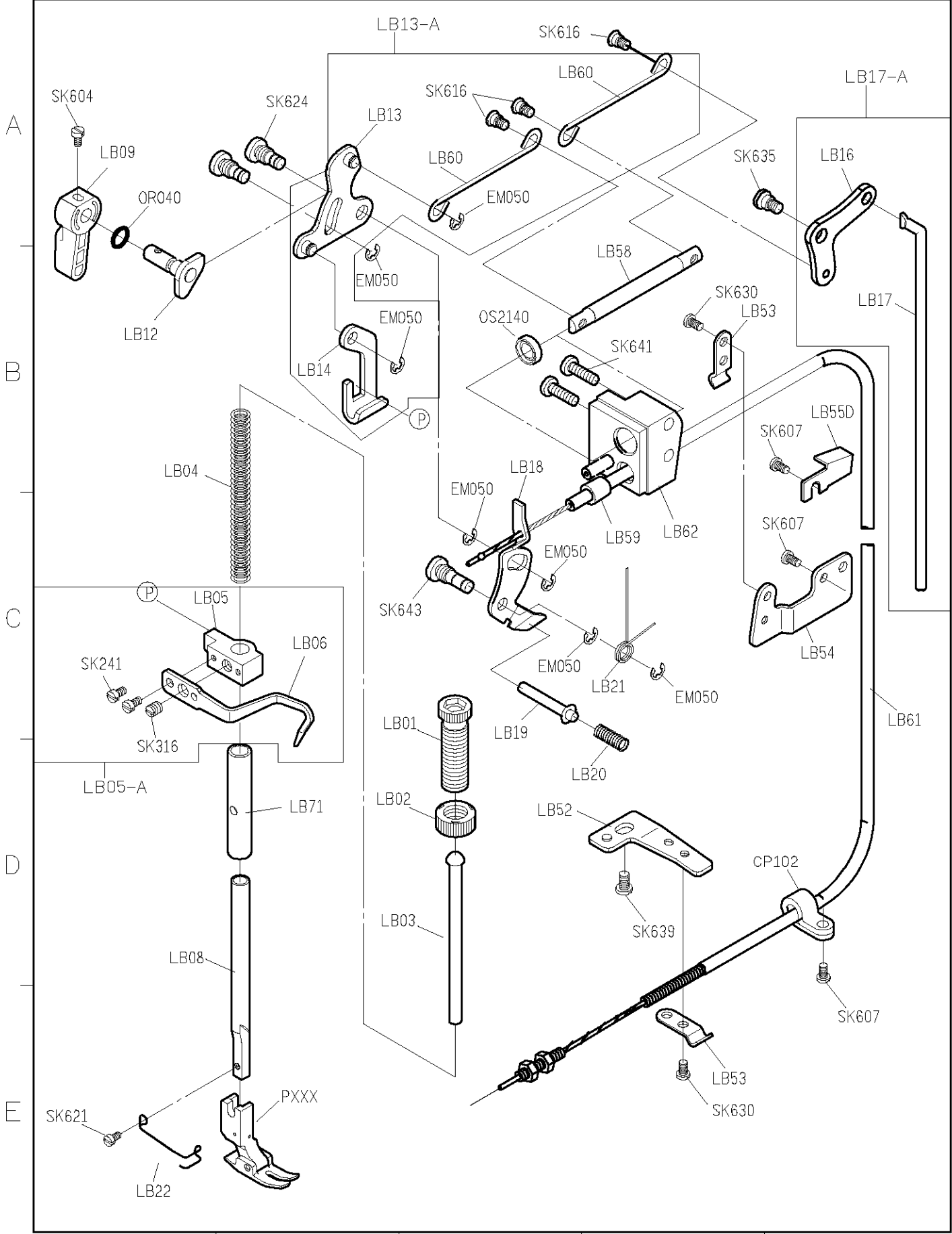
L918U-DM1規格件表 / CONVERSION CHART

										
MODEL	SUB-CLASS	OPERATING PANEL	NEEDLE PLATE	FEED DOG	PRESSER FOOT	HOOK ASM	BOBBIN CASE ASM	BOBBIN	NEEDLE	HAND WHEEL
機 型	規 格	操作盒	針 板	送 具	押 具	梭 頭	梭 殼	梭 子	針 號	皮帶輪
L918-DM1-10 L918-DM1-13	半無油式 中厚布料	L-900	E704	D701	P701	G121	G202	G303	DBX1#14	LH01-A1
L918-DM1A-10 L918-DM1A-13			E704D	D702						

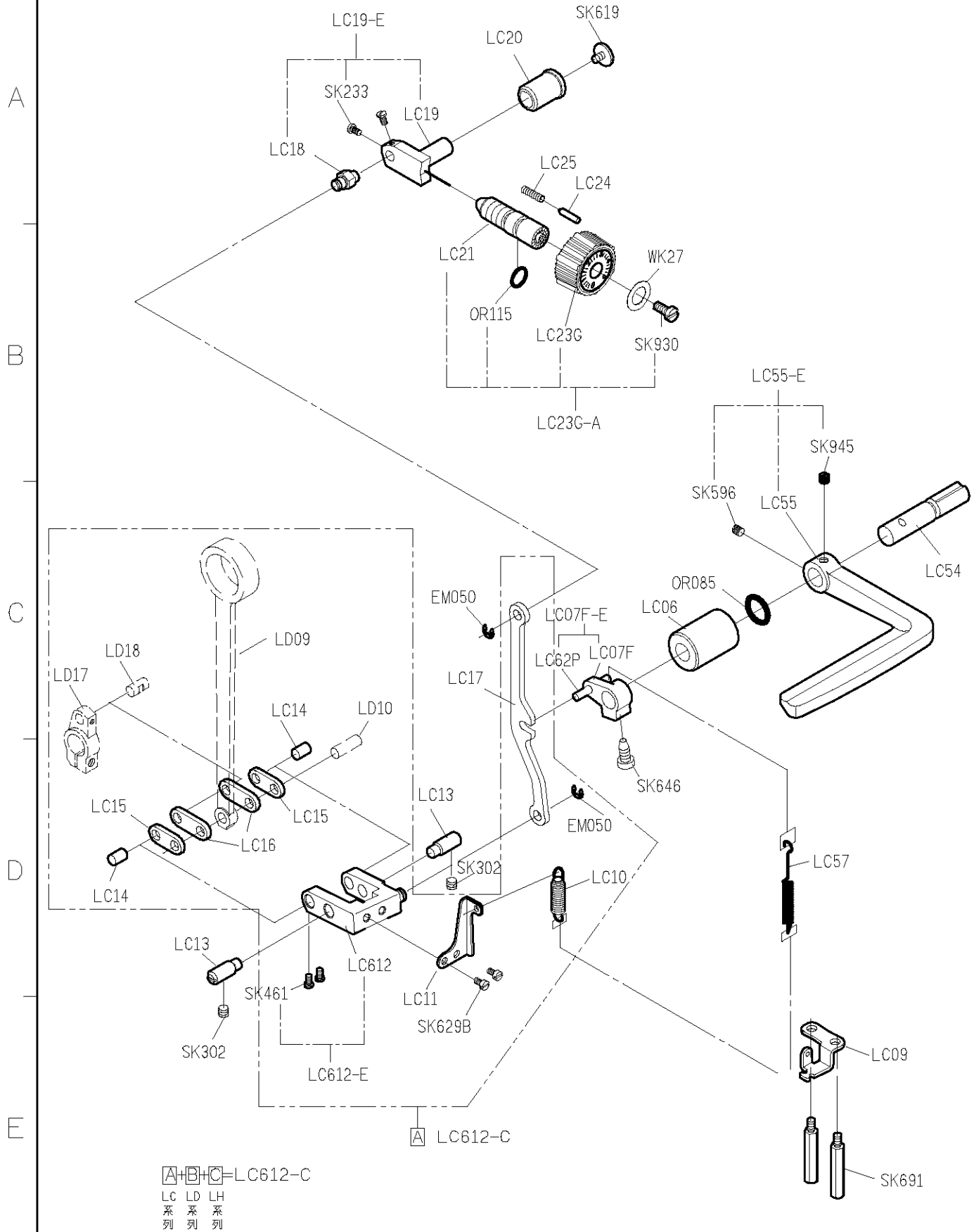
SIRUBA PARTS LIST	Series	Parts Group	Subclass / Remark	Page
	L918U-DM1	LA		1/1
				Date
				2012/11/01



<b>SIRUBA</b> <b>PARTS LIST</b>	<b>Series</b>	<b>Parts Group</b>	<b>Subclass / Remark</b>	<b>Page</b>
	L918U-DM1	LB		1/1
				<b>Date</b>
				2012/11/01



<b>SIRUBA</b> <b>PARTS LIST</b>	<b>Series</b>	<b>Parts Group</b>	<b>Subclass / Remark</b>	<b>Page</b>
	L918U-DM1	LC		1/1
				<b>Date</b>
				2015/2/5



**SIRUBA**  
**PARTS LIST**

**Series**  
**L918U-DM1**

**Parts Group**  
**LD**

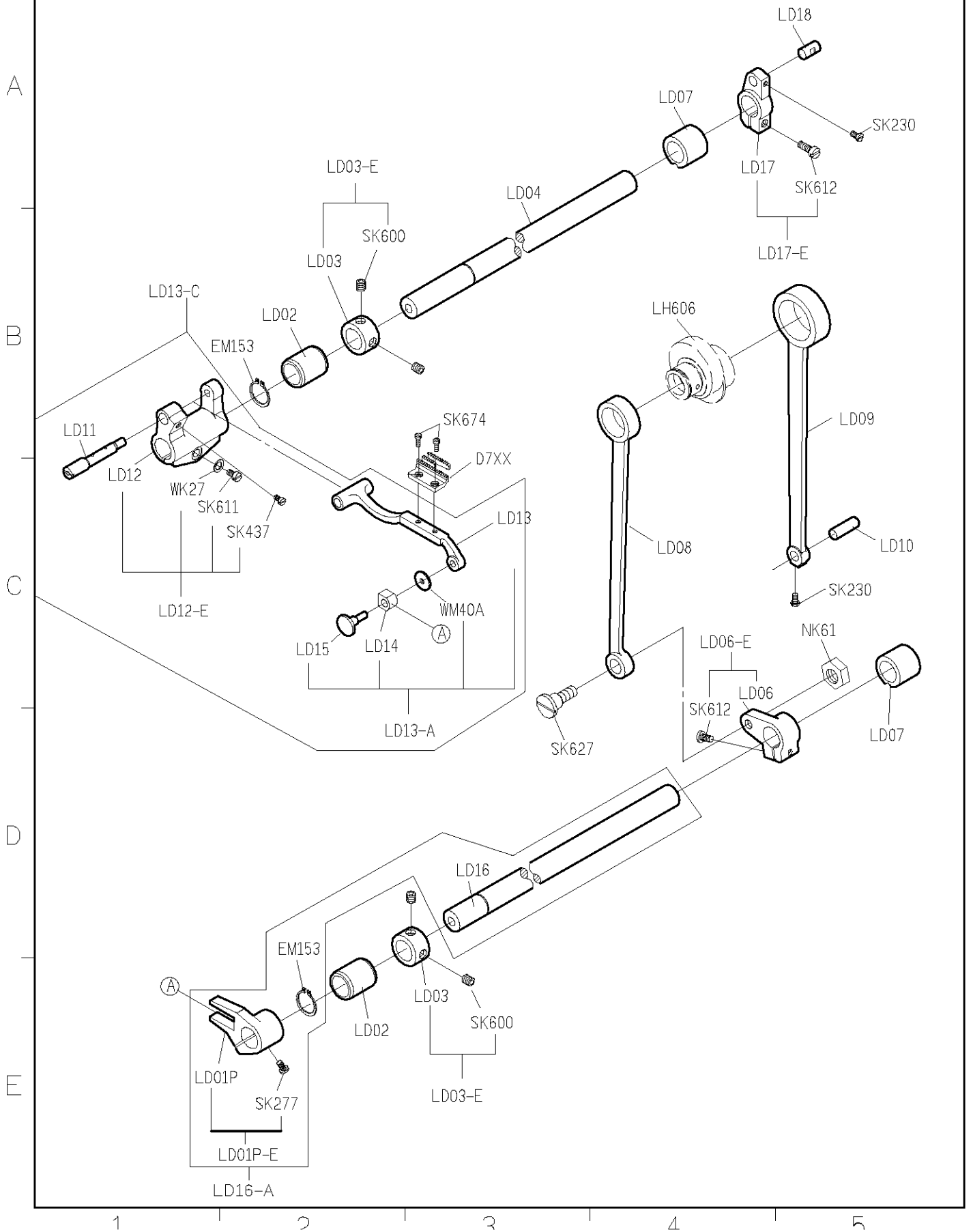
**Subclass / Remark**

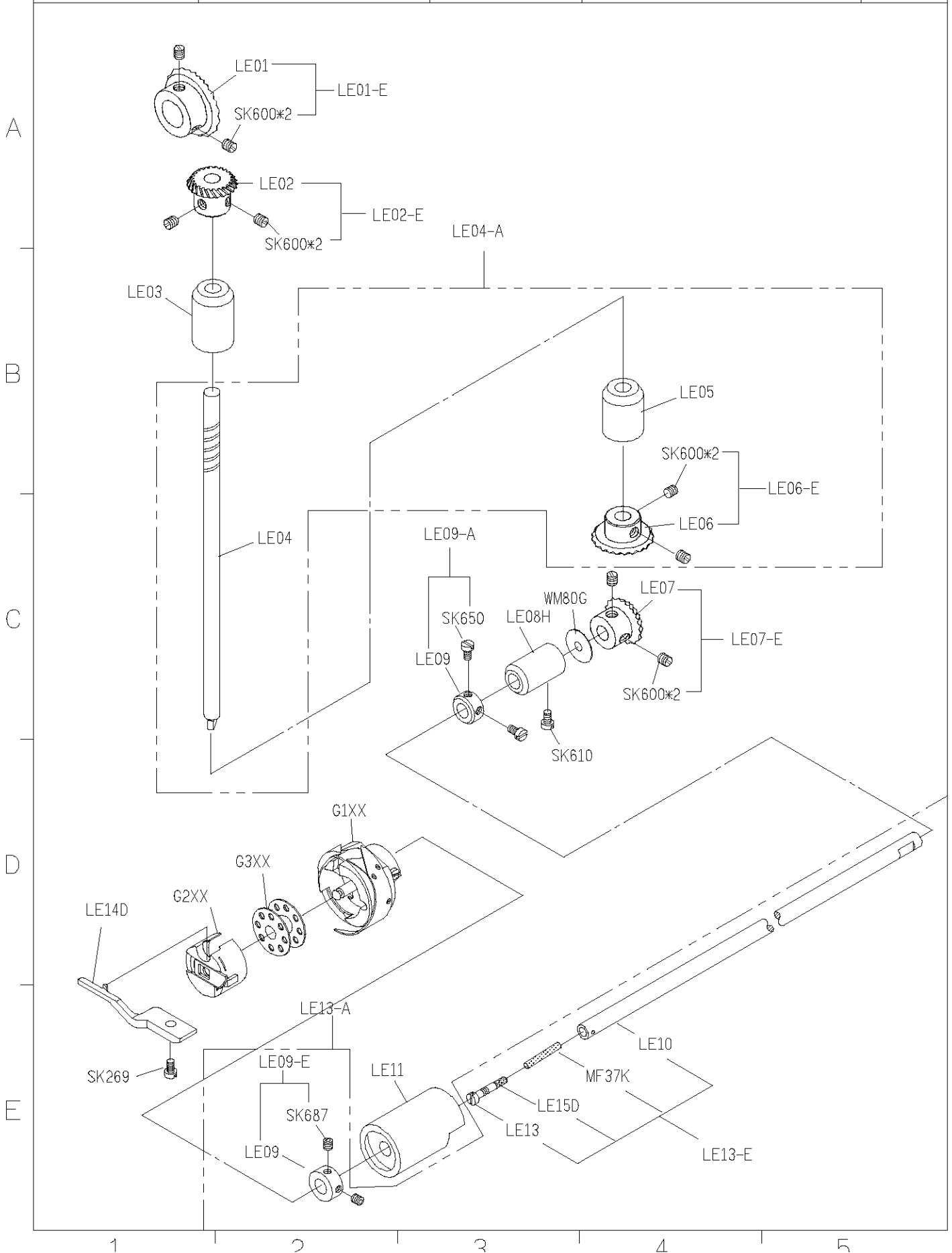
**Page**

1/1

**Date**

2012/11/01





SIRUBA PARTS LIST	Series	Parts Group	Subclass / Remark	Page
	L918U-DM1	LG		1/1
				Date 2012/11/01

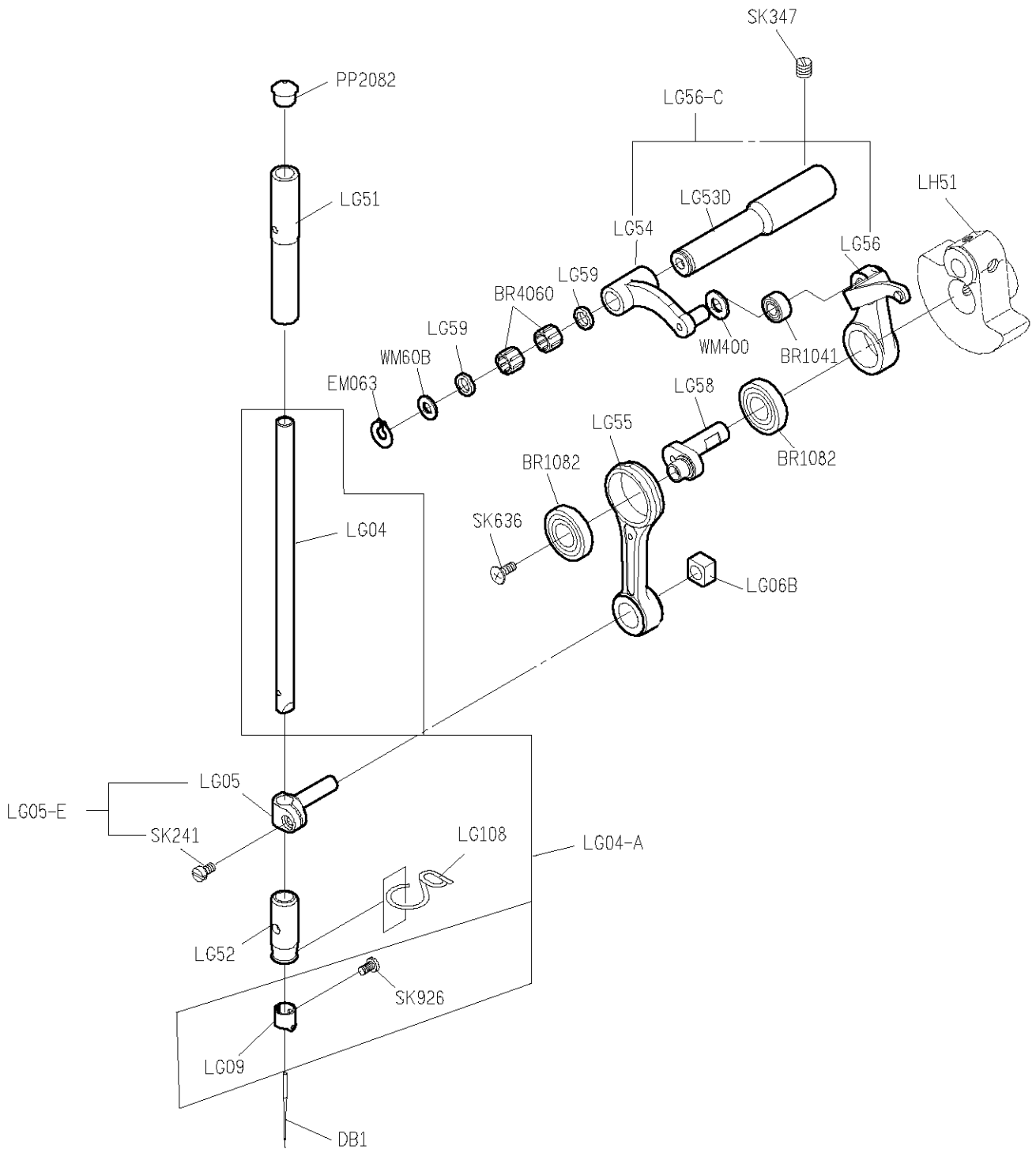
A

B

C

D

E



1

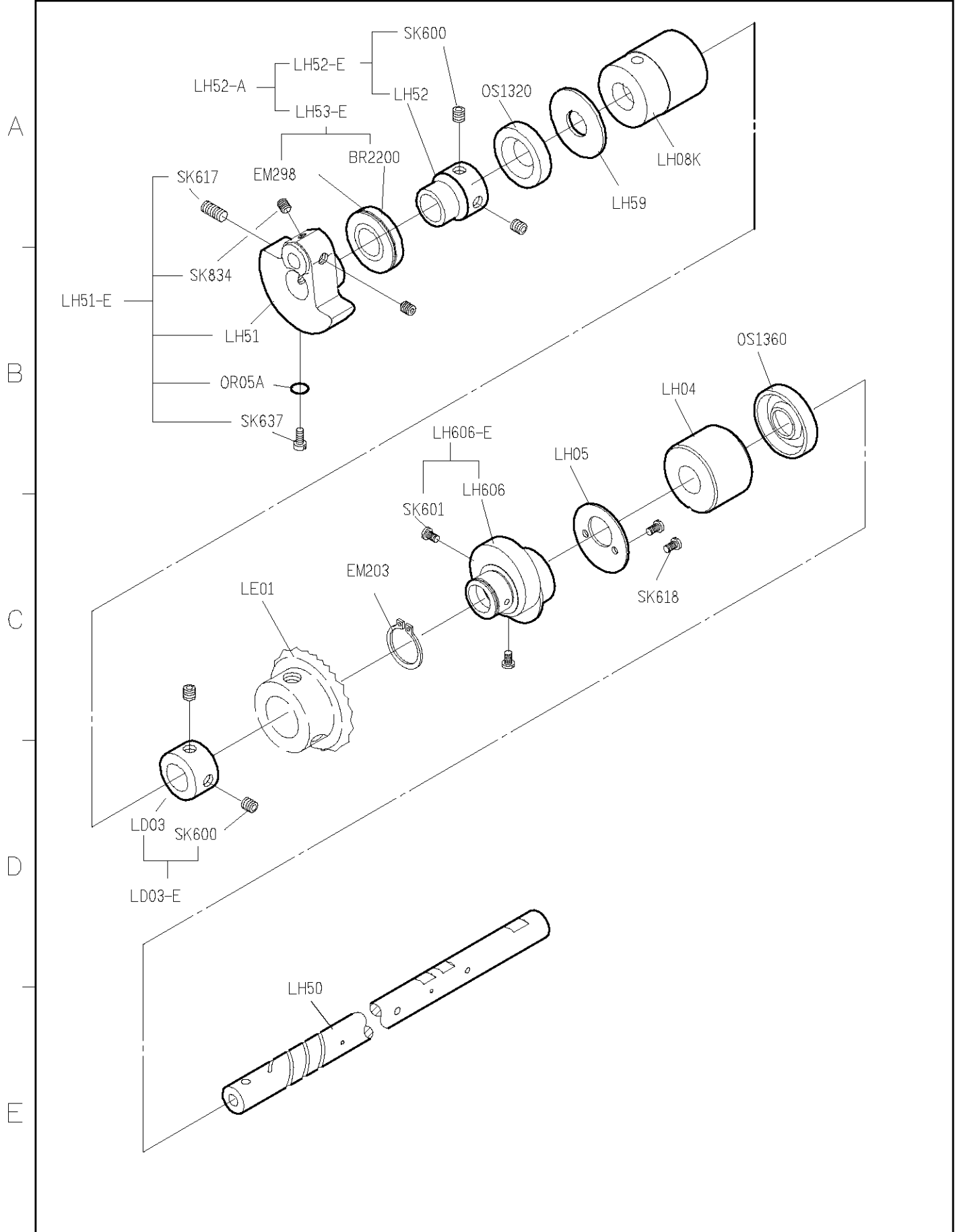
2

3

4

5

SIRUBA PARTS LIST	Series	Parts Group	Subclass / Remark	Page
	L918U-DM1	LH		1/2
				Date
				2012/11/01





<b>SIRUBA</b> <b>PARTS LIST</b>	Series	Parts Group	Subclass / Remark	Page
	<b>L918U-DM1</b>	<b>LH</b>		2/2
				Date
				2012/11/01

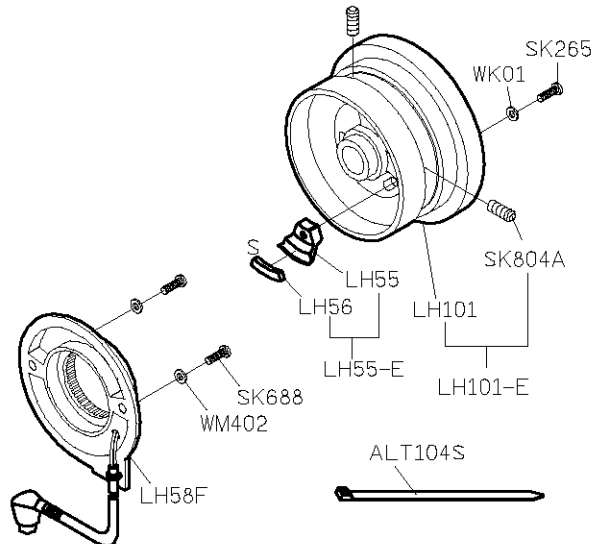
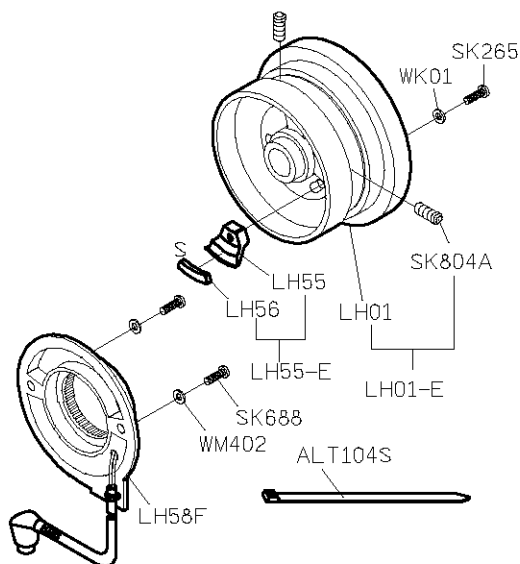
擺動式切刀

旋轉式切刀

A

H  
廠牌馬達

B



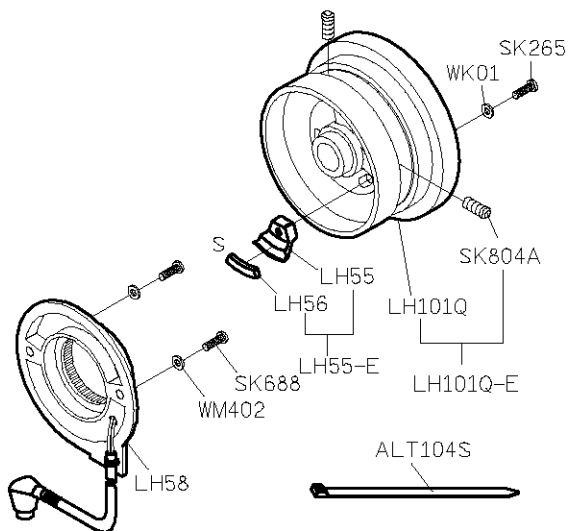
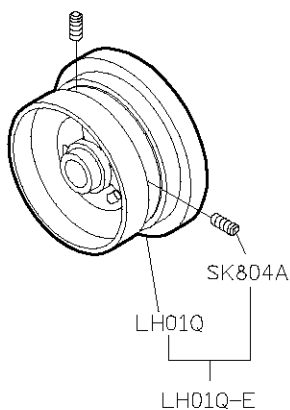
LH01-A1

LH101-A1

C

其他廠牌馬達(可加後拉輪)

D



LH01Q-E

LH101Q-A1

E

**SIRUBA**

**PARTS LIST**

**Series**

**L918U-DM1**

**Parts Group**

**LL**

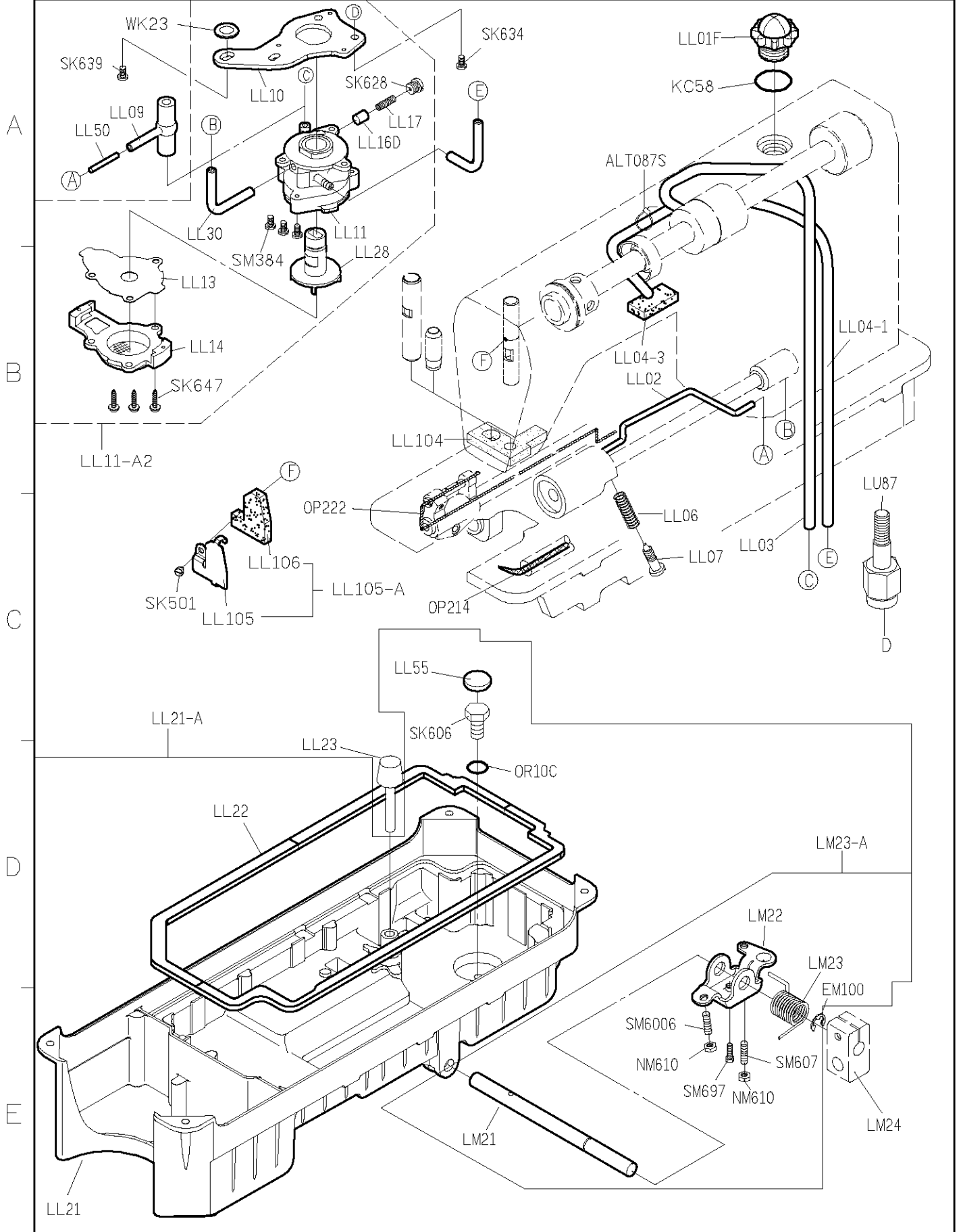
**Subclass / Remark**

**Page**

1/1

**Date**

2015/03/24

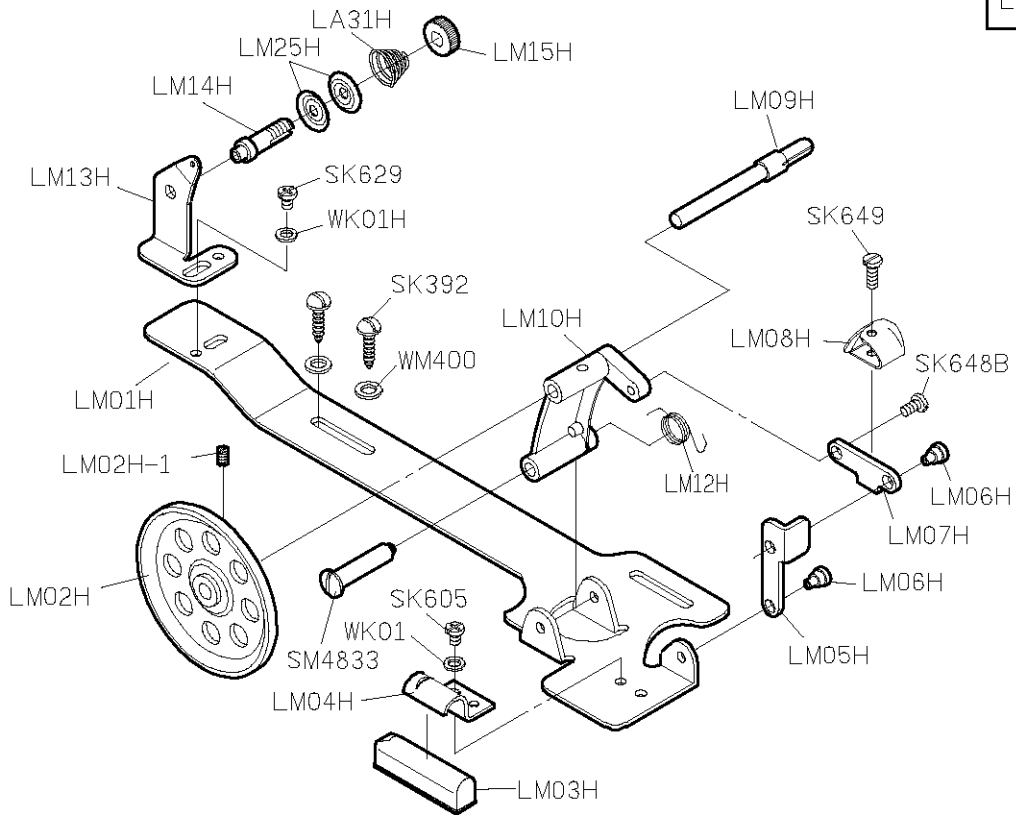


<b>SIRUBA</b> <b>PARTS LIST</b>	<b>Series</b>	<b>Parts Group</b>	<b>Subclass / Remark</b>	<b>Page</b>
	<b>L918U-DM1</b>	<b>LM</b>		<b>1/1</b>
				<b>Date</b>
				<b>2012/11/01</b>

LM01H-A

A

B

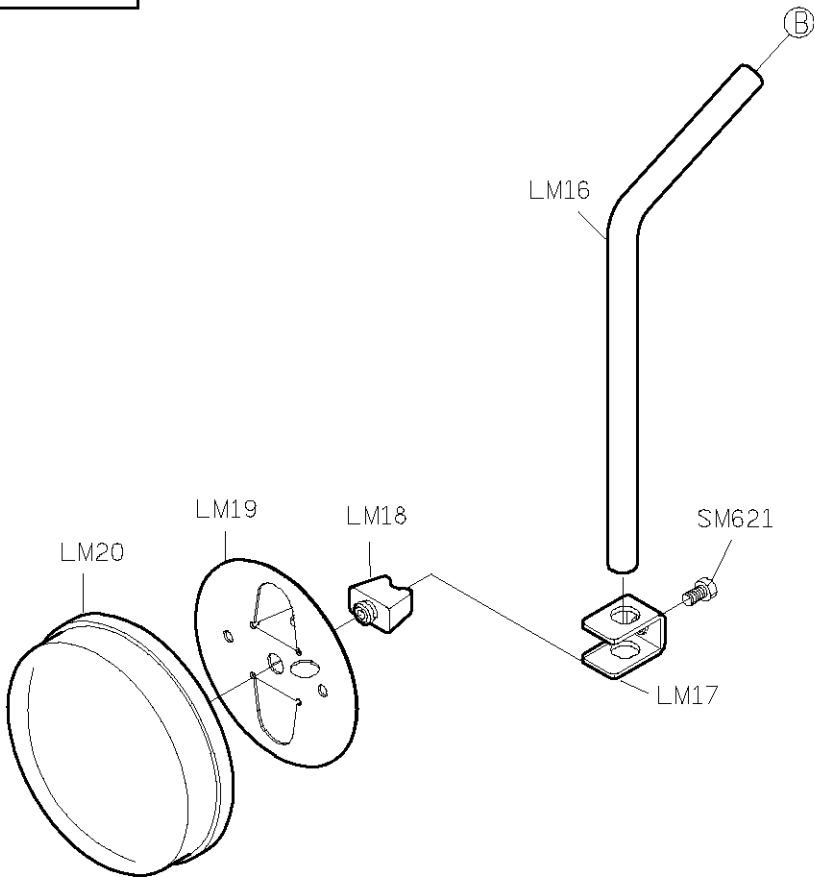


C

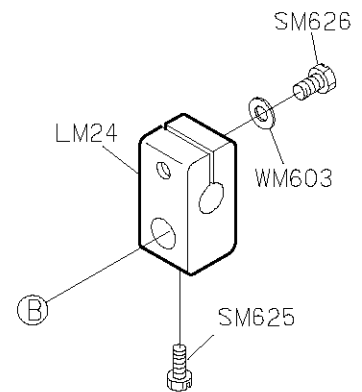
LM20-A

D

E



LM24-E



1 2 3 4 5

**SIRUBA**

**PARTS LIST**

**Series**

**L918U-DM1**

**Parts Group**

**LU**

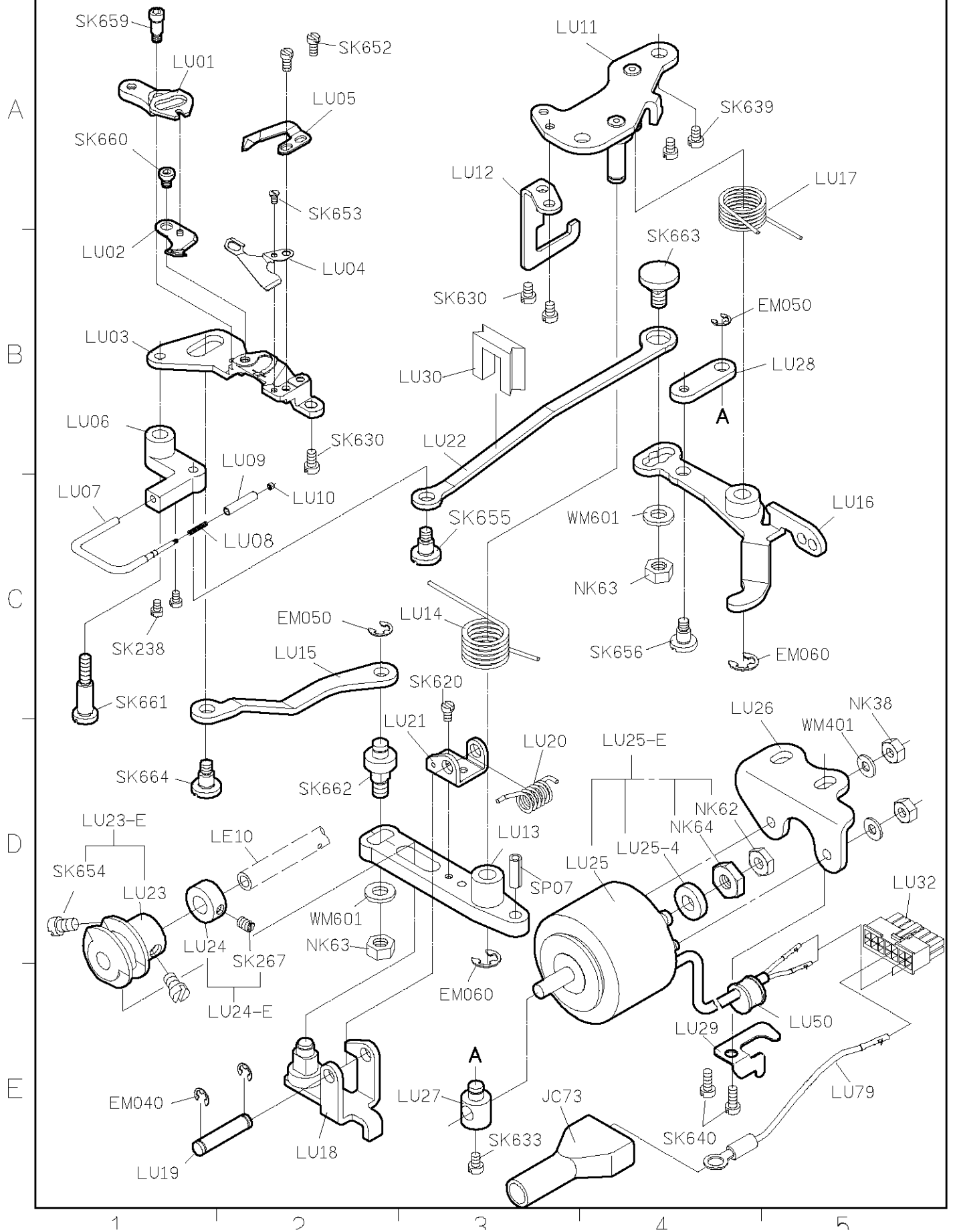
**Subclass / Remark**

**Page**

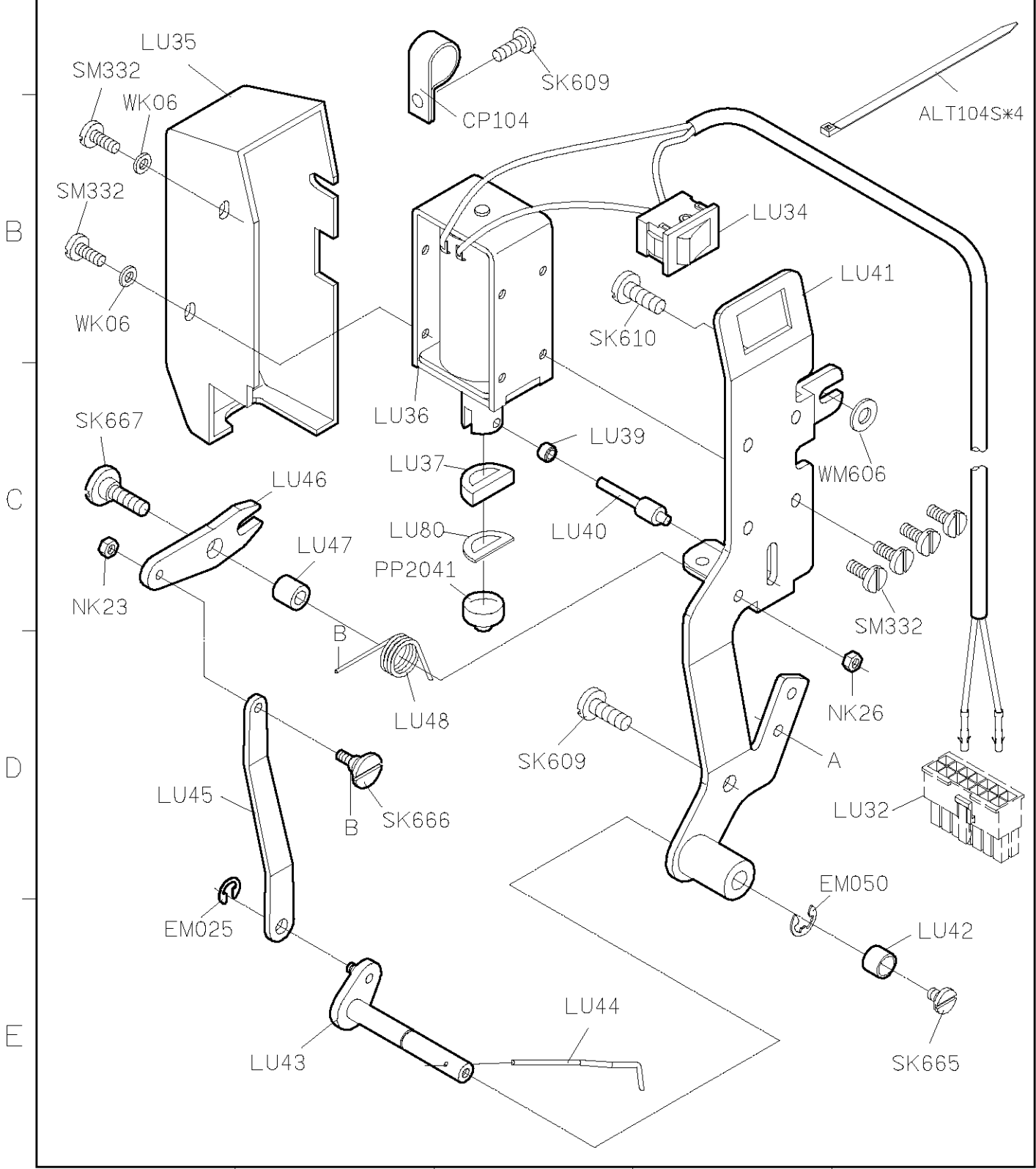
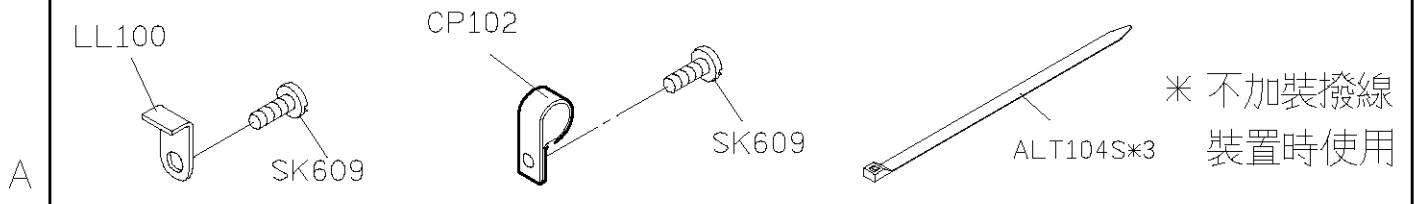
1/7

**Date**

2012/11/01



SIRUBA PARTS LIST	Series	Parts Group	Subclass / Remark	Page
	L918U-DM1	LU		2/7
				Date
				2012/11/01



SIRUBA PARTS LIST	Series	Parts Group	Subclass / Remark	Page
	L918U-DM1	LU		3/7
				Date 2015/2/5

LU51-A

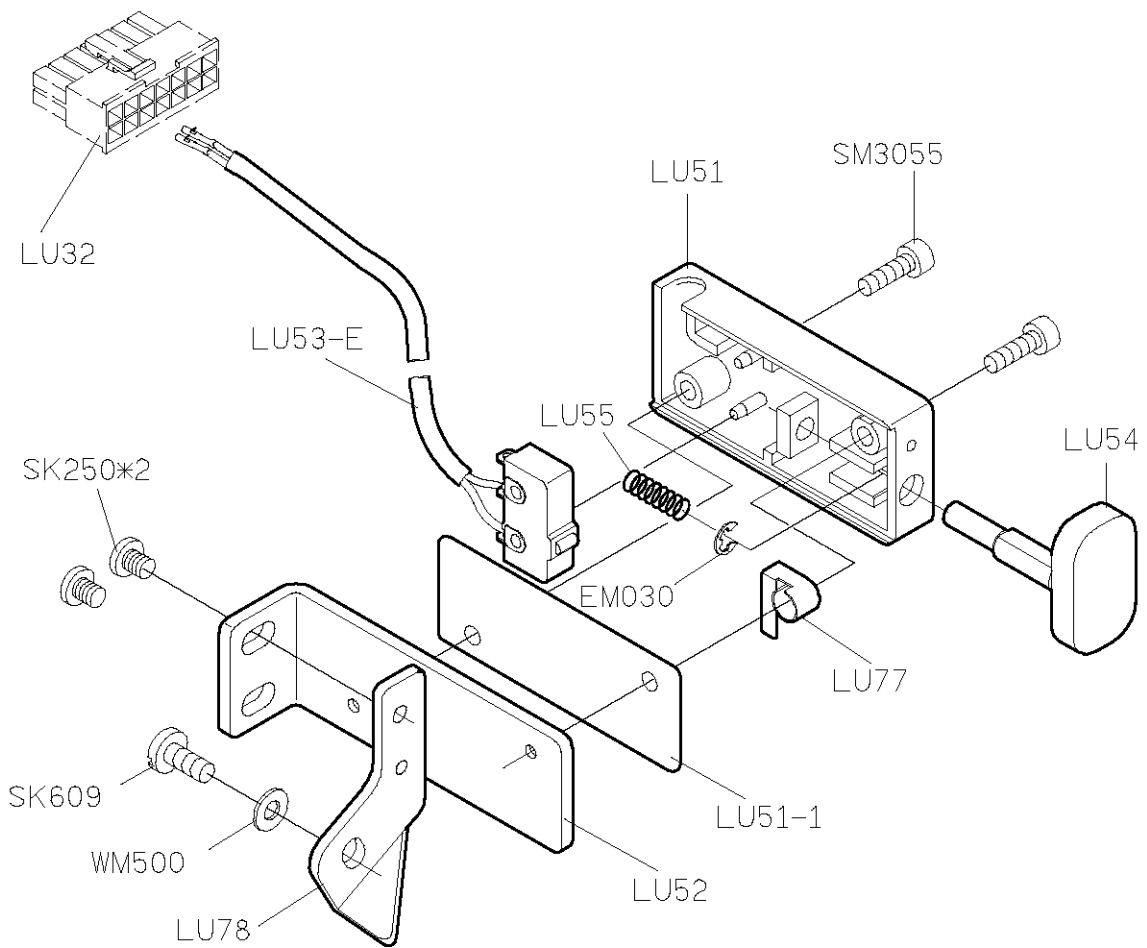
A

B

C

D

E



<b>SIRUBA</b> <b>PARTS LIST</b>	<b>Series</b>	<b>Parts Group</b>	<b>Subclass / Remark</b>	<b>Page</b>
	L918U-DM1	LU		4/7
				<b>Date</b>
				2012/11/01

LU64F-A1

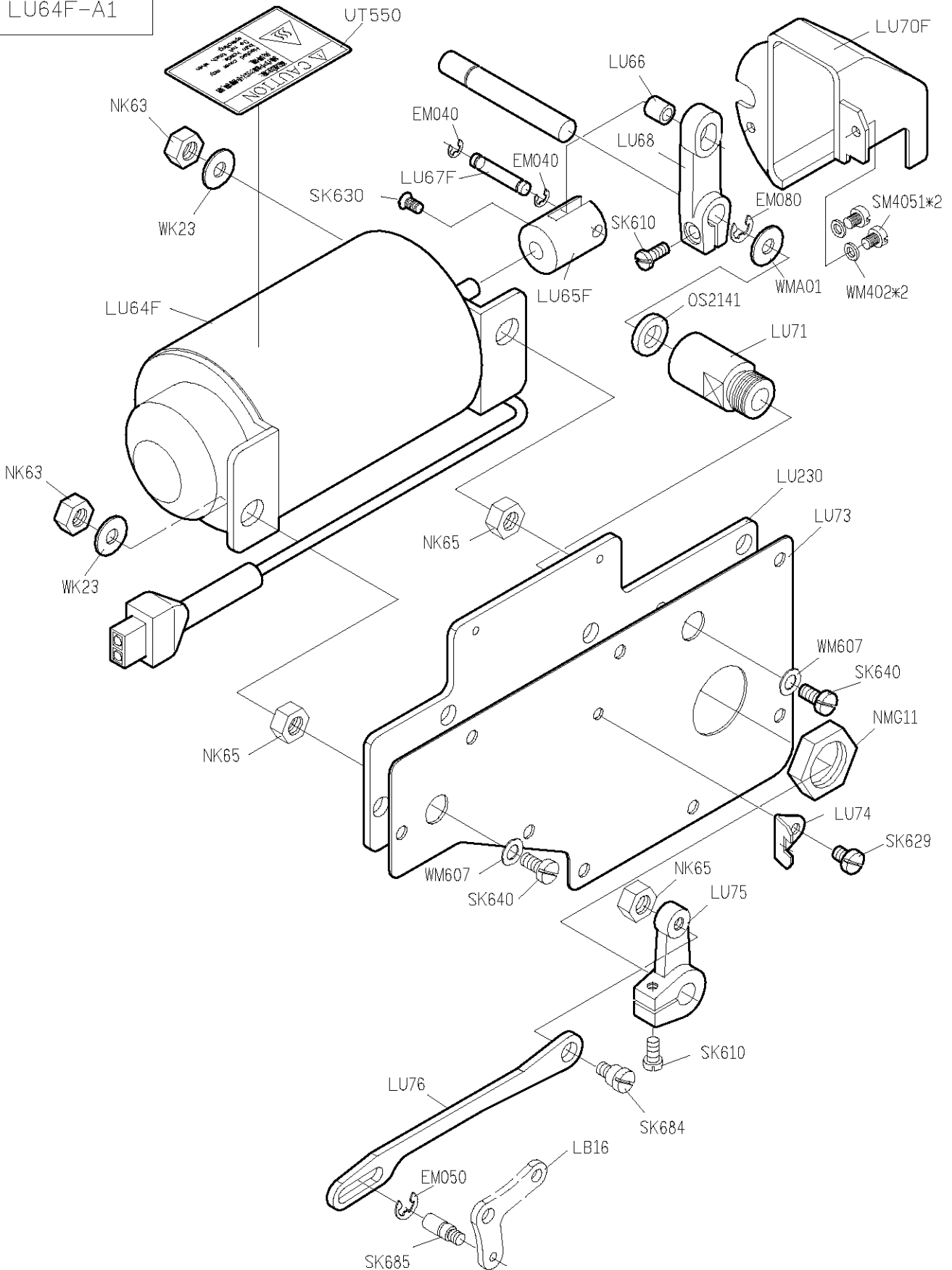
A

B

C

D

E



1

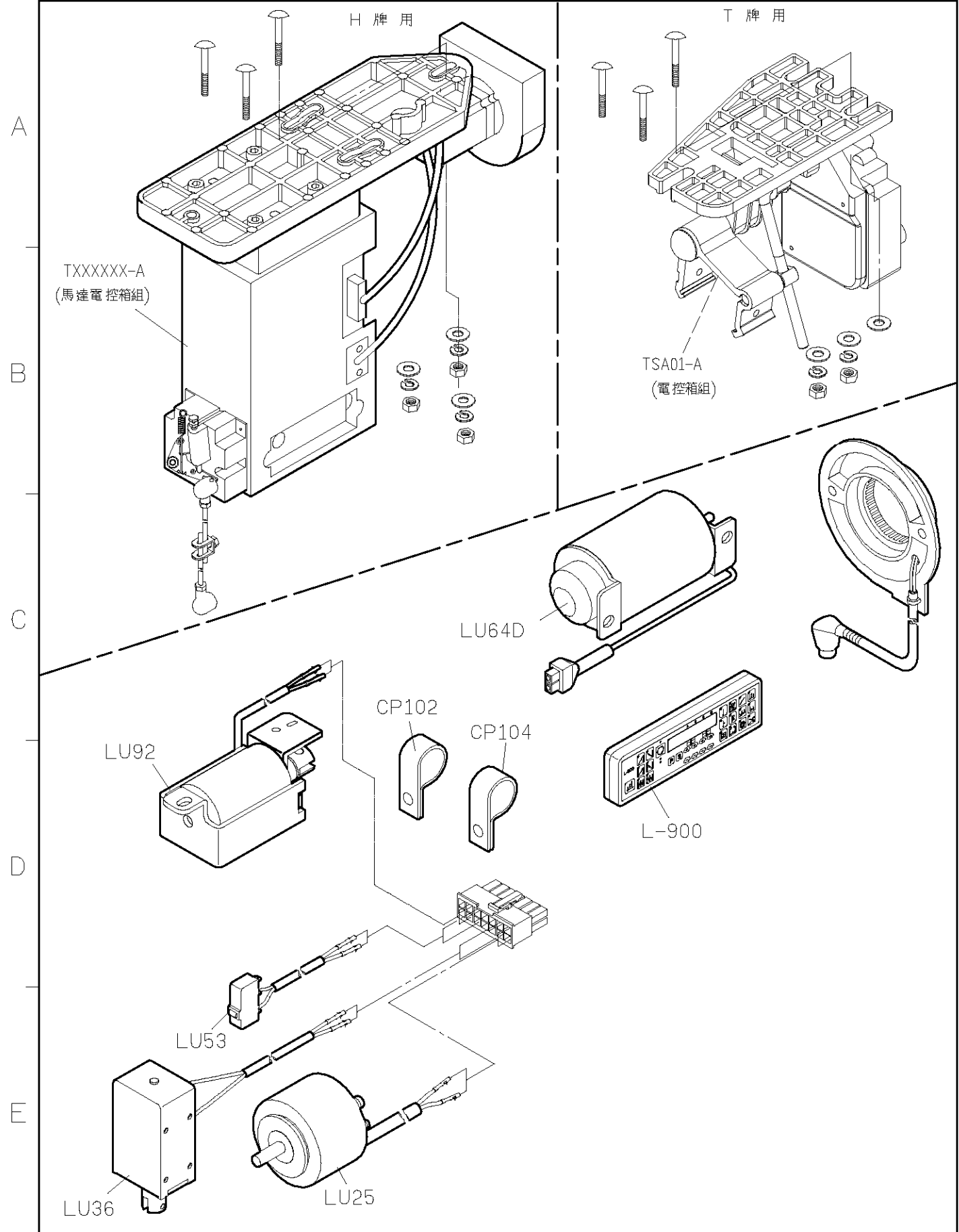
2

3

4

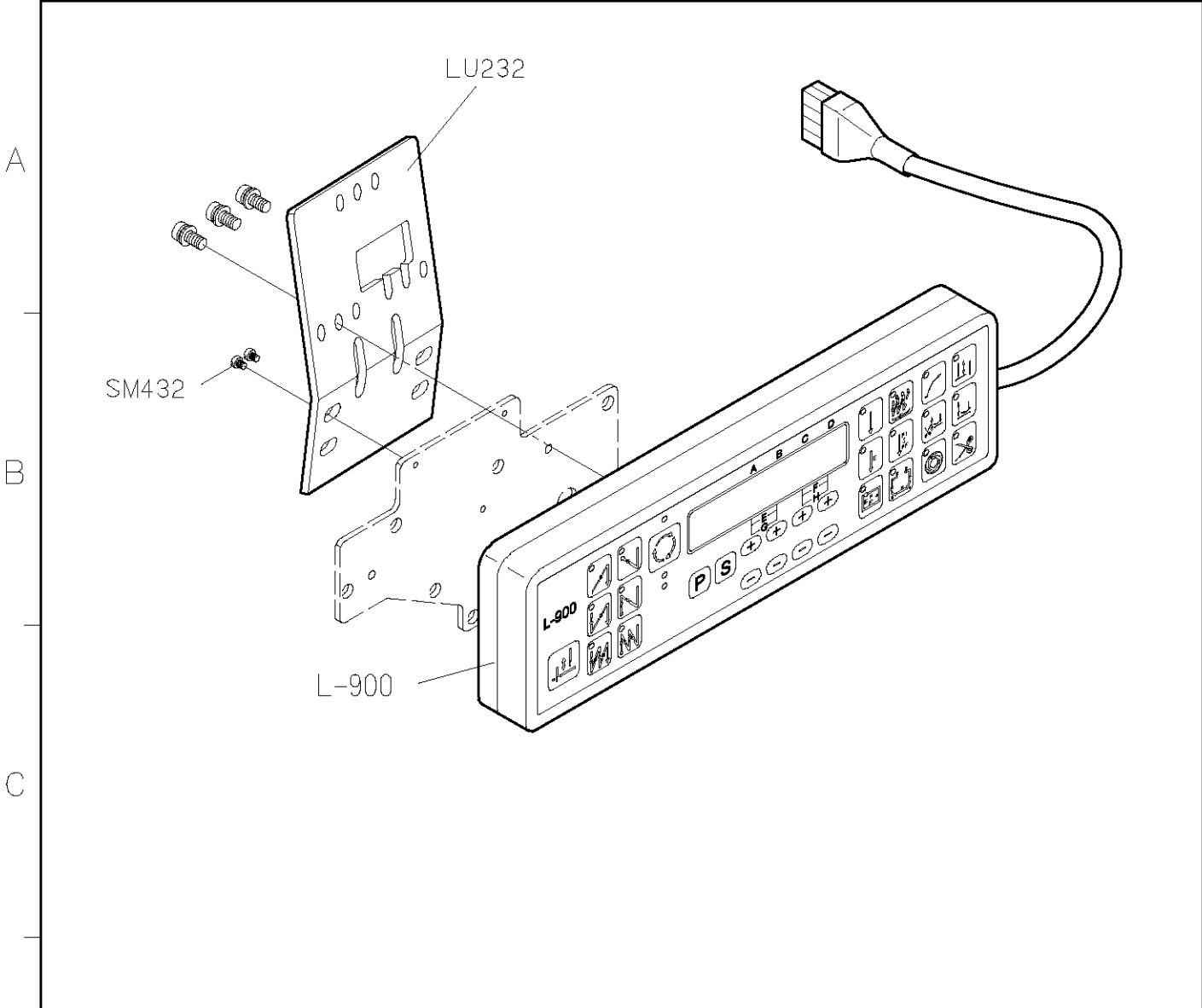
5

SIRUBA PARTS LIST	Series	Parts Group	Subclass / Remark	Page
	L918U-DM1	LU		5/7
				Date
				2012/11/01





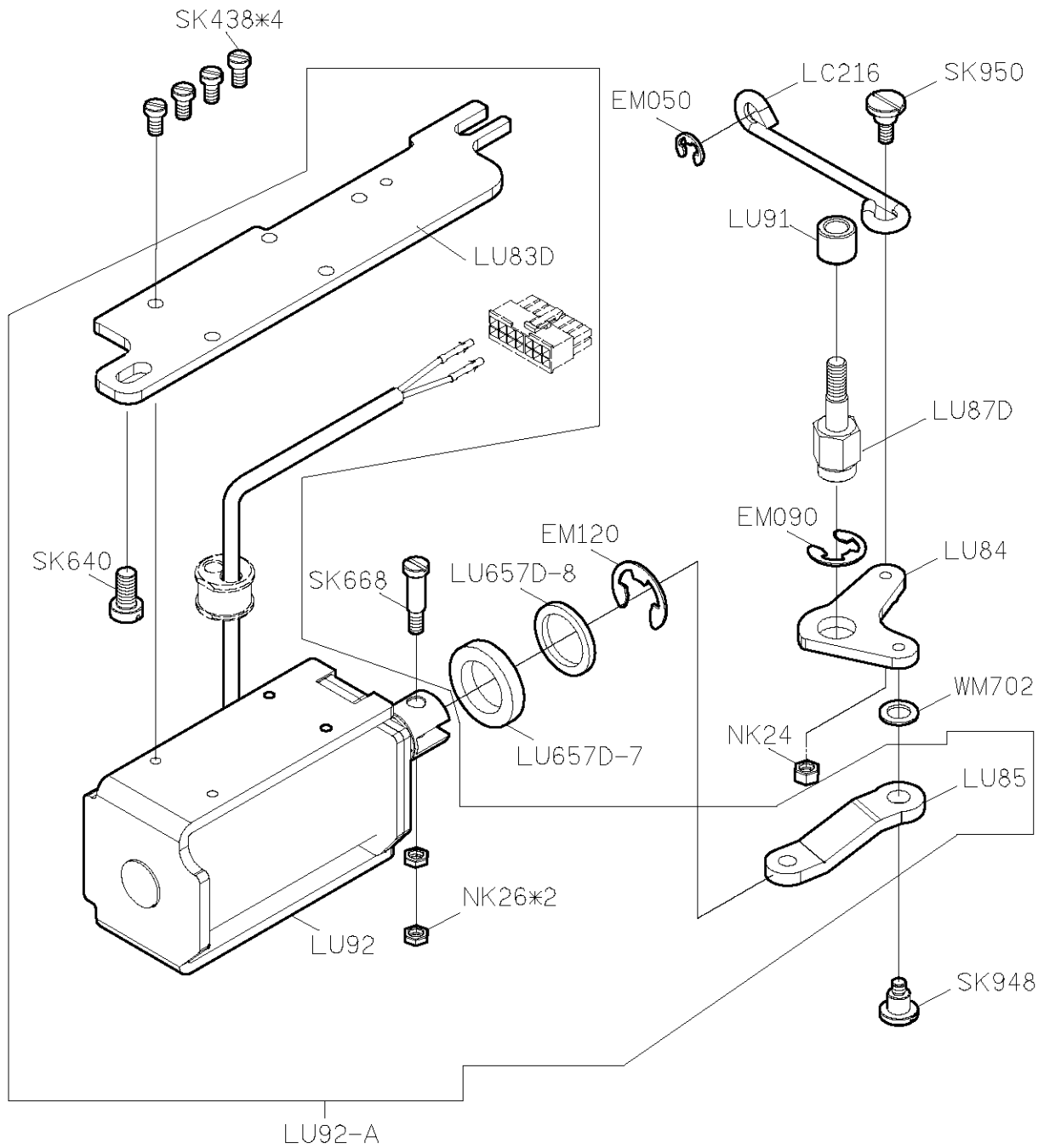
<b>SIRUBA</b> <b>PARTS LIST</b>	<b>Series</b>	<b>Parts Group</b>	<b>Subclass / Remark</b>	<b>Page</b>
	<b>L918U-DM1</b>	<b>LU</b>		<b>6/7</b>
				<b>Date</b>
				<b>2012/11/01</b>



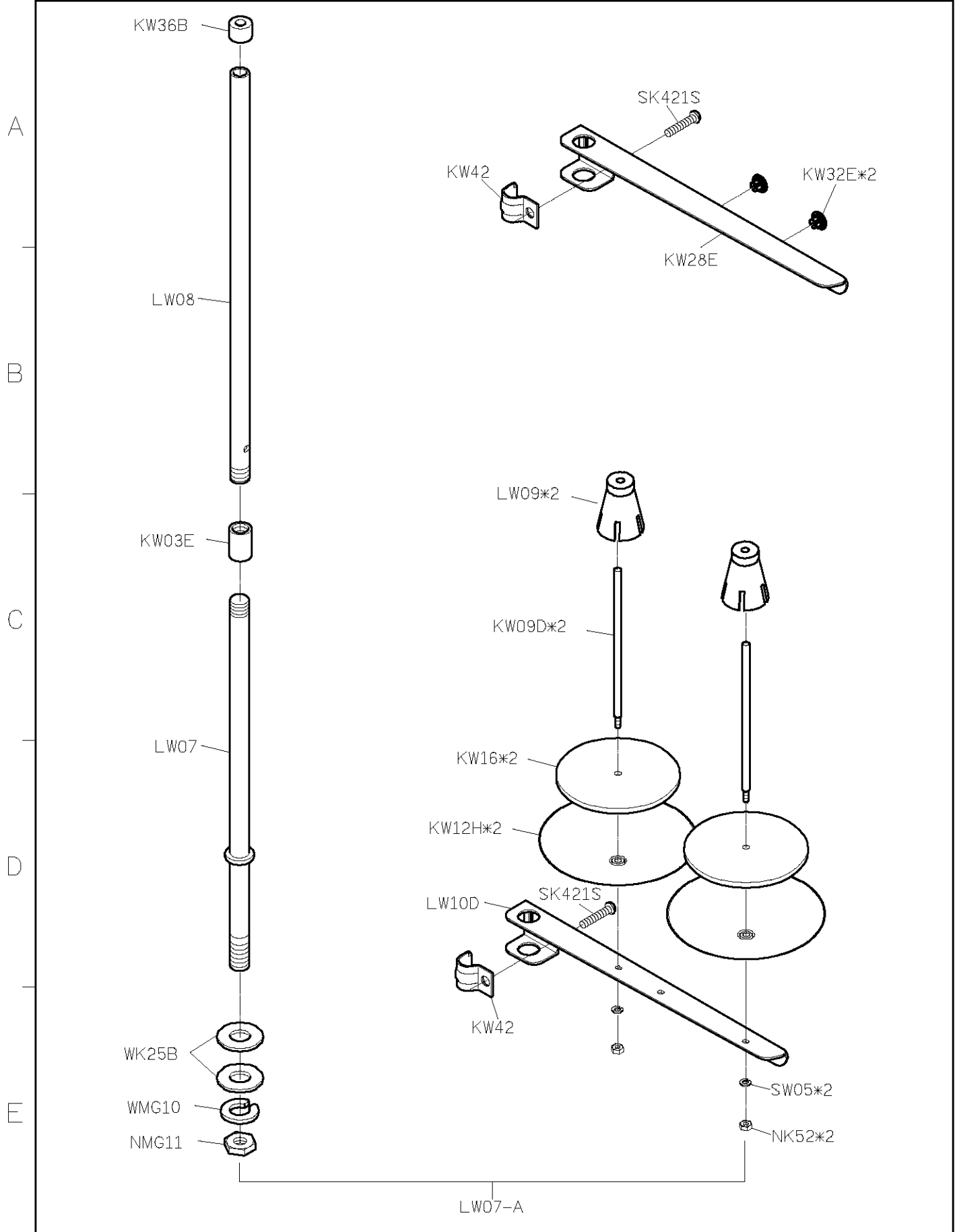
代碼 NO.	操作面板 Control Panel	代碼 NO.	自動切線 Auto THREAD Trimmer	快速倒縫 Reverse Feeding	撥線桿 Wiper	自動抬押具 Auto Lifer
1	L-900	0	√	√	-	-
		1	√	√	√	-
		2	√	√	-	√
		3	√	√	√	√

SIRUBA PARTS LIST	Series	Parts Group	Subclass / Remark	Page
	L918U-DM1	LU		7/7
				Date
				2012/12/20

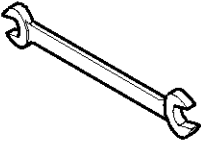

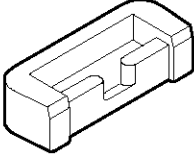
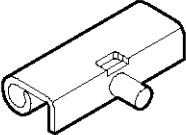

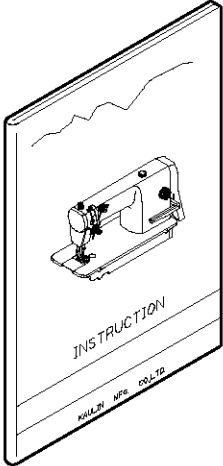
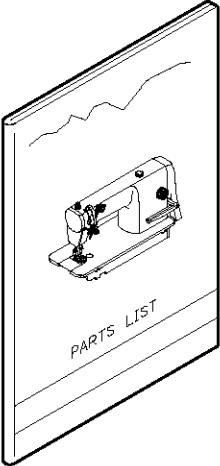

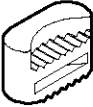



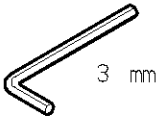

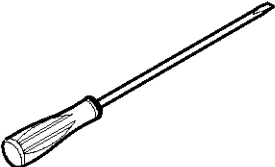
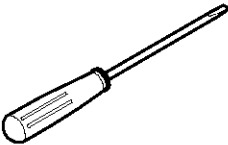
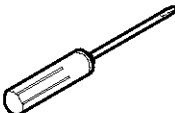

A  
B  
C  
D  
E



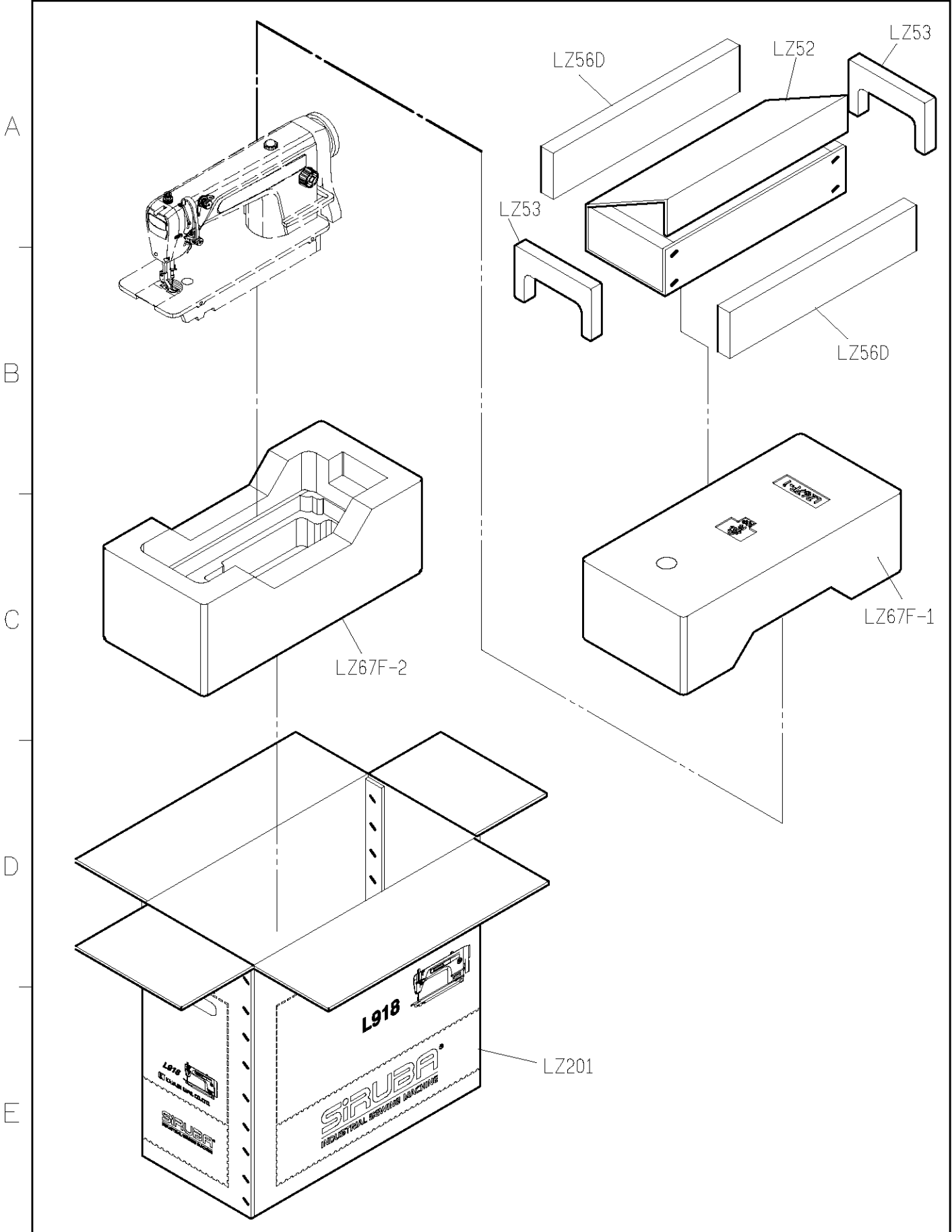
SIRUBA PARTS LIST	Series	Parts Group	Subclass / Remark	Page
	L918U-DM1	LW		1/1
				Date
				2013/04/10



<b>SIRUBA</b> <b>PARTS LIST</b>	<b>Series</b>	<b>Parts Group</b>	<b>Subclass / Remark</b>	<b>Page</b>
	<b>L918U-DM1</b>	<b>LY</b>		<b>1/1</b>
				<b>Date</b>
				<b>2012/11/01</b>

	LY01	LY02	YM04*2	LY05*2	YM102*2
A					
	LY218	LY227	LY37-A	YM103*2	
B					
				G3XX	
C					
	針*2	LY38	MY11	KZ03*1	
D					
	LY33	LY34	LY35	KY201	
E					
	1	2	3	4	5

SIRUBA PARTS LIST	Series	Parts Group	Subclass / Remark	Page
	L918U-DM1	LZ		1/1
				Date 2012/12/22



1 2 3 4 5

SIRUBA TABLE CUT - OUT	Series	Item Code	Subclass / Remark	Mounting
	L818D/L917 L918/L918U L819/L819U	L918-T1		Fully-submerged
				Date
				2013/01/01

