


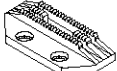
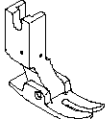

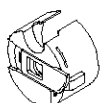


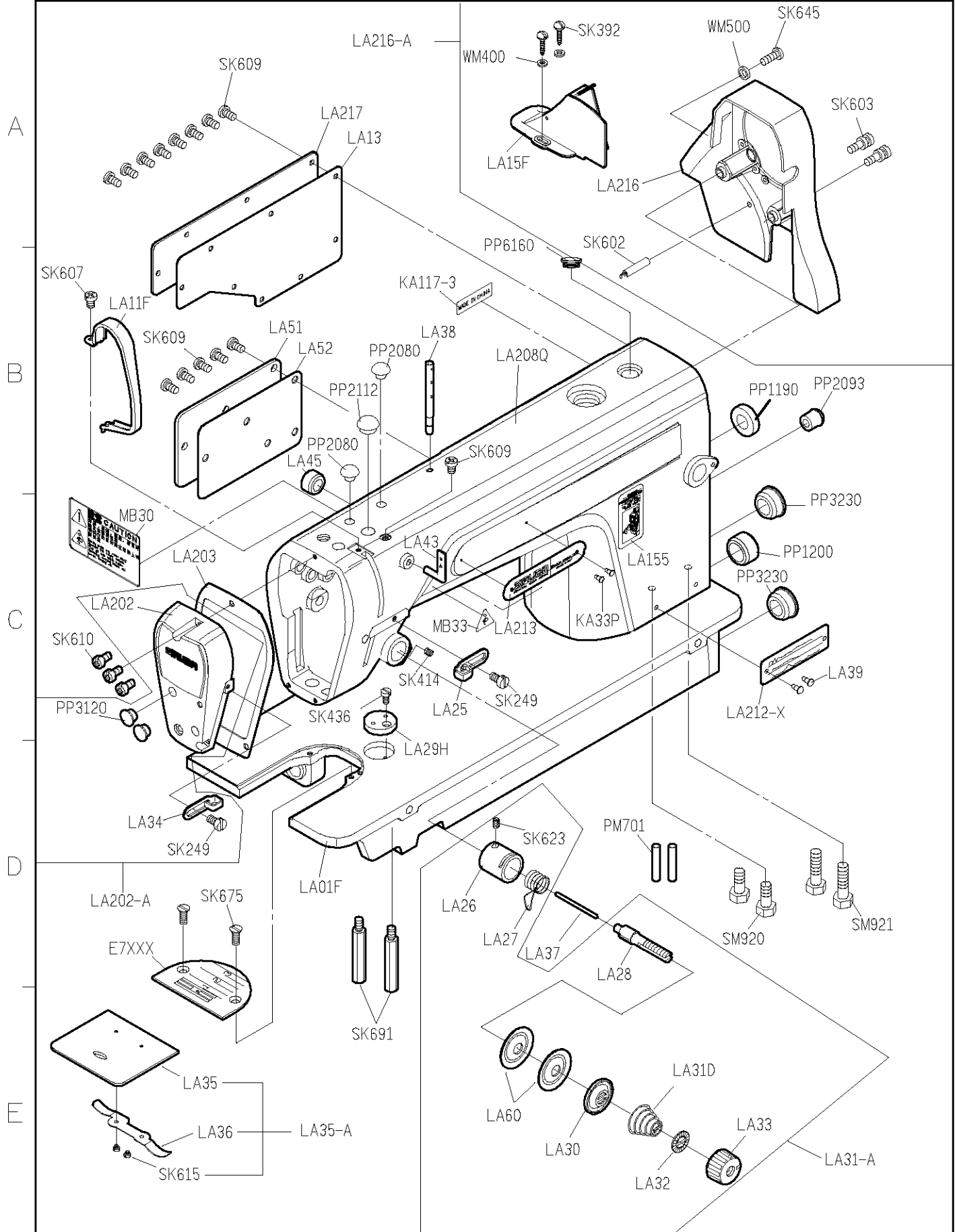


SIRUBA GAGE PARTS LIST	Series	Remark	Page	Date
	L918	DM1	1 / 1	2012/11/01

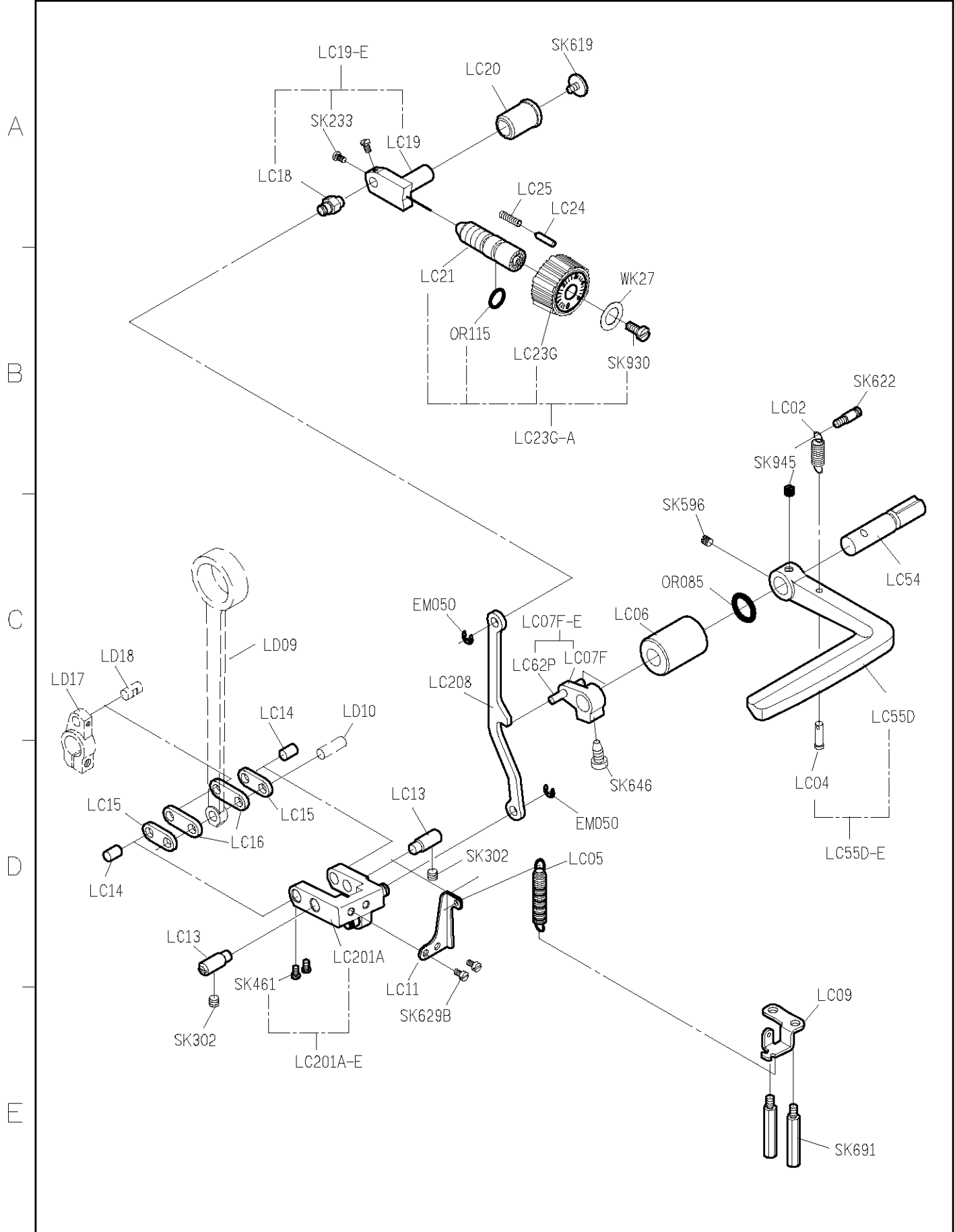
L918-DM1規格件表 / CONVERSION CHART

								
MODEL	SUB-CLASS	NEEDLE PLATE	FEED DOG	PRESSER FOOT	HOOK ASM	BOBBIN CASE ASM	BOBBIN	NEEDLE
機 型	規 格	針 板	送 具	押 具	梭 頭	梭 殼	梭 子	針 號
L918-DM1	半無油式 中厚布料	E704	D701	P701	G111	G201	G301	DBX1#14
L918-DM1A		E704D	D702					

SIRUBA PARTS LIST	Series	Parts Group	Subclass / Remark	Page
	L918-DM1	LA		1/1
				Date
				2012/11/01

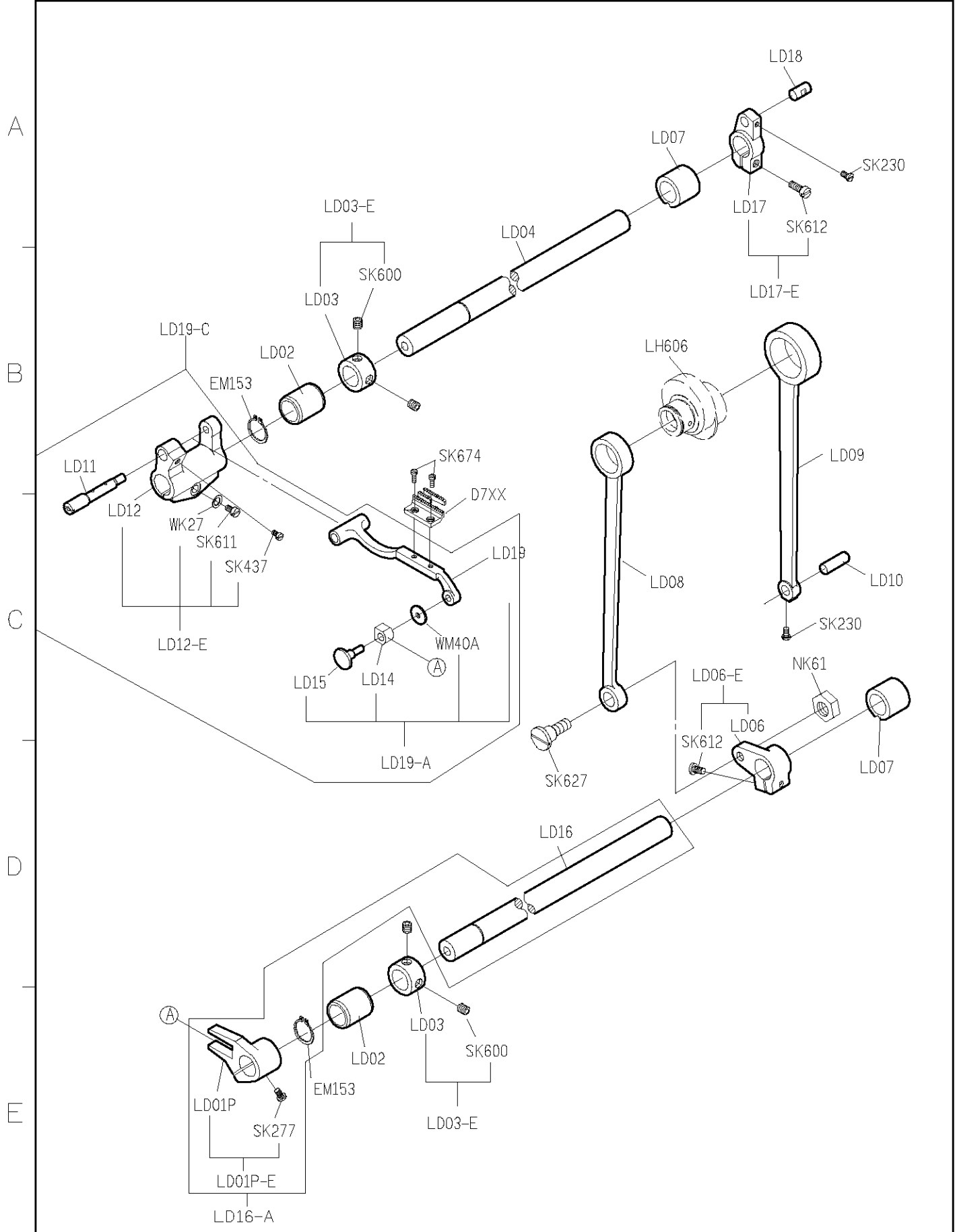


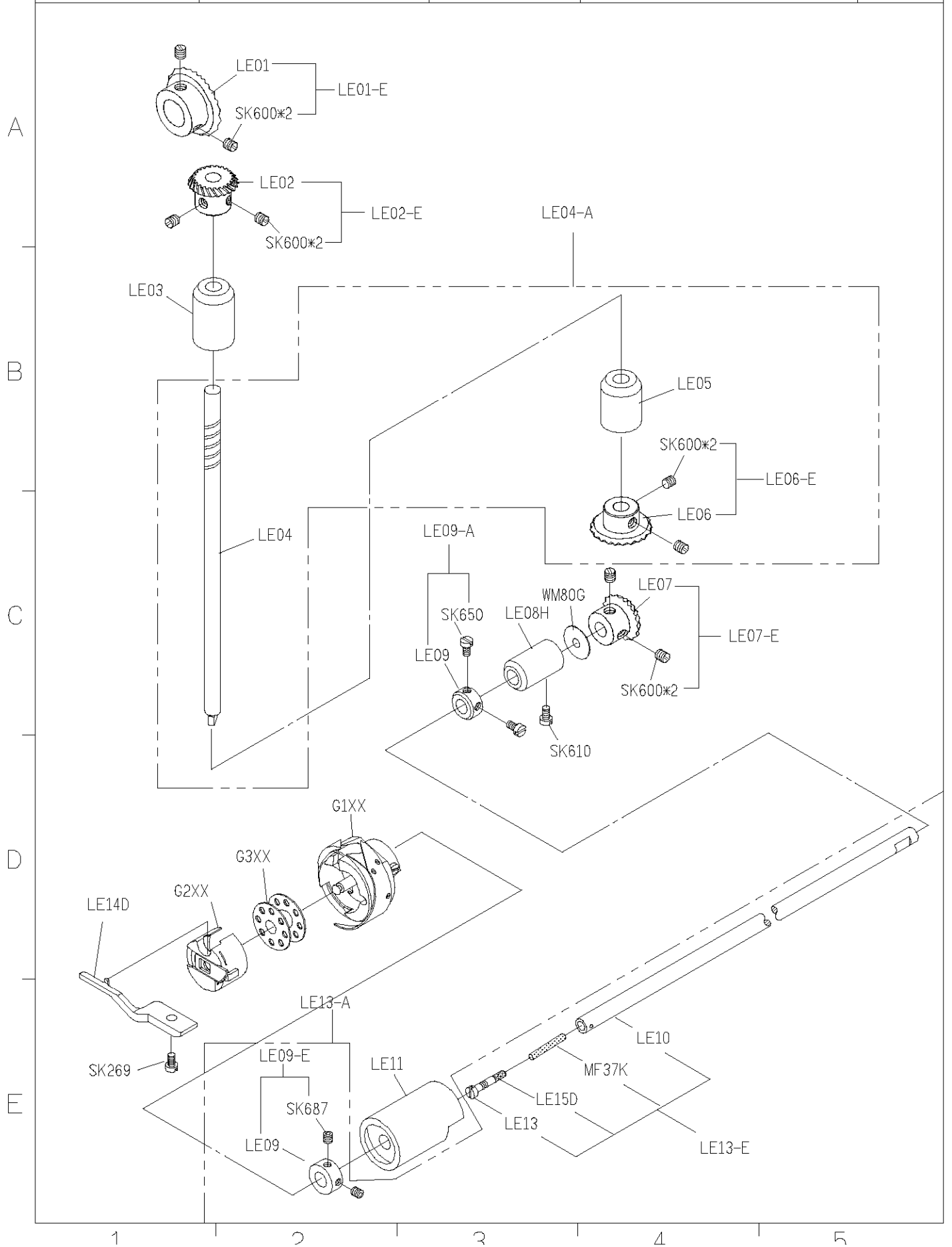
SIRUBA PARTS LIST	Series	Parts Group	Subclass / Remark	Page
	L918-DM1	LC		1/1
				Date
				2015/2/5



1 2 3 4 5

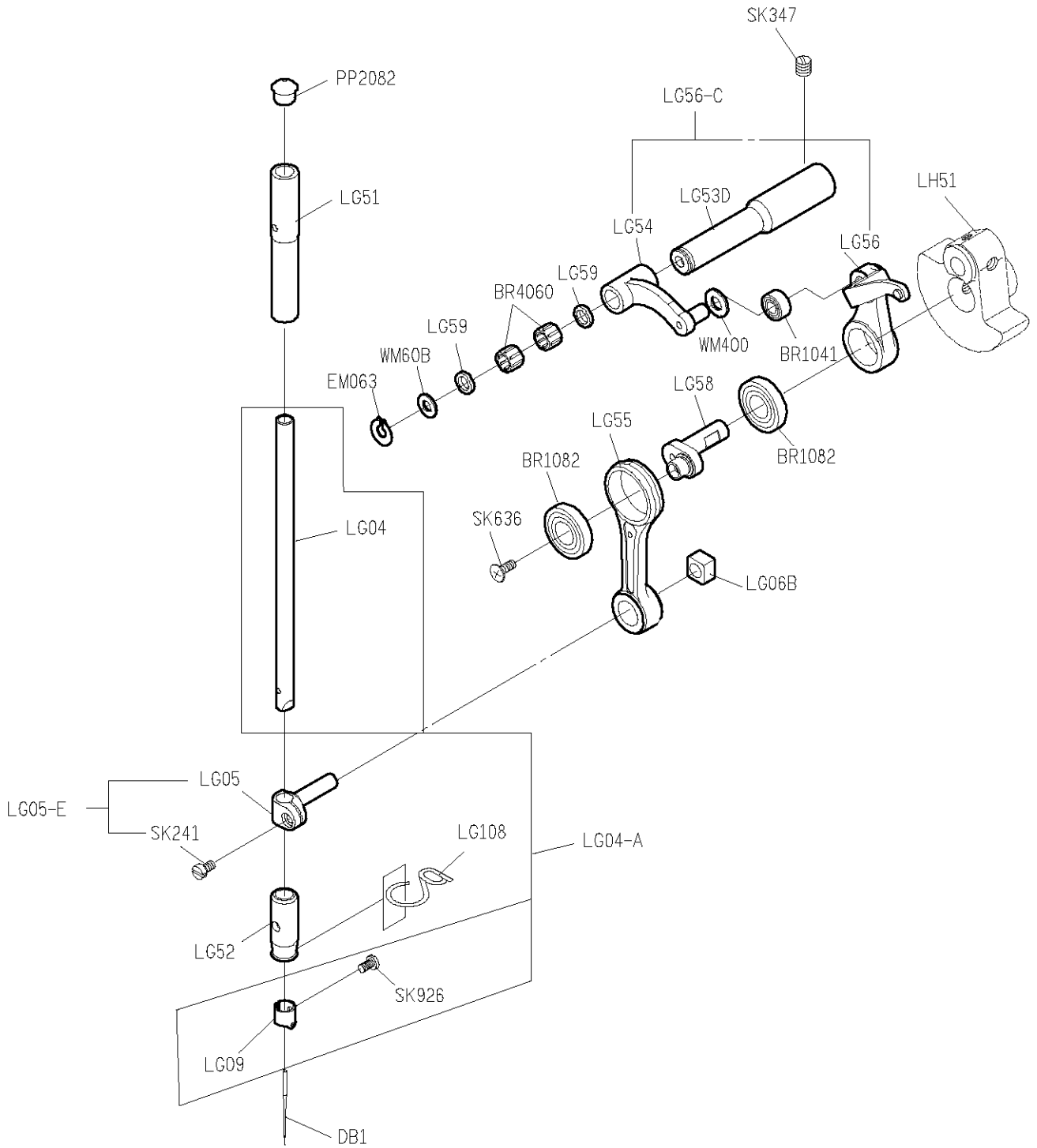
SIRUBA PARTS LIST	Series	Parts Group	Subclass / Remark	Page
	L918-DM1	LD		1/1
				Date
				2012/11/01



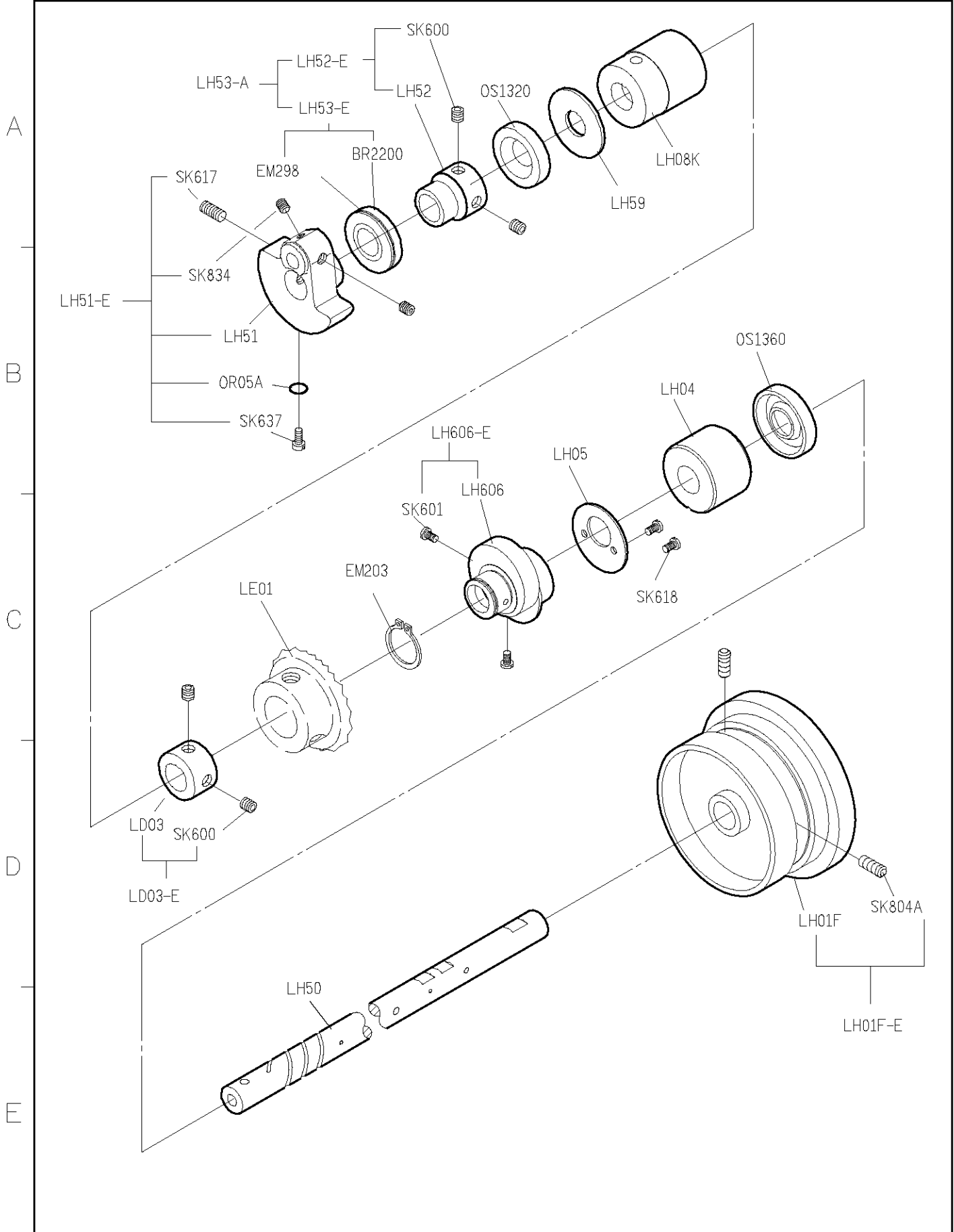


SIRUBA PARTS LIST	Series	Parts Group	Subclass / Remark	Page
	L918-DM1	LG		1/1
				Date
				2012/11/01

A
B
C
D
E



SIRUBA PARTS LIST	Series	Parts Group	Subclass / Remark	Page
	L918-DM1	LH		1/1
				Date
				2012/11/01



SIRUBA

PARTS LIST

Series

L918-DM1

Parts Group

LL

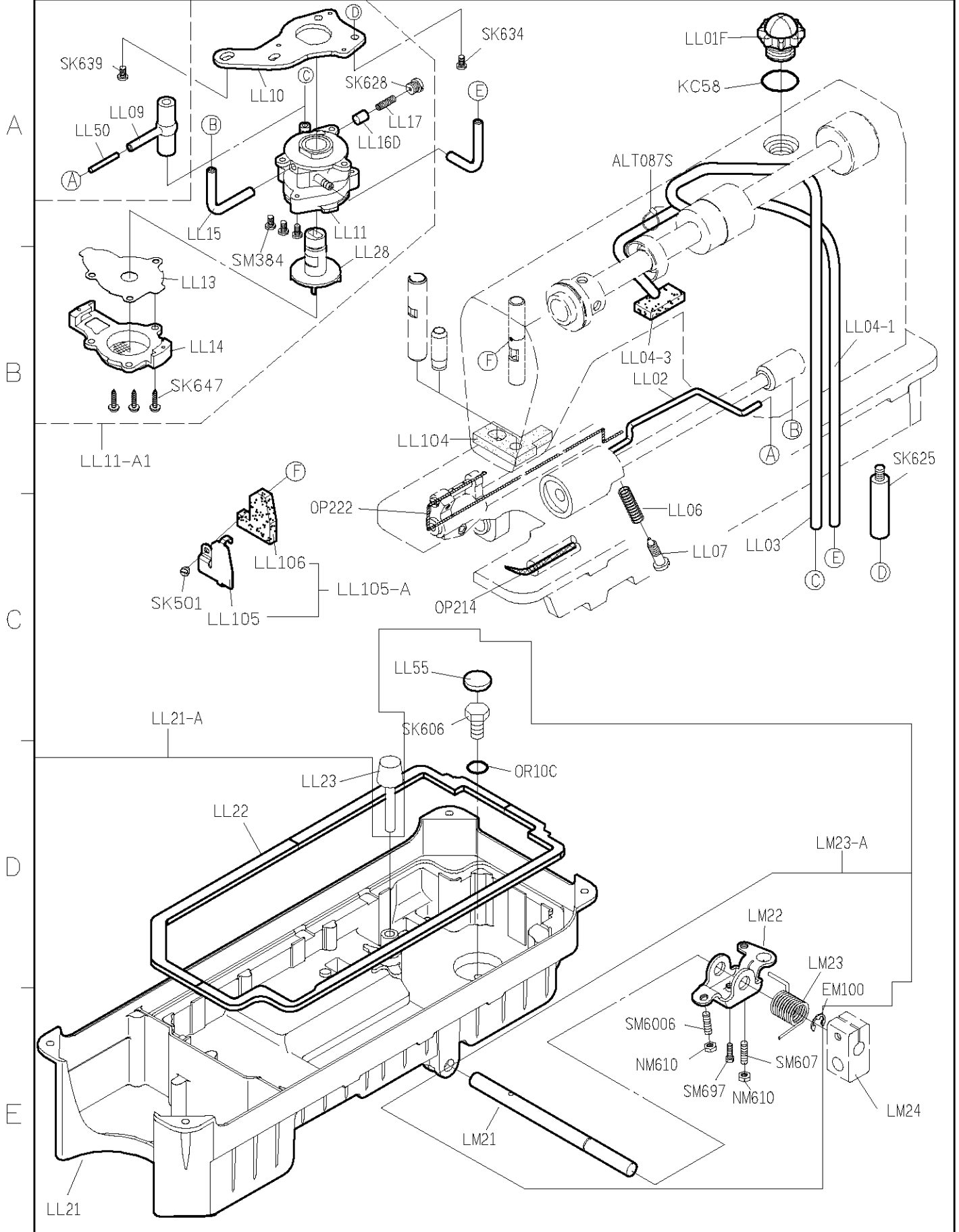
Subclass / Remark

Page

1/1

Date

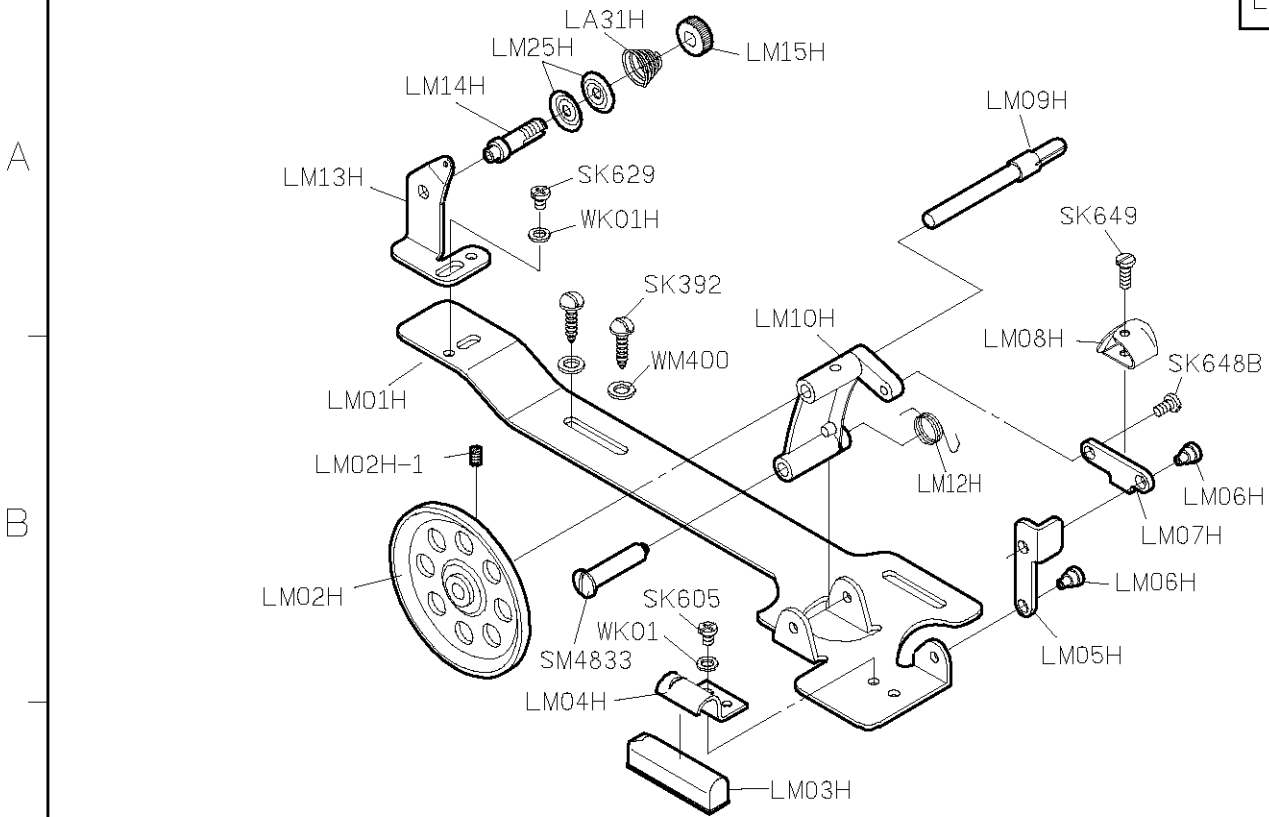
2015/03/24



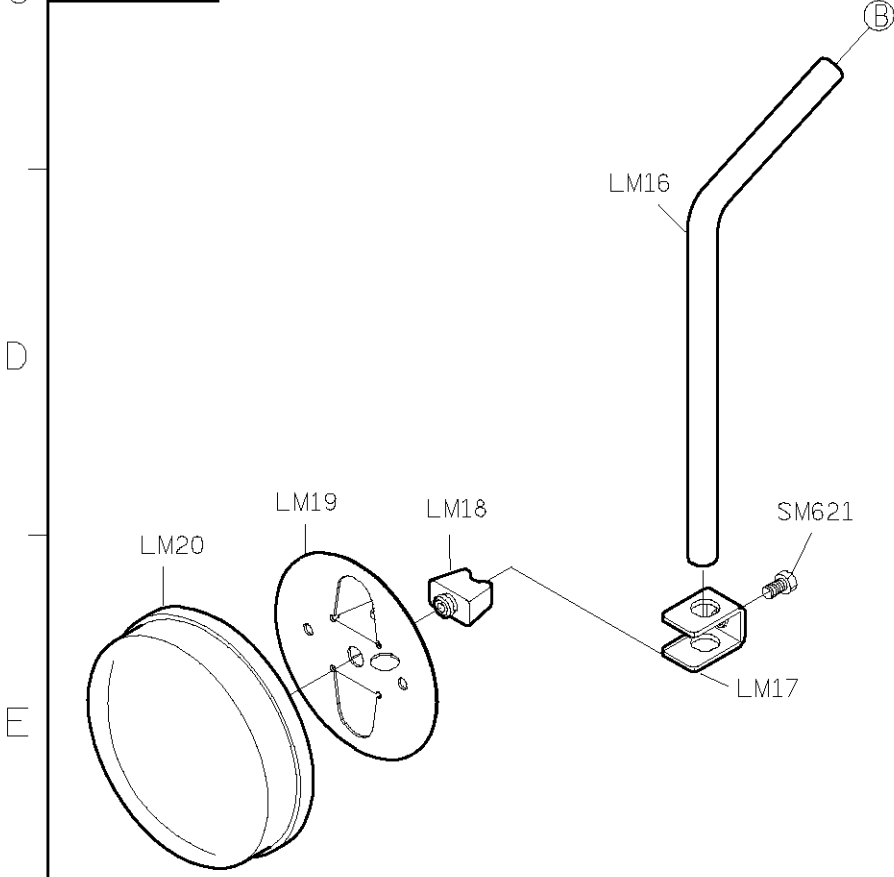
1 2 3 4 5

SIRUBA PARTS LIST	Series	Parts Group	Subclass / Remark	Page
	L918-DM1	LM		1/1
				Date
				2012/11/01

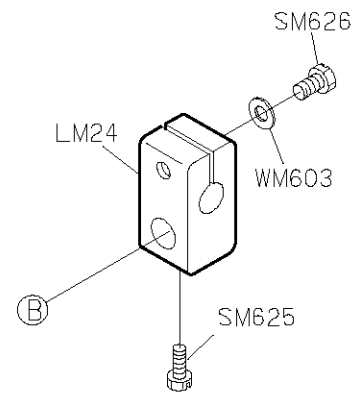
LM01H-A



LM20-A

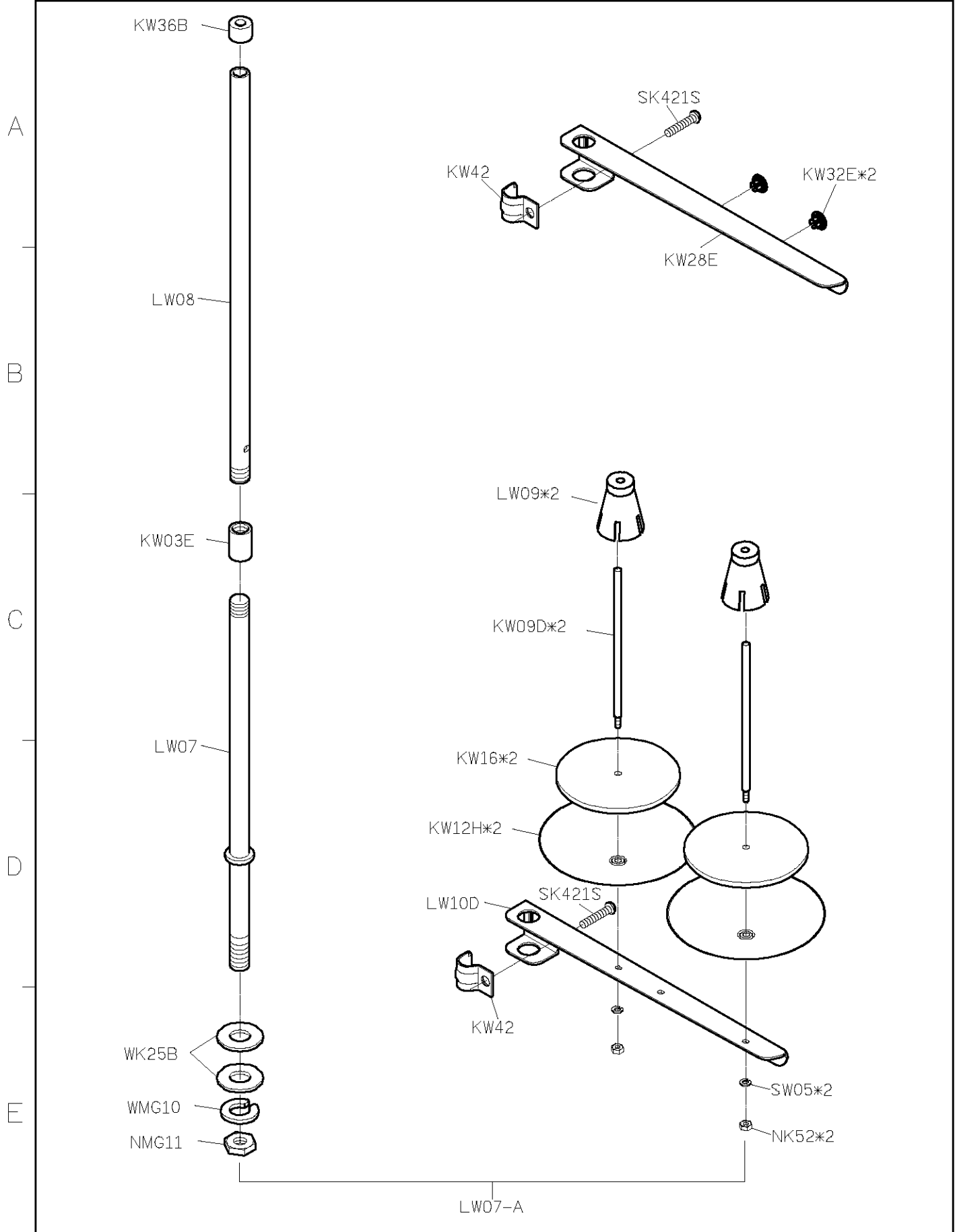


LM24-E

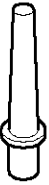
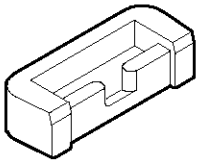
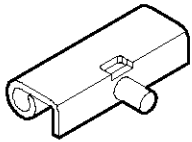

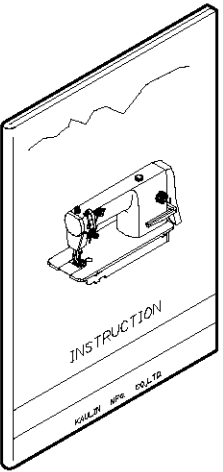
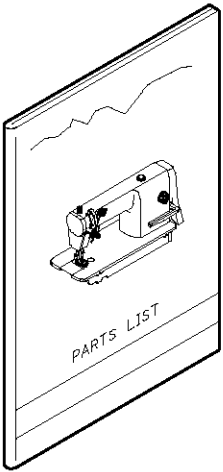

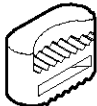


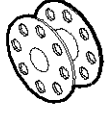
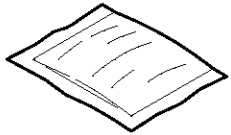
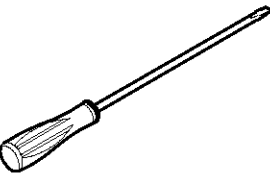
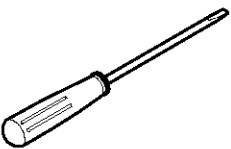
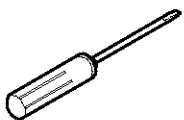



1 2 3 4 5

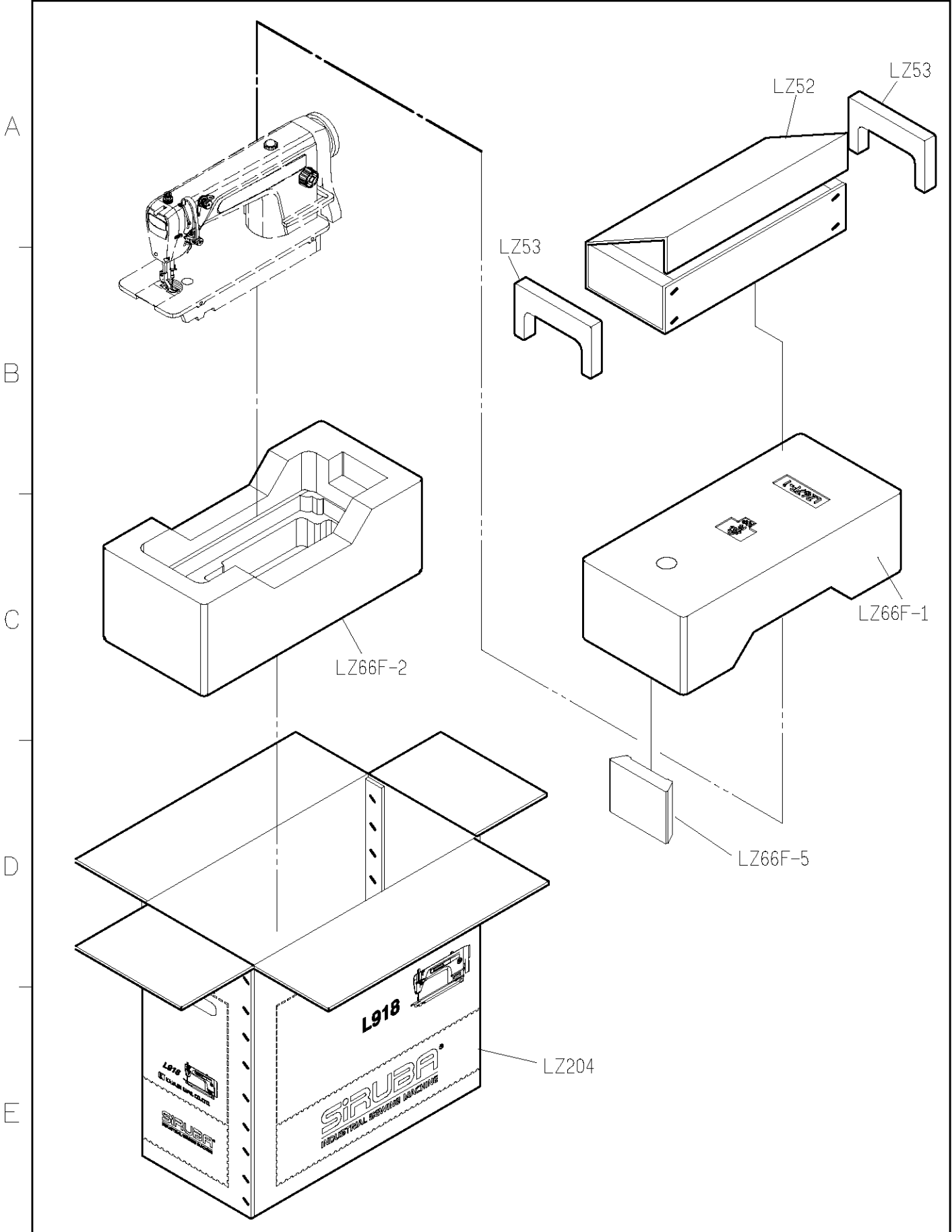
SIRUBA PARTS LIST	Series	Parts Group	Subclass / Remark	Page
	L918-DM1	LW		1/1
				Date
				2013/04/10



SIRUBA PARTS LIST	Series	Parts Group	Subclass / Remark	Page
	L918-DM1	LY		1/1
				Date
				2012/11/01

A	LY02 	YM04*2 	LY05*2 	YM102*2 
B	LY218 	LY226 	LY37-A 	YM103*2 
C				
D	針*2 	LY38 	G3XX 	KZ03*1 
E	LY33 	LY34 	LY35 	KY201 

SIRUBA PARTS LIST	Series	Parts Group	Subclass / Remark	Page
	L918-DM1	LZ		1/1
				Date
				2012/11/01



1 2 3 4 5

SIRUBA TABLE CUT - OUT	Series	Item Code	Subclass / Remark	Mounting
	L818D/L917 L918/L918U L819/L819U	L918-T1		Fully-submerged
				Date
				2013/01/01

