

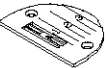
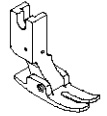











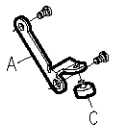


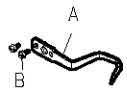
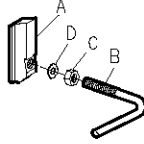
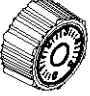
SIRUBA GAGE PARTS LIST	Series	Remark	Page	Date
	L918U	BM1/BH1	1 / 1	2013/01/01

L918U-BM/BH規格件表 CONVERSION CHART

										
MODEL	SUB-CLASS	OPERATING PANEL	NEEDLE PLATE	FEED DOG	PRESSER FOOT	HOOK ASM	BOBBIN CASE ASM	BOBBIN	NEEDLE	HAND WHEEL
機 型	規 格	操作盒	針 板	送 具	押 具	梭 頭	梭 殼	梭 子	針 號	手 輪
L918-BM1-10 ~ L918-BM1-13	薄中布 至 厚布料	L-900	E704	D701	P701	G121	G202	G303	DBX1#14	LH101-A1
L918-BM1A-10 ~ L918-BM1A-13			E704D	D702	P701	G121	G202	G303	DBX1#14	
L918-BH1-10 ~ L918-BH1-13	厚布料		E711	D711	P711	G125J	G202	G303	DBX1#21	
L918-BH1A-10 ~ L918-BH1A-13			E711D	D711D	P711D	G125J	G202	G303	DBX1#21	

SIRUBA MODEL COMPARE LIST	Series	Remark								Page	Date
	L918U	BM1/BH1								1/2	2012/11/01

L918U 型別件表

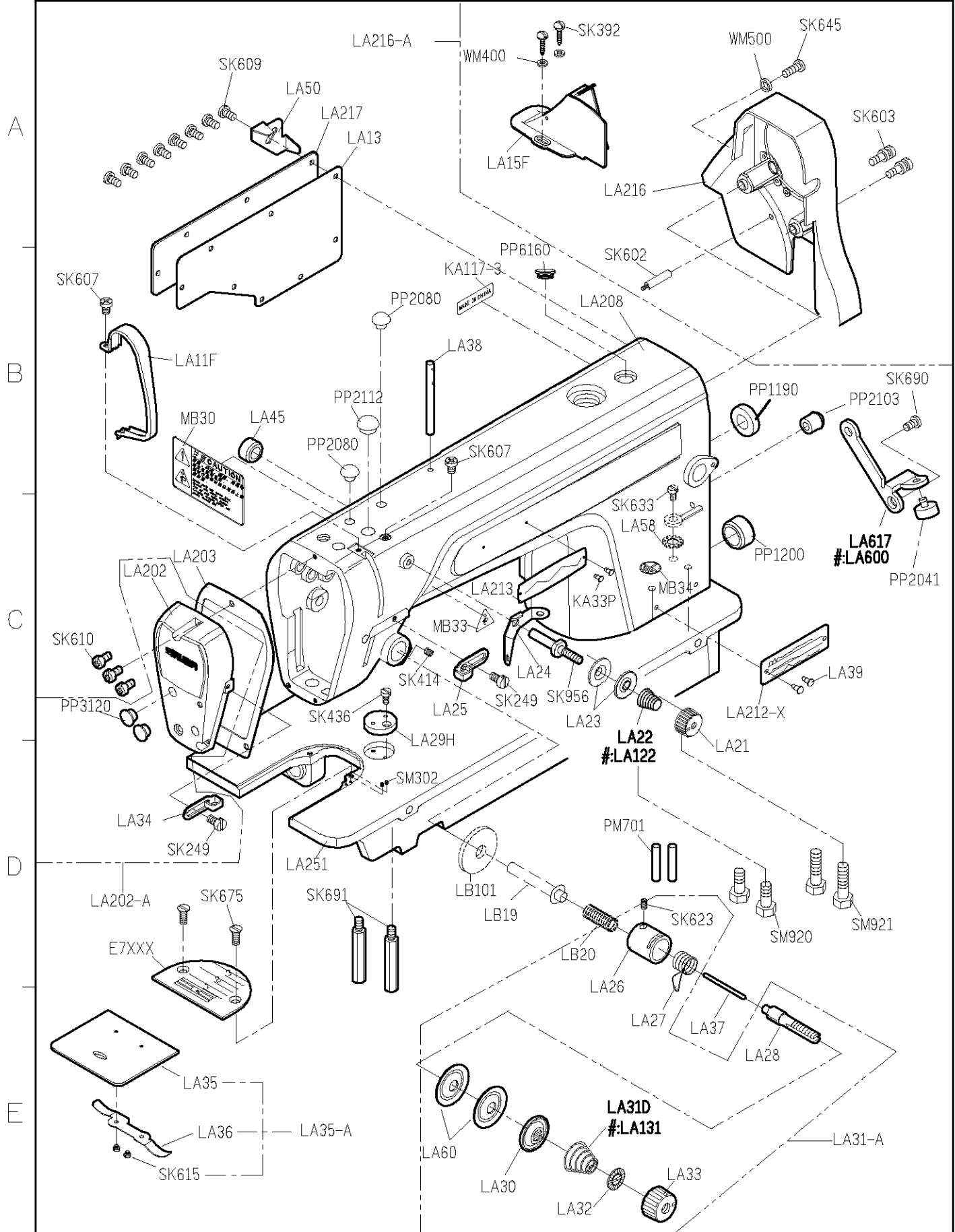
											
MODEL	SUB-CLASS	SPRING	SPRING	NEEDLE BAR	THREAD GUIDE	BUSING	THRAD TAKE UP LEVER	THREAD GUIDE	THREAD GUIDE BAR	THREAD GUIDE	ADJUSTING KNOB
機 型	規 格	控線彈簧	控線彈簧	針棒	固定片	襯套	天秤	導線片	導線桿	導線環片	調整旋鈕
BM-XX	薄布料 ~ 中厚料	LA31	LA22	LG104H LG04	A LA617	LG07	LG13	A LB06	-	LG09	LC623G
					B SK690			B SK241			
					C LU38						
BH-XX	中厚料 ~ 厚布料	LA131	LA122	LG104	A LA600	LG107	LG113	-	A LB100	LG109	LC600G
					B SK690			B LB106			
					C LU38			C NK23			
									D WK09		

SIRUBA MODEL COMPARE LIST	Series	Remark	Page	Date
	L918U	BM1/BH1	2/2	2013/06/10

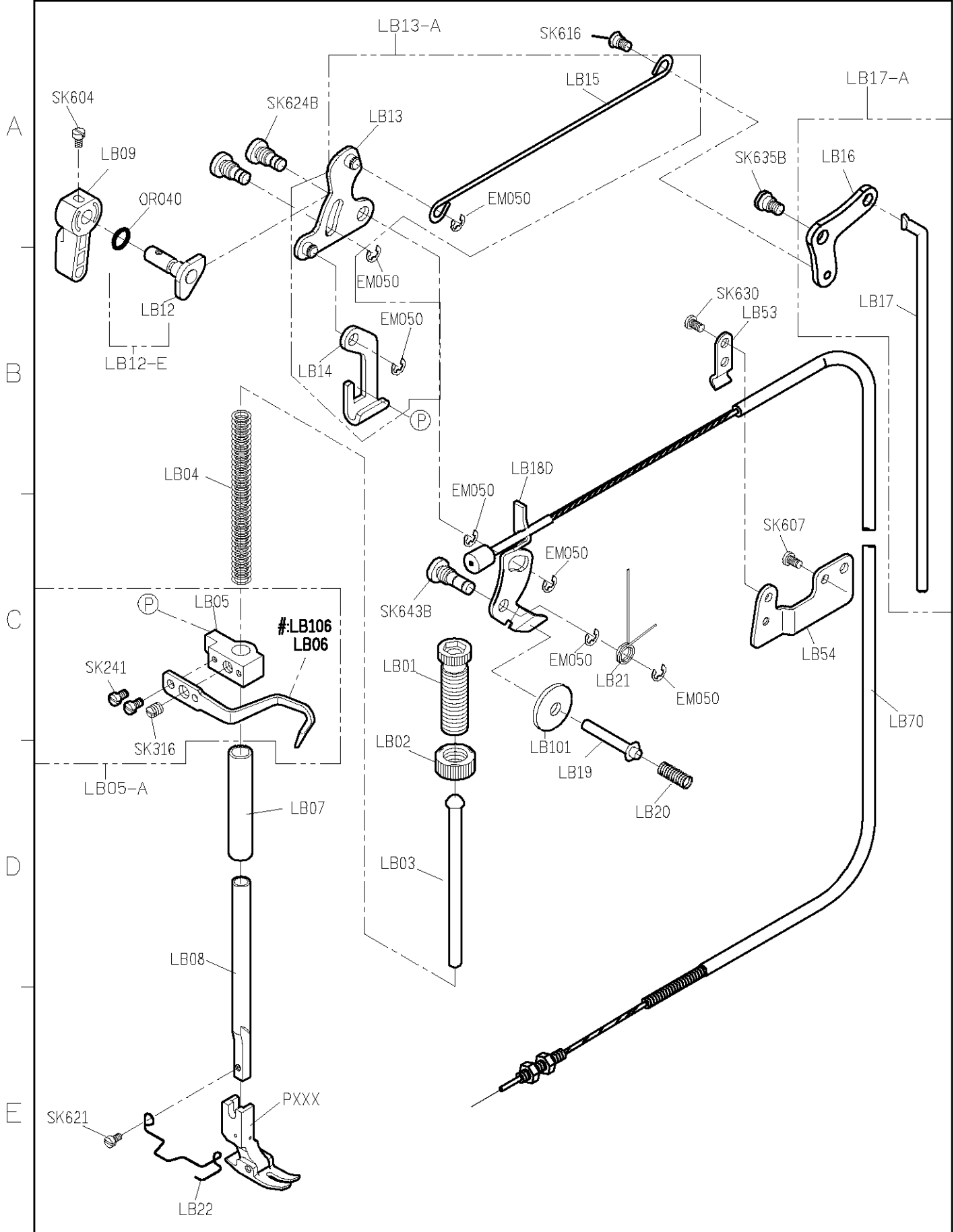
L918U 型別件表

								
MODEL	SUB-CLASS	CRANK SHAFT	FIXED PIN	COVER				
機 型	規 格	曲軸	固定銷	護蓋				
BM-XX	薄布料 ~ 中厚料	LG15	LC13	A	LG01			
				B	SK219			
BH-XX	中厚料 ~ 厚布料	LG615	LC613	A	LG101			
				B	SK501			

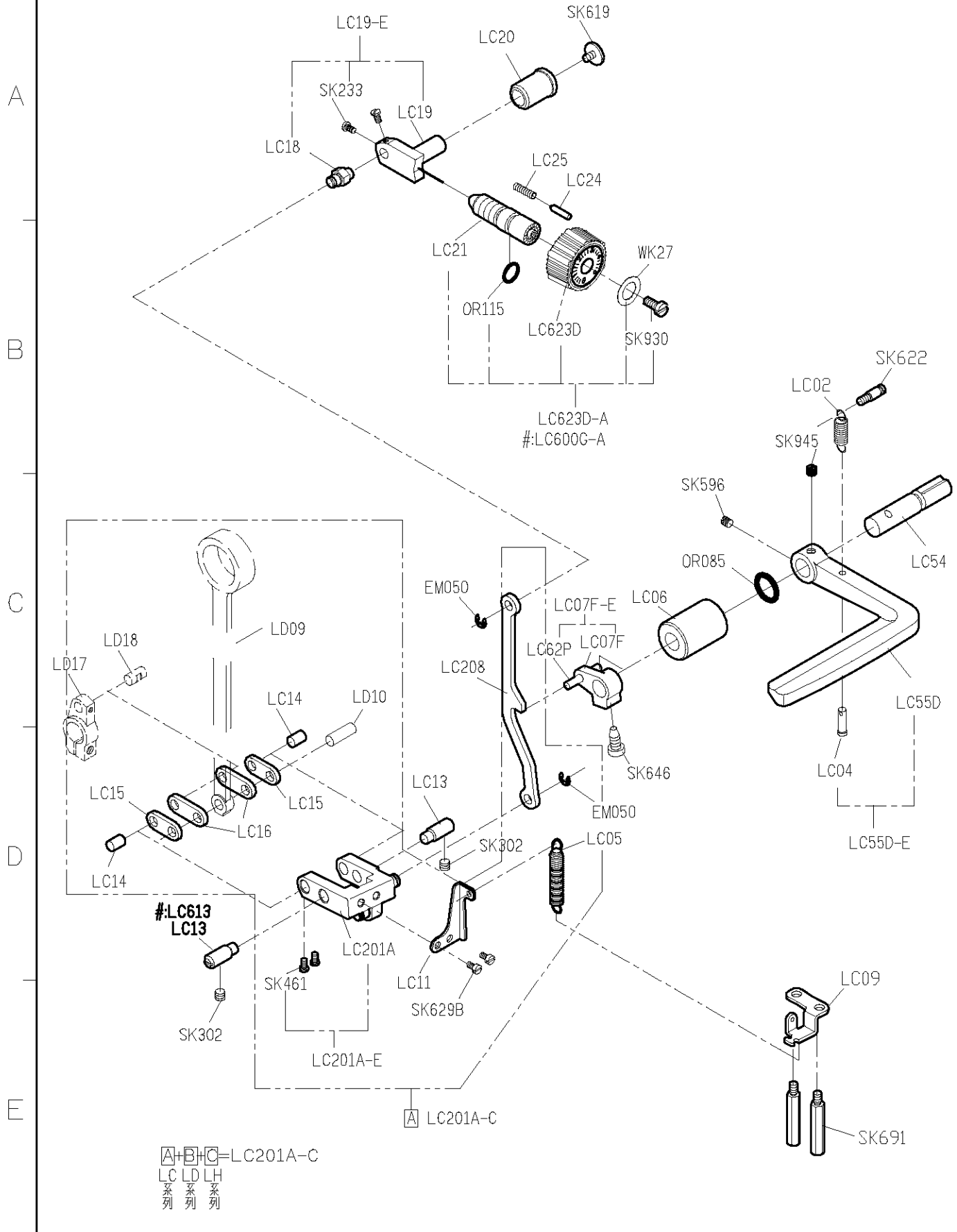
SIRUBA PARTS LIST	Series	Parts Group	Subclass / Remark	Page
	L918U-BM1/BH1	LA	#:Use for BH1	1/1
				Date
				2012/11/01



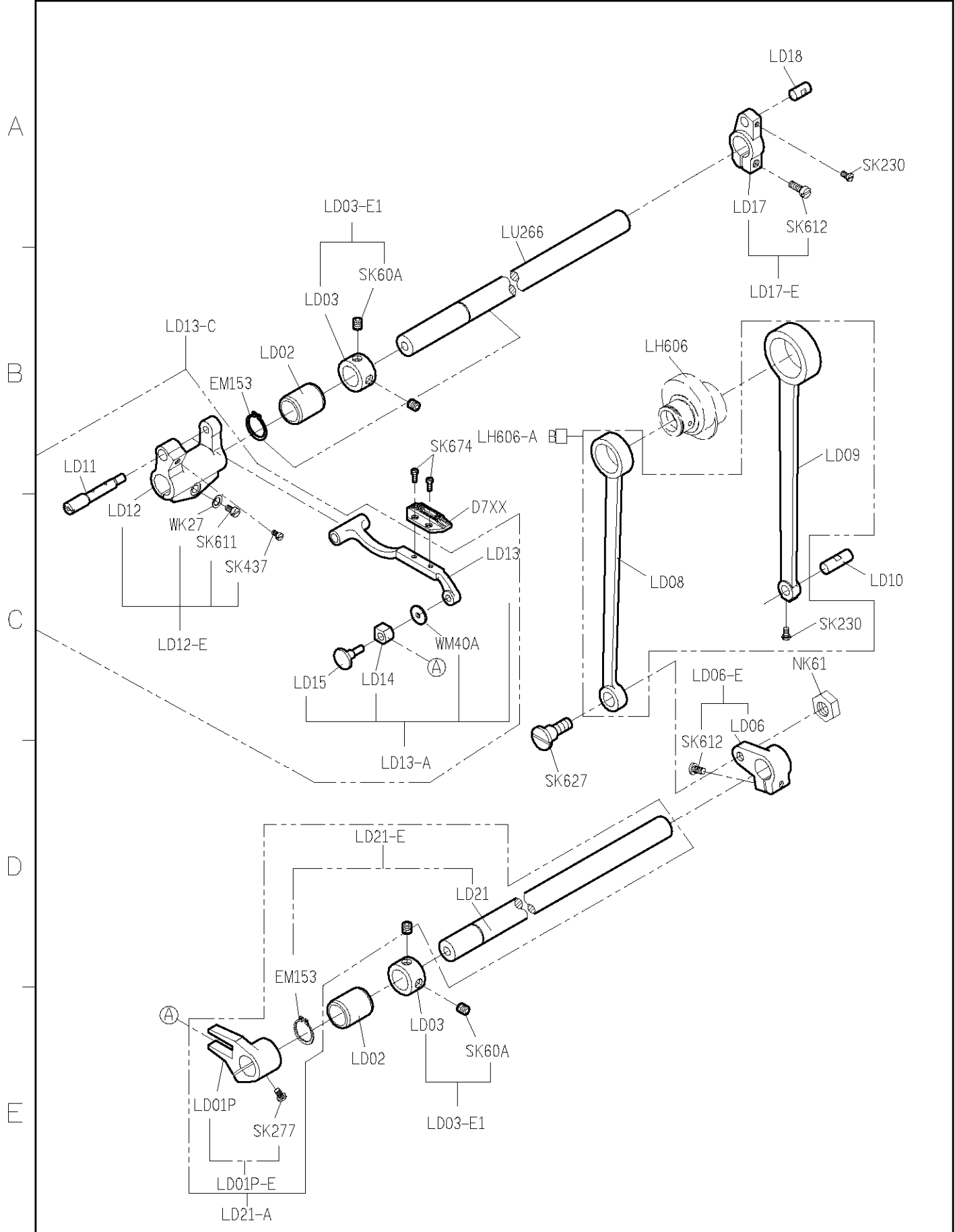
SIRUBA PARTS LIST	Series	Parts Group	Subclass / Remark	Page
	L918U-BM1/BH1	LB	#:Use for BH1	1/1
				Date
				2012/11/01



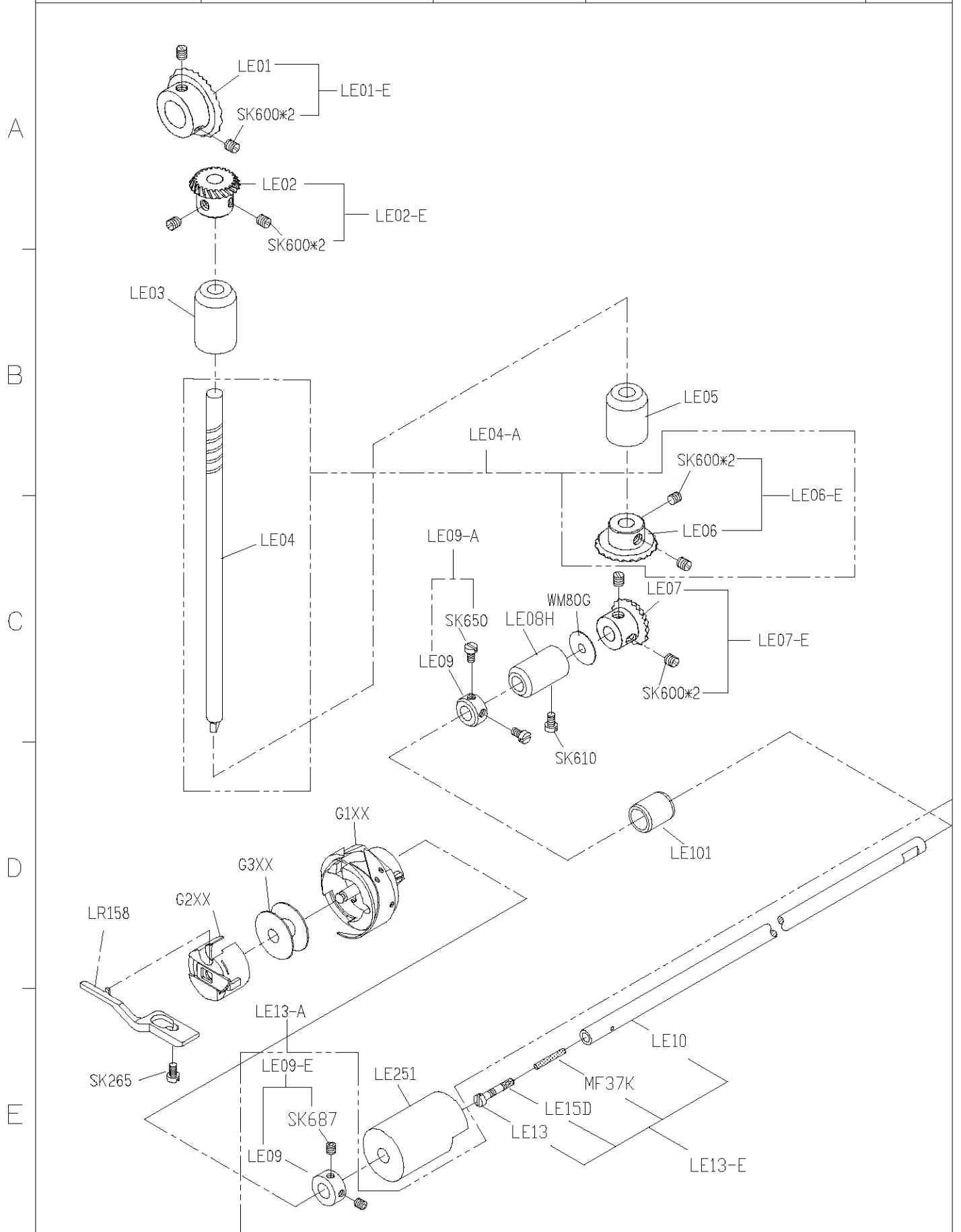
SIRUBA PARTS LIST	Series	Parts Group	Subclass / Remark	Page
	L918U-BM1/BH1	LC	#:Use for BH1	1/1
				Date
				2013/04/01



SIRUBA PARTS LIST	Series	Parts Group	Subclass / Remark	Page
	L918U-BM1/BH1	LD		1/1
				Date
				2012/11/01

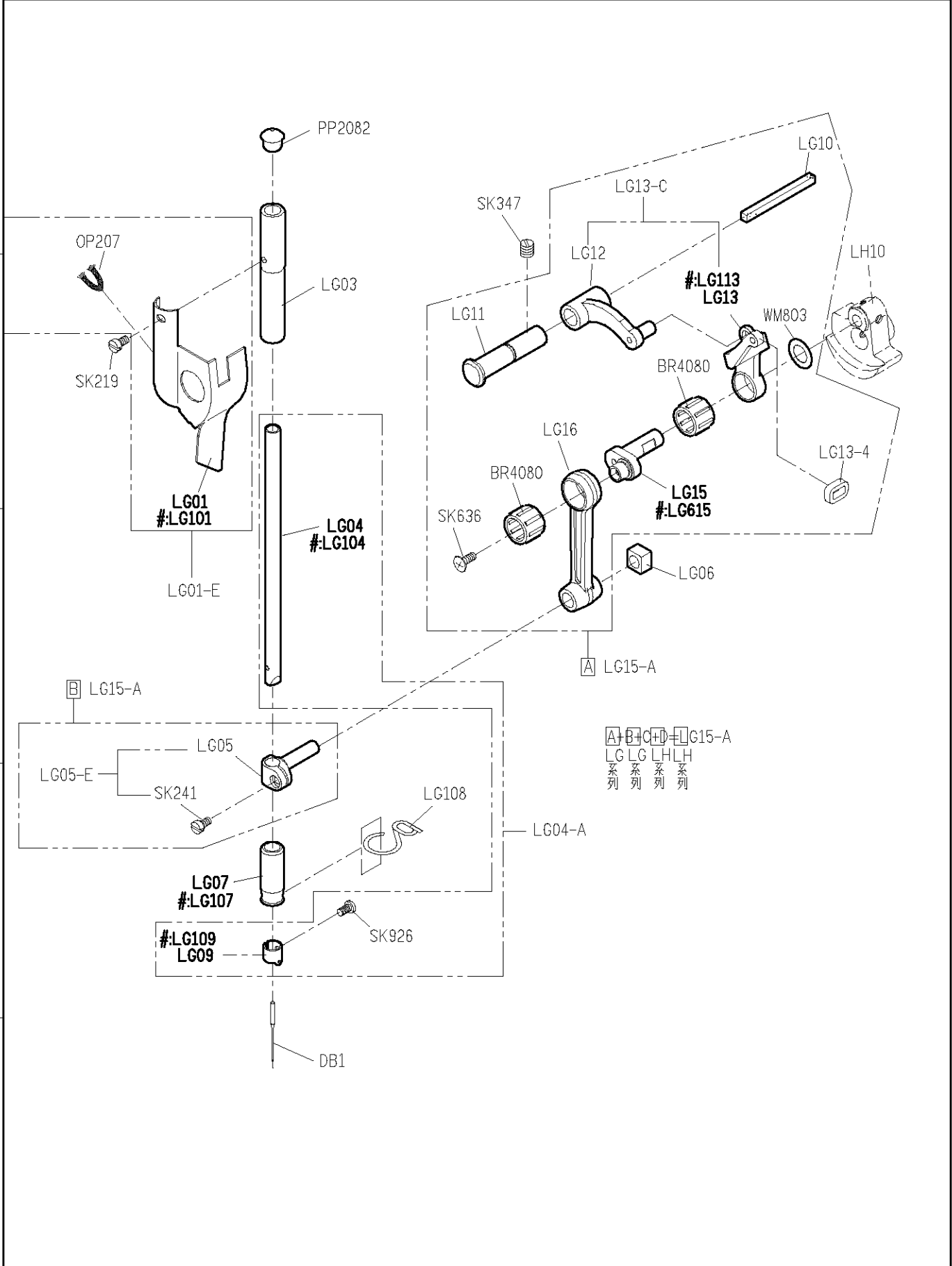


1 2 3 4 5



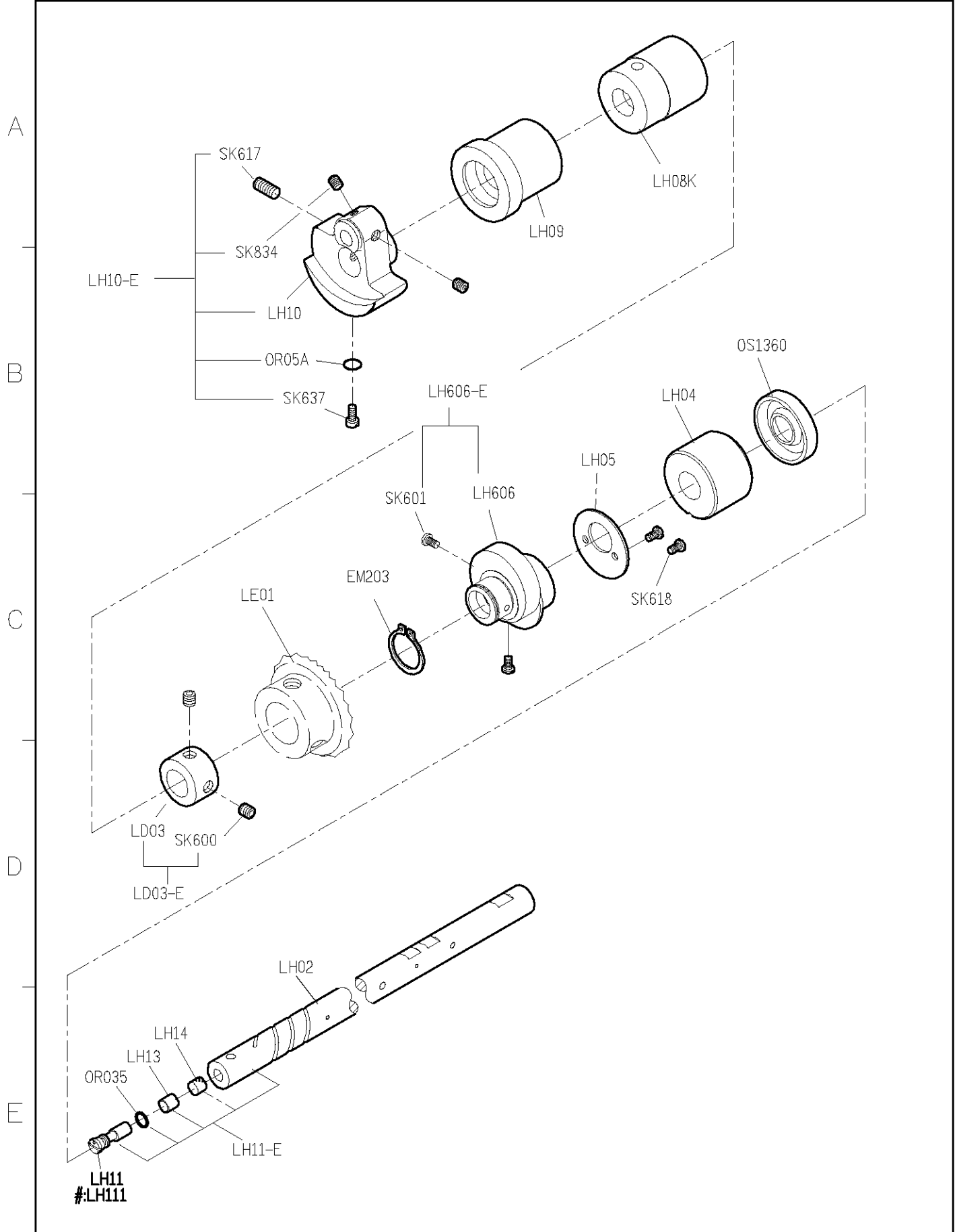
SIRUBA PARTS LIST	Series	Parts Group	Subclass / Remark	Page
	L918U-BM1/BH1	LG	#:Use for BH1	1/1
				Date
				2012/11/01

A
B
C
D
E



1 2 3 4 5

SIRUBA PARTS LIST	Series	Parts Group	Subclass / Remark	Page
	L918U-BM1/BH1	LH	#:Use for BH1	1/2
				Date
				2012/11/01



SIRUBA PARTS LIST	Series	Parts Group	Subclass / Remark	Page
	L918U-BM1/BH1	LH		2/2
				Date
				2012/11/01

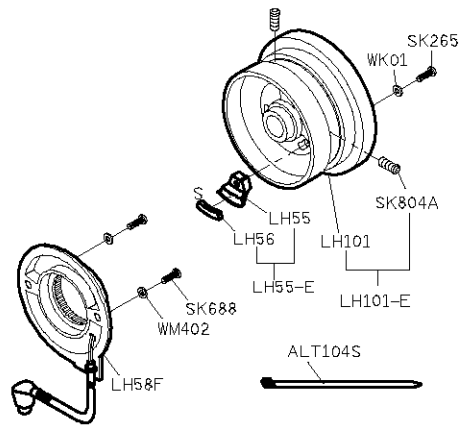
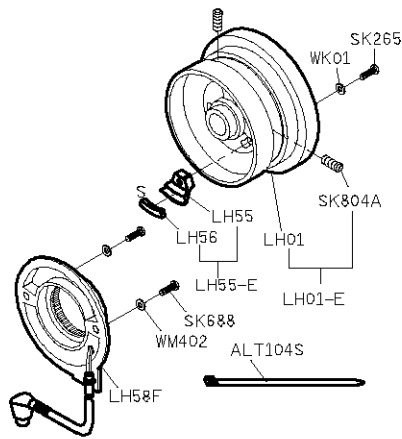
擺動式切刀

旋轉式切刀

A

日廠牌馬達

B



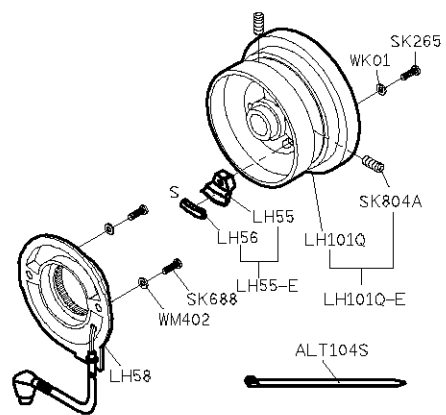
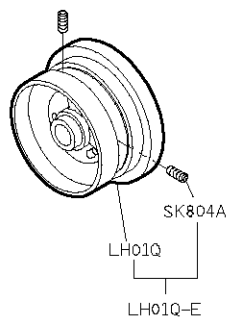
C

LH01-A1

LH101-A1

其他廠牌馬達(可加後拉輪)

D



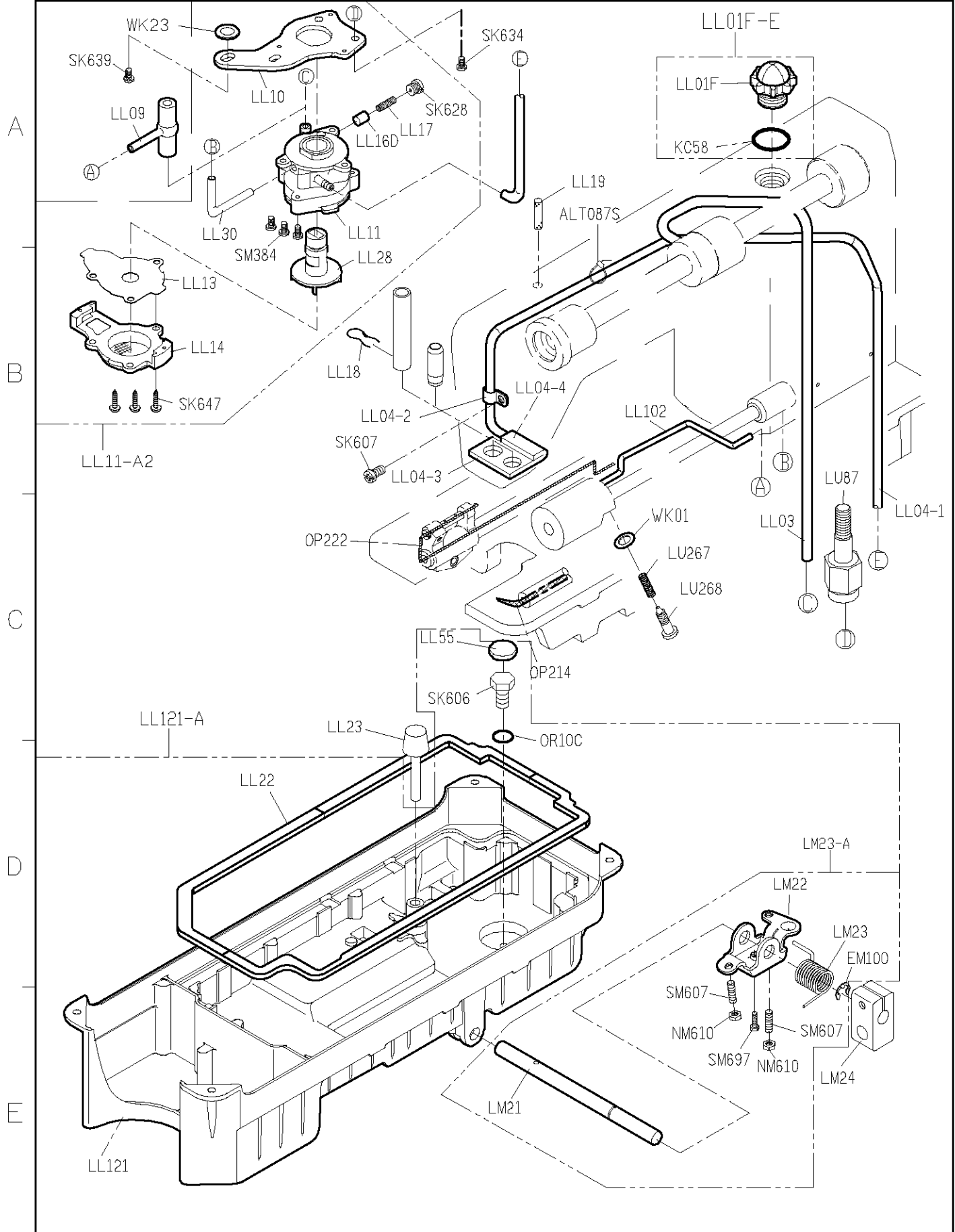
E

LH01Q-E

LH101Q-A1

1 2 3 4 5

SIRUBA PARTS LIST	Series	Parts Group	Subclass / Remark	Page
	L918U-BM1/BH1	LL		1/1
				Date
				2015/03/24

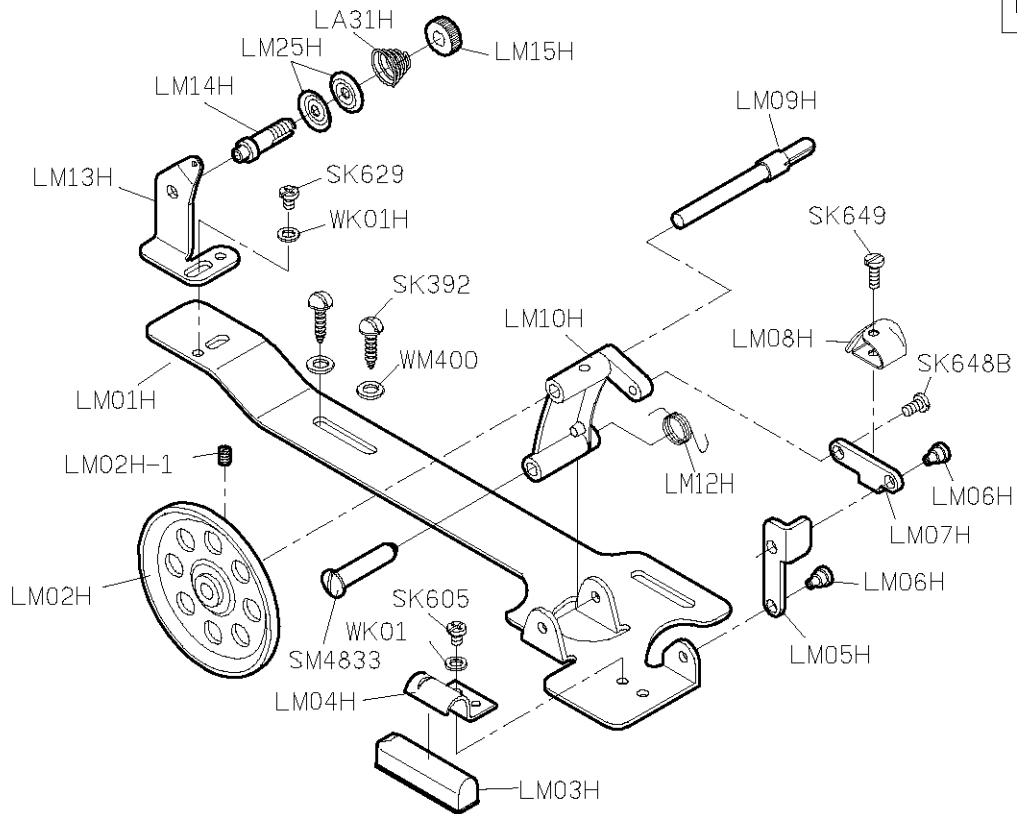


SIRUBA PARTS LIST	Series	Parts Group	Subclass / Remark	Page
	L918U-BM1/BH1	LM		1/1
				Date
				2012/11/01

LM01H-A

A

B

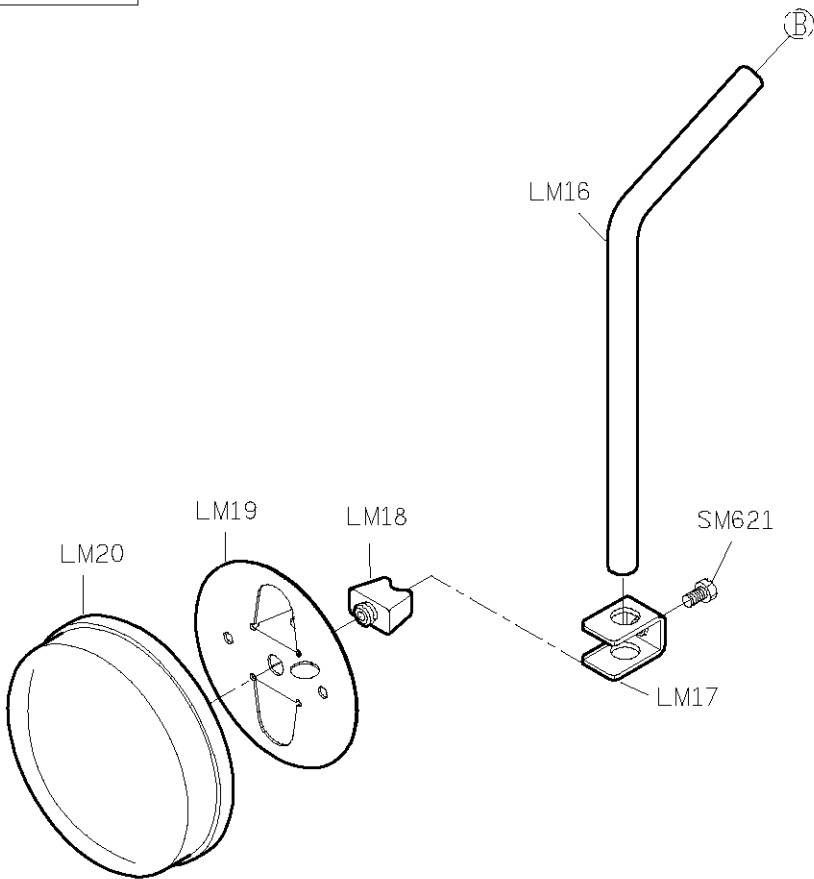


C

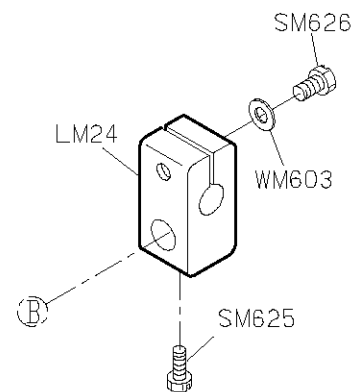
LM20-A

D

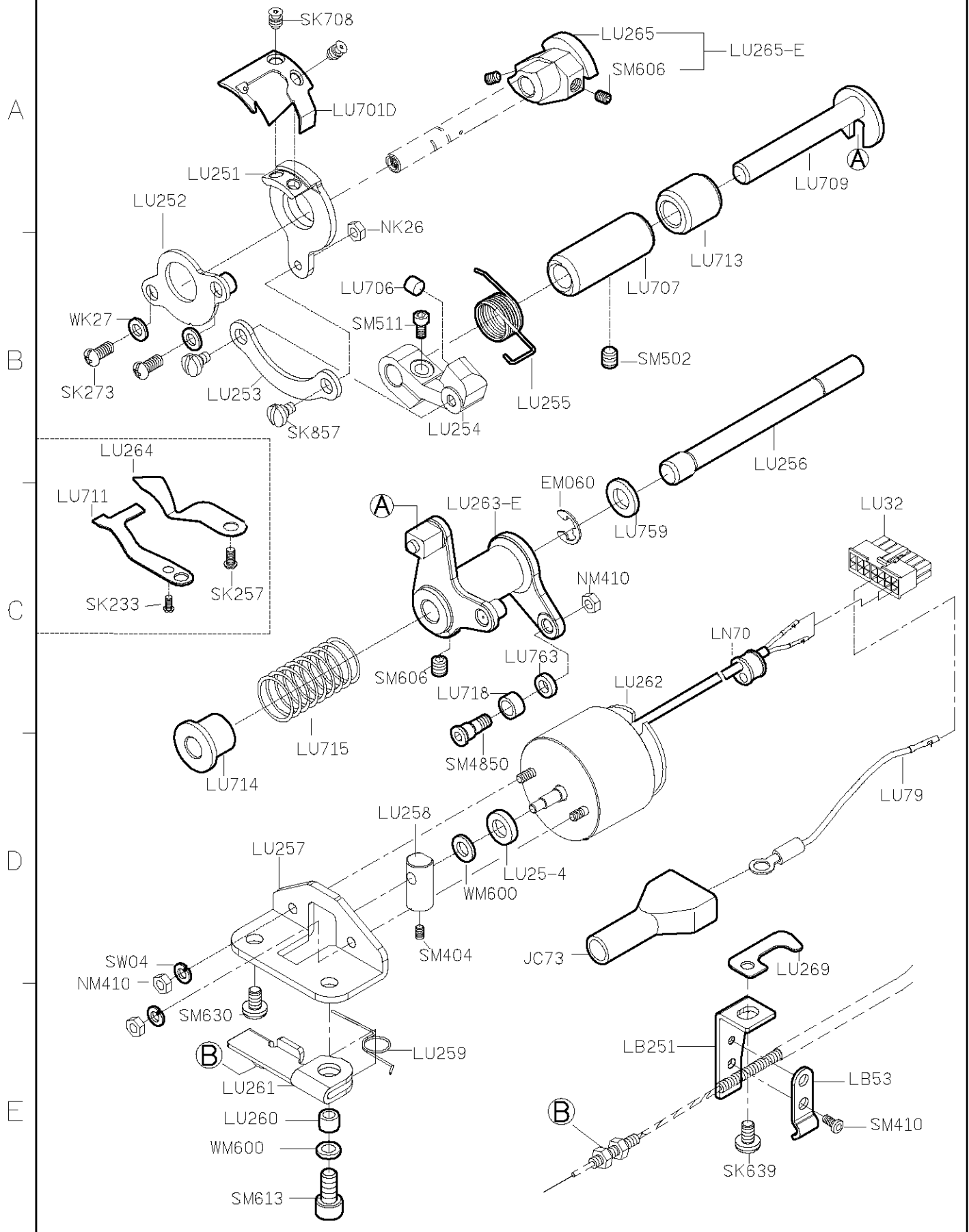
E



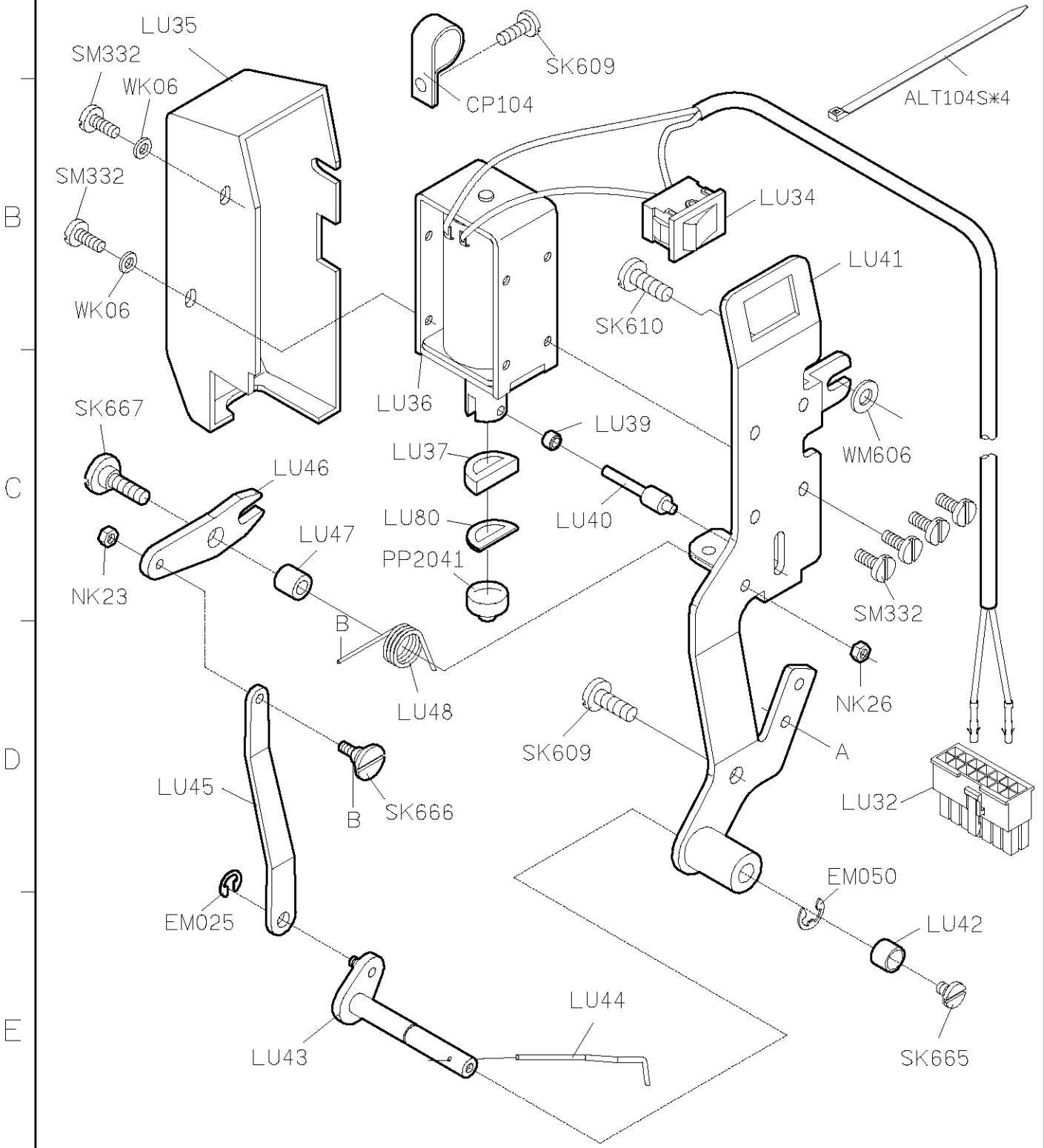
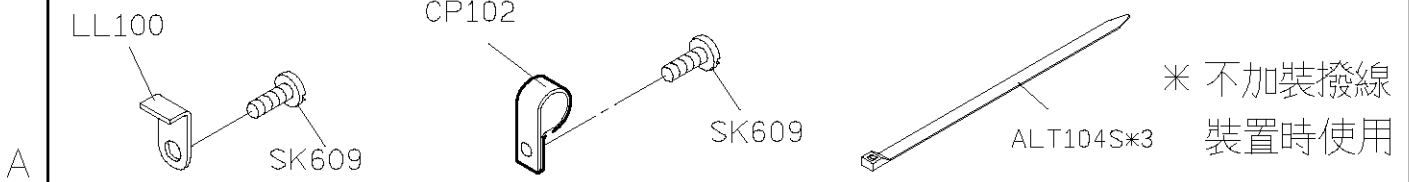
LM24-E



SIRUBA PARTS LIST	Series	Parts Group	Subclass / Remark	Page
	L918U-BM1/BH1	LU		1/7
				Date
				2012/11/01



SIRUBA PARTS LIST	Series	Parts Group	Subclass / Remark	Page
	L918U-BM1/BH1	LU		2/7
				Date
				2012/11/01



SIRUBA PARTS LIST	Series	Parts Group	Subclass / Remark	Page
	L918U-BM1/BH1	LU		3/7
				Date 2015/2/5

LU51-A

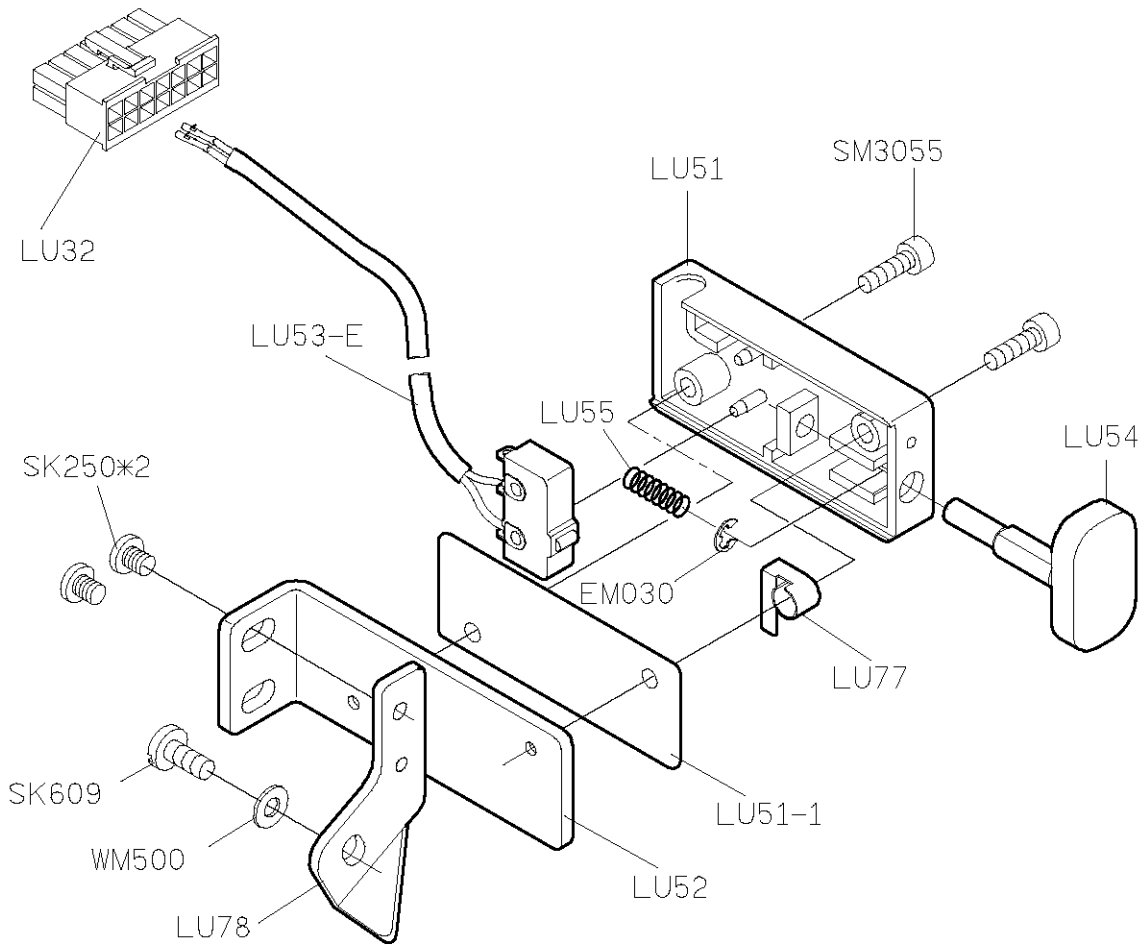
A

B

C

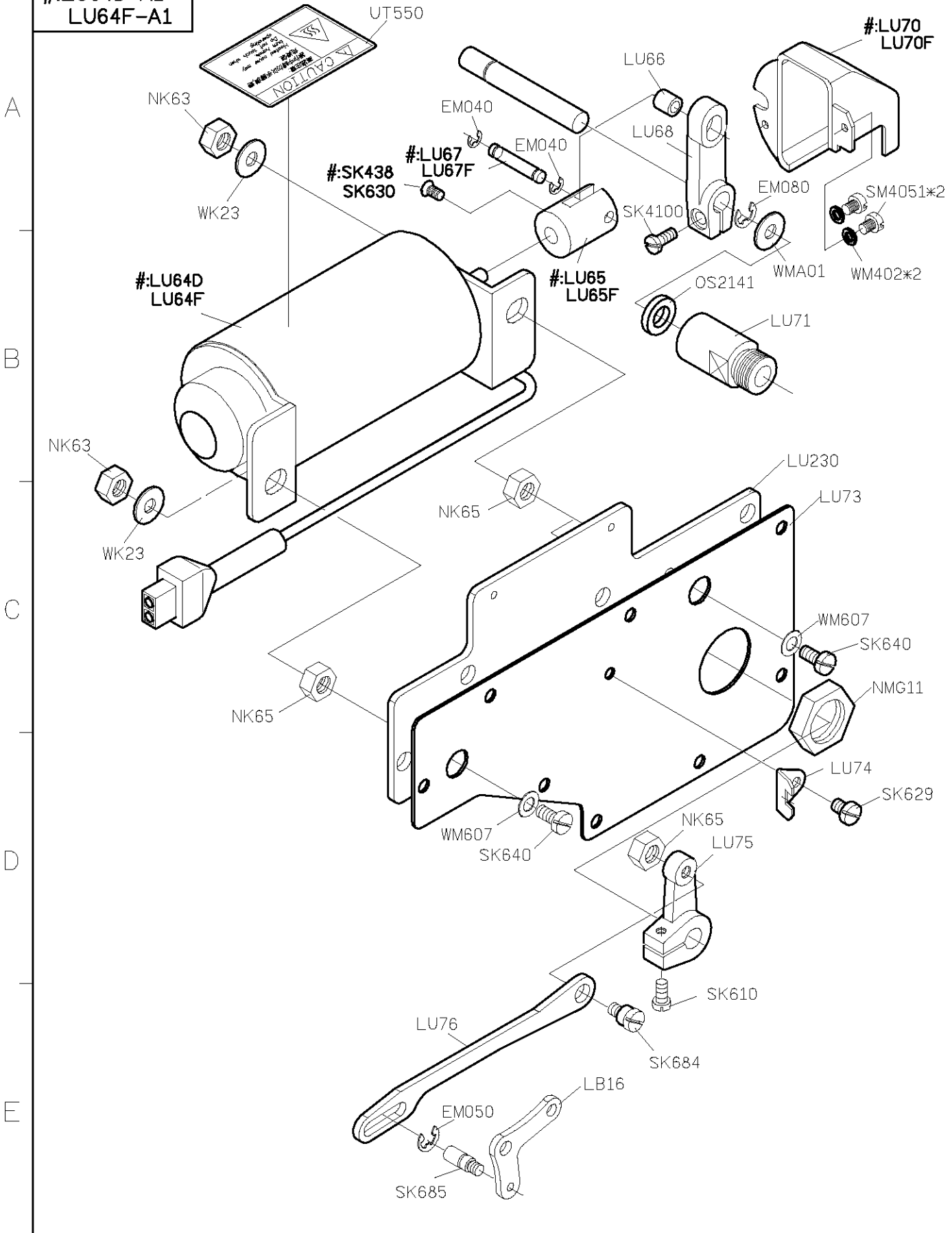
D

E

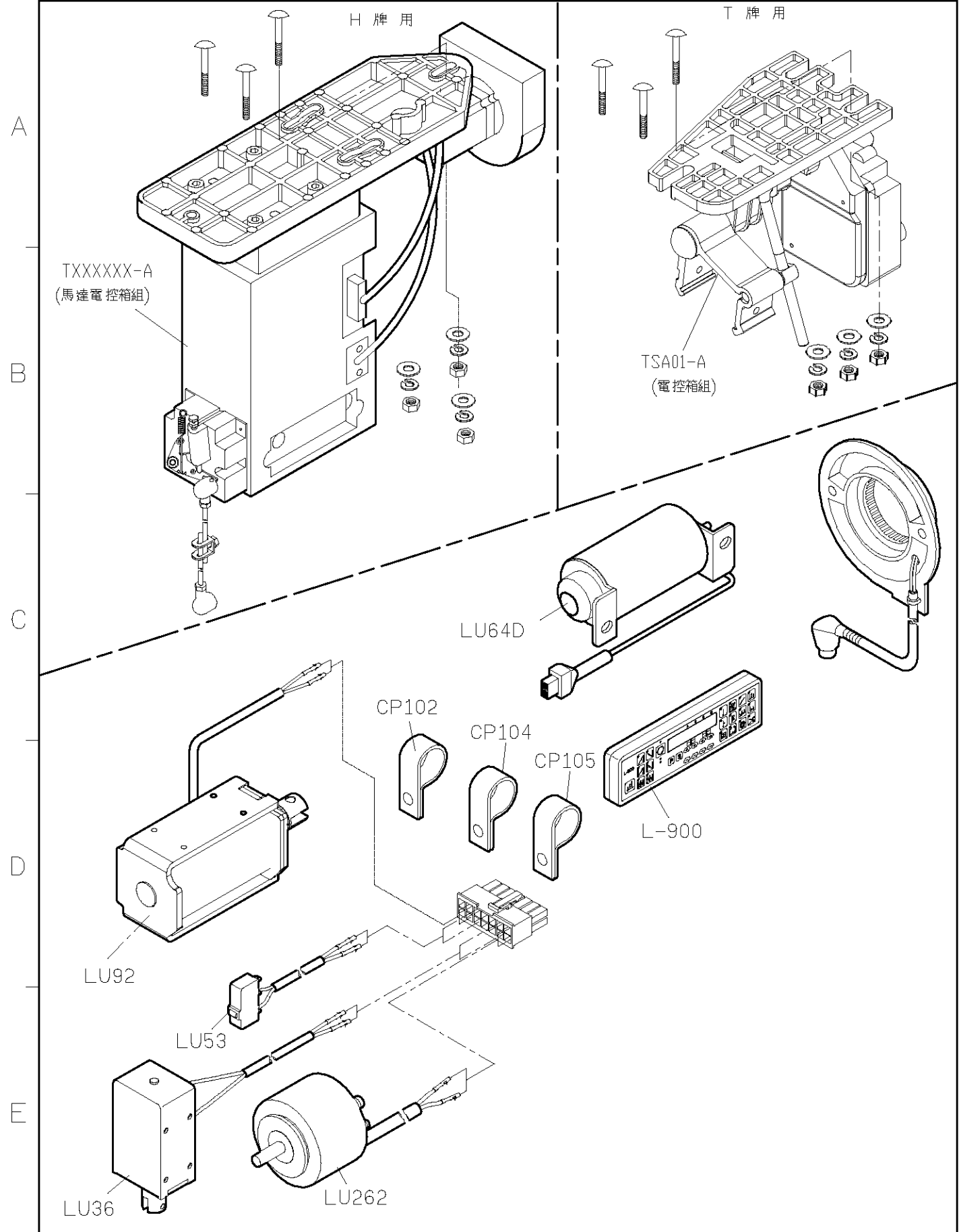


SIRUBA PARTS LIST	Series	Parts Group	Subclass / Remark	Page
	L918U-BM1/BH1	LU	#:Use for BH1	4/7
				Date
				2012/11/01

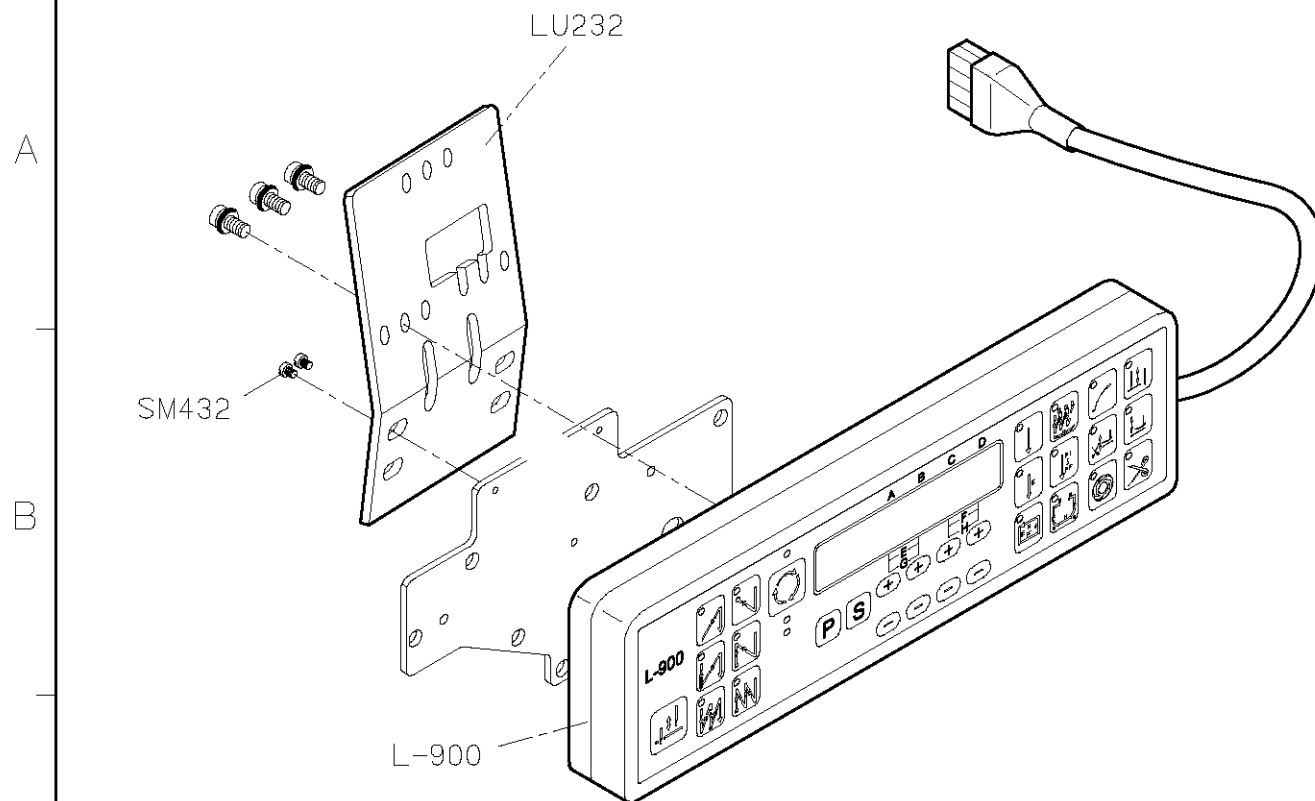
#:LU64D-A1
LU64F-A1



SIRUBA PARTS LIST	Series	Parts Group	Subclass / Remark	Page
	L918U-BM1/BH1	LU		5/7
				Date
				2012/11/01



SIRUBA PARTS LIST	Series	Parts Group	Subclass / Remark	Page
	L918U-BM1/BH1	LU		6/7
				Date
				2012/11/01



註：此部份置於配件箱內

代碼 NO.	操作面板 Control Panel	代碼 NO.	自動切線 Auto THREAD Trimer	快速倒縫 Reverse Feeding	撥線桿 Wiper	自動抬押具 Auto Lifer
1	L-900	0	√	√	-	-
		1	√	√	√	-
		2	√	√	-	√
		3	√	√	√	√

SIRUBA PARTS LIST	Series	Parts Group	Subclass / Remark	Page
	L918U-BM1/BH1	LU		7/7
				Date
				2012/11/01

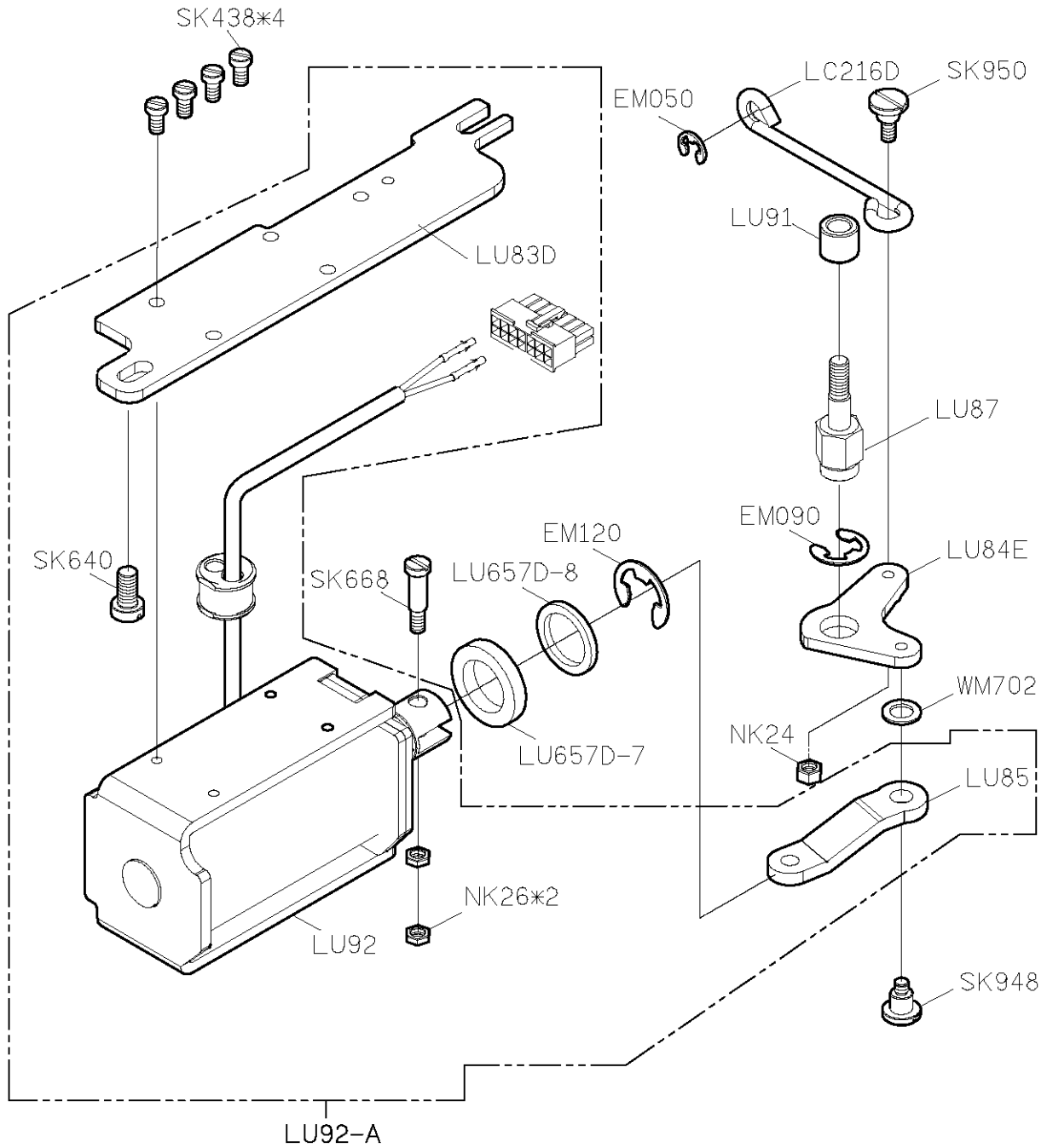
A

B

C

D

E



1

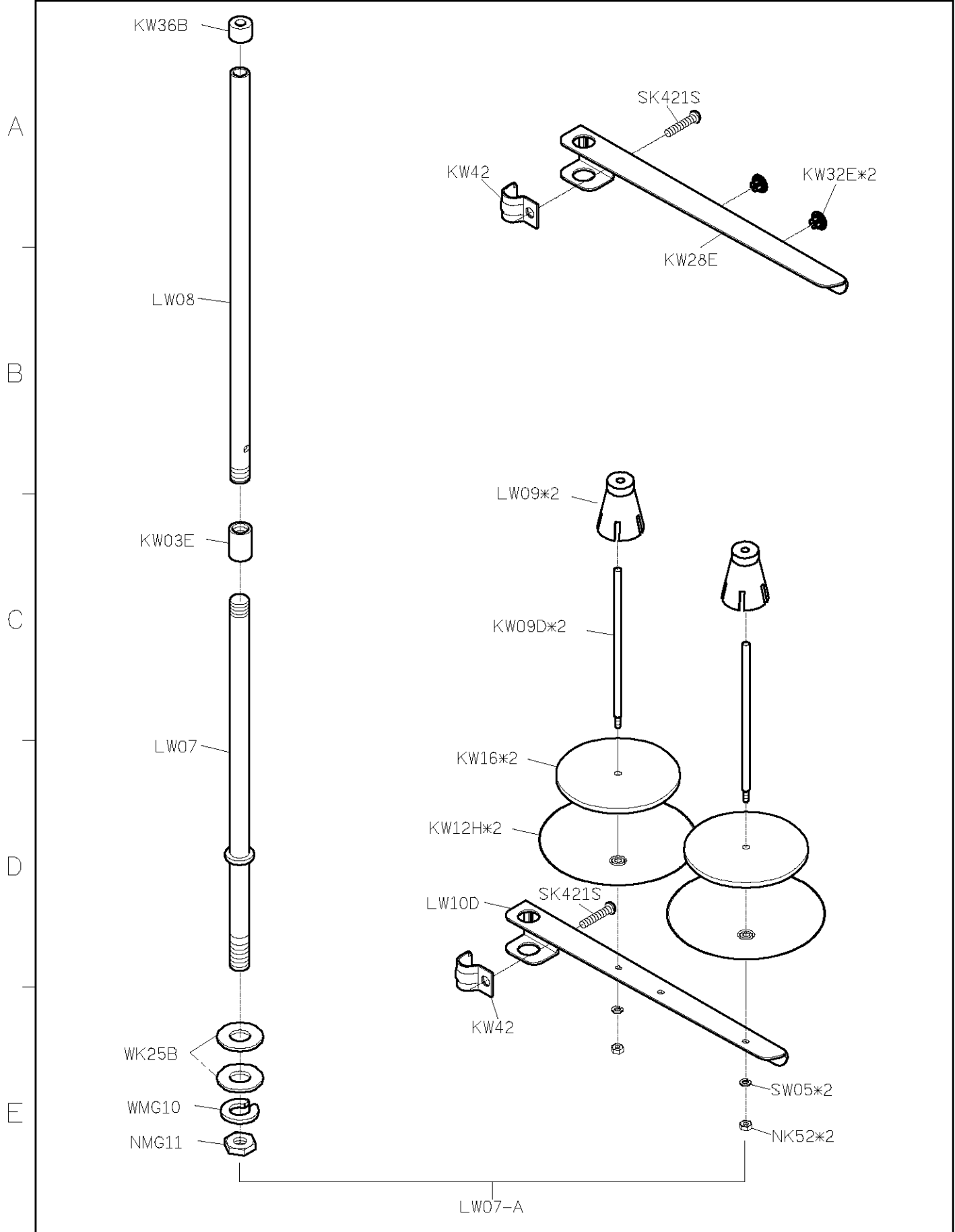
2

3

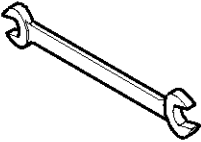
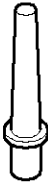
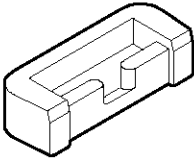
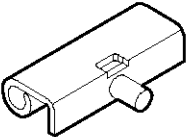

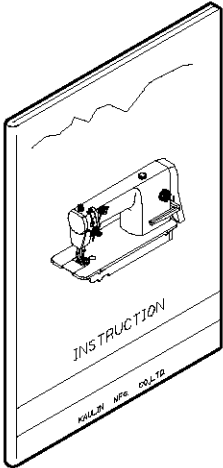
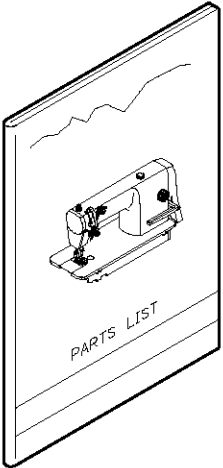

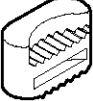




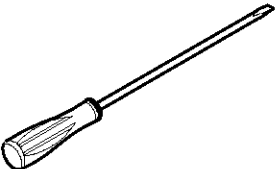
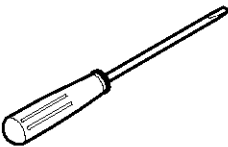
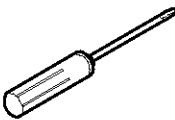

4

5

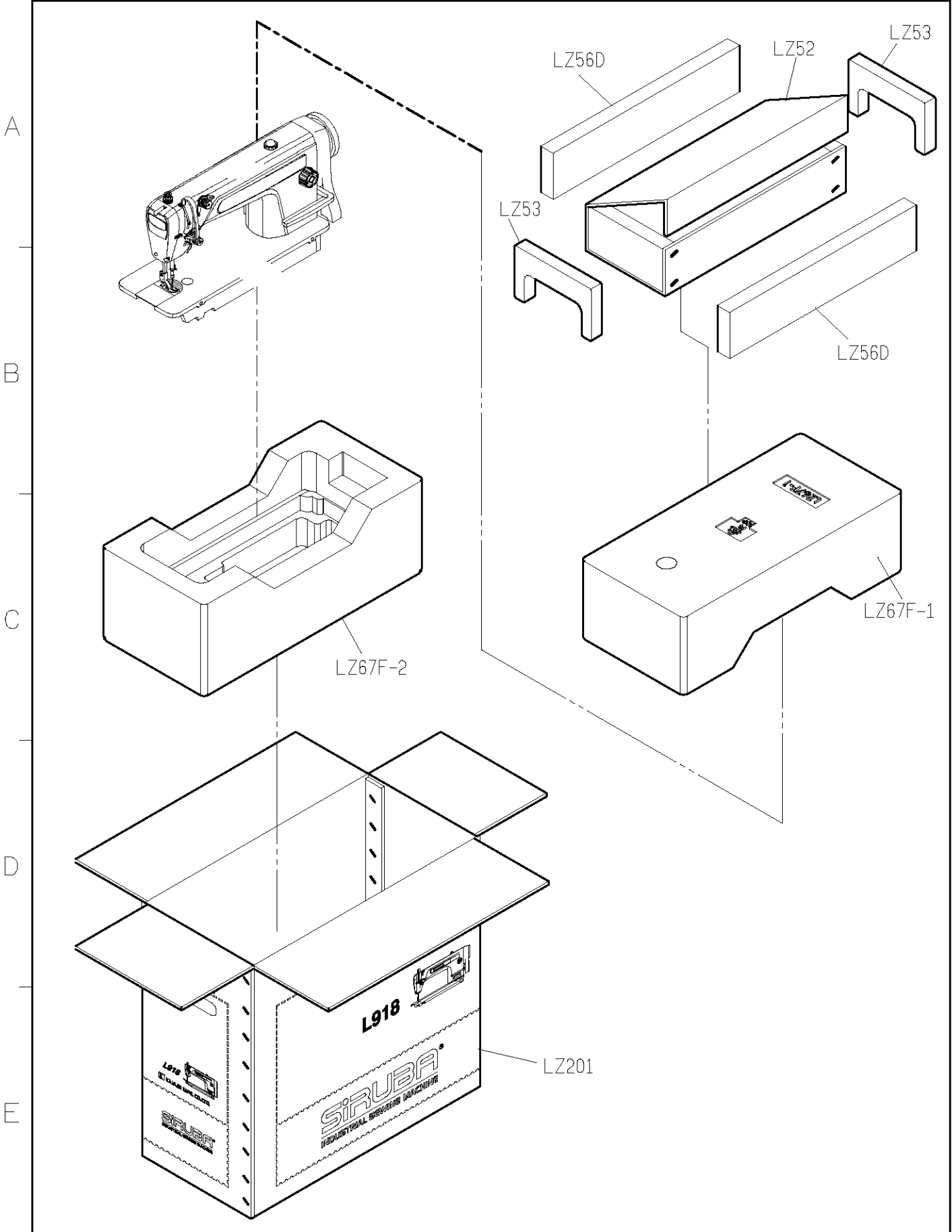
SIRUBA PARTS LIST	Series	Parts Group	Subclass / Remark	Page
	L918U-BM1/BH1	LW		1/1
				Date
				2013/04/10



SIRUBA PARTS LIST	Series	Parts Group	Subclass / Remark	Page
	L918U-BM1/BH1	LY		1/1
				Date
				2012/11/01

A	LY01 	LY02 	YM04*2 	LY05*2 	YM102*2 
B	LY228 	LY229 	LY37-A 	YM103*2 	
C					
D	針*2 	LY38 	G3XX 	KZ03*1 	
E	LY33 	LY34 	LY35 	KY201 	
	1	2	3	4	5

SIRUBA PARTS LIST	Series	Parts Group	Subclass / Remark	Page
	L918U-BM1/BH1	LZ		1/1
				Date 2012/12/22



SIRUBA TABLE CUT - OUT	Series	Item Code	Subclass / Remark	Mounting
	L818D/L917 L918/L918U L819/L819U	L918-T1		Fully-submerged
				Date
				2013/01/01

