

<b>SIRUBA</b> <b>GAGE PARTS LIST</b>	<b>Series</b>	<b>Remark</b>	<b>Page</b>	<b>Date</b>
	<b>L819U</b>	<b>-X1 / -X2</b>	<b>1 / 1</b>	<b>2012/11/01</b>

### L819U規格件表 CONVERSION CHART

										
MODEL	SUB-CLASS	OPERATING PANEL	NEEDLE PLATE	FEED DOG	PRESSER FOOT	HOOK ASM	BOBBIN CASE ASM	BOBBIN	NEEDLE	HAND WHEEL
機 型	規 格	操作盒	針 板	送 具	押 具	梭 頭	梭 殼	梭 子	針 號	皮帶輪
L819-X1-10 ? L819-X1-13 ? L819-X1-13P	厚布料 ? 特厚布料	C-60M	E702	D702	P711/P712	G125	G202	G301	DB*1#21	LH101Q-A1
L819-X2-10 ? L819-X2-13 ? L819-X2-13P			E702	D702	P711/P712	G132K	G205	G302	DB*1#21	

(G132K為：佐文KHS20-RMPN)

<b>SIRUBA</b> MODEL COMPARE LIST	Series	Remark	Page	Date
	<b>L819/L819U</b>	<b>-X1/-X2</b>	<b>1/2</b>	<b>2012/11/01</b>

## L819/L819U 型別件表

										
MODEL	SUB-CLASS	BAD	THRAD TAKE UP LEVER COVER	THREAD PLATE	THREAD PLATE	THREAD PLATE	THREAD PLATE	MOVABLE KINFE BRACKET	FIXED KINFE	FIXED KINFE
機 型	規 格	機體下座	天秤蓋	導線片	導線片	導線片	導線片	活動刀轉座	固定刀	固定刀
L819 /X1	厚布料	LA101	LA11F	LA34	—	LA125	—	—	—	—
L819 /X2		LA501	LA511	—	YA24	—	YA25	—	—	—
L819-TRIMMER /X1		LA101P	LA11F	LA34	—	LA125	—	LU100D	LU711	—
L819-TRIMMER /X2		LA501P	LA511	—	YA24	—	YA25	LU500	—	LU503

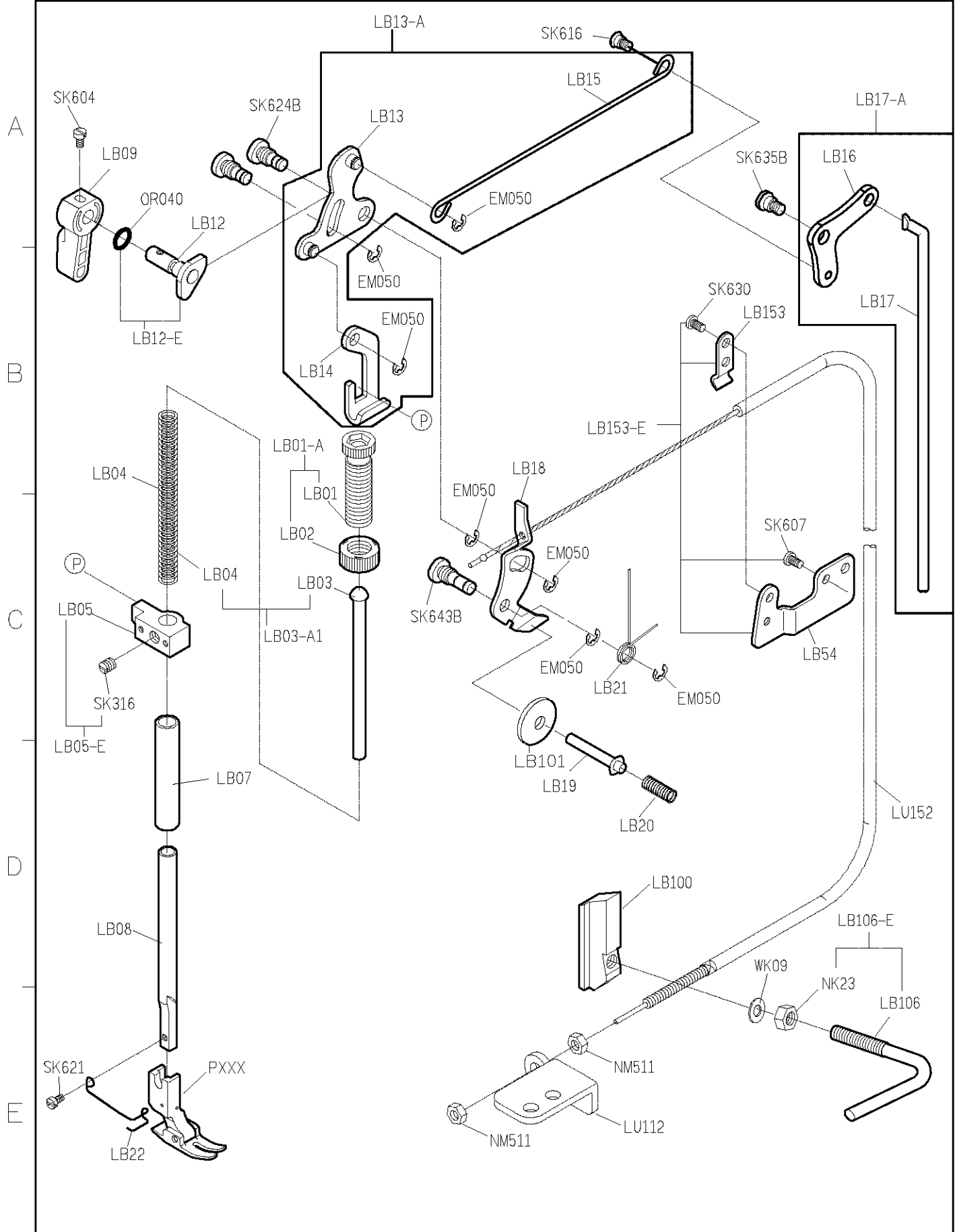
<b>SIRUBA</b> MODEL COMPARE LIST	<b>Series</b>	<b>Remark</b>	<b>Page</b>	<b>Date</b>
	L819/L819U	-X1/-X2	2/2	2012/11/01

## L819/L819U 型別件表

								
MODEL	SUB-CLASS	FIXED KINFE FIXED BRACKET	FIXED KINFE FIXED BRACKET	THRAD TAKE UP LEVER	NEEDLE PLATE	BELT PLATE SPRING	MOVABLE KINFE	
機 型	規 格	固定刀固定座	固定刀固定座	天秤	針線導片	板狀彈簧	活動刀	
L819 /X1	厚布料	—	—	LG113	—	LM08	—	
L819 /X2		—	—	LG513	—	LM26	—	
L819-TRIMMER /X1		LU118D	—	LG113	LU102	—	LU100D	
L819-TRIMMER /X2		—	—	A LU118 B SK718 c LU119	LG513	LU502	—	LU500

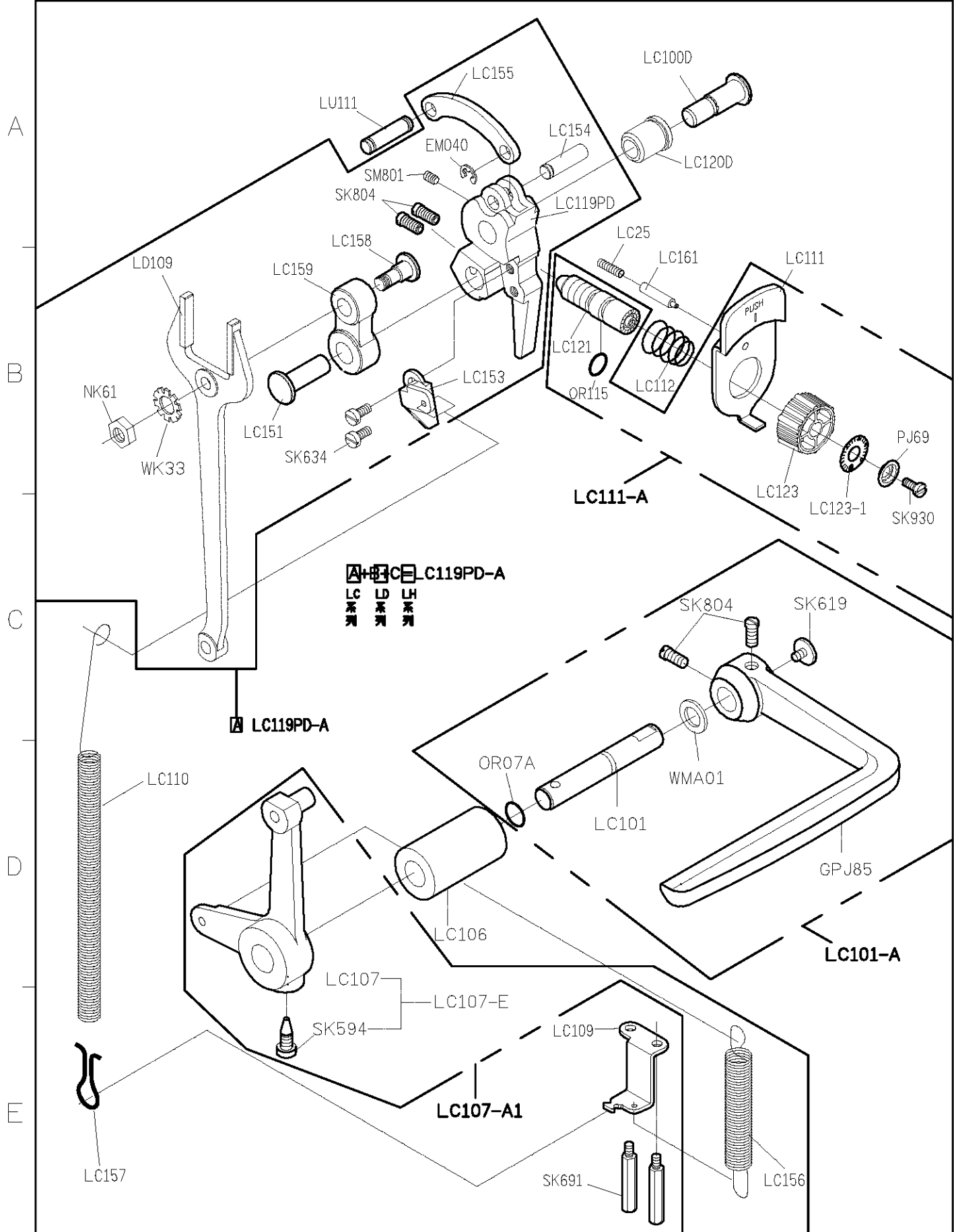


<b>SIRUBA</b> <b>PARTS LIST</b>	<b>Series</b>	<b>Parts Group</b>	<b>Subclass / Remark</b>	<b>Page</b>
	<b>L819U-X1/X2</b>	<b>LB</b>		<b>1/1</b>
				<b>Date</b>
				<b>2012/11/01</b>

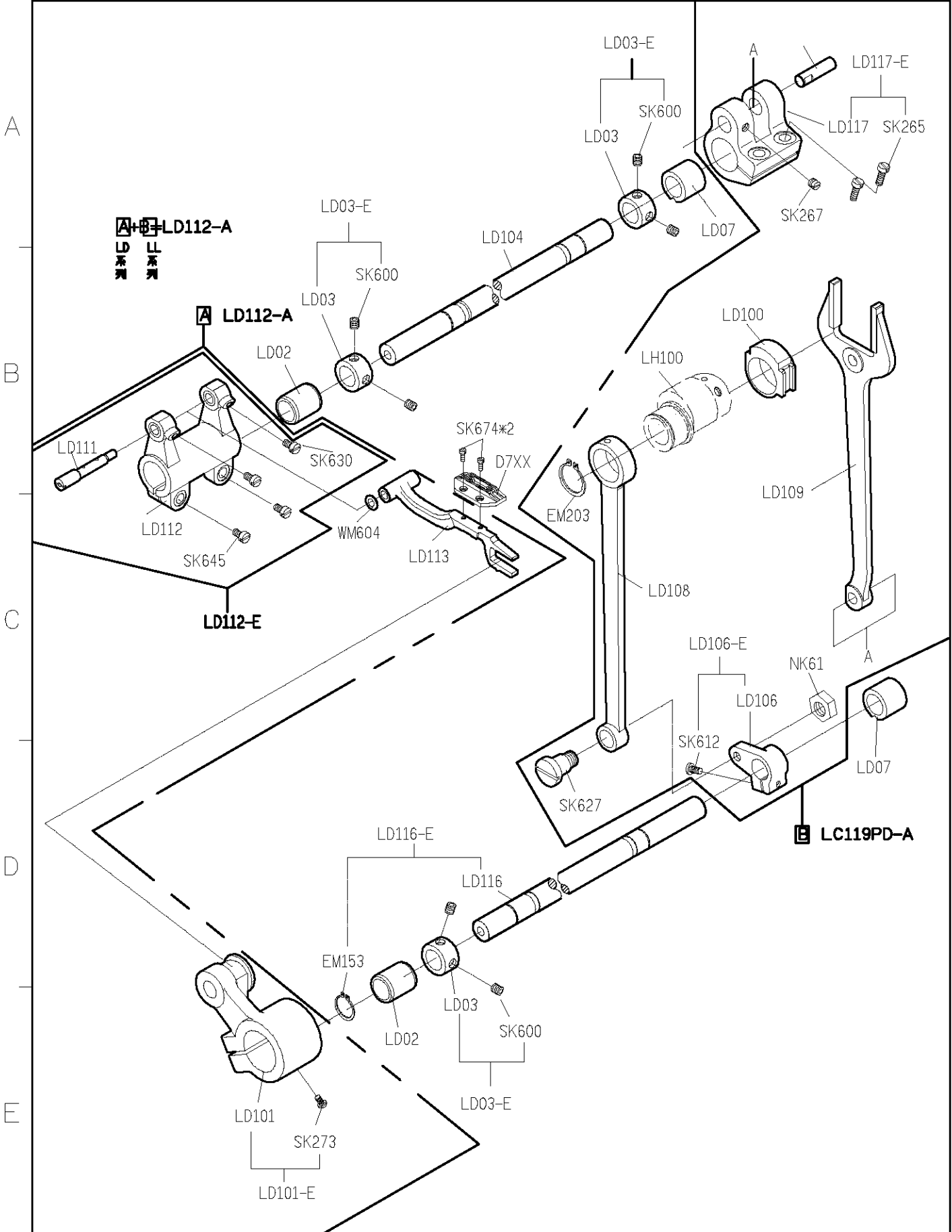


1 2 3 4 5

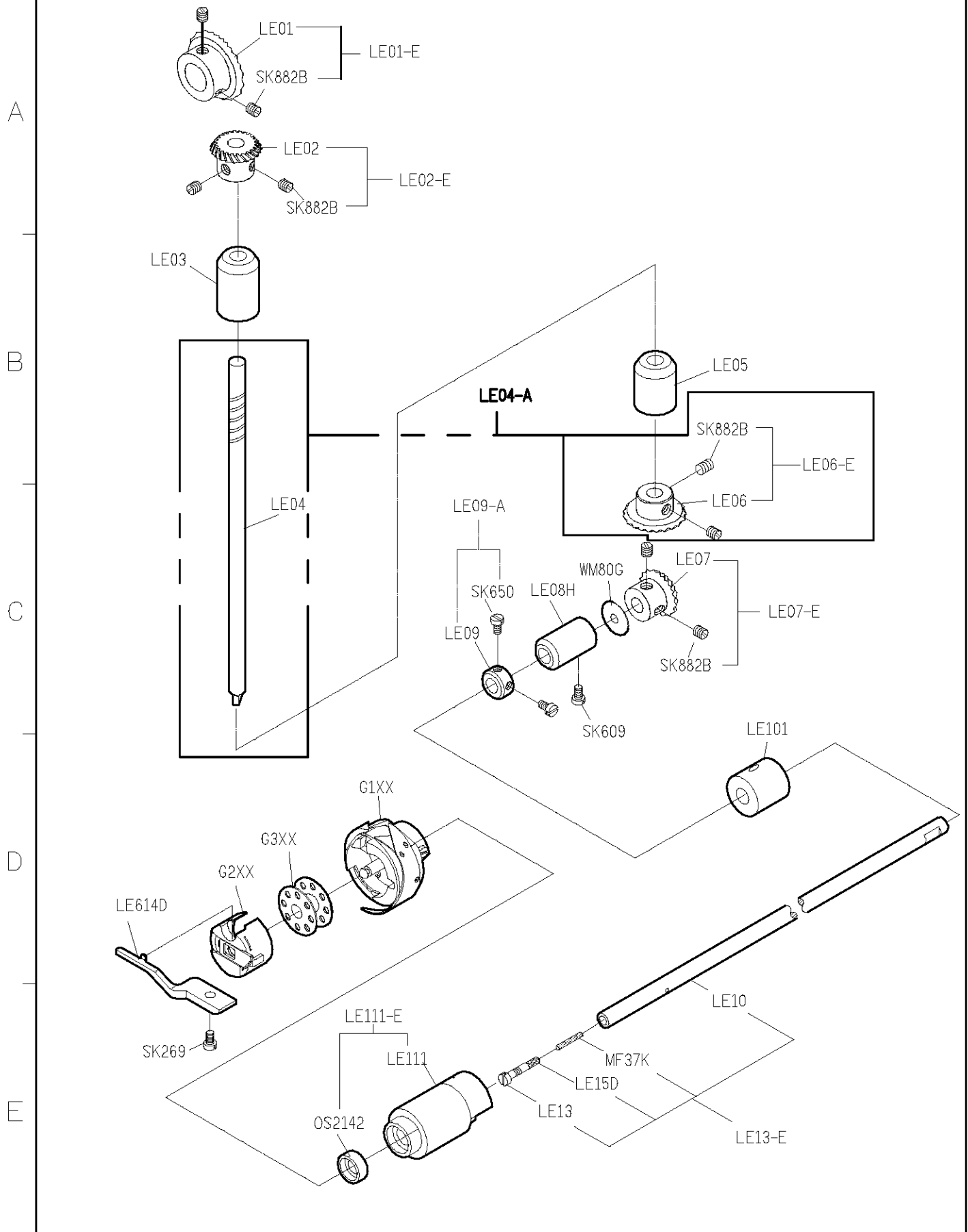
<b>SIRUBA</b> <b>PARTS LIST</b>	<b>Series</b>	<b>Parts Group</b>	<b>Subclass / Remark</b>	<b>Page</b>
	<b>L819U-X1/X2</b>	<b>LC</b>		<b>1/1</b>
				<b>Date</b>
				<b>2012/11/01</b>



<b>SIRUBA</b> <b>PARTS LIST</b>	<b>Series</b>	<b>Parts Group</b>	<b>Subclass / Remark</b>	<b>Page</b>
	<b>L819U-X1/X2</b>	<b>LD</b>		<b>1/1</b>
				<b>Date</b>
				<b>2012/11/01</b>



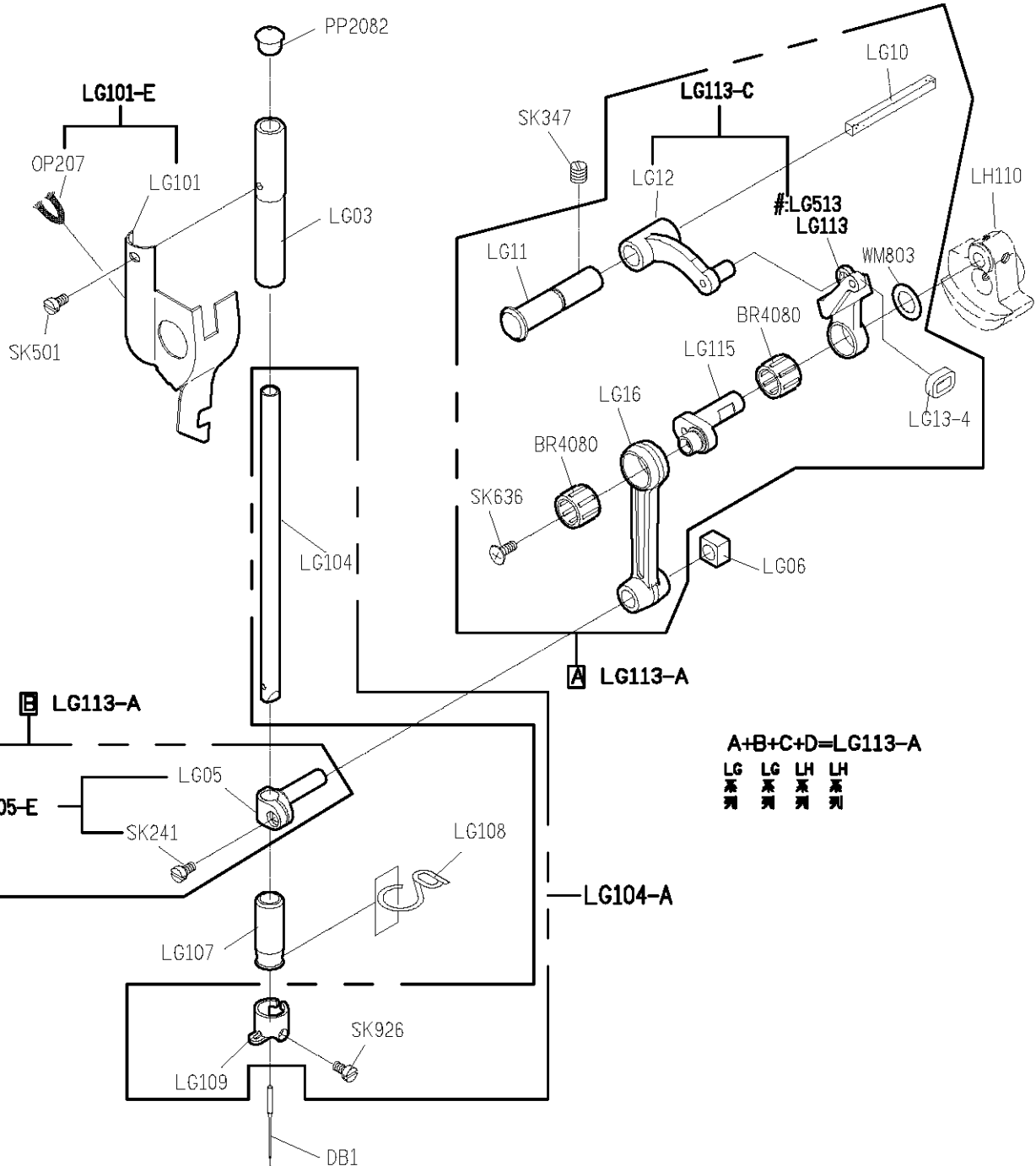
SIRUBA PARTS LIST	Series	Parts Group	Subclass / Remark	Page
	L819U-X1/X2	LE		1/1
				Date
				2012/11/01



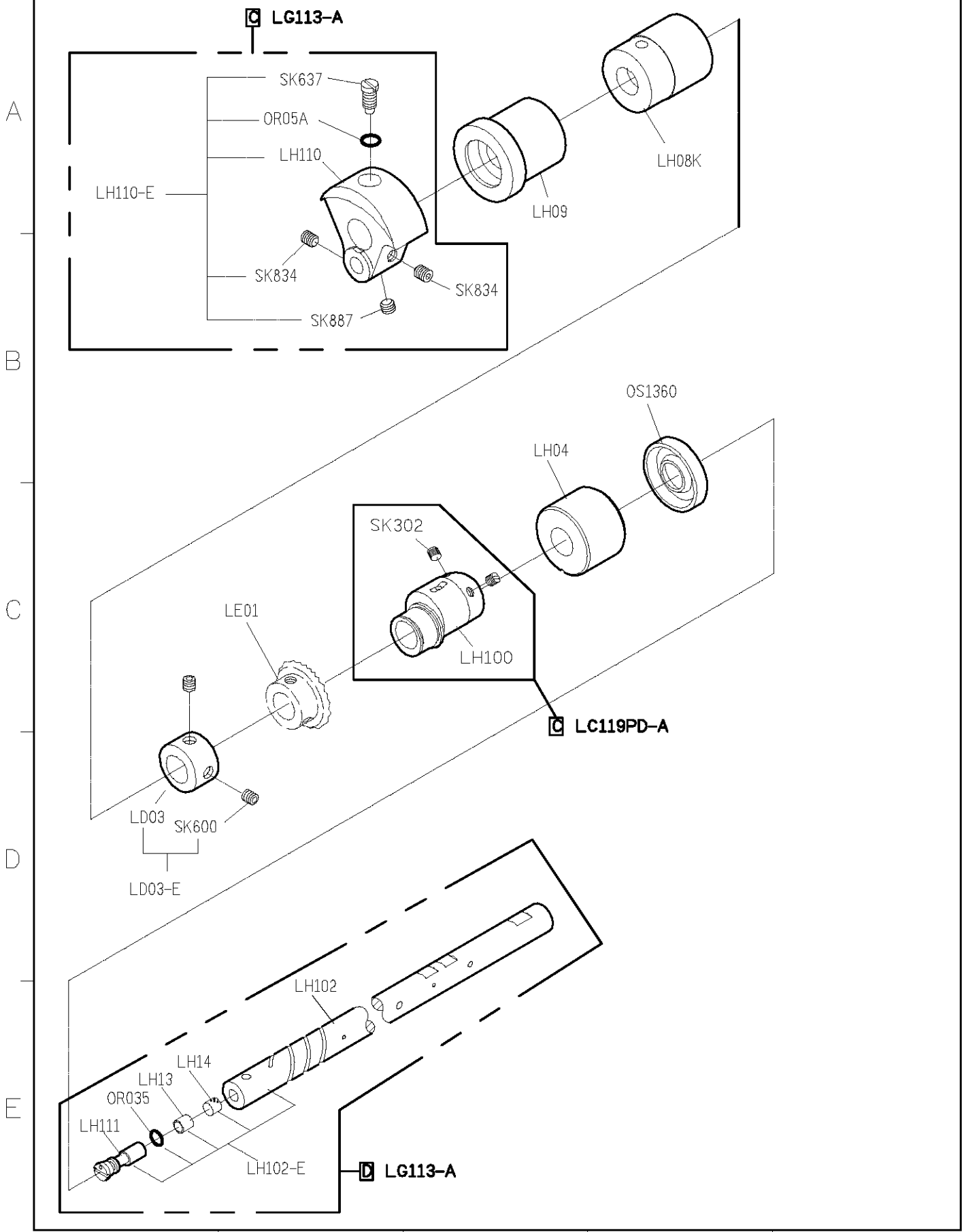


<b>SIRUBA</b> <b>PARTS LIST</b>	<b>Series</b>	<b>Parts Group</b>	<b>Subclass / Remark</b>	<b>Page</b>
	L819U-X1/X2	<b>LG</b>	#:Use for X2	1/1
				<b>Date</b>
				2012/11/01

A  
B  
C  
D  
E



SIRUBA PARTS LIST	Series	Parts Group	Subclass / Remark	Page
	L819U-X1/X2	LH		1/2
				Date
				2012/11/01



<b>SIRUBA</b> <b>PARTS LIST</b>	<b>Series</b>	<b>Parts Group</b>	<b>Subclass / Remark</b>	<b>Page</b>
	<b>L819U-X1/X2</b>	<b>LH</b>		2/2
				<b>Date</b>
				<b>2012/11/01</b>

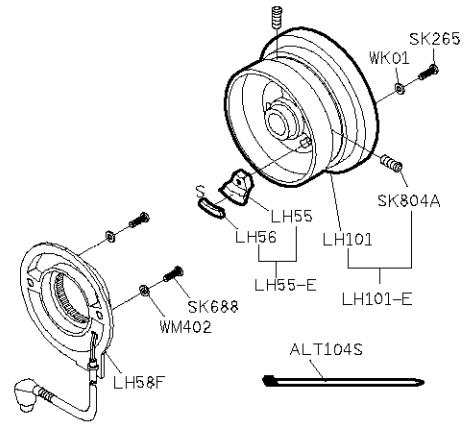
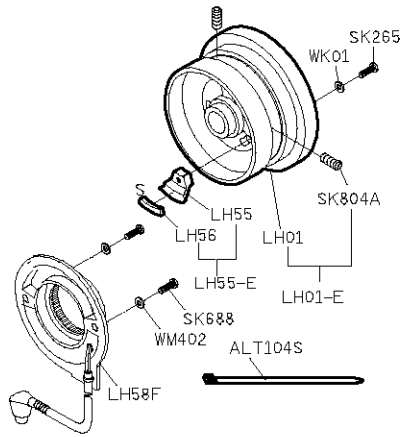
擺動式切刀

旋轉式切刀

A

日廠牌馬達

B



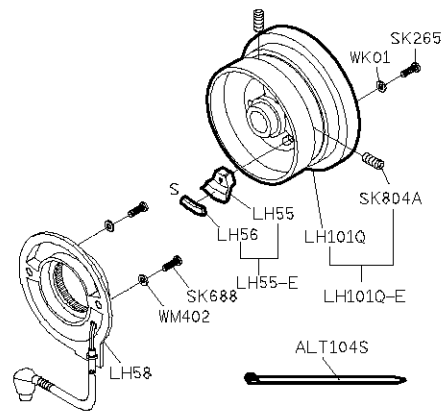
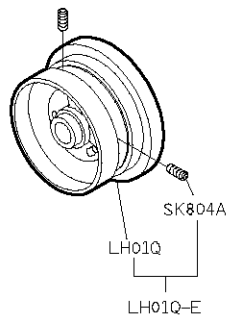
C

LH01-A1

LH101-A1

其他廠牌馬達(可加後拉輪)

D



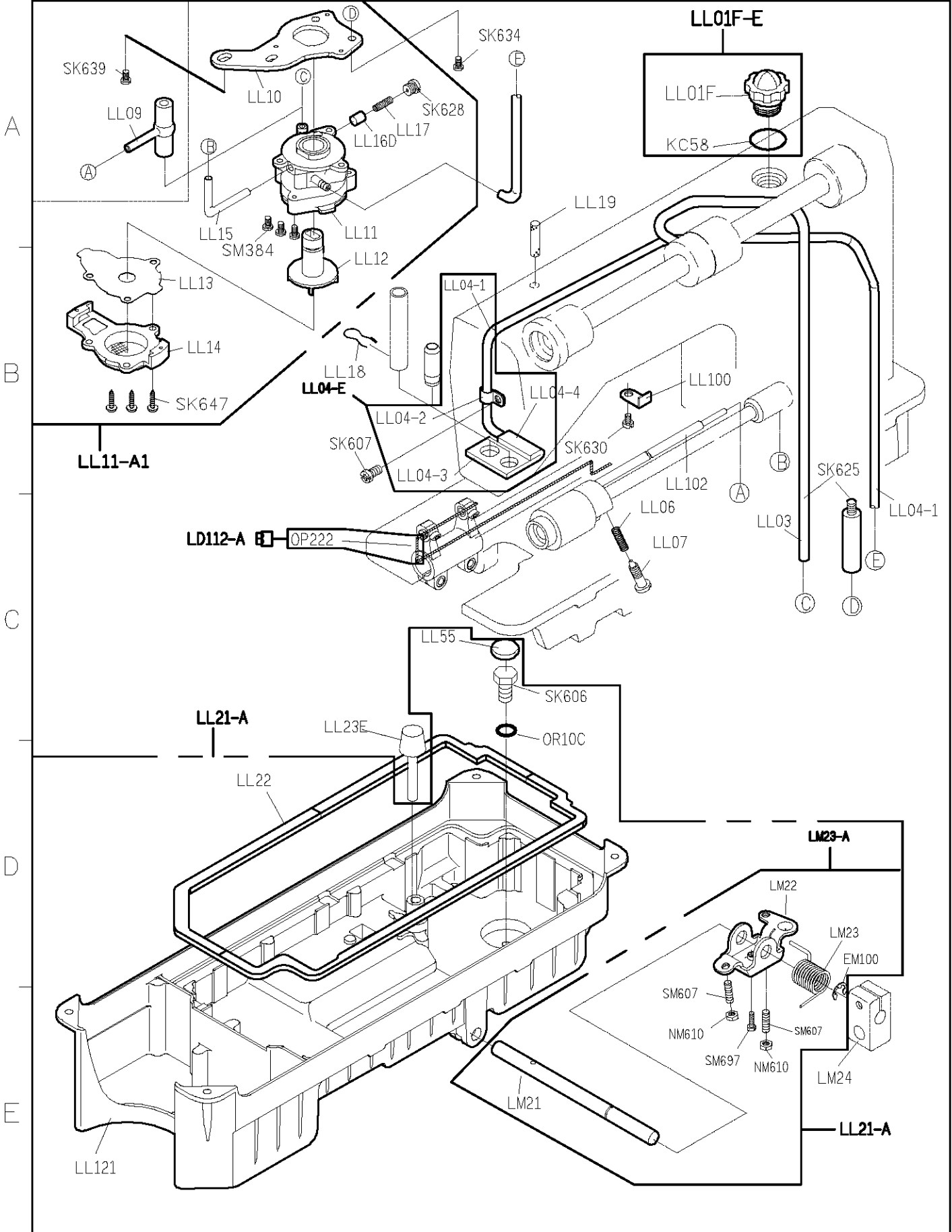
E

LH01Q-E

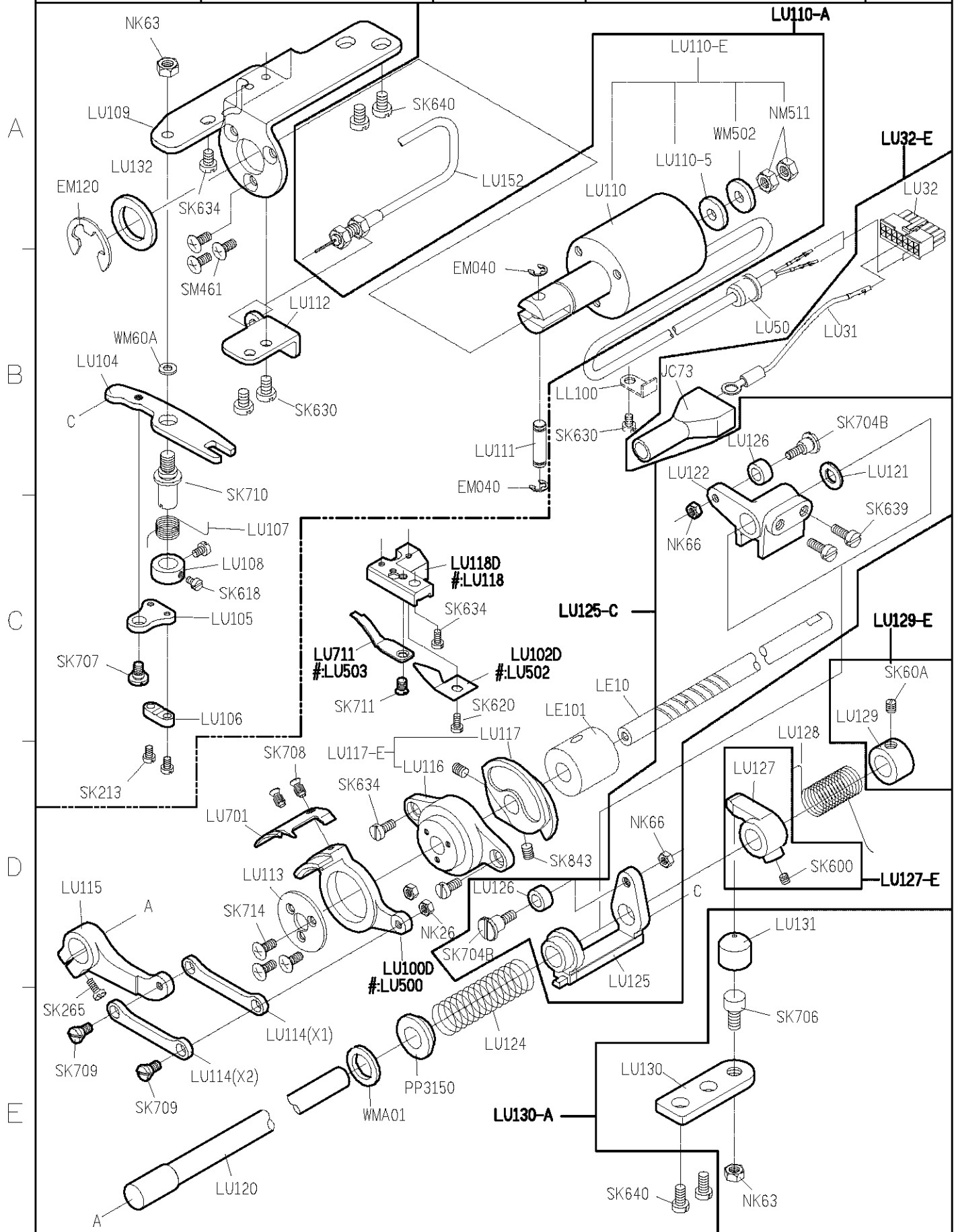
LH101Q-A1

1 2 3 4 5

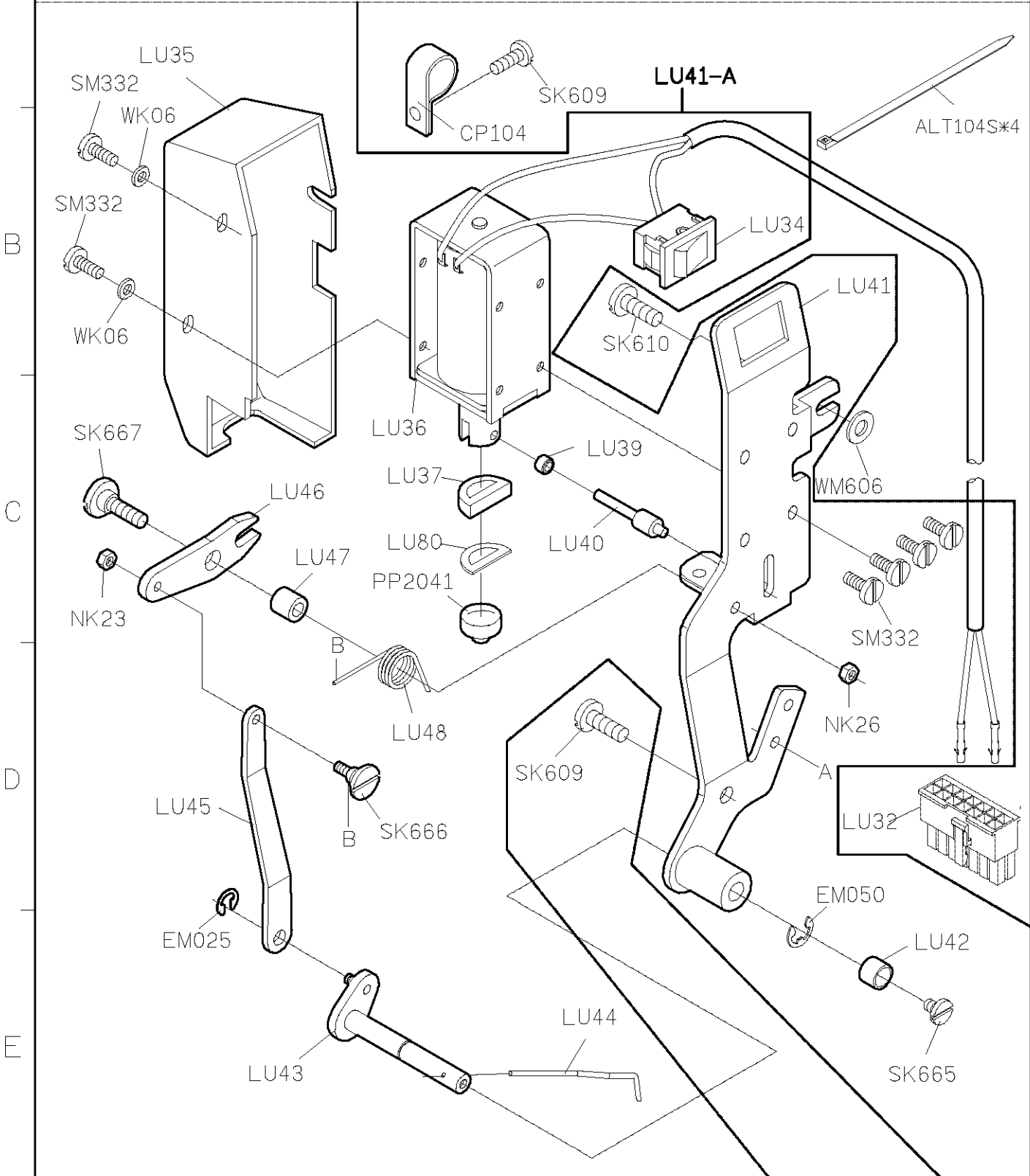
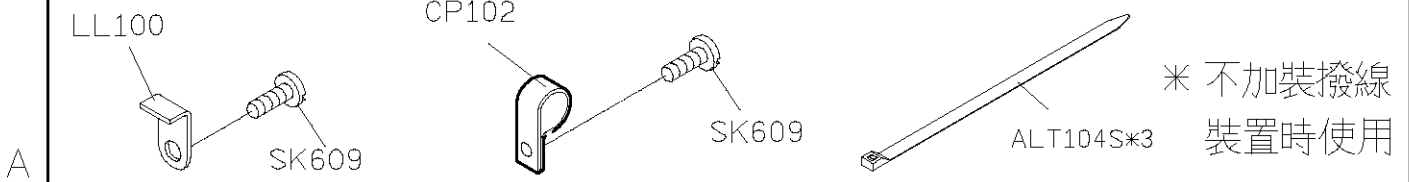
<b>SIRUBA</b> <b>PARTS LIST</b>	<b>Series</b>	<b>Parts Group</b>	<b>Subclass / Remark</b>	<b>Page</b>
	<b>L819U-X1/X2</b>	<b>LL</b>		<b>1/1</b>
				<b>Date</b>
				<b>2012/12/27</b>



<b>SIRUBA</b> <b>PARTS LIST</b>	<b>Series</b>	<b>Parts Group</b>	<b>Subclass / Remark</b>	<b>Page</b>
	L819U-X1/X2	LU	#:Use for X2	1/7
				Date
				2012/11/01

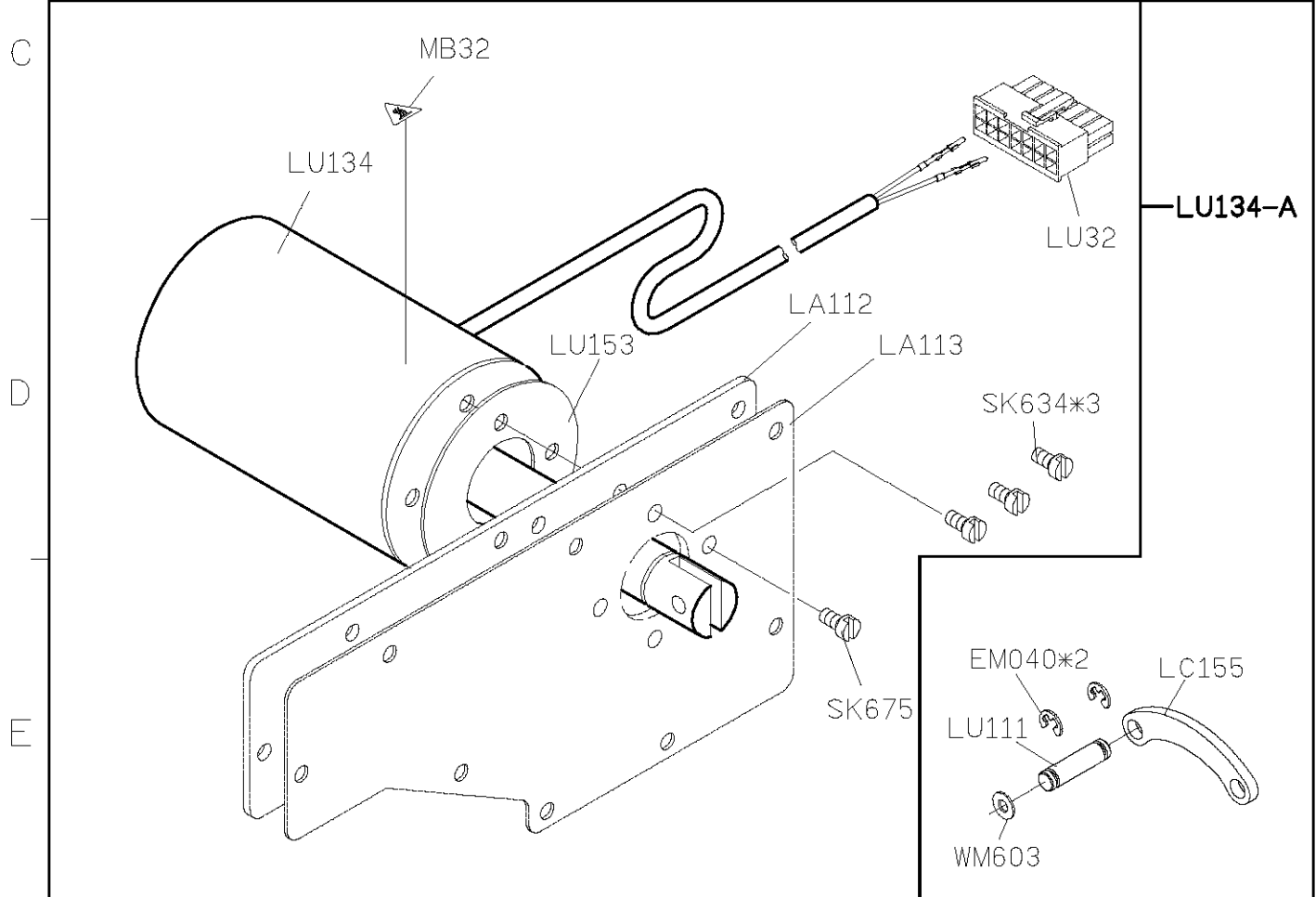
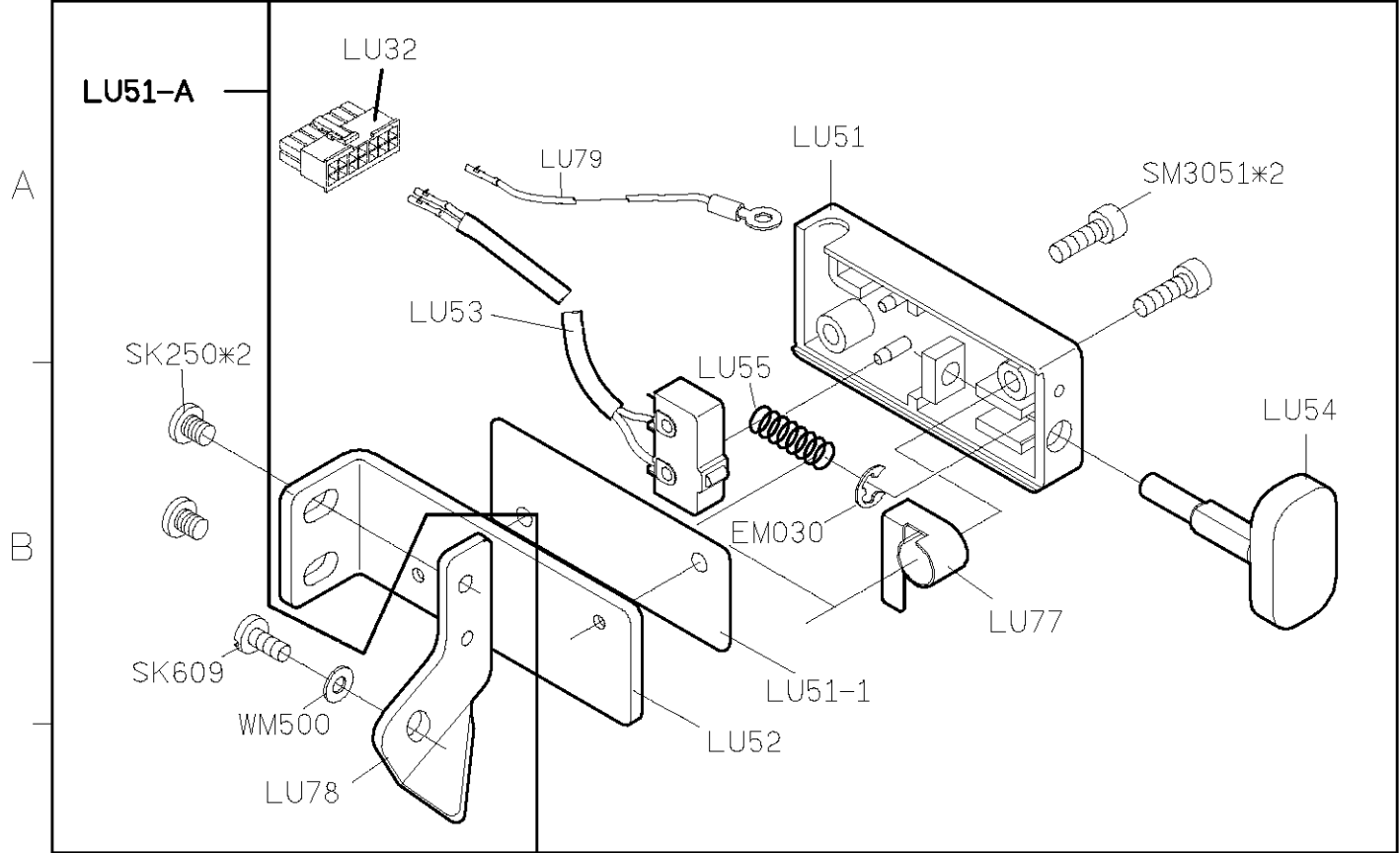


SIRUBA PARTS LIST	Series	Parts Group	Subclass / Remark	Page
	L819U-X1/X2	LU		2/7
				Date
				2012/11/01



1 2 3 4 5

<b>SIRUBA</b> <b>PARTS LIST</b>	<b>Series</b>	<b>Parts Group</b>	<b>Subclass / Remark</b>	<b>Page</b>
	<b>L819U-X1/X2</b>	<b>LU</b>		<b>3/7</b>
				<b>Date</b>
				<b>2012/11/01</b>



SIRUBA PARTS LIST	Series	Parts Group	Subclass / Remark	Page
	L819U-X1/X2	LU		4/7
				Date
				2012/11/01

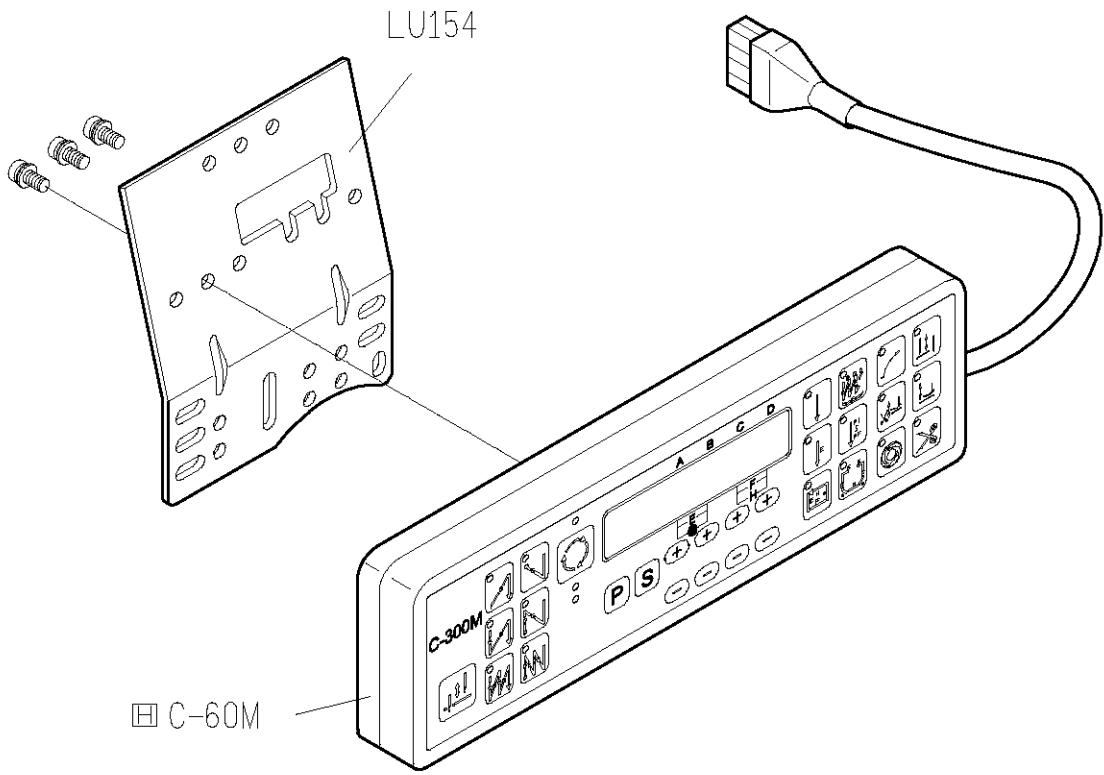
A

B

C

D

E



註：此部份置於配件箱內



SIRUBA PARTS LIST	Series	Parts Group	Subclass / Remark	Page
	L819U-X1/X2	LU		5/7
				Date
				2012/11/01

LU140-A

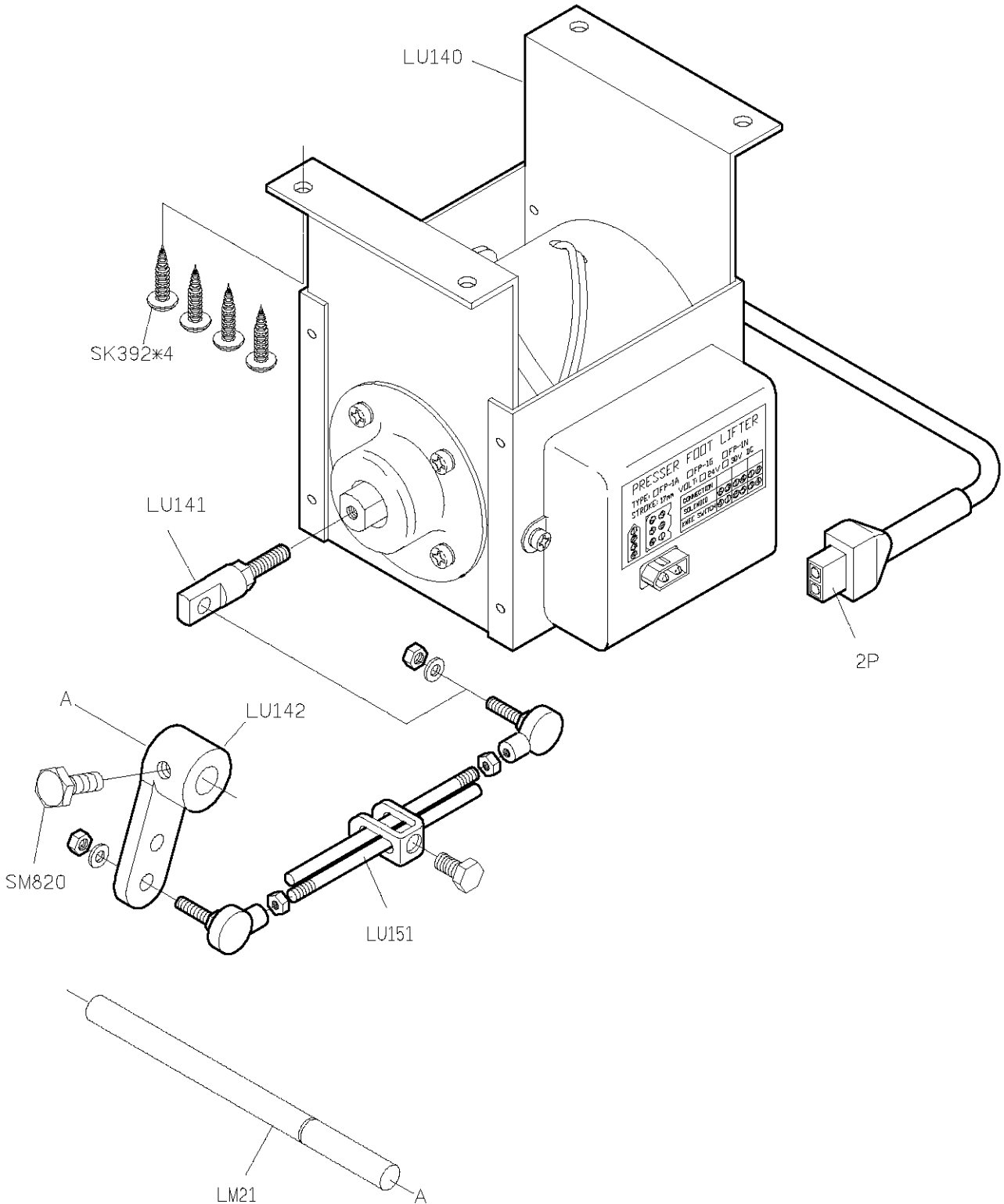
A

B

C

D

E



1

2

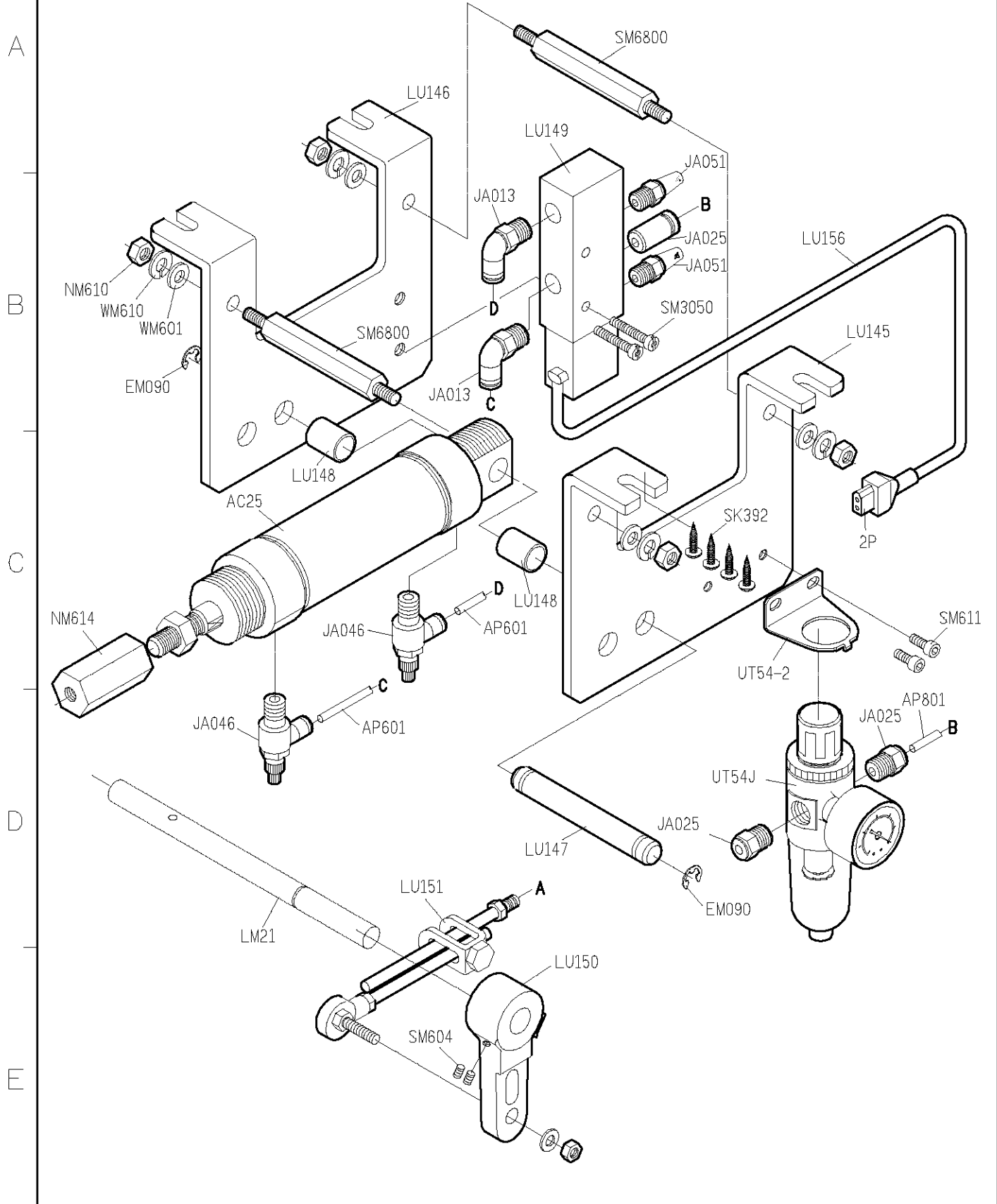
3

4

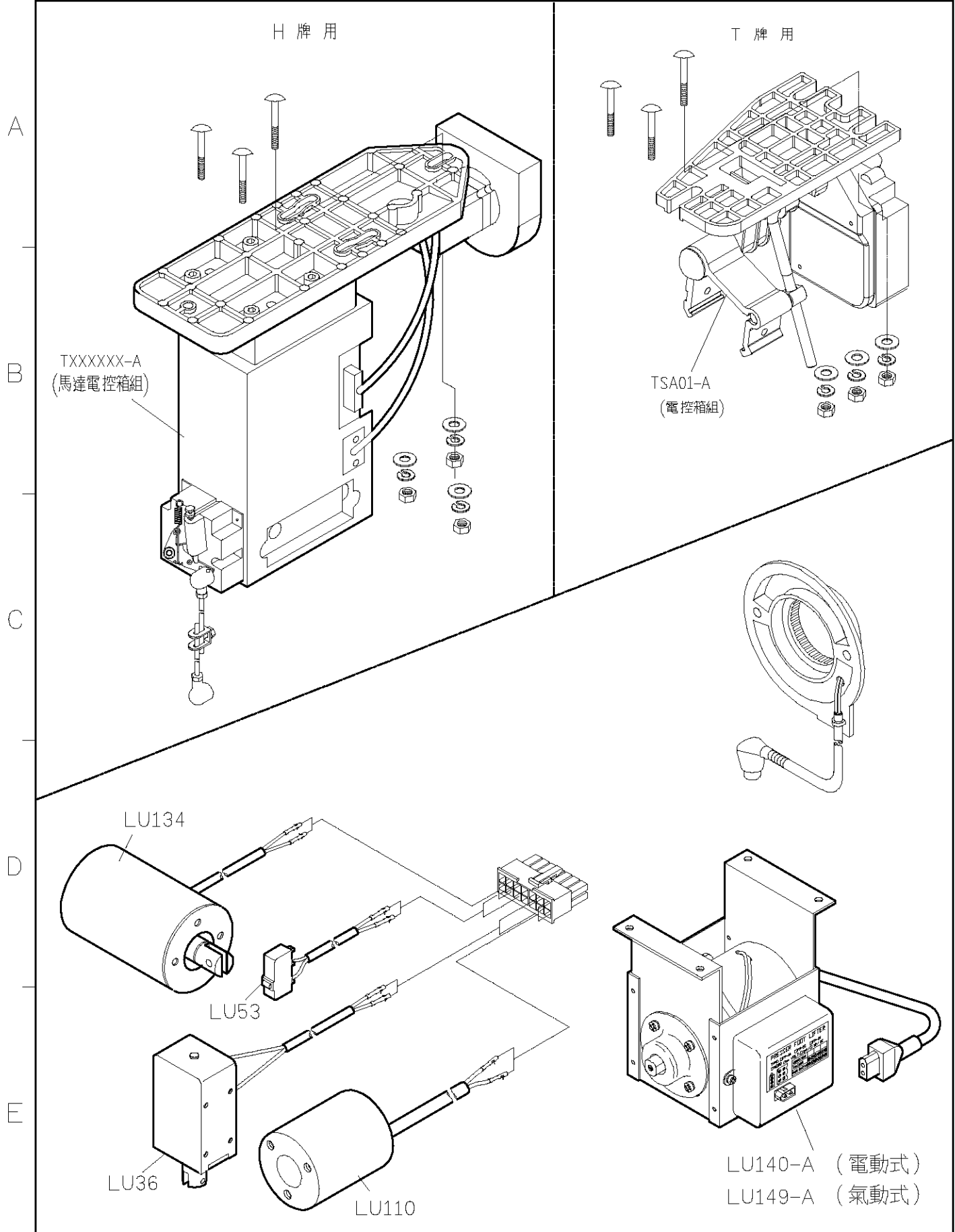
5

SIRUBA PARTS LIST	Series	Parts Group	Subclass / Remark	Page
	L819U-X1/X2	LU		6/7
				Date
				2012/11/01

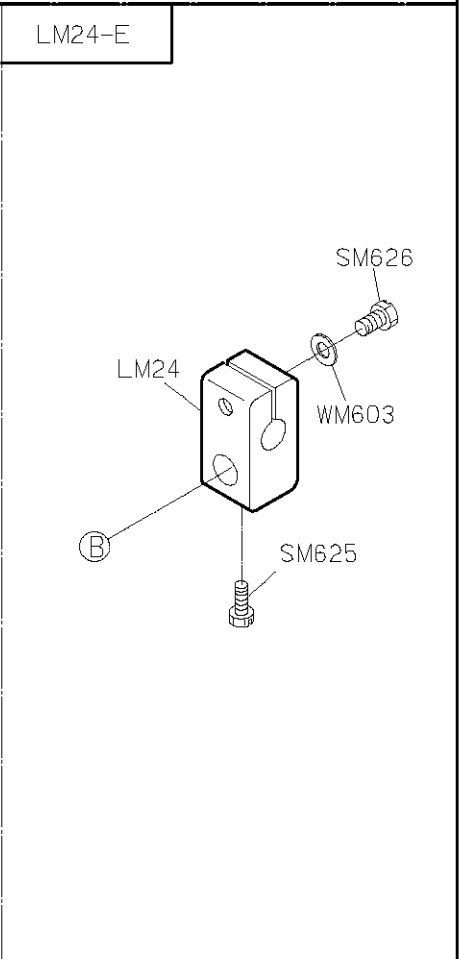
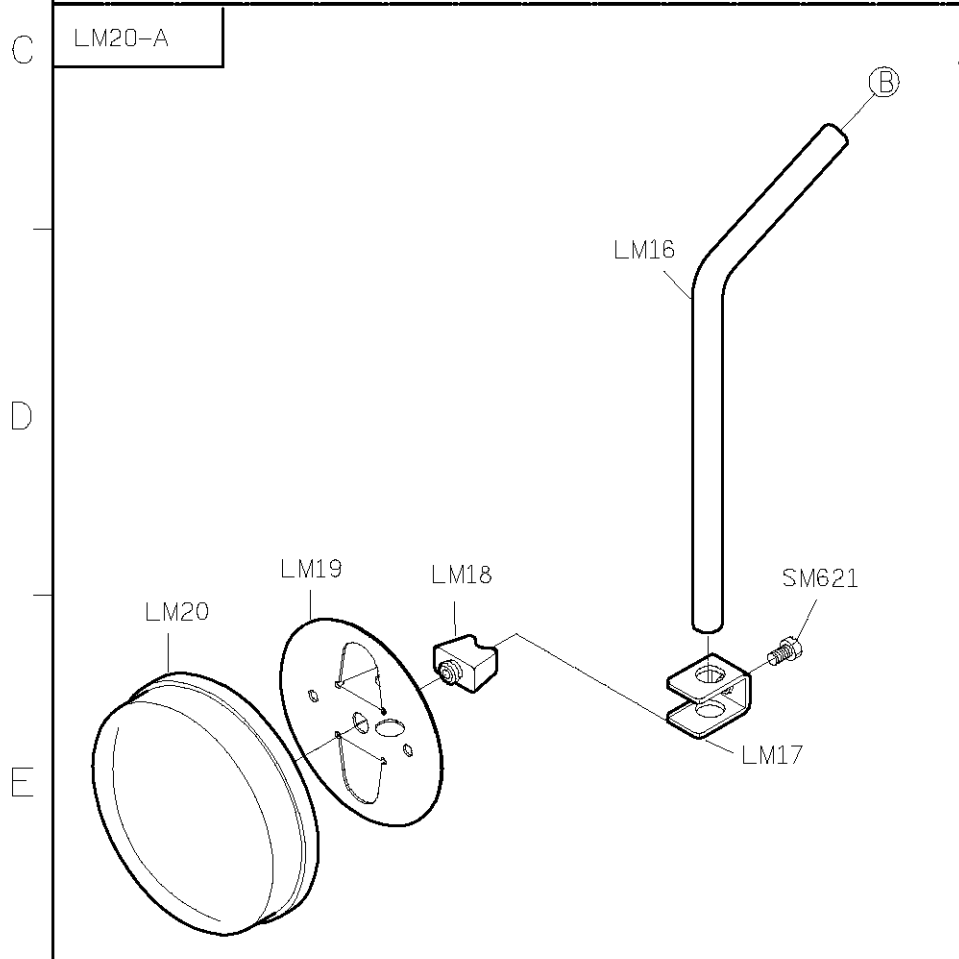
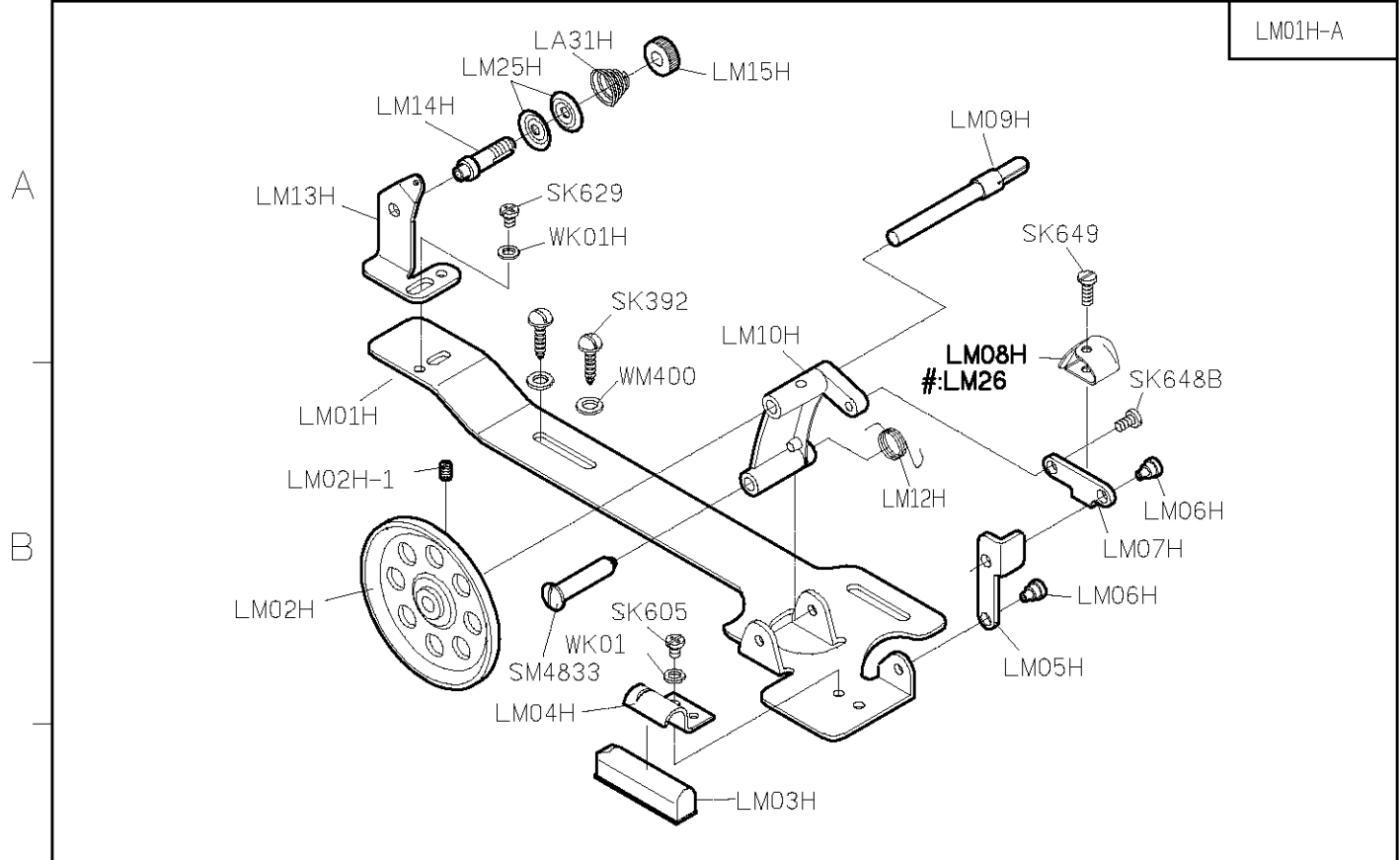
LU149-A



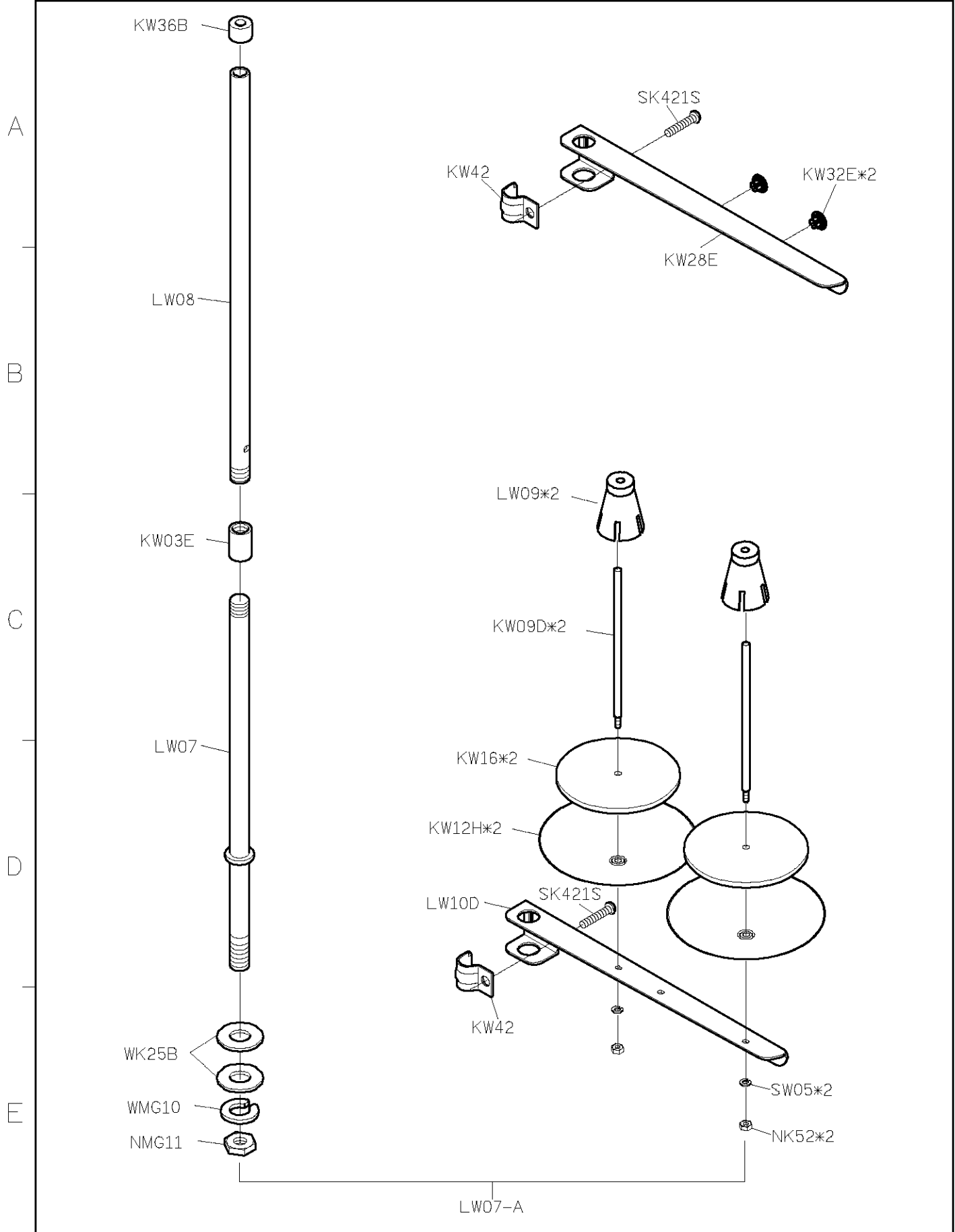
SIRUBA PARTS LIST	Series	Parts Group	Subclass / Remark	Page
	L819U-X1/X2	LU		7/7
				Date
				2012/11/01



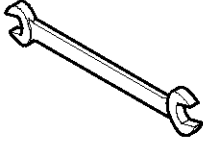
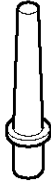
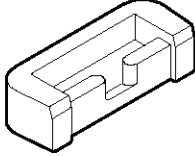
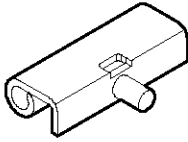
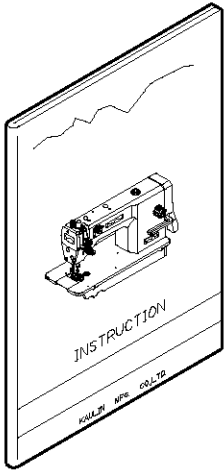
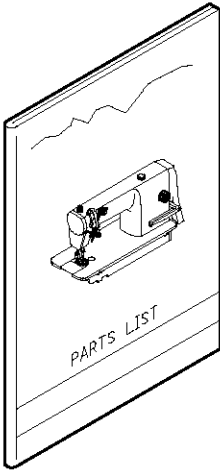
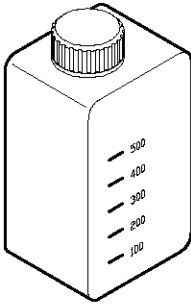


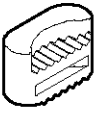

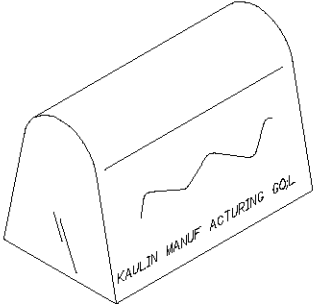
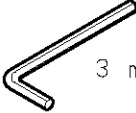

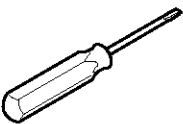
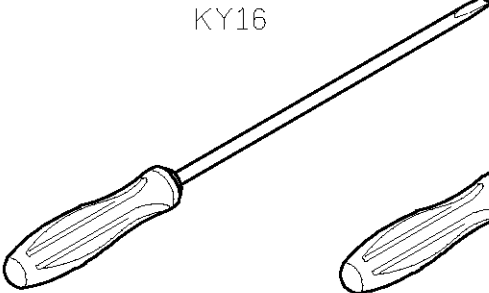
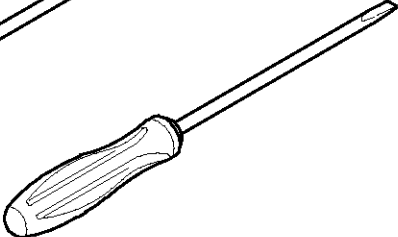

SIRUBA PARTS LIST	Series	Parts Group	Subclass / Remark	Page
	L819U-X1/X2	LM	#:Use for X2	1/1
				Date
				2012/11/01



SIRUBA PARTS LIST	Series	Parts Group	Subclass / Remark	Page
	L819/L819U	LW		1/1
				Date
				2013/04/10

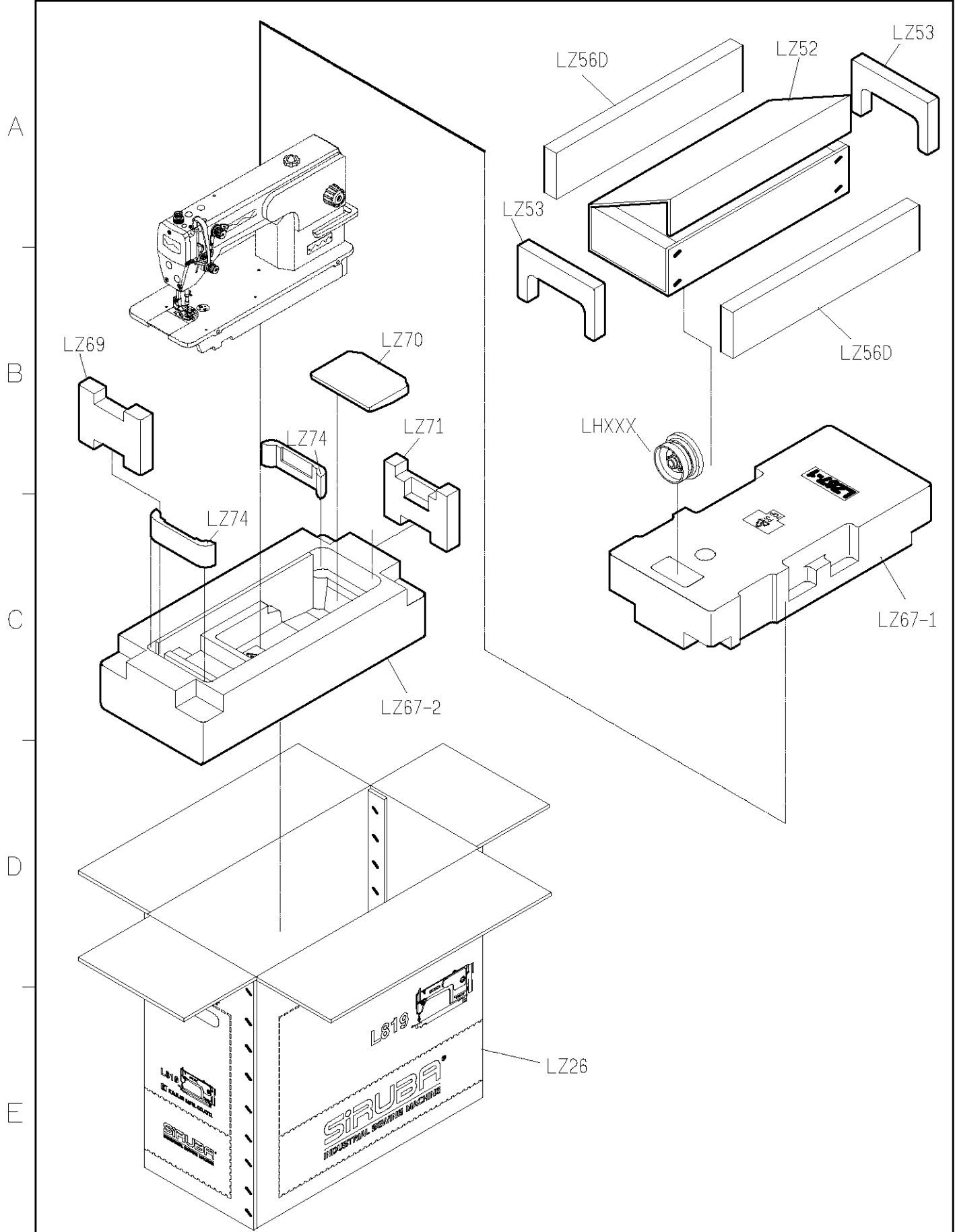


SIRUBA PARTS LIST	Series	Parts Group	Subclass / Remark	Page
	L819U-X1/X2	LY		1/1
				Date
				2012/11/01

A	LY01 	LY02 	YM04*2 	LY05*2 
B	LY10 	LY15 	LY37-A 	YM102*2 
C			G3XX*2 	YM103*2 
D	針*2 	MY01 	MY11  3 mm	KZ03*1 
E	MY13 	KY16 	KY17 	KY26F 

1 2 3 4 5

SIRUBA PARTS LIST	Series	Parts Group	Subclass / Remark	Page
	L819U-X1/X2	LZ		1/1
				Date
				2013/01/01



1 2 3 4 5

SIRUBA TABLE CUT - OUT	Series	Item Code	Subclass / Remark	Mounting
	L818D/L917 L918/L918U L819/L819U	L918-T1		Fully-submerged
				Date
				2013/01/01

