

SIRUBA®

銀箭牌工業用縫紉機

INDUSTRIAL SEWING MACHINE

L818F-RM1

WITH TRIMMER

零件圖 PARTS LIST

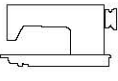

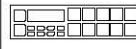
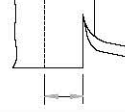
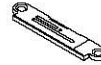
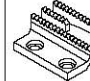

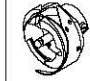


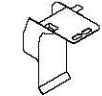



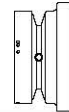


CE

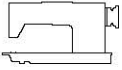

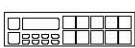
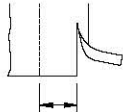

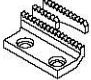

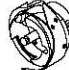


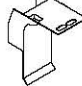



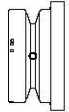


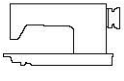


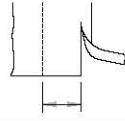
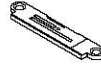
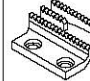



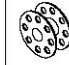
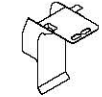



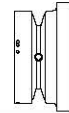
高林股份有限公司
KAULIN MFG. CO., LTD.

From the library of: Superior Sewing Machine & Supply LLC

														
MODEL	SUB-CLASS	OPERATING PANEL	GAUGE WIDTH	NEEDLE PLATE	FEED DOG	PRESSER FOOT	HOOK ASM	BOBBIN CASE ASM	BOBBIN	THROAT PLATE CHIP GUARD	NEEDLE	THREAD GUIDE	THROAT PLATE COVER	HAND WHEEL
機 型	規 格	操作盒	切邊距離	針 板	送 具	押 具	梭 頭	梭 殼	梭 子	下導布架	針 號	導線片	布板蓋	皮帶輪
L818F-RM1-32-00 L818F-RM1-32-03	32	LA55F-A	1/8" (3.2mm)	E705S E705Q	D702 D705	P701 P705	G121	G202	G303	LR104D LR104DS	DB*1#14	LR141 LR141S	LR106S LR106	LH101-A
L818F-RM1-32-10 L818F-RM1-32-13		LA53G-A												LH101-A
L818F-RM1-32-K10 L818F-RM1-32-K13		L600A												LH101P-A
L818F-RM1-40-00 L818F-RM1-40-03	40	LA55F-A	5/32" (4.0mm)	E705R E705Q	D705	P705	G121	G202	G303	LR104DS	DB*1#14	LR141S	LR106	LH101-A
L818F-RM1-40-10 L818F-RM1-40-13		LA53G-A												LH101-A
L818F-RM1-40-K10 L818F-RM1-40-K13		L600A												LH101P-A

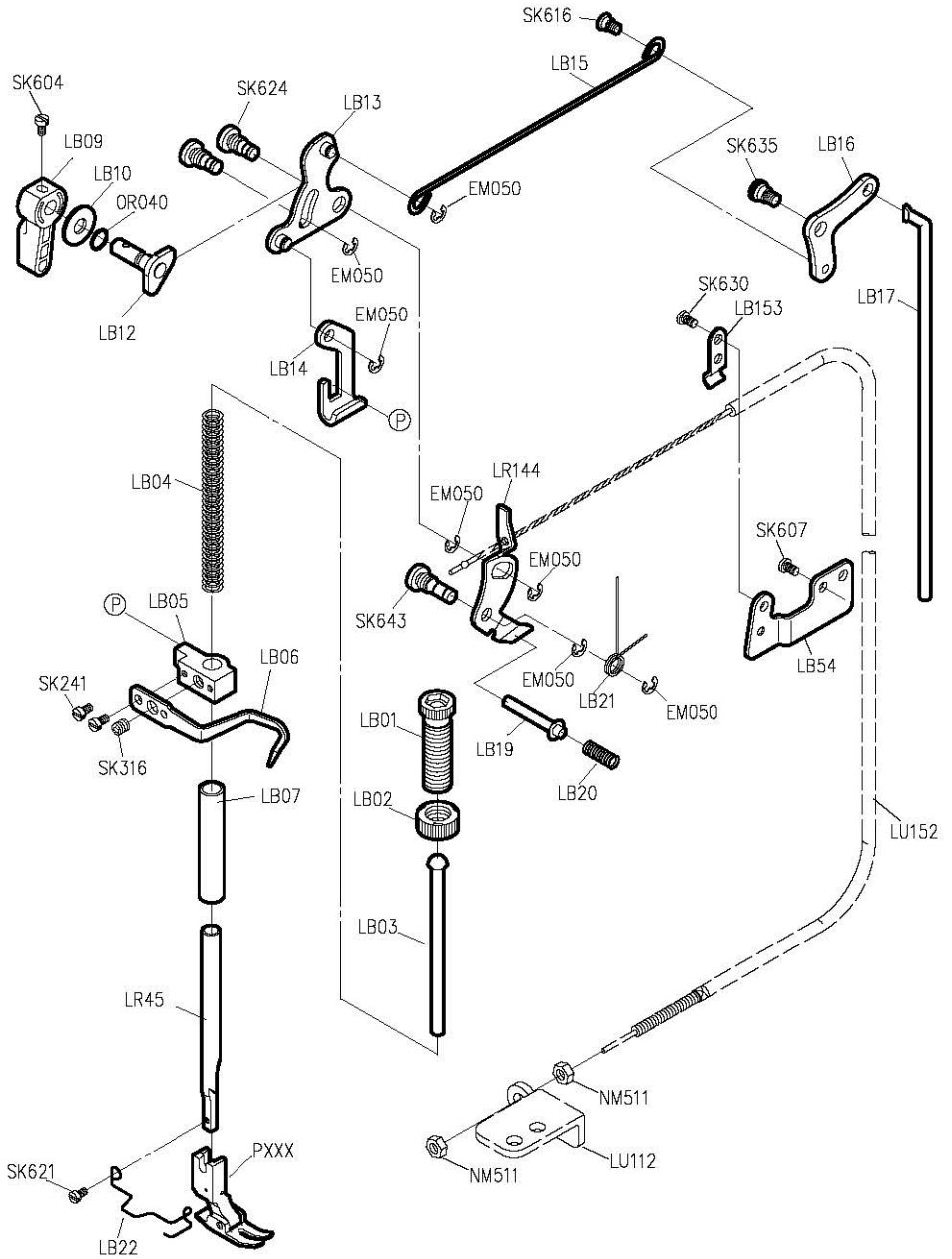
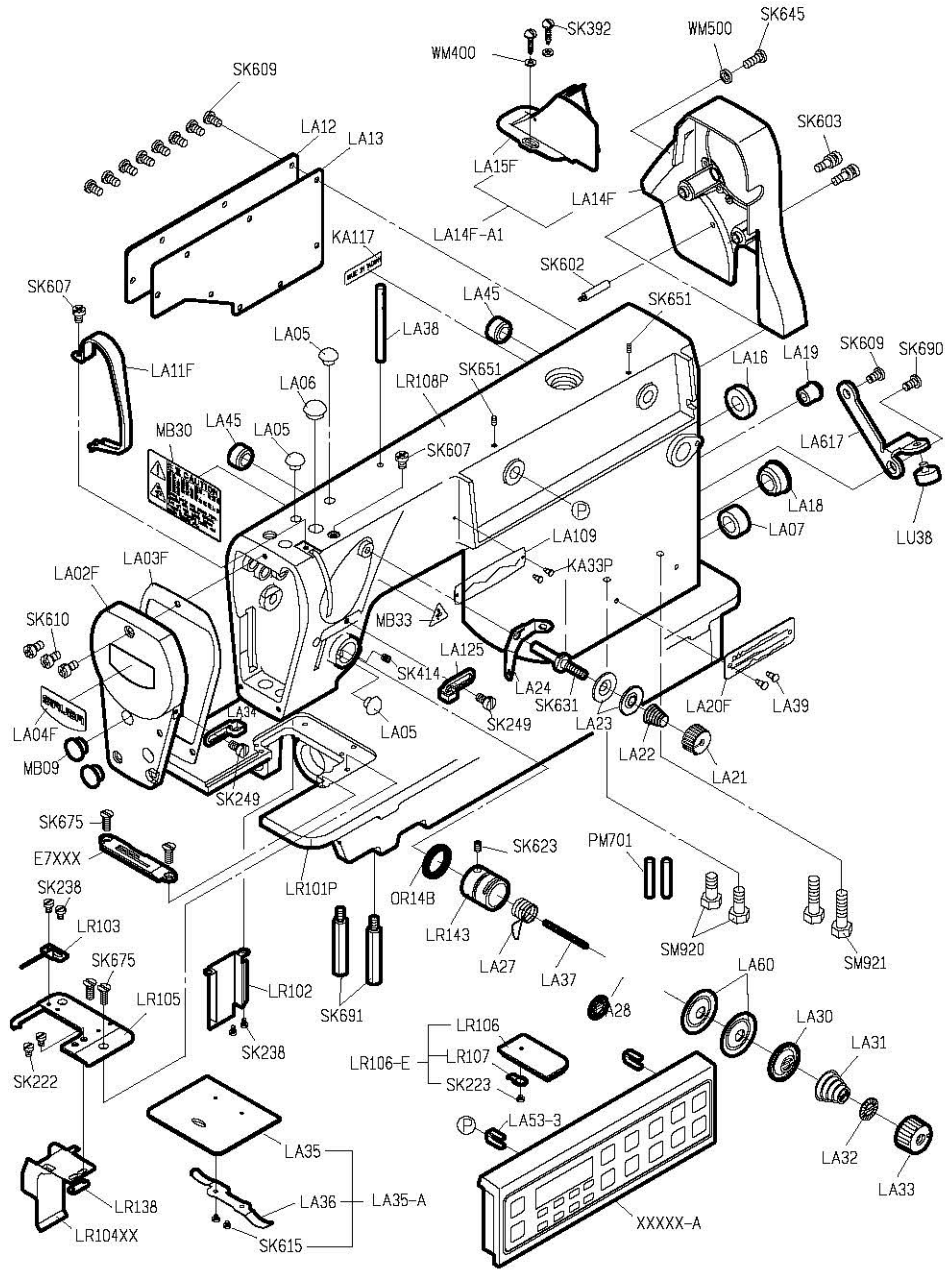
規格件表 CONVERSION CHART-2

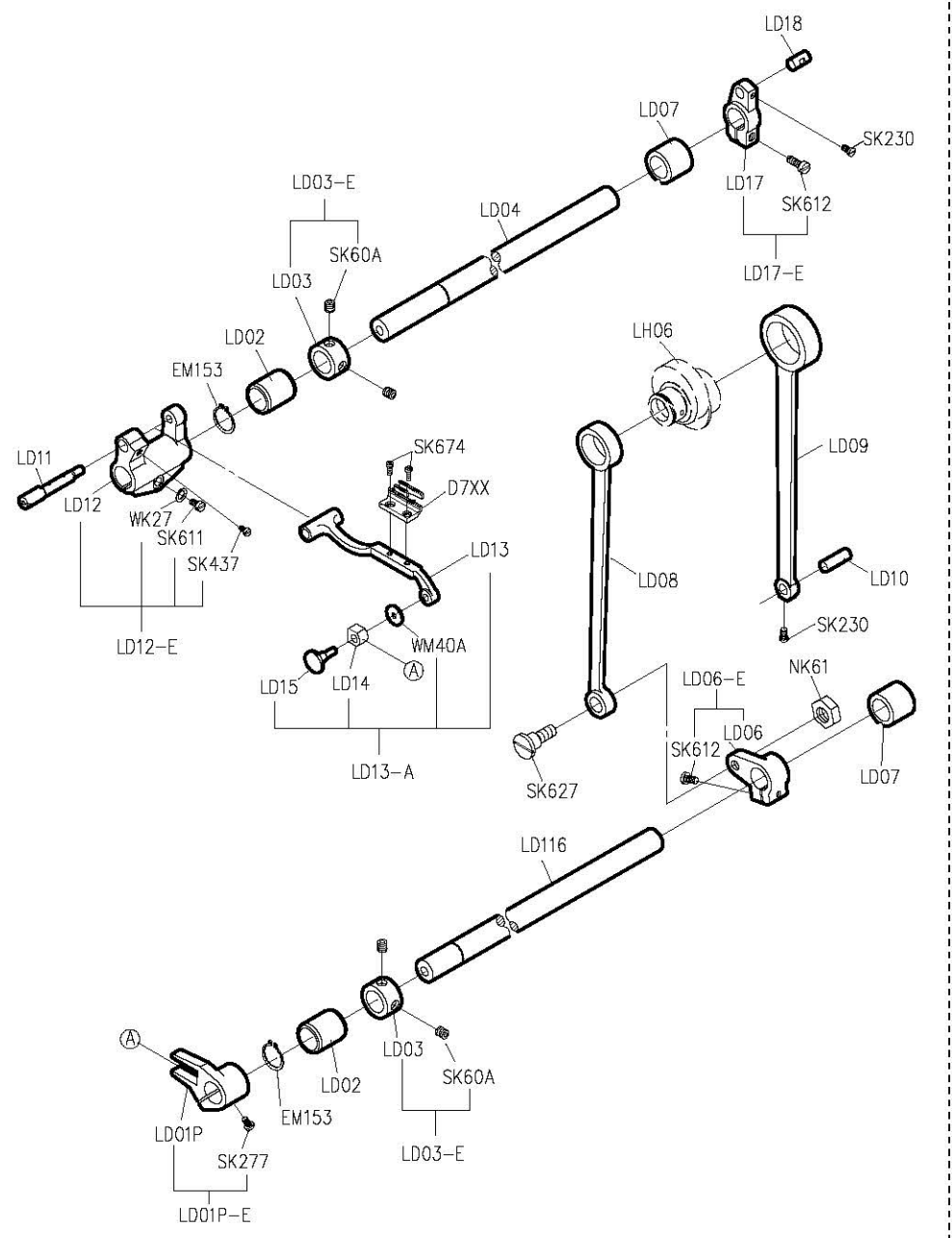
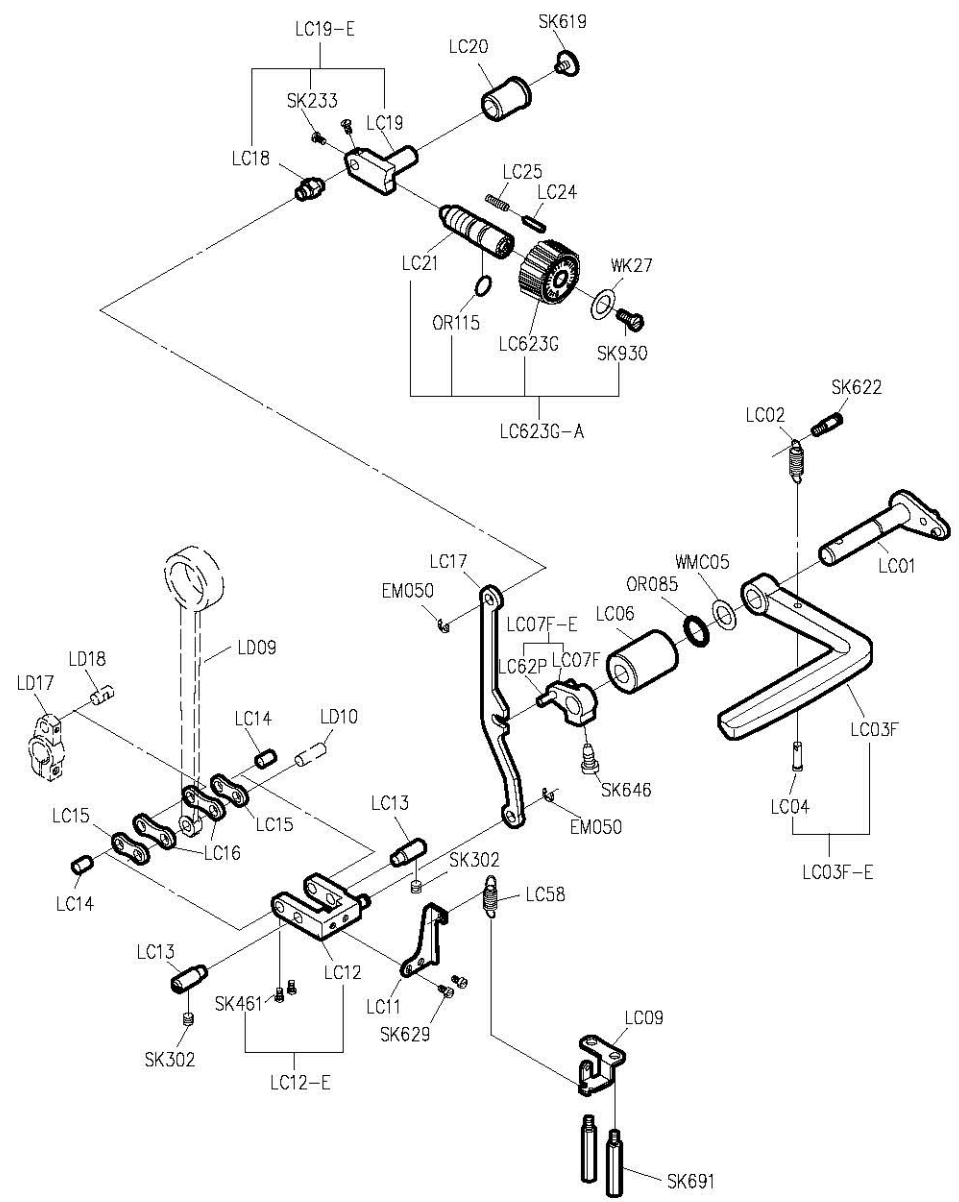
														
MODEL	SUB-CLASS	OPERATING PANEL	GAUGE WIDTH	NEEDLE PLATE	FEED DOG	PRESSER FOOT	HOOK ASM	BOBBIN CASE ASM	BOBBIN	THROAT PLATE CHIP GUARD	NEEDLE	THREAD GUIDE	THROAT PLATE COVER	HAND WHEEL
機 型	規 格	操作盒	切邊距離	針 板	送 具	押 具	梭 頭	梭 殼	梭 子	下導布架	針 號	導線片	布板蓋	皮帶輪
L818F-RM1-48-00 L818F-RM1-48-03	48	LA55F-A	3/16" (4.8mm)	E705 E705Q	D705	P705	G121	G202	G303	LR104DS	DB*1#14	LR141S	LR106	LH101-A
L818F-RM1-48-10 L818F-RM1-48-13		LA53G-A												LH101-A
L818F-RM1-48-K10 L818F-RM1-48-K13		L600A												LH101P-A
L818F-RM1-64-00 L818F-RM1-64-03	64	LA55F-A	1/4" (6.4mm)	E705S E705Q	D702 D705	P701 P705	G121	G202	G303	LR104D LR104DS	DB*1#14	LR141 LR141S	LR106 LR106S	LH101-A
L818F-RM1-64-10 L818F-RM1-64-13		LA53G-A												LH101Q-A
L818F-RM1-64-K10 L818F-RM1-64-K13		L600A												LH101P-A

														
MODEL	SUB-CLASS	OPERATING PANEL	GAUGE WIDTH	NEEDLE PLATE	FEED DOG	PRESSER FOOT	HOOK ASM	BOBBIN CASE ASM	BOBBIN	THROAT PLATE CHIP GUARD	NEEDLE	THREAD GUIDE	THROAT PLATE COVER	HAND WHEEL
機 型	規 格	操作盒	切邊距離	針 板	送 具	押 具	梭 頭	梭 殼	梭 子	下導布架	針 號	導線片	布板蓋	皮帶輪
L818F-RM1-95-00 L818F-RM1-95-03	95	LA55F-A	3/8" (9.5mm)	E705T E705Q	D702 D705	P701 P705	G121	G202	G303	LR104D LR104DS	DB*1#14	LR141 LR141S	LR106 LR106T	LH101-A
L818F-RM1-95-10 L818F-RM1-95-13		LA53G-A												LH101-A
L818F-RM1-95-K10 L818F-RM1-95-K13		L600A												LH101P-A

PARTS LIST FOR LA GROUP

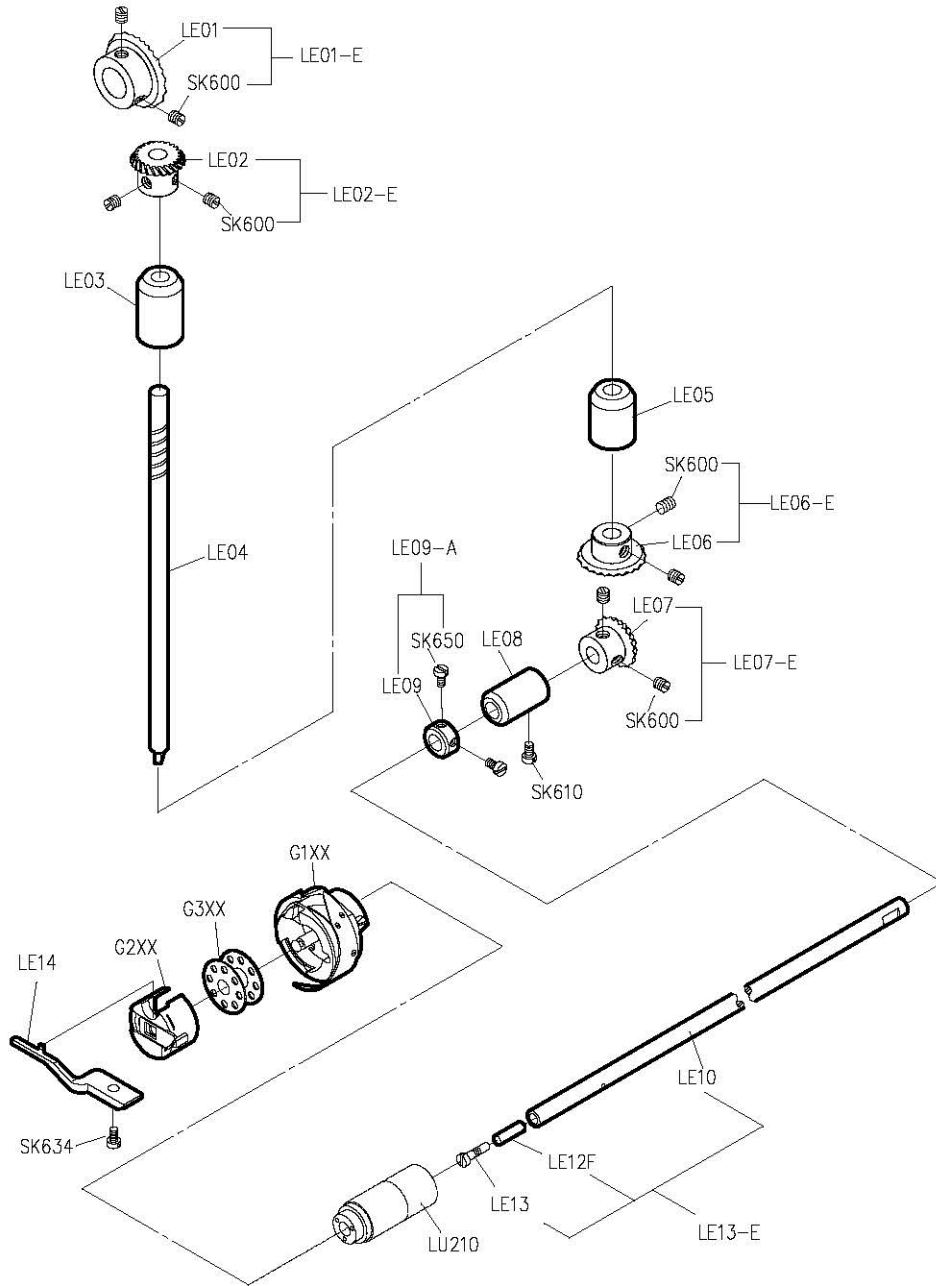
PARTS LIST FOR LB GROUP



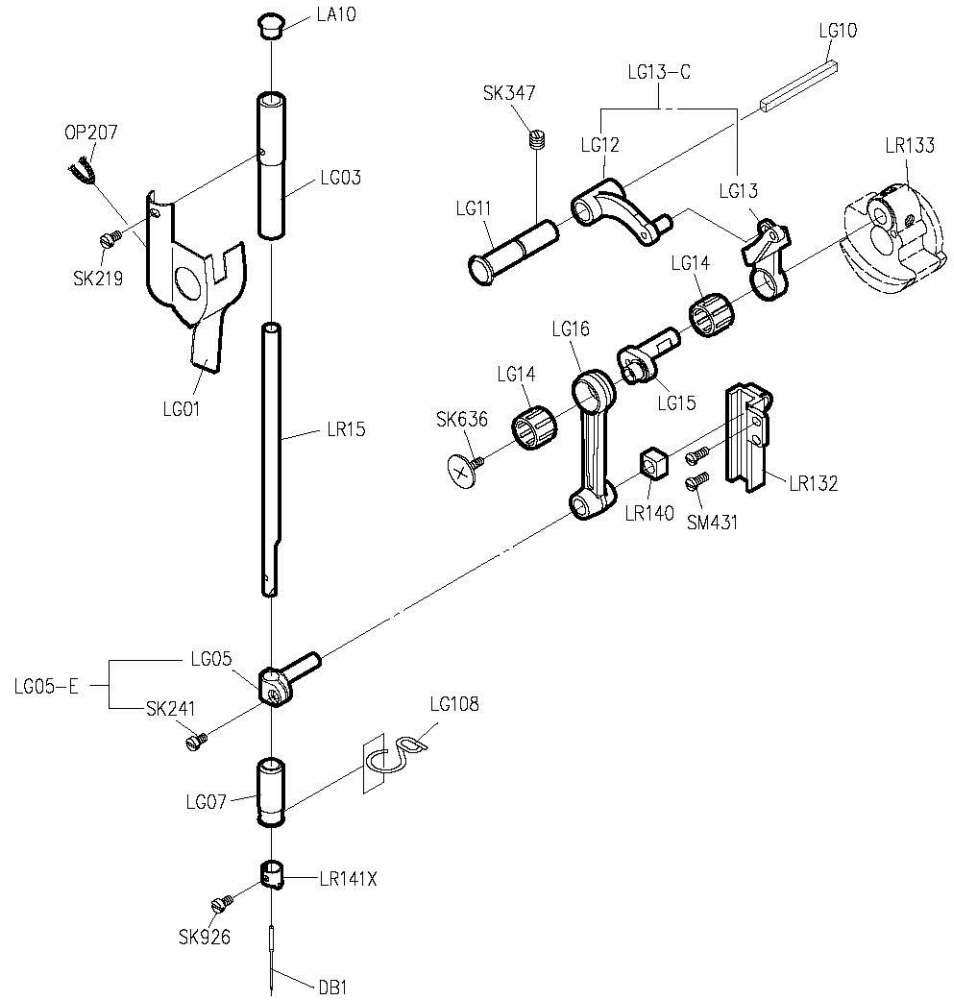


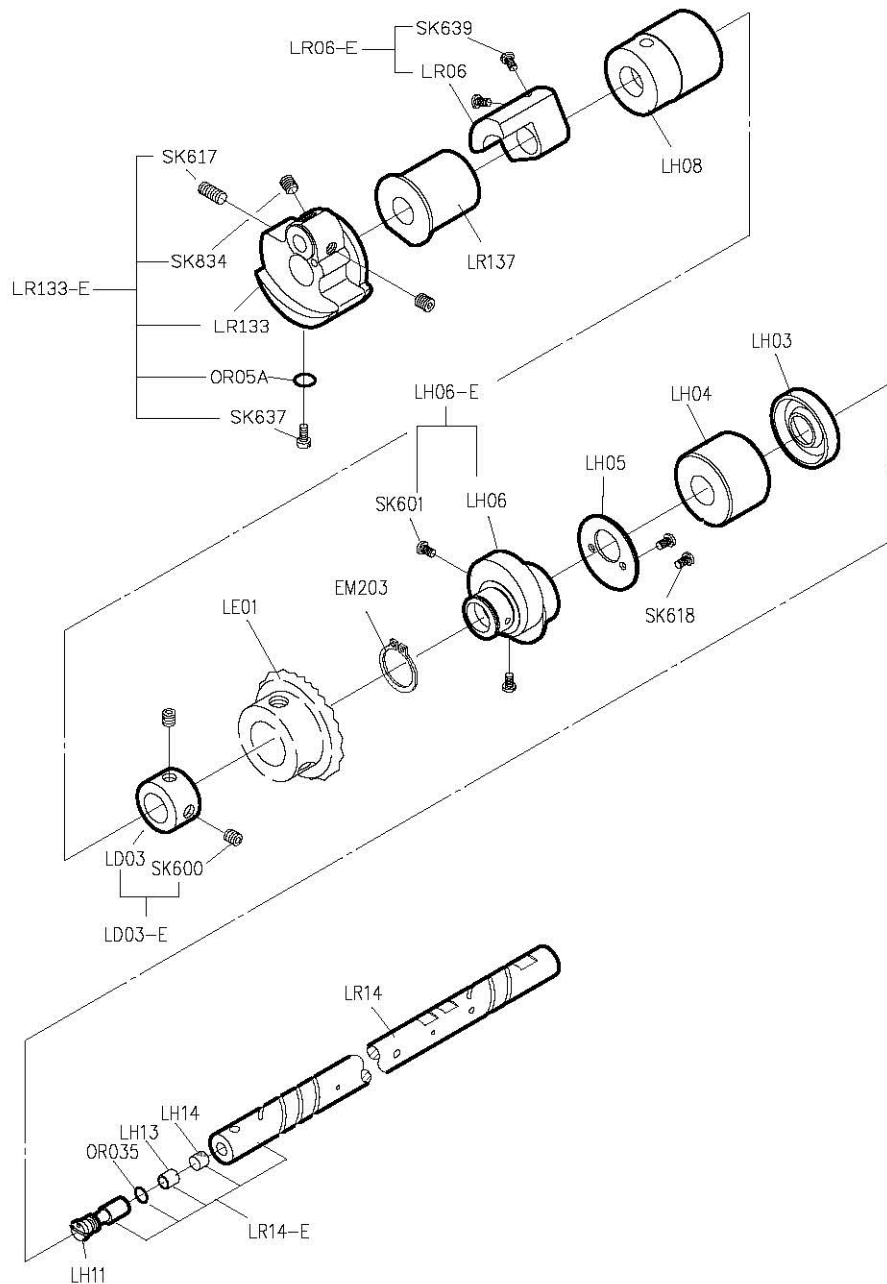
PARTS LIST From The library of: Superior Sewing Machine & Supply, LLC **PARTS LIST** FOR LD GROUP

PARTS LIST FOR LE GROUP

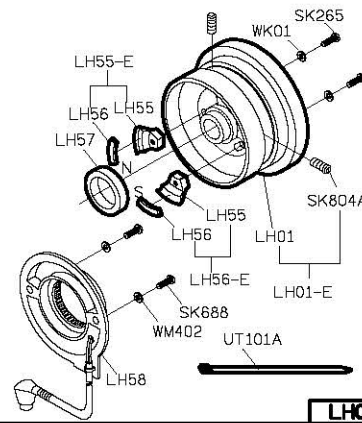


PARTS LIST FOR LG GROUP

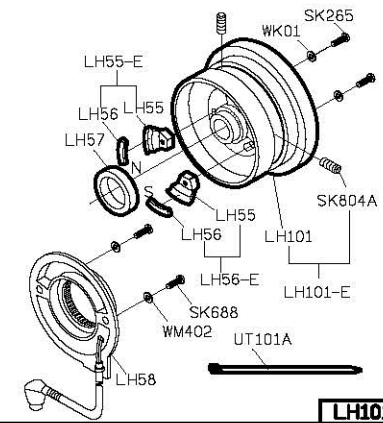




H 廠牌馬達

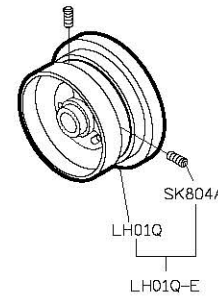


LH01-A

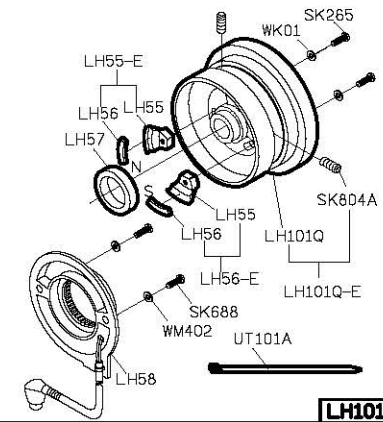


LH101-A

其他廠牌馬達

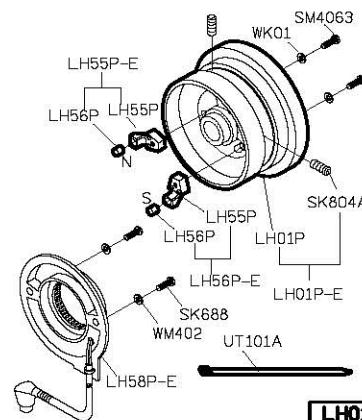


LH01Q-E

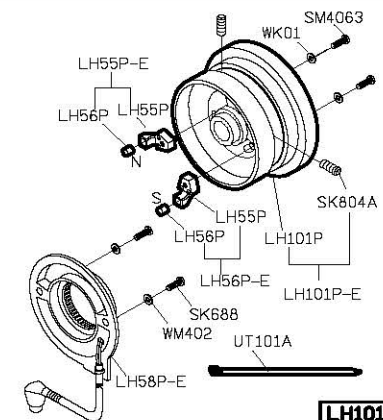


LH101Q-A

P 廠牌馬達



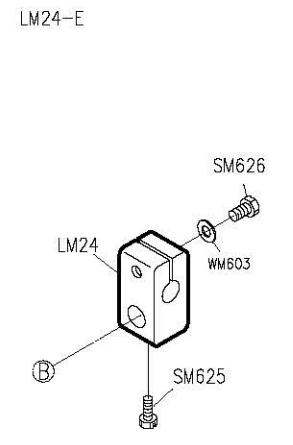
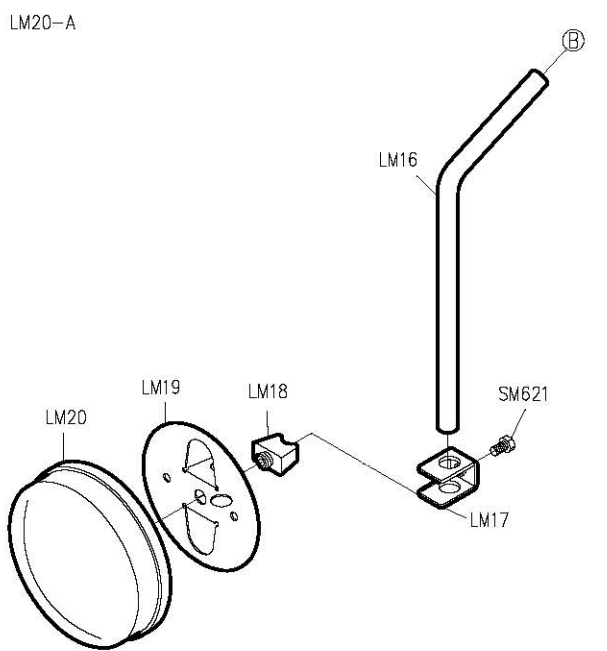
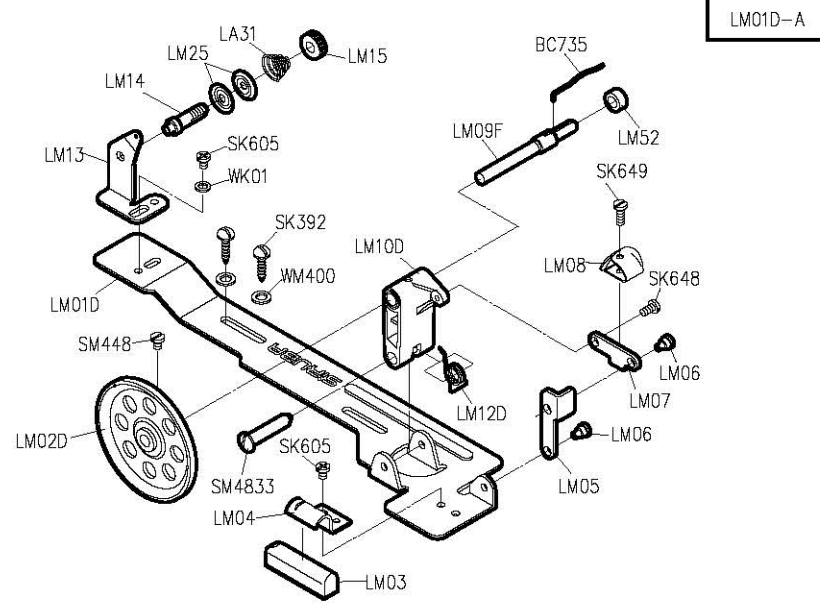
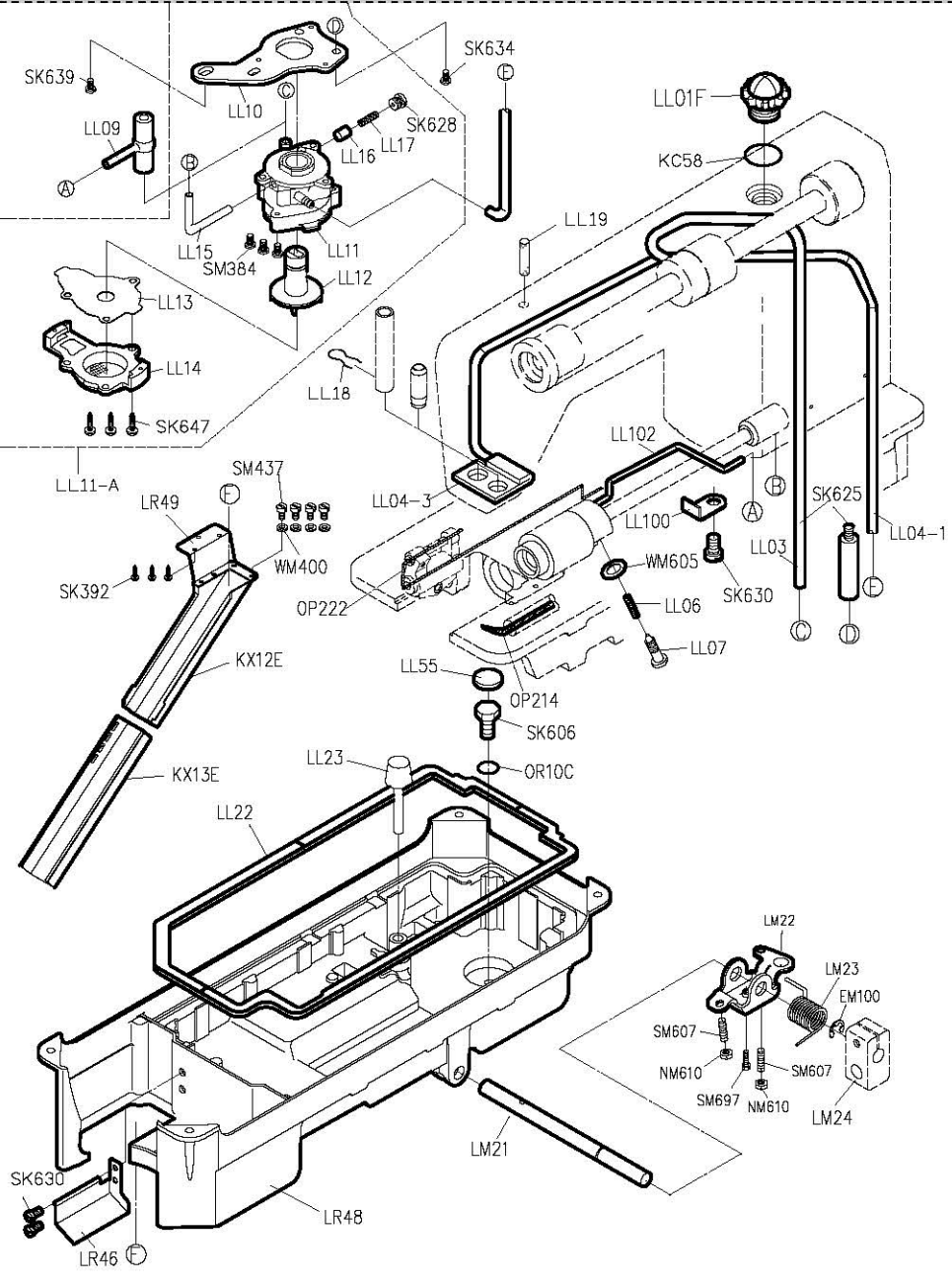
LH01P-A

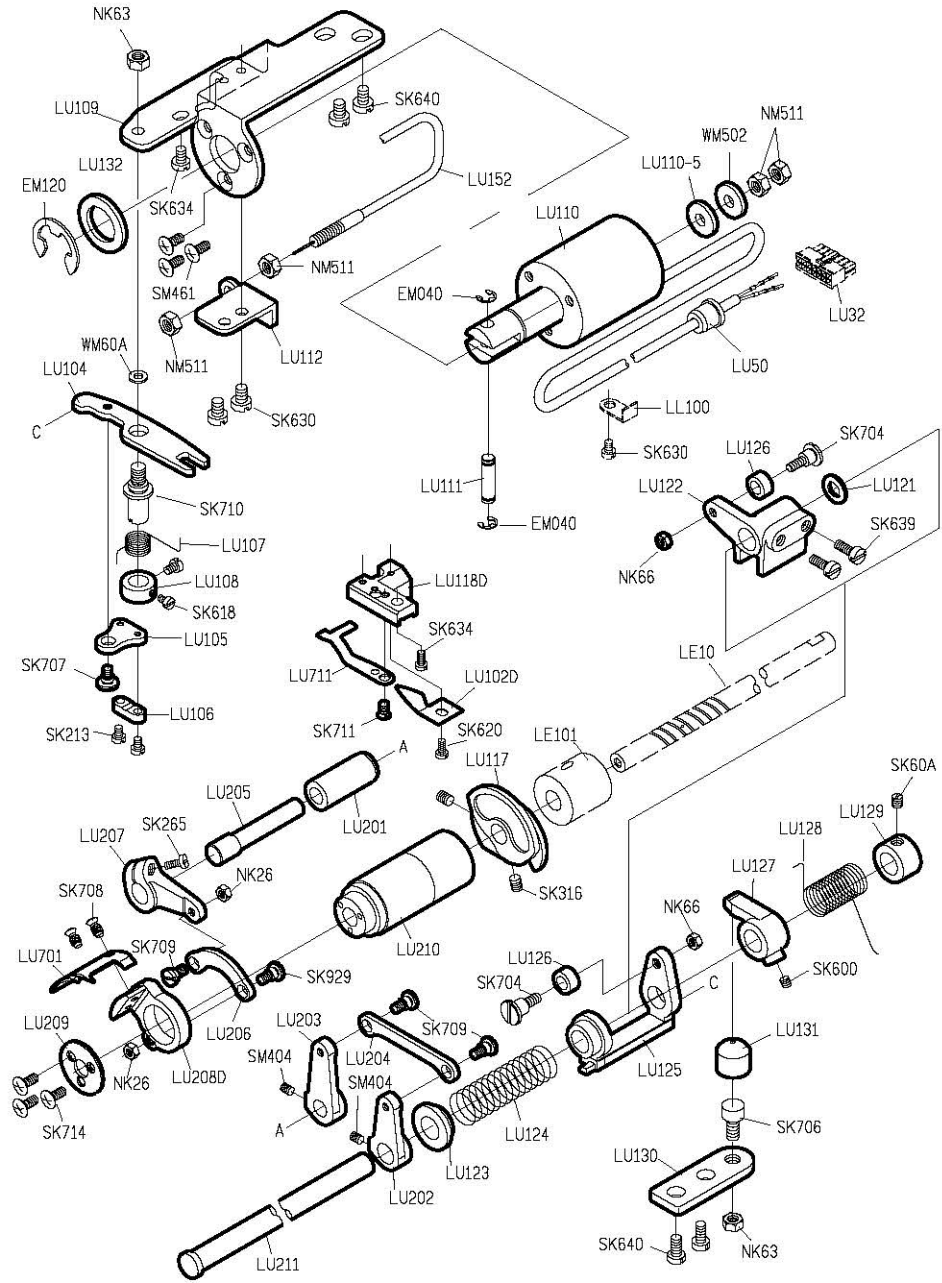
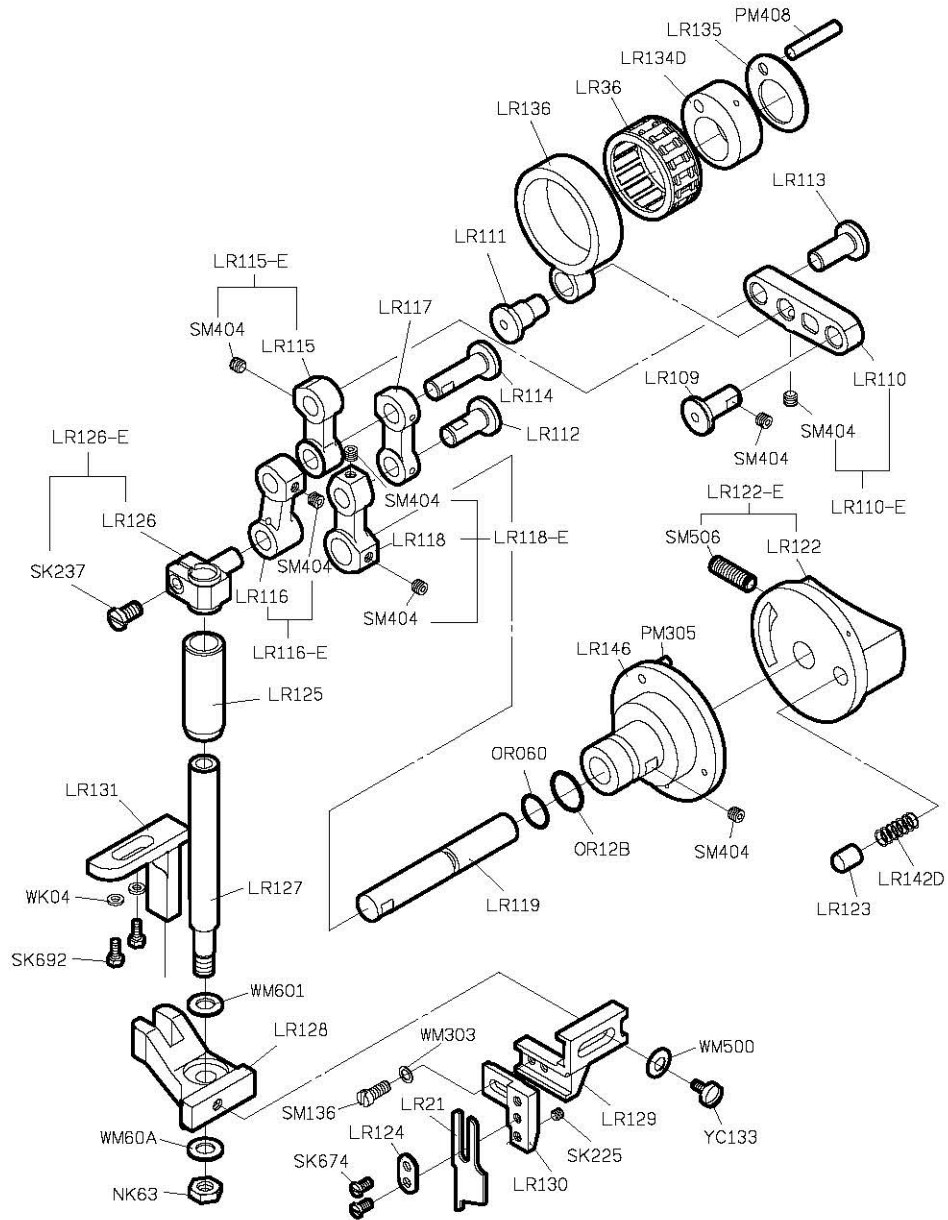


LH101P-A

PARTS LIST FOR LL GROUP

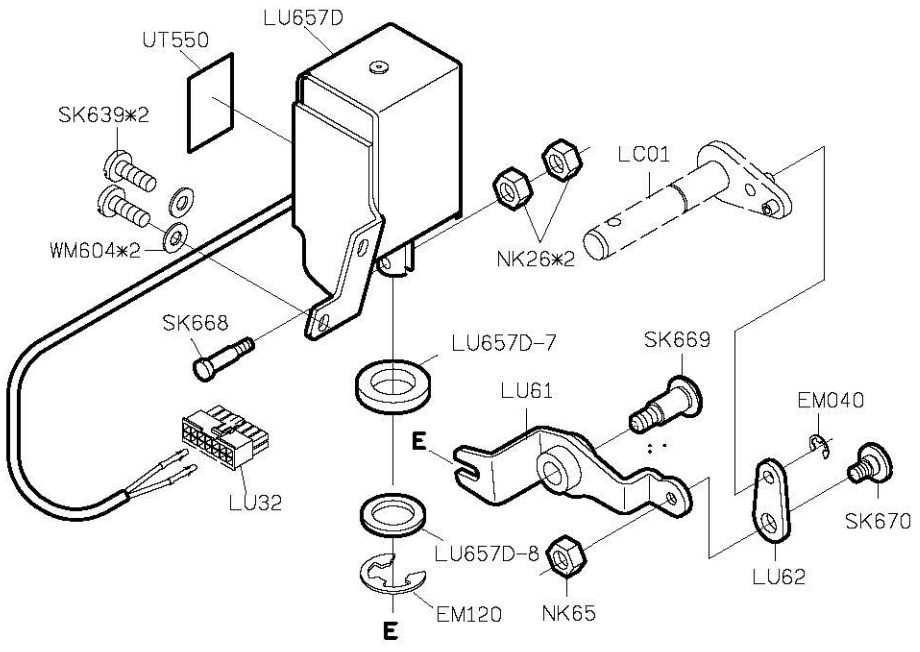
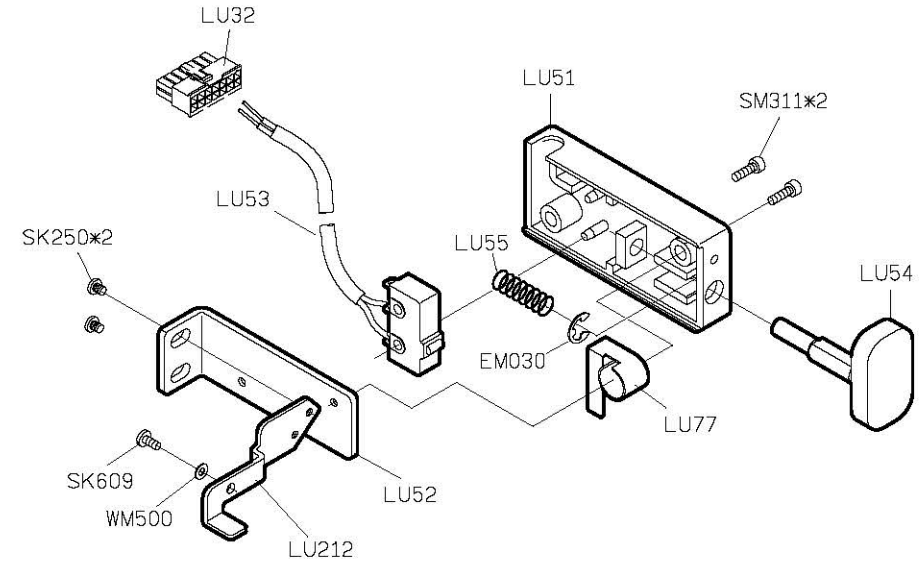
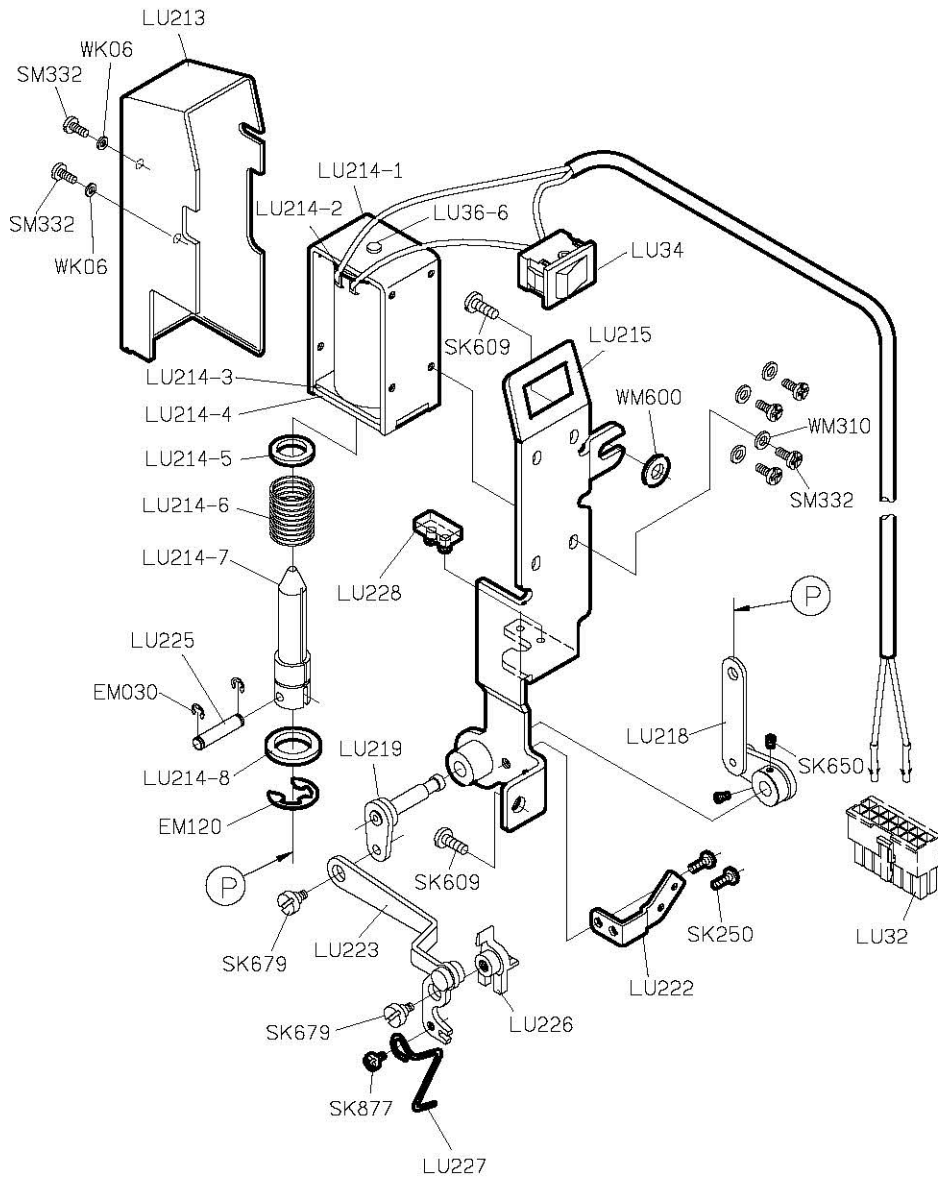
PARTS LIST FOR LM GROUP

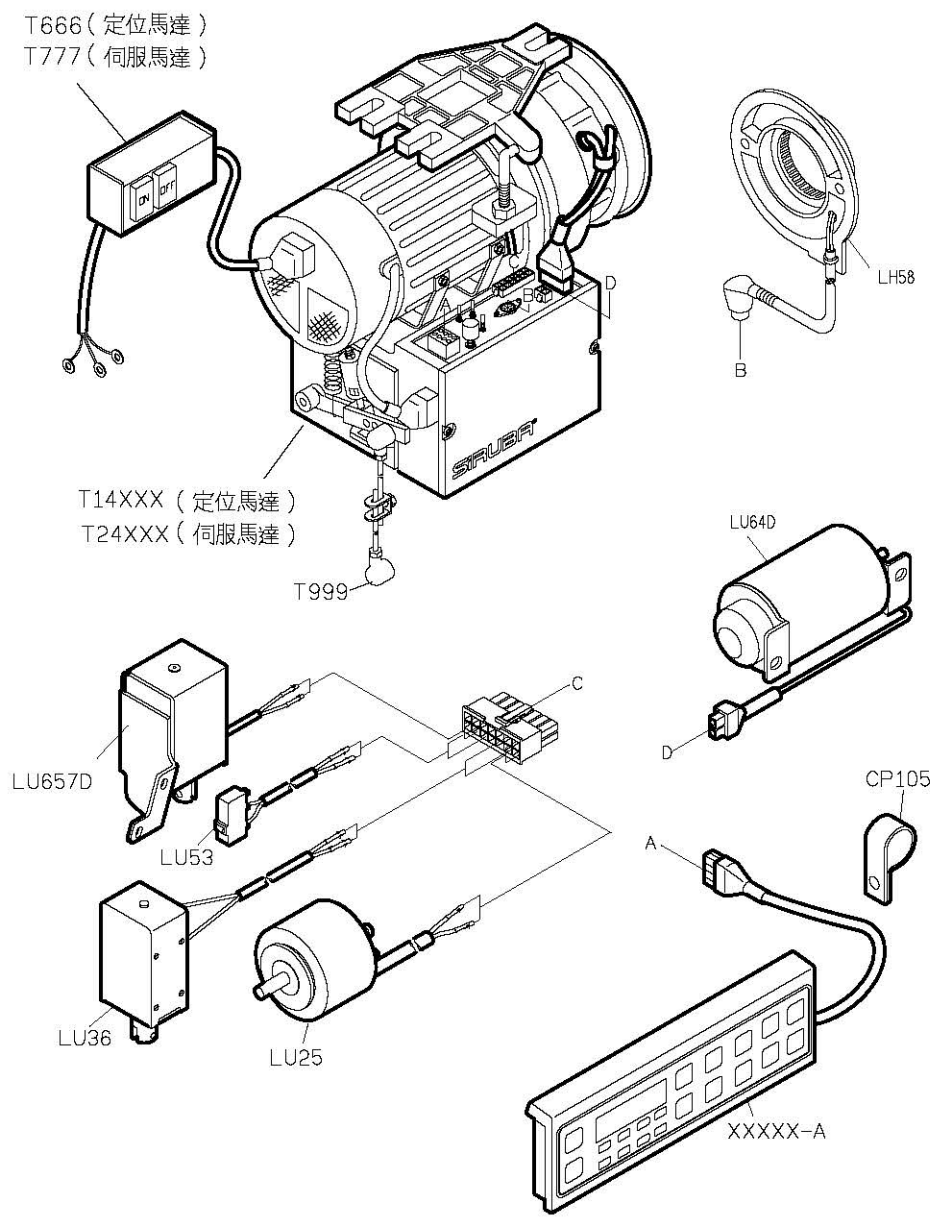
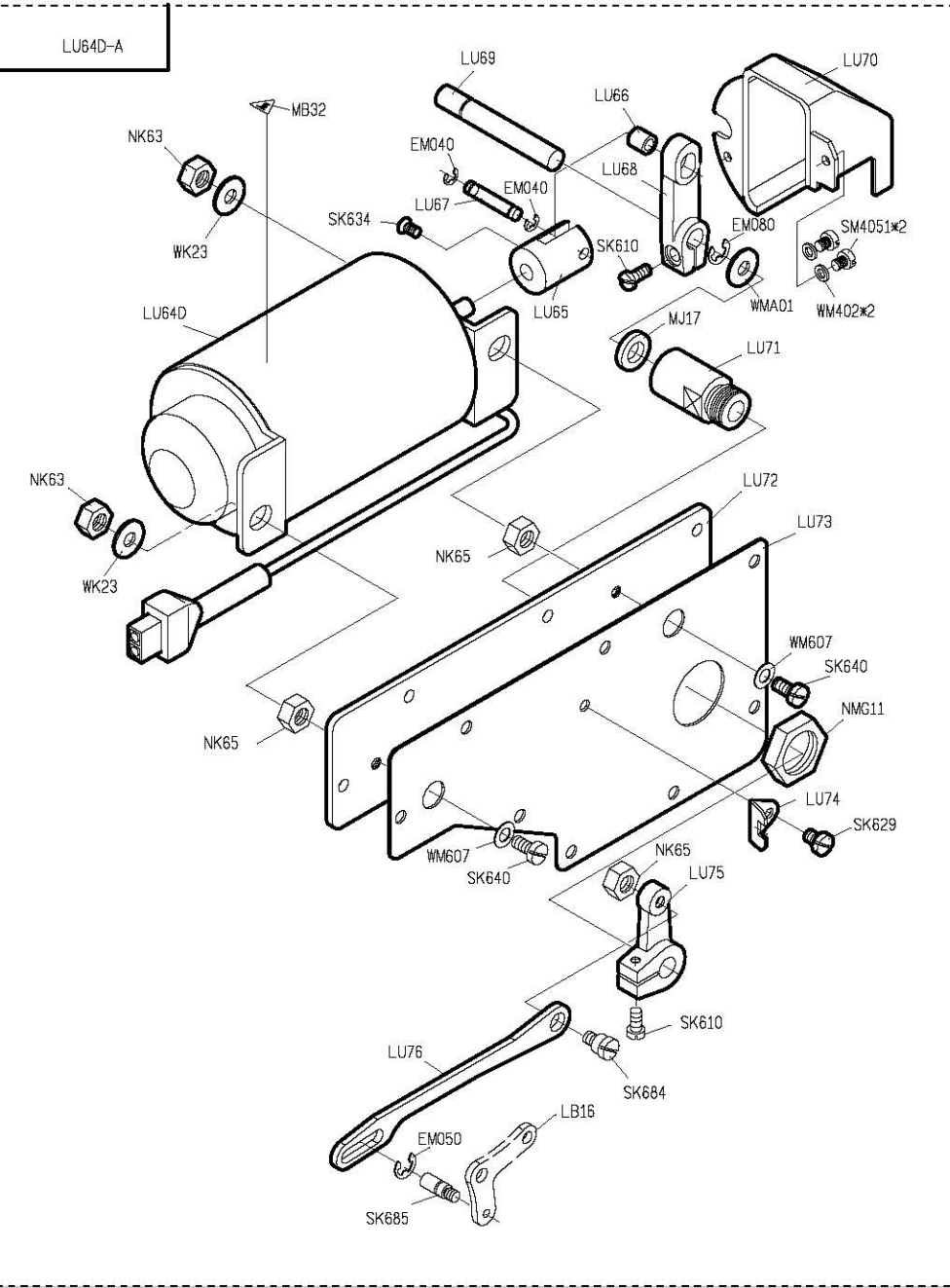




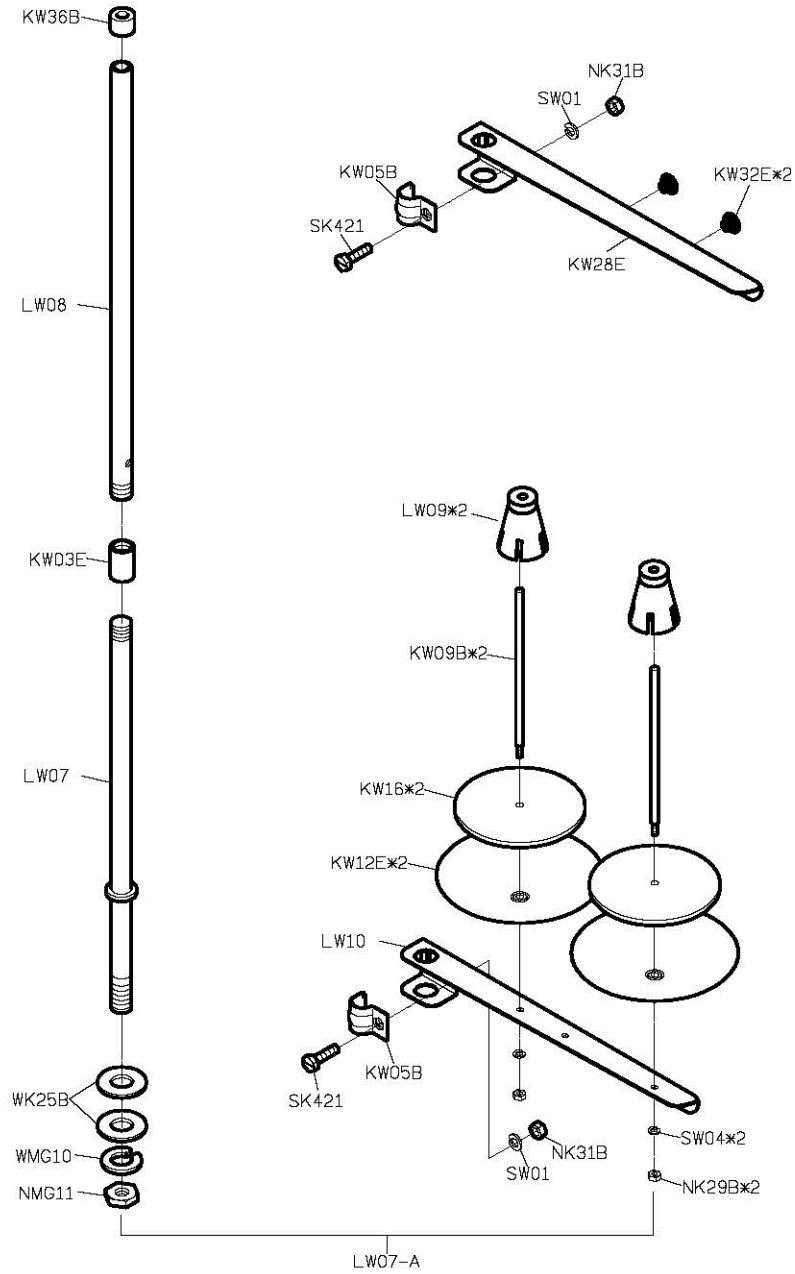
PARTS LIST FOR LU GROUP

PARTS LIST FOR LU GROUP

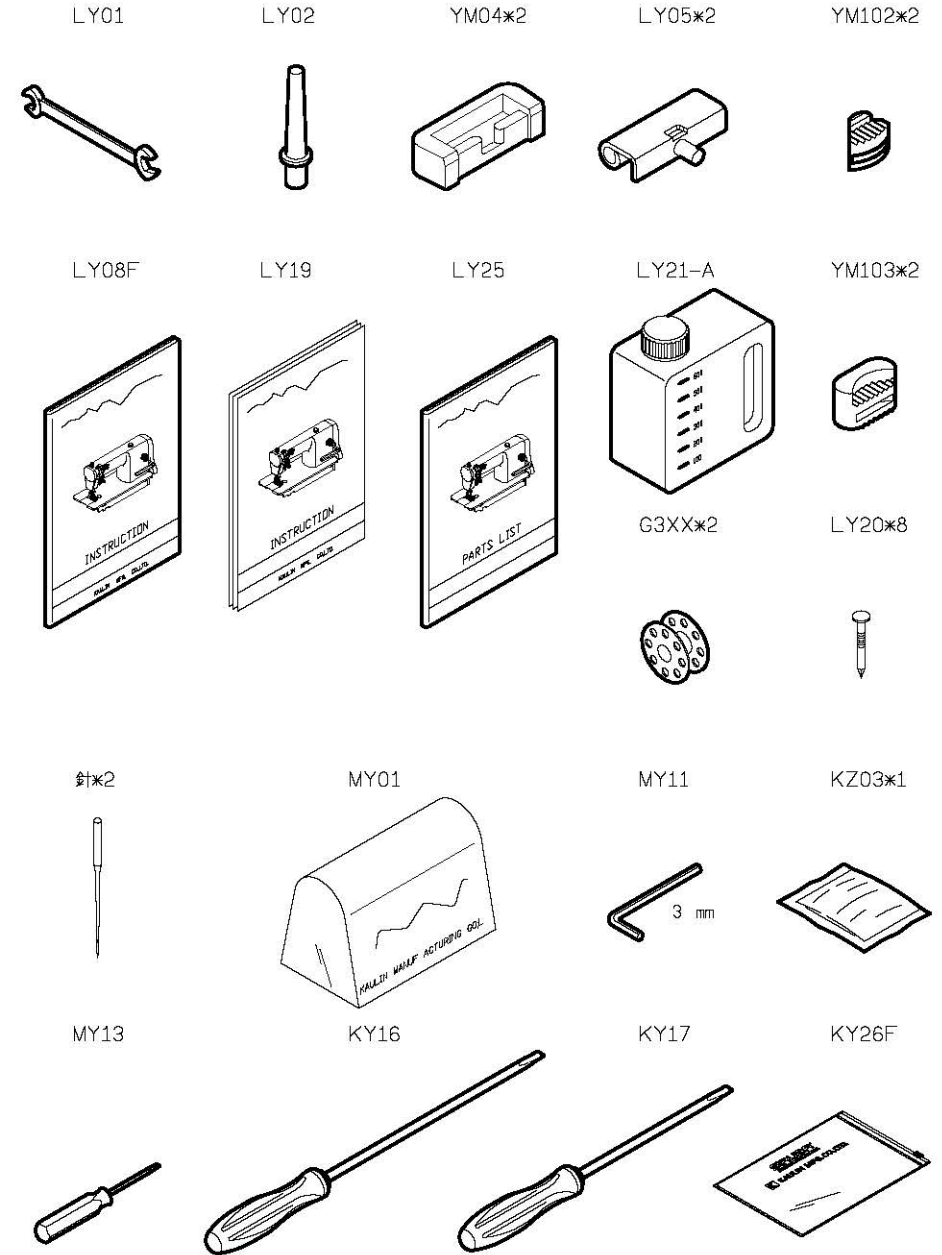


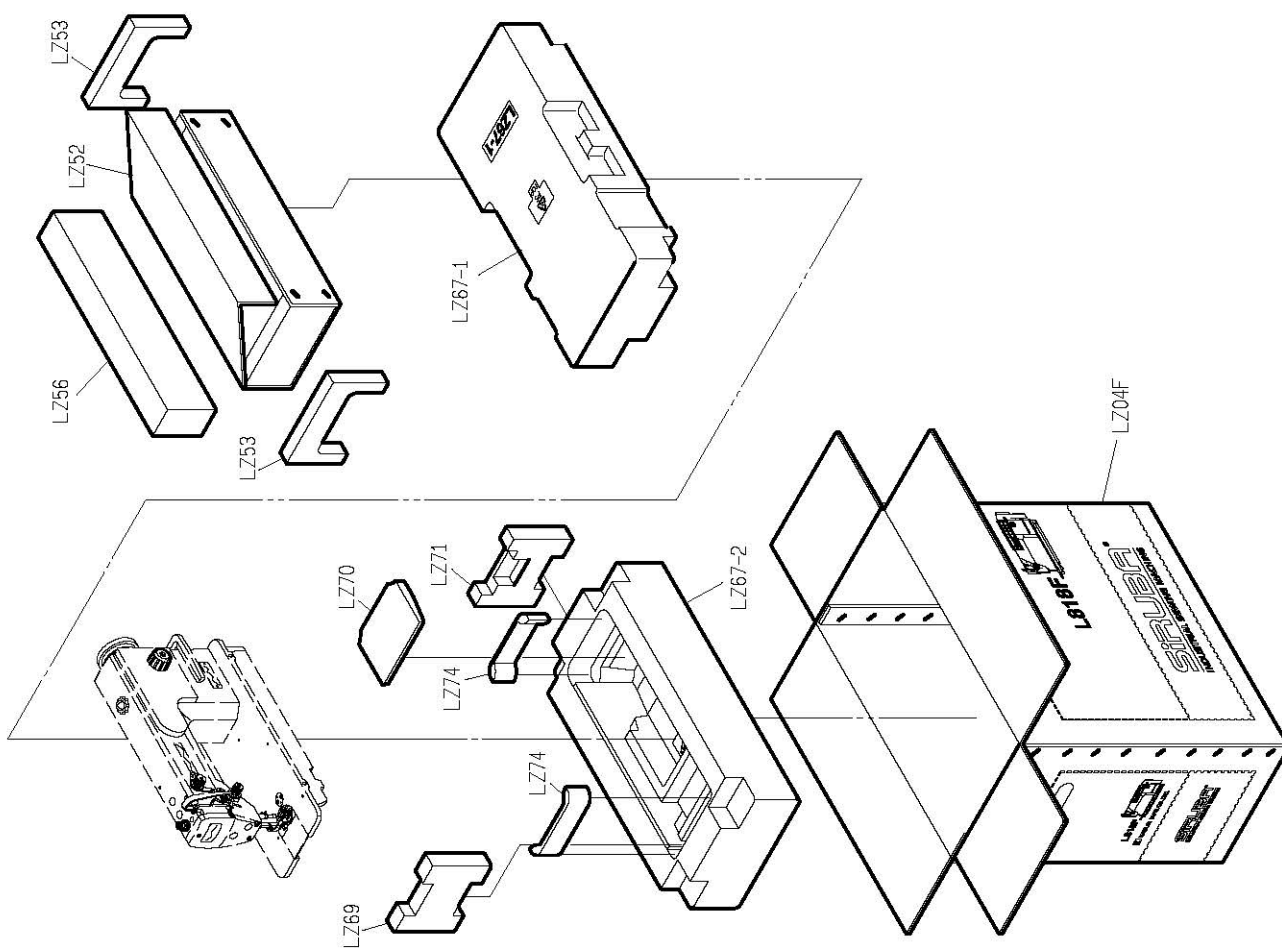


PARTS LIST FOR THREAD STAND GROUP



PARTS LIST FOR LY GROUP







L818F-RM1

WITH TRIMMER

高林股份有限公司 KAULIN MFG. CO., LTD.