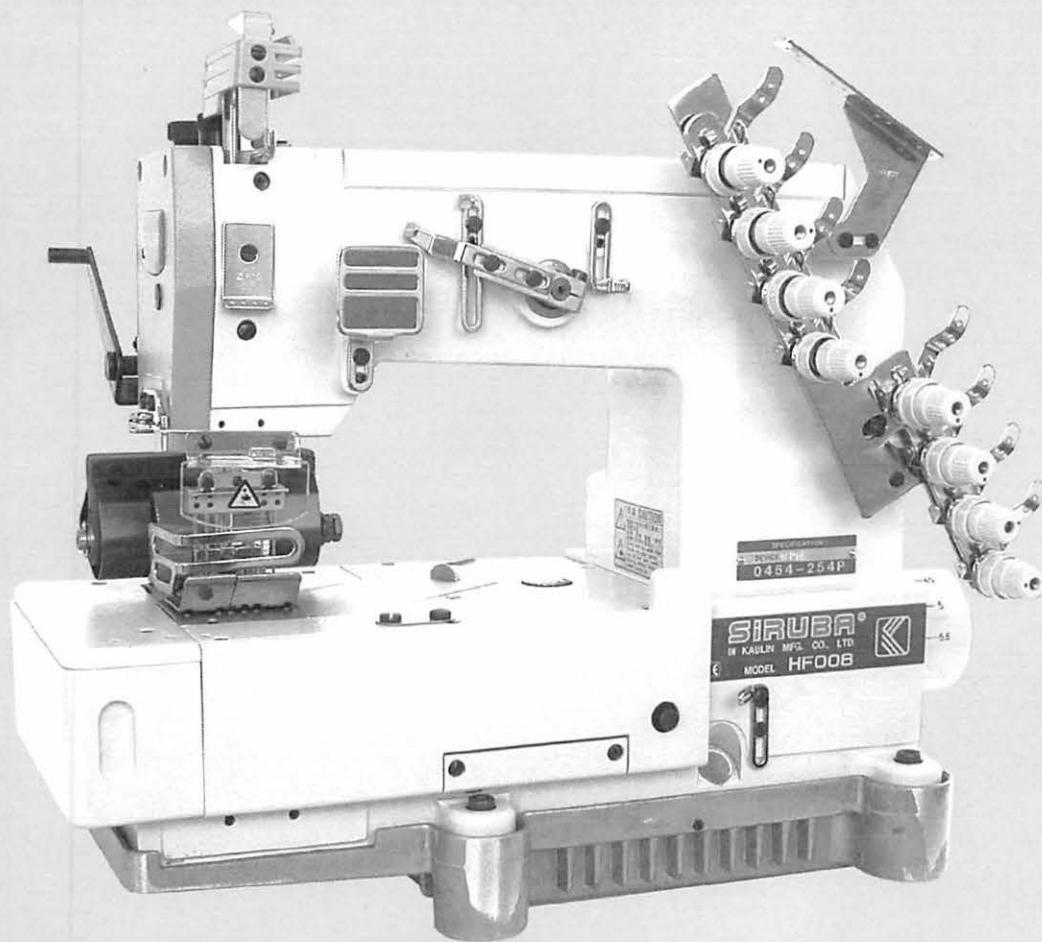


SIRUBA®

銀箭牌工業用縫紉機
INDUSTRIAL SEWING MACHINE

HF008

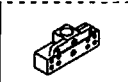


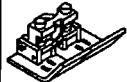




零件圖 PARTS LIST



CE

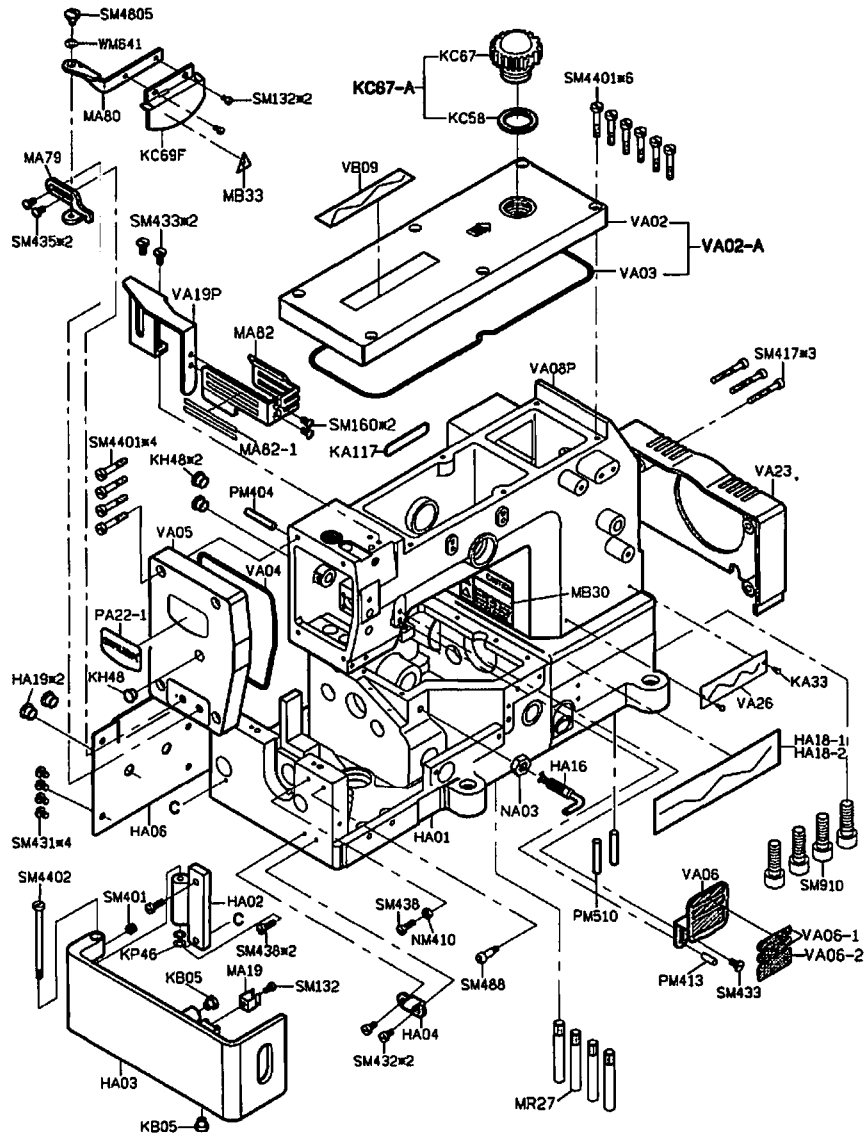
 高林股份有限公司
KAULIN MFG. CO., LTD.

From the library of: Superior Sewing Machine & Supply LLC

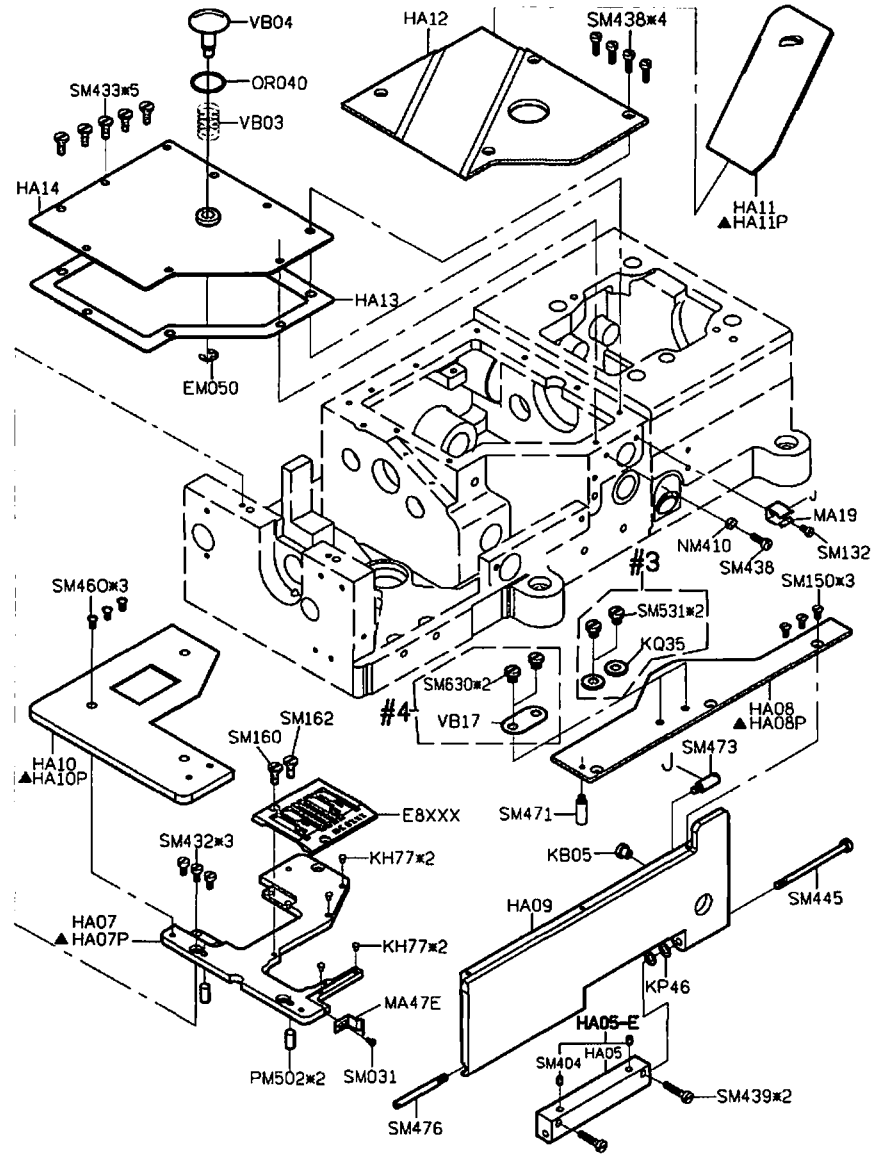
機 型 MODEL	規格 SVB CLASS	種 類 NEEDLE GAUGE										針 號 NEEDLE
			針座 NEEDLE HOLDER	針板 NEEDLE PLATE	送 具 FEED DOG	押 具 PRESSER FOOT	針 棒 NEEDLE BAR	針 頂 NEEDLE GUARD	勾 針 LOOPER	勾針座 LOOPER HOLDER		
HF008-02/HHD	064	1/4"	M8003	E8003	D8003	P8023	VF12P	HC15Q	HE21Q	HE22Q	HE07C	UY128GAS 14~16
HF008-03/HHD	064	1/4"	M8003	E8003	D8003	P8023	VF12P	HC15Q	HE21Q	HE22R HE22Q	HE07C	TV*5 14~16
HF008-03/HTF	064	1/4"	M8003	E8003	D8003	P8003	VF12P	HC15Q	HE21Q	HE22R HE22Q	HE07C	TV*5 18~21
HF008-0464	254	1/4"-1"-1/4"	M8104	E8104	D8104	P8104	VF12F	HC15	HE21*2	HE22*2	HE07D	TV*5 18~21
HF008-0464 /HPR	254	1/4"-1"-1/4"	M8104	E8104	D8104	P8104	VF12F	HC15	HE21*2	HE22*2	HE07D	TV*5 18~21
HF008-0464 /HAC	254	1/4"-1"-1/4"	M8104	E8104	D8104	P8104	VF12F	HC15	HE21*2	HE22*2	HE07D	TV*5 18~21
HF008-02/FBQ	056	7/32"	M5356	E4001 E1836Q	D1836Q H1836Q	P4000-A P4002-A	VF12P	FBQ89	ME28	無	FBQ75	UY128GAS 90/14
HF008-02/FBQ	064	1/4"	M5364	E4001 E1837Q	D1836Q H1836Q	P4001-A P4002-A	VF12P	FBQ89	ME28	無	FBQ75	UY128GAS 90/14
HF008-02/FBQ /TC	056	7/32"	M5356	E4001 E1836Q	D1836Q H1836Q	P4000-A P4002-A	VF12P	FBQ89	ME28	無	FBQ75	UY128GAS 90/14
HF008-02/FBQ /TC	064	1/4"	M5364	E4001 E1837Q	D1836Q H1836Q	P4001-A P4002-A	VF12P	FBQ89	ME28	無	FBQ75	UY128GAS 90/14

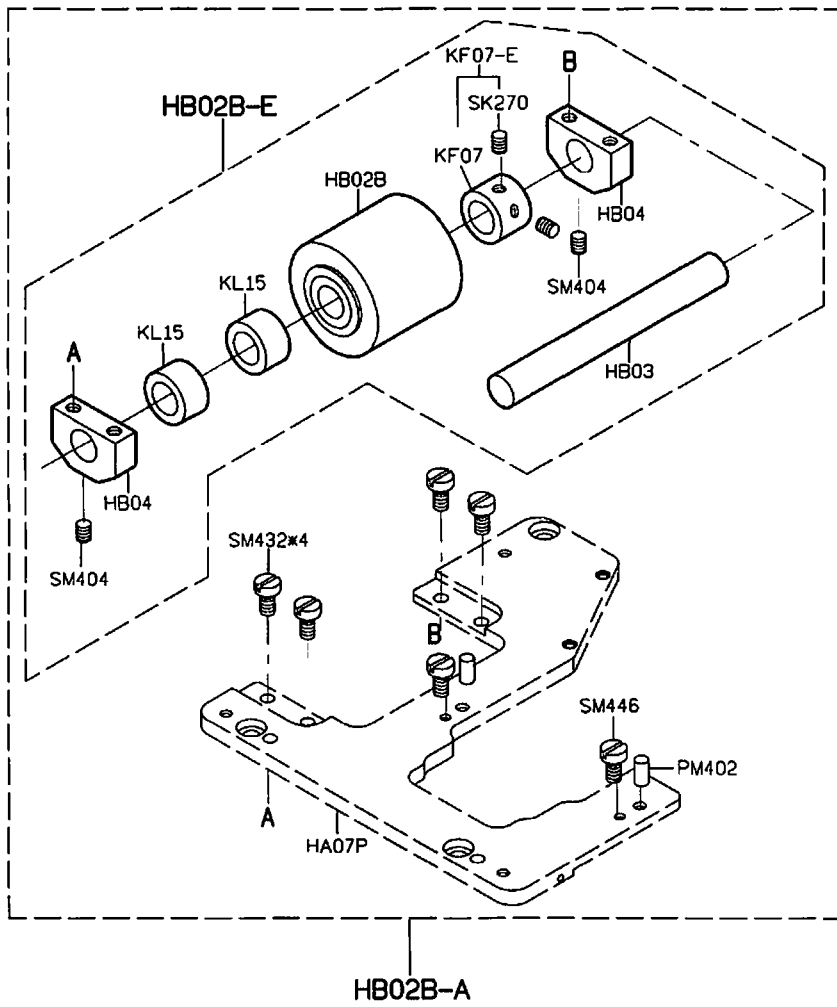
規格件表 CONVERSION CHART-1

PARTS LIST FOR HA GROUP

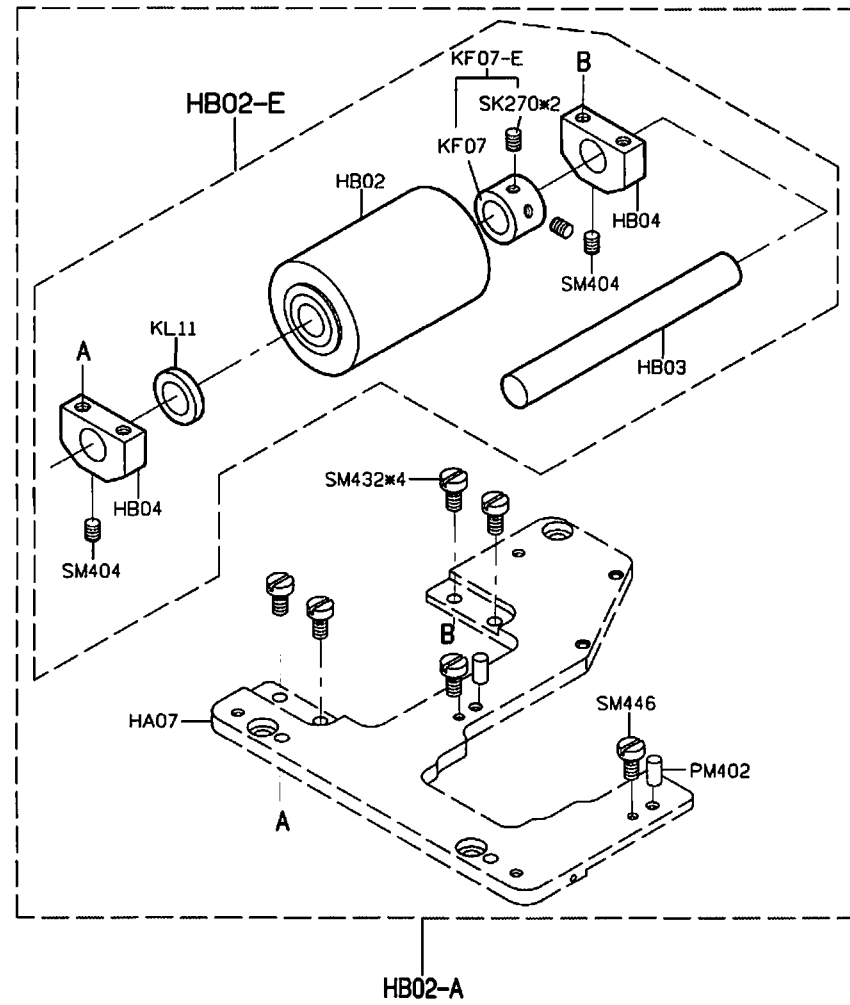


PARTS LIST FOR HA GROUP



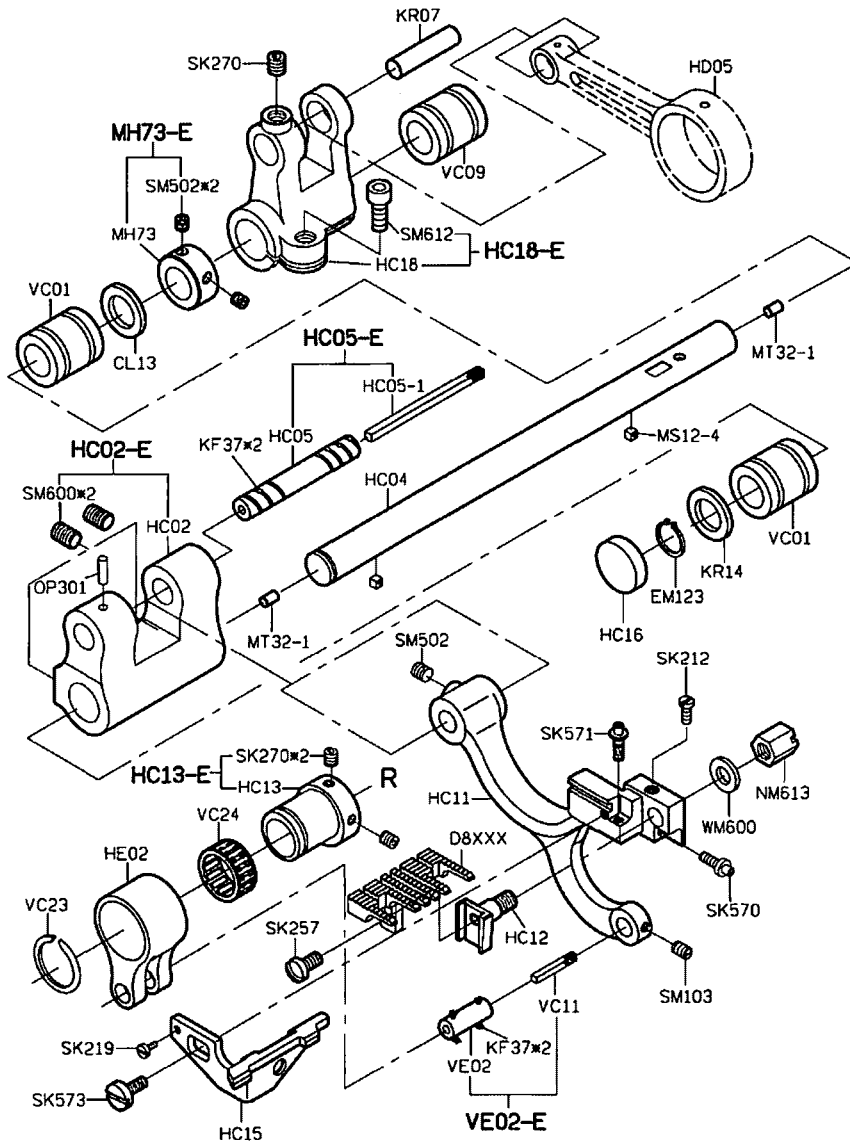


PARTS LIST FOR HB GROUP

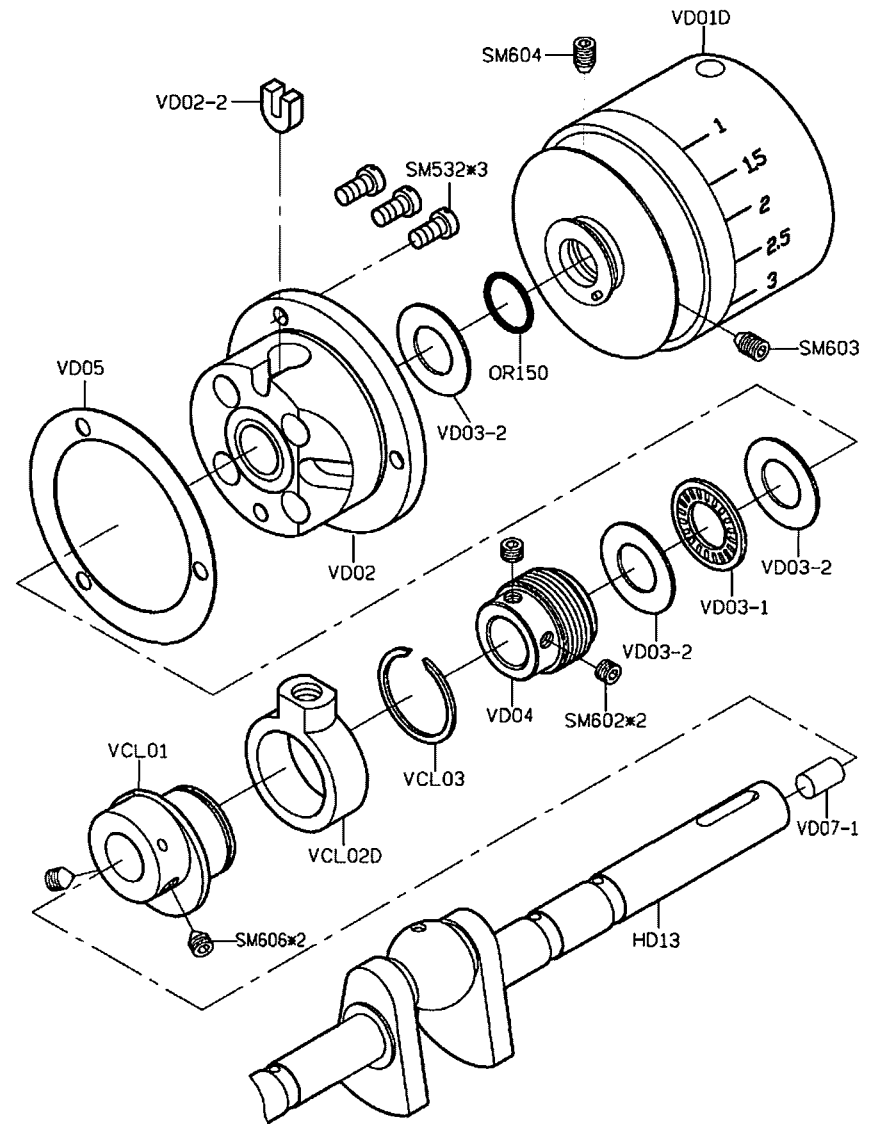


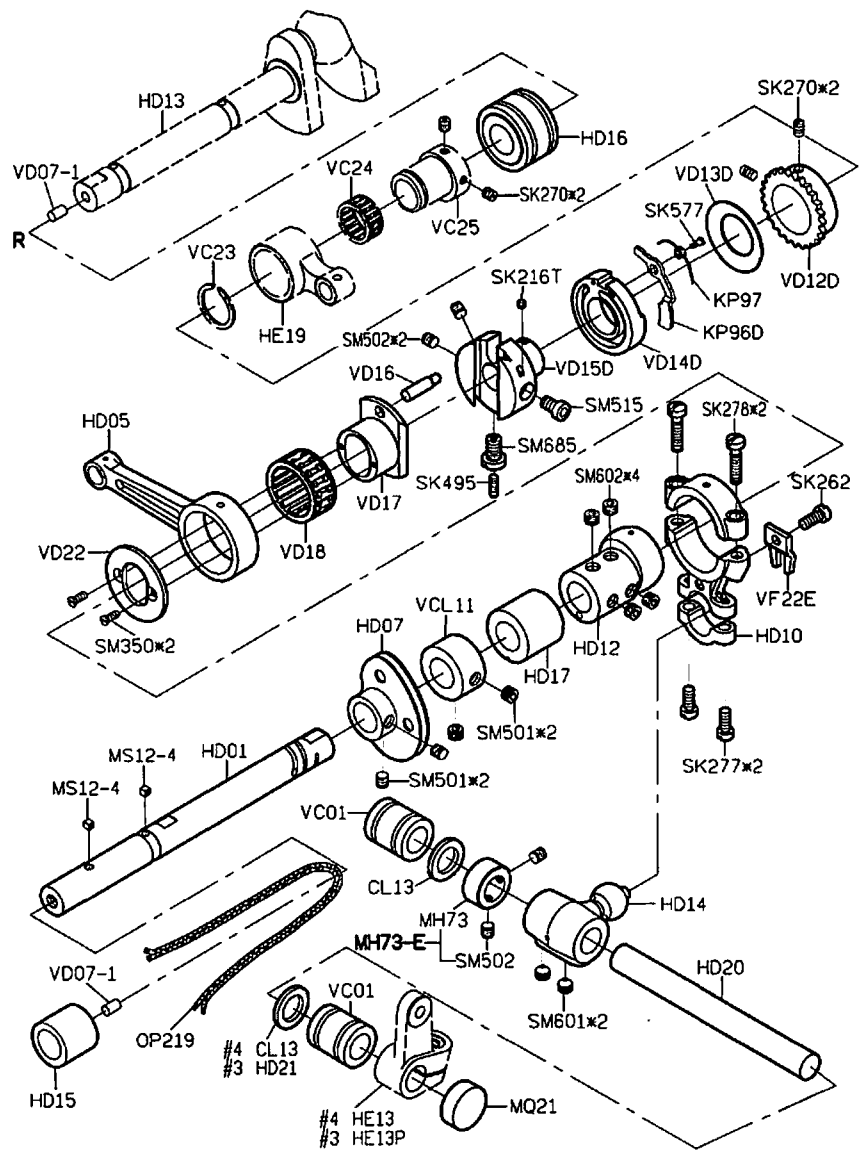
PARTS LIST FOR HB GROUP

PARTS LIST FOR HC GROUP

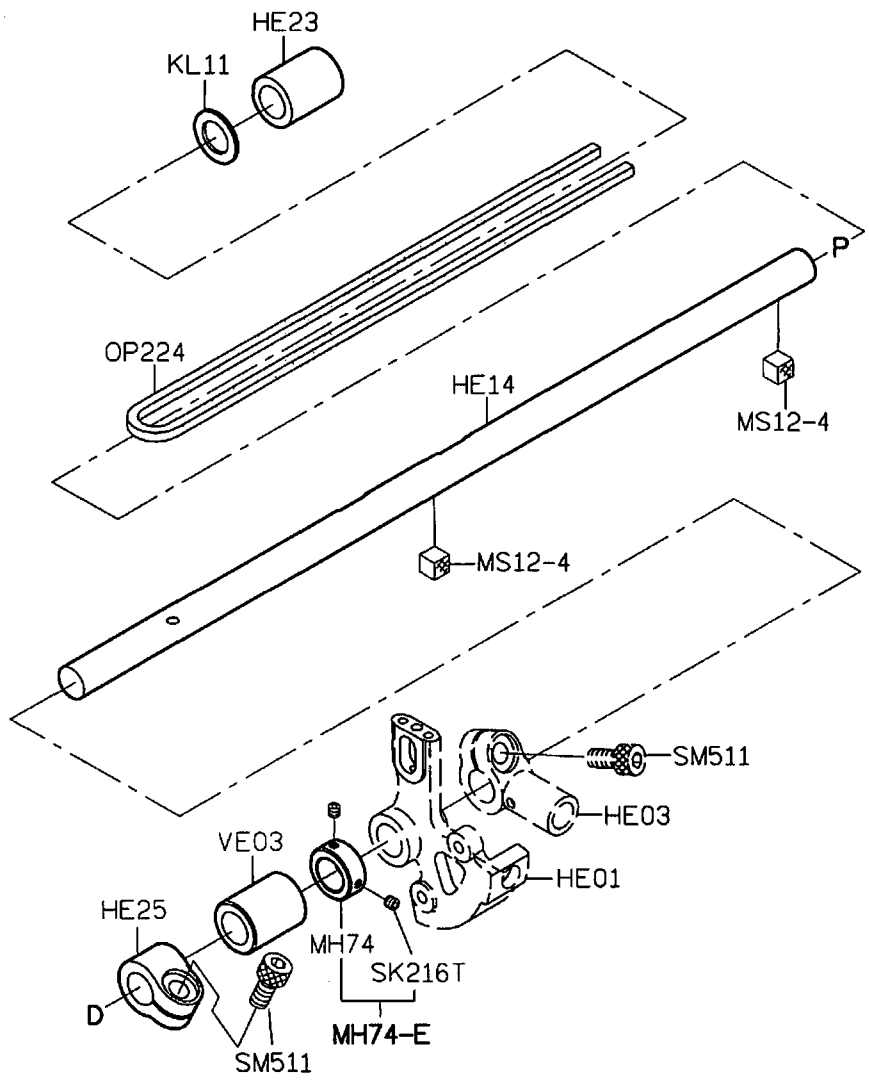


PARTS LIST FOR HD GROUP



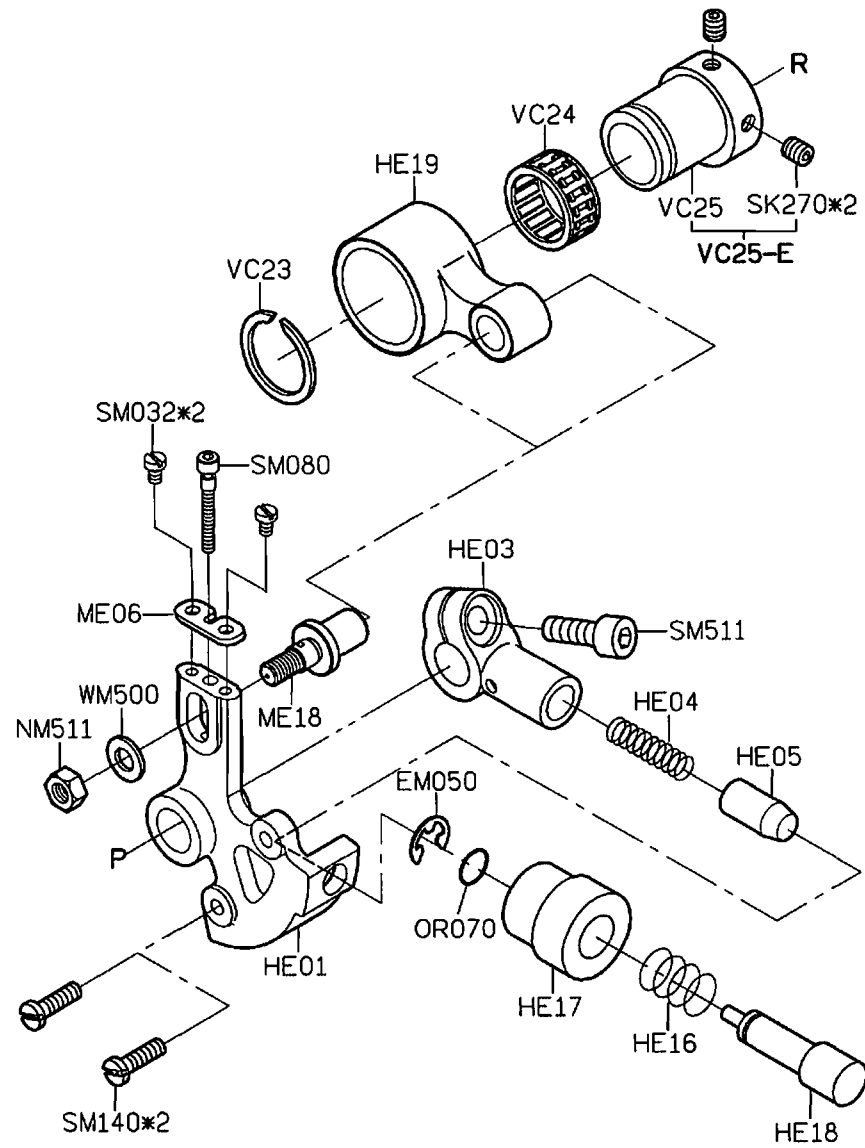


PARTS LIST FOR HD GROUP

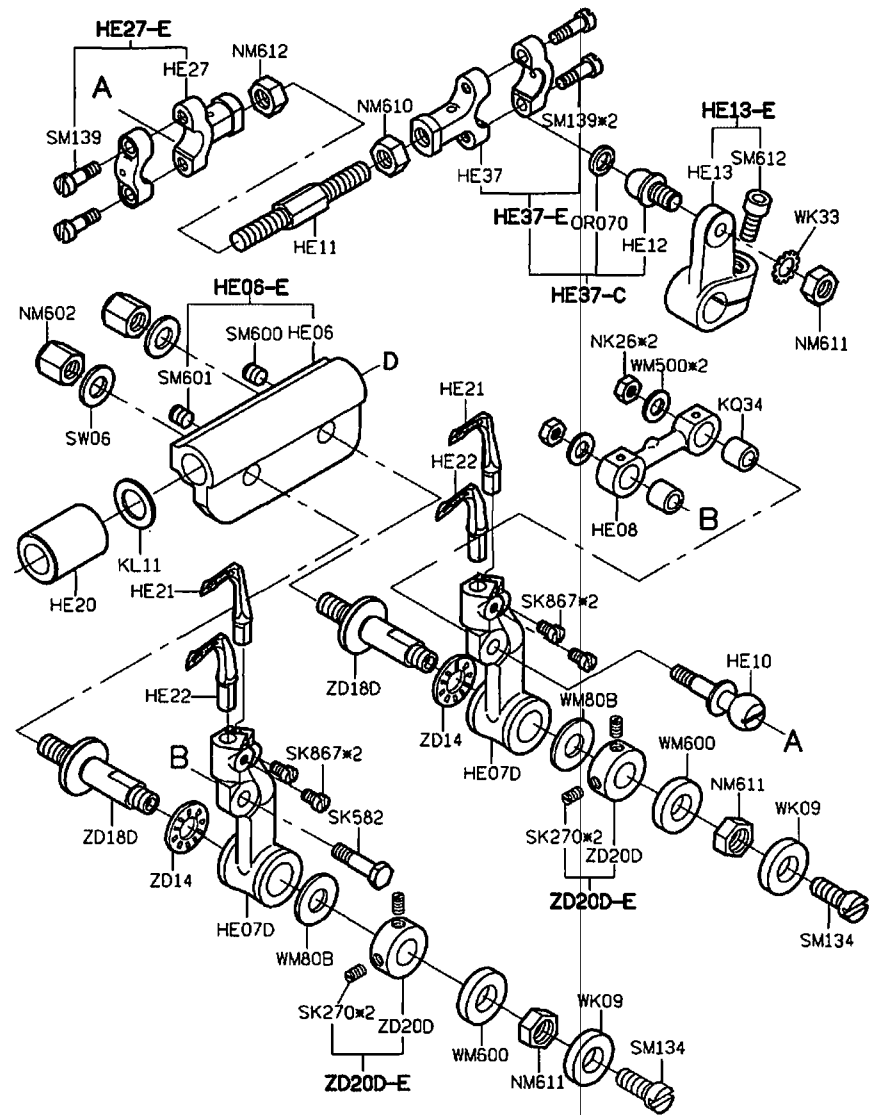


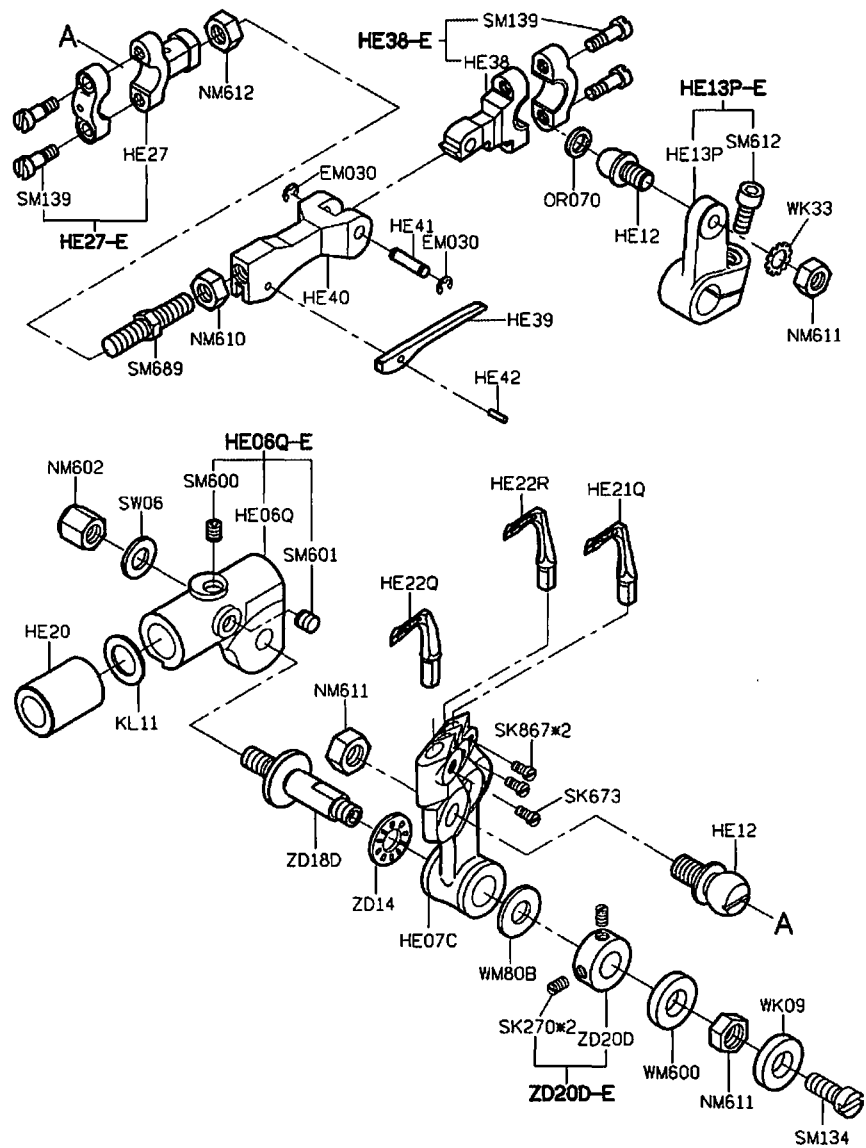
PARTS LIST FOR HE GROUP

PARTS LIST FOR HE GROUP

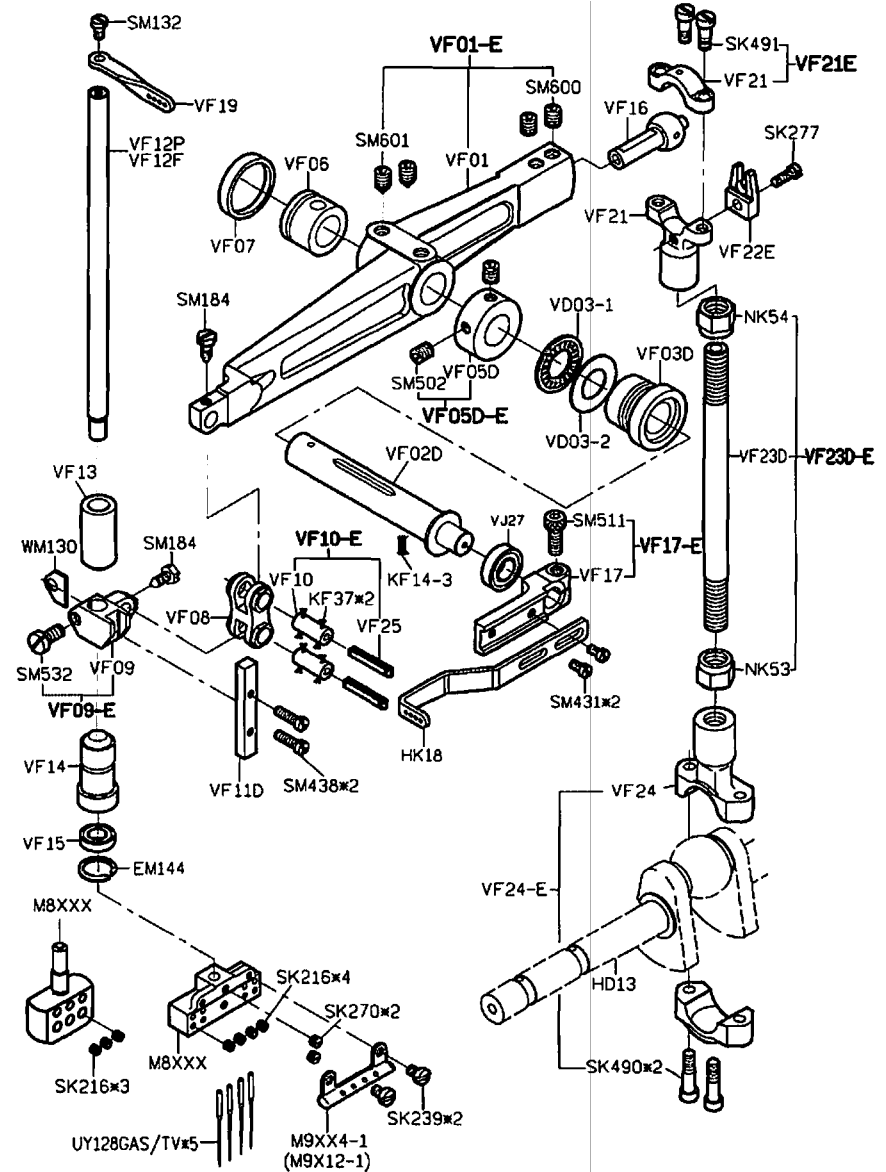


PARTS LIST FOR HE GROUP





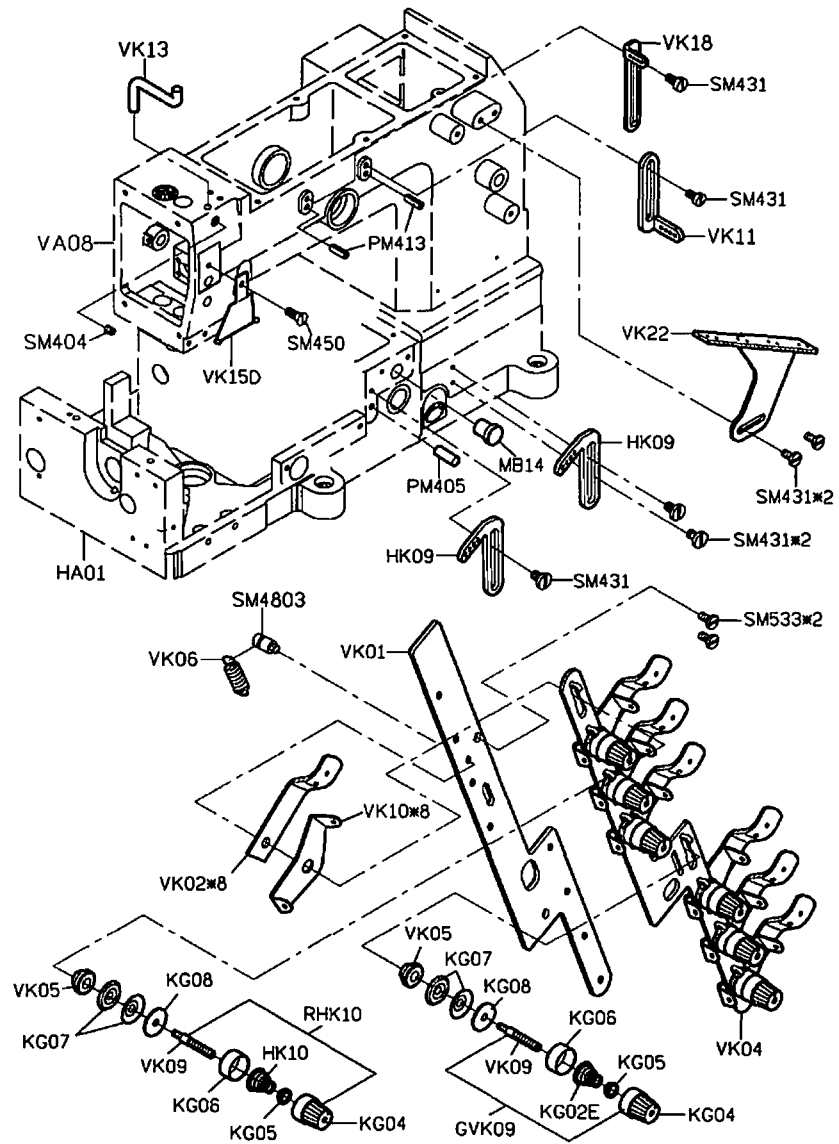
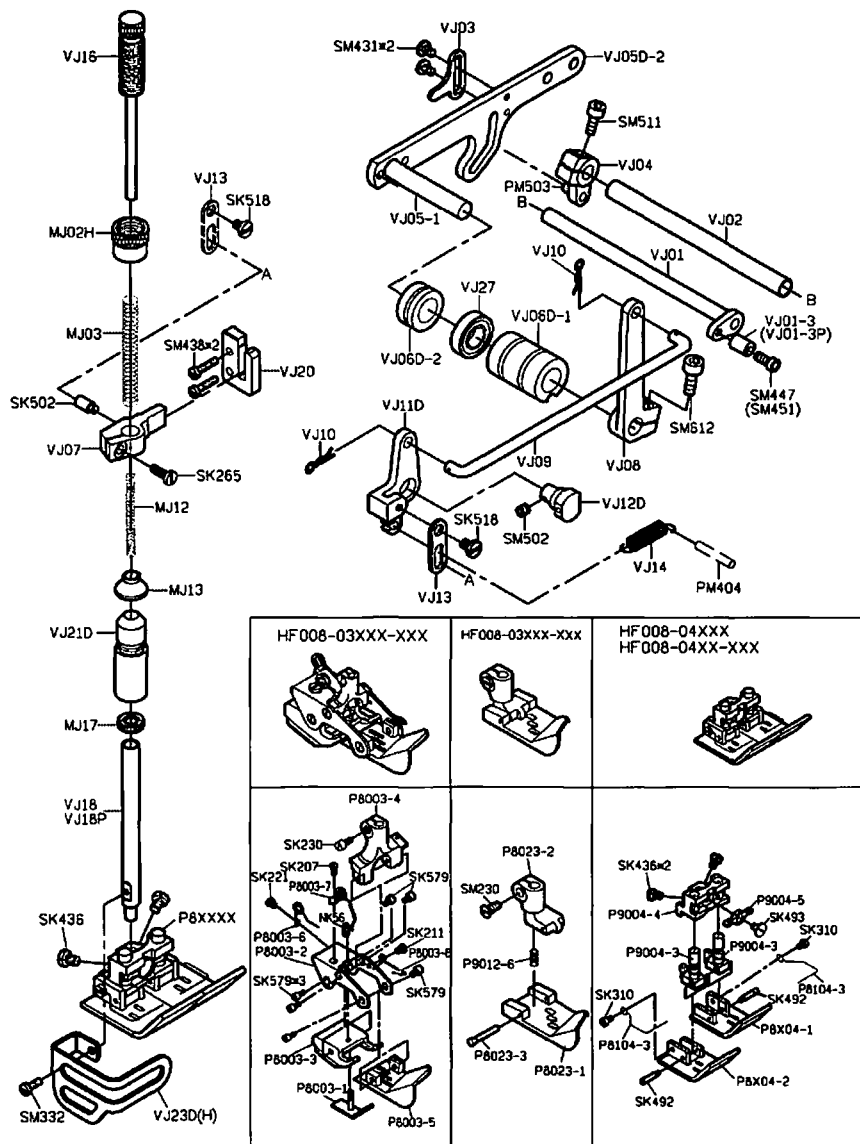
PARTS LIST FOR HE GROUP

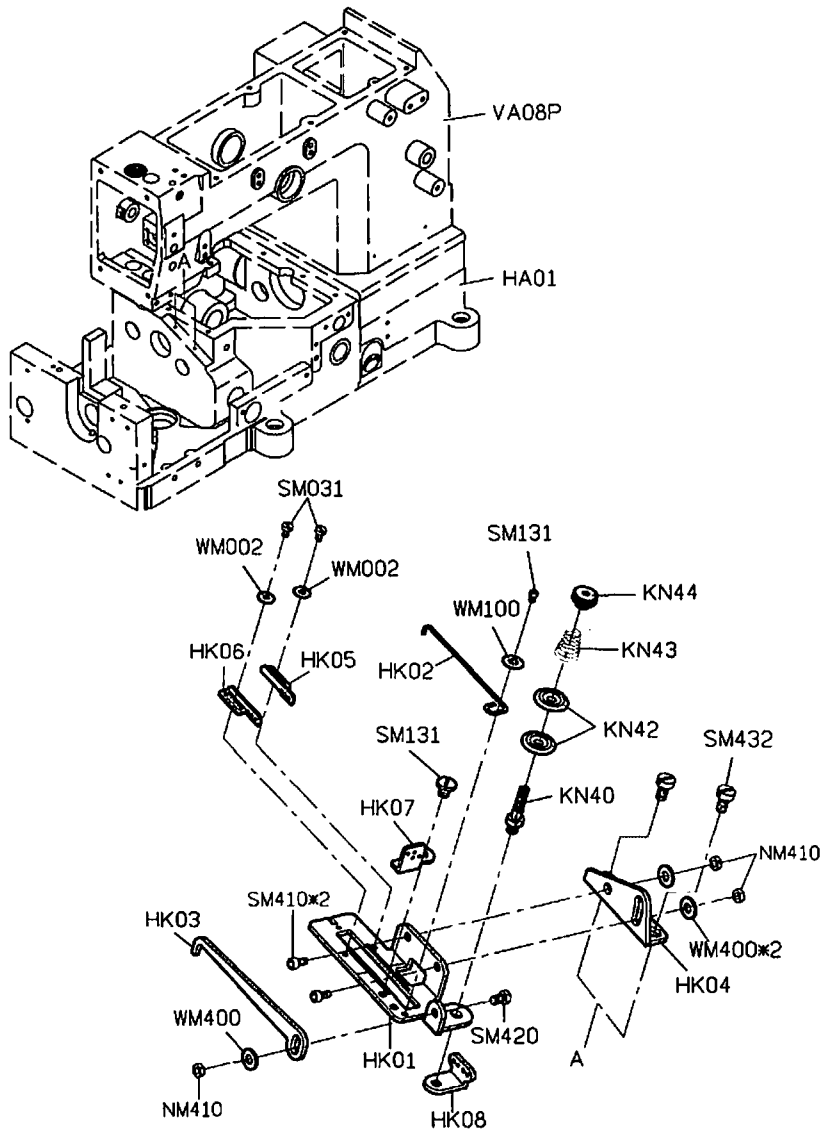


PARTS LIST FOR HF GROUP

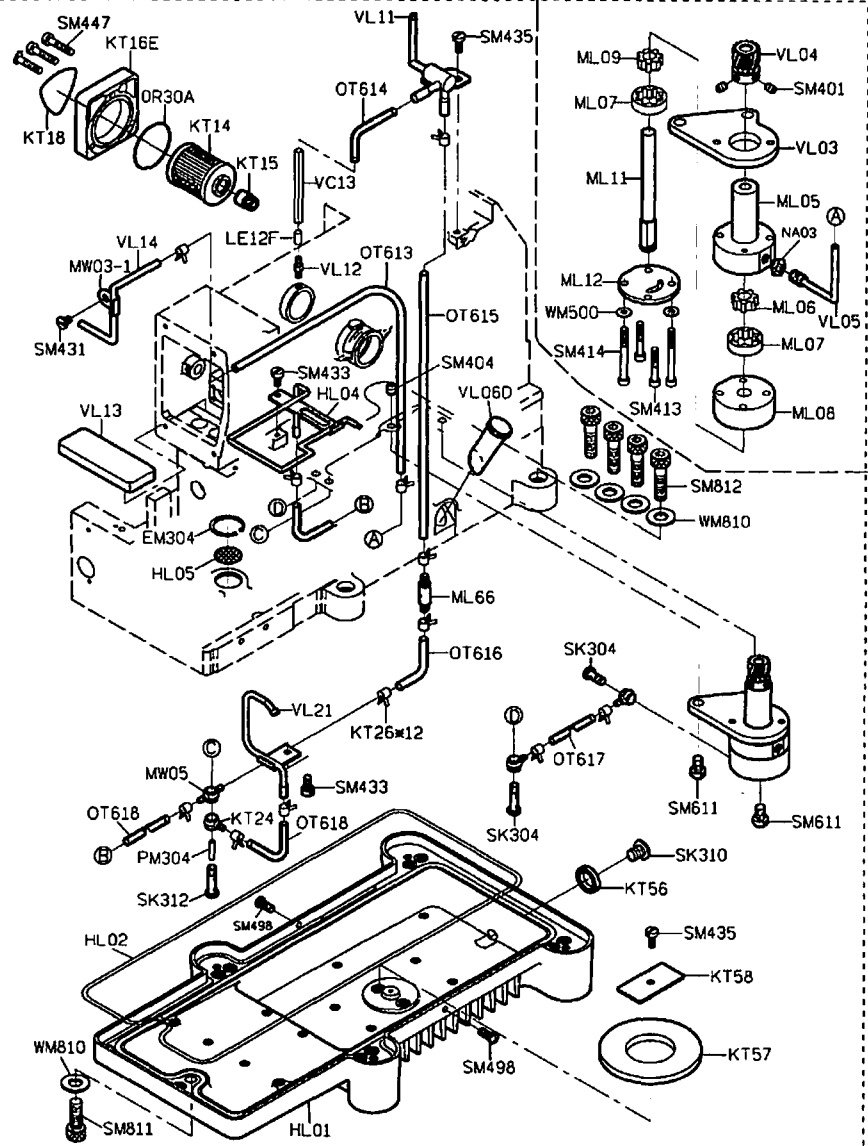
PARTS LIST FOR HJ GROUP

PARTS LIST FOR HK GROUP





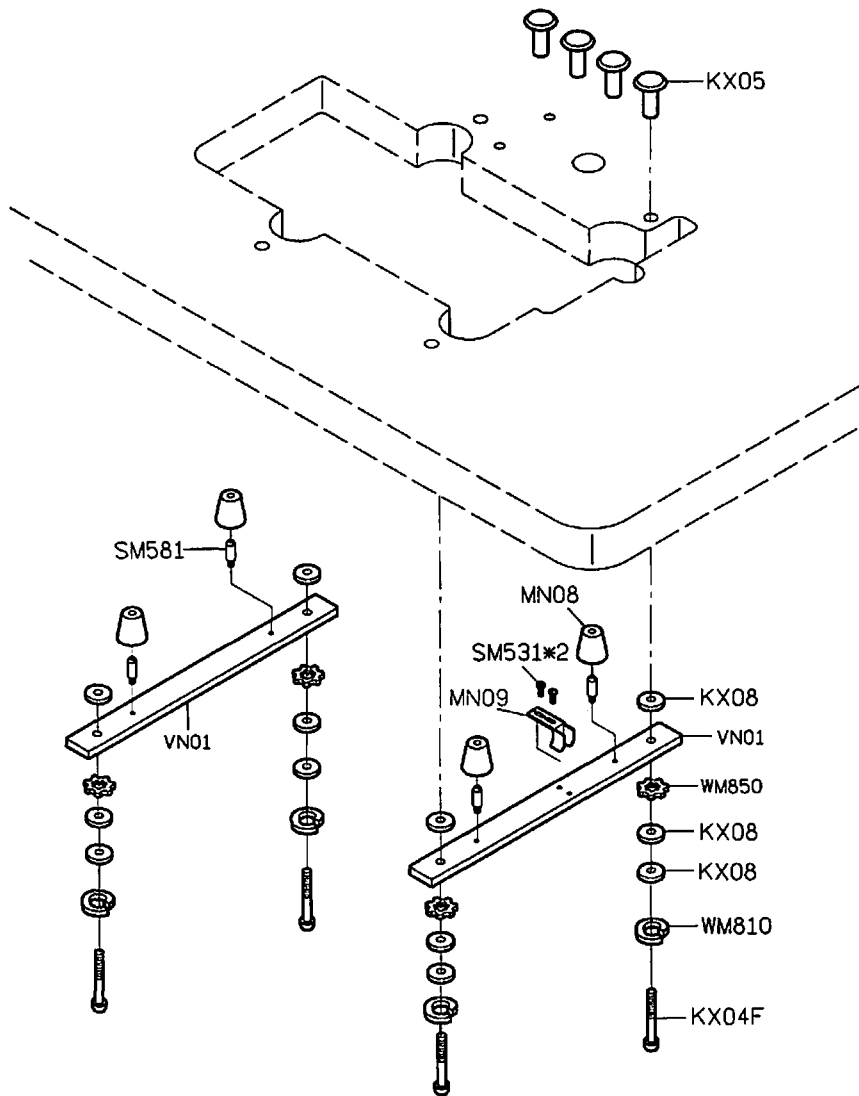
PARTS LIST FOR HK GROUP


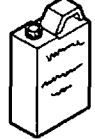





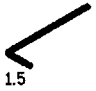



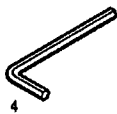
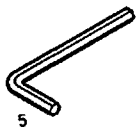




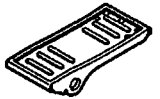










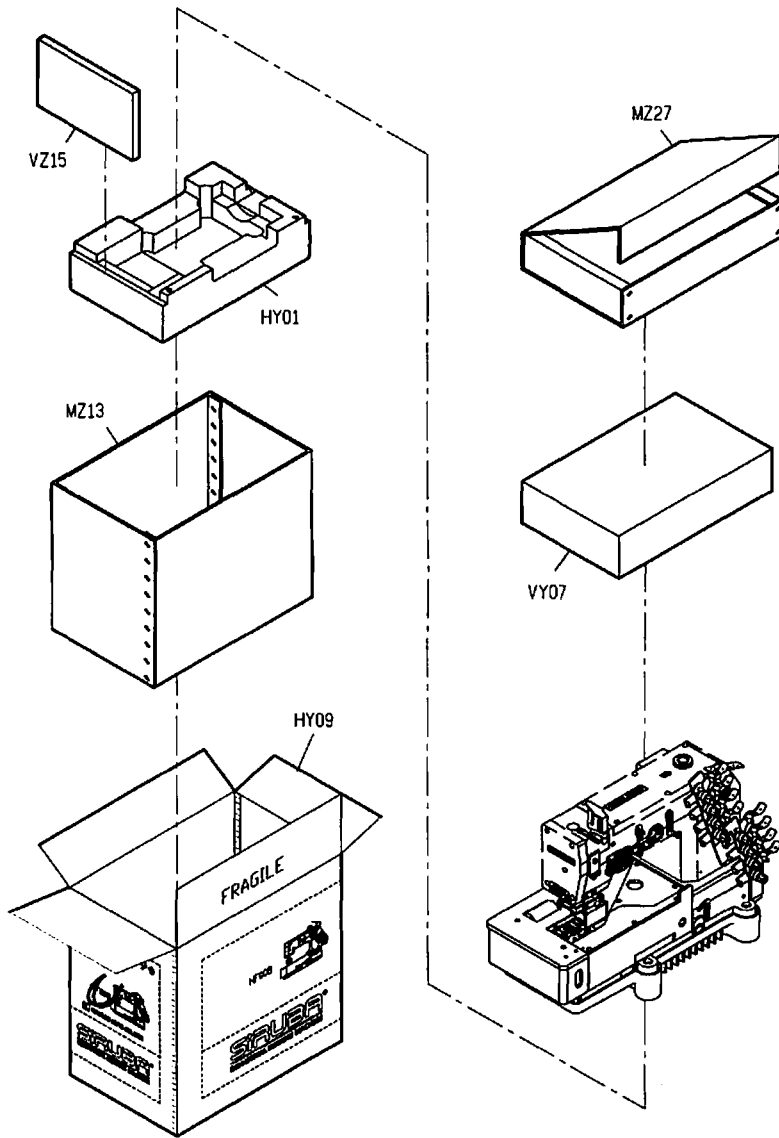
PARTS LIST FOR HL GROUP

PARTS LIST FOR HN GROUP

PARTS LIST FOR HY GROUP



<p>MY01 防塵罩</p> 	<p>KY02-A 油罐</p> 	<p>KY03 油壺</p> 	<p>KY04 漏斗</p> 	<p>KY07 開口扳手</p> 
<p>KY08 開口扳手</p> 	<p>KY09 開口扳手</p> 	<p>MY09 六角扳手</p>  <p>1.5</p>	<p>MY08 六角扳手</p>  <p>2</p>	<p>MY10 六角扳手</p>  <p>2.5</p>
<p>MY11 六角扳手</p>  <p>3</p>	<p>MY12 六角扳手</p>  <p>4</p>	<p>KY11 六角扳手</p>  <p>5</p>	<p>KY14 內六角螺絲起子</p> 	<p>KY17 一字起子</p> 
<p>KY16 六角起子</p> 	<p>KY18 鑷子</p> 	<p>KY20D 腳踏板</p> 	<p>KT14 濾油器</p> 	<p>KY26F 工具袋</p> 
<p>針*5</p> 	<p>KY21-1 鉤子</p>  <p>MY21 鍊條</p> 	<p>KZ03 乾燥劑</p> 	<p>HY04 零件圖</p> 	<p>HY02 使用說明書</p> 



PARTS LIST FOR HY GROUP



HF008

高林股份有限公司 KAULIN MFG. CO.,LTD.

The specification and/or appearances of the equipment described in this parts list are subject to change because of modification without previous notice.

HY04 DEC. 2005

From the library of: Superior Sewing Machine & Supply LLC