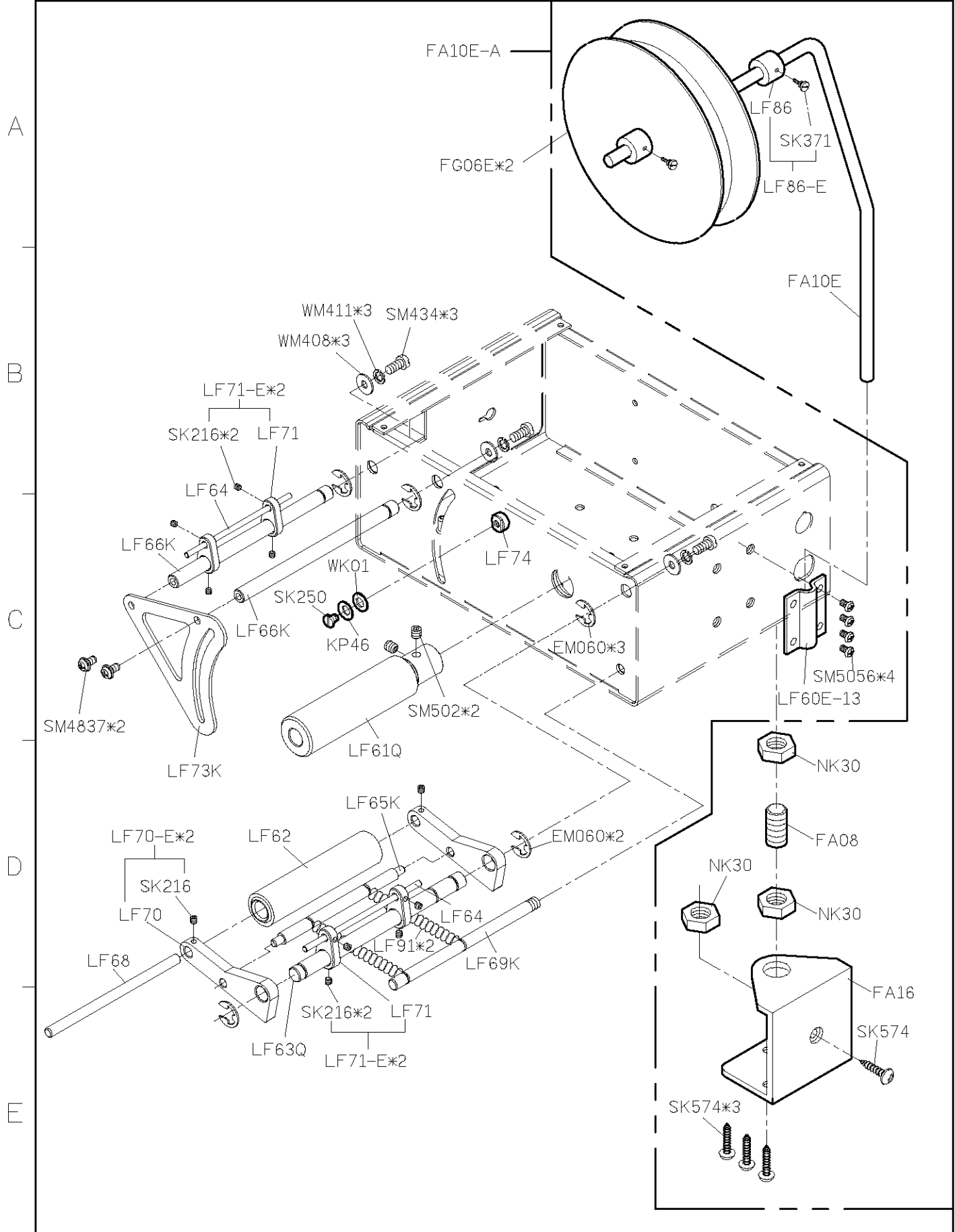
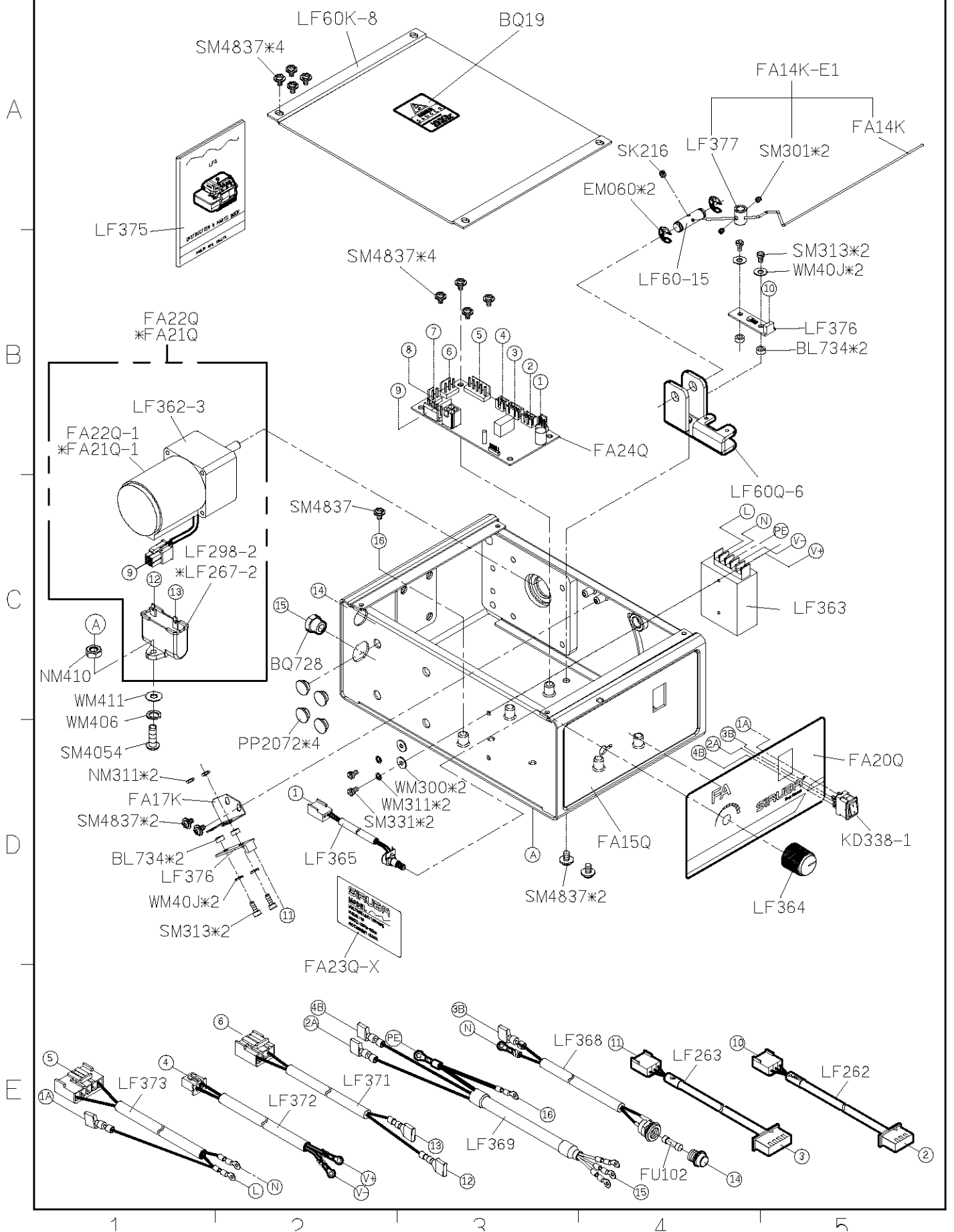


SIRUBA PARTS LIST	Series	Parts Group	Subclass / Remark	Page
	F007K/F007KD	FA		1/3
	F858K/F858KD			Date
				2013/03/25





SIRUBA PARTS LIST	Series	Parts Group	Subclass / Remark	Page
	F007K/F007KD	FA	*: Use for 110V	3/3
	F858K/F858KD			Date
				2013/03/25

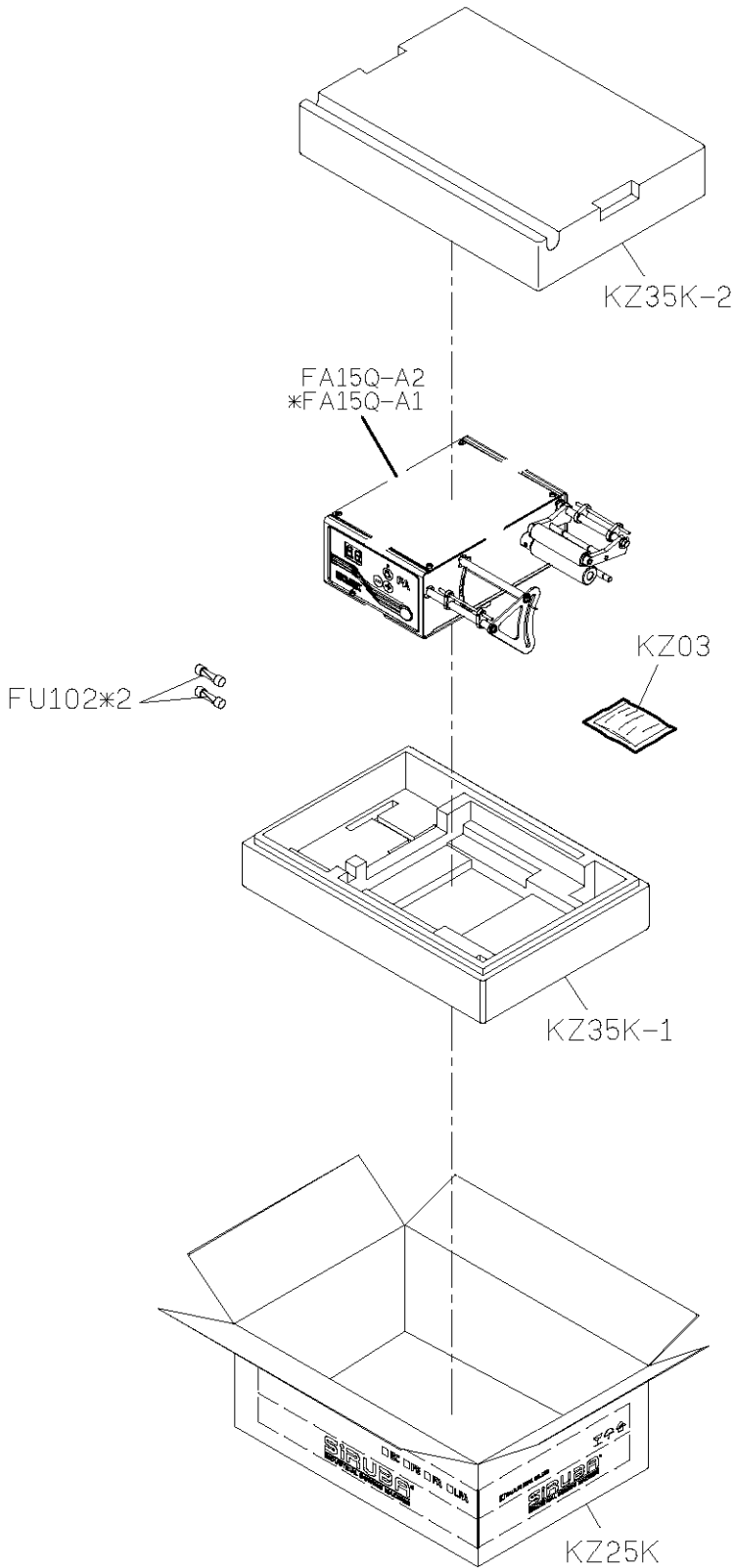
A

B

C

D

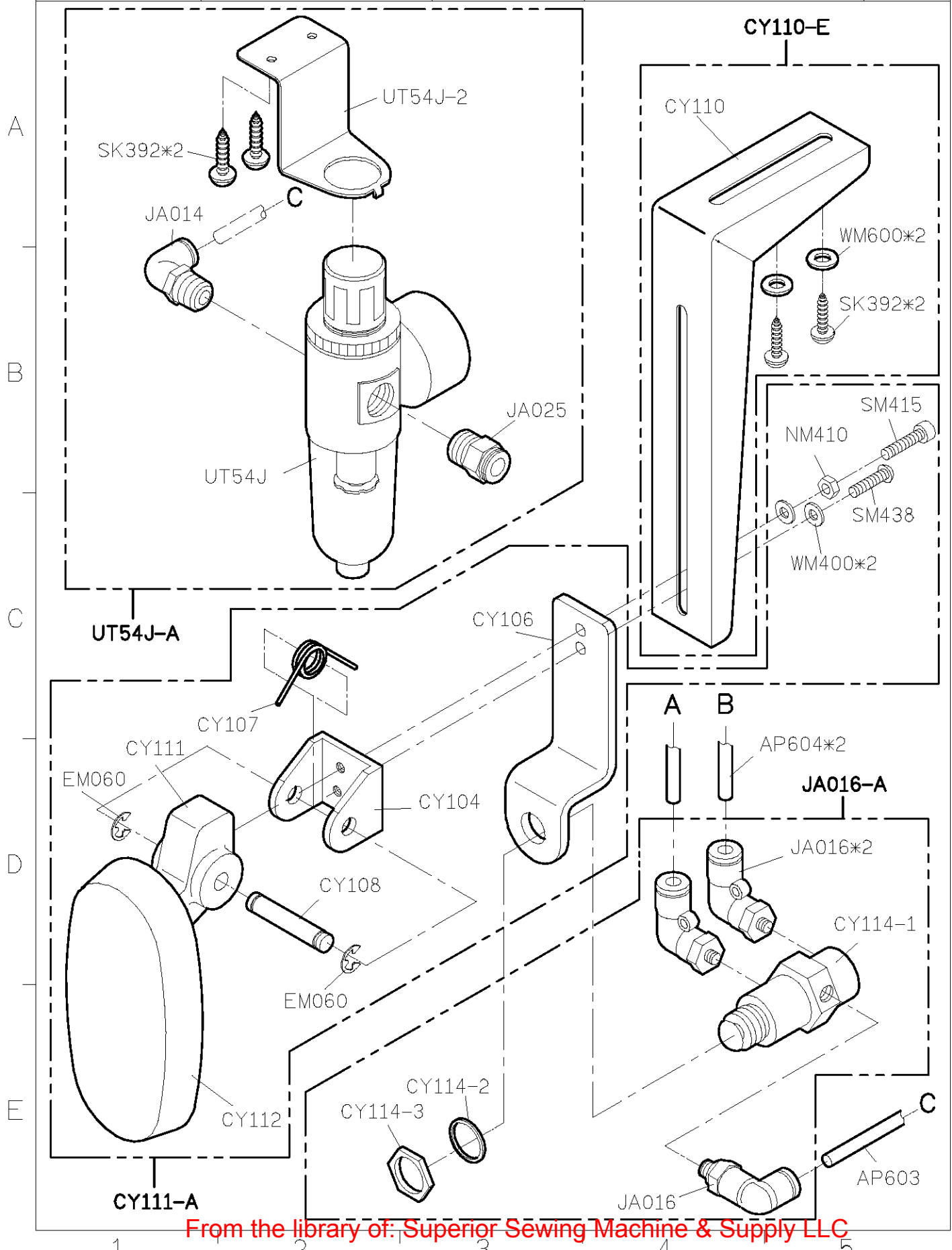
E



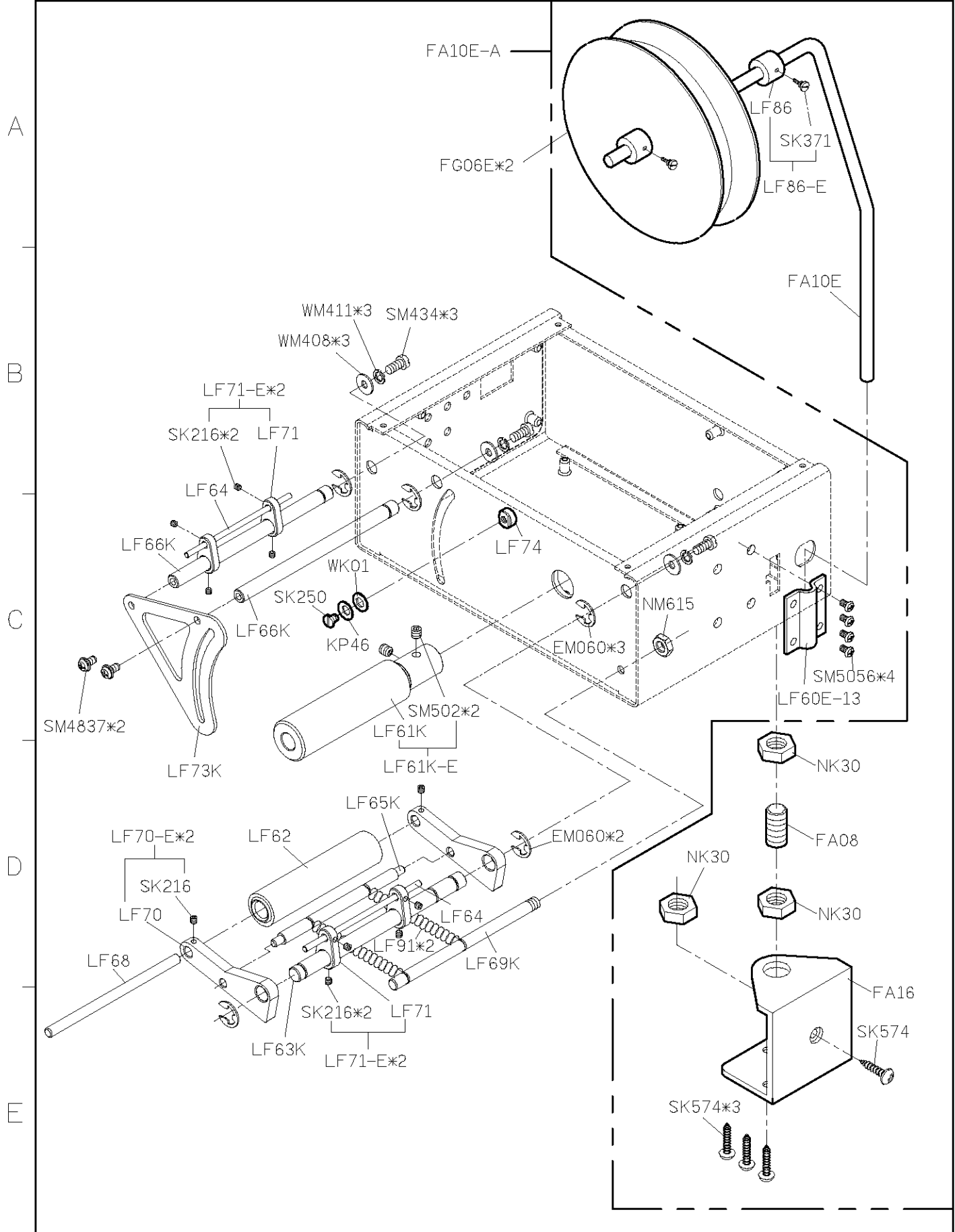
\* FOR 110V



<b>SIRUBA</b> PARTS LIST	Series	Parts Group	Subclass / Remark	Page
	<b>F007K/F007KD</b>	<b>FAC-K</b>		2/2
	<b>F858K/F858KD</b>		Date	
			2012/10/31	



SIRUBA PARTS LIST	Series	Parts Group	Subclass / Remark	Page
	F007K/F007KD	FAK		1/3
	F858K/F858KD			Date
				2013/03/25





SIRUBA PARTS LIST	Series	Parts Group	Subclass / Remark	Page
	F007K/F007KD	FAK		3/3
	F858K/F858KD			Date
				2013/03/25

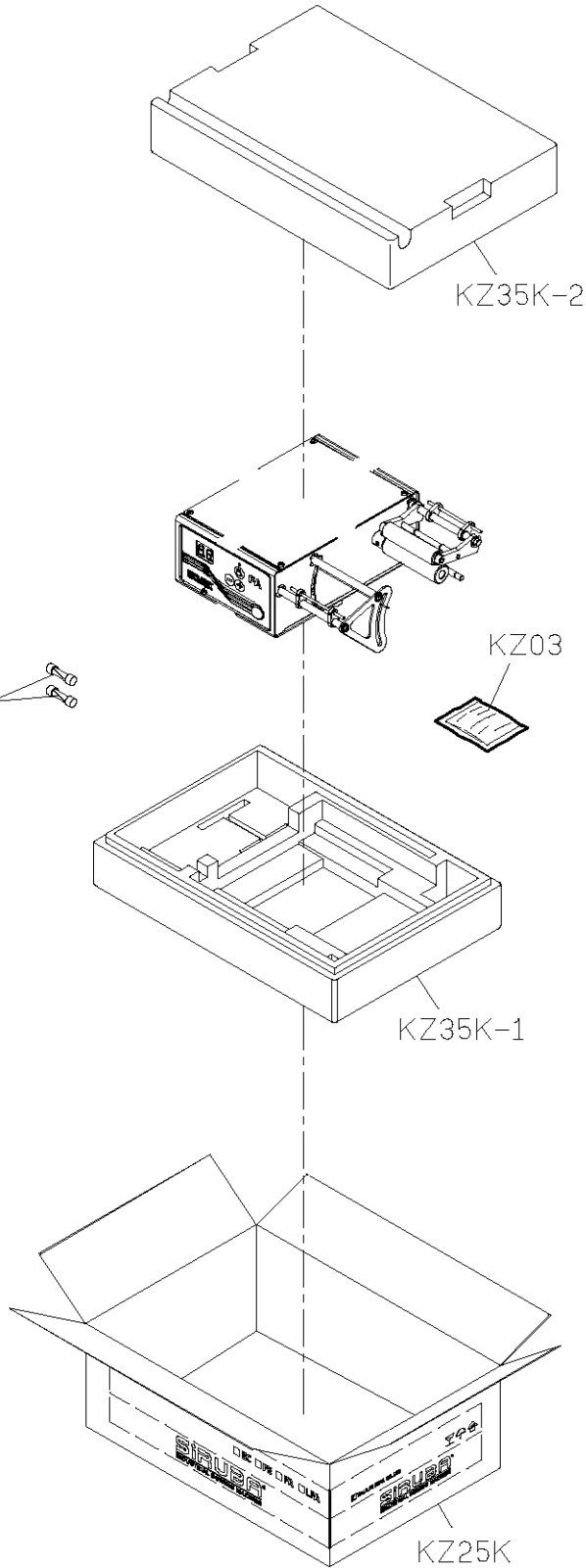
A

B

C

D

E



1

2

3

4

5



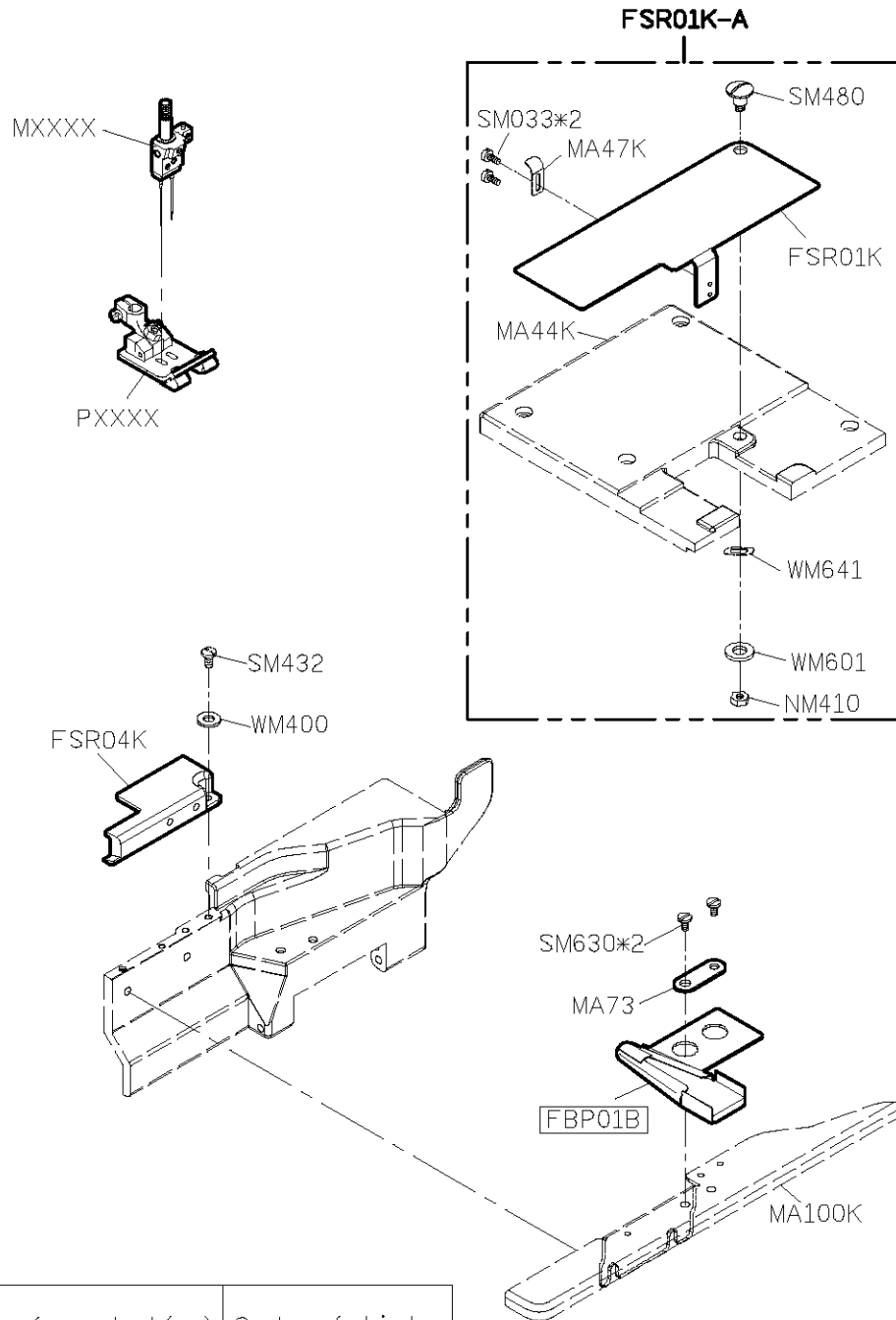
A

B

C

D

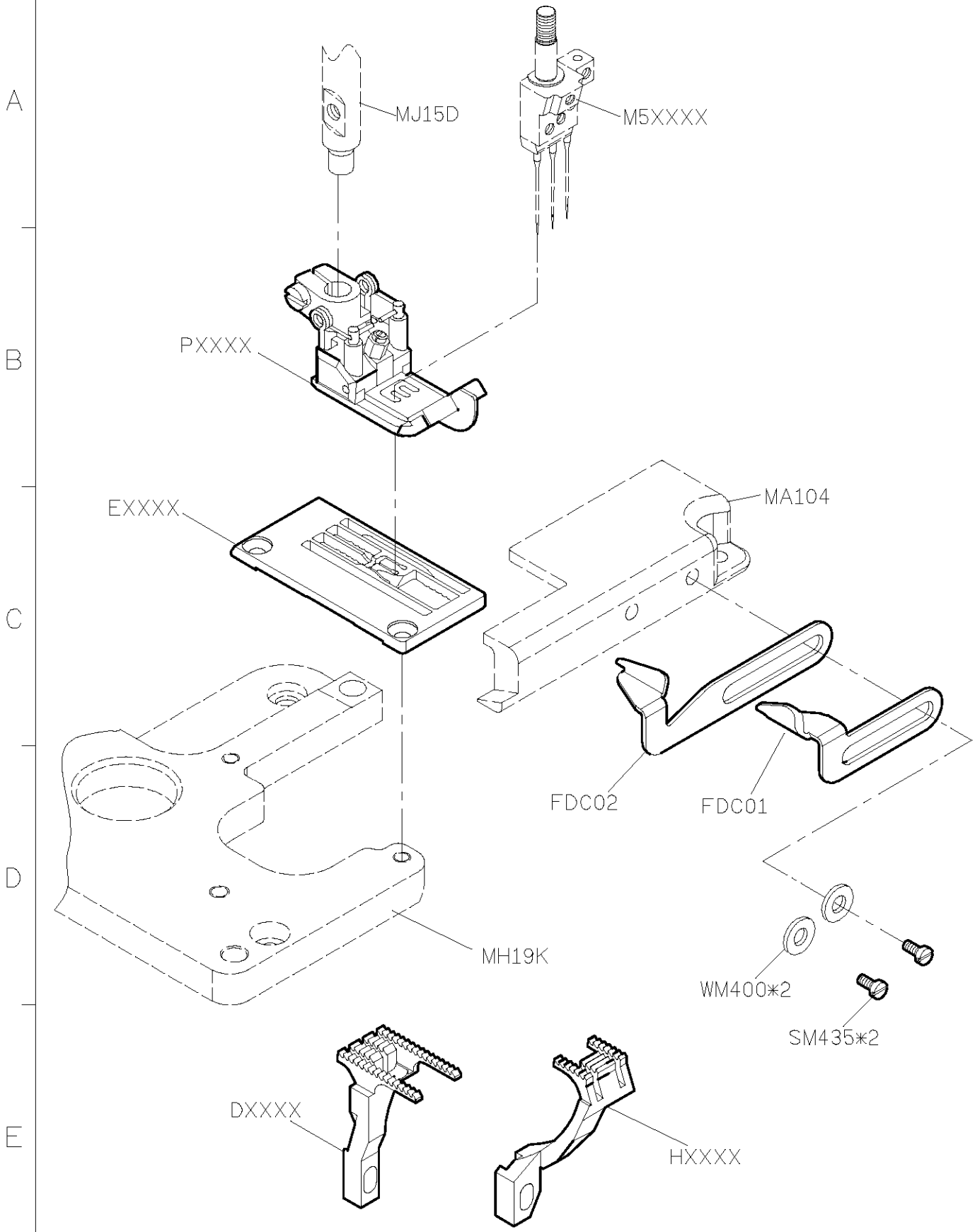
E



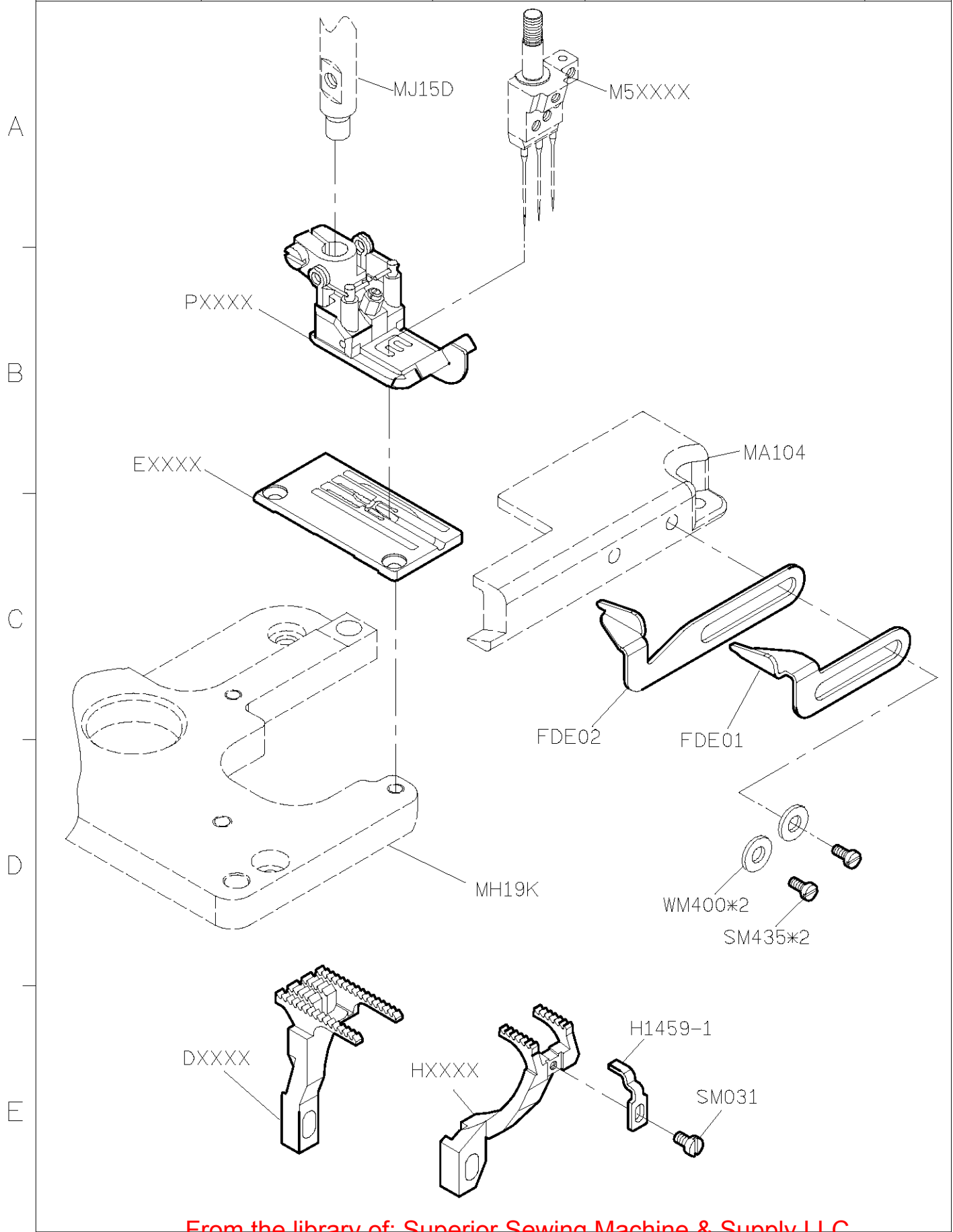
Stitch length	Size of product(mm)	Code of binder
5.6	9	FBP01A
5.6	10	FBP01B
6.4	12	FBP01C

1 2 3 4 5

<b>SIRUBA</b> PARTS LIST	Series	Parts Group	Subclass / Remark	Page
	F007K/F007KD F858K/F858KD	<b>FDC-K</b>		1/1
				Date
				2012/10/31



<b>SIRUBA</b> PARTS LIST	Series	Parts Group	Subclass / Remark	Page
	F007K/F007KD F858K/F858KD	<b>FDE-K</b>		1/1
				Date
				2012/10/31



**SIRUBA**

PARTS LIST

**F007K/F007KD  
F858K/F858KD**

**FEC-K**

Parts Group

Subclass / Remark

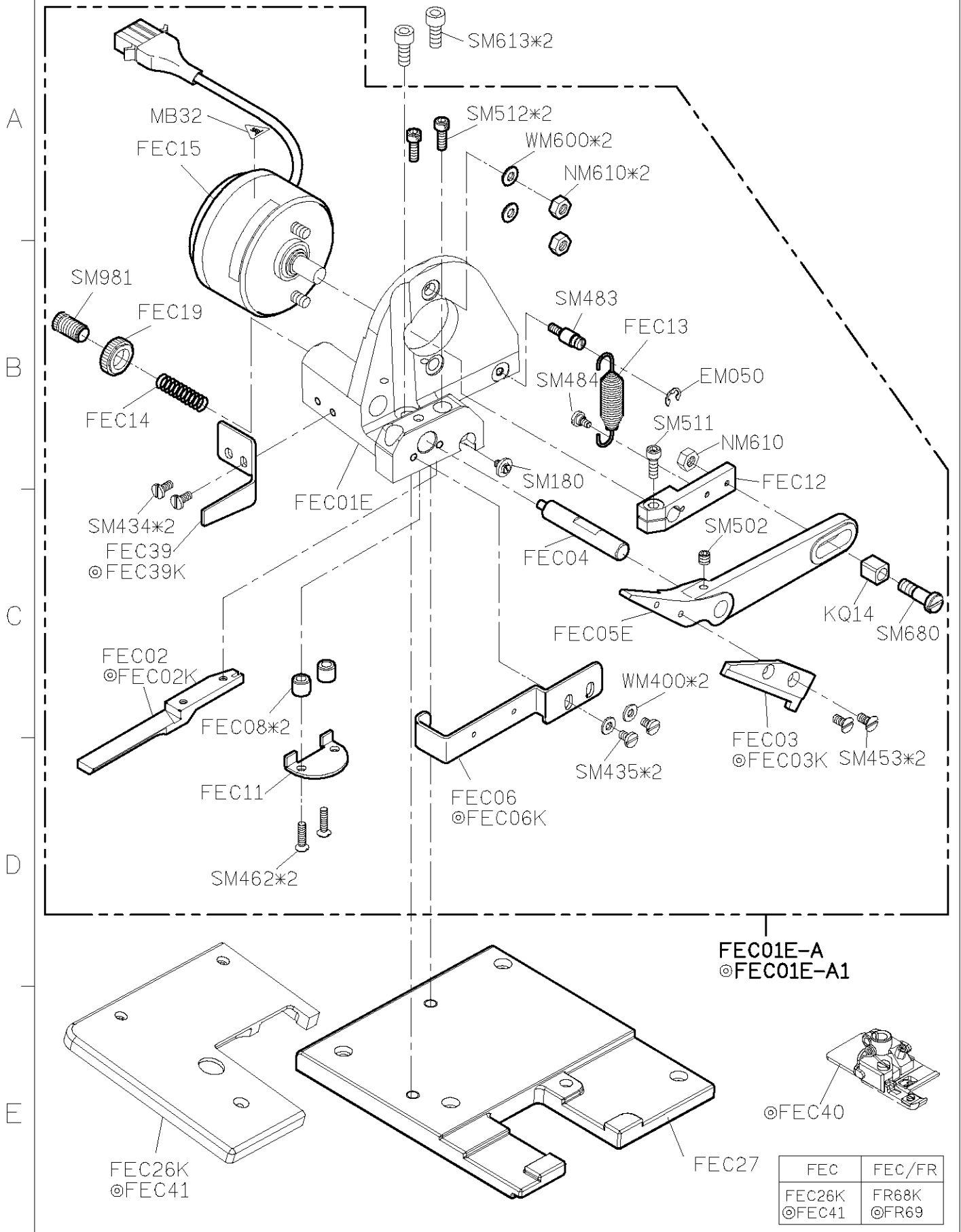
Page

◎ :Use for SHORT KNIFE短刀

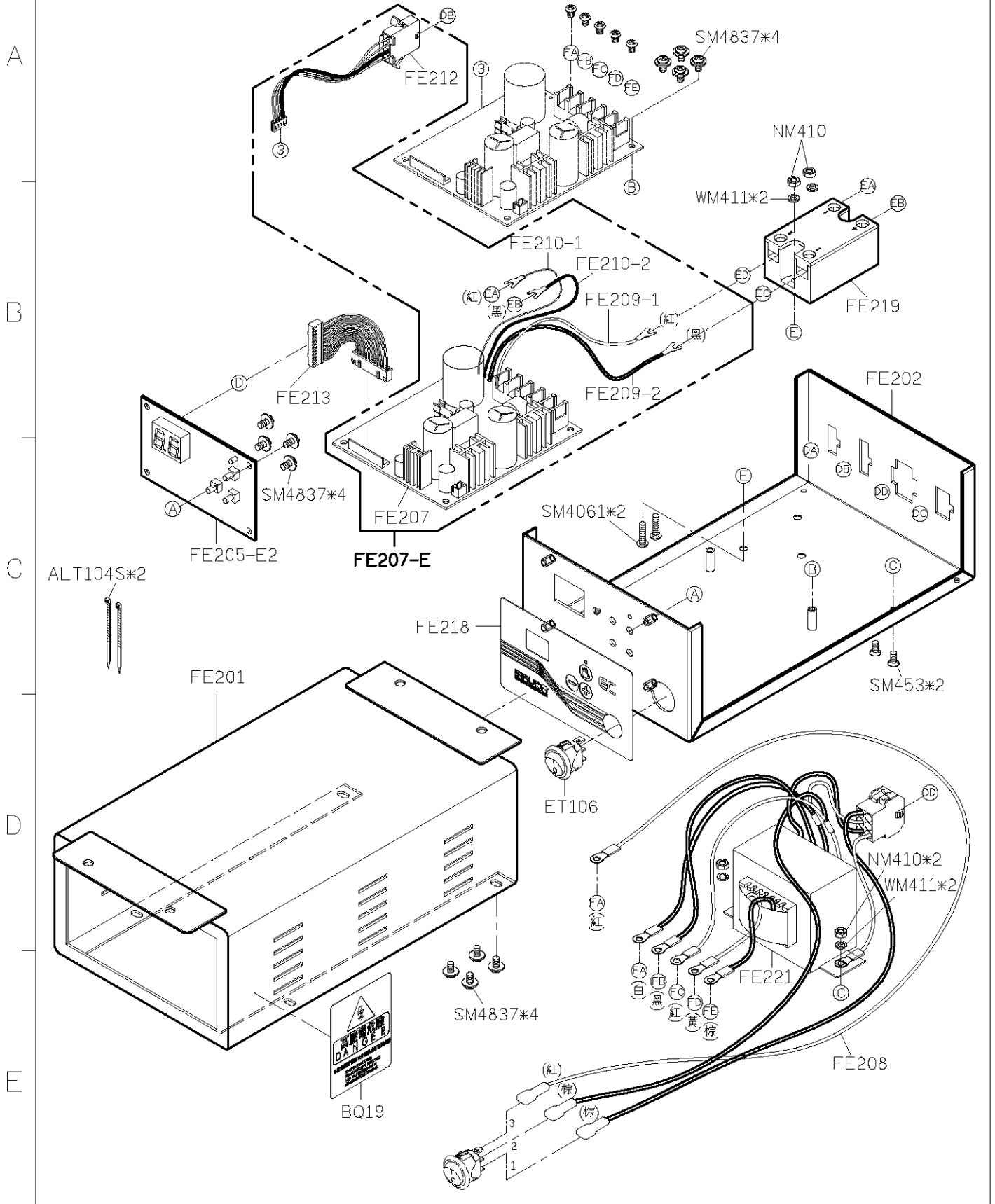
1/4

Date

2014/08/28



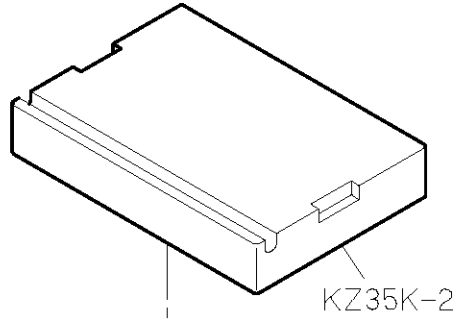
FE202-A



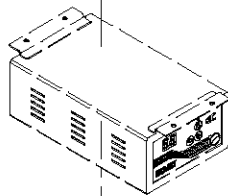


<b>SIRUBA</b> PARTS LIST		Parts Group	Subclass / Remark	Page
	F007K/F007KD	<b>FEC-K</b>		4/4
	F858K/F858KD		Date	
			2012/10/31	

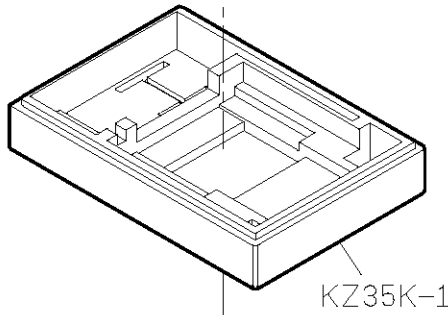
A



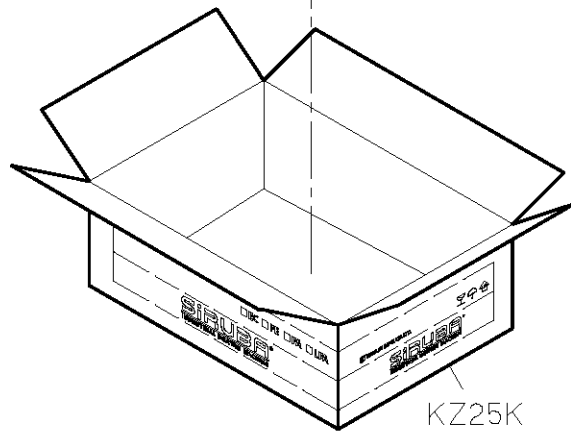
B



C



D



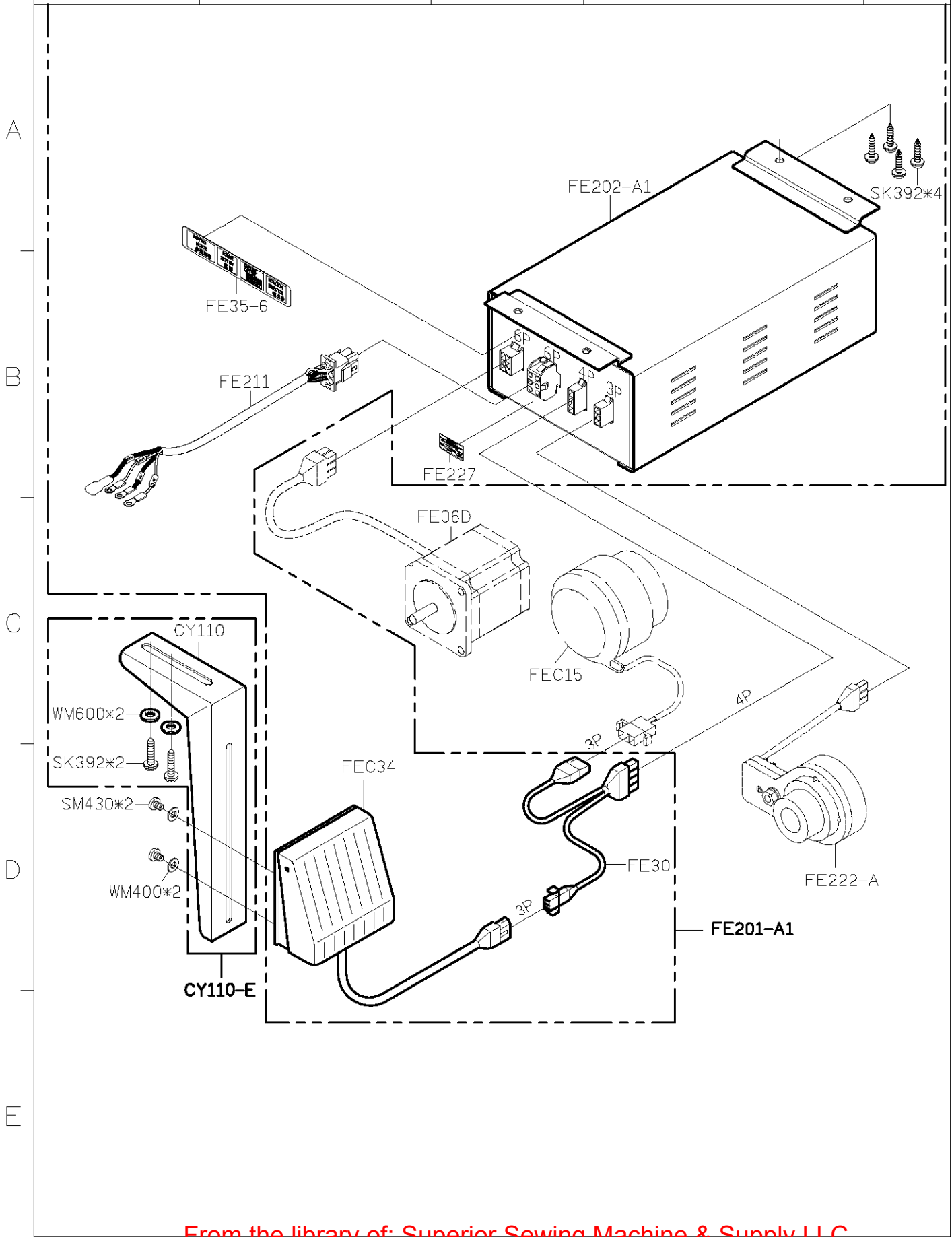
E

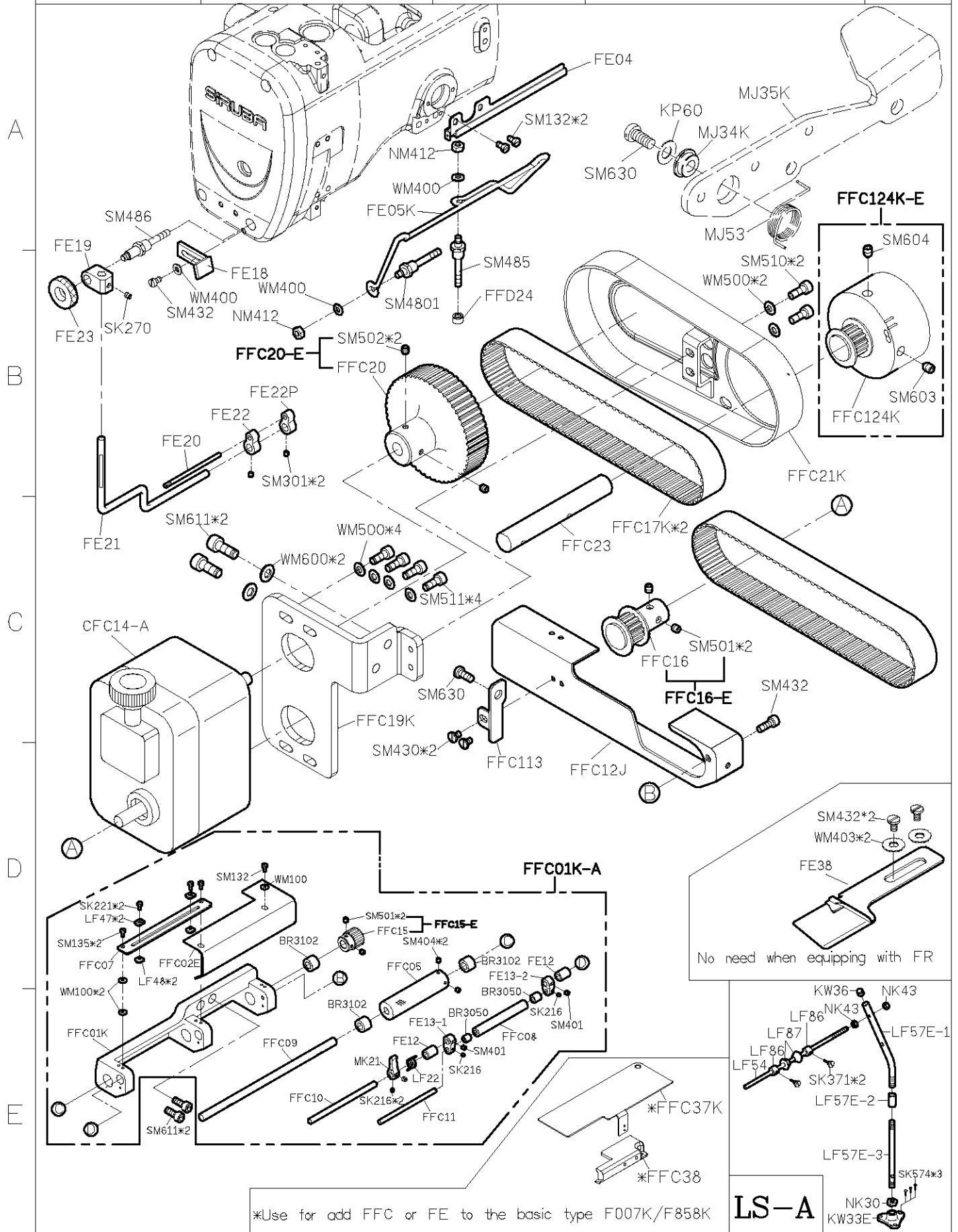






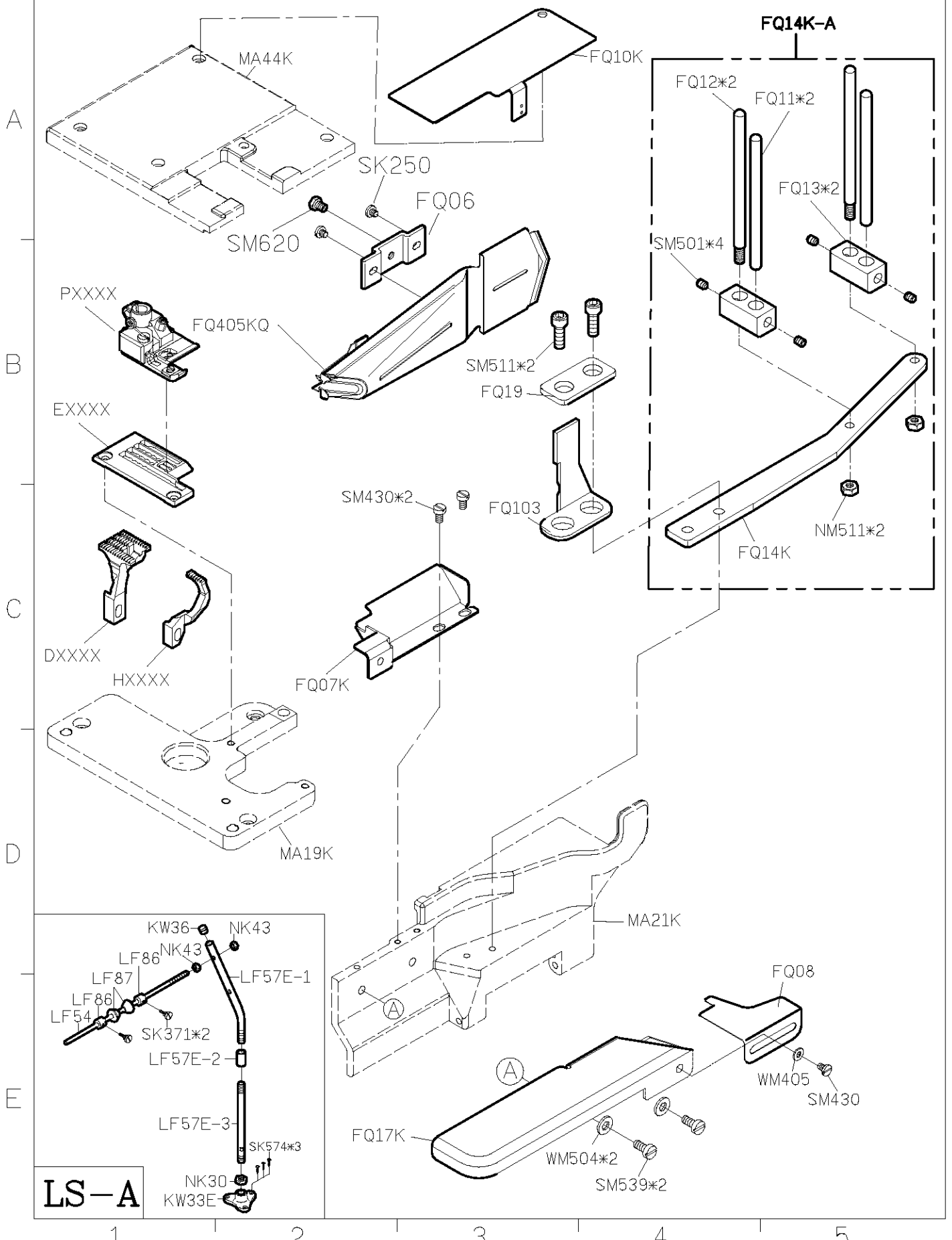
<b>SIRUBA</b> PARTS LIST	<b>F007K/F007KD</b> <b>F858K/F858KD</b>	Parts Group <b>FE-K</b>	Subclass / Remark <b>For F007K/F858K</b>	Page <b>3/3</b>
				Date
				<b>2012/10/31</b>



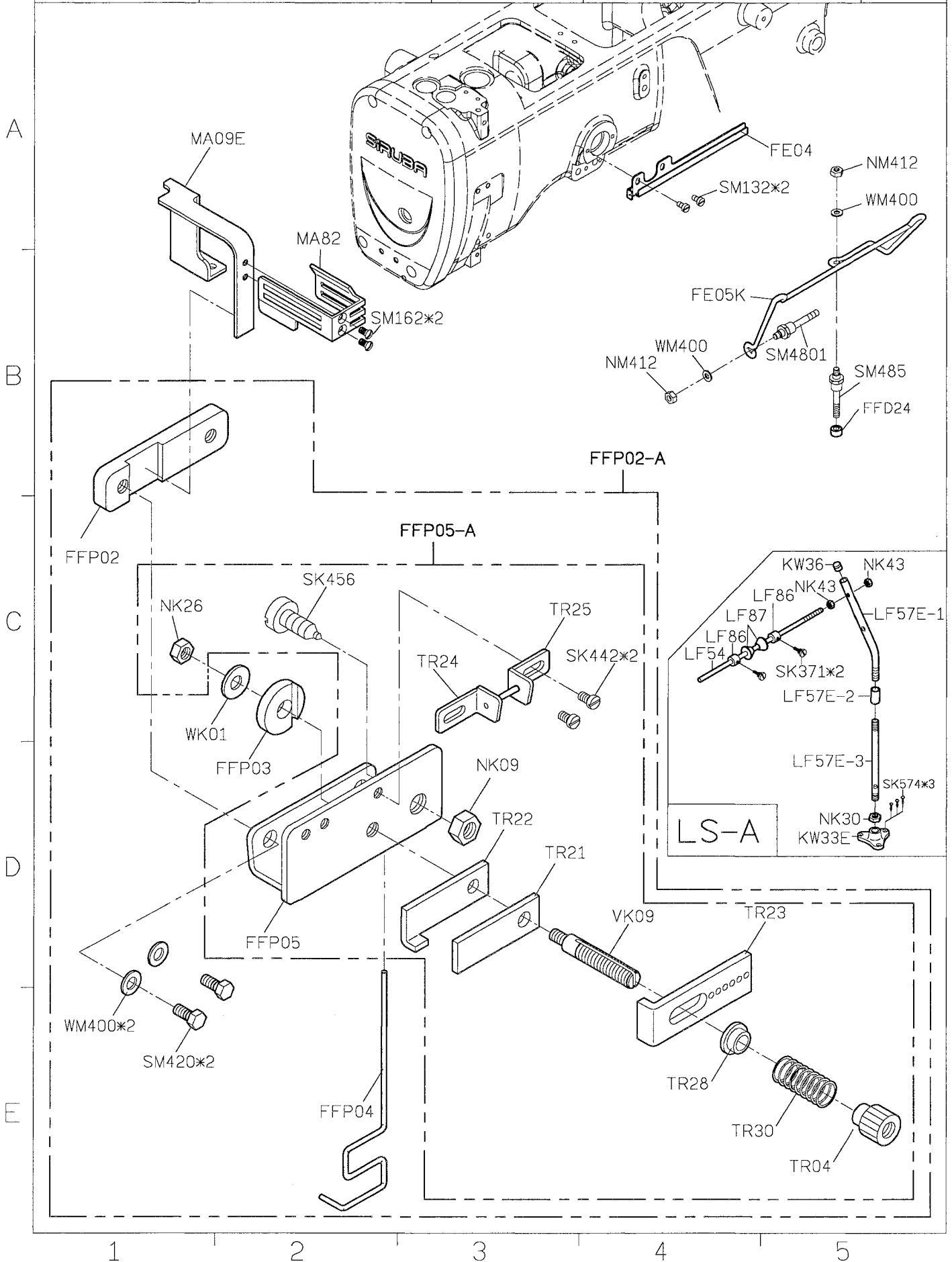












**SIRUBA**

**PARTS LIST**

**F007K/F007KD  
F858K/F858KD**

**Parts Group  
FFP-K**

Subclass / Remark

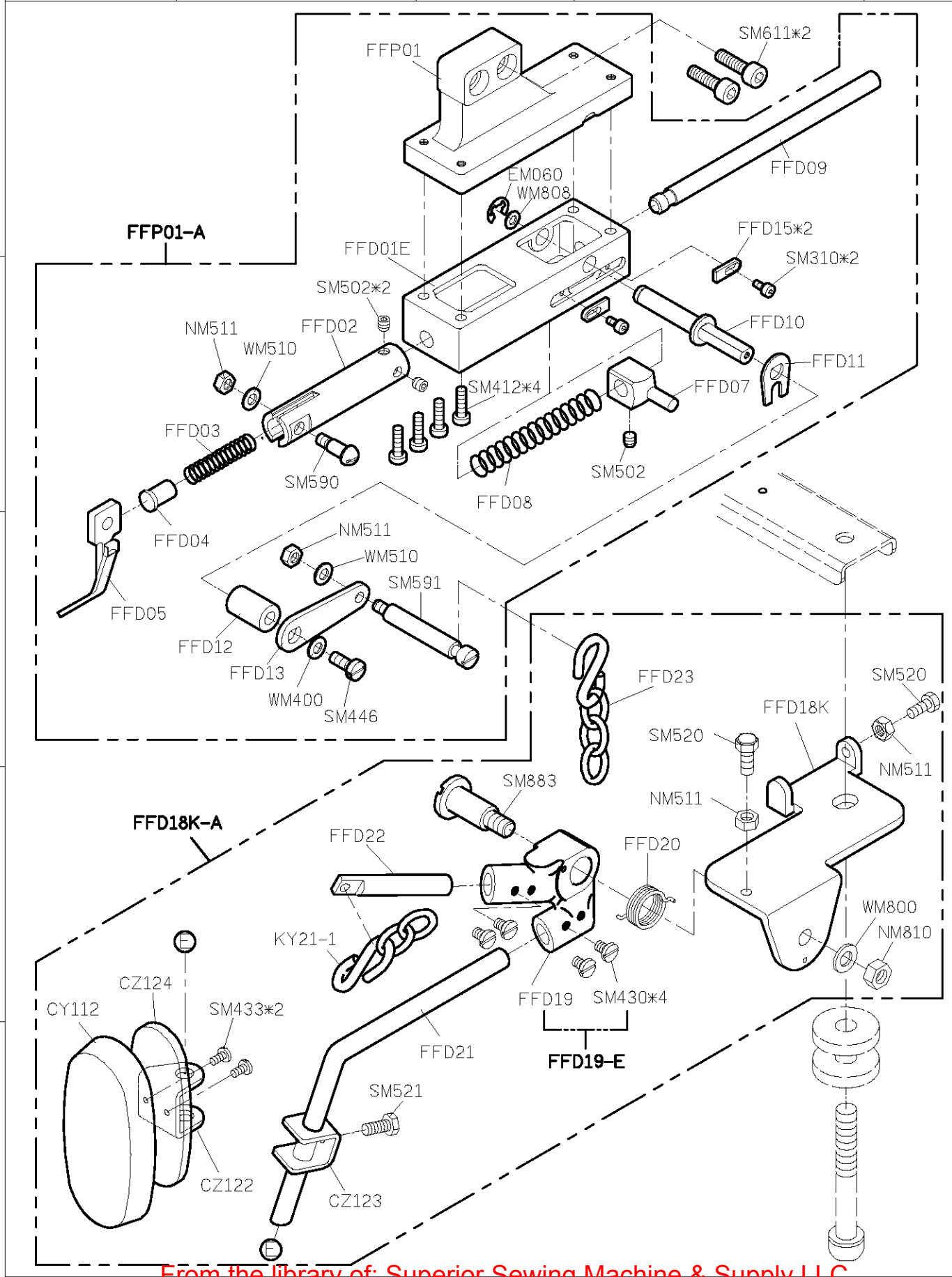
Page

2/3

Date

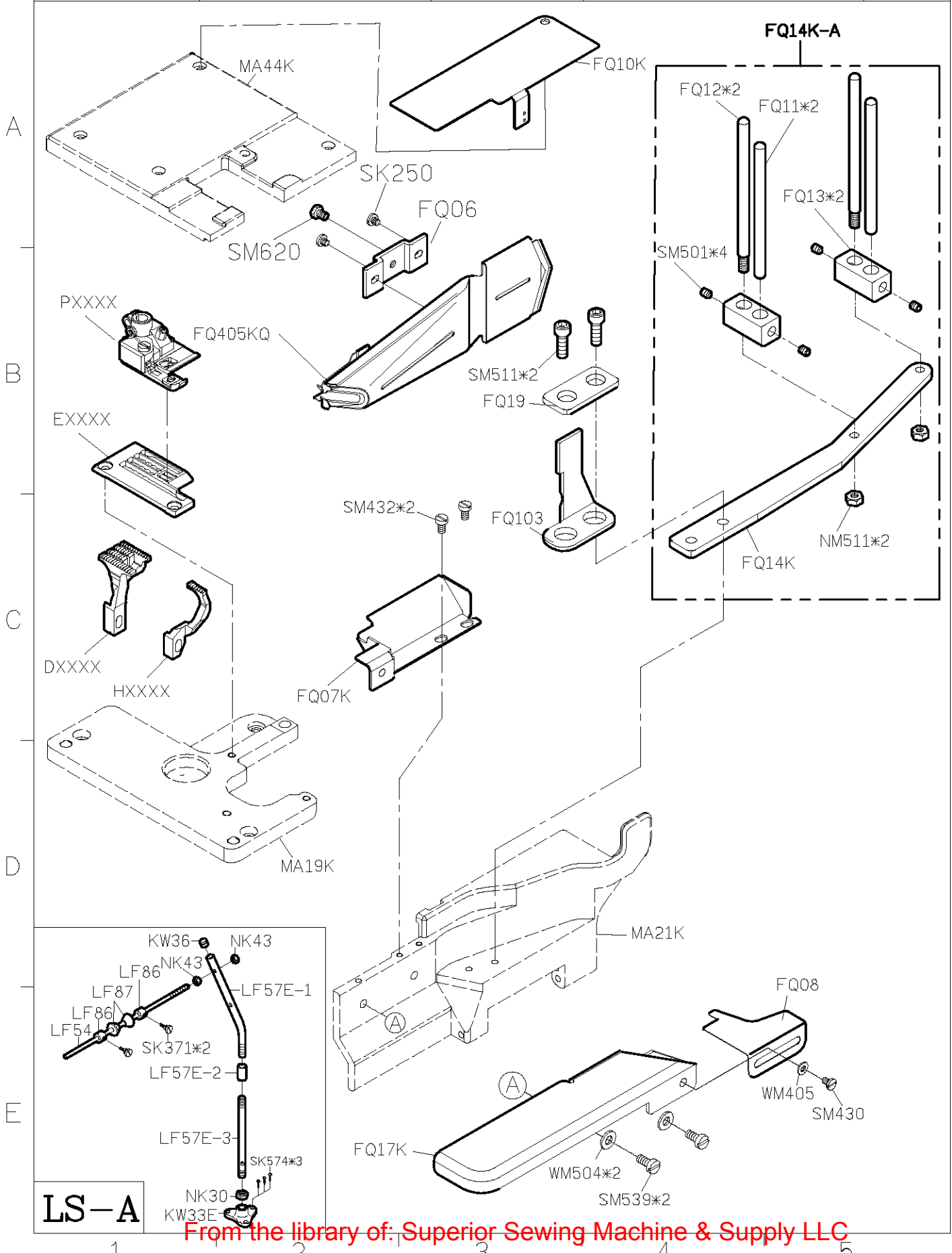
2012/10/31

A  
B  
C  
D  
E

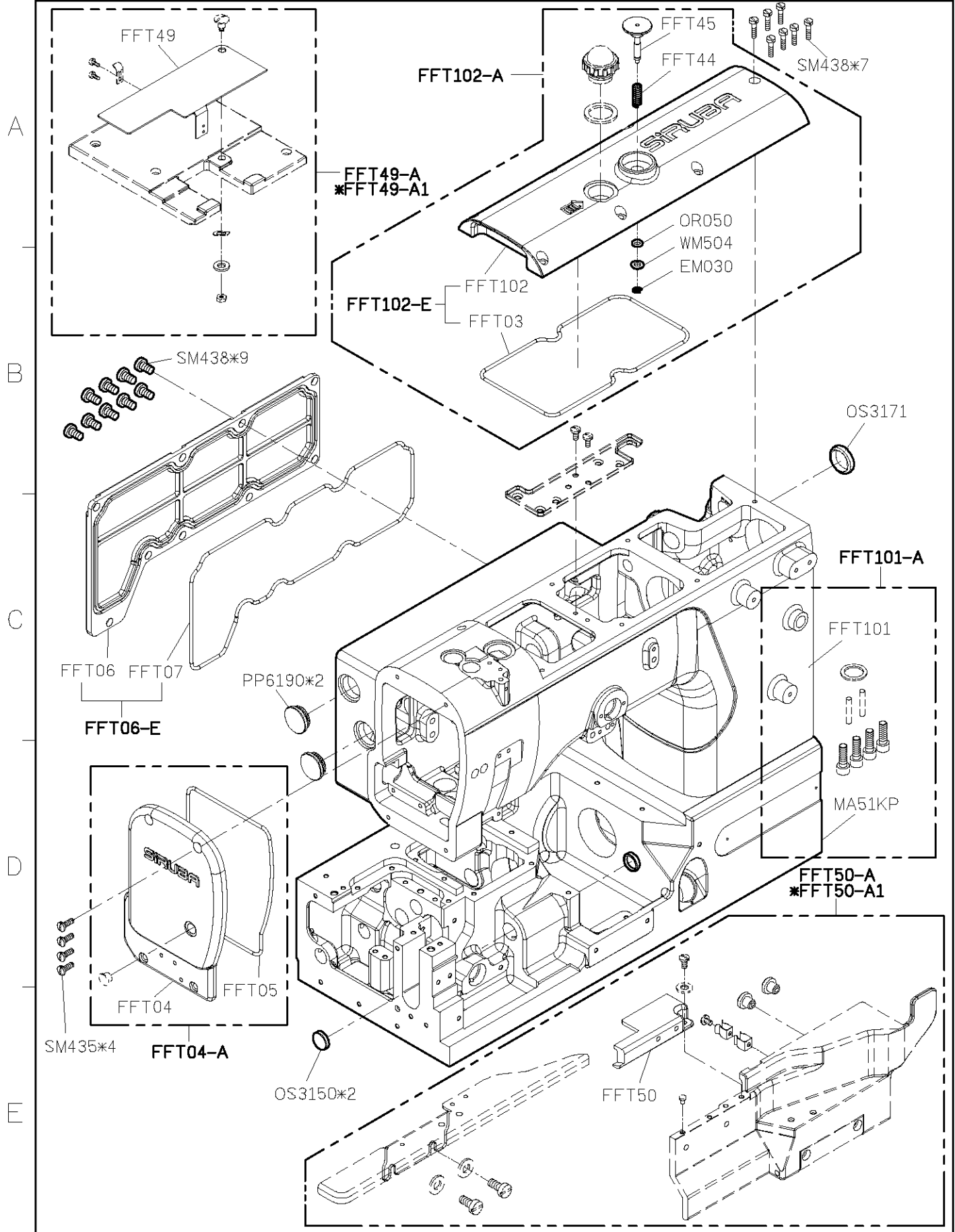




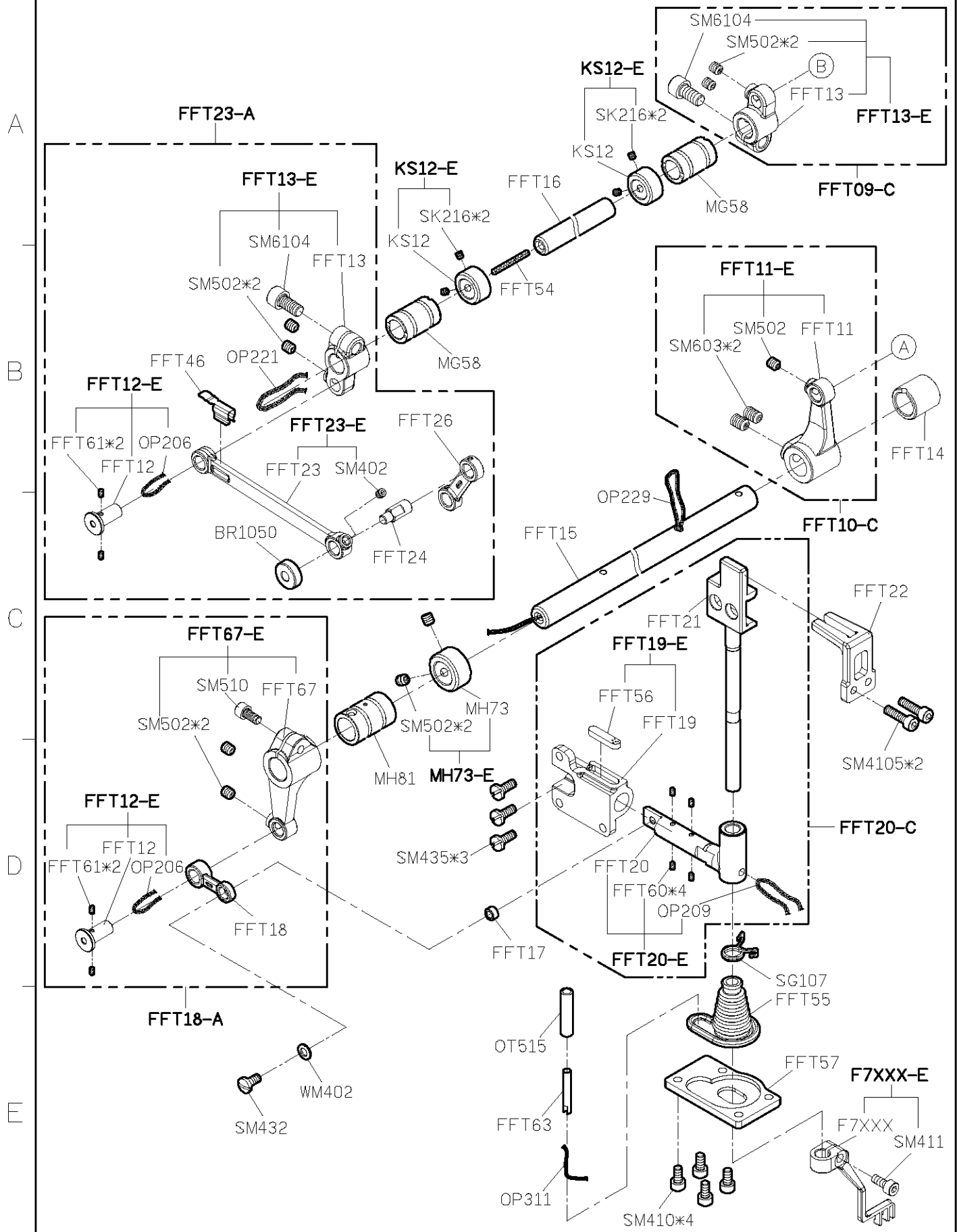
<b>SIRUBA</b> PARTS LIST	<b>F007K/F007KD</b> <b>F858K/F858KD</b>	Parts Group	Subclass / Remark	Page
		<b>FFP-K</b>	For F007K/F858K	3/3
				Date
				2013/01/18



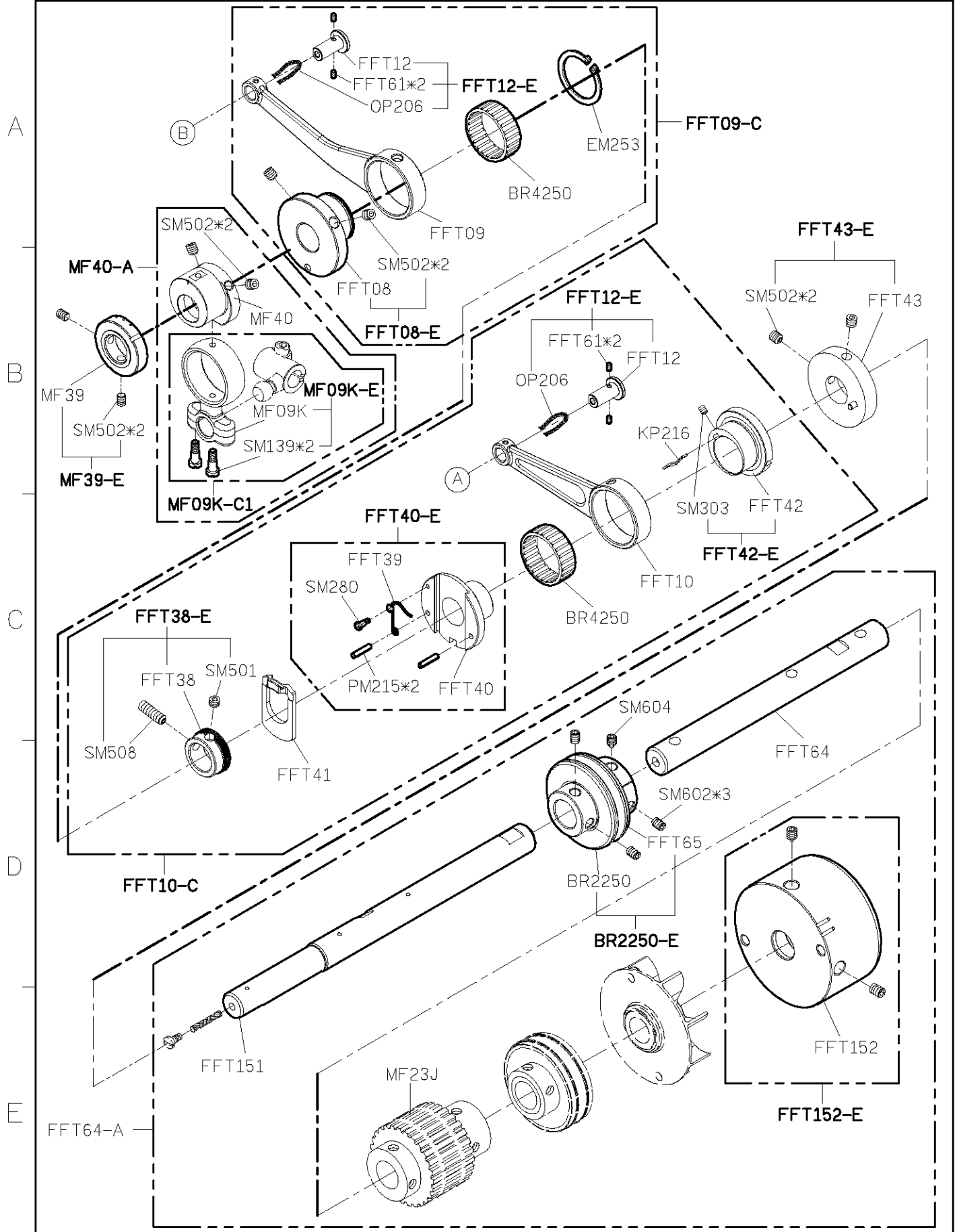
<b>SIRUBA</b> <b>PARTS LIST</b>	<b>Series</b>	<b>Parts Group</b>	<b>Subclass / Remark</b>	<b>Page</b>
	F007KD	FFT	* Use for UT	1/7
				<b>Date</b>
				2014/04/17



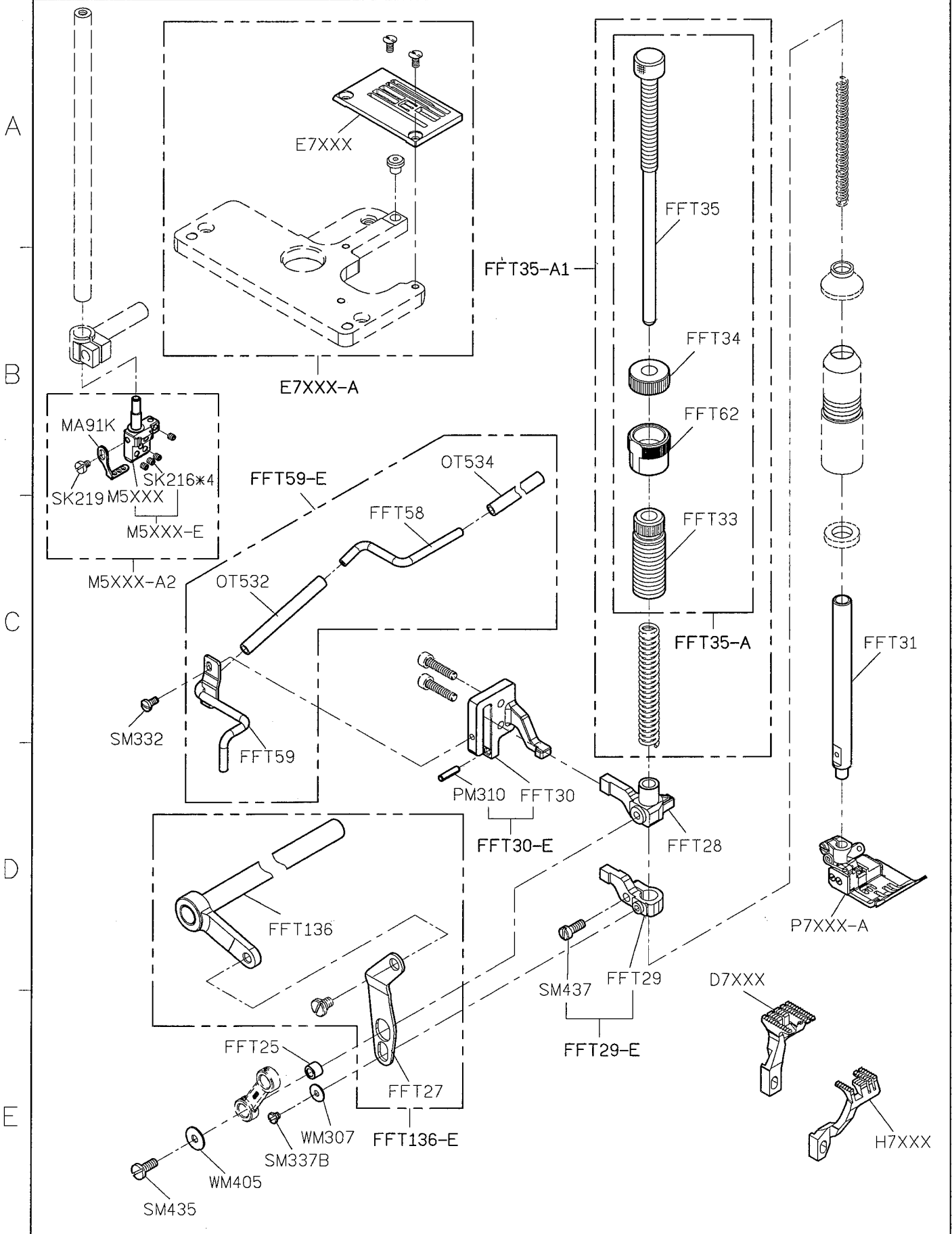
<b>SIRUBA</b> <b>PARTS LIST</b>	<b>Series</b>	<b>Parts Group</b>	<b>Subclass / Remark</b>	<b>Page</b>
	<b>F007KD</b>	<b>FFT</b>		<b>2/7</b>
				<b>Date</b>
				<b>2013/06/16</b>



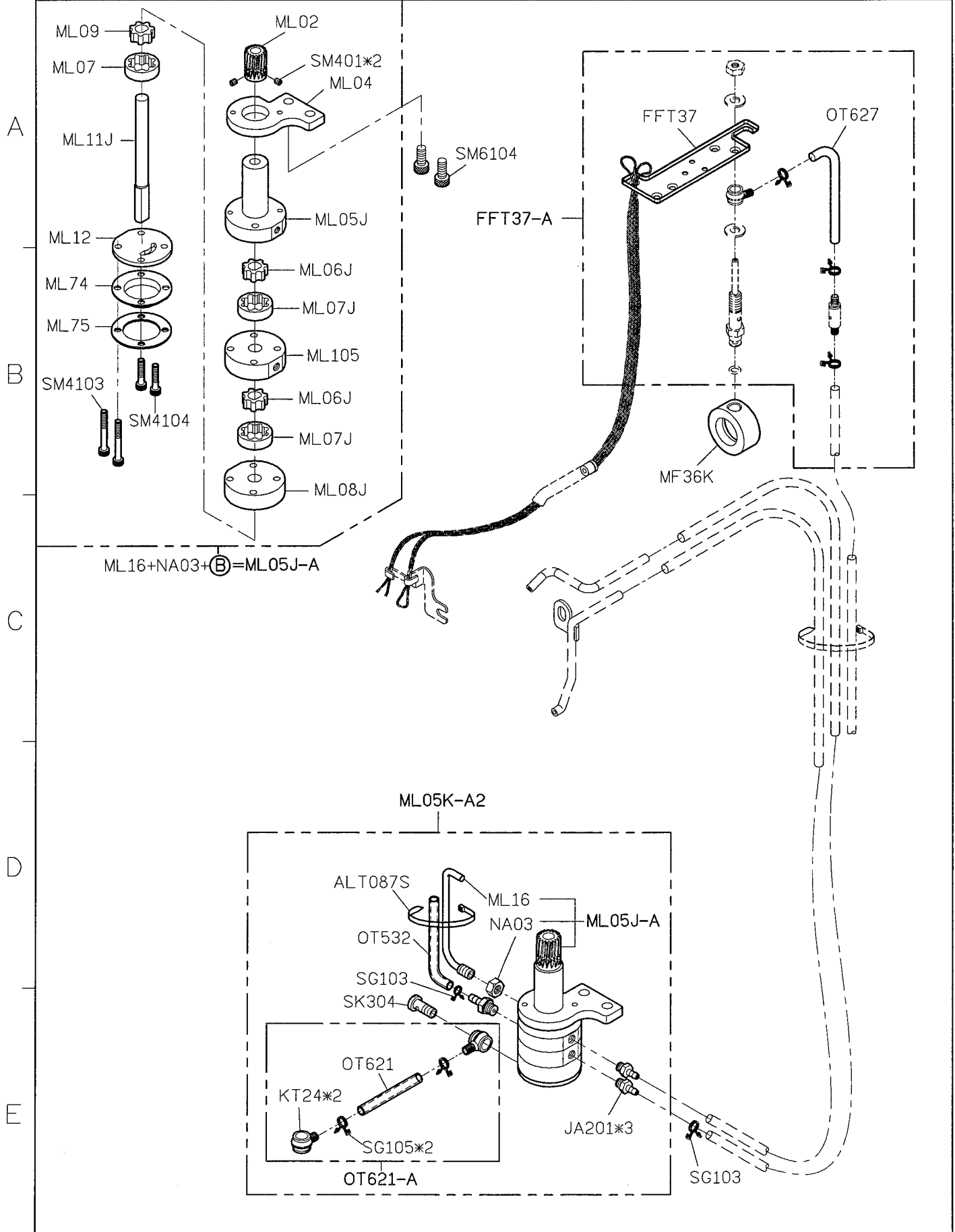
SIRUBA PARTS LIST	Series	Parts Group	Subclass / Remark	Page
	F007KD	FFT		3/7
				Date
				2012/12/25



<b>SIRUBA</b> PARTS LIST	Series	Parts Group	Subclass / Remark	Page
	F007KD	<b>FFT</b>		4/7
				Date
				2016/01/08

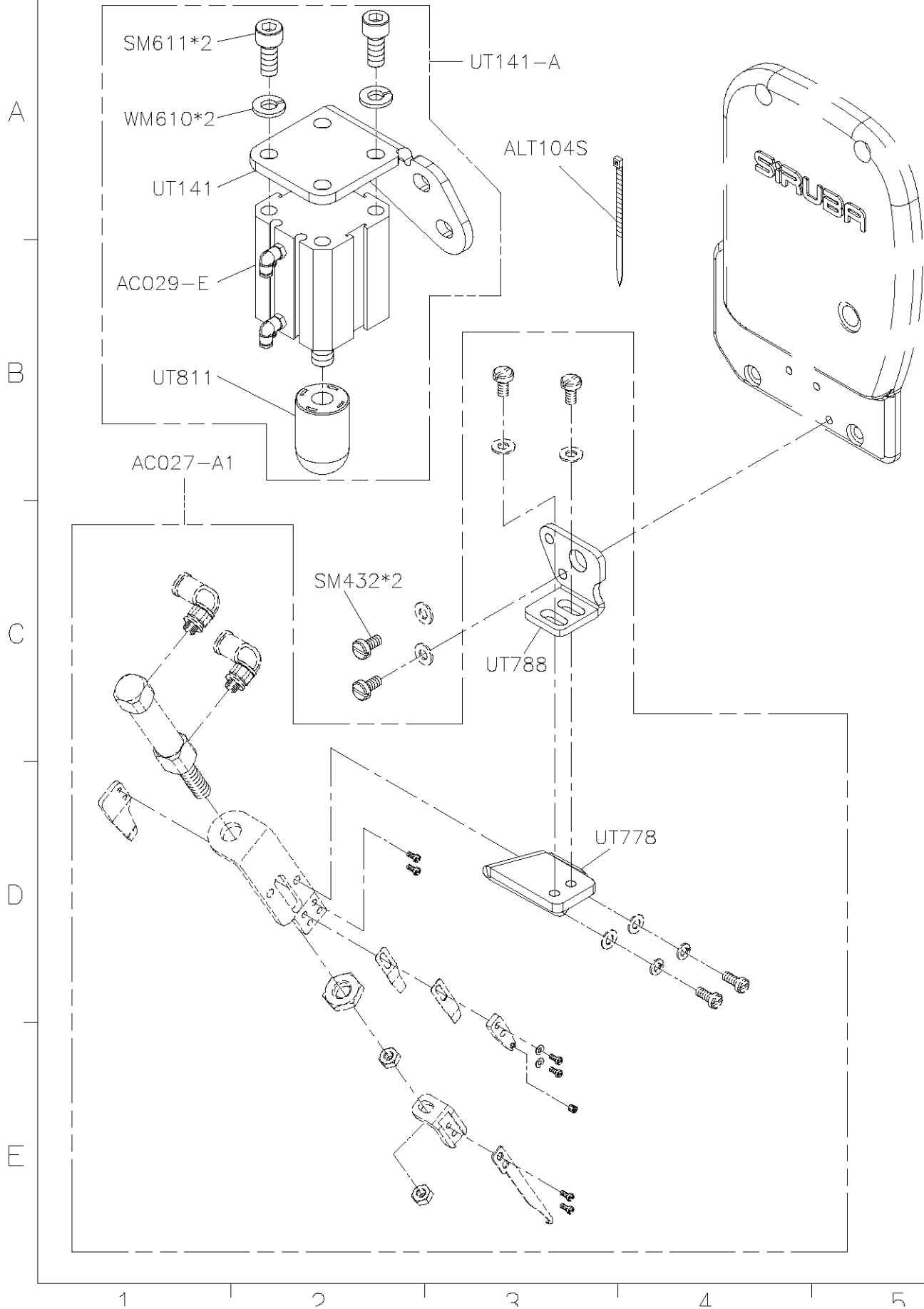


SIRUBA PARTS LIST	Series	Parts Group	Subclass / Remark	Page
	F007KD	FFT		5/7
				Date 2015/11/24



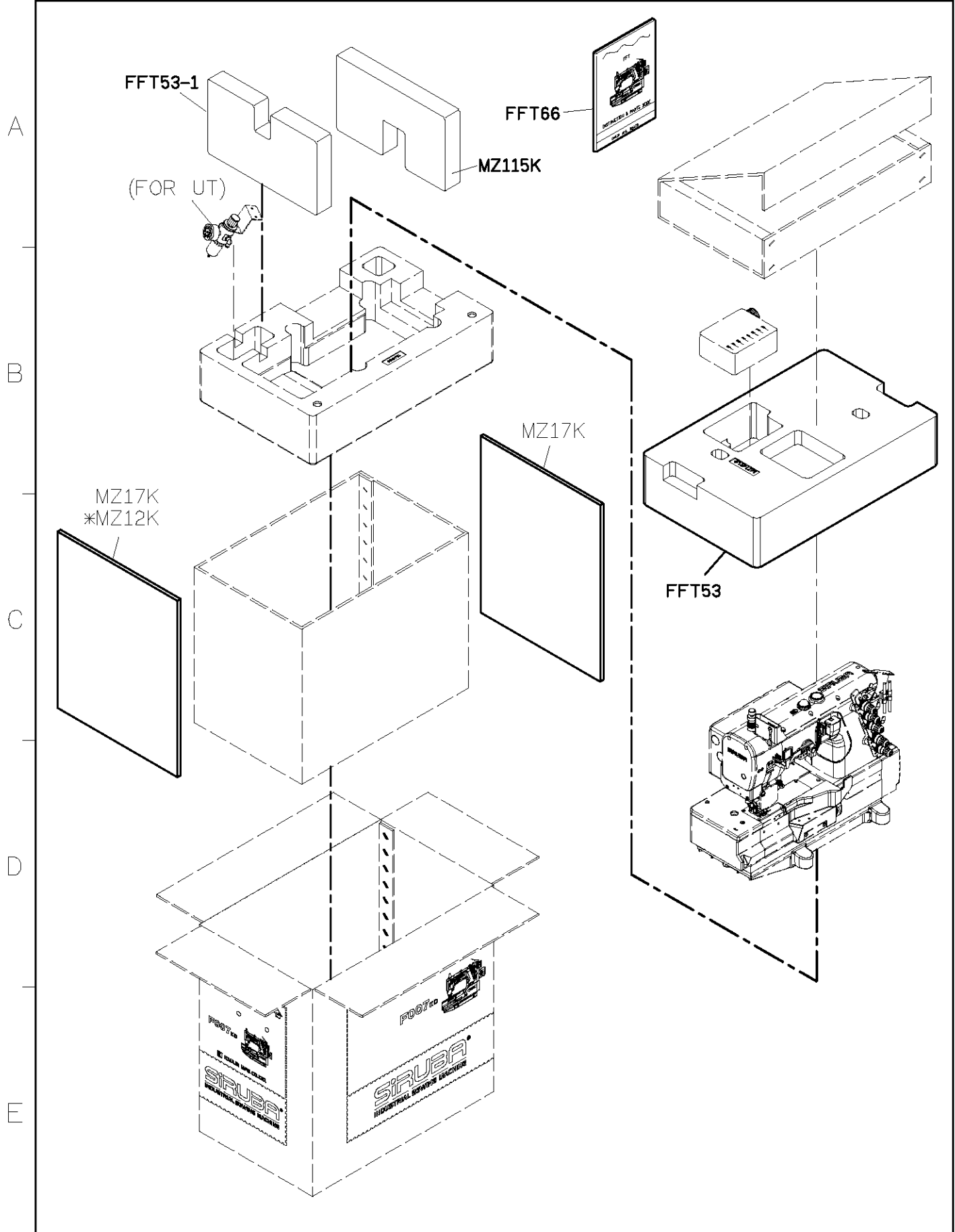
1 2 3 4 5

<b>SIRUBA</b> <b>PARTS LIST</b>	Series	Parts Group	Subclass / Remark	Page
	F007KD	<b>FFT</b>	Use for UT	6/7
				Date
				2014/03/10





SIRUBA PARTS LIST	Series	Parts Group	Subclass / Remark	Page
	F007KD	FFT	* Use for UT	7/7
				Date
				2012/08/20

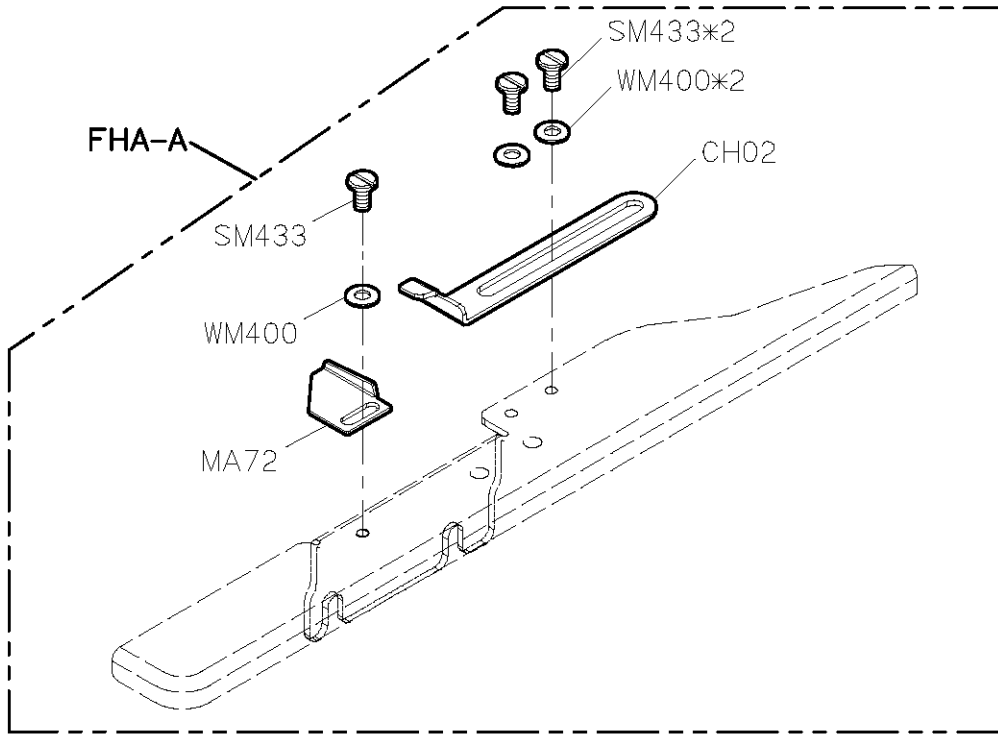


1                      2                      3                      4                      5

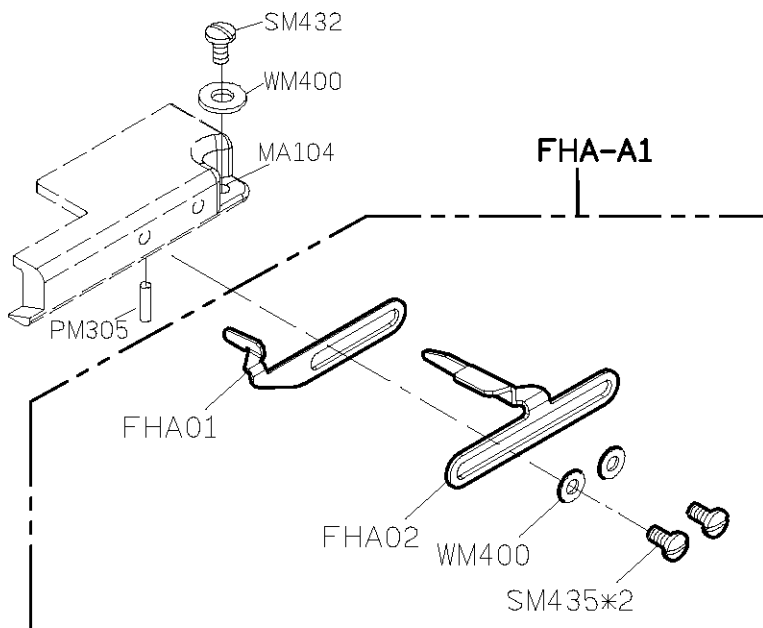


<b>SIRUBA</b> PARTS LIST	Series	Parts Group	Subclass / Remark	Page
	F007K/KD F858K/KD	FHA-K		1/1
				Date
				2012/10/31

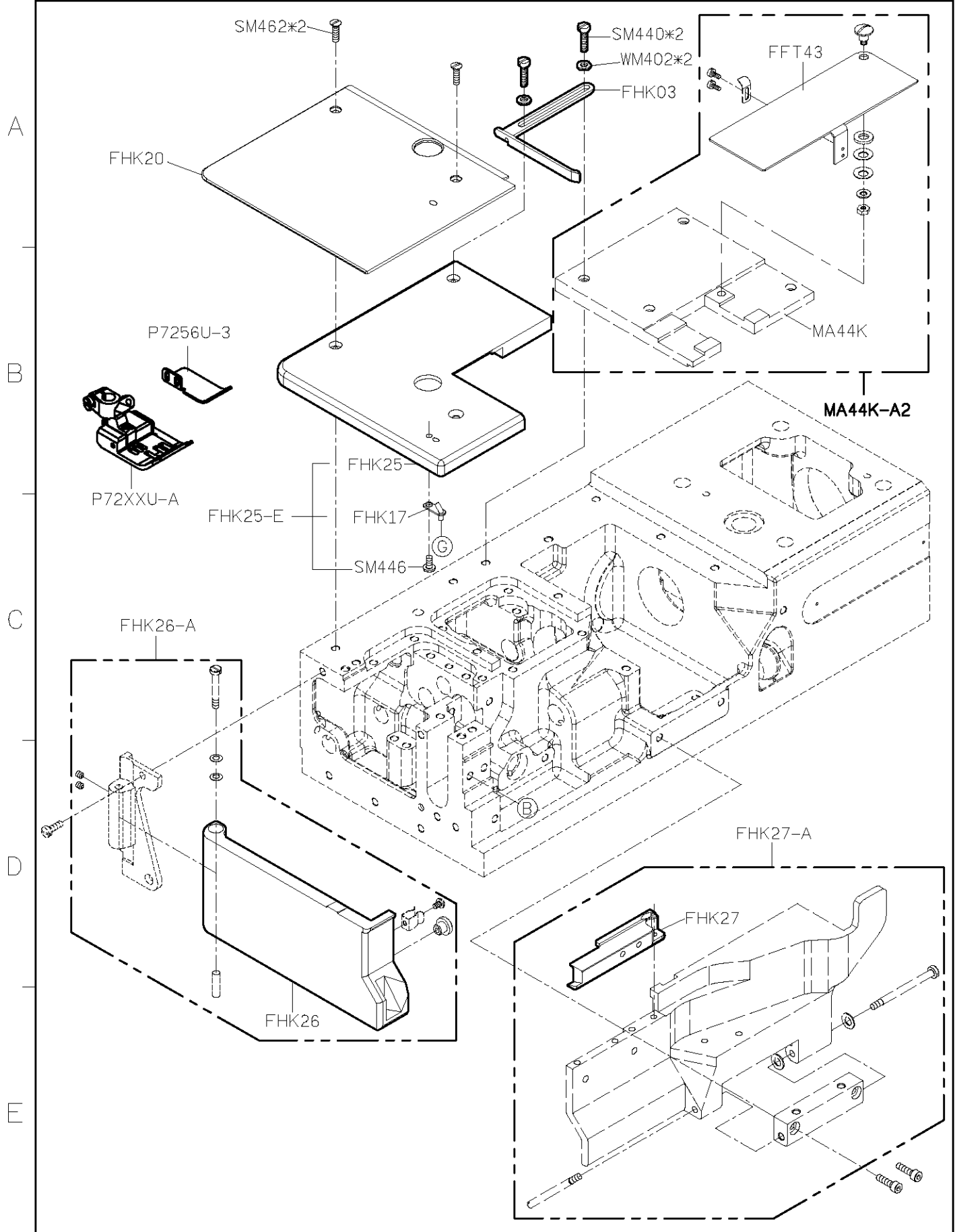
FOR FHA TYPE

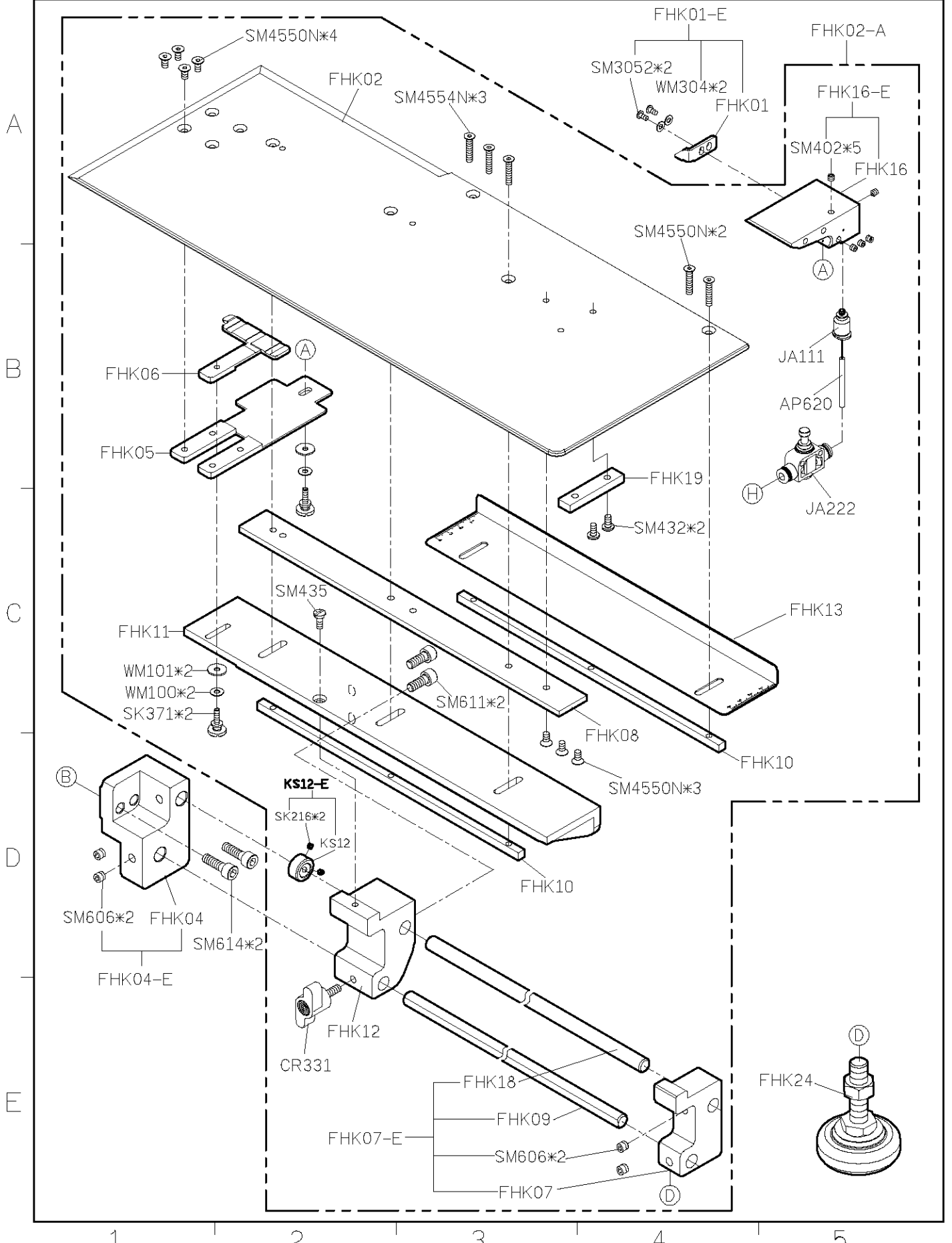


FOR FHA/FQ TYPE  
 OPTION DEVICE FOR FQ MACHINE  
 CONVERT TO FHA BOTTOM HEMMING

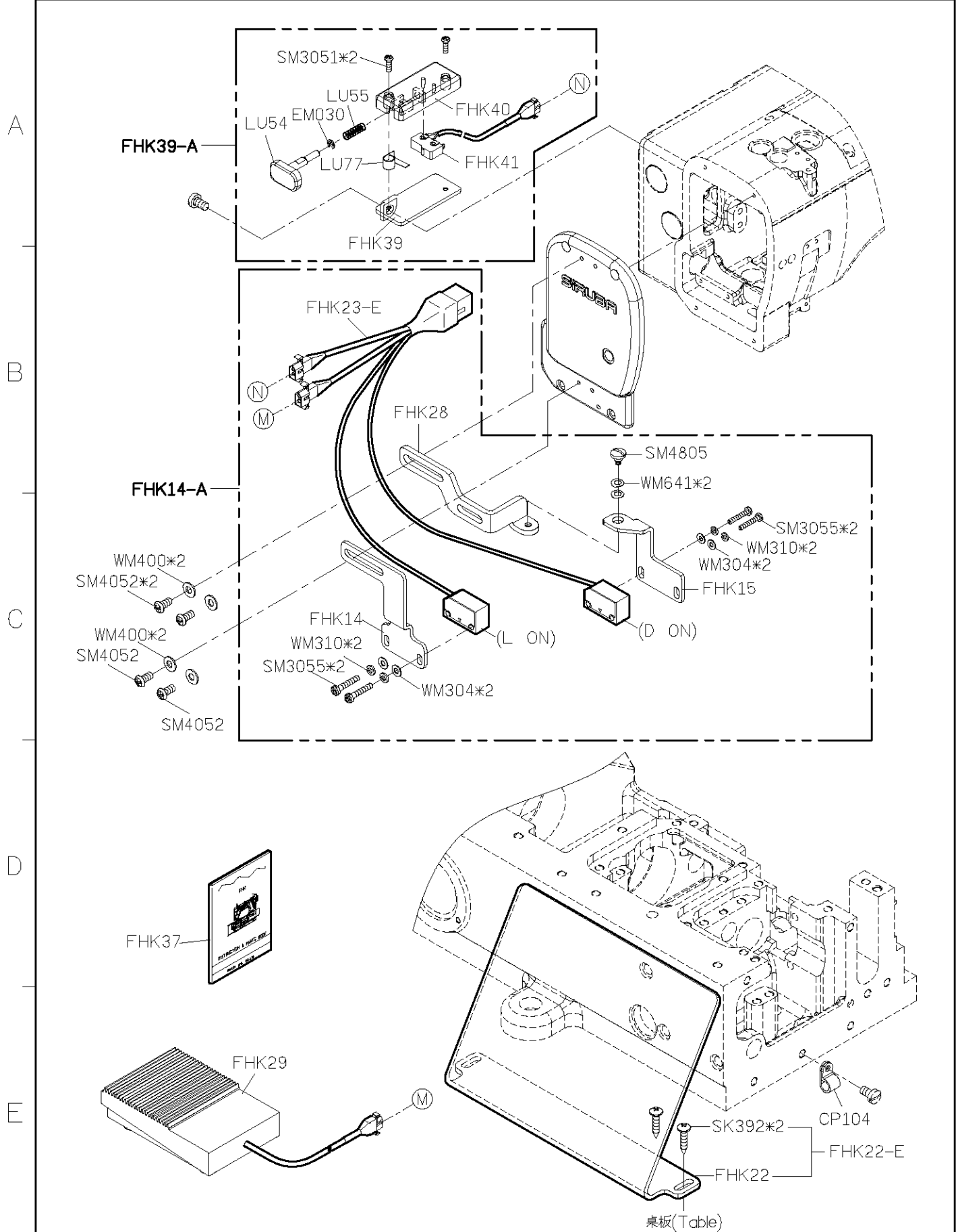


SIRUBA PARTS LIST	Series	Parts Group	Subclass / Remark	Page
	F007KD	FHK		1/6
				Date
				2015/04/21

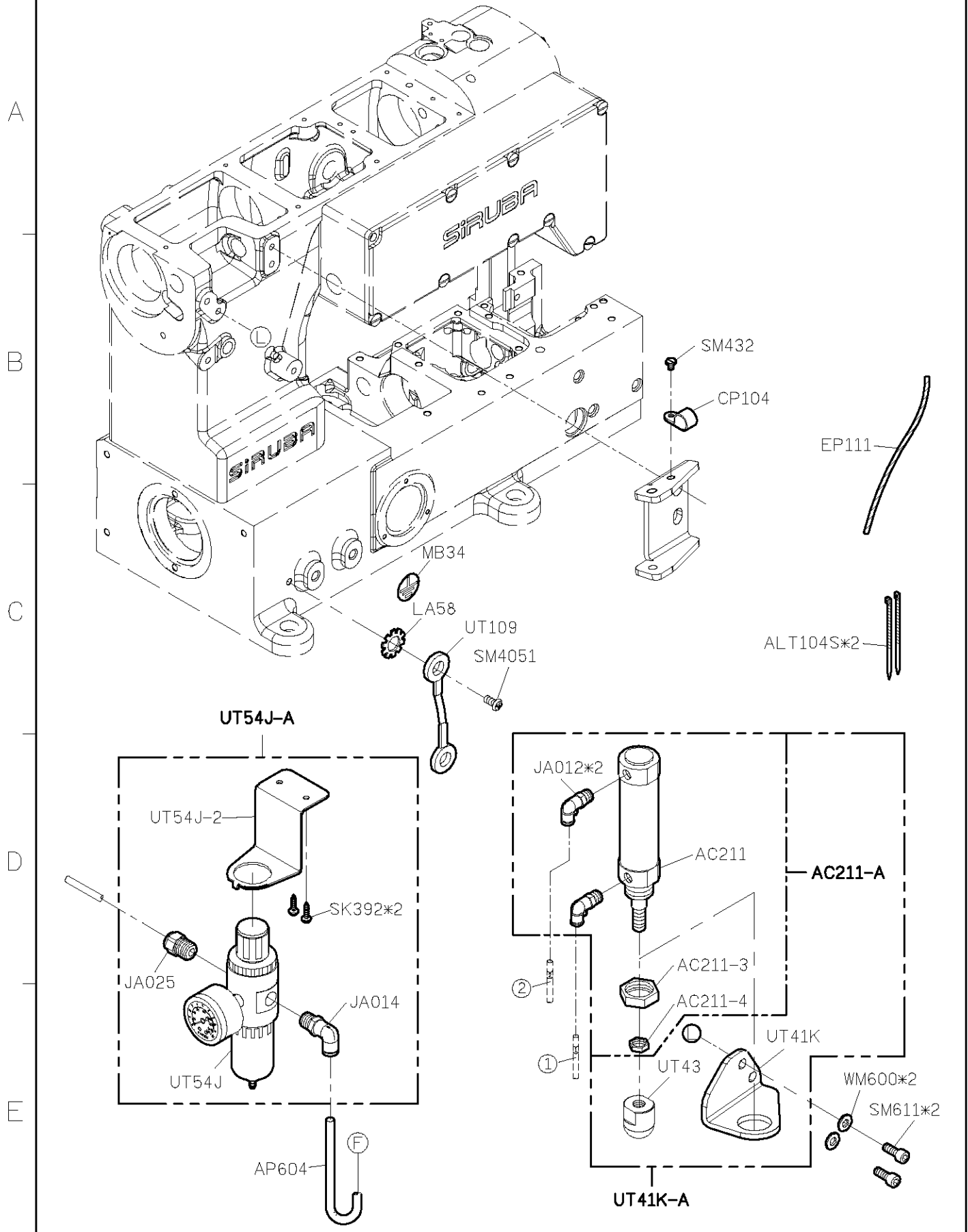




SIRUBA PARTS LIST	Series	Parts Group	Subclass / Remark	Page
	F007KD	FHK		3/6
				Date
				2015/04/21



SIRUBA PARTS LIST	Series	Parts Group	Subclass / Remark	Page
	F007KD	FHK		4/6
				Date
				2015/04/21



SIRUBA PARTS LIST	Series	Parts Group	Subclass / Remark	Page
	F007KD	FHK		5/6
				Date
				2012/08/20

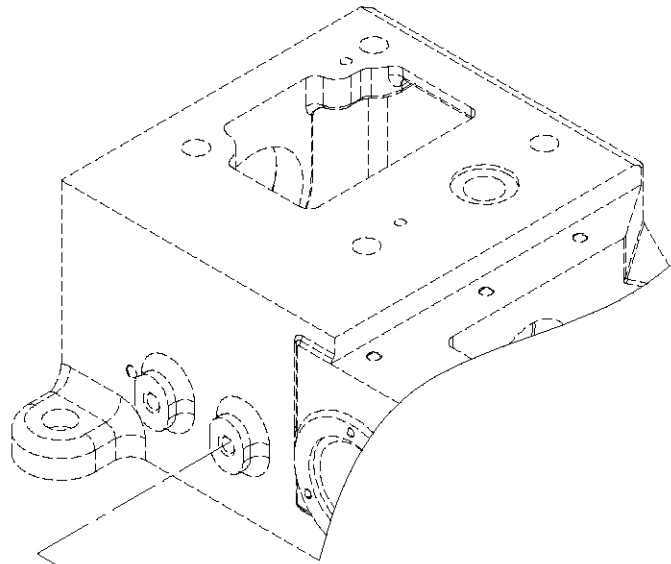
A

B

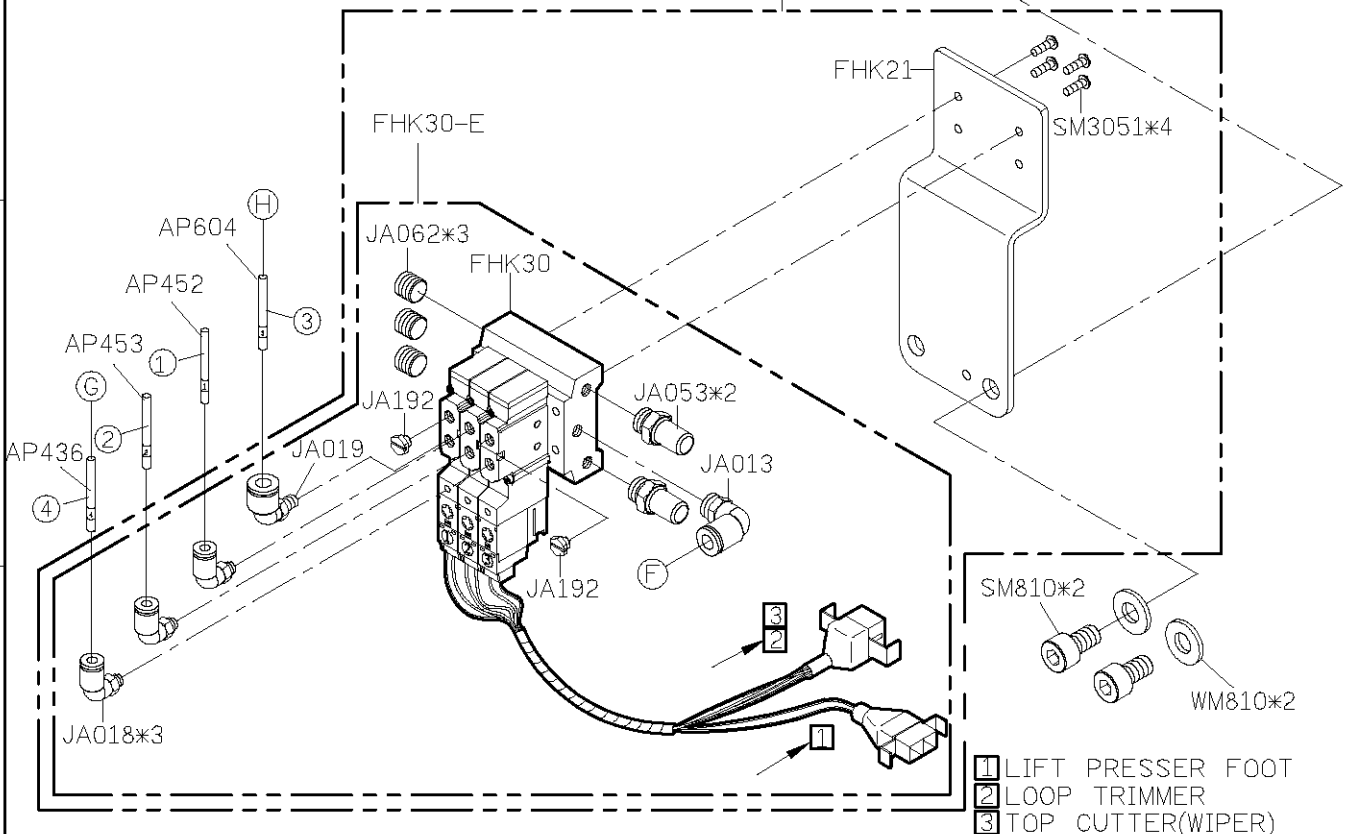
C

D

E

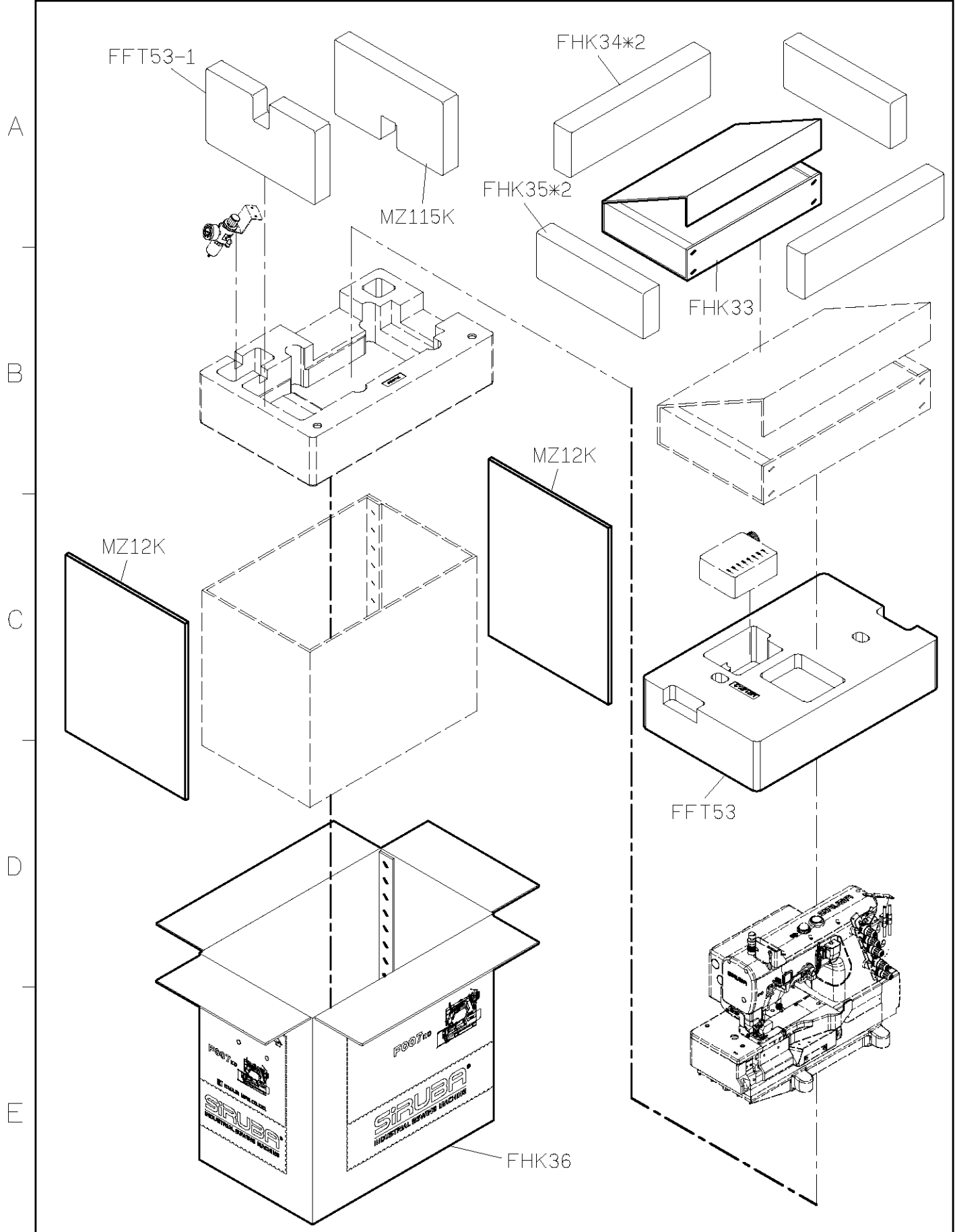


FHK30-A



- 1 LIFT PRESSER FOOT
- 2 LOOP TRIMMER
- 3 TOP CUTTER(WIPER)

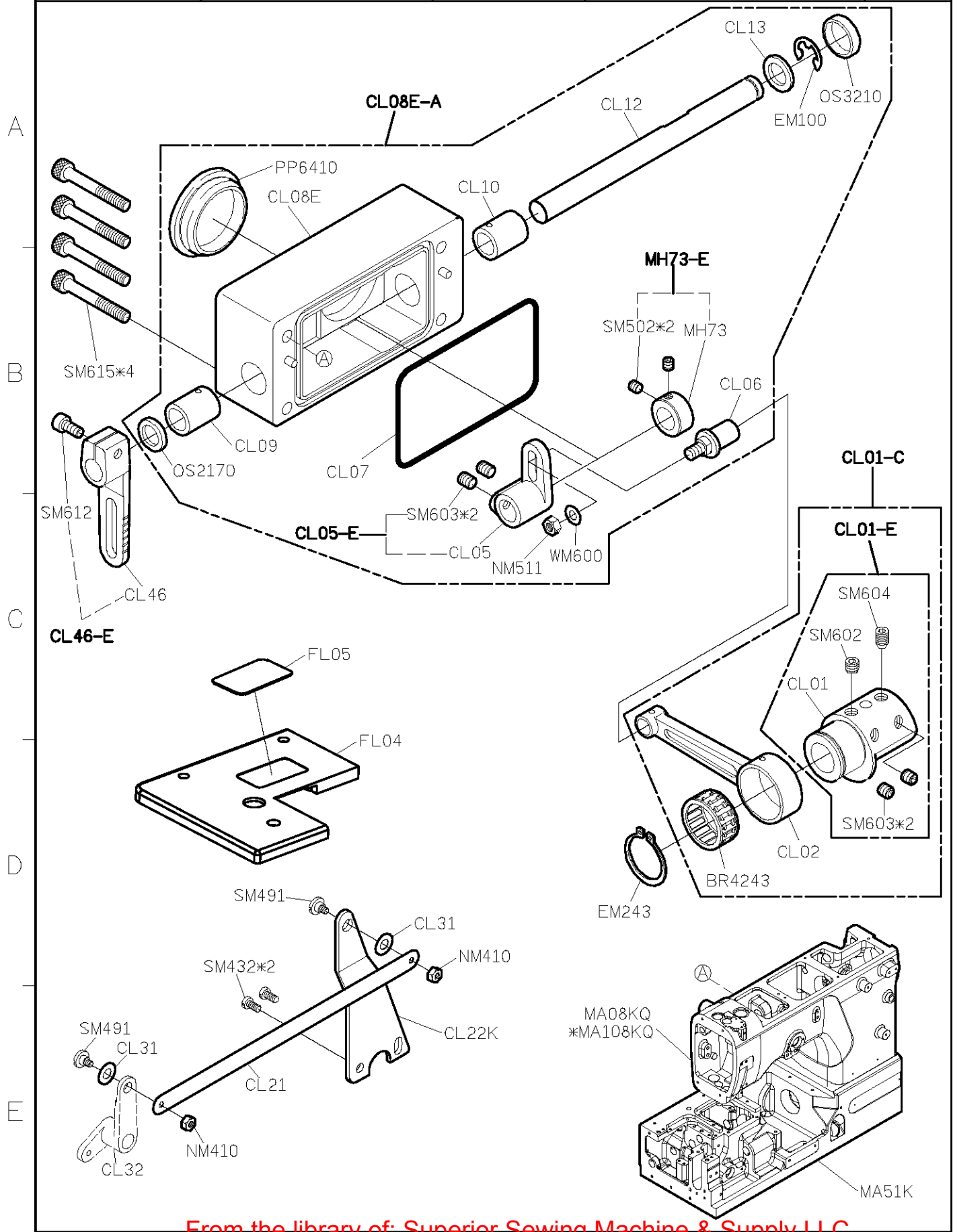
SIRUBA PARTS LIST	Series	Parts Group	Subclass / Remark	Page
	F007KD	FHK		6/6
				Date
				2012/08/20



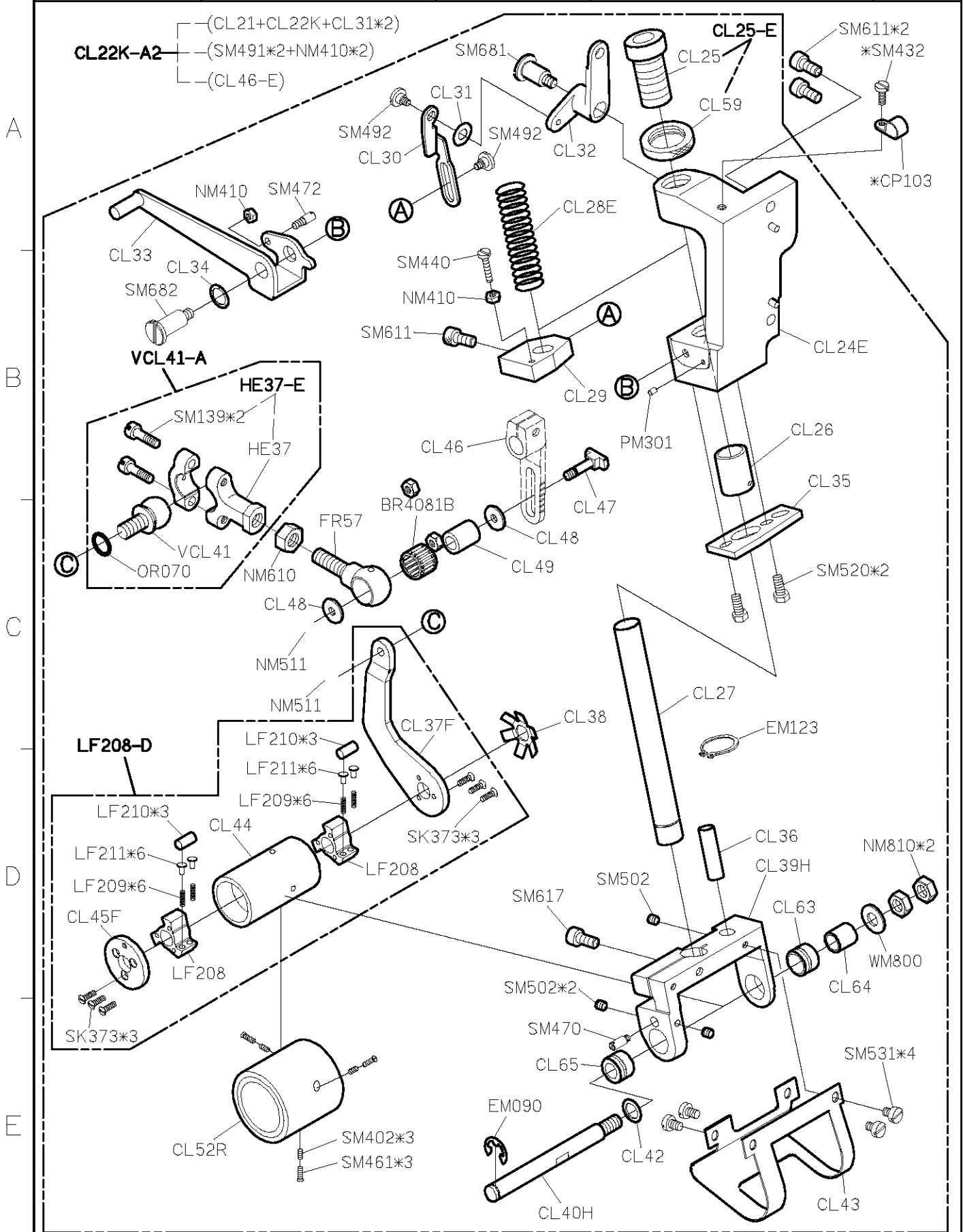
1 2 3 4 5



SIRUBA PARTS LIST	Parts Group		Subclass / Remark	Page
	F007K/F007KD		FL-K	1/2
	F858K/F858KD			Date
				2012/10/31



<b>SIRUBA</b> <b>PARTS LIST</b>		<b>Parts Group</b>	<b>Subclass / Remark</b>	<b>Page</b>
	<b>F007K/F007KD</b>	<b>FL-K</b>		<b>2/2</b>
	<b>F858K/F858KD</b>			<b>Date</b>
				<b>2012/10/31</b>



SIRUBA PARTS LIST	Series	Parts Group	Subclass / Remark	Page
	F007K/F007KD	FP-K		1/1
	F858K/F858KD			Date
				2012/10/31

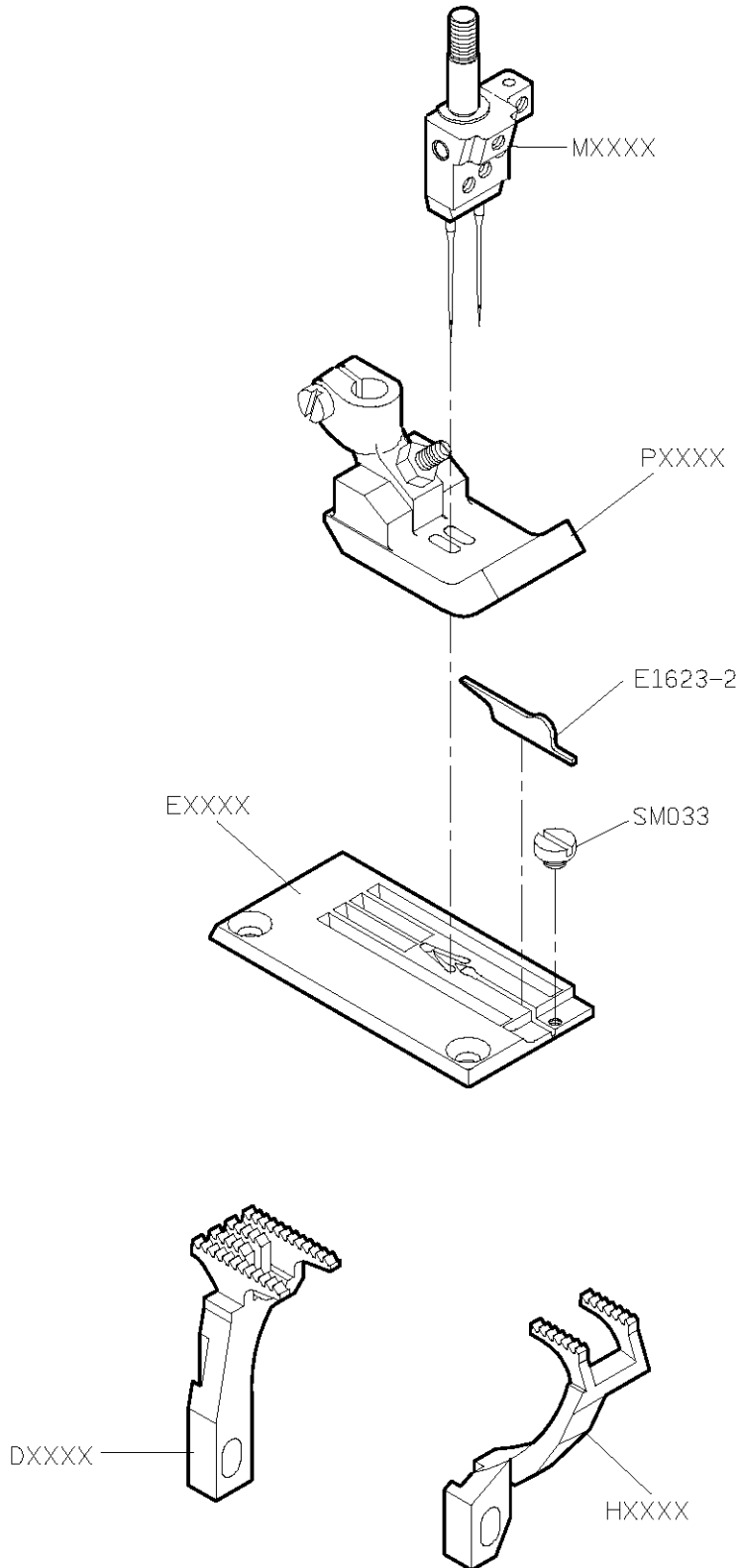
A

B

C

D

E



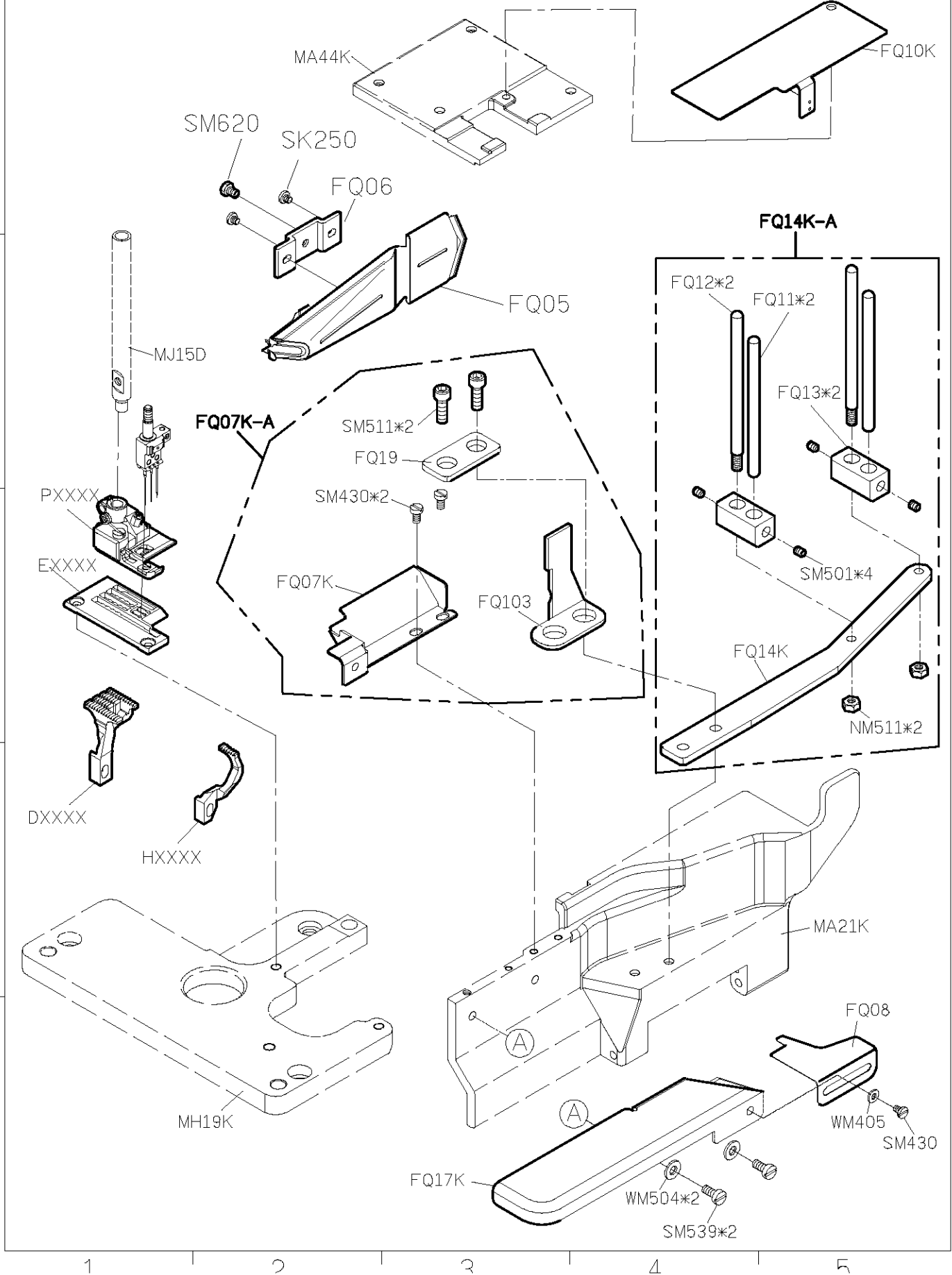
A

B

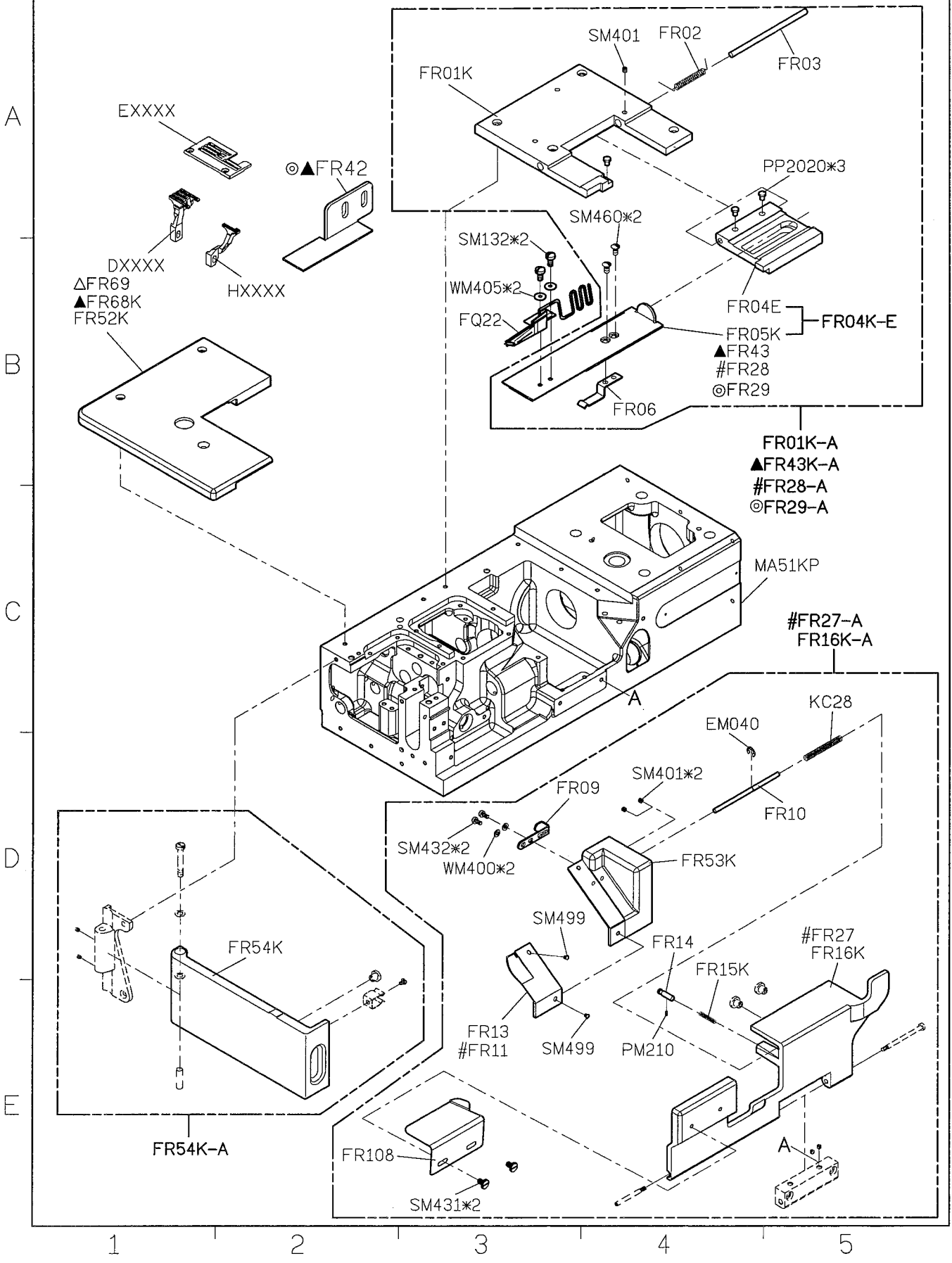
C

D

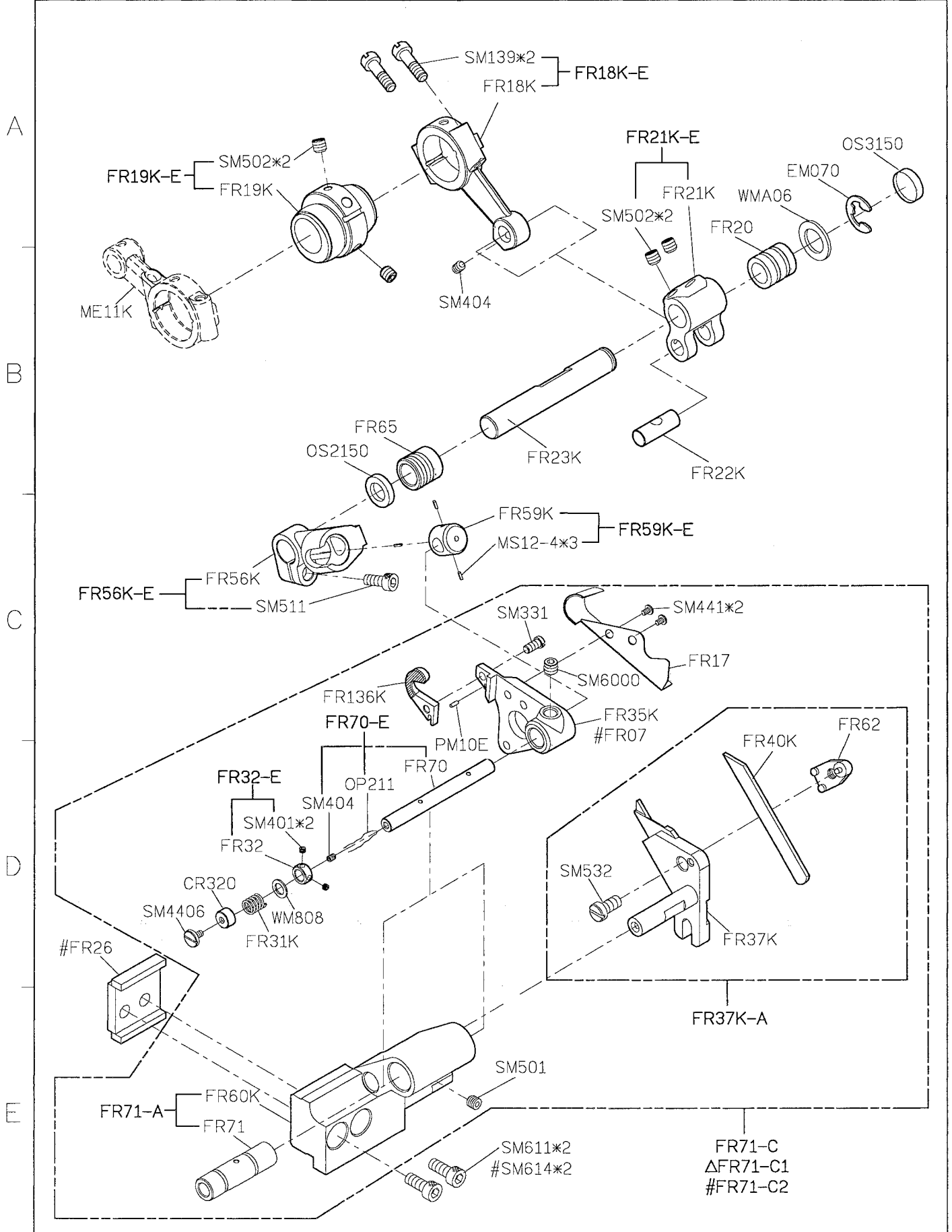
E



SIRUBA PARTS LIST	Series	Parts Group	Subclass / Remark	Page
	F007K/F007KD F858K/F858KD	FR-K FR/FQS-K	▲: Use for FR/FAC(FEC) #: Use for FR/FQS ◎: Use for FR/FQS/FAC(FEC) △: Use for FR/FAC(FEC)SHORT KNIFE短刀	1/3 Date 2015/11/05



SIRUBA PARTS LIST	Series	Parts Group	Subclass / Remark	Page
	F007K/F007KD	FR-K	△: Use for FR-232	2/3
	F858K/F858KD	FR/FQS-K	#: Use for FR/FQS	Date
				2016/01/21



**FR66-A**

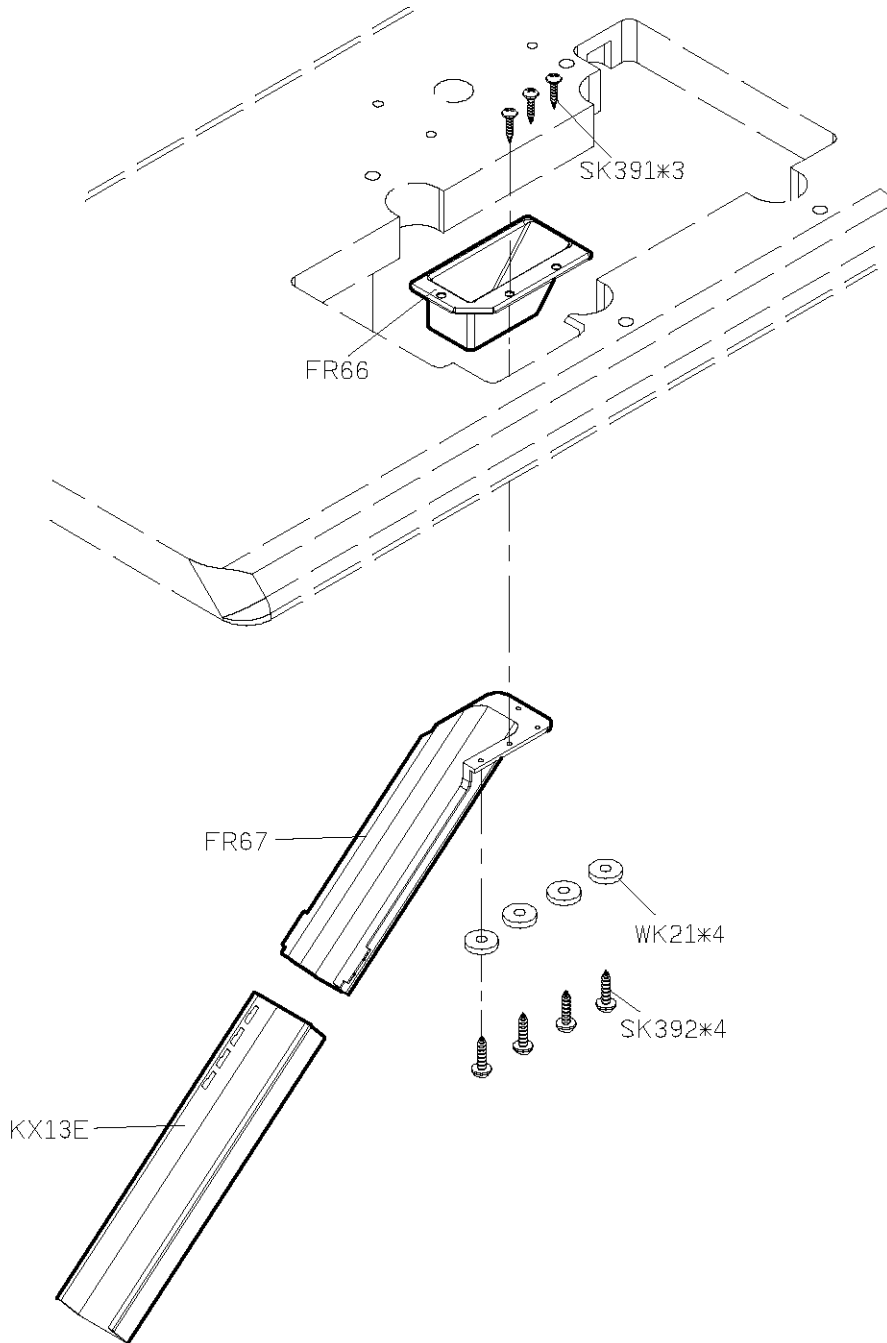
A

B

C

D

E



1

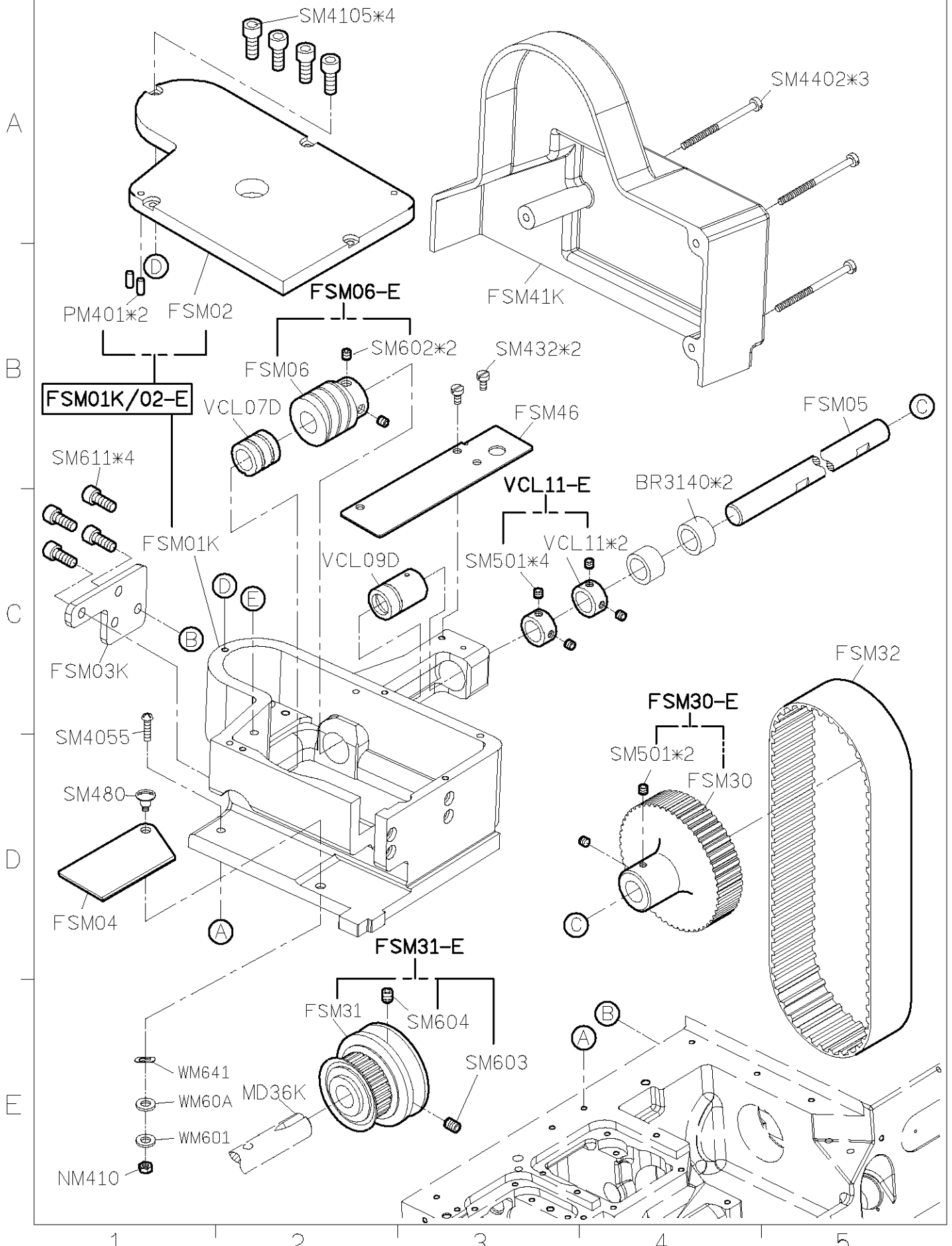
2

3

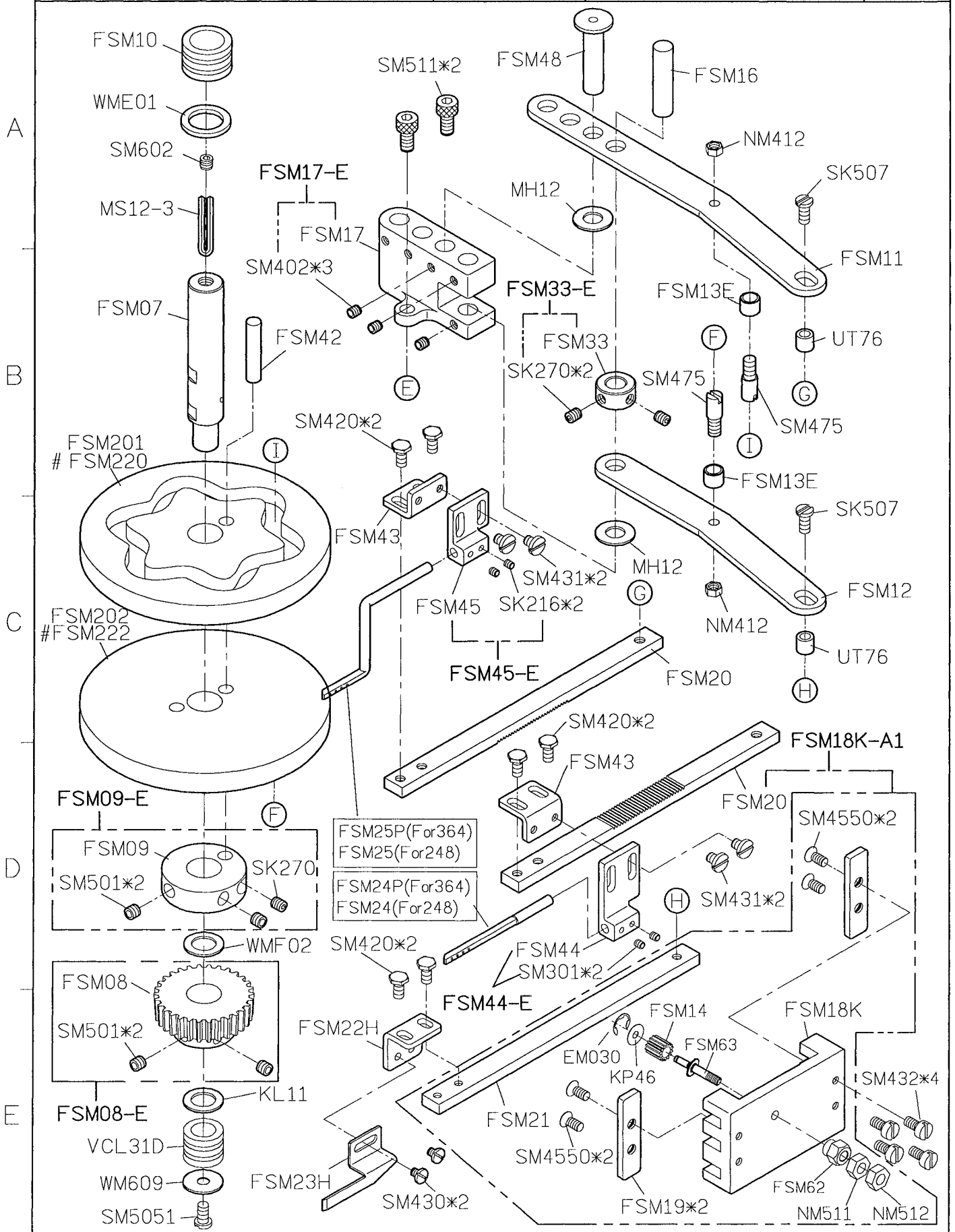
4

5

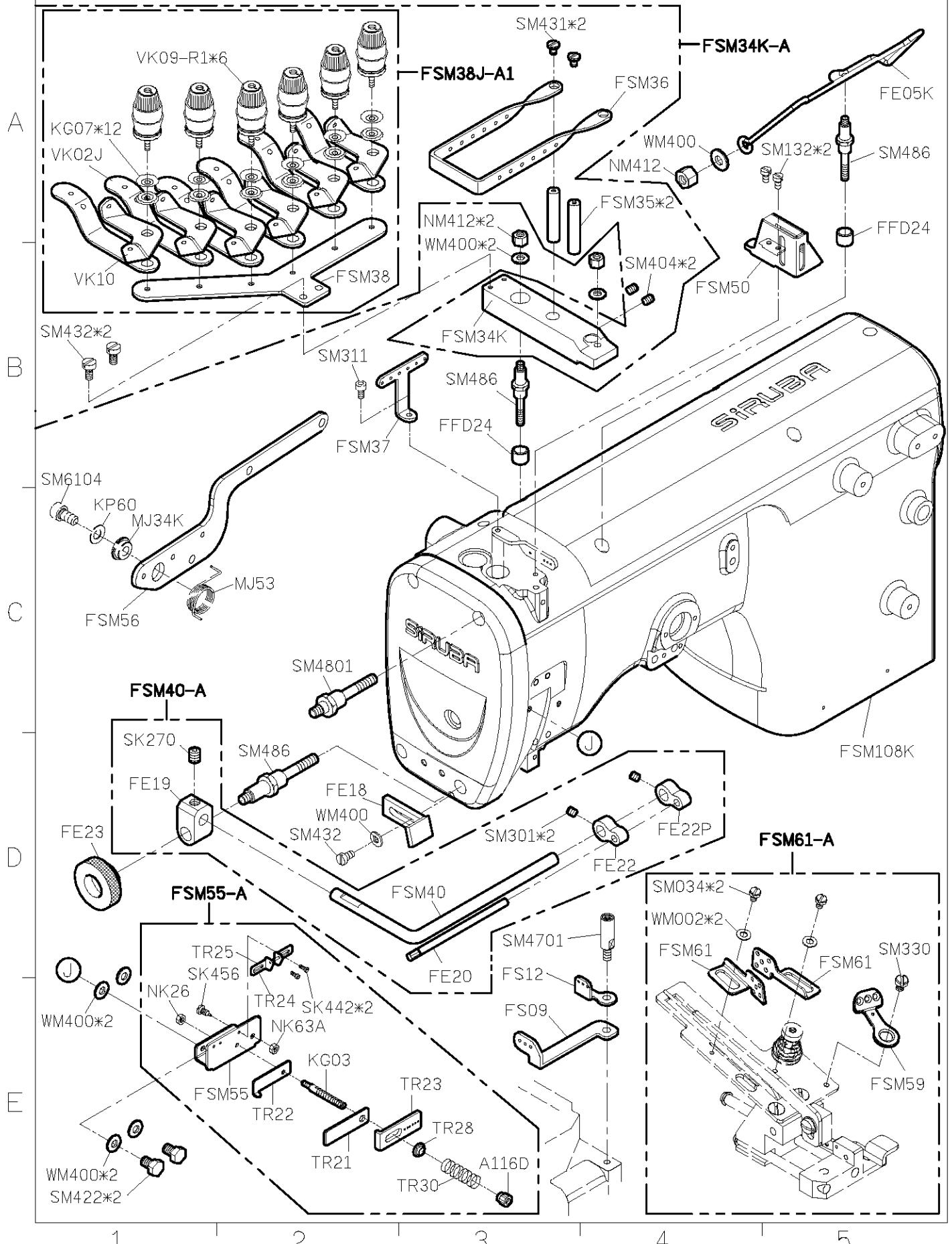




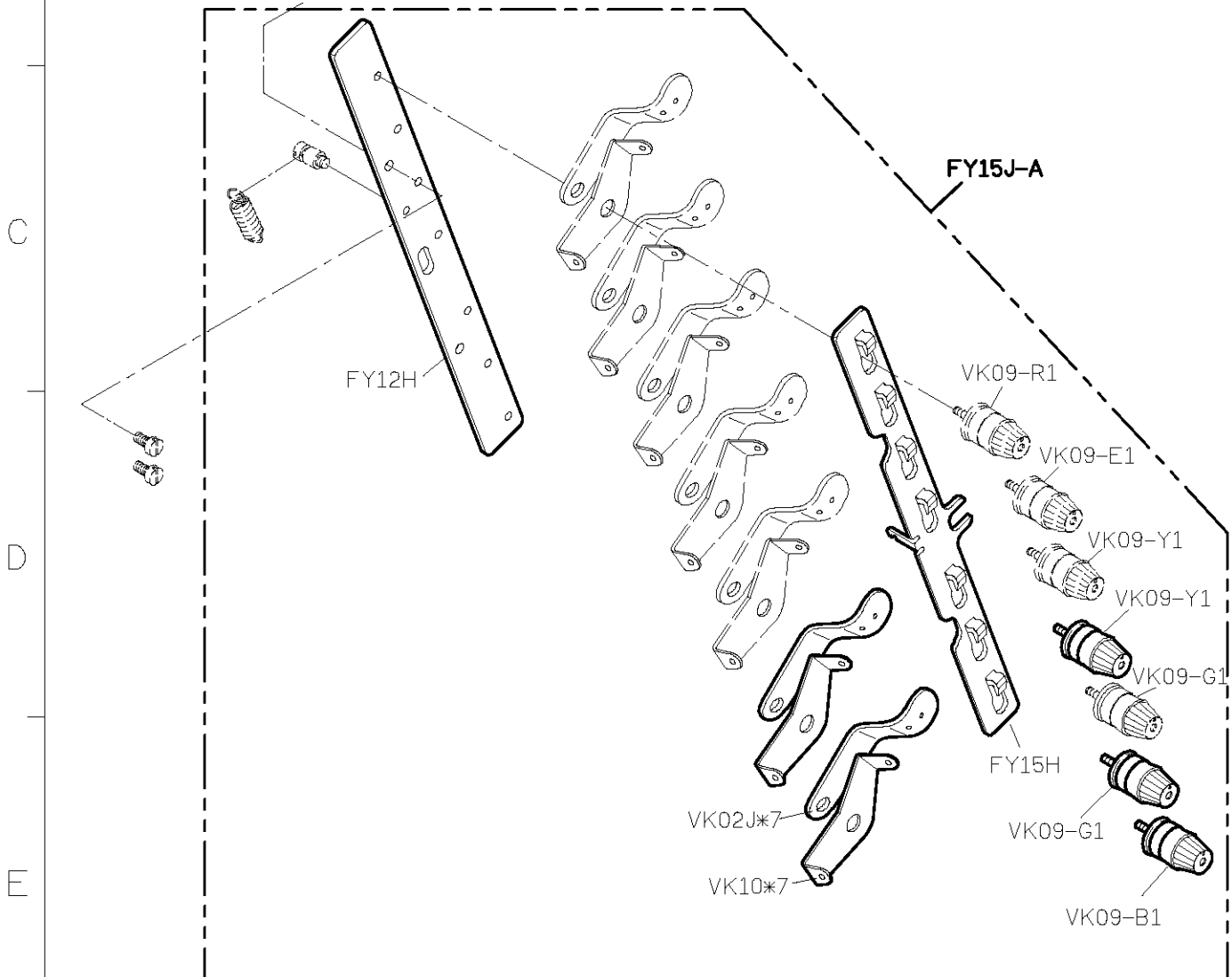
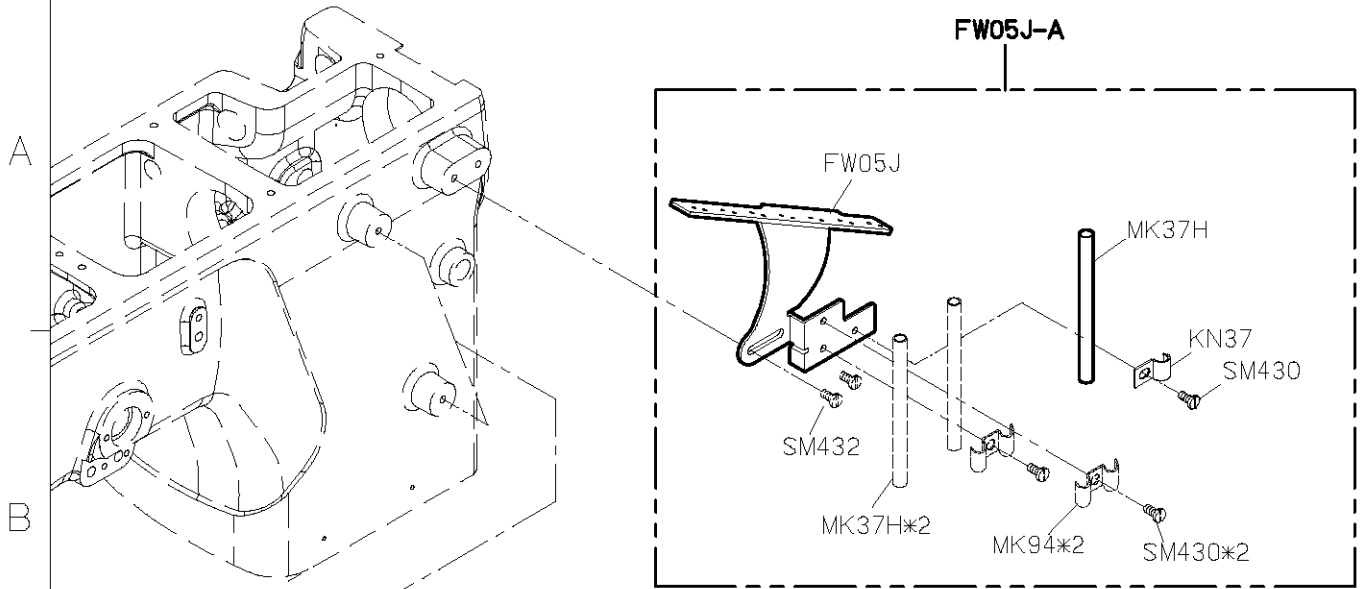
<b>SIRUBA</b> PARTS LIST	<b>F007K/F007KD</b> <b>F858K/F858KD</b>	Parts Group	Subclass / Remark	Page
		<b>FSM-K</b>	For F007K/F858K # FSM220/222 are backup	2/6
				Date
				2015/10/20



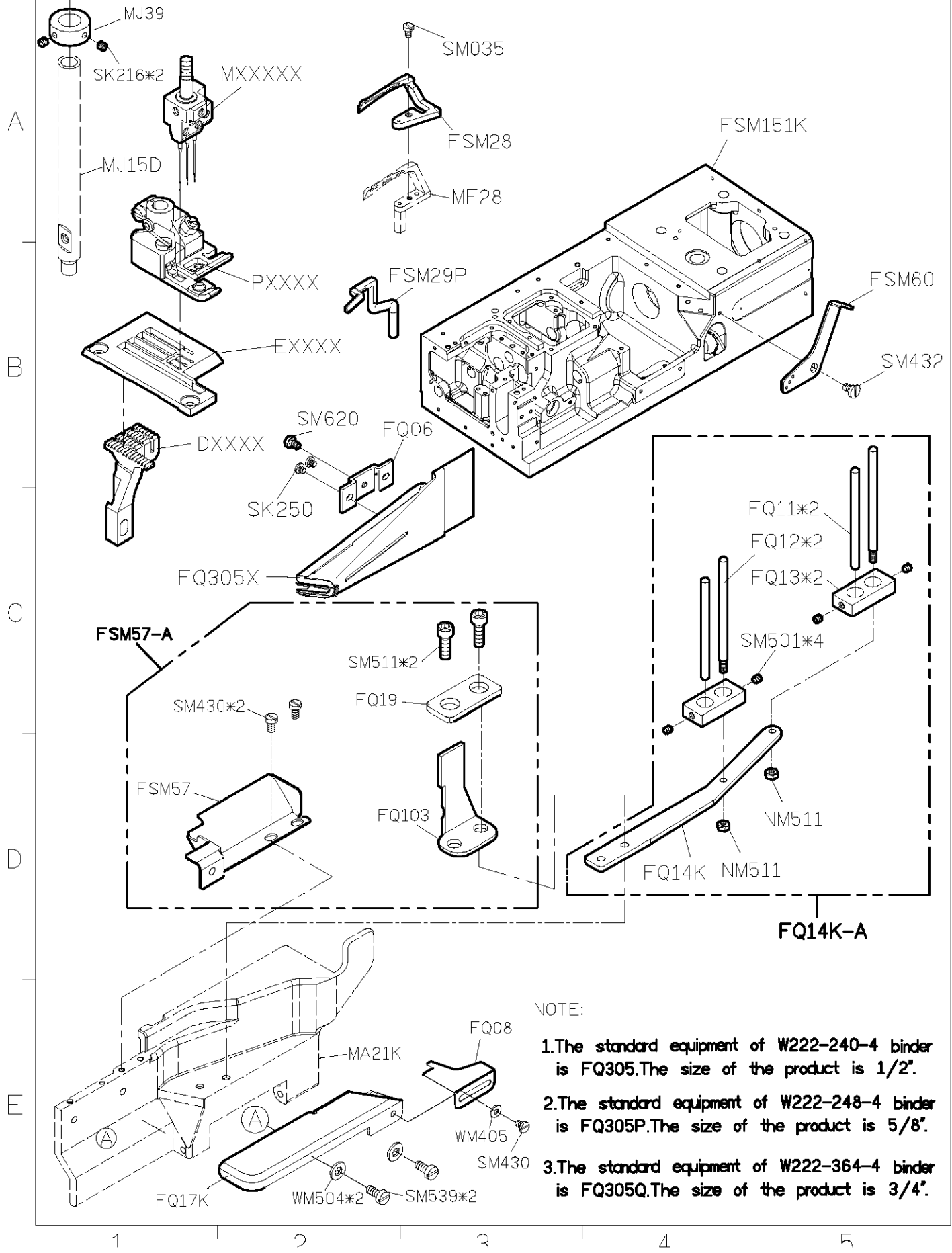
SIRUBA PARTS LIST	Parts Group		Subclass / Remark	Page	
	F007K/F007KD		<b>FSM-K</b>	<b>For F007K/F858K</b>	3/6
	F858K/F858KD				Date
					2013/10/08



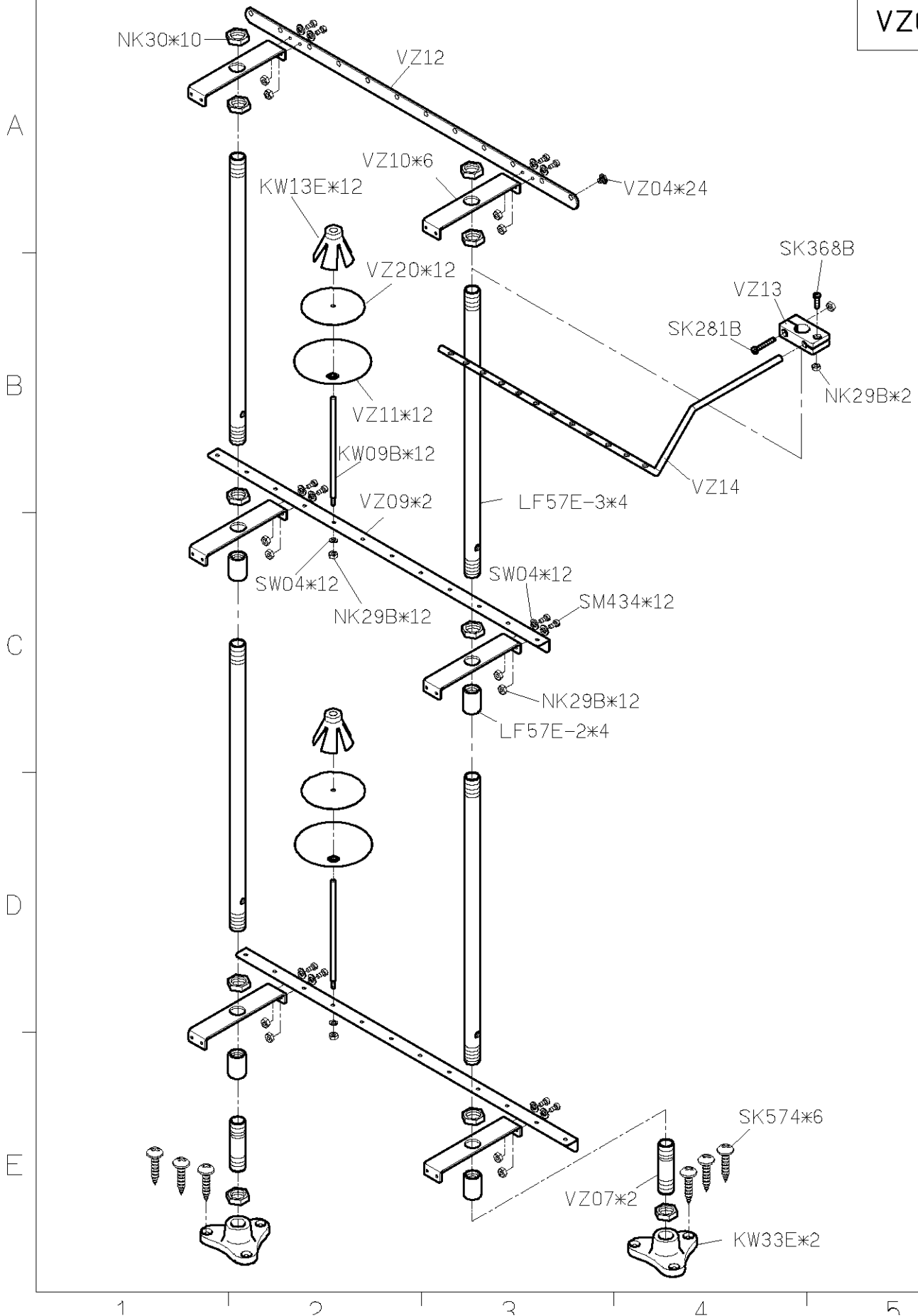
<b>SIRUBA</b> PARTS LIST	<b>F007K/F007KD</b> <b>F858K/F858KD</b>	Parts Group	Subclass / Remark	Page
		<b>FSM-K</b>	For F007K/F858K	4/6
	Date			
	2014/08/05			



<b>SIRUBA</b> <b>PARTS LIST</b>	<b>F007K/F007KD</b> <b>F858K/F858KD</b>	Parts Group	Subclass / Remark	Page
		<b>FSM-K</b>	<b>For F007K/F858K</b>	5/6
				Date
				2013/11/04



VZ07-A





**SIRUBA**

PARTS LIST

Series  
**F007K/F007KD**  
**F858K/F858KD**

Parts Group  
**FSP-K**

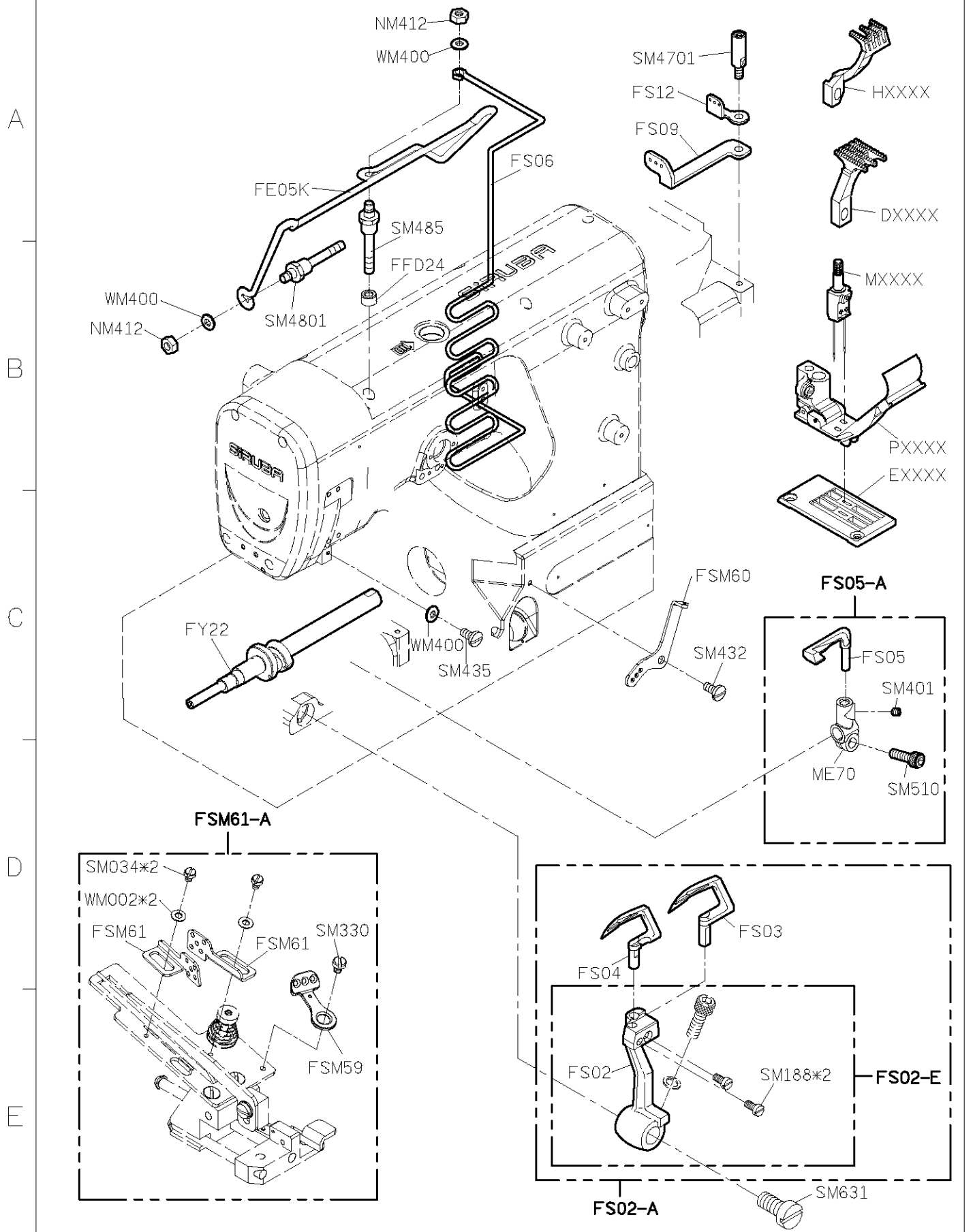
Subclass / Remark

Page

1/1

Date

2012/10/31



**SIRUBA**

PARTS LIST

Series

F007K/F007KD  
F858K/F858KD

Parts Group

**FSR-K**

Subclass / Remark

Page

1/1

Date

2014/05/08

A

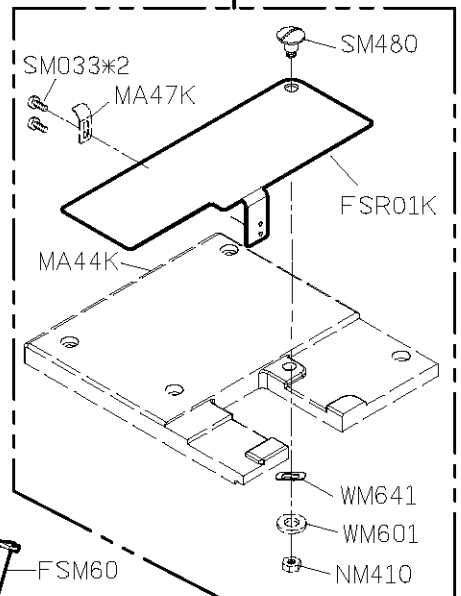
B

C

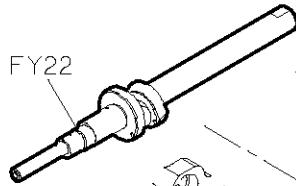
D

E

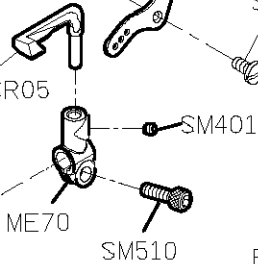
FSR01K-A



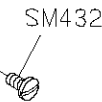
FY22



FSR05



FSM60



SM432



SM401



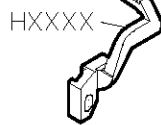
FS03



FS04

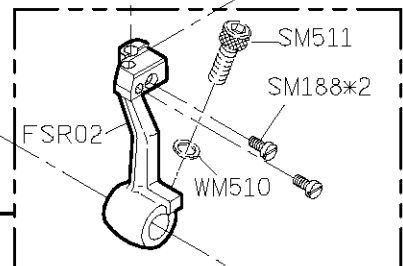


DXXXX

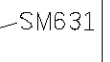


HXXXX

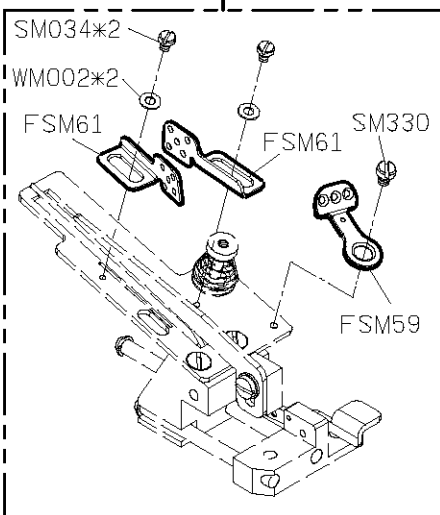
FSR02-E



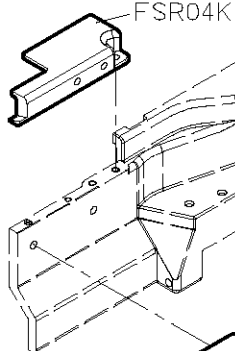
SM631



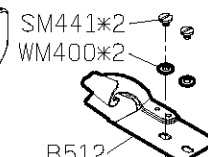
FSM61-A



FSR04K



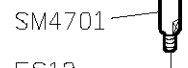
MA21K



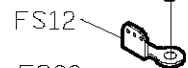
SM441\*2  
WM400\*2

B512

SM4701



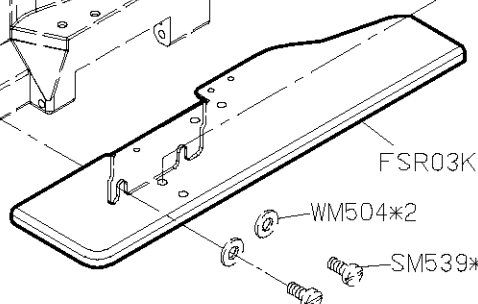
FS12



FS09



FSR03K



WM504\*2



SM539\*2



1

2

3

4

5



**SIRUBA****PARTS LIST**

Series

**F007K/F007KD  
F858K/F858KD**

Parts Group

**FSS**

Subclass / Remark

Page

1/3

Date

2013/06/14

MODEL	4111	496
PARTS NO	FSS01-A	FSS05-A

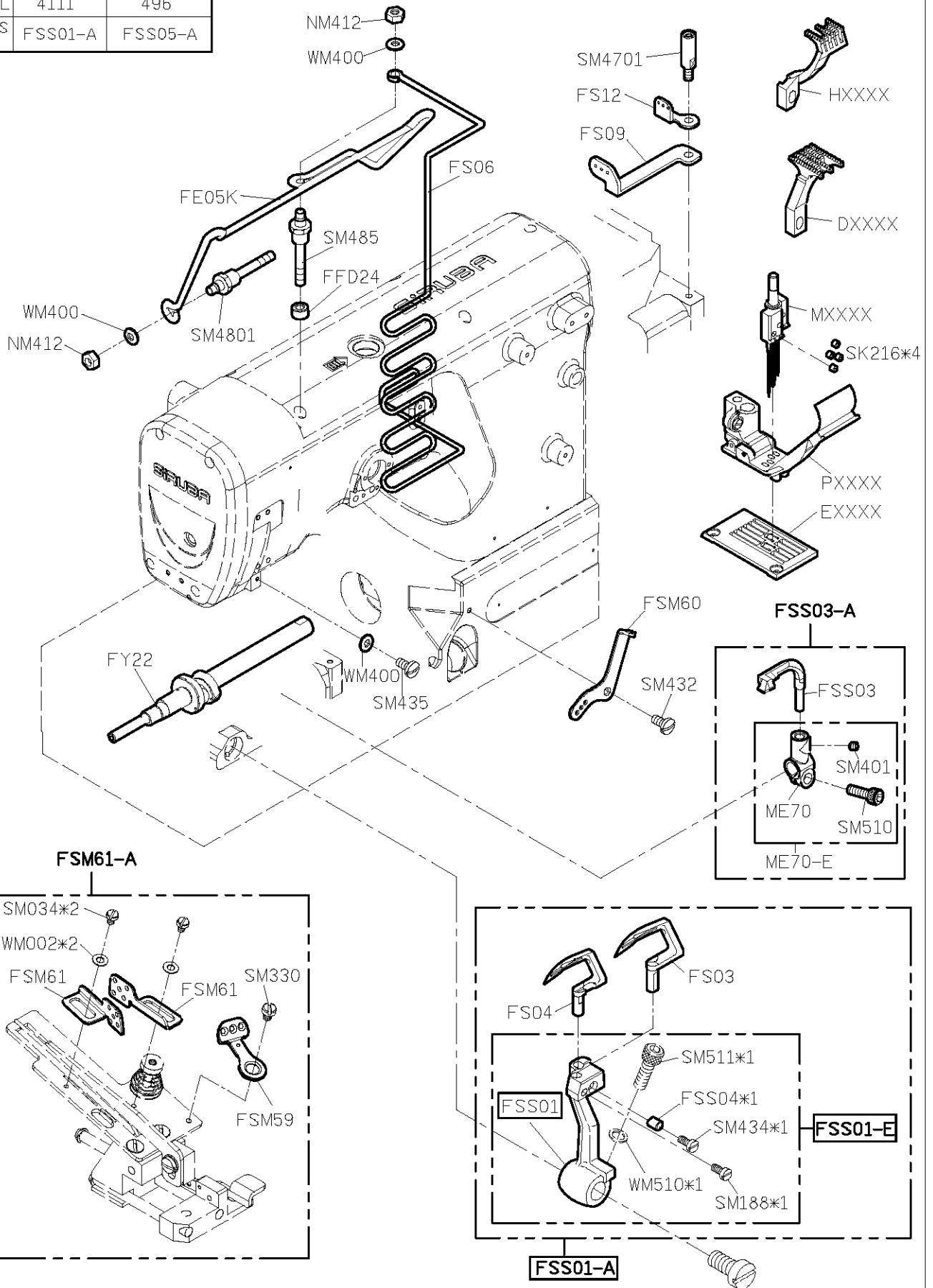
A

B

C

D

E



1

2

3

4

5

**SIRUBA**

PARTS LIST

Series

F007K/F007KD  
F858K/F858KD

Parts Group

**FSS**

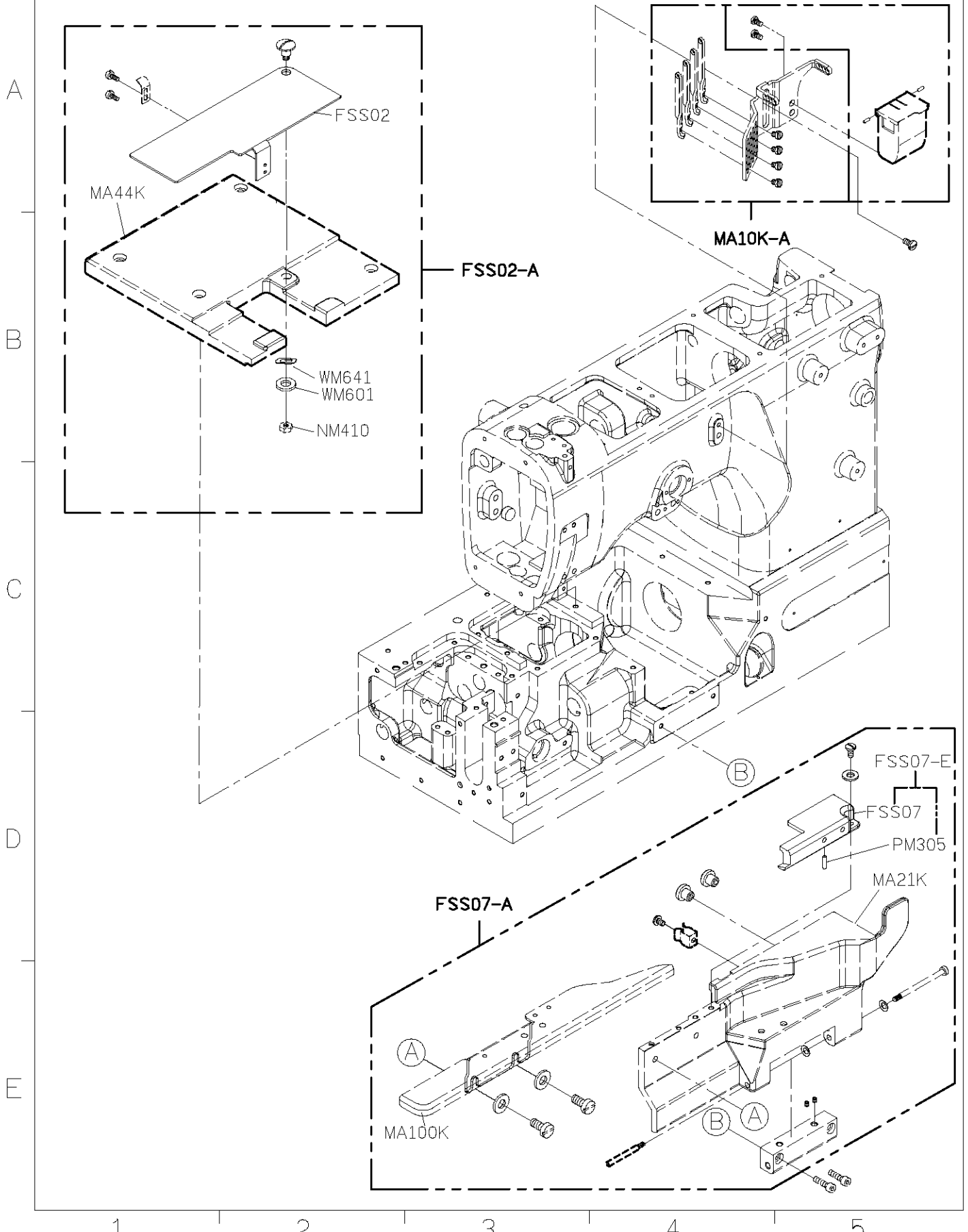
Subclass / Remark

Page

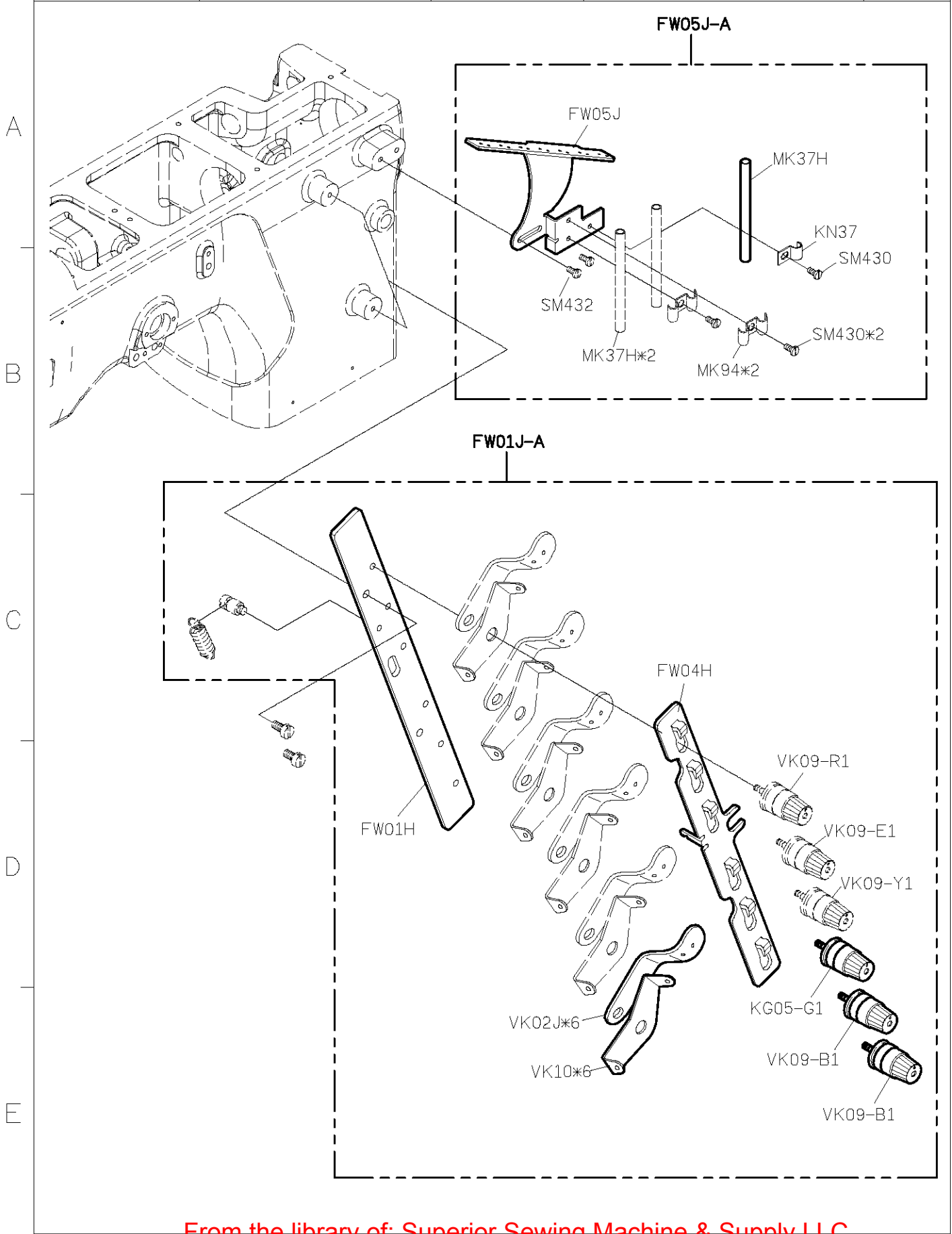
2/3

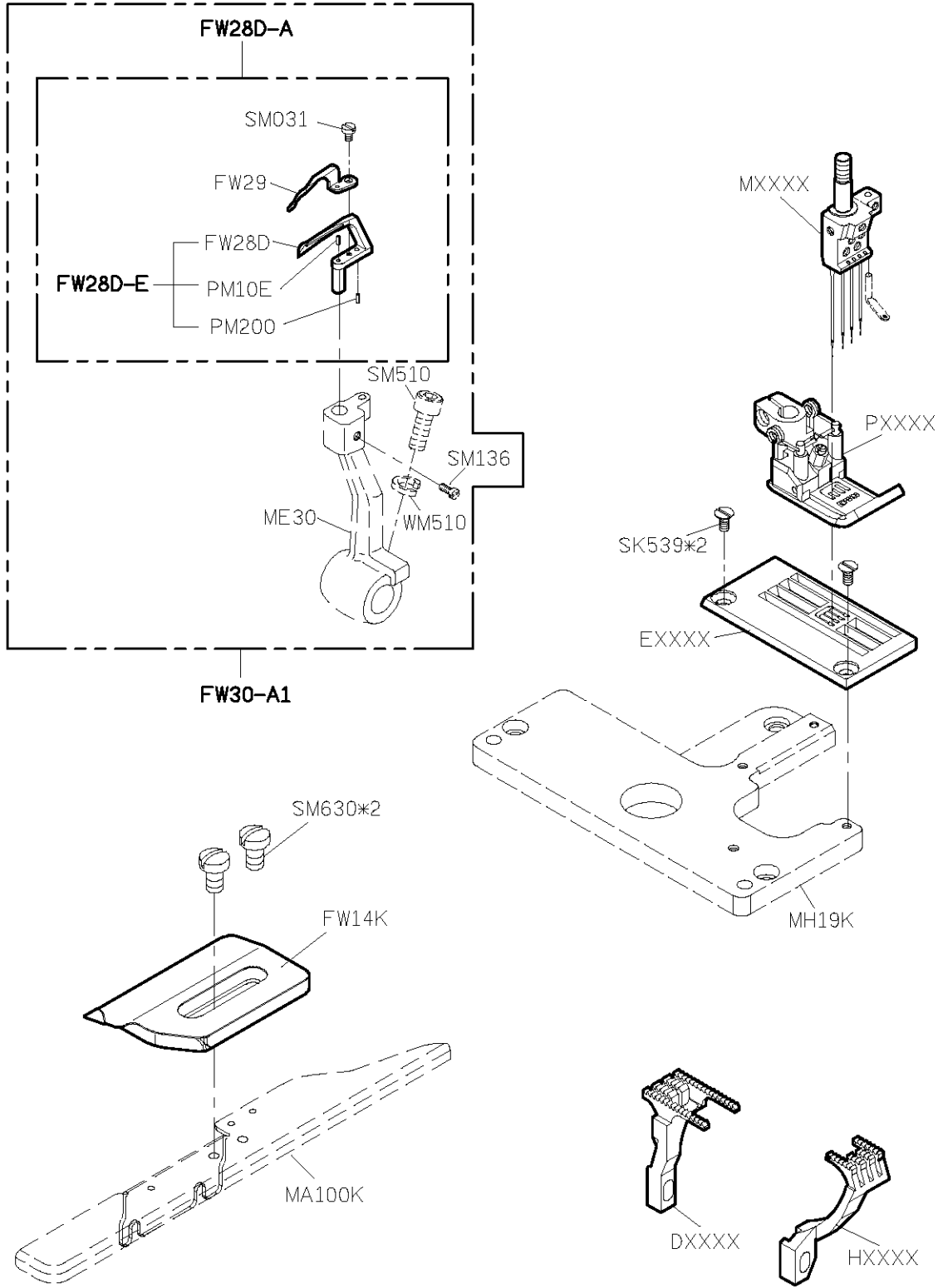
Date

2014/08/25

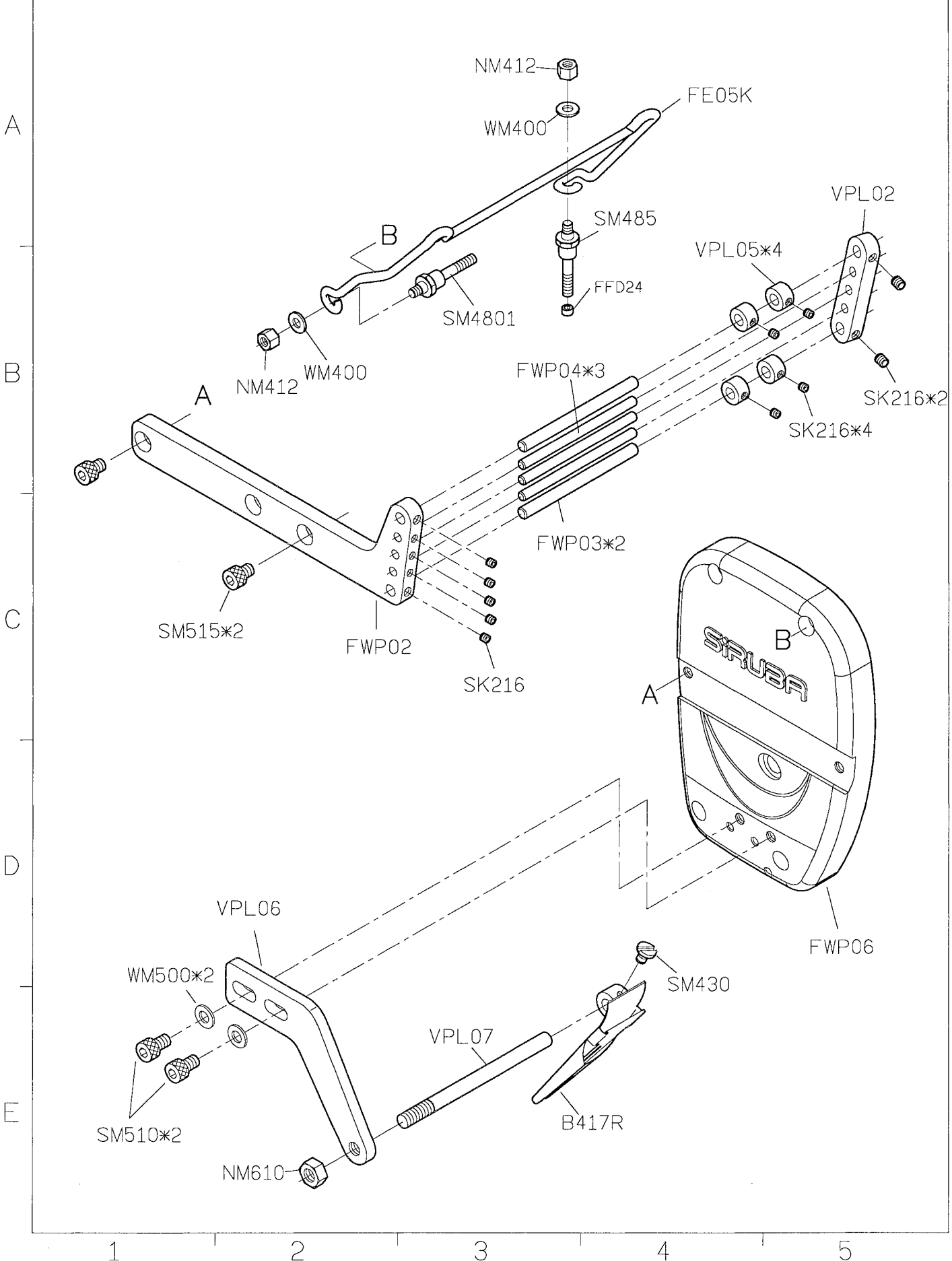


SIRUBA PARTS LIST	Series	Parts Group	Subclass / Remark	Page
	F007K/F007KD	FSS		3/3
	F858K/F858KD			Date
				2014/08/05

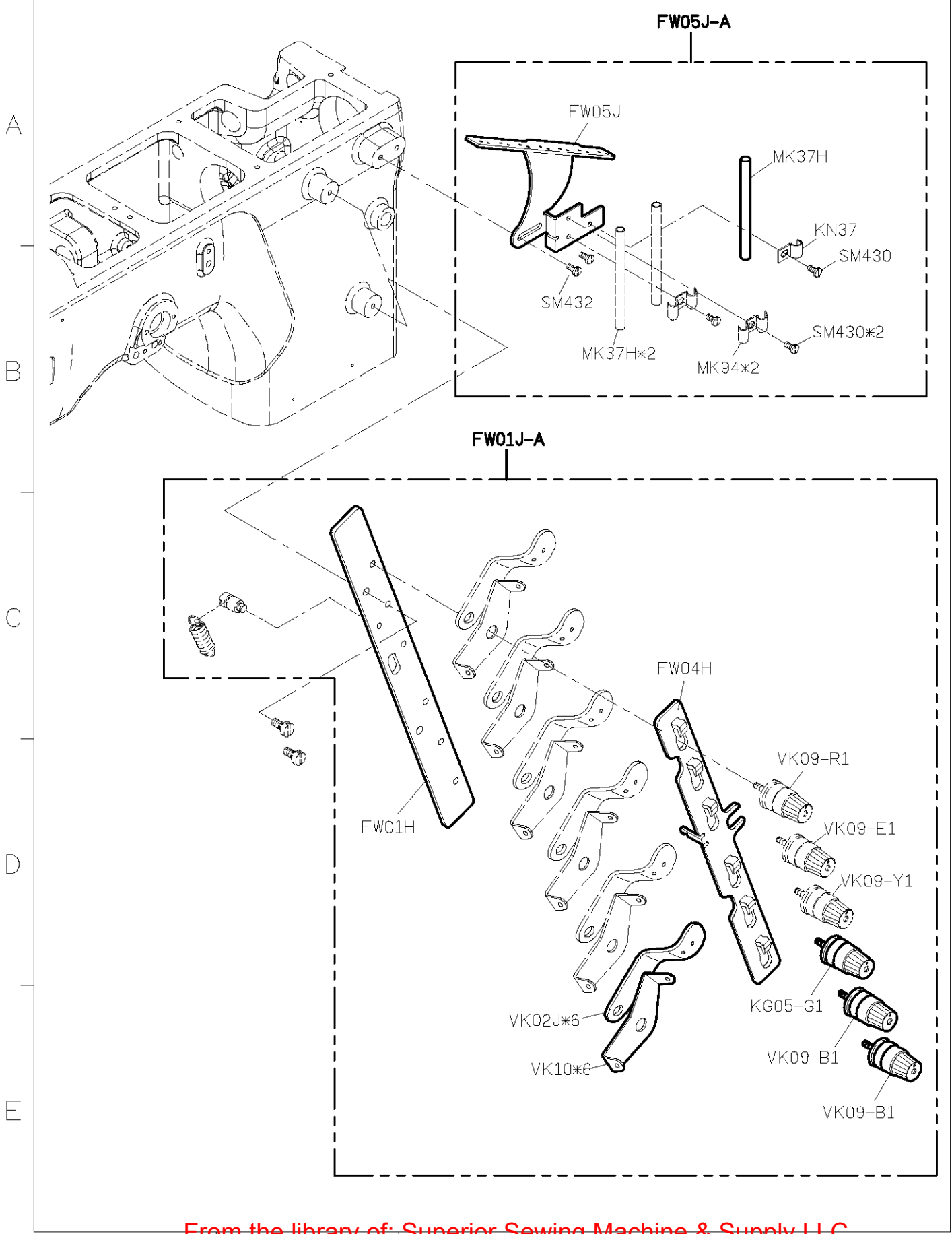




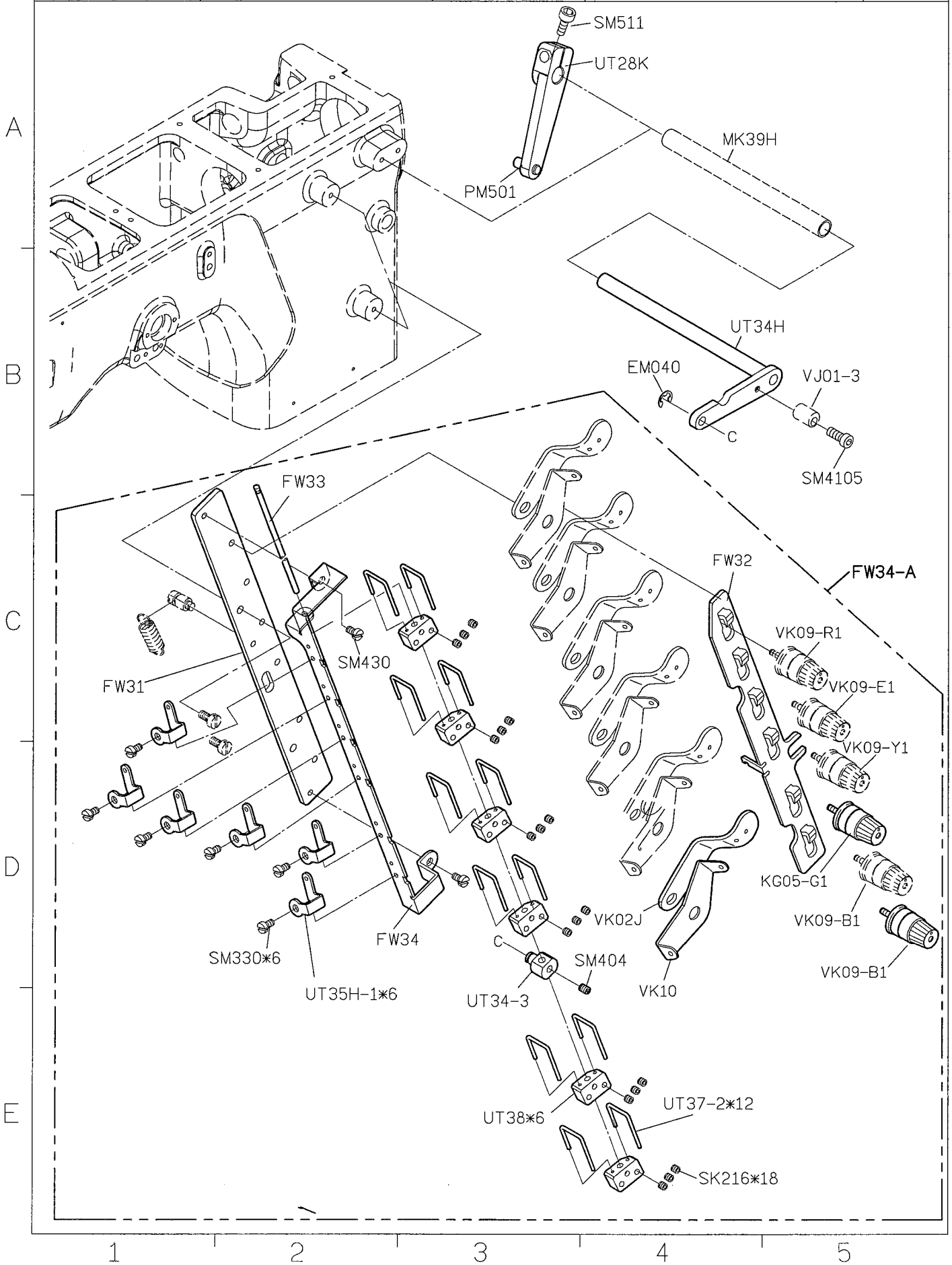
<b>SIRUBA</b> PARTS LIST	F007K/F007KD	Parts Group	Subclass / Remark	Page
	F858K/F858KD	<b>FWP-K</b>		2/5
				Date
				2015/11/26



<b>SIRUBA</b> PARTS LIST	<b>F007K/F007KD</b> <b>F858K/F858KD</b>	Parts Group	Subclass / Remark	Page
		<b>FW(FWP)-K</b>		3/5
			Date	
				2014/08/05



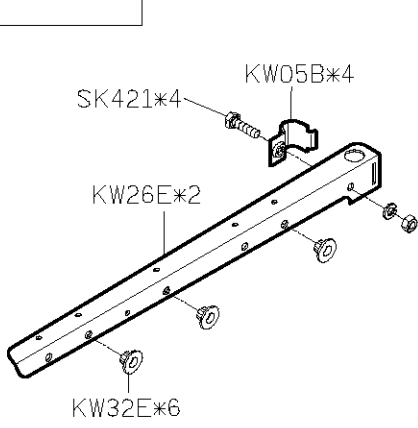
<b>SIRUBA</b> PARTS LIST		Parts Group	Subclass / Remark	Page
	F007K/F007KD	FW(FWP)-K	For UTH	4/5
	F858K/F858KD			Date
				2015/11/25



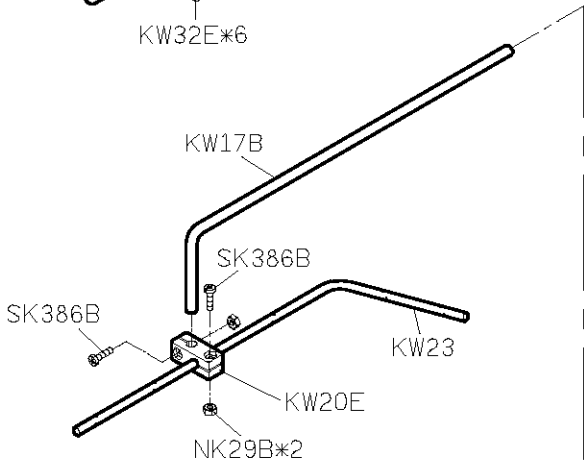
<b>SIRUBA</b> <b>PARTS LIST</b>	<b>F007K/F007KD</b> <b>F858K/F858KD</b>	Parts Group	Subclass / Remark	Page
		FW(FWP)-K		5/5
				2012/10/31

**KW40E-A3**

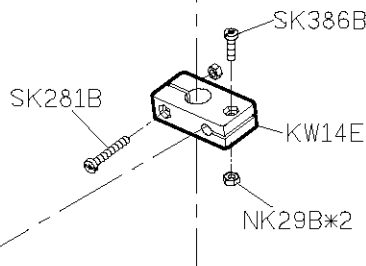
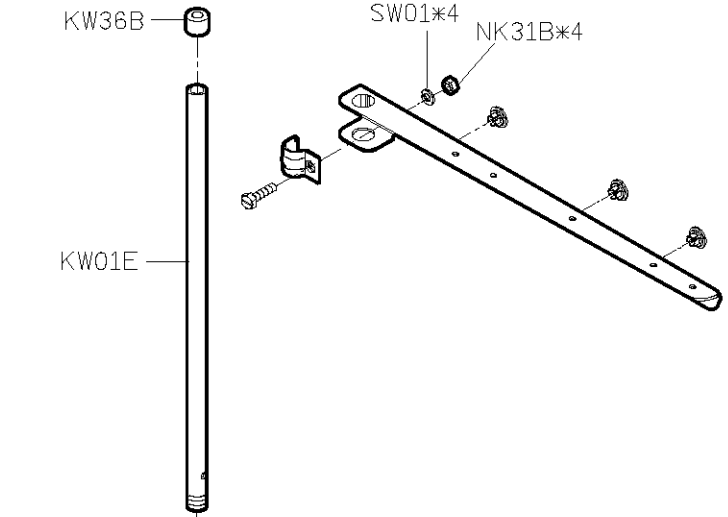
A



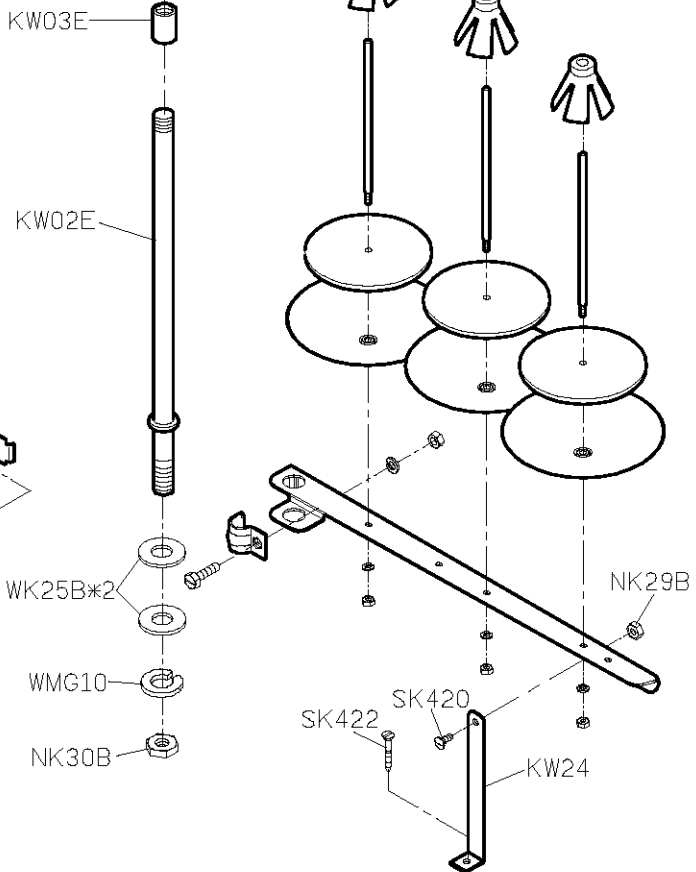
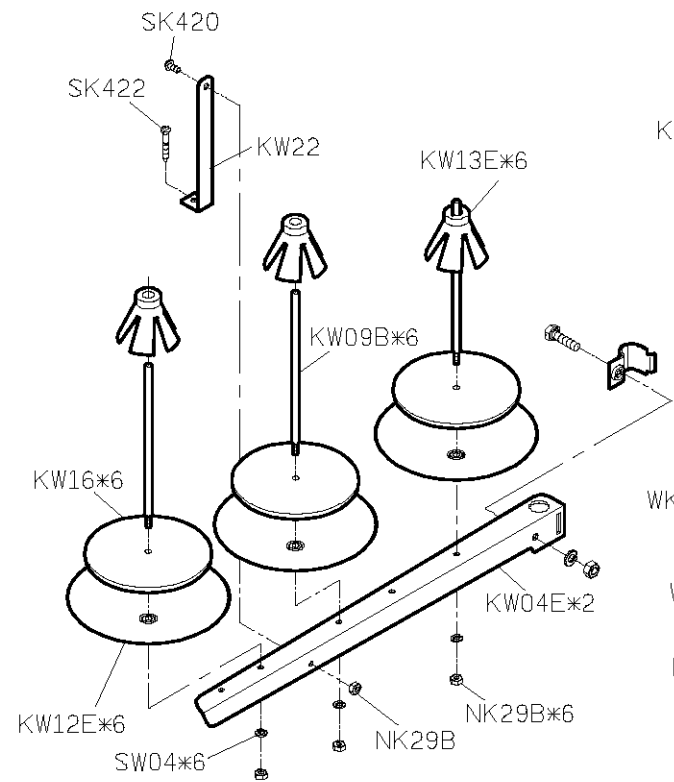
B



C

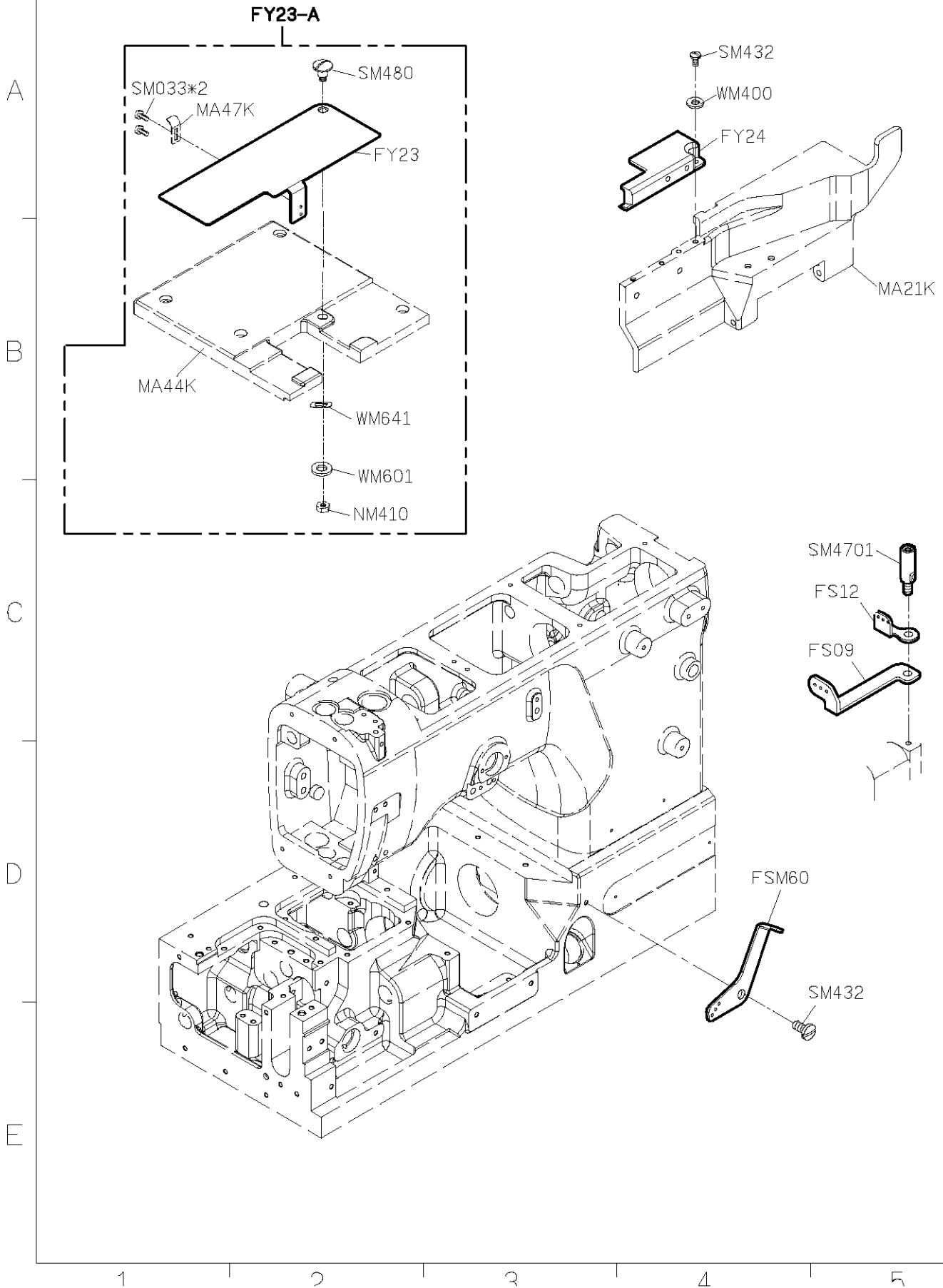


D

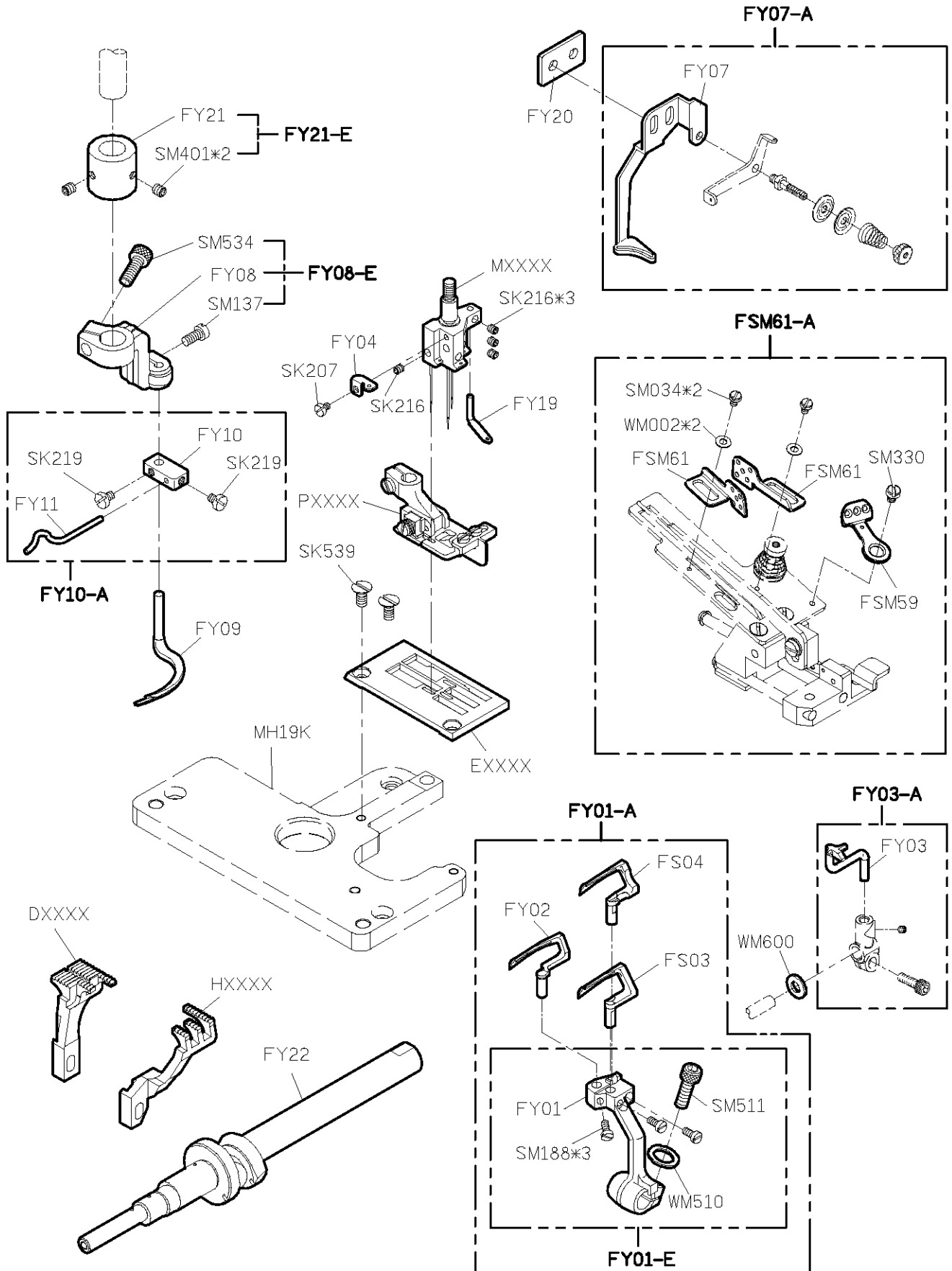


E

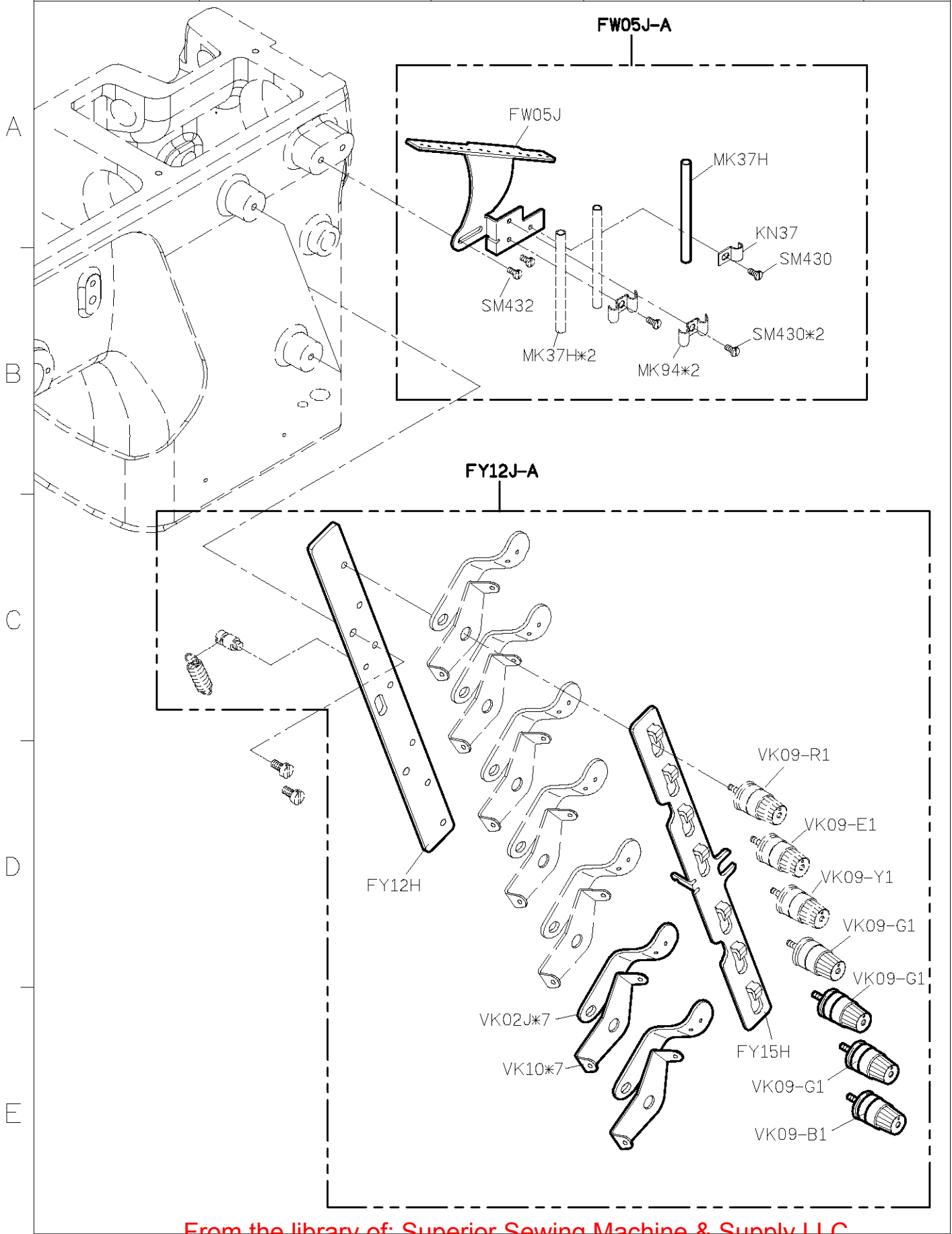




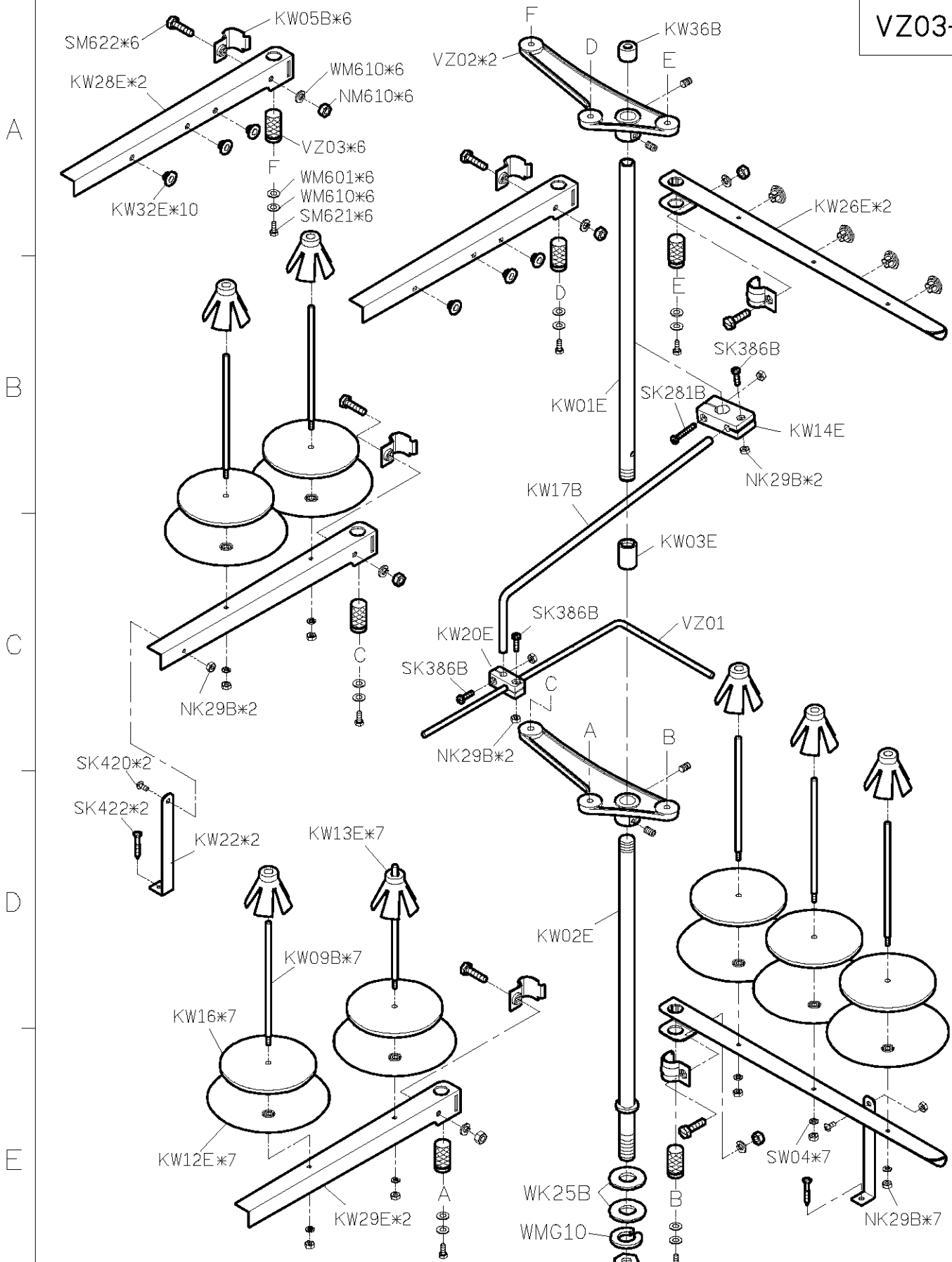
A  
B  
C  
D  
E



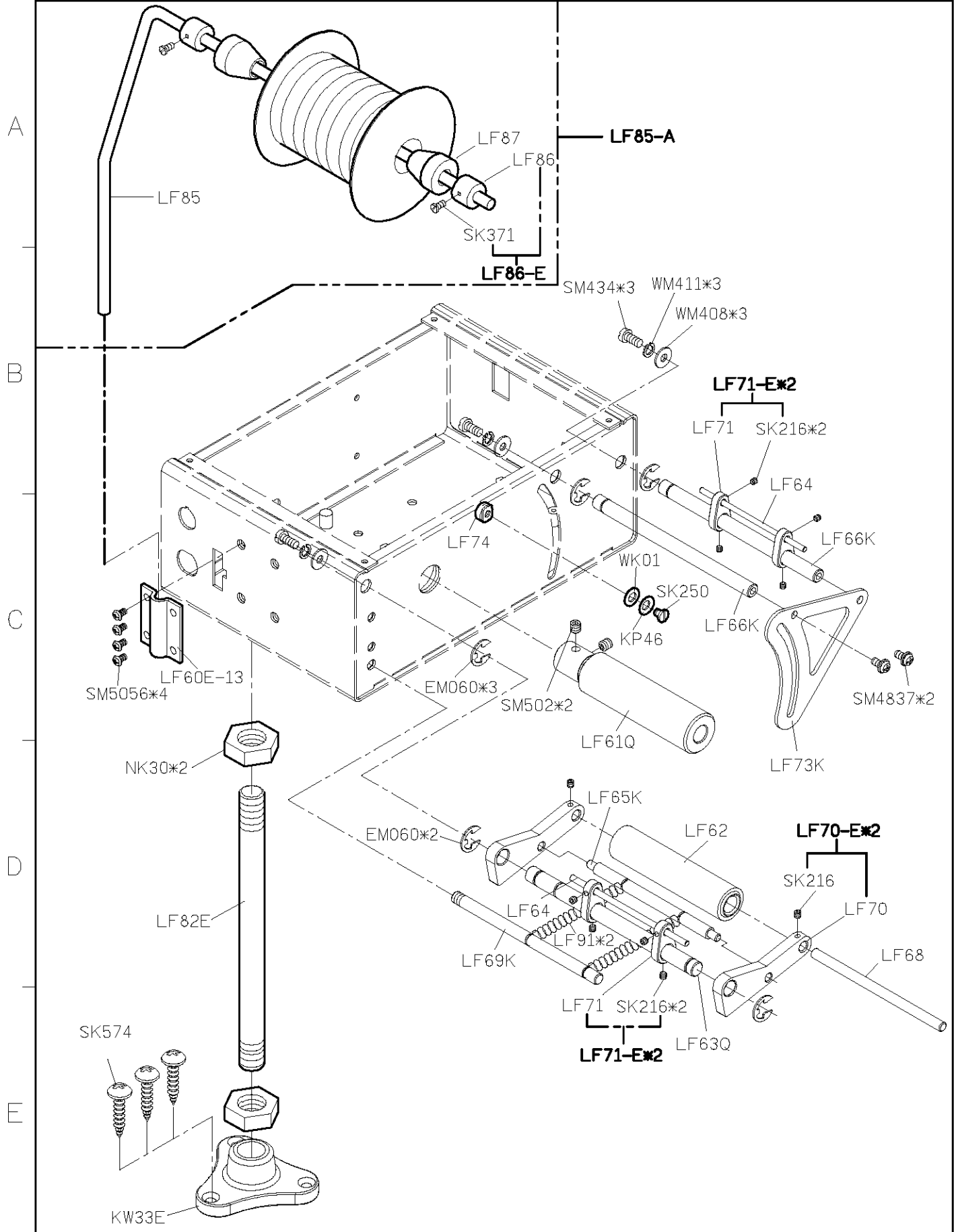
<b>SIRUBA</b> PARTS LIST		Parts Group	Subclass / Remark	Page
	F007K/F007KD	<b>FY-K</b>		3/4
	F858K/F858KD		Date	
			2014/08/05	



VZ03-A



SIRUBA PARTS LIST	Series	Parts Group	Subclass / Remark	Page
	F007K/F007KD	LFA		1/3
	F858K/F858KD			Date
	2013/03/25			



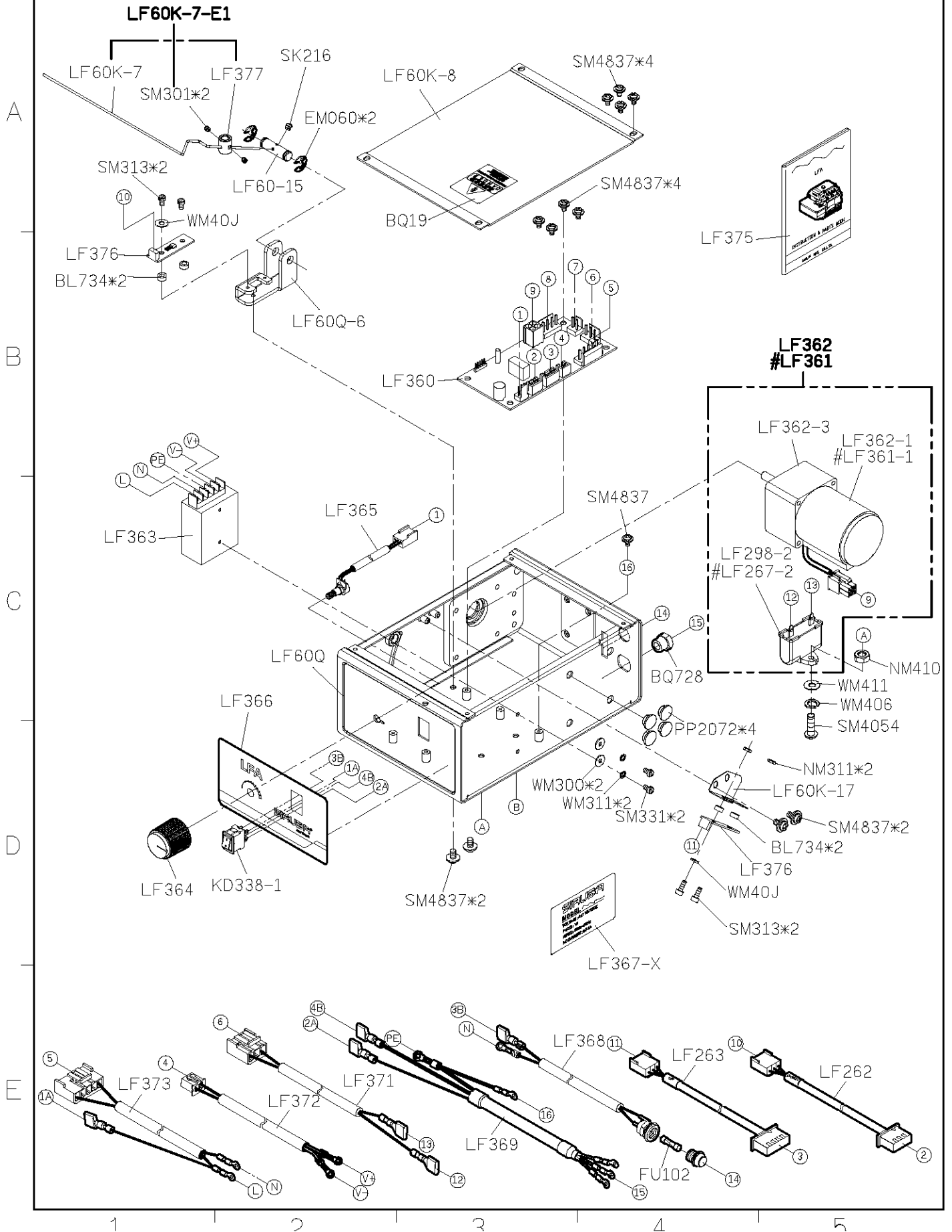
**SIRUBA**  
**PARTS LIST**

**Series**  
F007K/F007KD  
F858K/F858KD

**Parts Group**  
**LFA**

**Subclass / Remark**  
#: Use for 110V

**Page**  
2/3  
**Date**  
2013/07/01



SIRUBA PARTS LIST	Series	Parts Group	Subclass / Remark	Page
	F007K/F007KD	LFA		3/3
	F858K/F858KD			Date
				2013/03/25

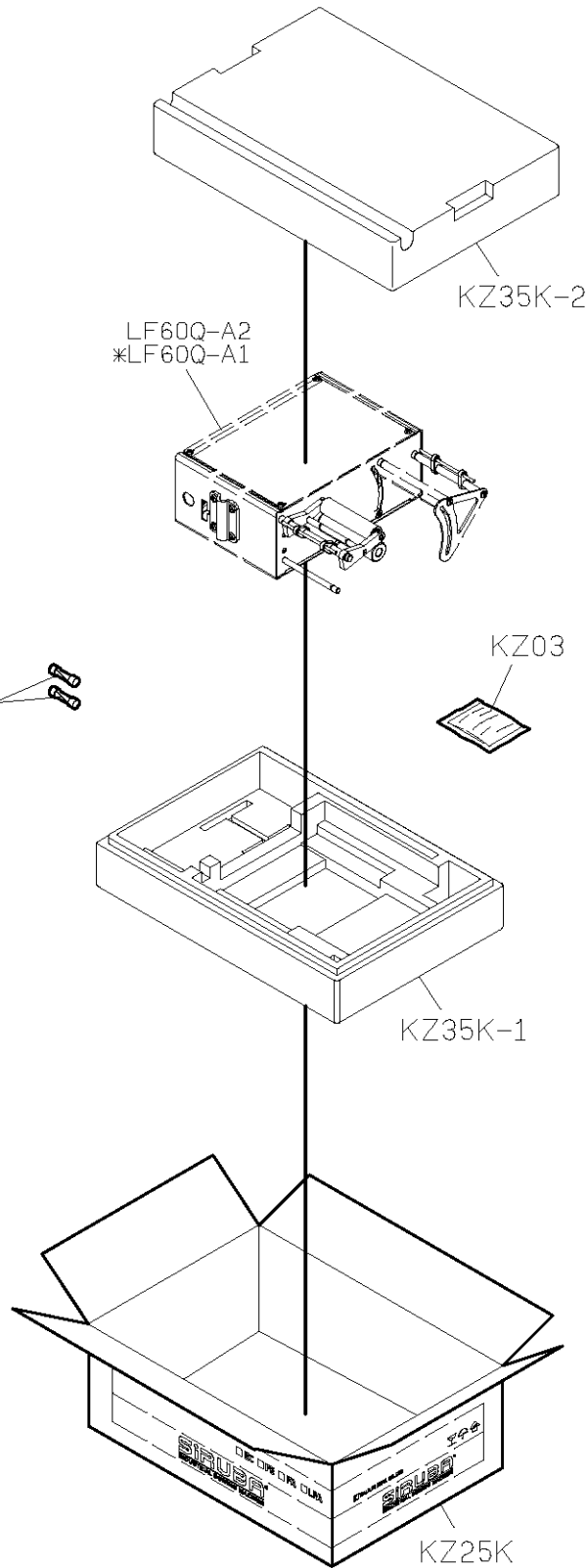
A

B

C

D

E



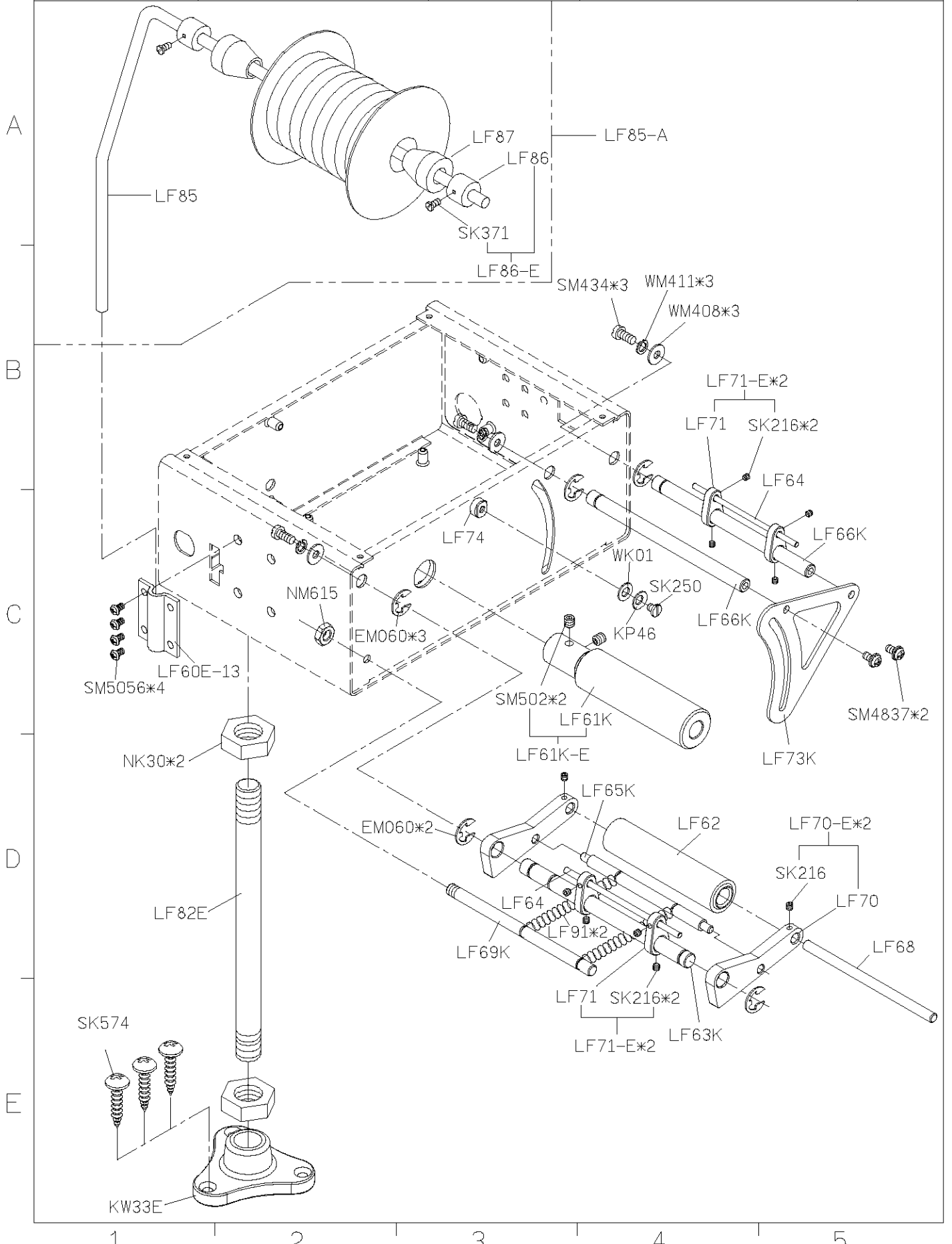
1

2

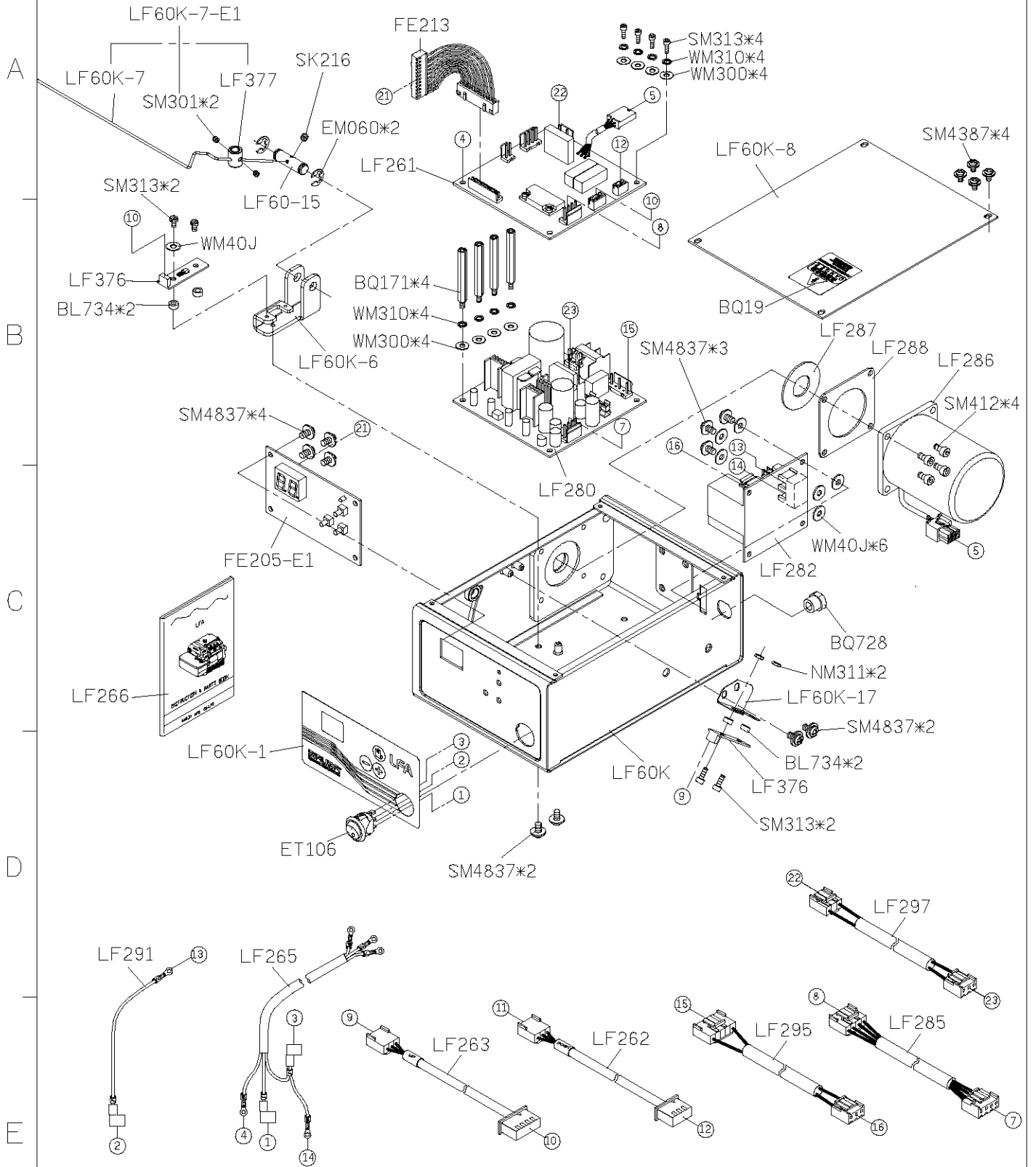
3

4

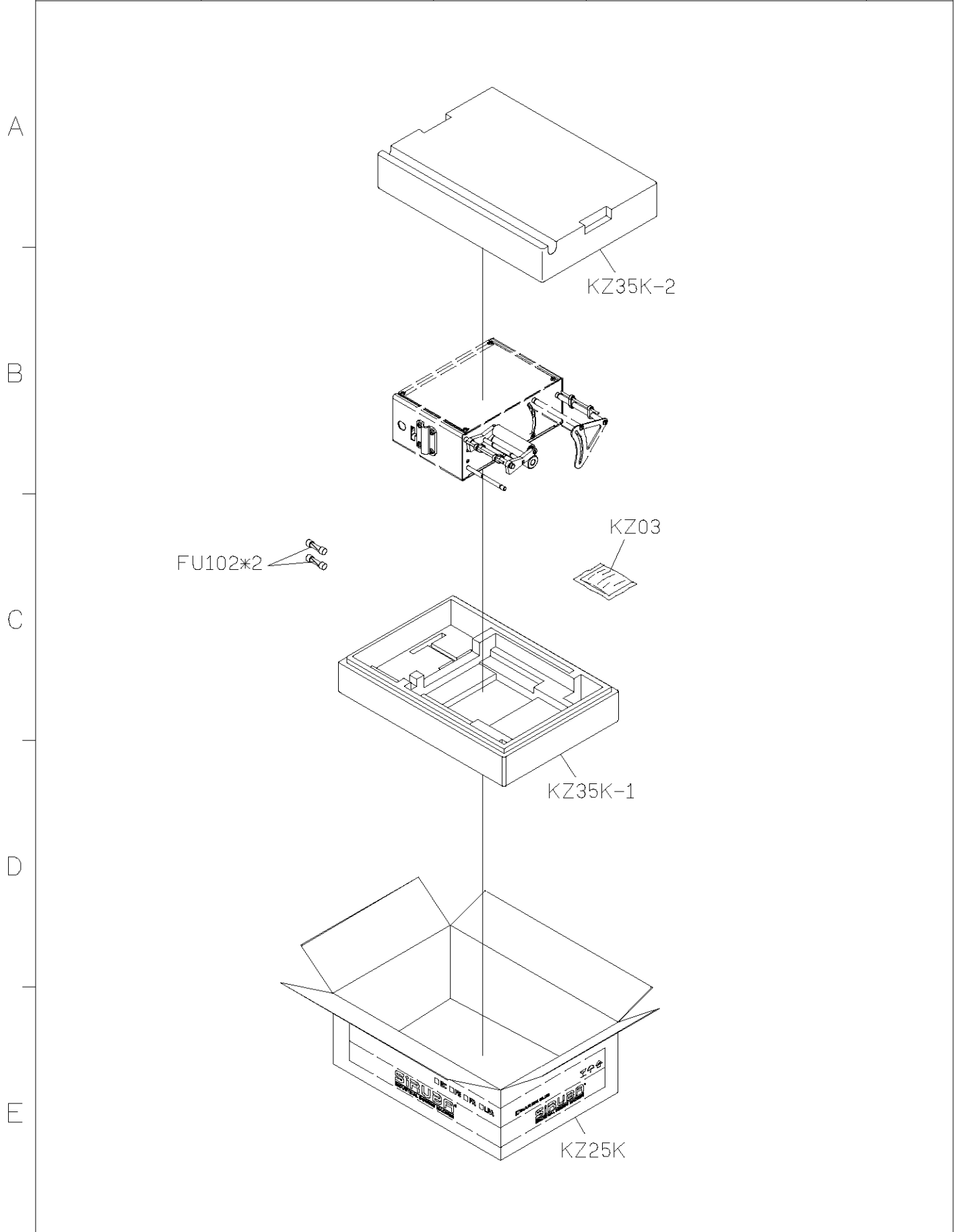
5







<b>SIRUBA</b> PARTS LIST	Series	Parts Group	Subclass / Remark	Page
	F007K/F007KD	<b>LFAK</b>		3/3
	F858K/F858KD			Date
				2013/03/25



UT780-A(1/2)

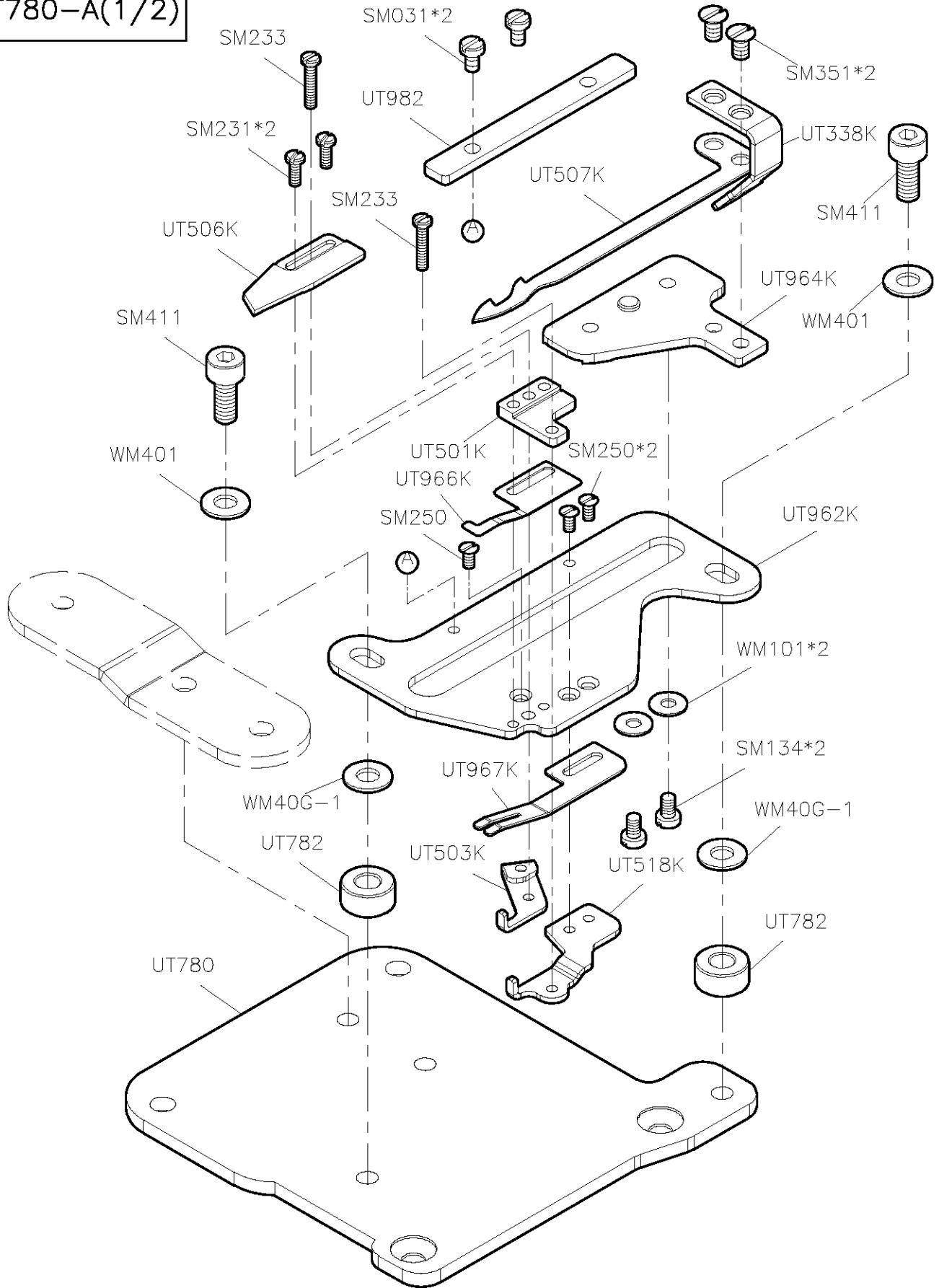
A

B

C

D

E



1

2

3

4

5

**SIRUBA**

PARTS LIST

Series

F007K/F007KD  
F858K/F858KD

Parts Group

UTG(UTH)-K

Subclass / Remark

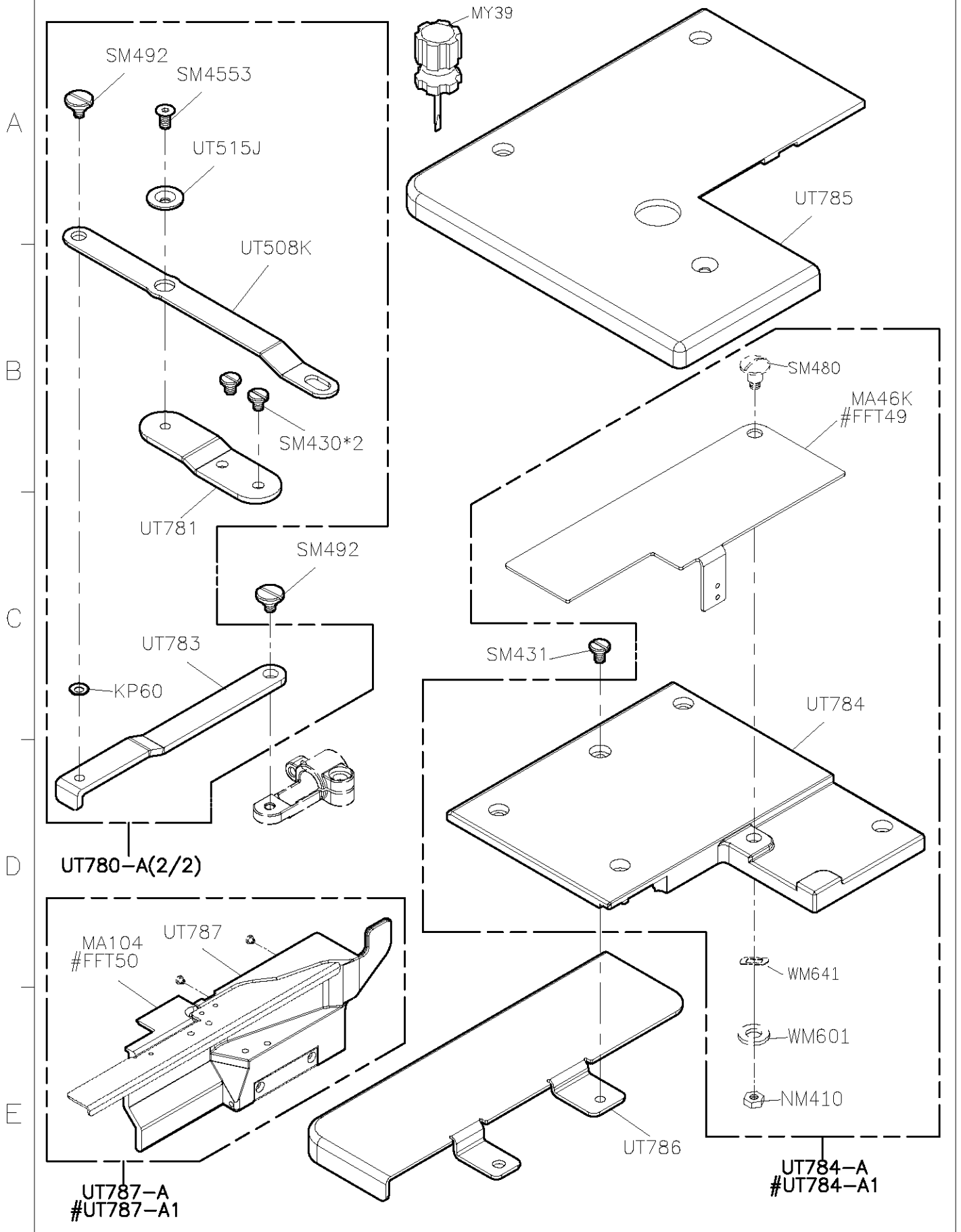
#Use for F007KD/F858KD/FFT

Page

2/12

Date

2015/01/21



**SIRUBA**

PARTS LIST

Series

F007K/F007KD  
F858K/F858KD

Parts Group

UTG(UTH)-K

Subclass / Remark

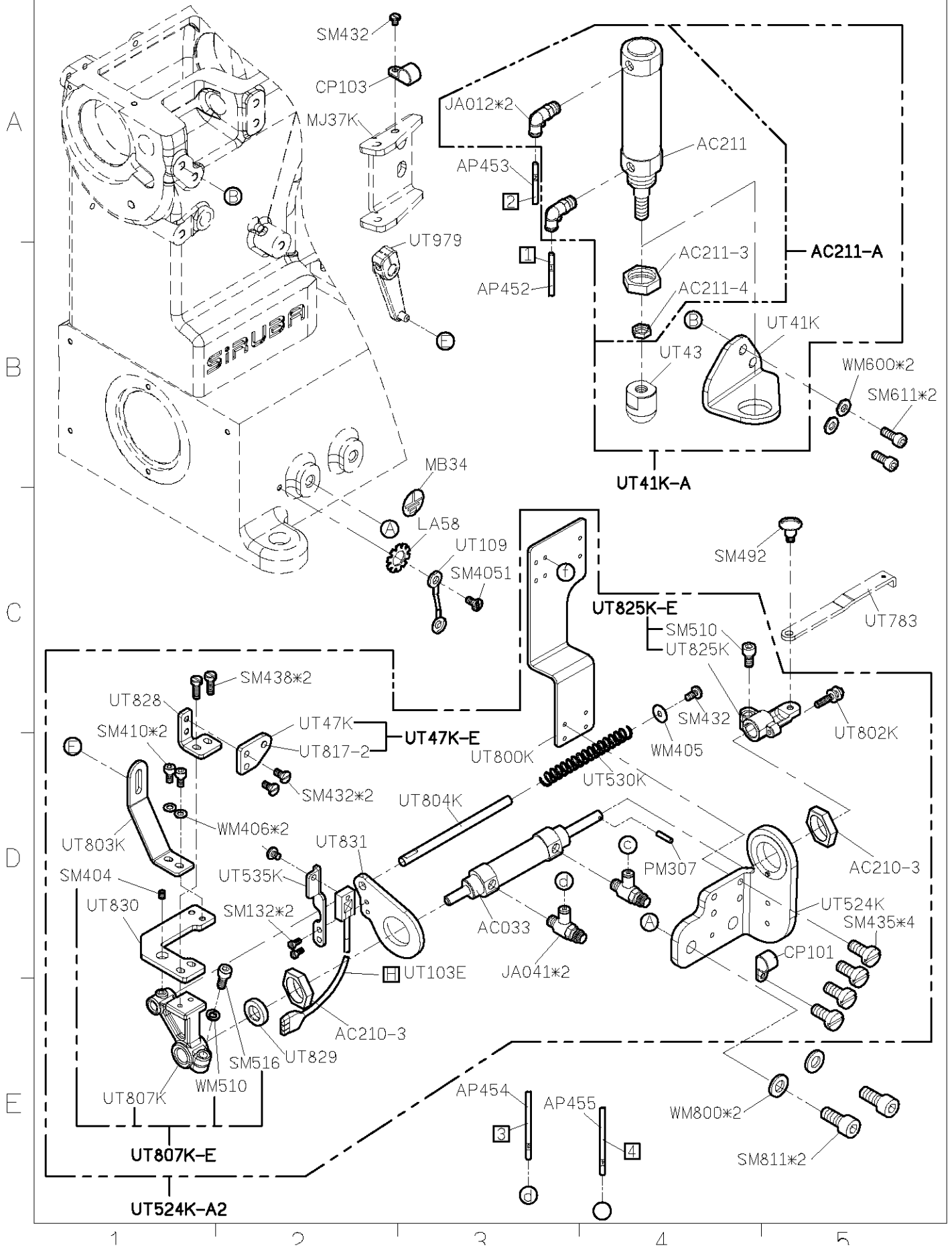
☐ : For H brand motor

Page

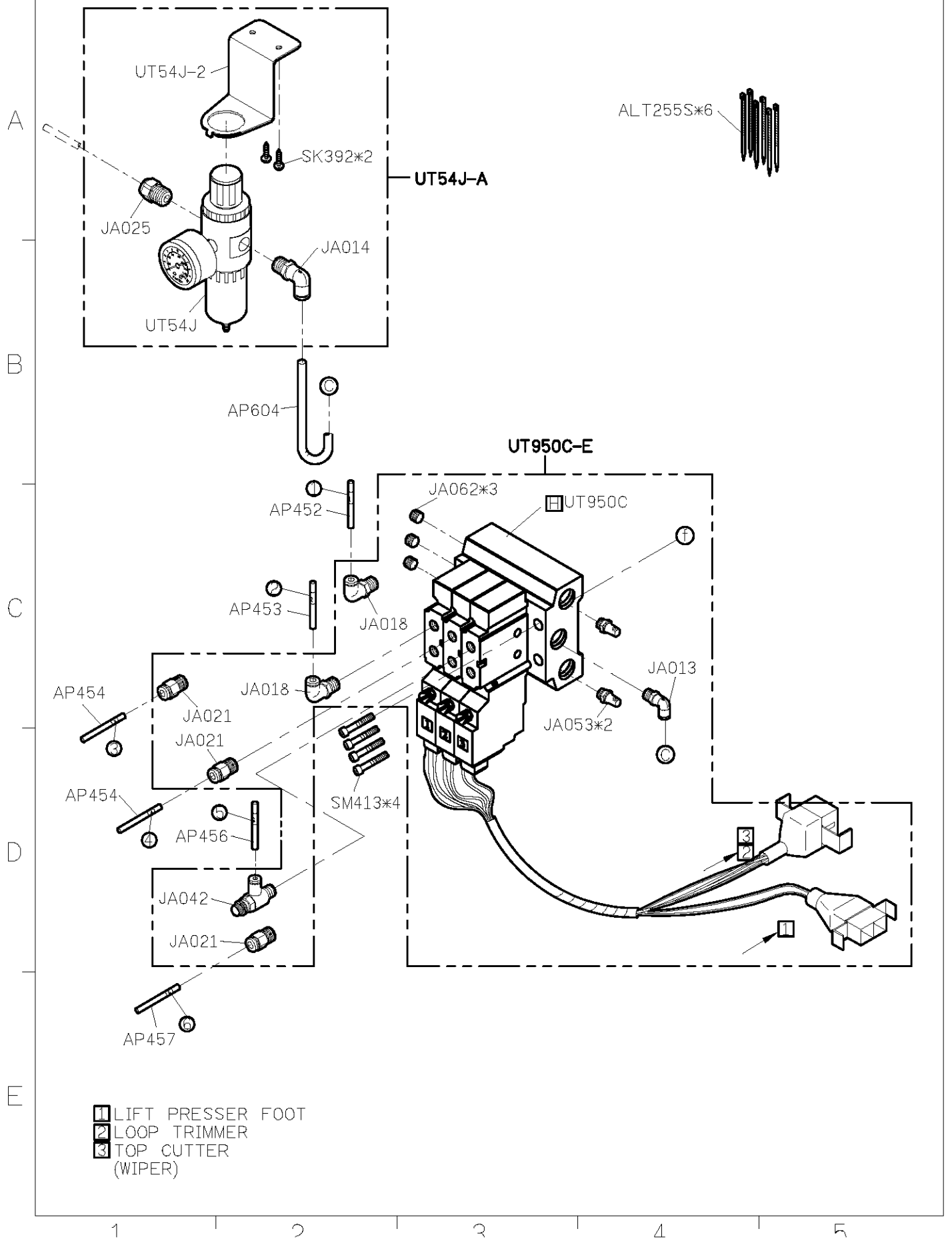
3/12

Date

2015/01/21



SIRUBA PARTS LIST	Series	Parts Group	Subclass / Remark	Page
	F007K/F007KD	UTQ(UTH)-K	☐ : For H brand motor	4/12
	F858K/F858KD			Date
				2013/08/08



SIRUBA PARTS LIST	Series	Parts Group	Subclass / Remark	Page
	F007K/F007KD	UTG(UTH)-K	For F007K/F858K	5/12
	F858K/F858KD			Date
				2013/08/06

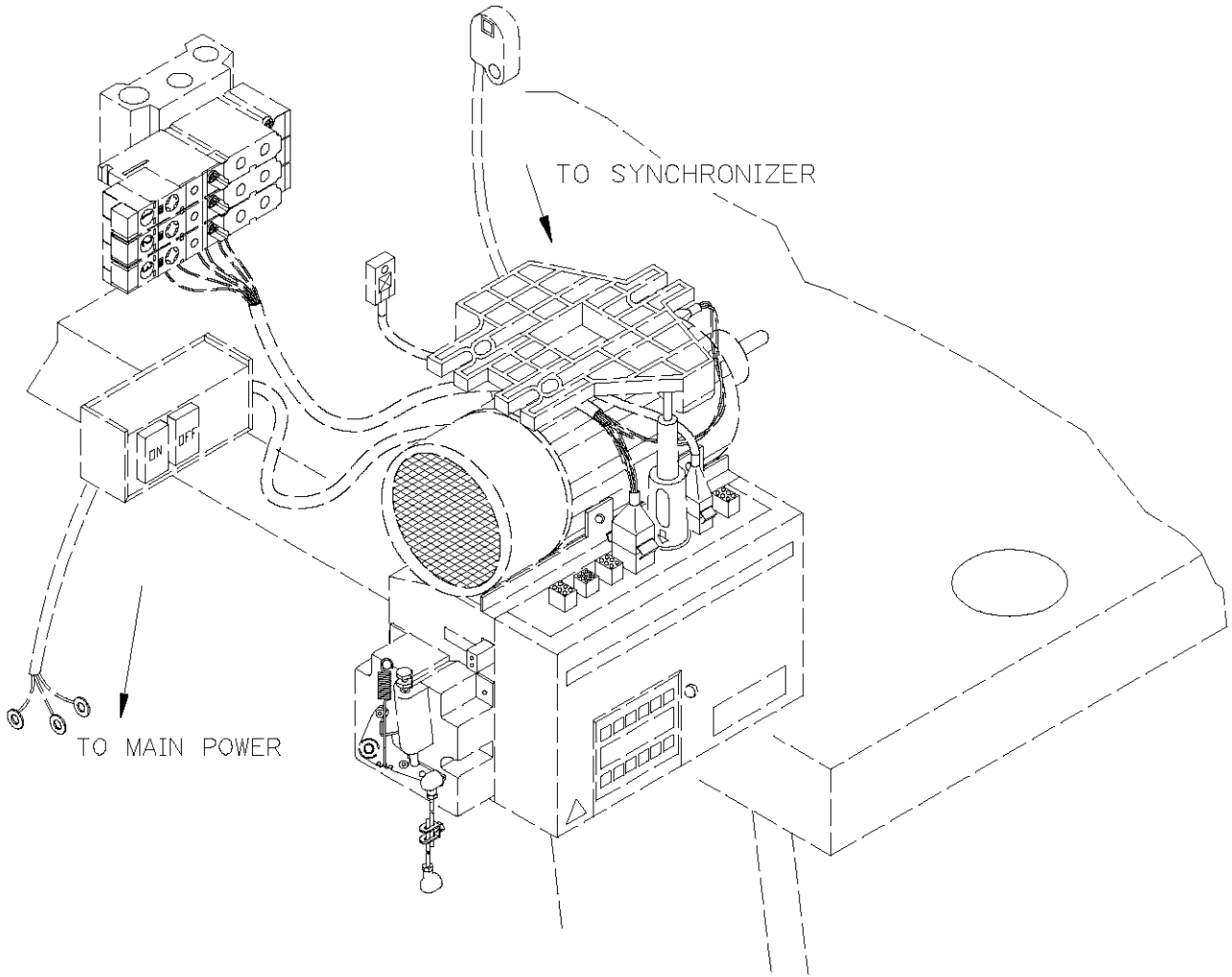
A

B

C

D

E



1

2

3

4

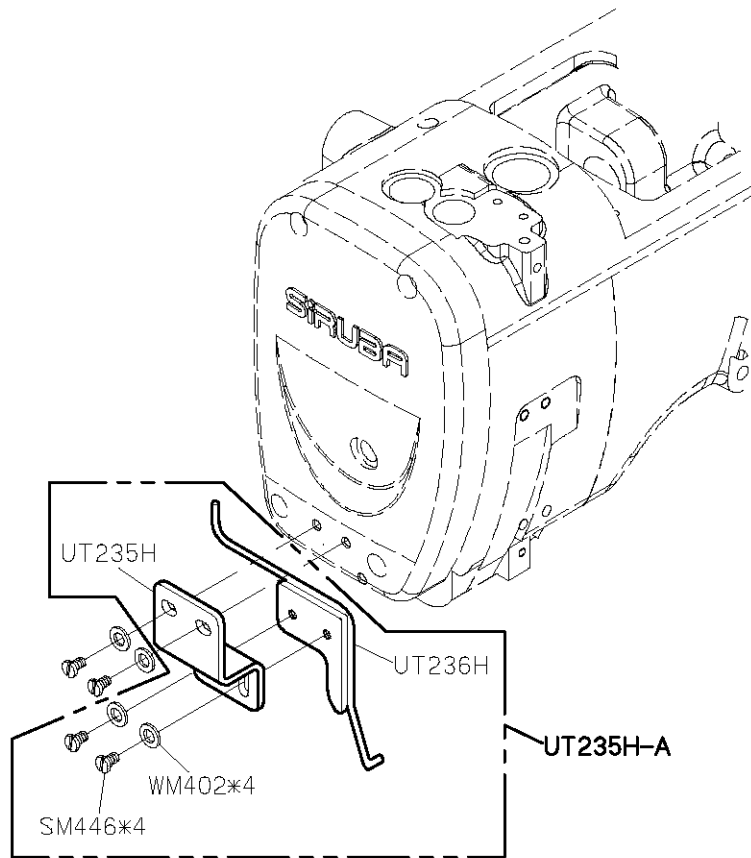
5





<b>SIRUBA</b> PARTS LIST	<b>Series</b>	<b>Parts Group</b>	<b>Subclass / Remark</b>	<b>Page</b>
	<b>F007K/F007KD</b>	<b>UTH-K</b>		<b>7/12</b>
	<b>F858K/F858KD</b>			<b>Date</b>
				<b>2013/08/08</b>

FOR LEFT SIDE



**SIRUBA**

PARTS LIST

Series

F007K/F007KD  
F858K/F858KD

Parts Group

**UTH-K1**

Subclass / Remark

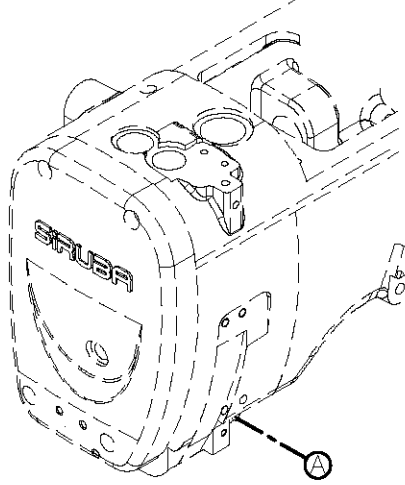
For allocation

Page

8/12

Date

2015/01/05



WP51-A1

AC027-E

JA011\*2

AC027

WP51-A

SM418\*2

WP51

NM410

WP42

WP41K

SM130

WM810

NM810

NM410

NM410

SM330

WM301

SM030

UT564

WP58

SM4553B\*2

SM4306

WP32

WP56

WM402\*2

SM410\*2

SM410\*2

SM410\*2

SM410\*2

SM410\*2

SM410\*2

SM410\*2

SM410\*2

NM410

WP54

NM410

WP34K

WP53

SM4812

BC715

WP36

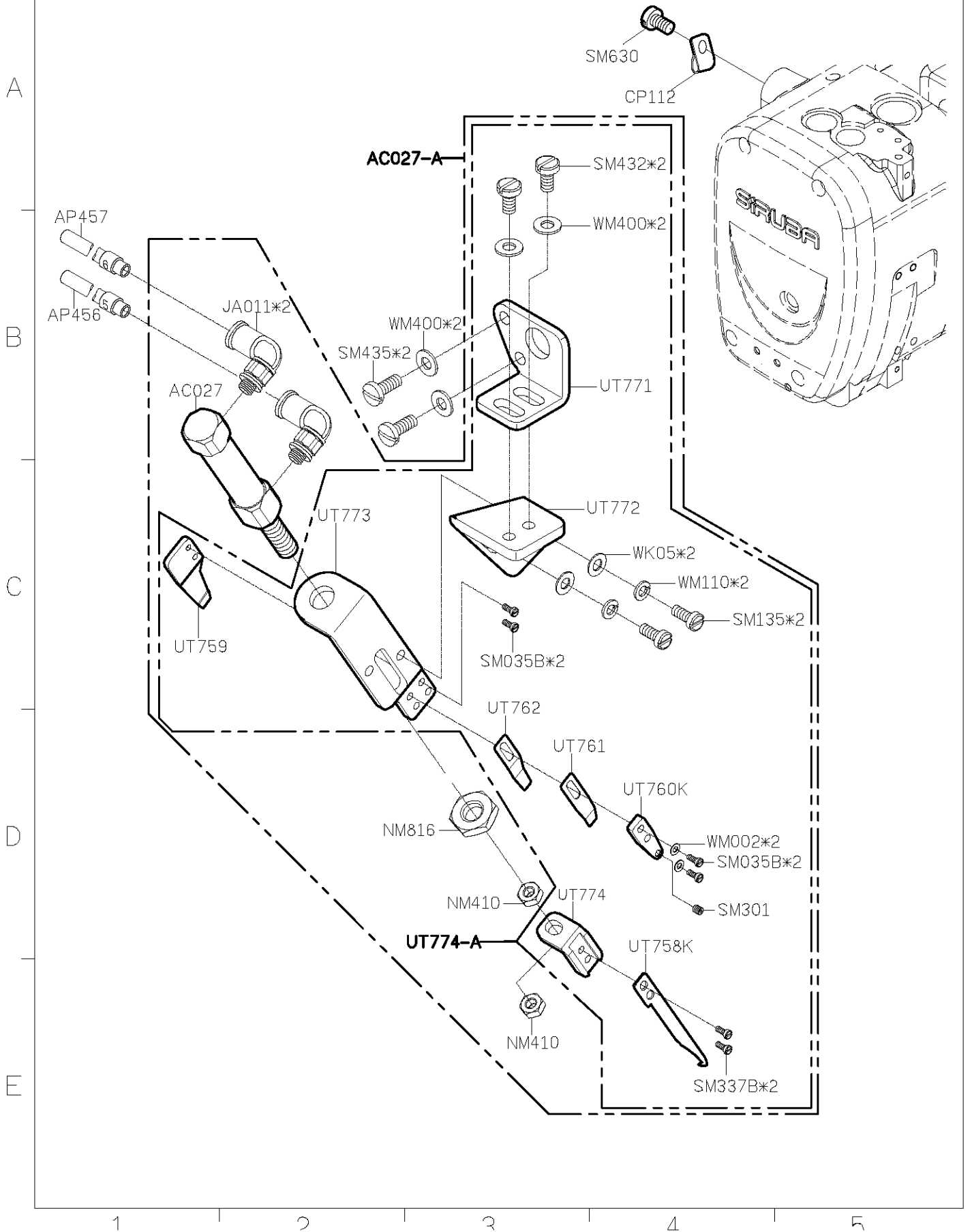
1

2

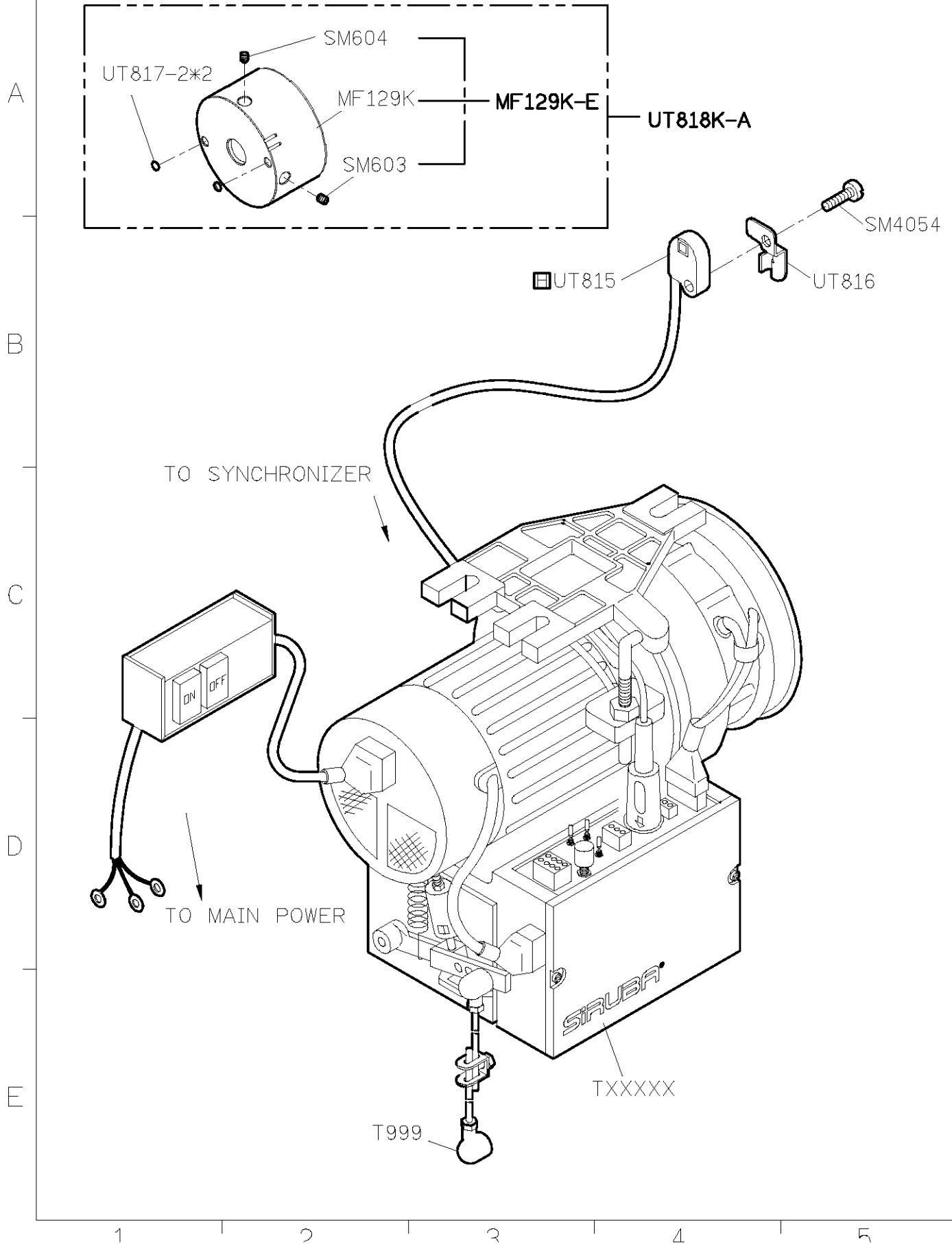
3

4

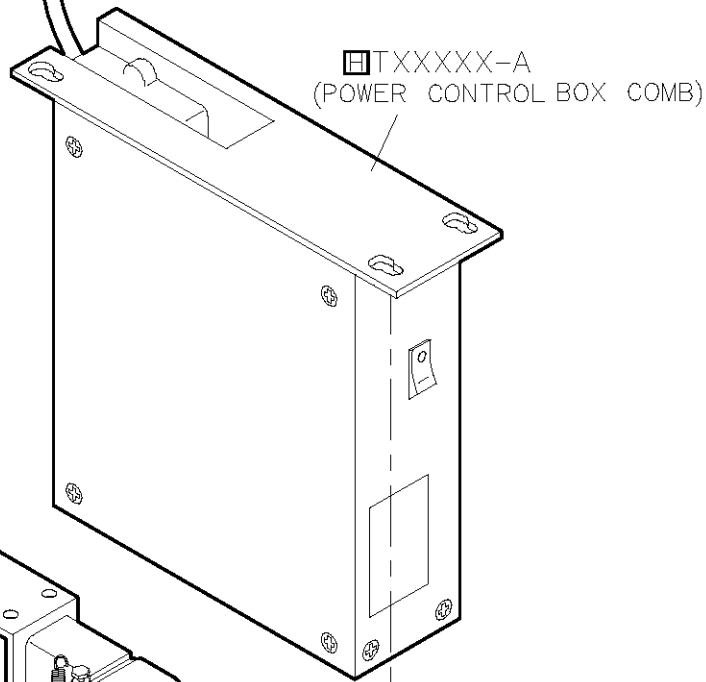
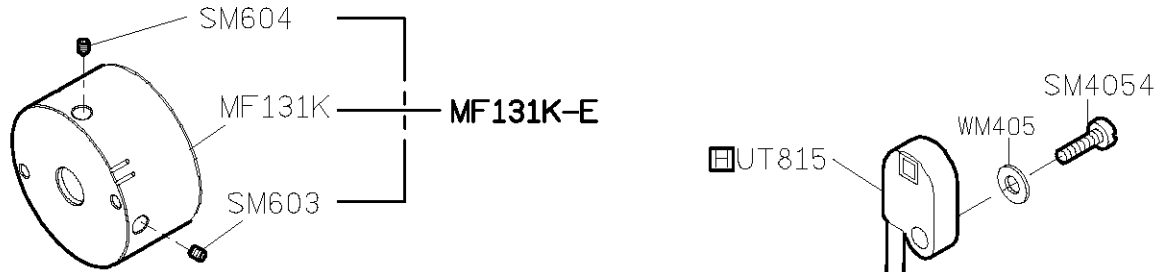
5



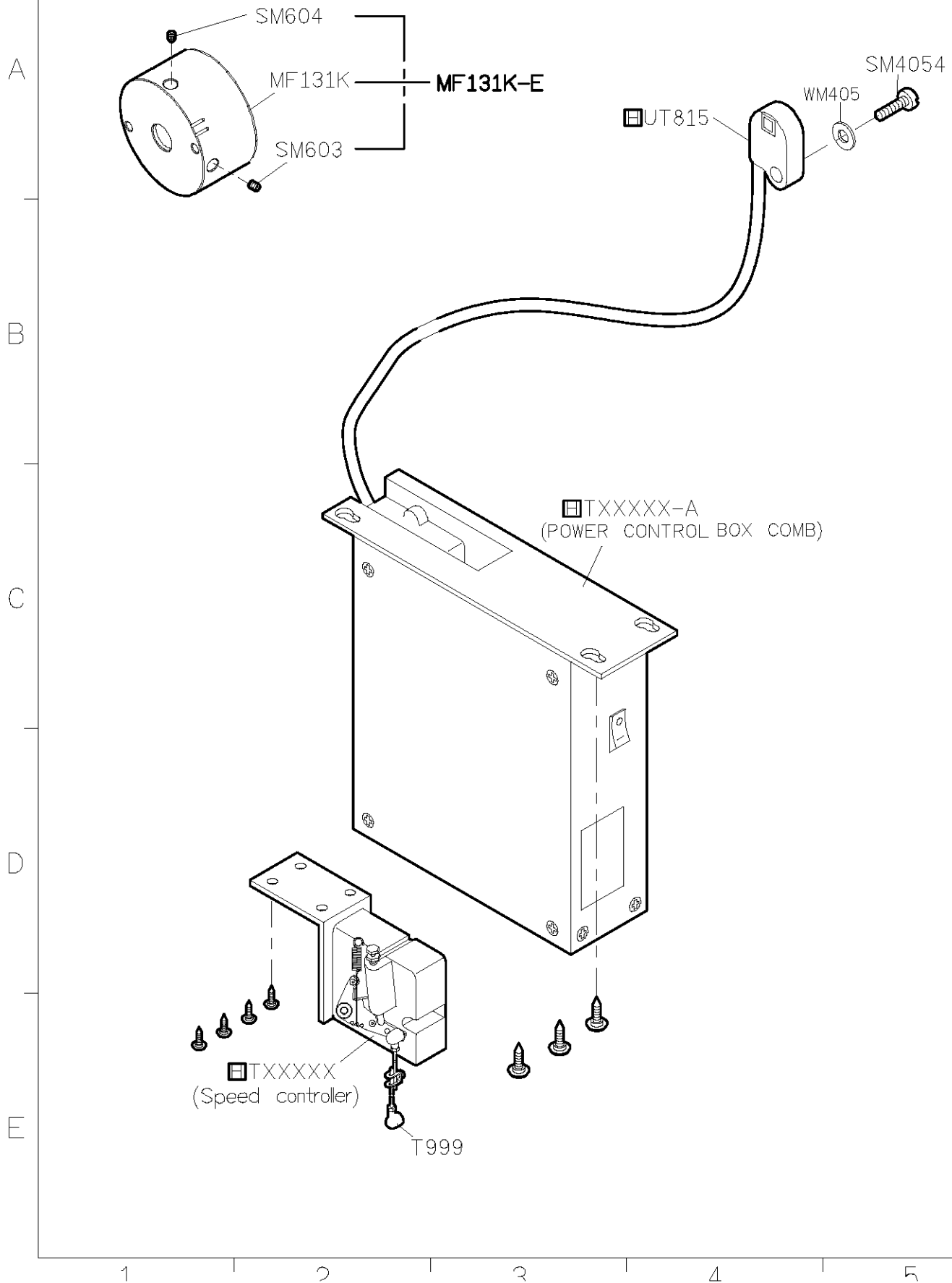
SIRUBA PARTS LIST	Series	Parts Group	Subclass / Remark	Page
	F007K/F007KD F858K/F858KD	UTQ(UTH)-K	For F007K/F858K ☐ : For H brand motor	10/12 Date 2013/08/08



SIRUBA PARTS LIST	Series	Parts Group	Subclass / Remark	Page
	F007K/F007KD F858K/F858KD	UTG(UTH)-K	For F007KD/F858KD ☐ For H brand motor(HVP-70)	11/11 Date
				2012/10/31



SIRUBA PARTS LIST	Series	Parts Group	Subclass / Remark	Page
	F007K/F007KD	UTG(UTH)-K	For F007KD/F858KD	12/12
	F858K/F858KD		☐ For H brand motor(HVP-70)	Date
				2013/08/06





**UT780-A(1/2)**

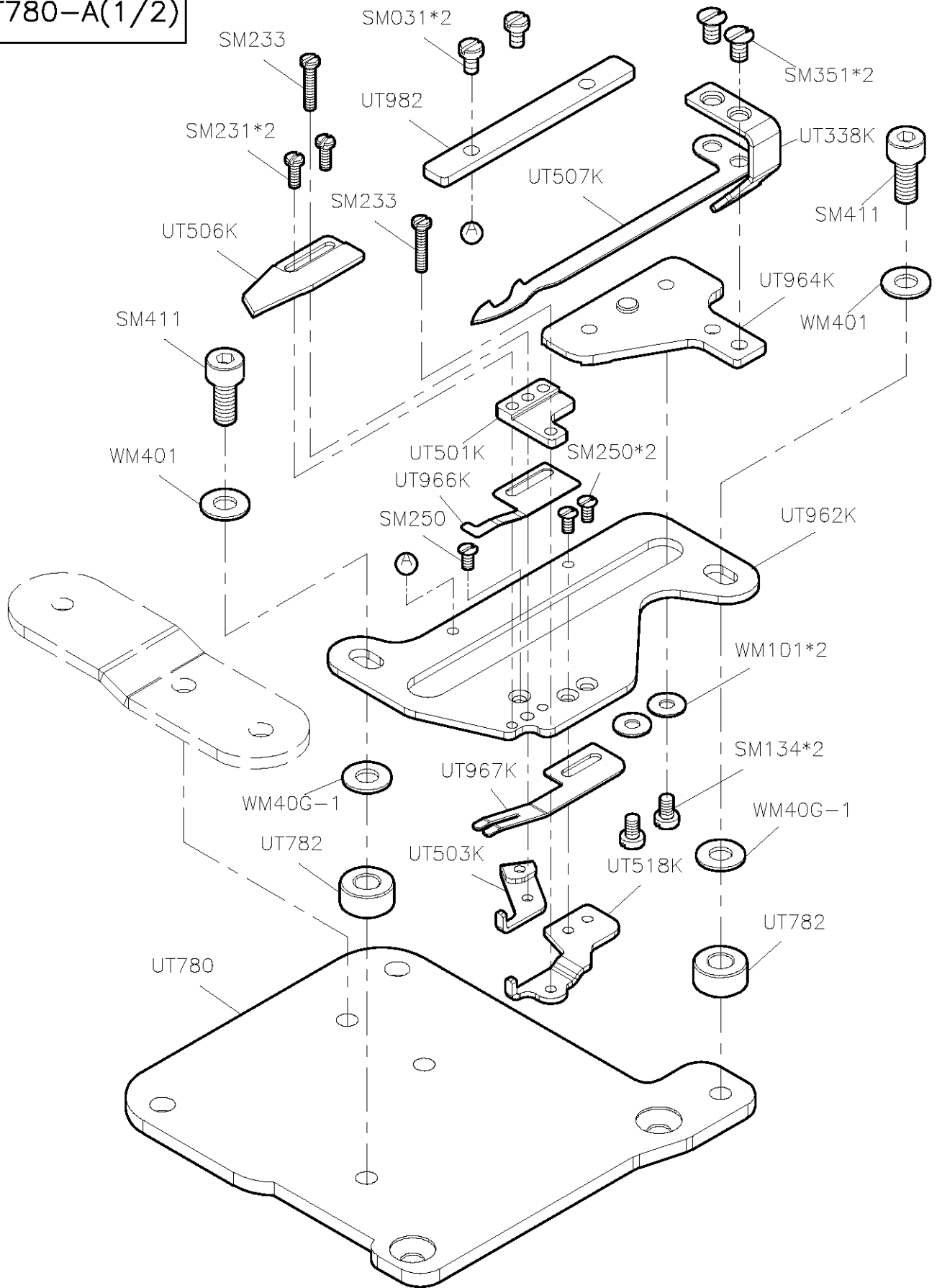
A

B

C

D

E



**SIRUBA**

PARTS LIST

Series

F007K/F007KD  
F858K/F858KD

Parts Group

UTJ(UTK)-K

Subclass / Remark

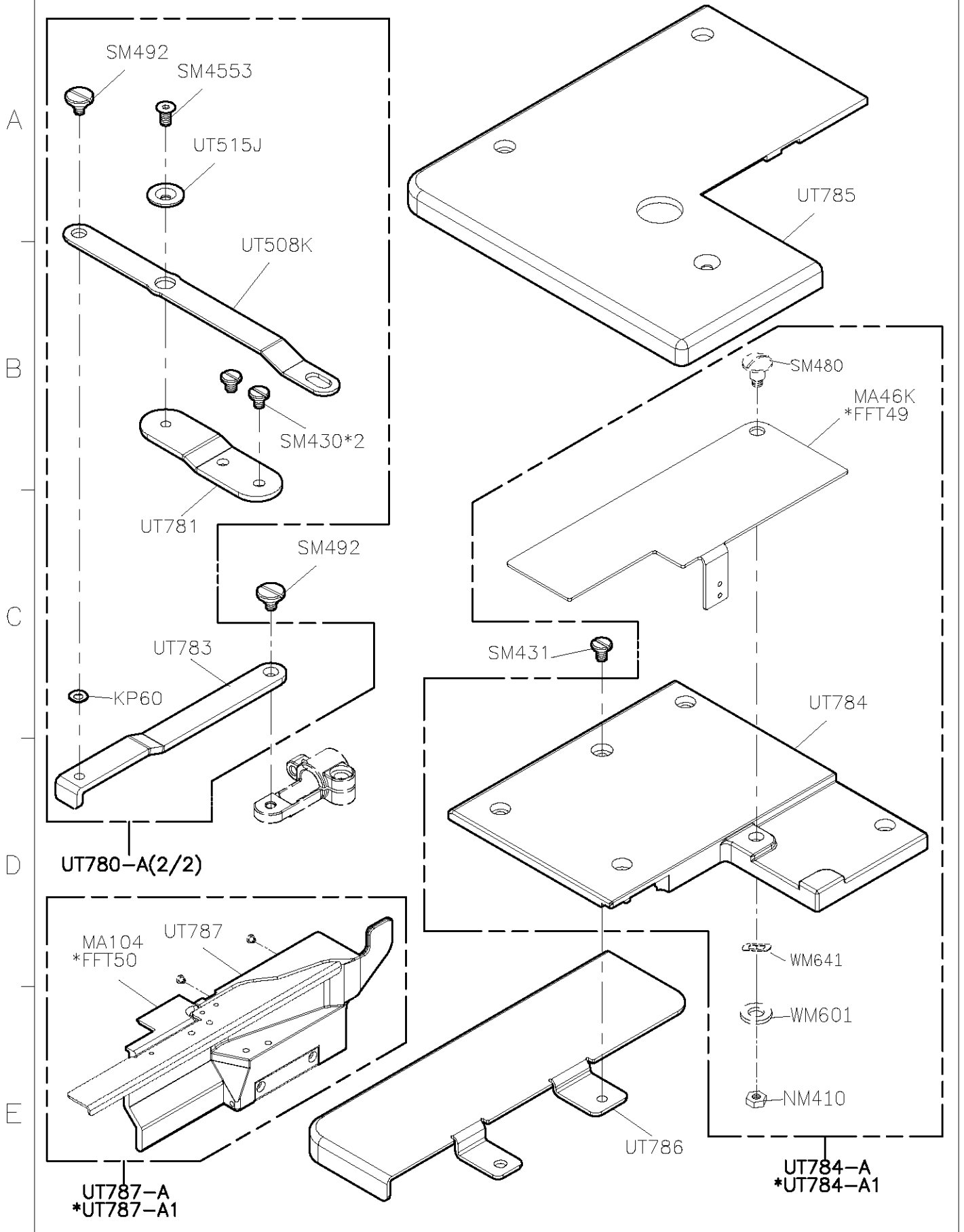
#Use for F007KD/F858KD/FFT

Page

2/13

Date

2015/01/21



**SIRUBA**

PARTS LIST

Series

F007K/F007KD  
F858K/F858KD

Parts Group

UTJ(UTK)-K

Subclass / Remark

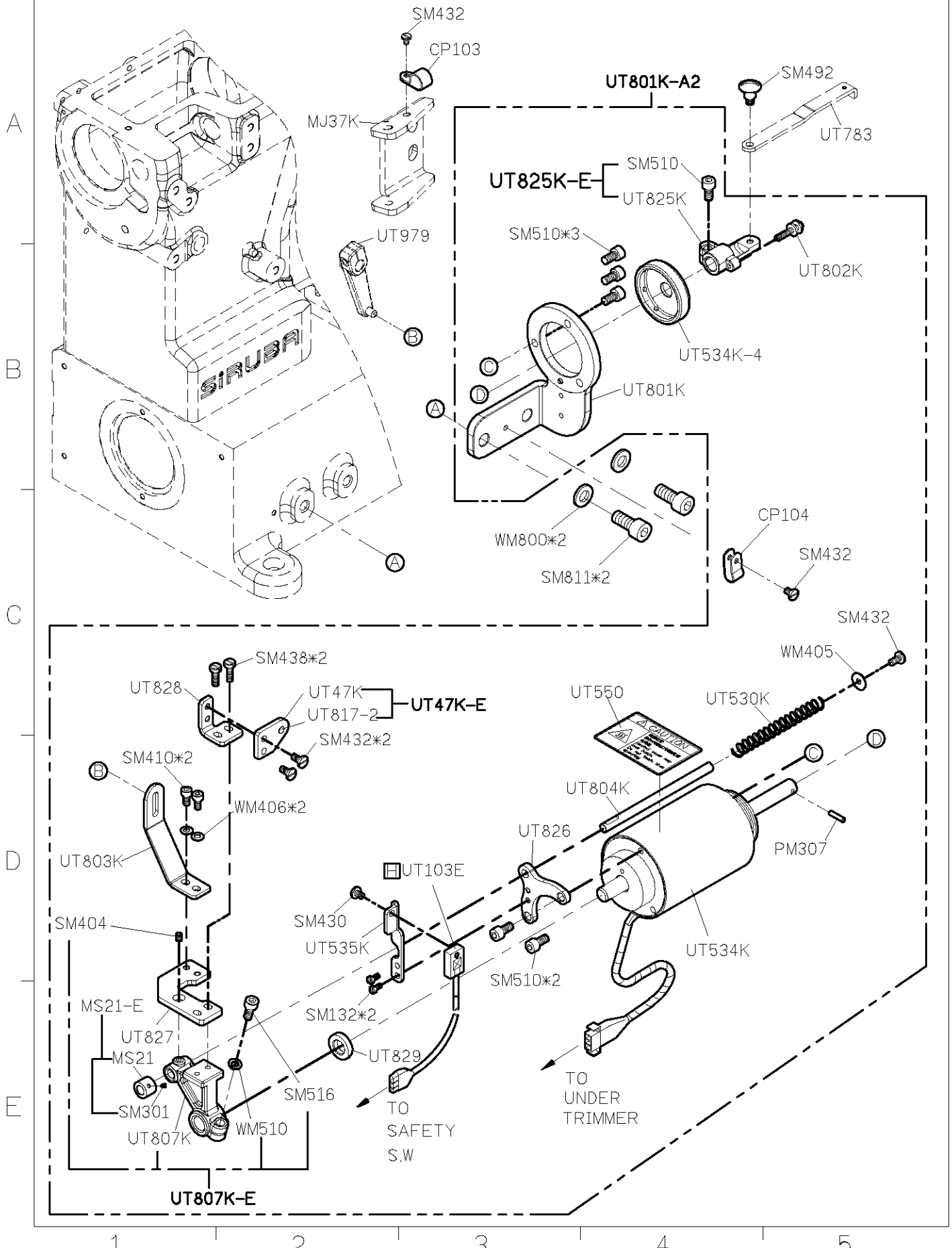
☐ : For H brand motor

Page

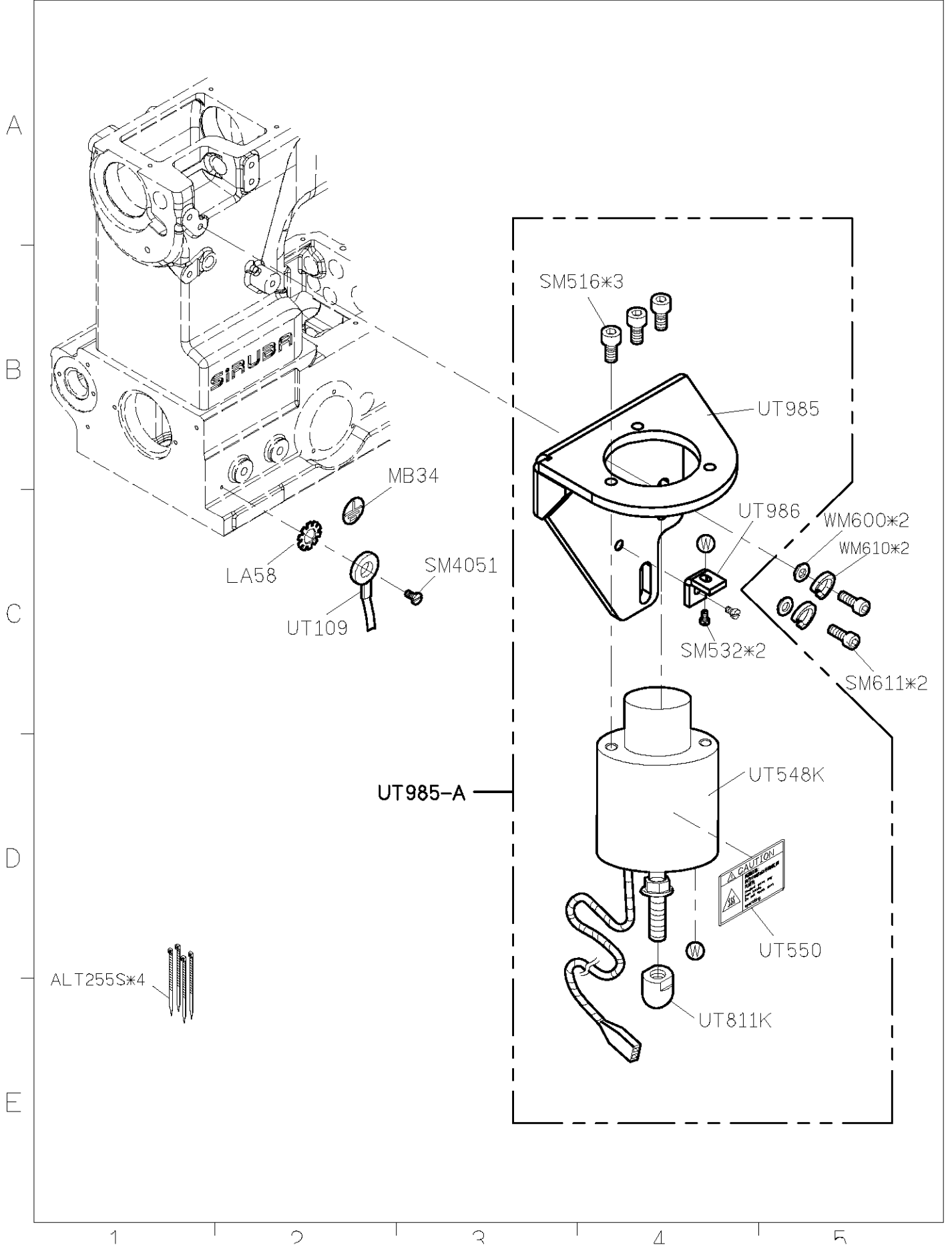
3/13

Date

2015/01/21



SIRUBA PARTS LIST	Series	Parts Group	Subclass / Remark	Page
	F007K/F007KD	UTJ(UTK)-K		4/13
	F858K/F858KD			Date
				2014/05/19



**SIRUBA**

**PARTS LIST**

**Series**

**F007K/F007KD  
F858K/F858KD**

**Parts Group**

**UTJ(UTK)-K**

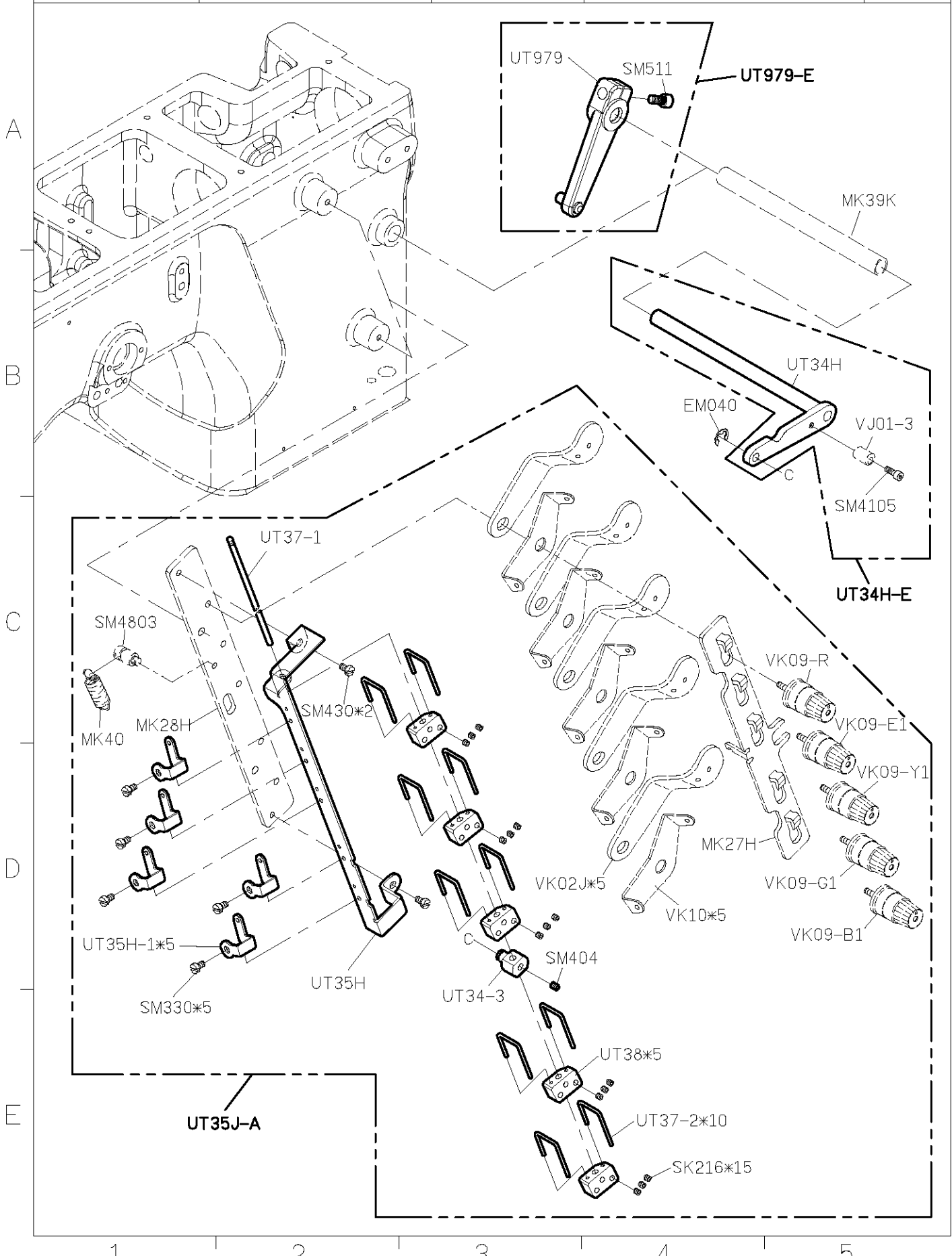
**Subclass / Remark**

**Page**

**5/13**

**Date**

**2013/1016**



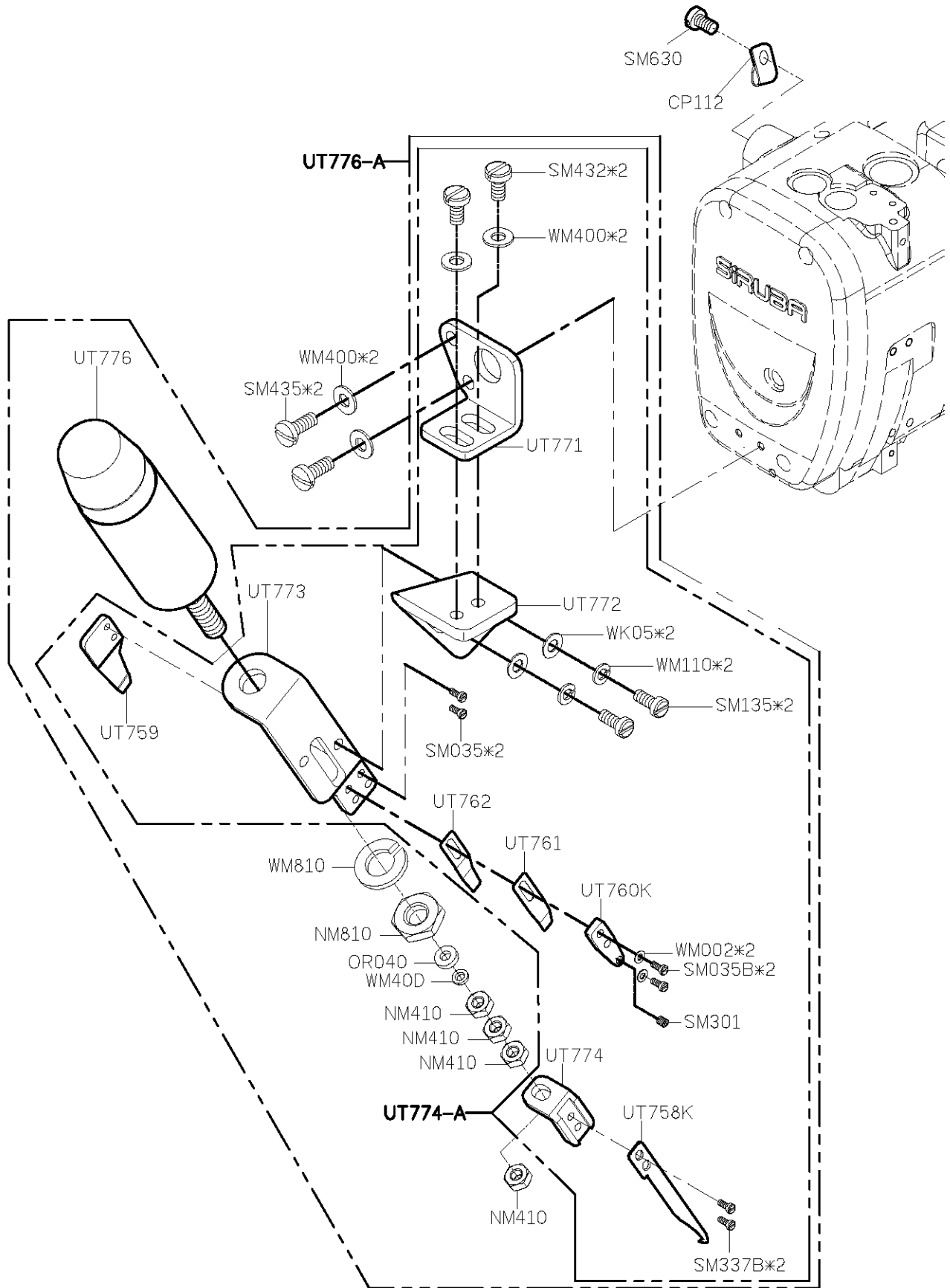
A

B

C

D

E



**SIRUBA**

PARTS LIST

Series

F007K/F007KD  
F858K/F858KD

Parts Group

**UTK-K**

Subclass / Remark

Page

7/13

Date

2015/01/05

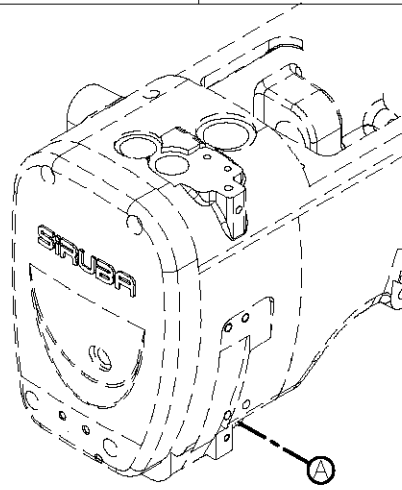
A

B

C

D

E



WP51-A2

UT776

WP51-A

SM418\*2

WP55

WP51

WP42

WP41K  
SM130

WM810

NM810

OR040

WM40D

NM410

NM410

NM410

WP52

SM330

WM301

SM030

WP54

UT564

WP58

WP34K

WP53

SM4831

SM4553B\*2

SM4306

WP32

WP56

WM402\*2

SM410\*2

WM402\*2

SM410\*2

NM410

BC715

WP36

1

2

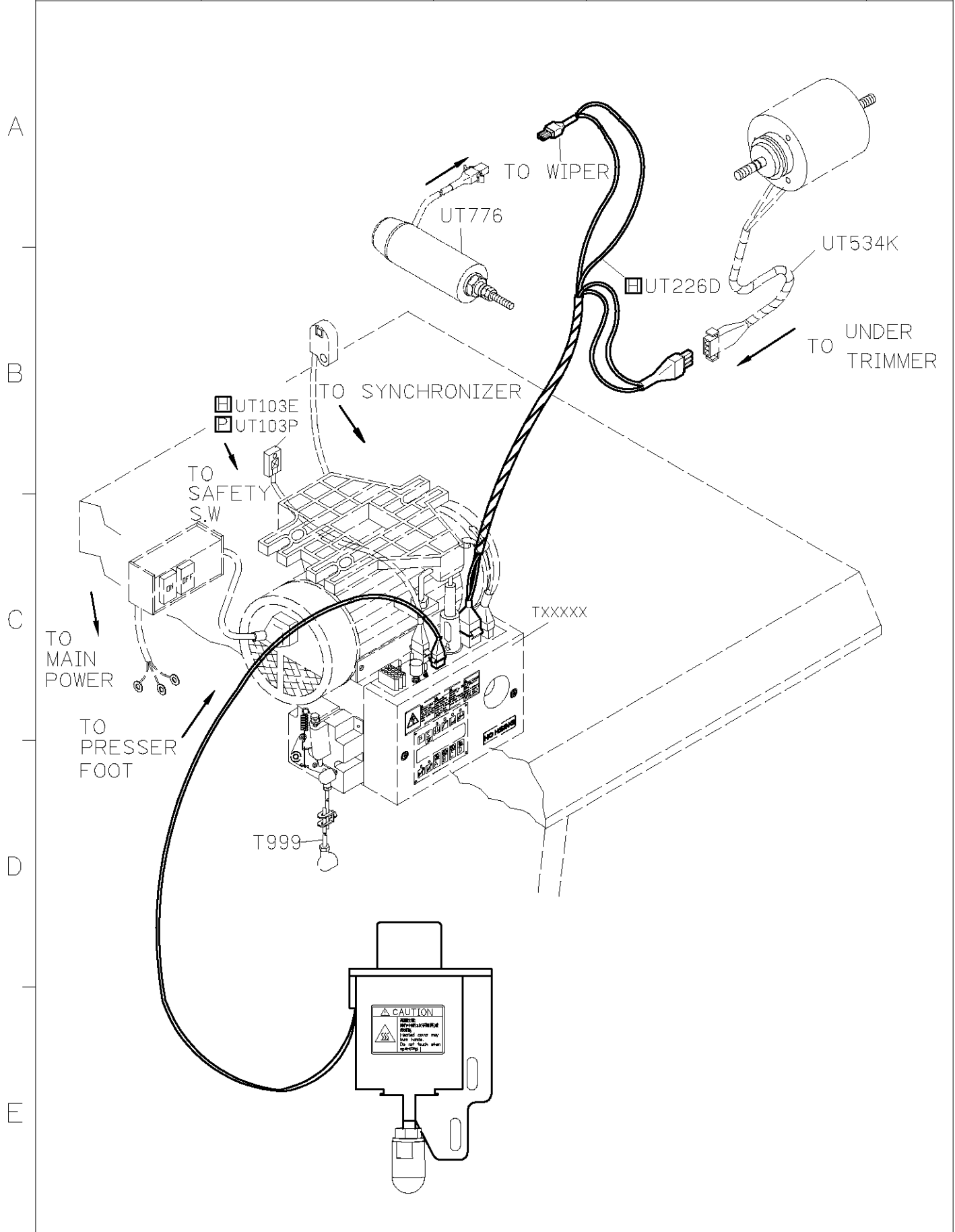
3

4

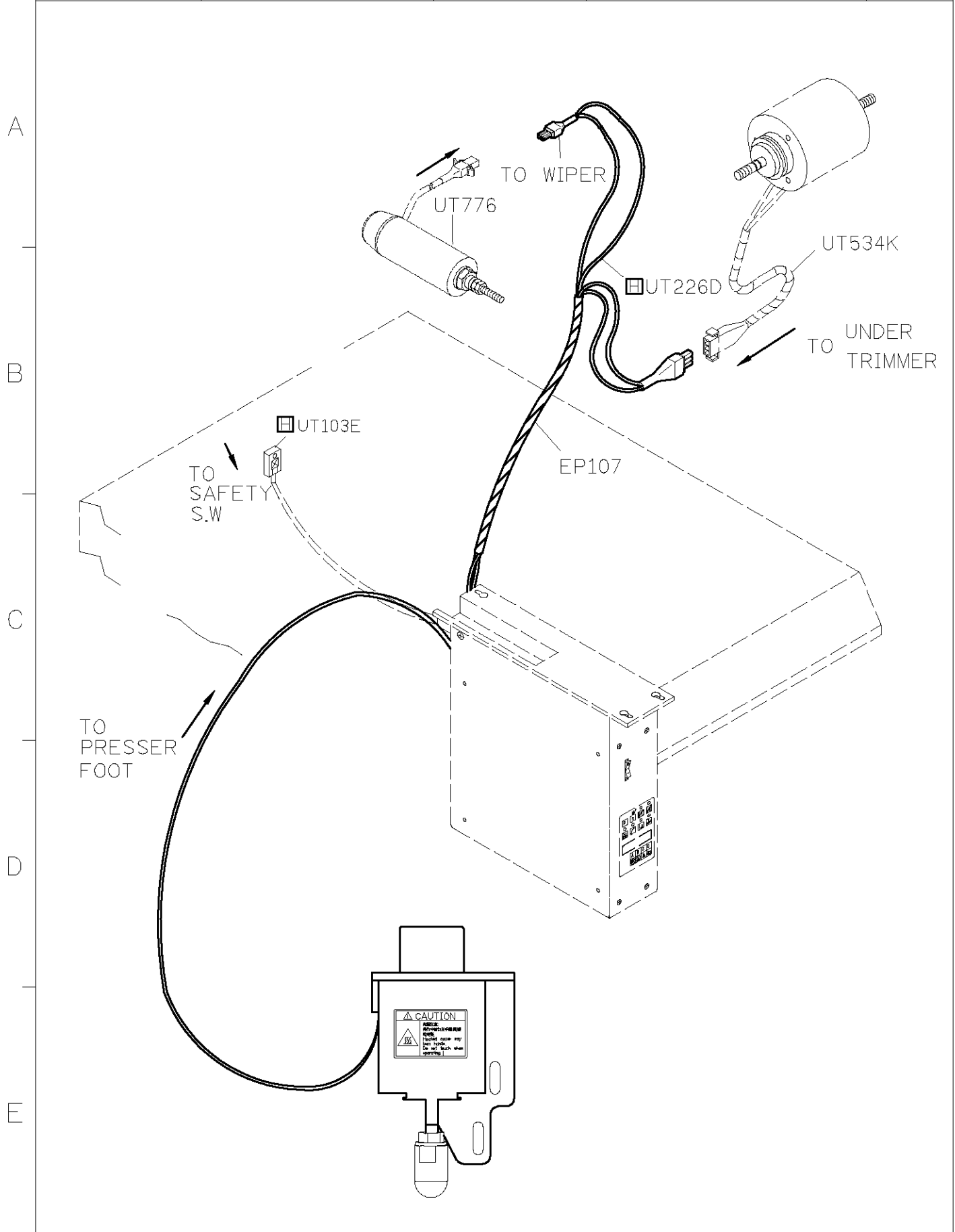
5



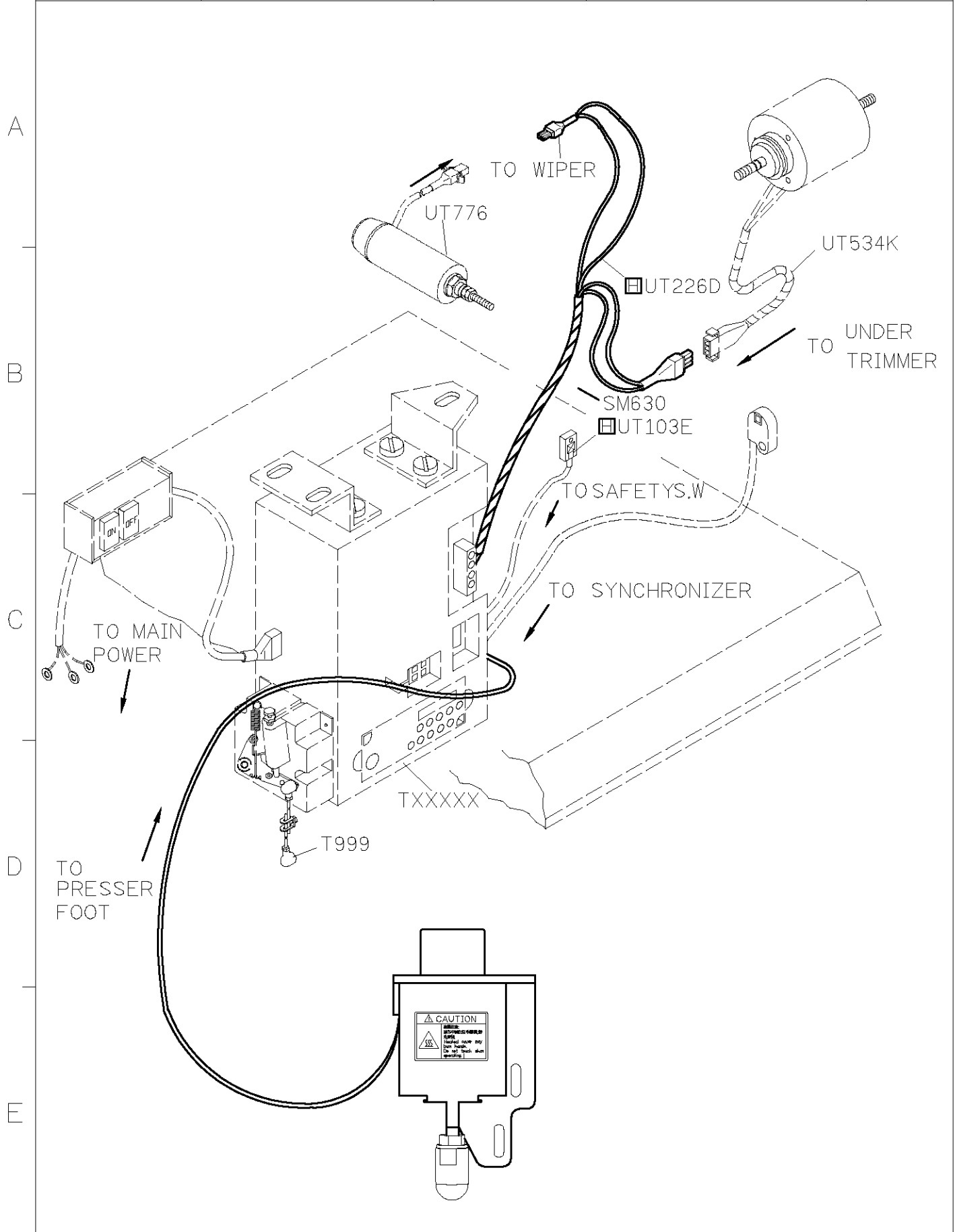
<b>SIRUBA</b> PARTS LIST	Series	Parts Group	Subclass / Remark	Page
	F007K/F007KD	UTJ(UTK)-K	For F007K/F858K ☐ : For H brand motor	8/13
	F858K/F858KD			Date
				2015/01/05



<b>SIRUBA</b> PARTS LIST	Series	Parts Group	Subclass / Remark	Page
	F007K/F007KD	UTJ(UTK)-K	For F007KD/F858KD	9/13
	F858K/F858KD		☐ : For H brand motor	Date
				2015/01/05

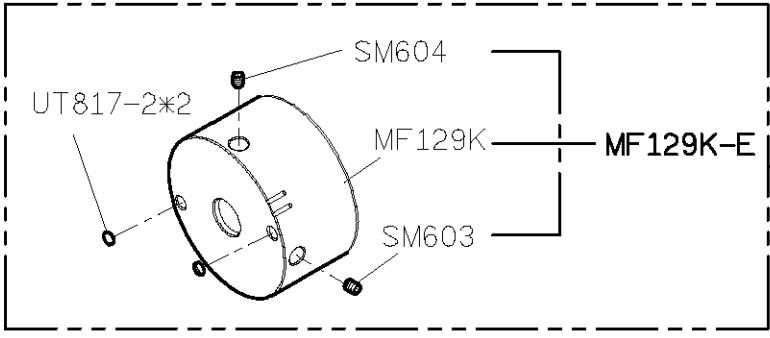


<b>SIRUBA</b> PARTS LIST	Series	Parts Group	Subclass / Remark	Page
	F007K/F007KD	UTJ(UTK)-K	For F007KD/F858KD ☐ : For H brand motor	10/13
	F858K/F858KD			Date
				2015/01/05

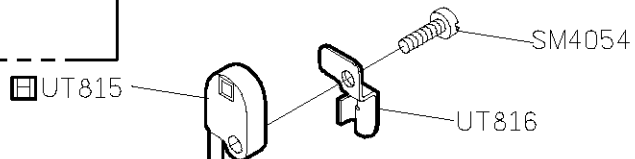


<b>SIRUBA</b> PARTS LIST	<b>F007K/F007KD</b> <b>F858K/F858KD</b>	Parts Group <b>UTJ(UTK)-K</b>	Subclass / Remark For F007K/F858K ☐ : For H brand motor	Page 11/13 Date <b>2012/10/31</b>
-----------------------------	--	----------------------------------	---	--

A



B



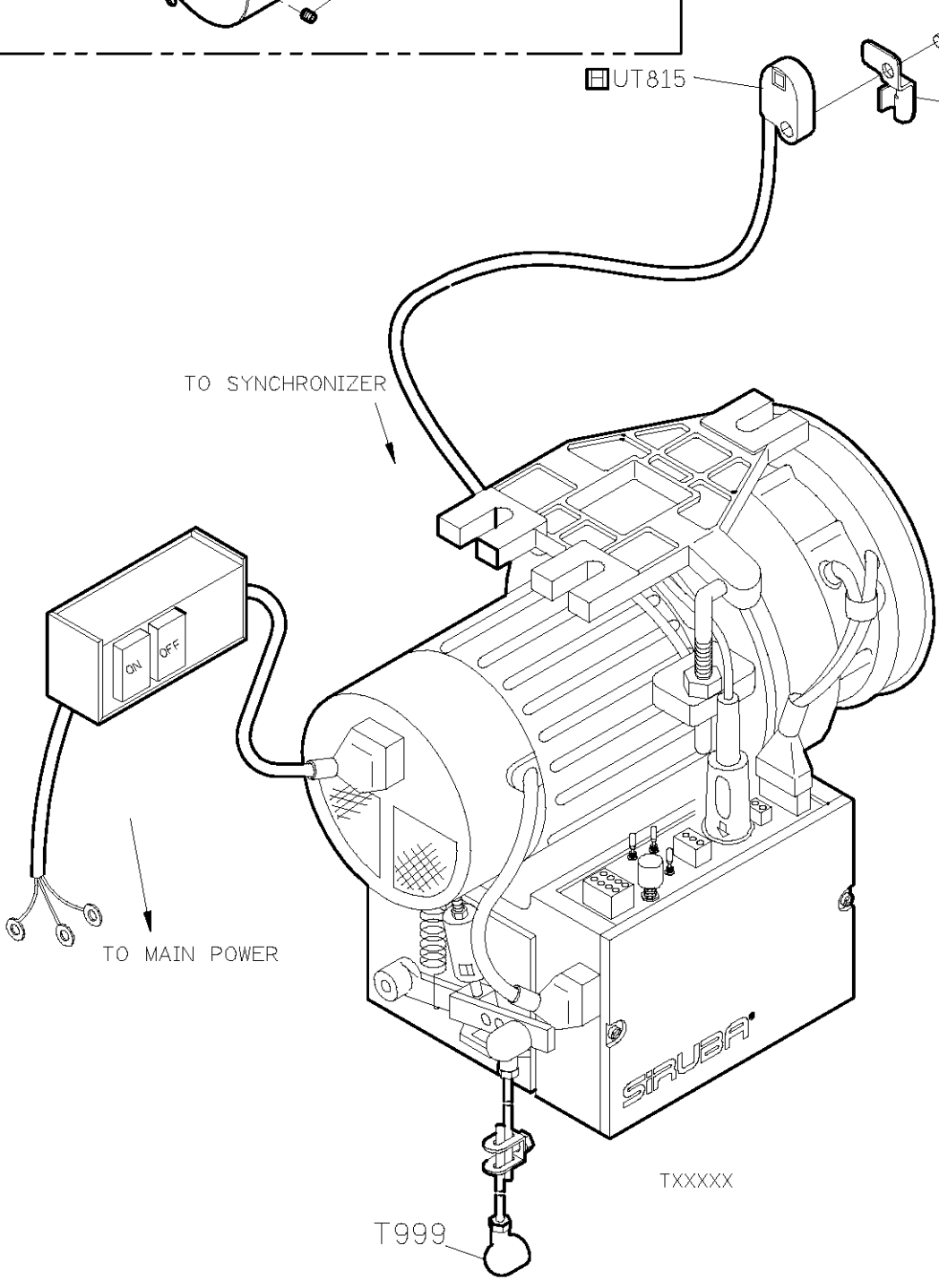
C

TO SYNCHRONIZER

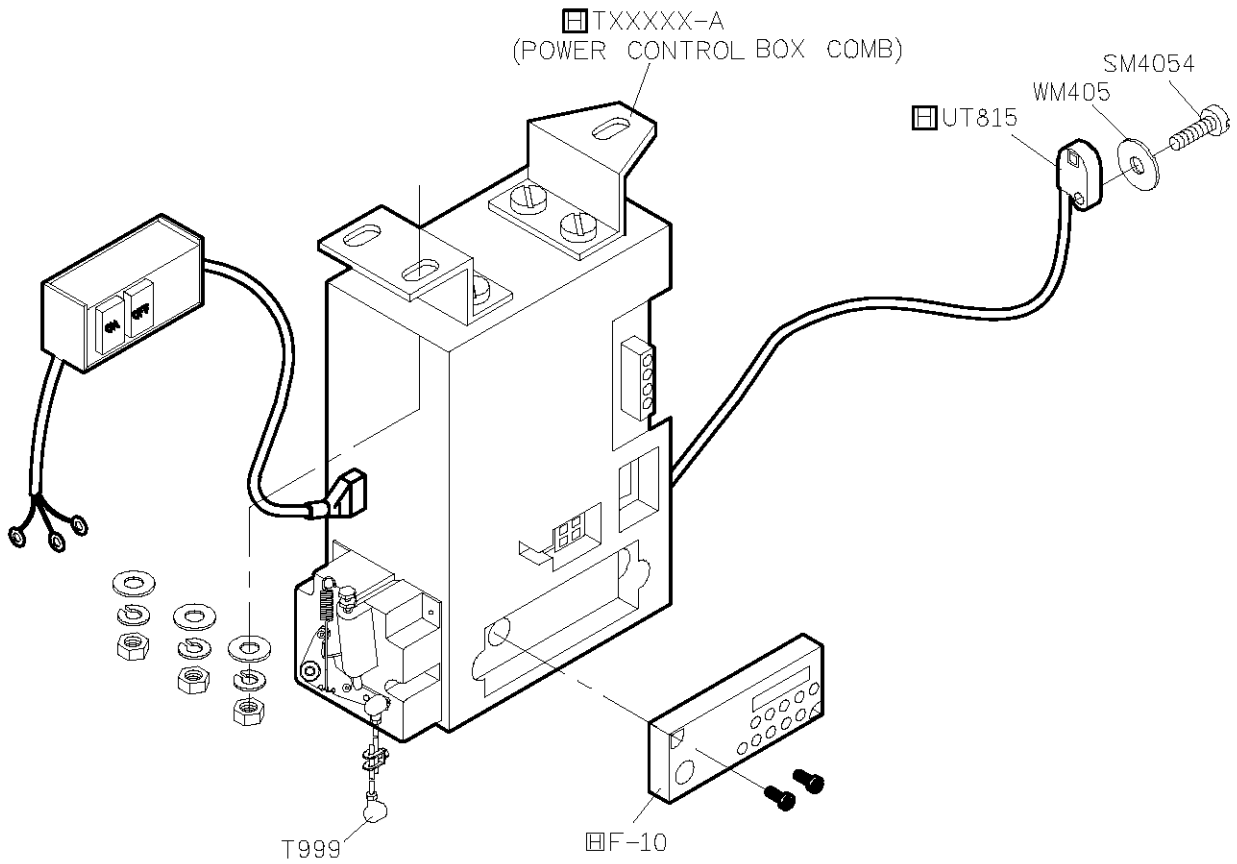
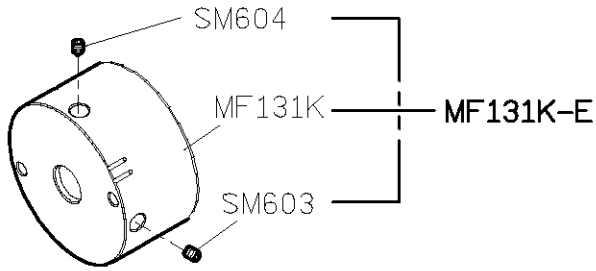
D

TO MAIN POWER

E



<b>SIRUBA</b> PARTS LIST	<b>F007K/F007KD</b> <b>F858K/F858KD</b>	Parts Group	Subclass / Remark	Page
		<b>UTJ(UTK)-K</b>	For F007KD/F858KD <input type="checkbox"/> For H brand motor(HVP-70)	12/13
		Date <b>2012/10/31</b>		



<b>SIRUBA</b> PARTS LIST	Series	Parts Group	Subclass / Remark	Page
	F007K/F007KD	UTJ(UTK)-K	For F007KD/F858KD	13/13
	F858K/F858KD		☐: For H brand motor(HVP-70)	Date 2012/10/31

