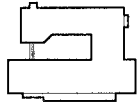
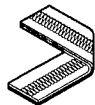
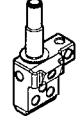
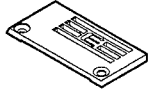

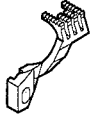
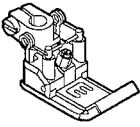
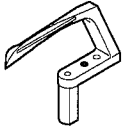
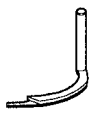

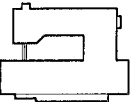
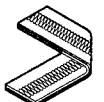
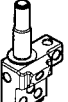
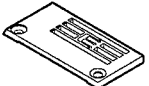
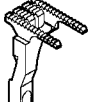
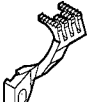
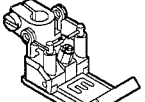
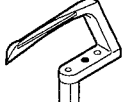


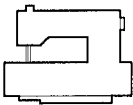

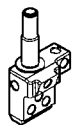
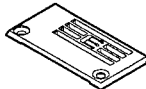

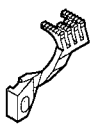
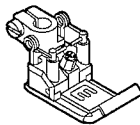
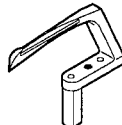


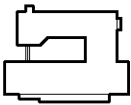



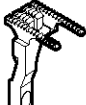
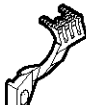
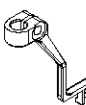
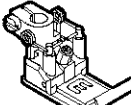



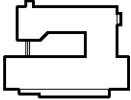




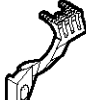
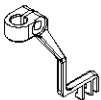
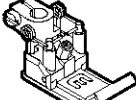
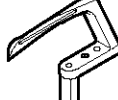


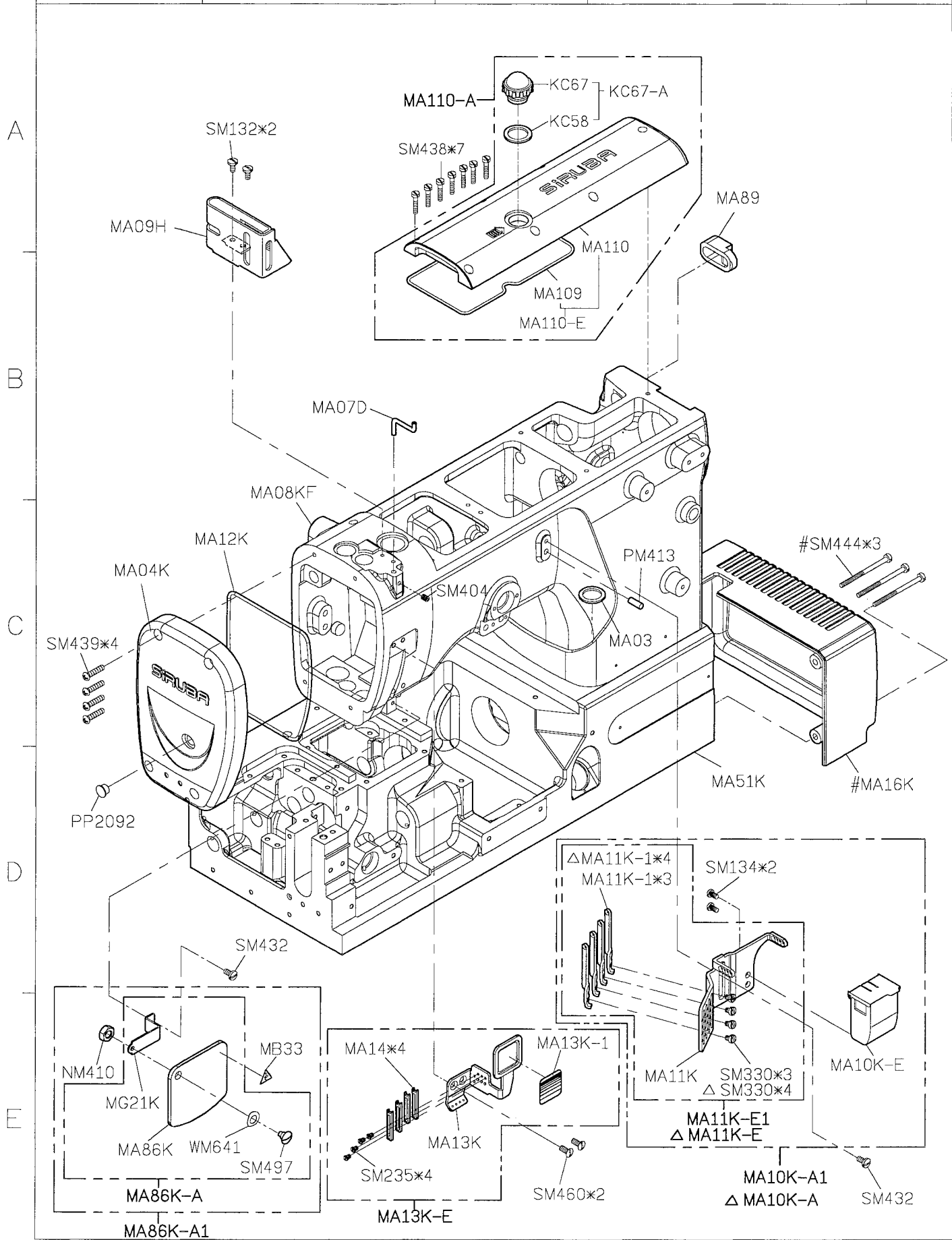
		Series			Remark						Page	Date
		F007K/F007KD F858K									1 / 3	2016/9/7
												
MODEL		SUB-CLASS	NEEDLE CLAMP	NEEDLE PLATE	MAIN FEED DOG	DIFF. FEED DOG	PRESSER FOOT	LOOPER	SPREADER	NEEDLE		
機 型		規 格	針 座	針 板	主送具	差送具	壓 具	勾 針	上 叉	使用針		
F007K(KD) F858K	W121/FHA	240	M5240	E1534	D1206P	H1258	P2544A-A P2545A-A P2445-A P2445-A1	ME28	MH41	UYX128GAS#10		
		248	M5248	E1535								
	W122/FHA	356	M5356	E1836	D1207P	H1259	P2544A-A P2545A-A P2445-A P2445-A1	ME28	MH41	UYX128GAS#10		
		364	M5364	E1837								
	W122/FHA/UTK	240	M5240	E1524	D1206P	H1258	P2544A-A P2545A-A P2445-A P2445-A1	ME28	MH41	UYX128GAS#10		
		248	M5248	E1525								
	U122/FP	356	M5356	E1826	D1207P	H1259	P2544A-A P2545A-A P2445-A P2445-A1	ME28	MH41	UYX128GAS#10		
		364	M5364	E1827								
W123/FHA	240	M5240	E1514	D1206P	H1258	P2544A-A P2545A-A P2445-A P2445-A1	ME28	MH41	UYX128GAS#10			
	248	M5248	E1515									
W162/FHA	356	M5356	E1816	D1207P	H1259	P2544A-A P2545A-A P2445-A P2445-A1	ME28A	MH41	TV*5#14~16			
	364	M5364	E1817									
W222/FQ	240	M5240	E1846	D1207P	H1259	P2445-A P2445-A1	ME28A	MH41	UYX128GAS#10			
	248	M5248	E1847									
W222/FQ	356	M5356	E3023	D1215	H1261	P1813K-A P1814K-A P1815K-A P2116K-A P2117K-A	ME28	MH41	UYX128GAS#10			
	364	M5364	E3024									
			E3025									
			E3326									
			E3327									

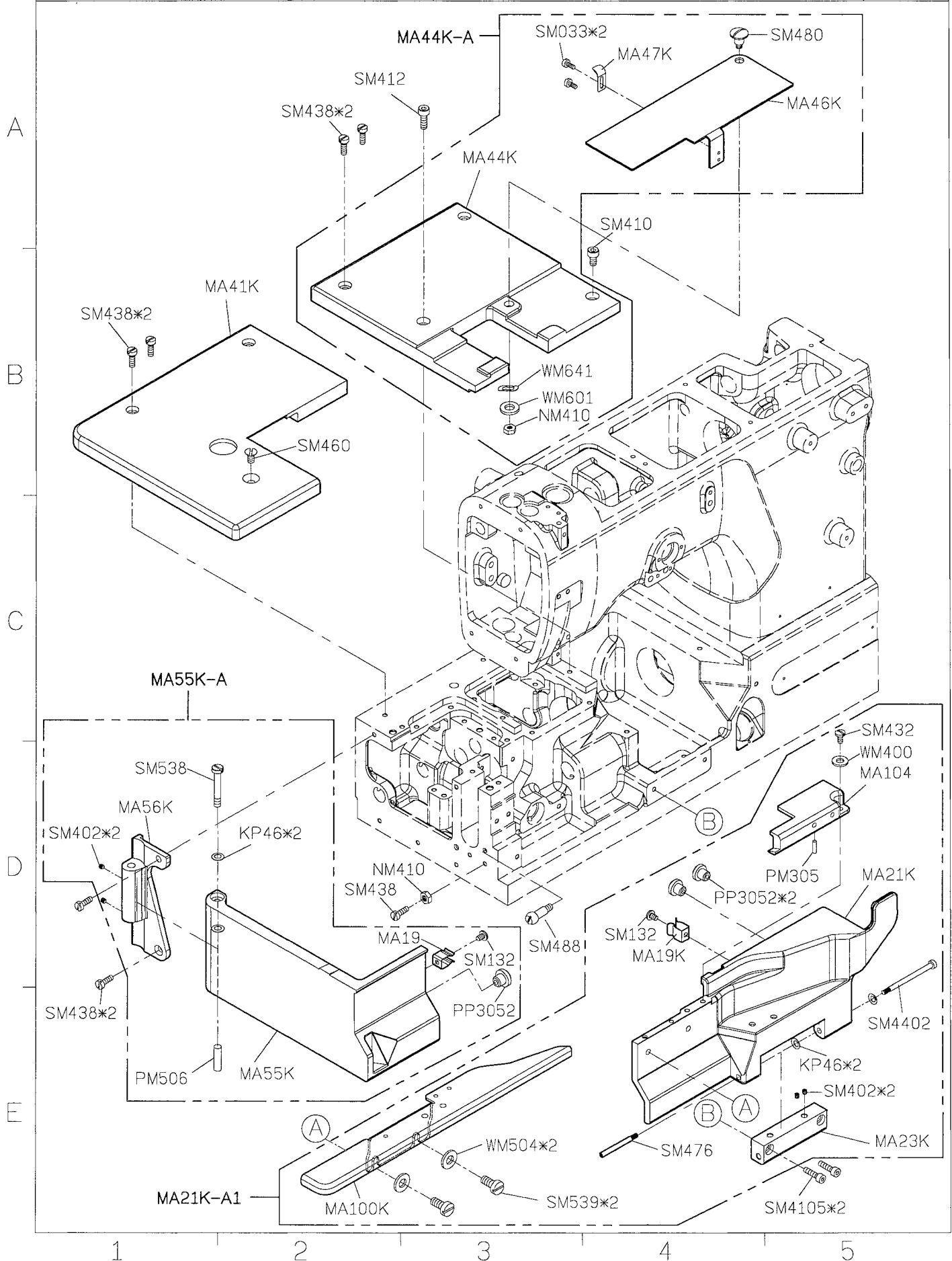
SIRUBA MODEL COMPARE LIST		Series				Remark				Page	Date
		F007K/F007KD F858K								2 / 3	2016/9/7
											
MODEL		SUB-CLASS	NEEDLE CLAMP	NEEDLE PLATE	MAIN FEED DOG	DIFF. FEED DOG	PRESSER FOOT	LOOPER	SPREADER	NEEDLE	
機 型		規 格	針 座	針 板	主送具	差送具	壓 具	勾 針	上 叉	使用針	
F007K(KD) F858K	U222/FQ	240	M5240	E3024	D1215	H1261	P2314K-A	ME28	—	UYX128GAS#10	
		248	M5248	E3025	D1215	H1261	P2315K-A				
		356	M5356	E3326	D1216	H1262	P2616K-A				
		364	M5364	E3327	D1216	H1262	P2617K-A				
F007K F858K	W222/FFD(FFP)	240	M5240	E3024	D1215	H1261	P1814K-A	ME28	MH41	UYX128GAS#10	
		248	M5248	E3025	D1215	H1261	P1815K-A				
		356	M5356	E3326	D1216	H1262	P2116K-A				
		364	M5364	E3327	D1216	H1262	P2117K-A				
F007K F858K	U222/FFD(FFP)	240	M5240	E3024	D1215	H1261	P2314K-A	ME28	—	UYX128GAS#10	
		248	M5248	E3025			P2315K-A				
		356	M5356	E3326	D1216	H1262	P2616K-A				
F007K F858K	W222/FSM	240-4	M5240P	E3724	D1516	H1262	P2714-A	ME28	—	UYX128GAS#10	
		248-4	M5248P	E3725			P2715-A				
		364-4	M5364P	E3727			P2717-A				
F007K(KD) F858K	W322/FDC	356	M5356	E4826K	D1207P	H1359K	P2445-A	ME28	MH41	UYX128GAS#10	
		364	M5364	E4827K			P2445-A1				
F007K(KD) F858K	W322/FDE	356	M5356	E4836K	D1207P	H1459-E	P2445-A	ME28	MH41	UYX128GAS#10	
		364	M5364	E4837K			P2445-A1				
F007K F858K	W512/FFC(FE)	240	M5240	E1524	D1206P	H1258	P2914-A	ME28	MH41	UYX128GAS#10	
		248	M5248	E1525	D1206P	H1258	P2915-A				
		356	M5356	E1826	D1207P	H1259	P3216-A				
		364	M5364	E1827	D1207P	H1259	P3217-A				
F007K F858K	U512/FFC(FE)	240	M5240	E1524	D1206P	H1258	P3414-A	ME28	—	UYX128GAS#10	
		248	M5248	E1525	D1206P	H1258	P3415-A				
		356	M5356	E1826	D1207P	H1259	P3716-A				
		364	M5364	E1827	D1207P	H1259	P3717-A				

SIRUBA GAGE PARTS LIST		Series			Remark					Page	Date
		F007K/F007KD F858K								3 / 3	2016/9/7
											
MODEL		SUB-CLASS	NEEDLE CLAMP	NEEDLE PLATE	MAIN FEED DOG	DIFF. FEED DOG	PRESSER FOOT	LOOPER	SPREADER	NEEDLE	
機 型		規 格	針 座	針 板	主送具	差送具	壓 具	勾 針	上 叉	使用針	
F007K(KD) F858K	W522/FR	232 240 248 356 364	M5232 M5240 M5248 M5356 M5364	E6023 E6024 E6025 E6326 E6327	D2221 D2221 D2221 D2222 D2222	H2267K H2267K H2267K H2268K H2268K	P2813K-A1 P2814K-A1 P2815K-A1 P3116K-A1 P3117K-A1	ME28	MH41	UYX128GAS#10	
	W522/FR/FQS	232 240 248	M5232 M5240 M5248	E6023R E6024R E6025R	D2221	H2267R	P1813R-A P1814R-A P1815R-A	ME28	MH41	UYX128GAS#10	
	U613/FBP	256 264	M5356 M5364	E1836L E1837L	D1207P	H1259	P4000-A P4001-A	ME28	—	TVX5#14~18	
	U712	264	M5264	E5827	D5207	H5259	P4117-A	FS03/04	—	DVX43#11~16	
	U712/FSP	264	M5264	E5827	D5207	H5259	P5117-A (成品寬10mm用)	FS03/04	—	DVX43#11~16	
	U712/FSR	264	M5264	E5927	D5307	H5359	P4217-A	FS03/04	—	DVX43#12~14	
	U712/FSS	496 4111	M5496 M5411	E5496 E5411	D5411	H5411	P5120-A1 (成品寬12mm用) P5121-A1 (成品寬14mm用)	FS03/04	—	UYX128GAS#10	
	U712A/FSP	264	M5264	E5827	D5207	H5259	P5118-A (成品寬12mm用)	FS03/04	—	DVX43#11~16	
	W722/FY	388	M4388	E6828	D6207	H6259	P6117-A	FS03/04 /FY02	FY09	TV*7#12	
	W922/FW(FWP)-5	456 460 464	M5456K M5460K M5464K	E1828Q E1838Q E1848Q	D1207Q	H1259Q	P2428K-A P2438K-A P2448K-A	FW28D	MH41	SM1014B#10 (MY1014B#70, SY7256)	
	W922/FW(FWP)-4	456 460 464	M5456K M5460K M5464K	E1828 E1838 E1848	D1207P	H1259	P2428P-A P2438P-A P2448P-A	FW28D	MH41	SM1014B#10 (MY1014B#70, SY7256)	

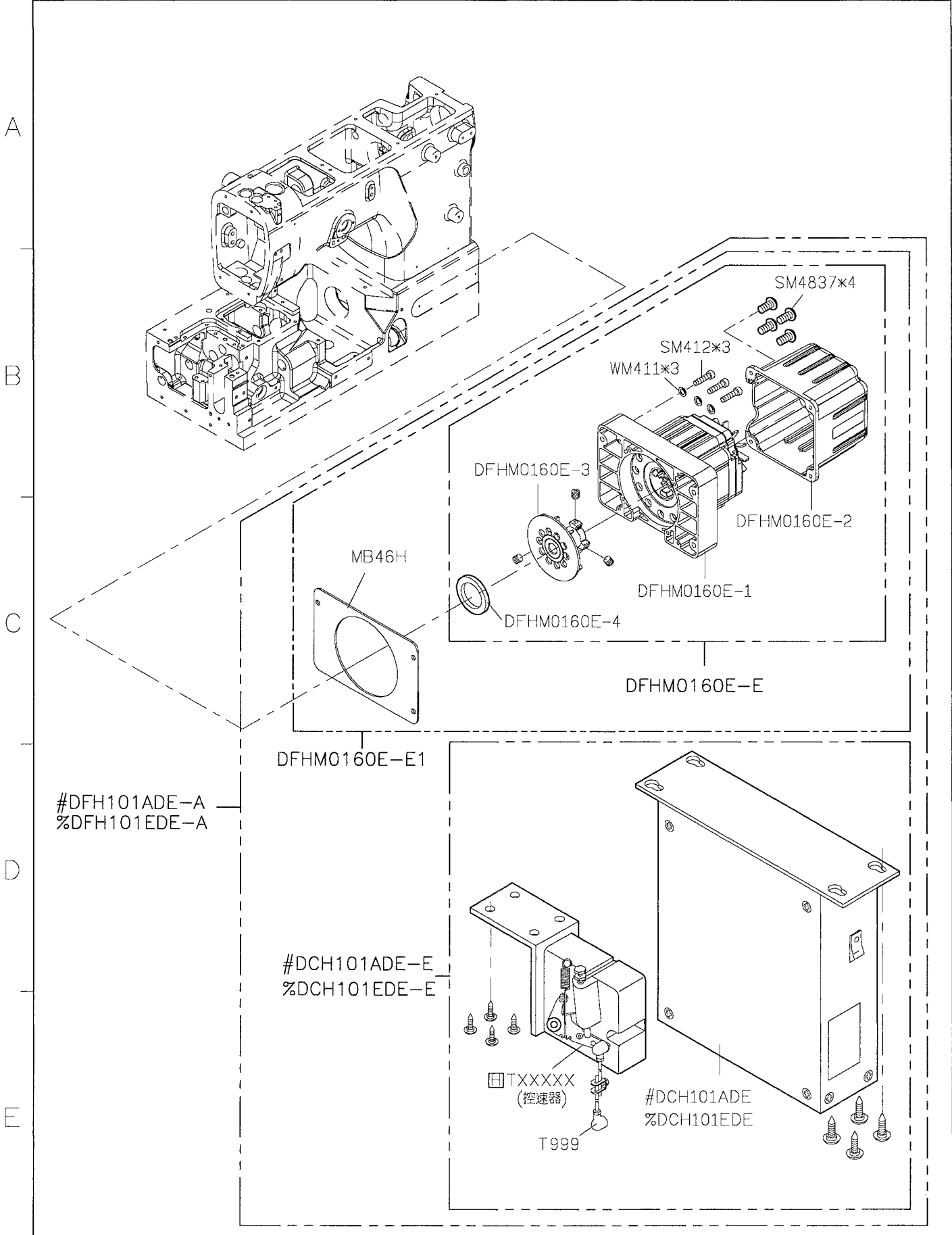
SIRUBA GAGE PARTS LIST		Series			Remark						Page	Date
		F007KD			USE FOR FFT						1 / 1	2012/11/01
												
MODEL	SUB-CLASS	NEEDLE CLAMP	NEEDLE PLATE	MAIN FEED DOG	DIFF. FEED DOG	TOP FEED DOG	PRESSER FOOT	LOOPER	SPREADER	NEEDLE		
機 型	規 格	針 座	針 板	主送具	差送具	上送具	壓 具	勾 針	上 叉	使用針		
W121/FFT/FHA	240 248 356 364	M5240 M5248 M5356 M5364	E1534 E1535 E1836 E1837	D1206P D1207P	H1258 H1259	F7240N F7356N	P7240N-A P7248N-A P7356N-A P7364N-A	ME28	MH41	UYX128GAS#10		
W121/FFT/FHA /UTG(UTJ)	240 248 356 364	M5240 M5248 M5356 M5364	E1534 E1535 E1836 E1837	D1206P D1207P	H1258 H1259	F7240N F7356N	P7240N-A P7248N-A P7356N-A P7364N-A	ME28	MH41	UYX128GAS#10		
W122/FFT/FHA	240 248 356 364	M5240 M5248 M5356 M5364	E1524 E1525 E1826 E1827	D1206P D1207P	H1258 H1259	F7240N F7356N	P7240N-A P7248N-A P7356N-A P7364N-A	ME28	MH41	UYX128GAS#10		
W122/FFT/FHA /UTG(UTJ)	240 248 356 364	M5240 M5248 M5356 M5364	E1524 E1525 E1826 E1827	D1206P D1207P	H1258 H1259	F7240N F7356N	P7240N-A P7248N-A P7356N-A P7364N-A	ME28	MH41	UYX128GAS#10		

SIRUBA GAGE PARTS LIST		Series			Remark						Page	Date
		F007KD			USE FOR FFT						2/2	2013/03/13
												
MODEL	SUB-CLASS	NEEDLE CLAMP	NEEDLE PLATE	MAIN FEED DOG	DIFF. FEED DOG	TOP FEED DOG	PRESSER FOOT	LOOPER	SPREADER	NEEDLE		
機 型	規 格	針 座	針 板	主送具	差送具	上送具	壓 具	勾 針	上 叉	使用針		
W131/FFT/FHA	240	M5240	E7240FL	D7240F	H7240F	F7240F	P7240F-A	ME28	MH41	UYX128GAS#10		
	248	M5248	E7248FL				P7248F-A					
	356	M5356	E7356FL	D7356F	H7356F	F7356F	P7356F-A					
	364	M5364	E7364FL				P7364F-A					
W131/FFT/FHA /UTG(UTJ)	240	M5240	E7240FL	D7240F	H7240F	F7240F	P7240F-A	ME28	MH41	UYX128GAS#10		
	248	M5248	E7248FL				P7248F-A					
	356	M5356	E7356FL	D7356F	H7356F	F7356F	P7356F-A					
	364	M5364	E7364FL				P7364F-A					
W132/FFT/FHA	240	M5240	E7240FM	D7240F	H7240F	F7240F	P7240F-A	ME28	MH41	UYX128GAS#10		
	248	M5248	E7248FM				P7248F-A					
	356	M5356	E7356FM	D7356F	H7356F	F7356F	P7356F-A					
	364	M5364	E7364FM				P7364F-A					
W132/FFT/FHA /UTG(UTJ)	240	M5240	E7240FM	D7240F	H7240F	F7240F	P7240F-A	ME28	MH41	UYX128GAS#10		
	248	M5248	E7248FM				P7248F-A					
	356	M5356	E7356FM	D7356F	H7356F	F7356F	P7356F-A					
	364	M5364	E7364FM				P7364F-A					
U131/FFT/FHK	248	M5248	E7248FL	D7240F	H7240F	F7240F	P7248U-A	ME28	—	UYX128GAS#10		
	256	M5356	E7356FL	D7356F	H7356F	F7356F	P7256U-A					
	264	M5364	E7364FL	D7356F	H7356F	F7356F	P7264U-A					
U132/FFT/FHK	248	M5248	E7248FM	D7240F	H7240F	F7240F	P7248U-A	ME28	—	UYX128GAS#10		
	256	M5356	E7356FM	D7356F	H7356F	F7356F	P7256U-A					
	264	M5364	E7364FM	D7356F	H7356F	F7356F	P7264U-A					

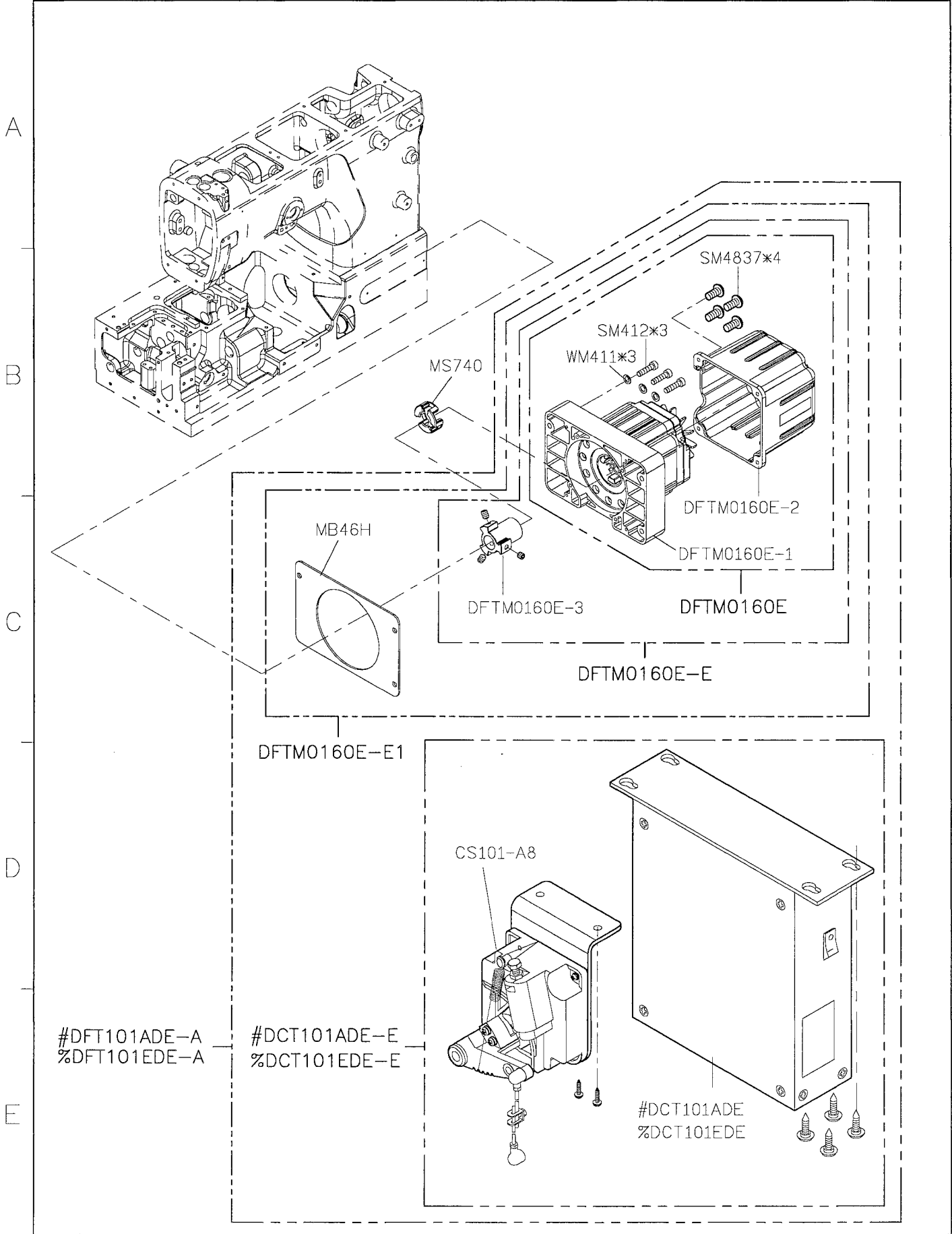




SIRUBA PARTS LIST	Series	Parts Group	Subclass / Remark	Page
	F007K/F007KD	MB-K	For Direct-Drive Motor (H牌) #For Pneumatic Automatic %For Electric Automatic	2/4
				Date
				2016/10/11



SIRUBA PARTS LIST	Series	Parts Group	Subclass / Remark	Page
	F007K/F007KD	MB-K	For Direct-Drive Motor(T牌) #For Pneumatic Automatic %For Electric Automatic	3/4
				Date
				2016/10/11



1

2

3

4

5

SIRUBA

PARTS LIST

Series

F007K/F007KD

Parts Group

MB-K

Subclass / Remark

For Direct-Drive Motor(P牌)
#For Pneumatic Automatic
%For Electric Automatic

Page

4/4

Date

2016/10/11

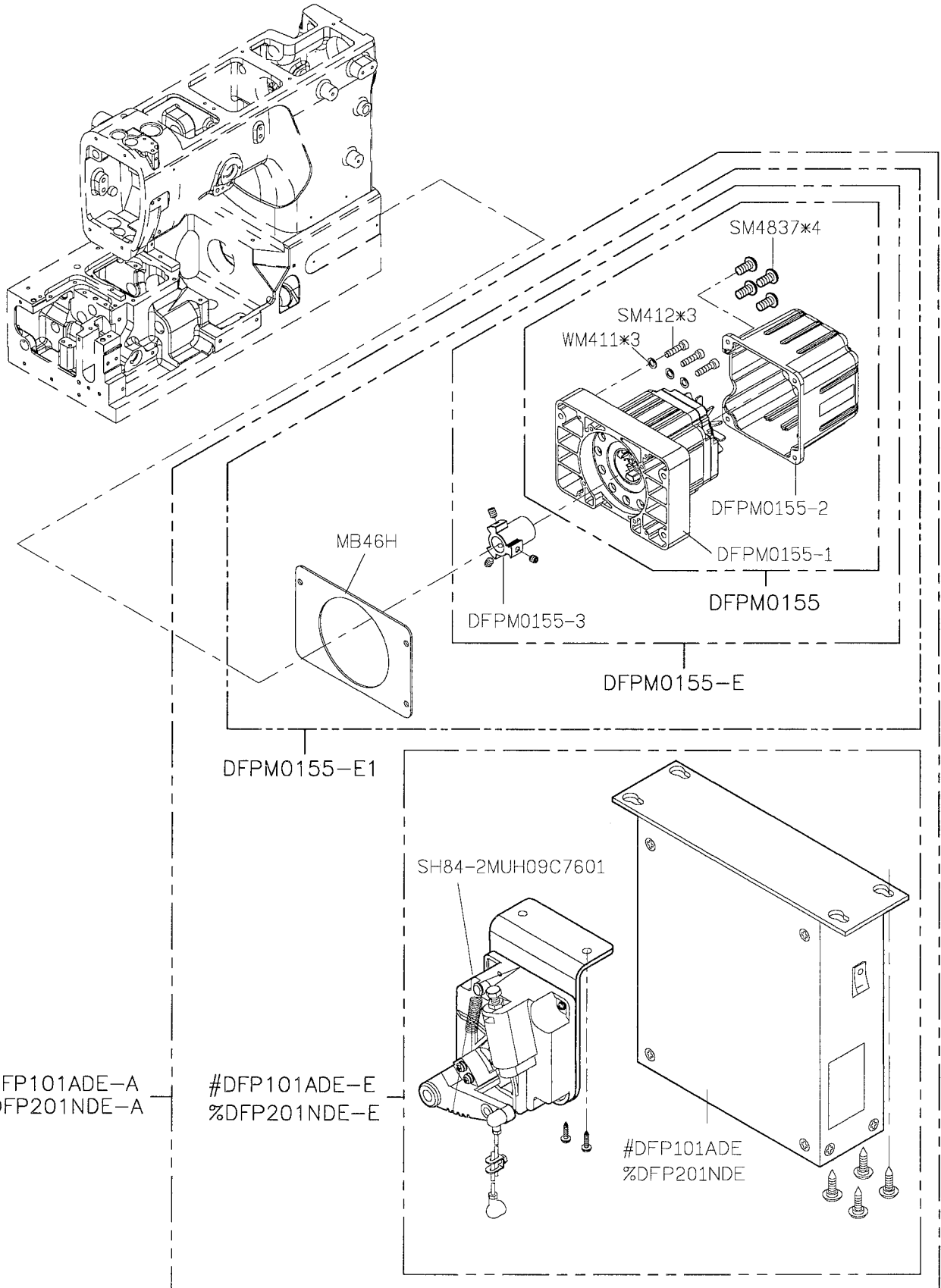
A

B

C

D

E



1

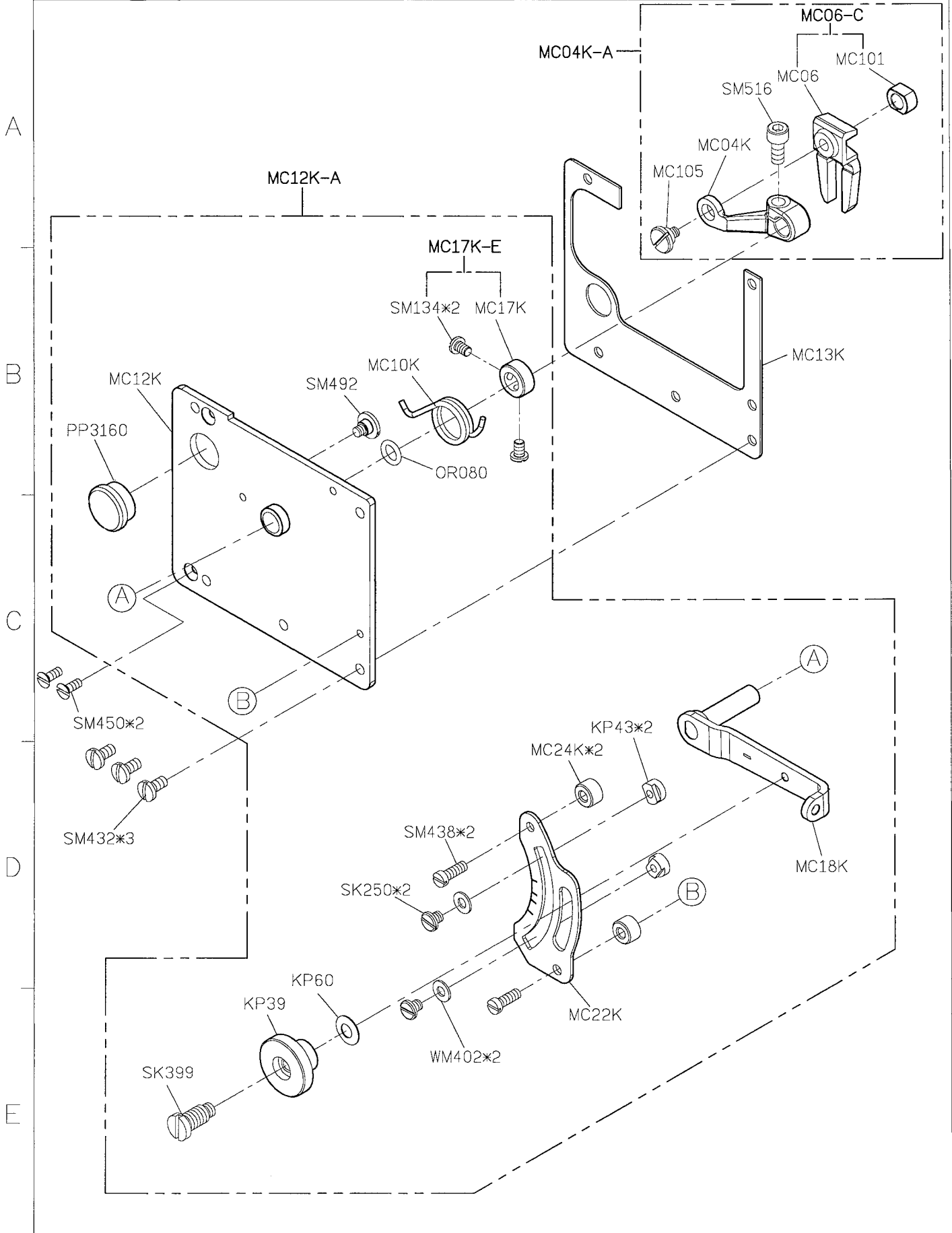
2

3

4

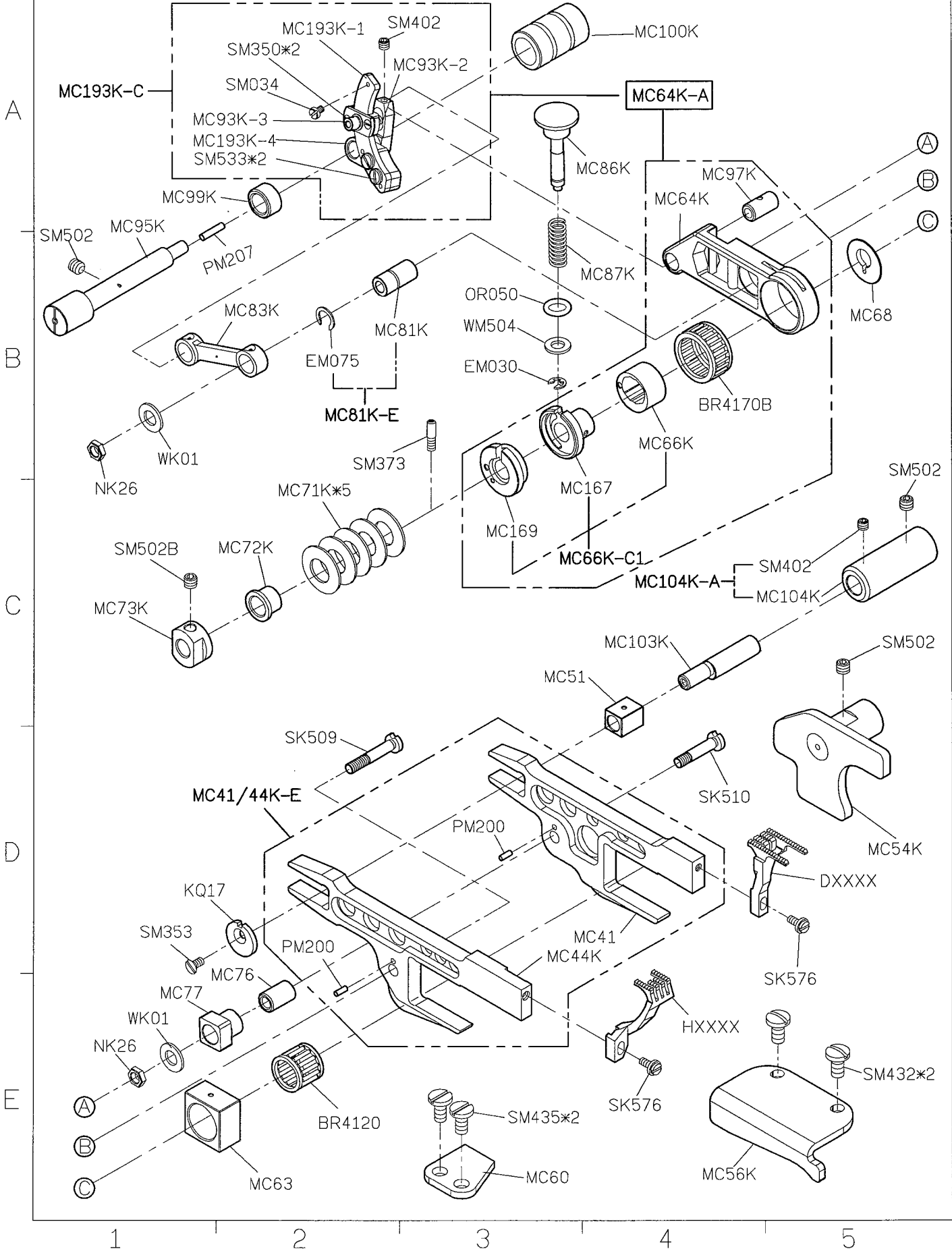
5

SIRUBA PARTS LIST	Series	Parts Group	Subclass / Remark	Page
	F007K/F007K F858K	MC-K		1/2
				Date
				2016/9/6

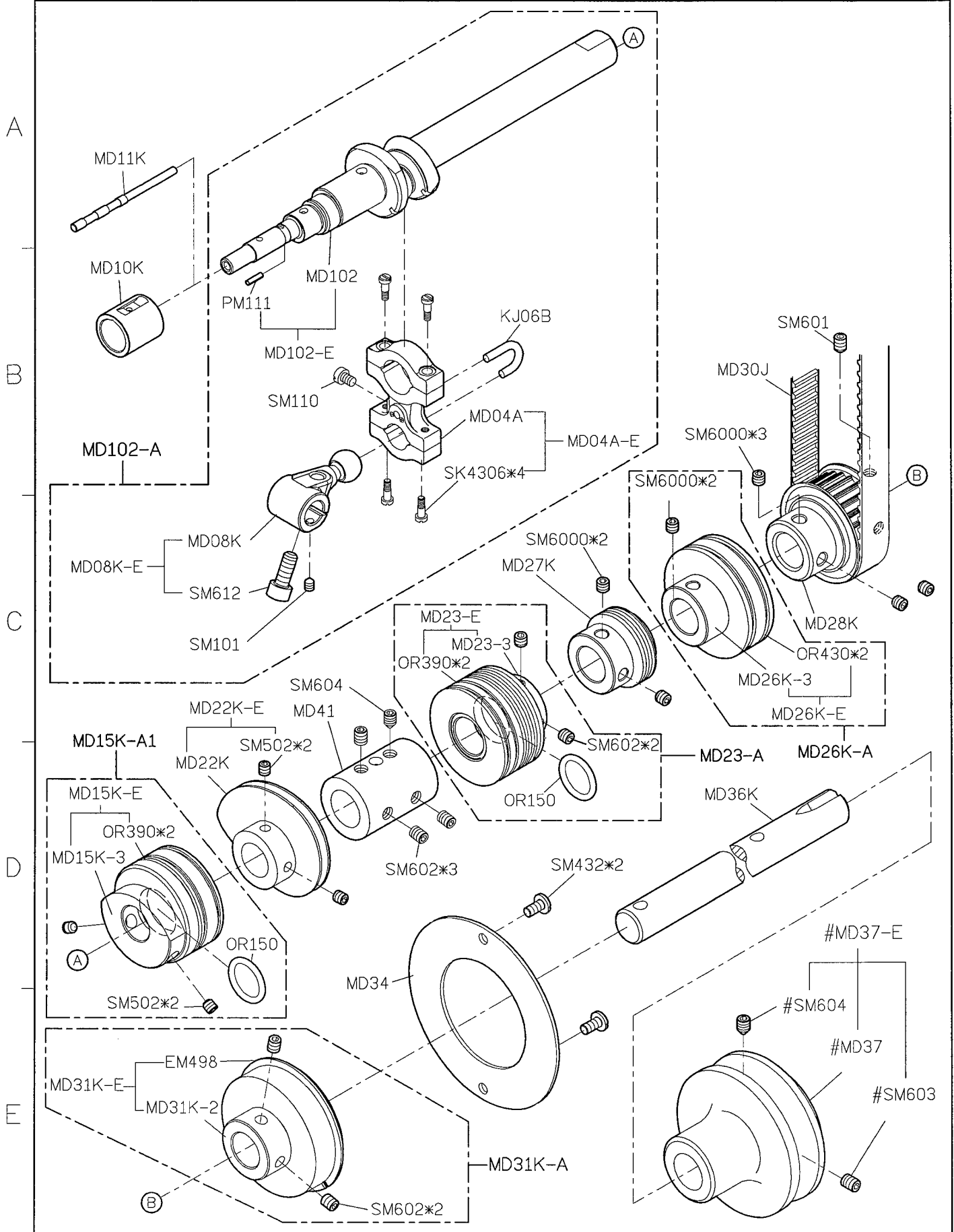


1 2 3 4 5

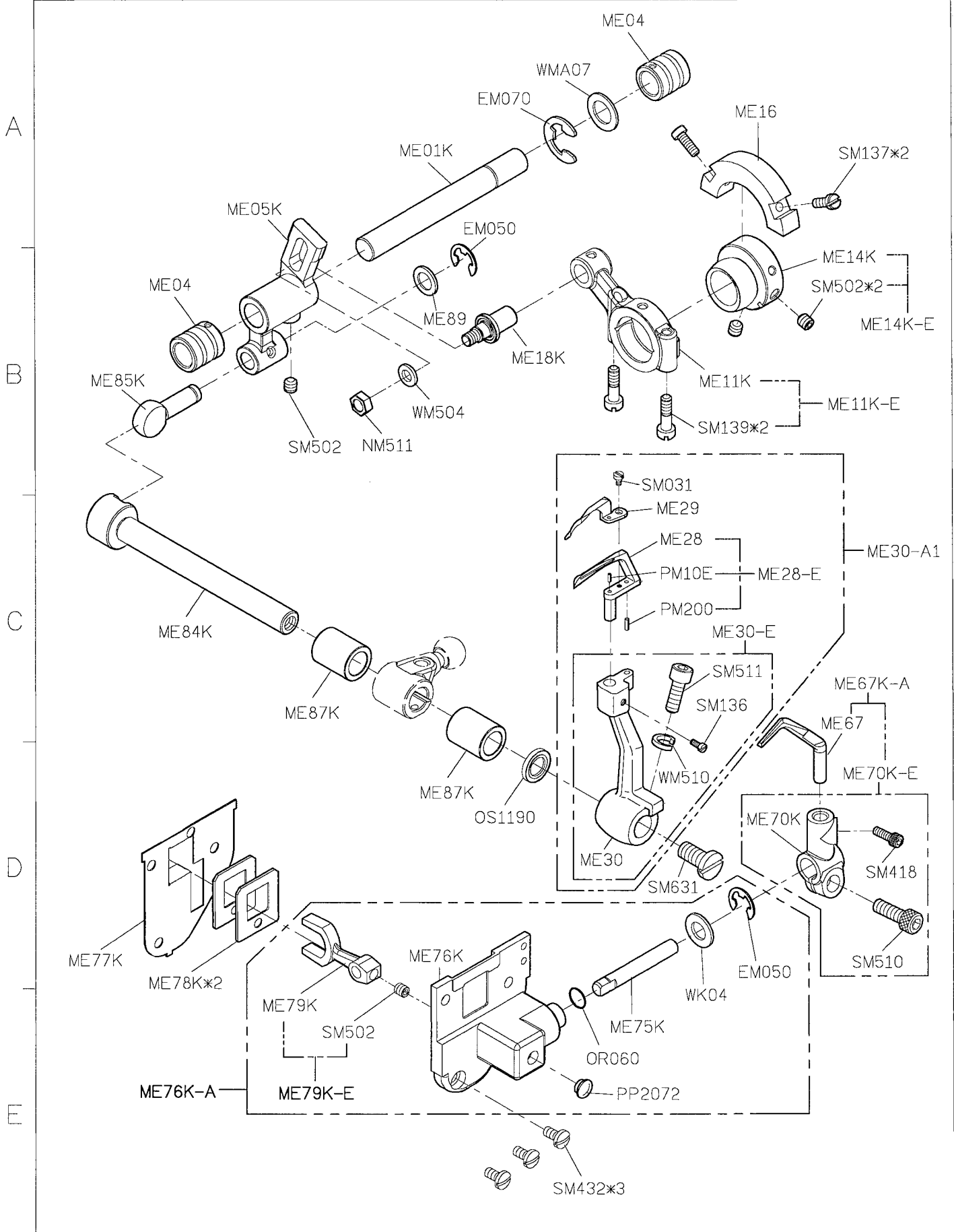
SIRUBA PARTS LIST	Series	Parts Group	Subclass / Remark	Page
	F007K/F007K F858K	MC-K		2/2
				Date
				2016/9/6



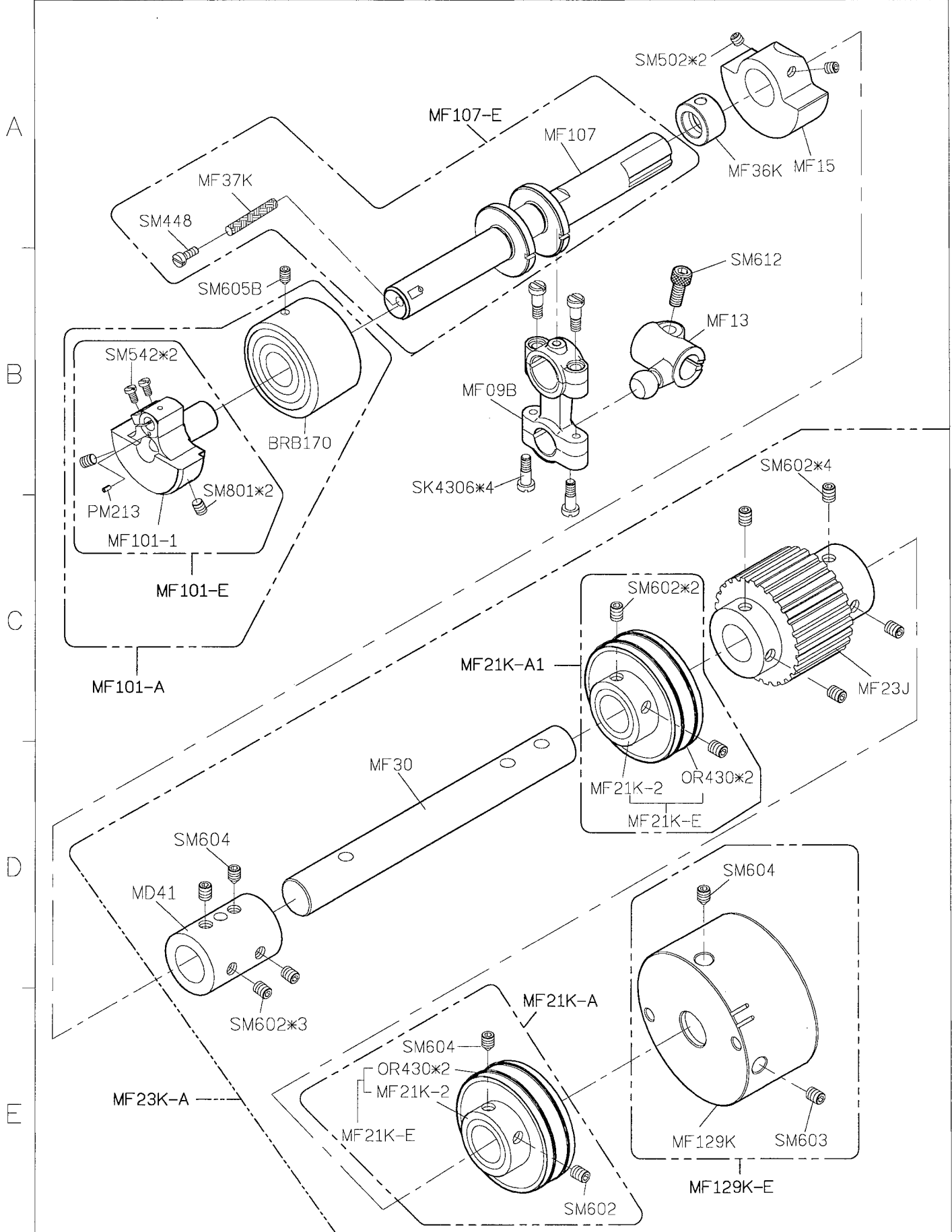
SIRUBA PARTS LIST	Series	Parts Group	Subclass / Remark	Page
	F007K/F007KD F858K	MD-K	#: Use for F007K/F858K	1/1
				Date 2016/9/6



SIRUBA PARTS LIST	Series	Parts Group	Subclass / Remark	Page
	F007K/F007KD	ME-K		1/1
	F858K			Date
				2016/9/6

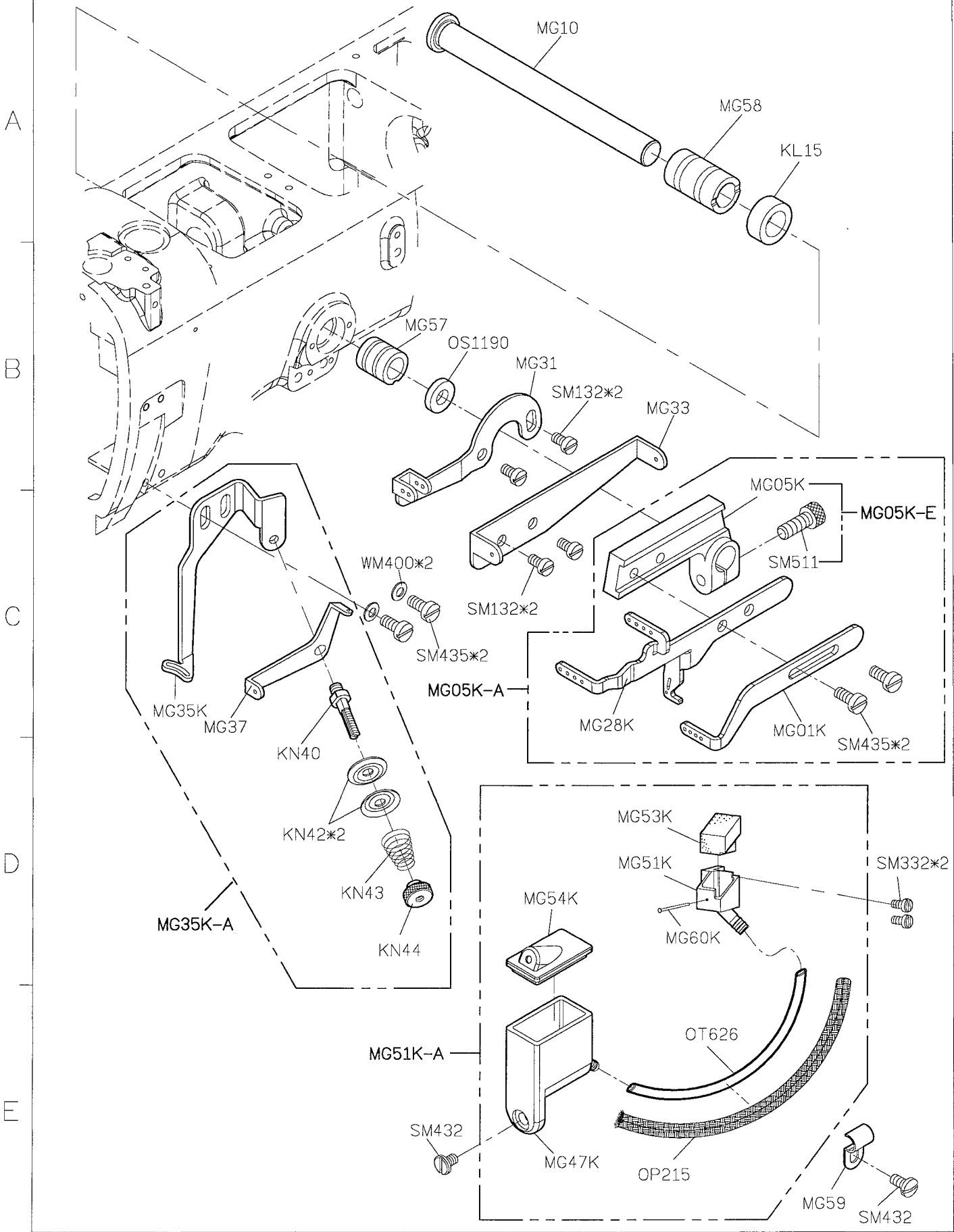


SIRUBA PARTS LIST	Series	Parts Group	Subclass / Remark	Page
	F007K/F007KD F858K	MF-K		1/1
				Date
				2016/8/31



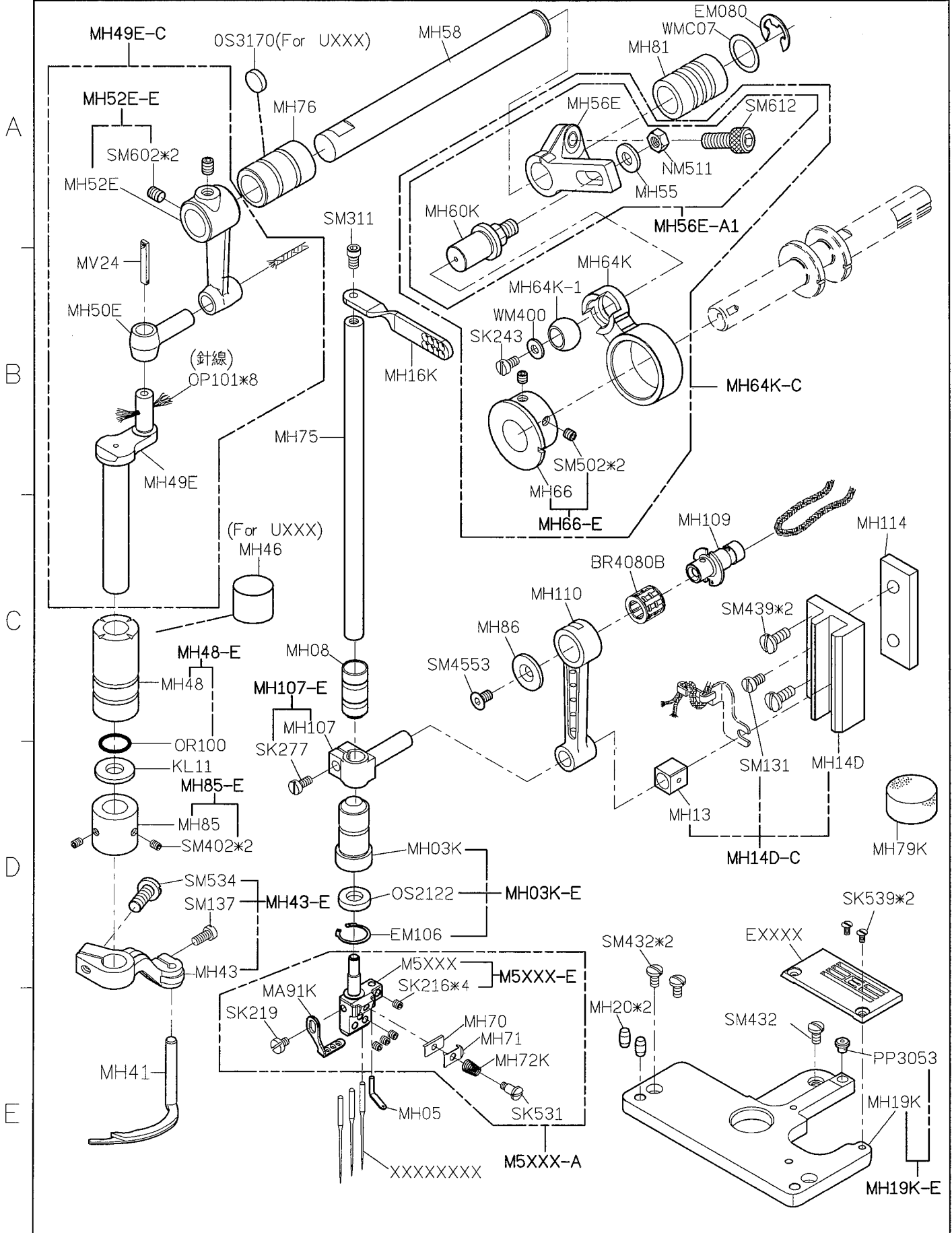
1 2 3 4 5

SIRUBA PARTS LIST	Series	Parts Group	Subclass / Remark	Page
	F007K/F007KD	MG-K		1/1
	F858K			Date
				2016/9/6

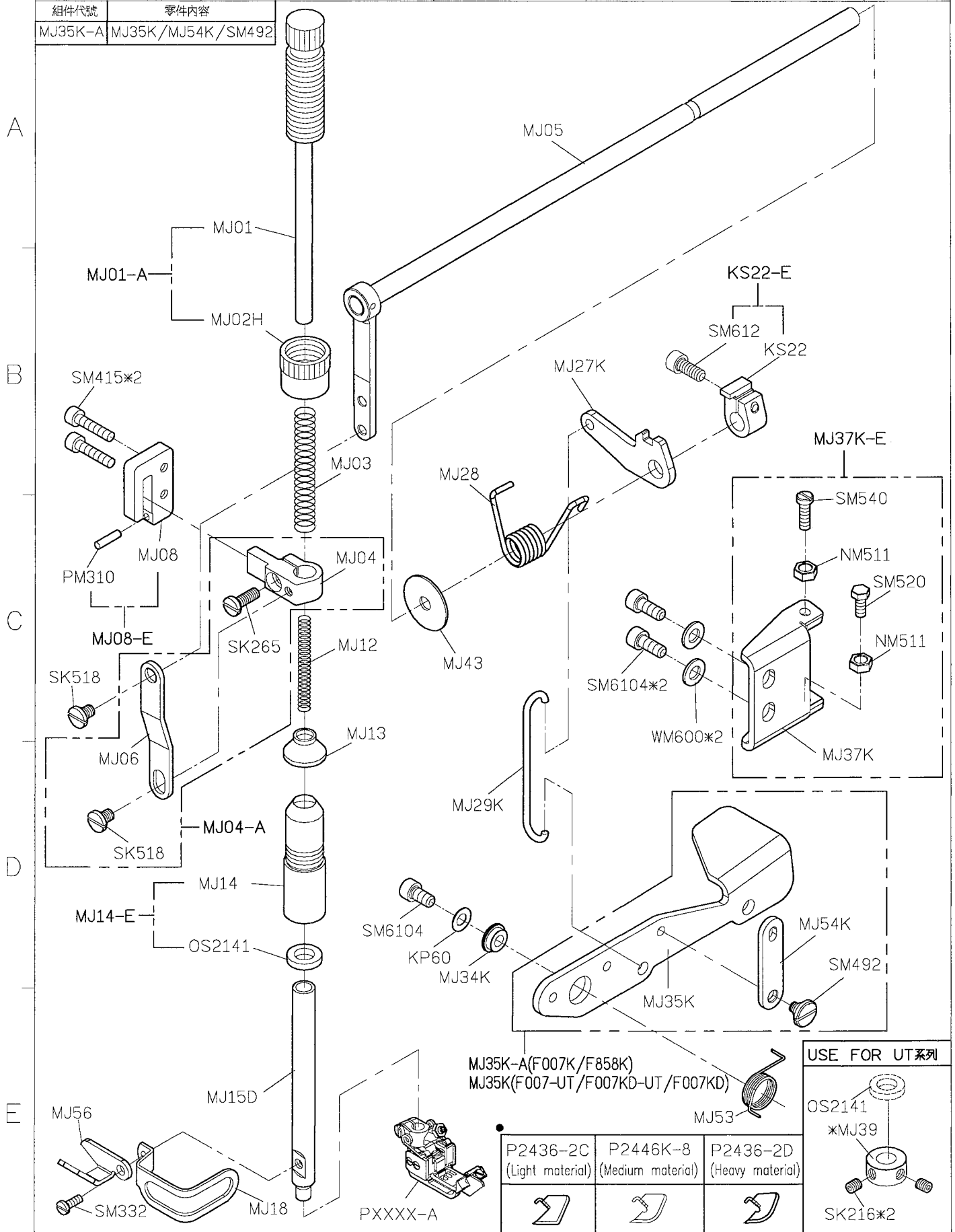


1 2 3 4 5

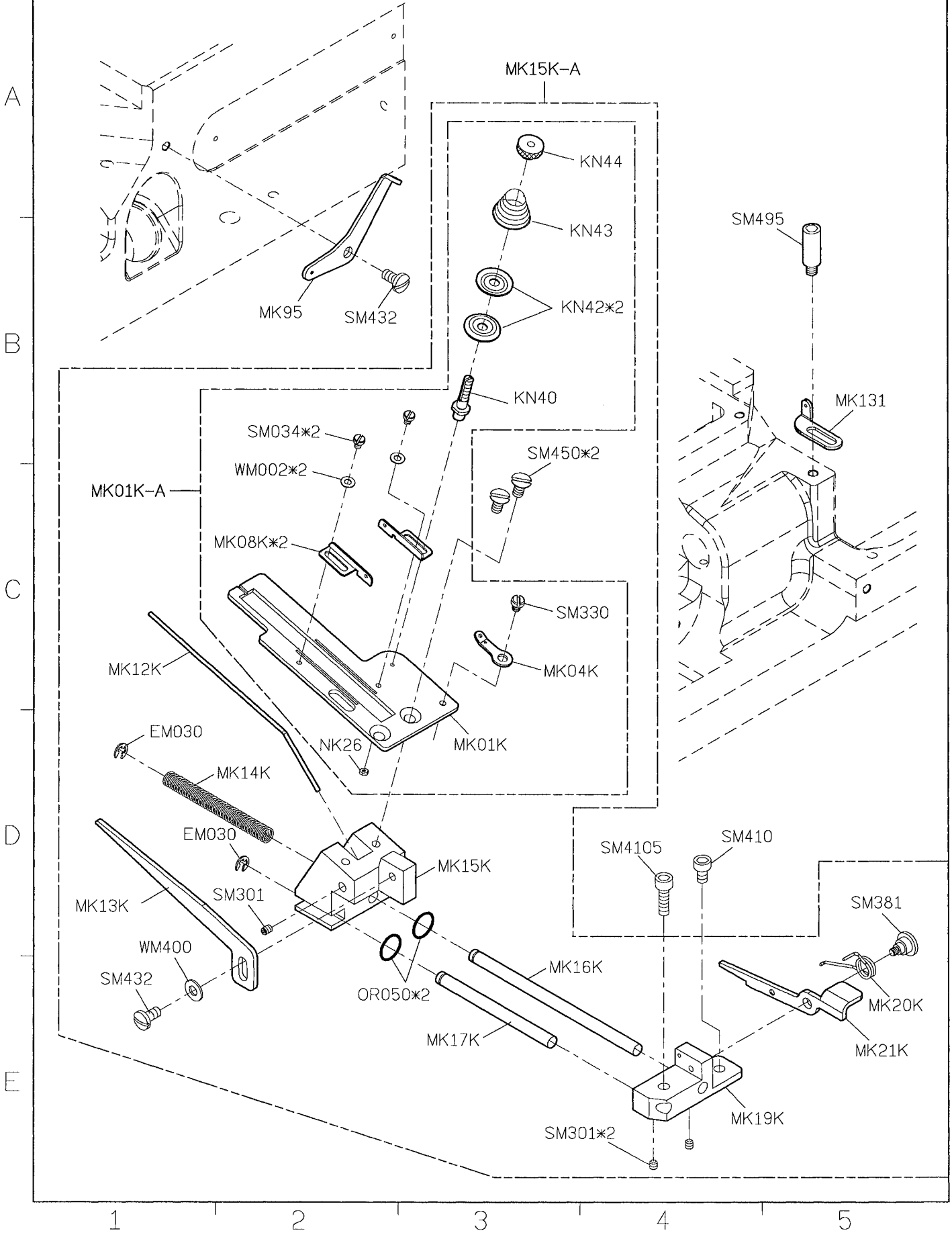
SIRUBA PARTS LIST	Series	Parts Group	Subclass / Remark	Page
	F007K/F007KD F858K	MH-K		1/1
				Date
				2016/9/6



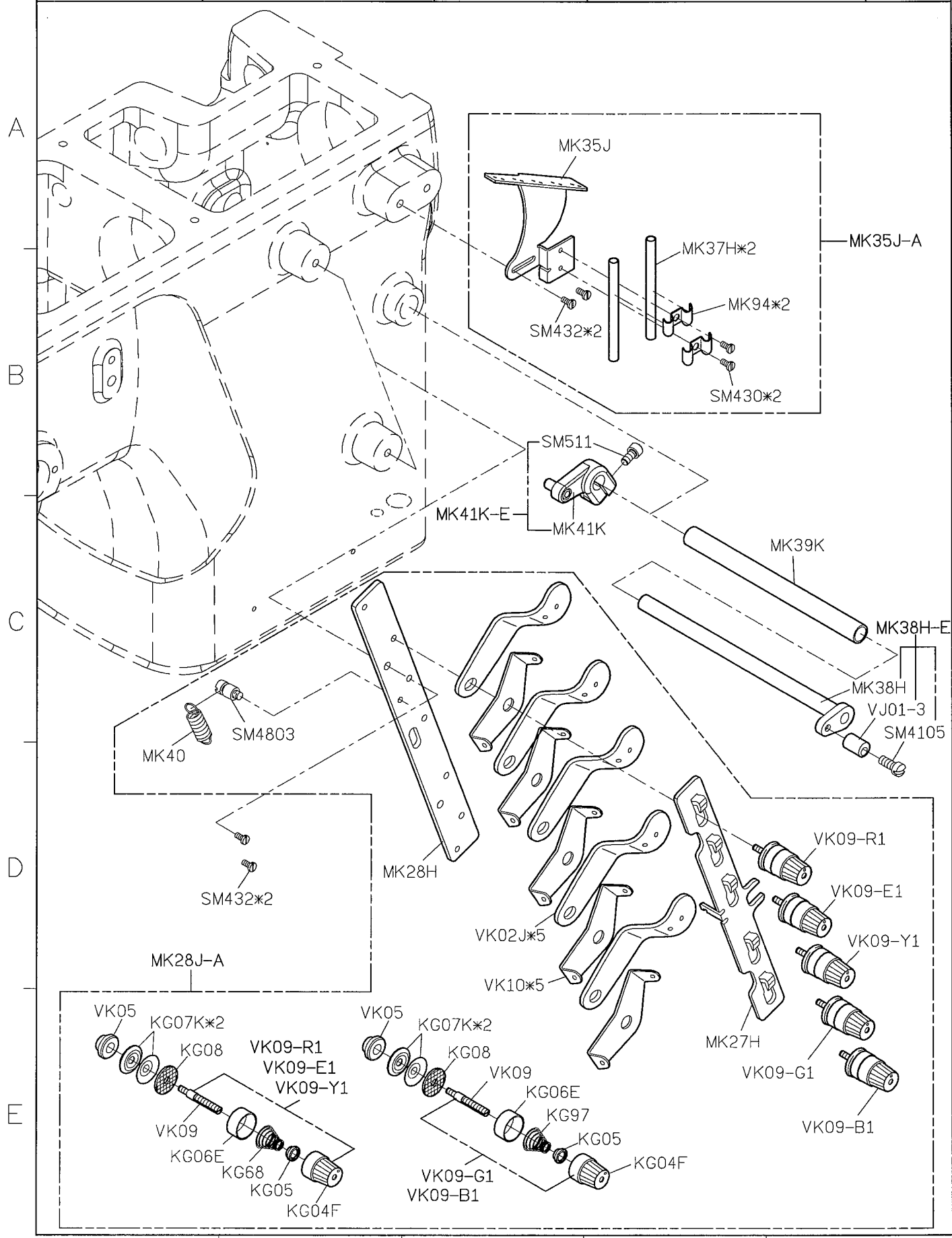
組件代號	零件內容
MJ35K-A	MJ35K/MJ54K/SM492



SIRUBA PARTS LIST	Series	Parts Group	Subclass / Remark	Page
	F007K/F007KD F858K	MK-K		1/2
				Date 2016/9/6

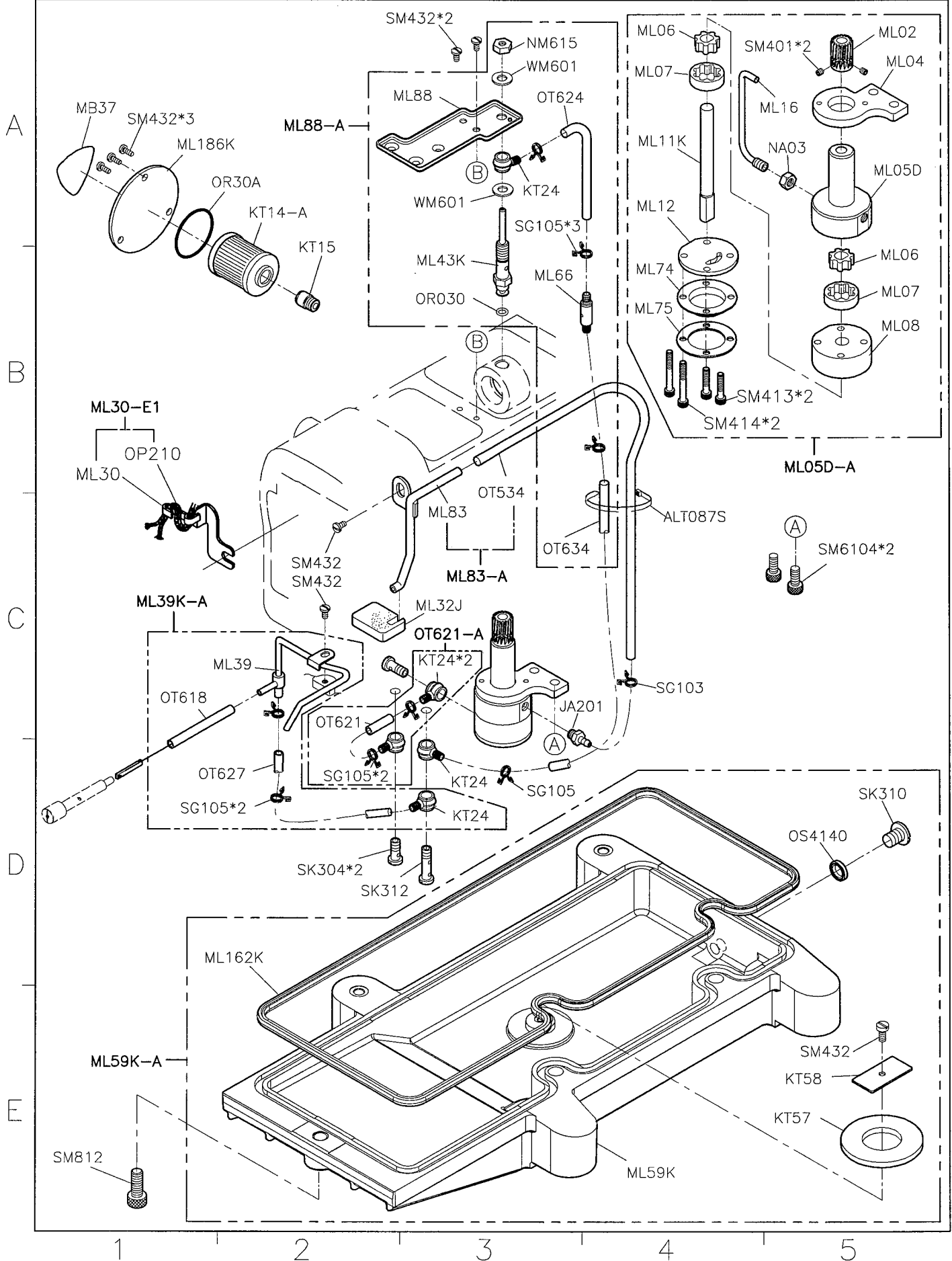


SIRUBA PARTS LIST	Series	Parts Group	Subclass / Remark	Page
	F007K/F007KD F858K	MK-K		2/2
				Date
				2016/9/6



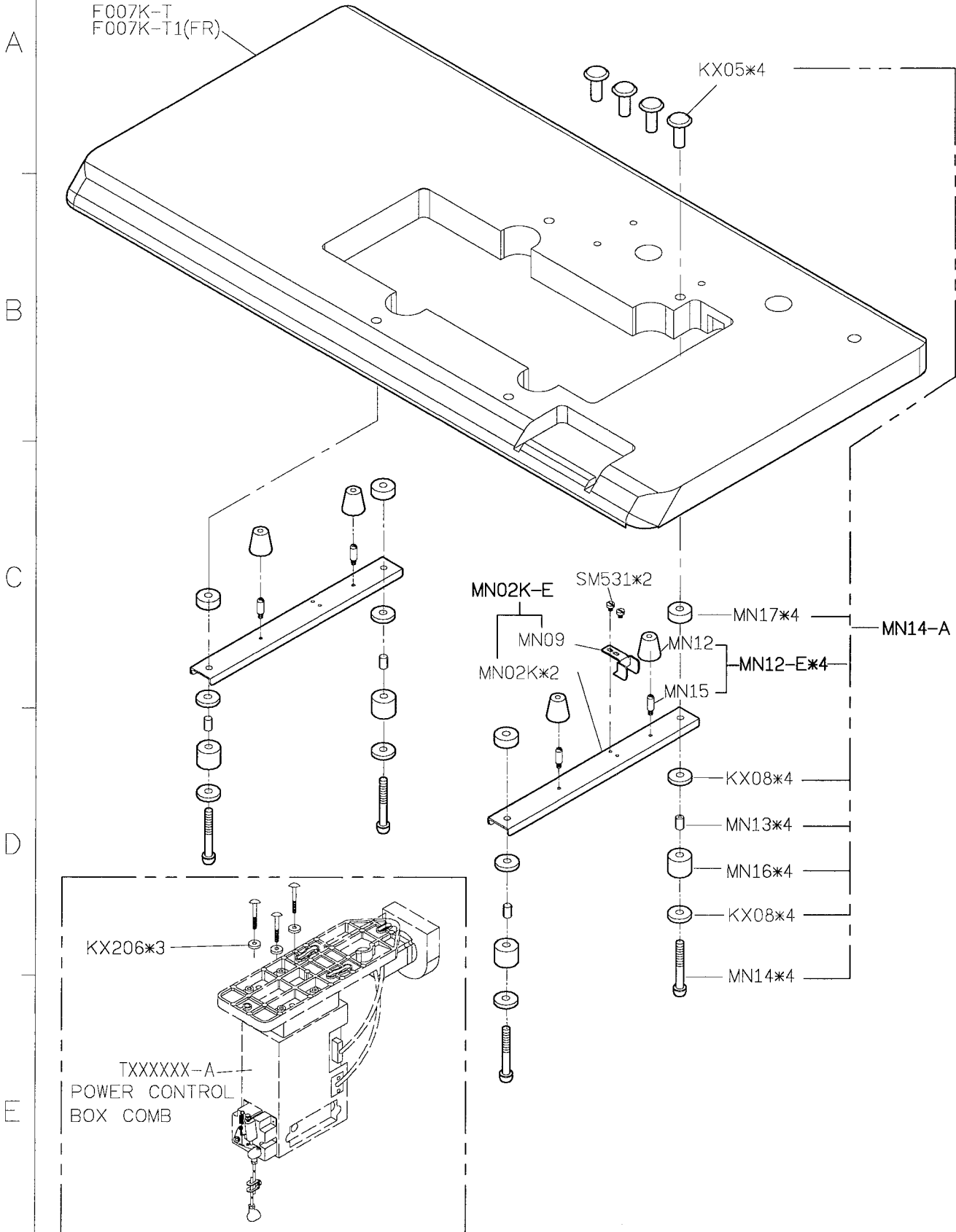
1 2 3 4 5

SIRUBA PARTS LIST	Series	Parts Group	Subclass / Remark	Page
	F007K/F007KD F858K	ML-K		1/1
				Date
				2016/9/6

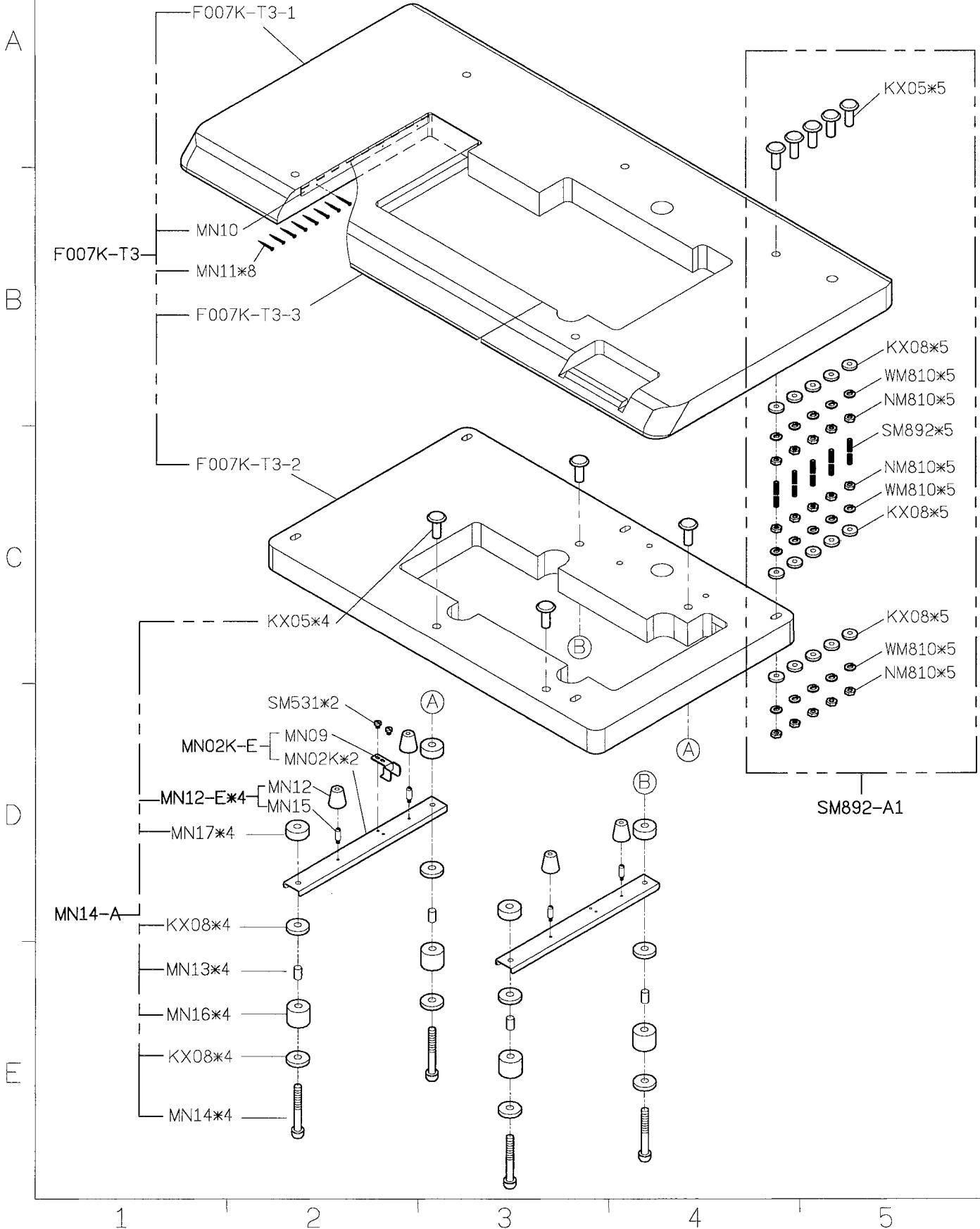


SIRUBA PARTS LIST	Series	Parts Group	Subclass / Remark	Page
	F007K/F007KD F858K	MN-K		1/2
				Date
				2016/9/6

Semi-submerged



Fully-submerged



SIRUBA PARTS LIST	Series	Parts Group	Subclass / Remark	Page
	F007K/F007KD F858K	MY-K		1/1
				Date
				2016/9/6

A

MY01 KY03 KY04 KY05-A KY23-A KY23(6/7mm) KY09

B

MY10-A MY09 KY10 MY10 MY11 MY12 KY11 KY14 LY33-A LY33 LY34

C

KY18 KY20D-A MY21-E KY21-1*2 MY21 KY201

D

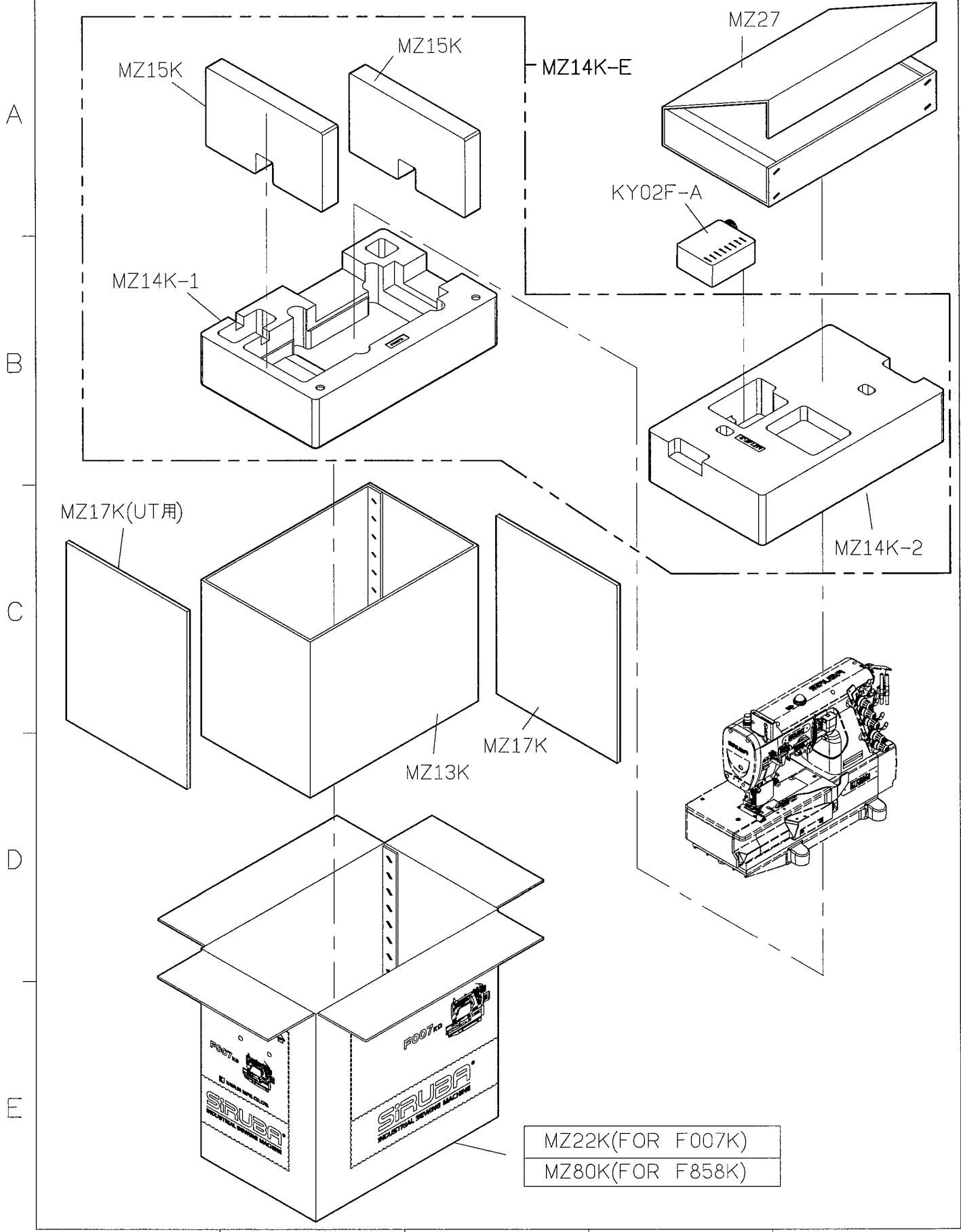
KZ03 KT14-A UYX128GAS#10*5 FR40K 加裝FR時用

E

MY42K Instruction book (使用説明書) MY43K Parts list (零件圖) MY44K (UT973K) Special mechanism (特殊件零件圖)

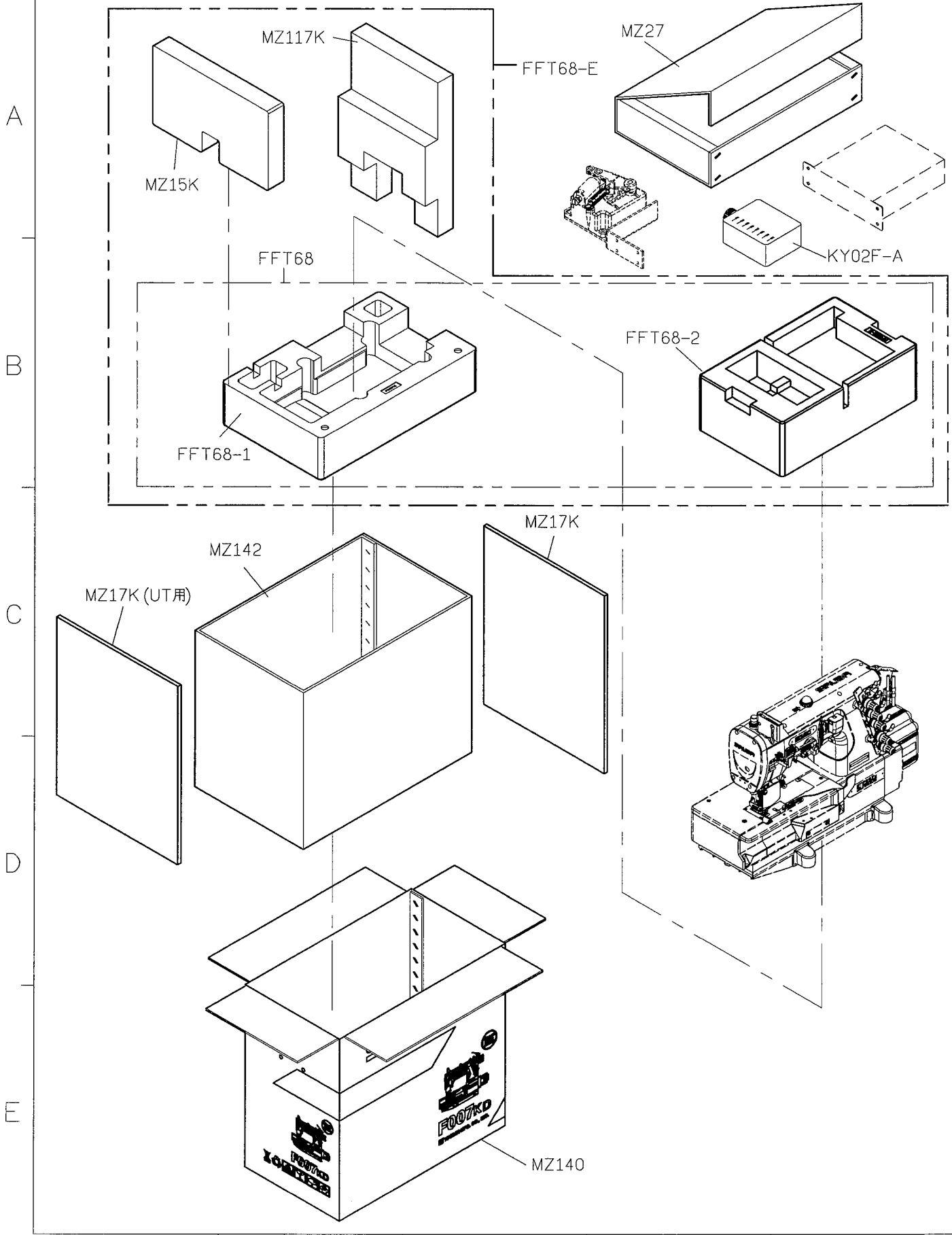
Parts list	
Basic mechanism	MY43K
Special mechanism	MY43K MY44K
UTK/UTH UTG/UTJ	MY43K UT973K
Special mechanism + UTK/UTH UTG/UTJ	MY43K MY44K UT973K

SIRUBA PARTS LIST	Series	Parts Group	Subclass / Remark	Page
	F007K/F007KD F858K	MZ-K		1/2
				Date
				2016/9/6

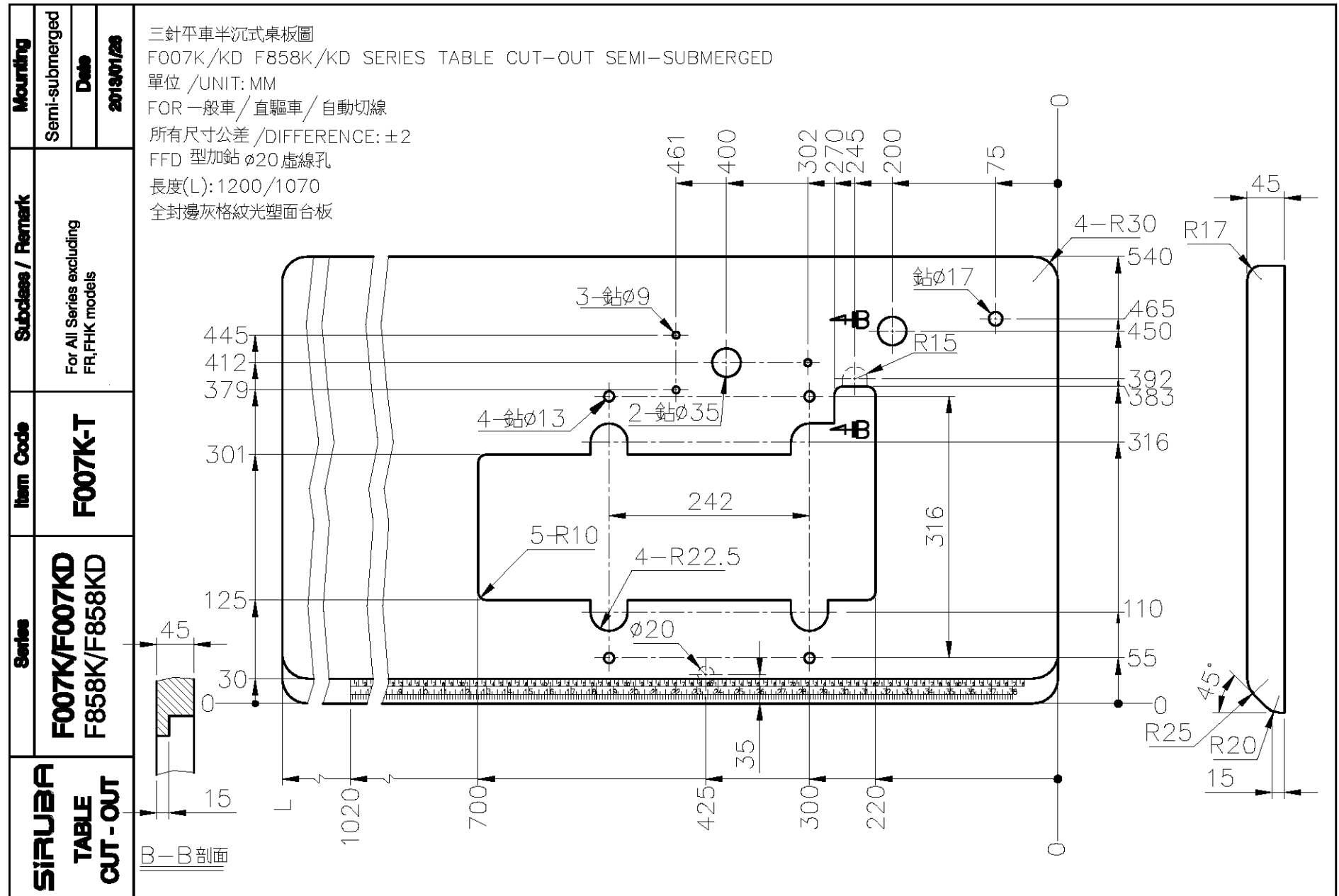


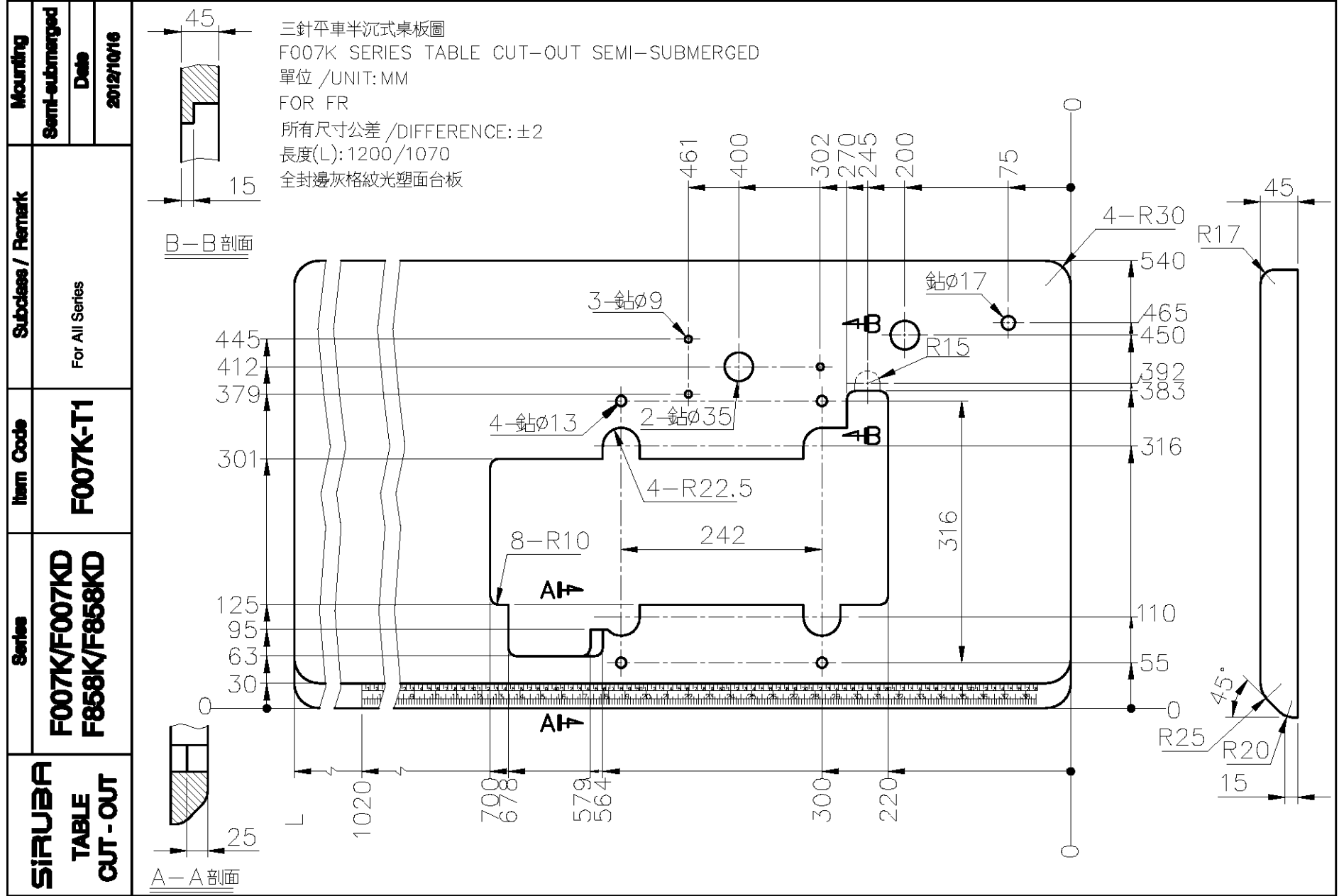
1 2 3 4 5

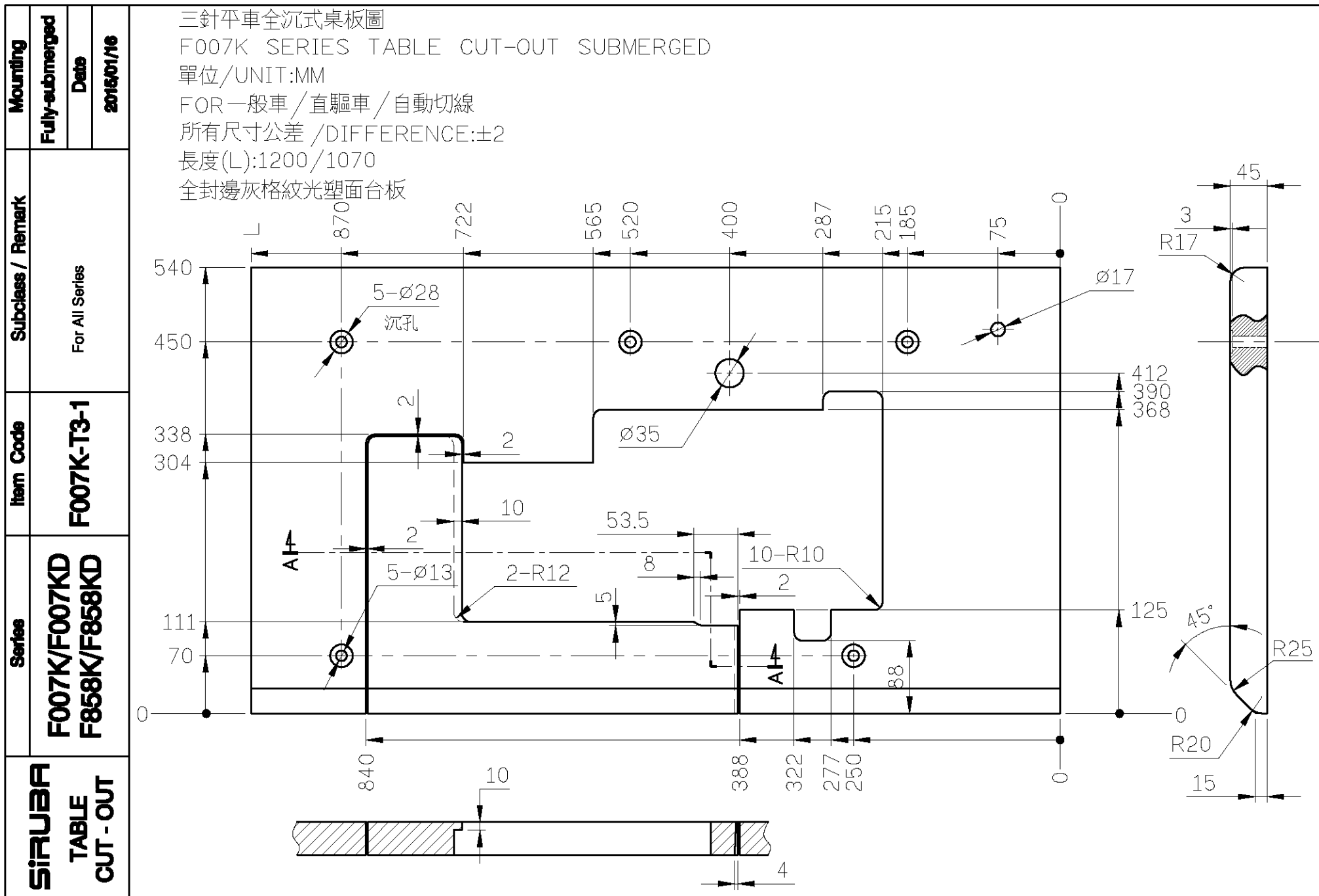
SIRUBA PARTS LIST	Series	Parts Group	Subclass / Remark	Page
	F007K/F007KD	MZ-K	For Direct-Drive Motor	2/2
				Date
				2016/9/6



1 2 3 4 5

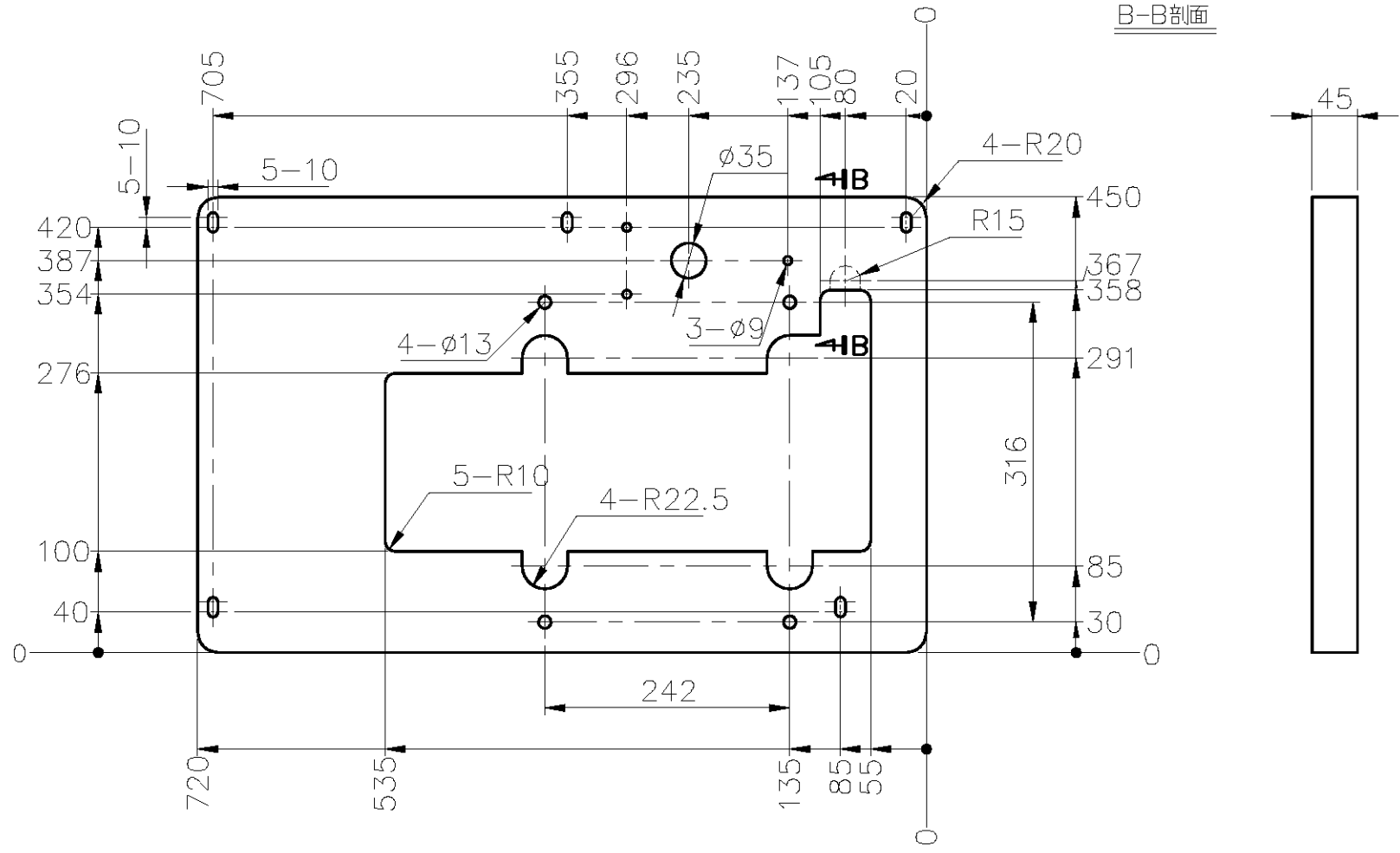






SIRUBA TABLE CUT - OUT	Series	F007K/F007KD F858K/F858KD	Item Code	F007K-T3-2	Subclass / Remark For All Series	Mounting Fully-submerged Date 2013/01/26	

三針平車全沉式桌板圖
 F007K SERIES TABLE CUT-OUT SUBMERGED
 單位/UNIT:MM
 FOR一般車/直驅車/自動切線
 所有尺寸公差 /DIFFERENCE:±2
 全封邊灰格紋光塑面台板



SIRUBA TABLE CUT - OUT	Series	Item Code	Subclass / Remark	Mounting
	F007K/F007KD F858K/F858KD	F007K-T3-3	For All Series	Fully-submerged
				Date
				2013/01/26

三針平車全沉式桌板圖
 F007K SERIES TABLE CUT-OUT SUBMERGED
 單位/UNIT:MM
 FOR一般車 / 直驅車 / 自動切線
 所有尺寸公差 / DIFFERENCE:±2
 全封邊灰格紋光塑面台板

