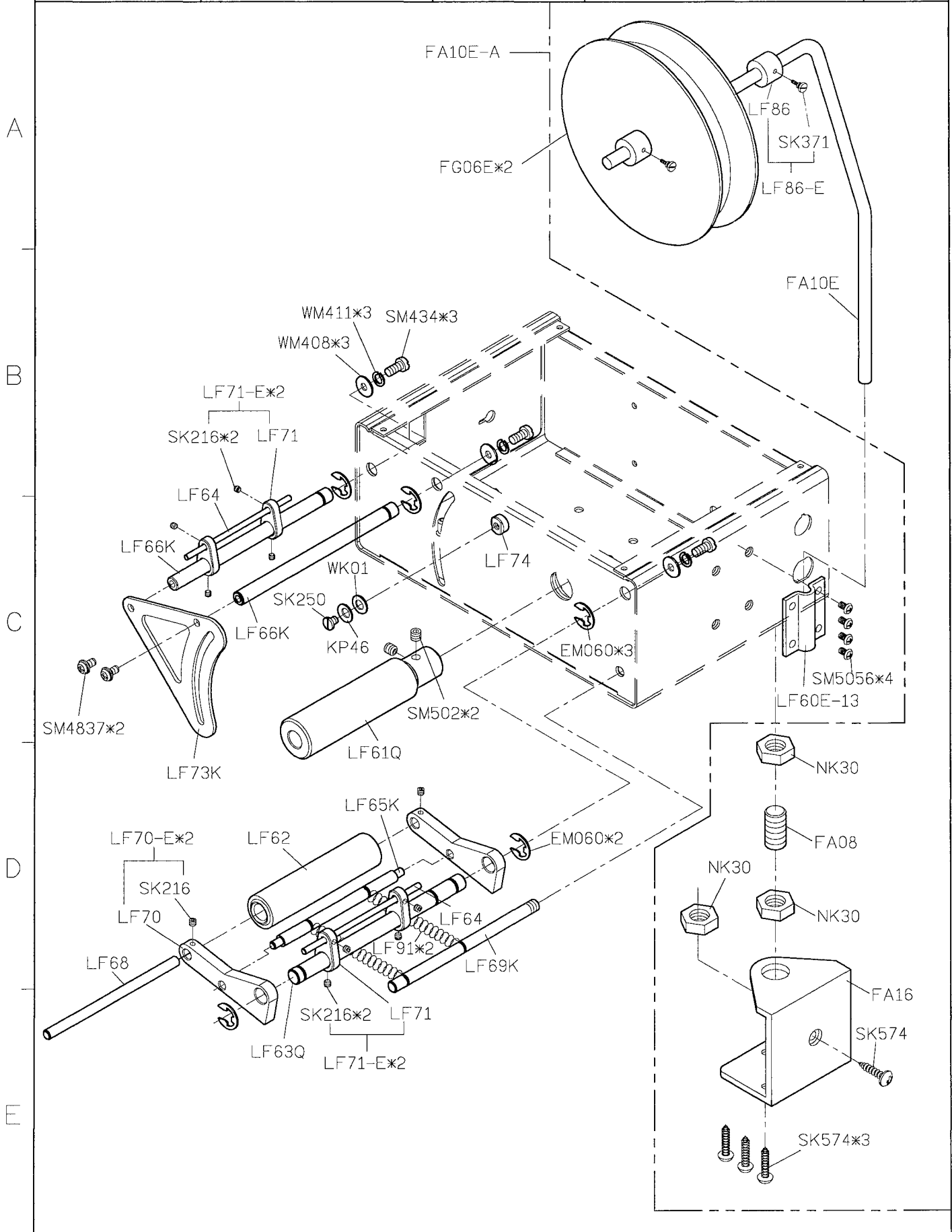
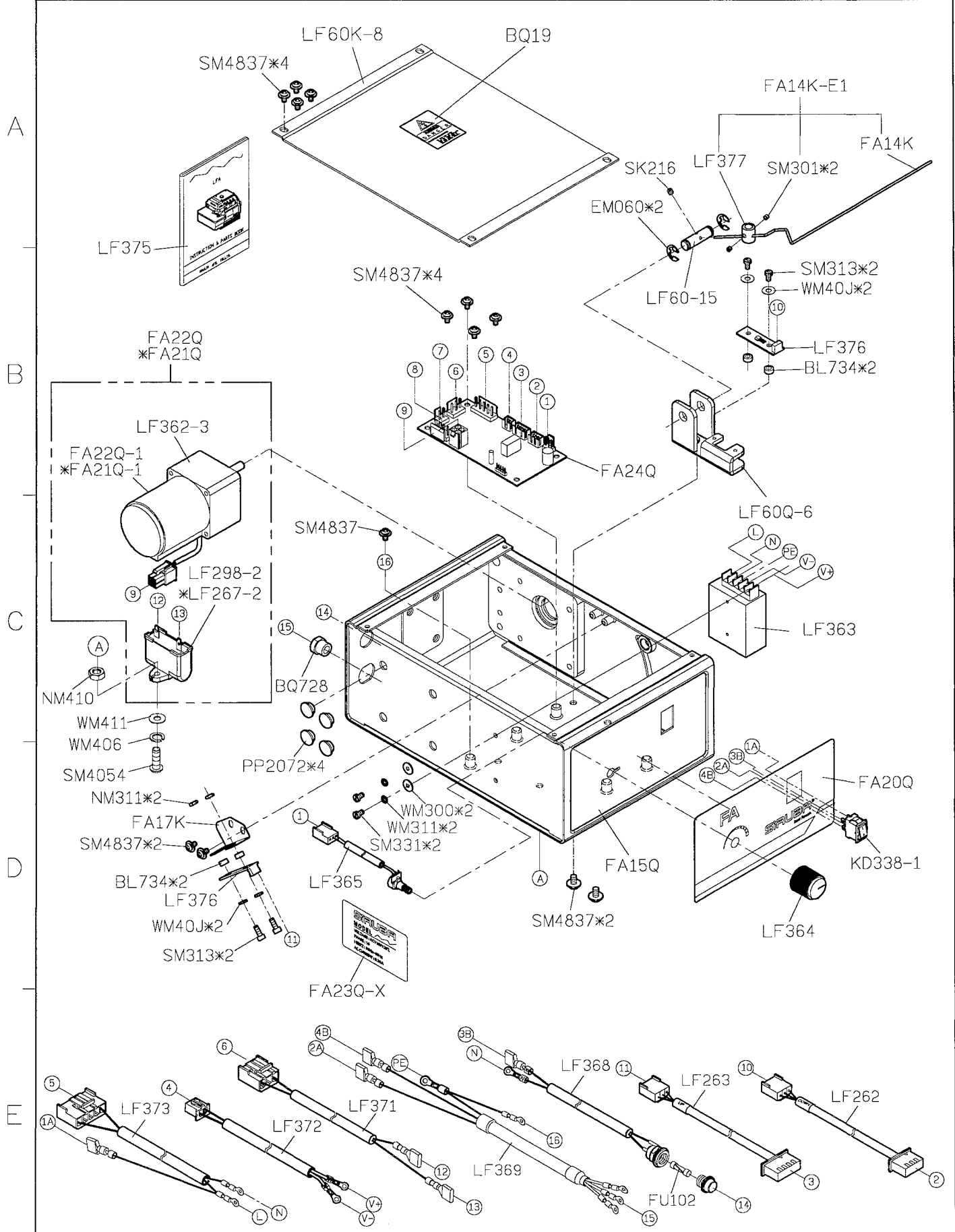


| SIRUBA PARTS LIST | Series | Parts Group | Subclass / Remark | Page |
|----------------------|--------------|-------------|-------------------|----------|
| | F007K/F007KD | FA | | 1/3 |
| | F858K | | | Date |
| | | | | 2016/9/5 |

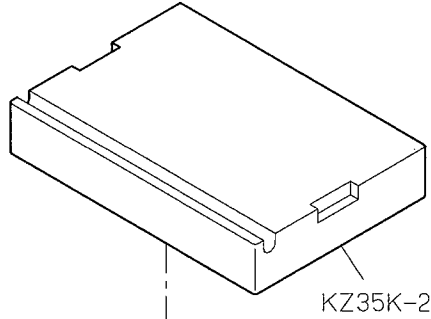


| | | | | |
|-----------------------------|-----------------------|-------------|-------------------|----------|
| SIRUBA PARTS LIST | Series | Parts Group | Subclass / Remark | Page |
| | F007K/F007KD F858K | FA | *: Use for 110V | 2/3 |
| | | | | Date |
| | | | | 2016/9/5 |



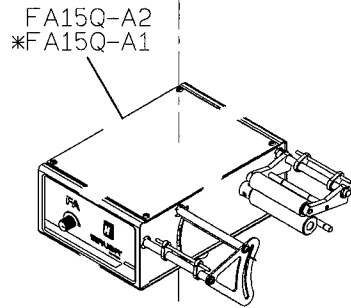
| SIRUBA PARTS LIST | Series | Parts Group | Subclass / Remark | Page |
|----------------------|-----------------------|-------------|-------------------|------------------|
| | F007K/F007KD F858K | FA | *:Use for 110V | 3/3 |
| | | | | Date 2016/9/5 |

A



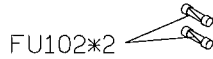
KZ35K-2

B



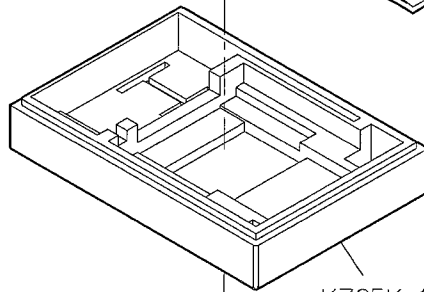
FA15Q-A2
*FA15Q-A1

KZ03



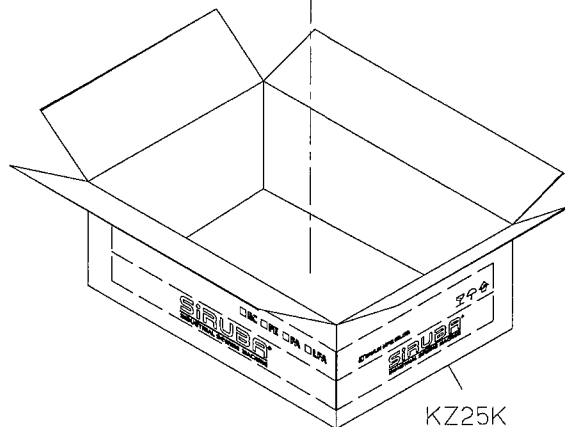
FU102*2

C



KZ35K-1

D



KZ25K

E

* FOR 110V

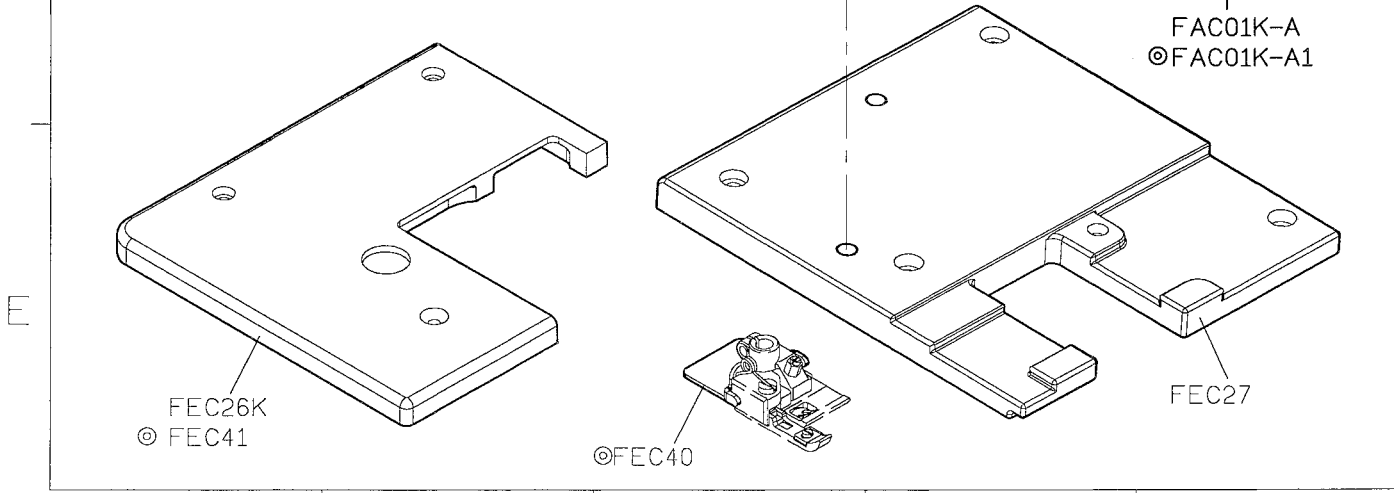
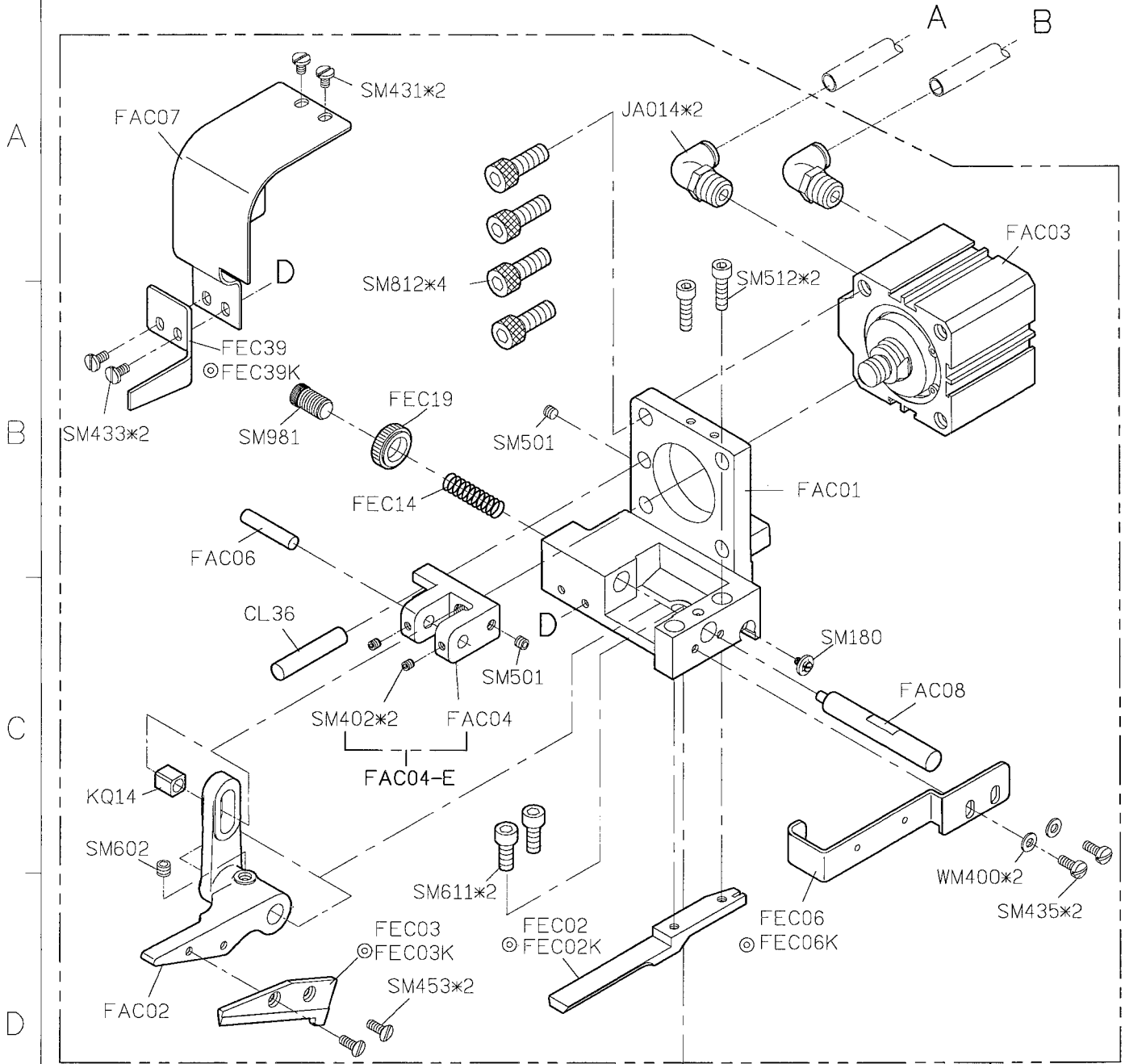
1

2

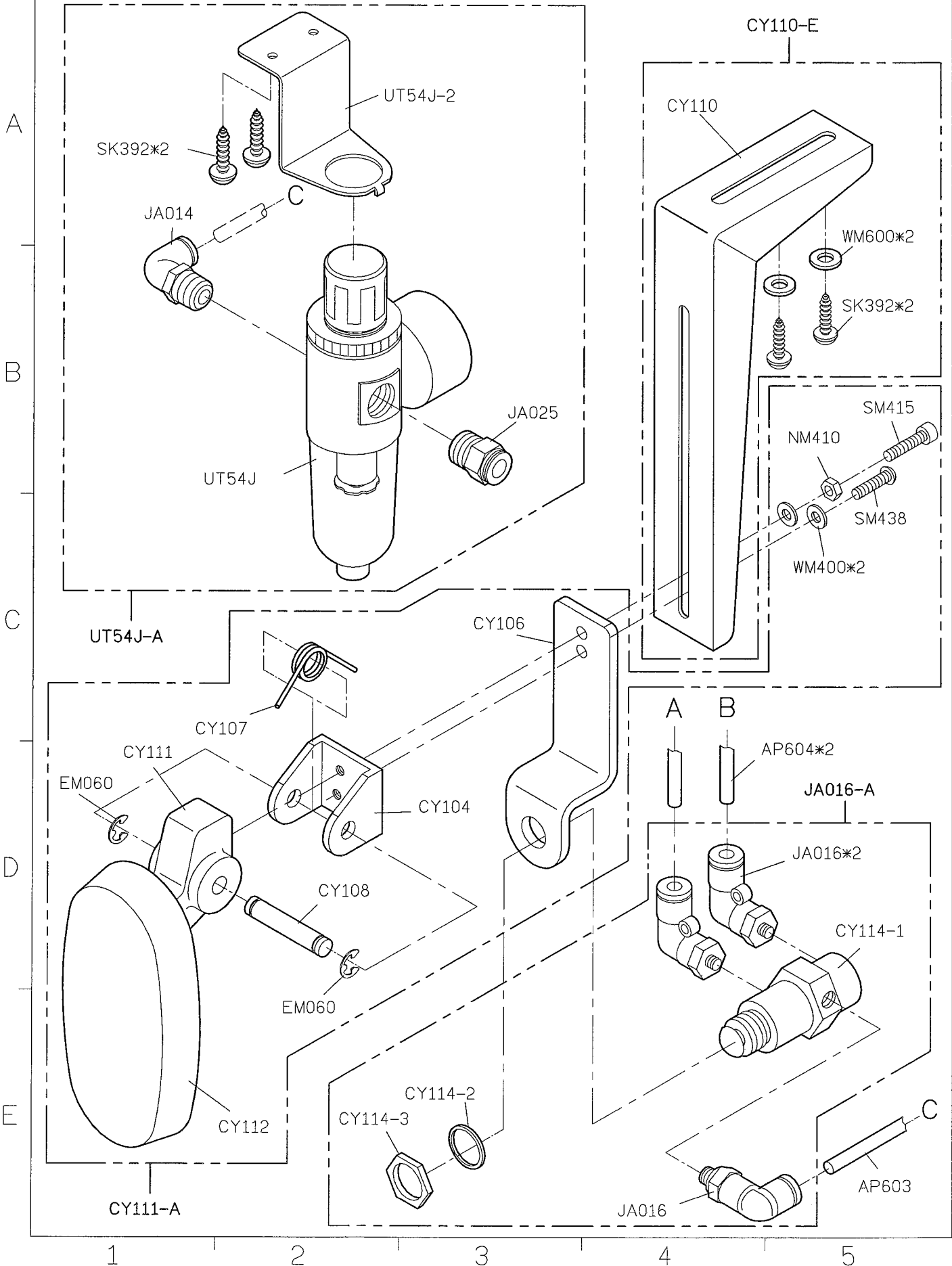
3

4

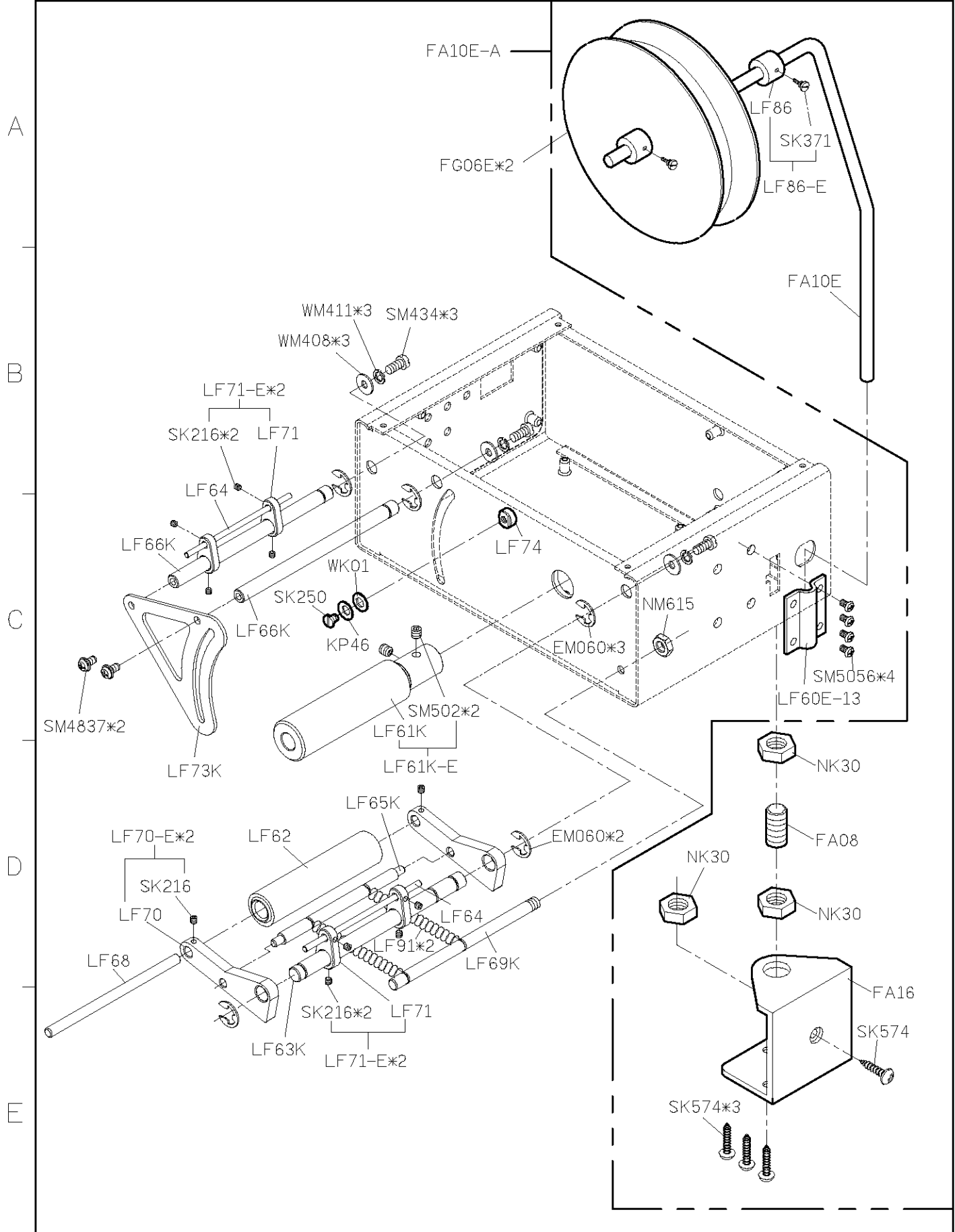
5



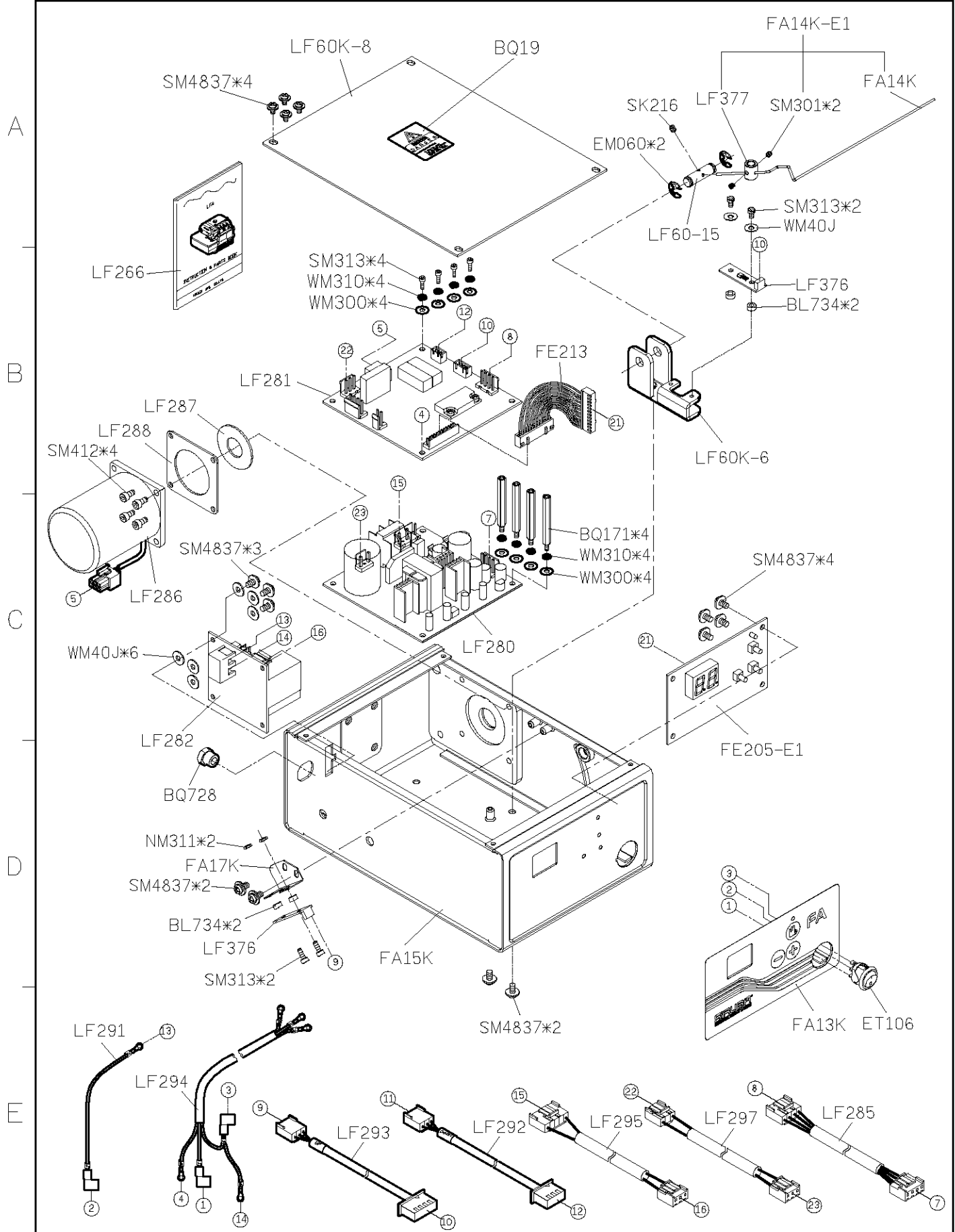
| | | | | |
|-----------------------------|-----------------------|--------------|-------------------|----------|
| SIRUBA PARTS LIST | Series | Parts Group | Subclass / Remark | Page |
| | F007K/F007KD F858K | FAC-K | | 2/2 |
| | | | | Date |
| | | | | 2016/9/5 |



| SIRUBA PARTS LIST | Series | Parts Group | Subclass / Remark | Page |
|----------------------|--------------|-------------|-------------------|------------|
| | F007K/F007KD | FAK | | 1/3 |
| | F858K/F858KD | | | Date |
| | | | | 2013/03/25 |



| | | | | |
|------------------------------------|--------------|-------------|-------------------|------------|
| SIRUBA PARTS LIST | Series | Parts Group | Subclass / Remark | Page |
| | F007K/F007KD | FAK | | 2/3 |
| | F858K/F858KD | | | Date |
| | | | | 2013/03/25 |



| SIRUBA PARTS LIST | Series | Parts Group | Subclass / Remark | Page |
|----------------------|--------------|-------------|-------------------|------------|
| | F007K/F007KD | FAK | | 3/3 |
| | F858K/F858KD | | | Date |
| | | | | 2013/03/25 |

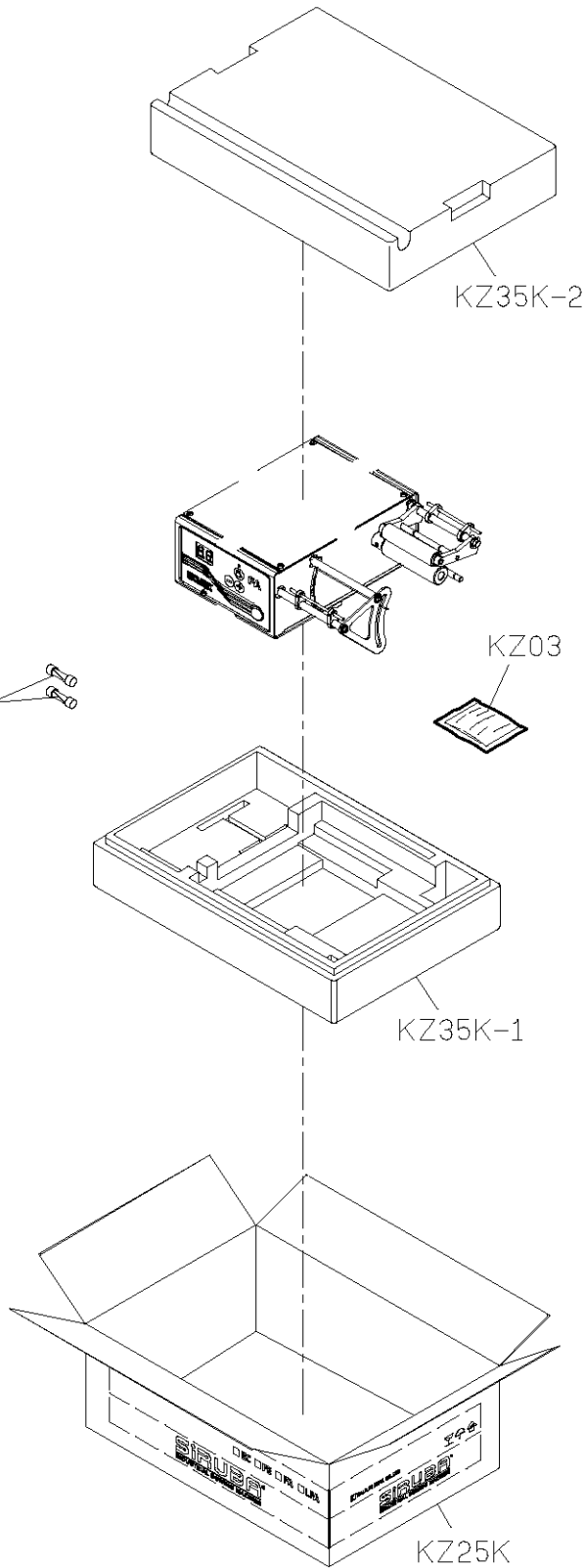
A

B

C

D

E



| | | | | |
|-----------------------------|-----------------------|--------------|-------------------|----------|
| SIRUBA PARTS LIST | Series | Parts Group | Subclass / Remark | Page |
| | F007K/F007KD F858K | FBP-K | | 1/1 |
| | | | | Date |
| | | | | 2016/9/5 |

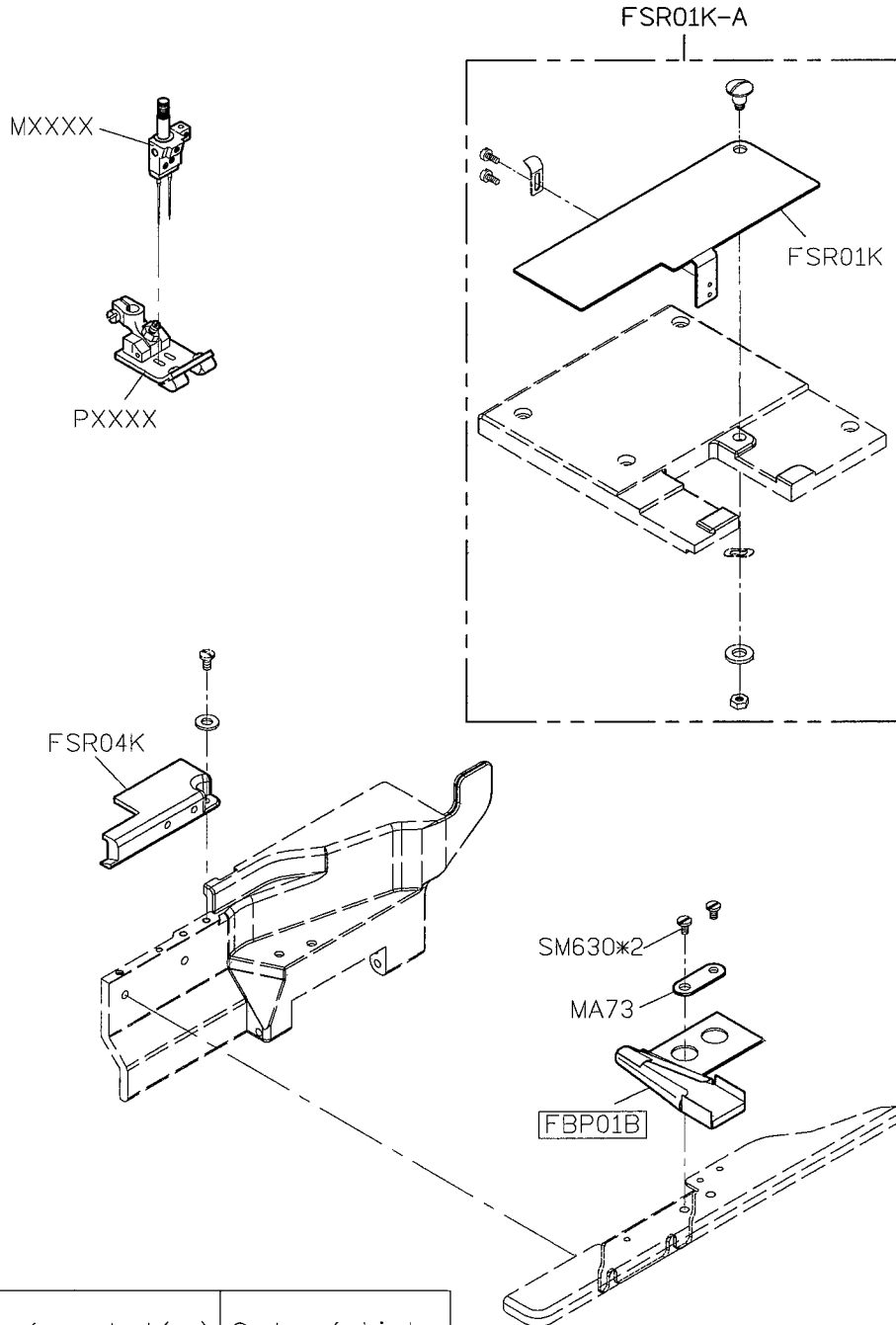
A

B

C

D

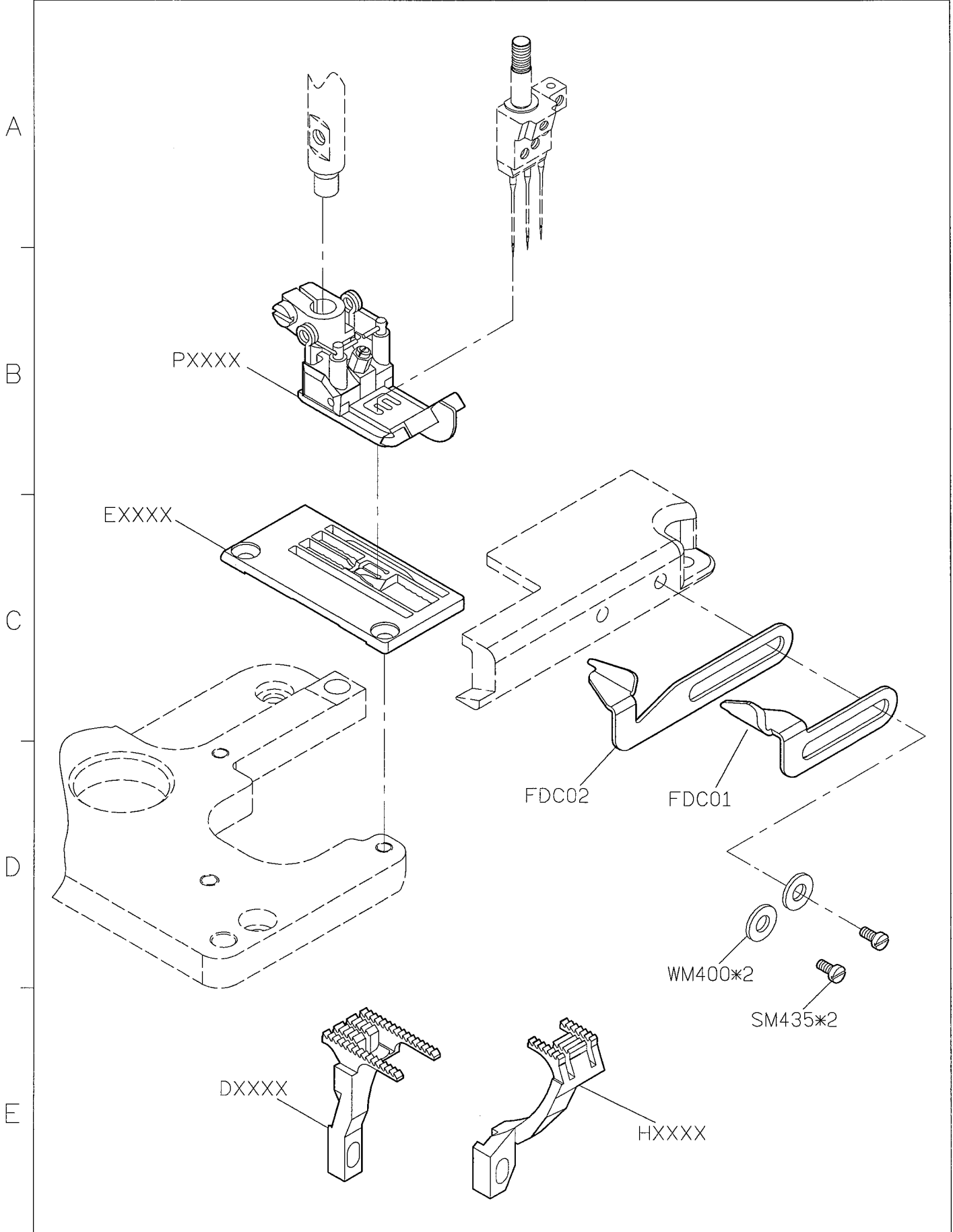
E



| Stitch length | Size of product(mm) | Code of binder |
|---------------|---------------------|----------------|
| 5.6 | 9 | FBP01A |
| 5.6 | 10 | FBP01B |
| 6.4 | 12 | FBP01C |

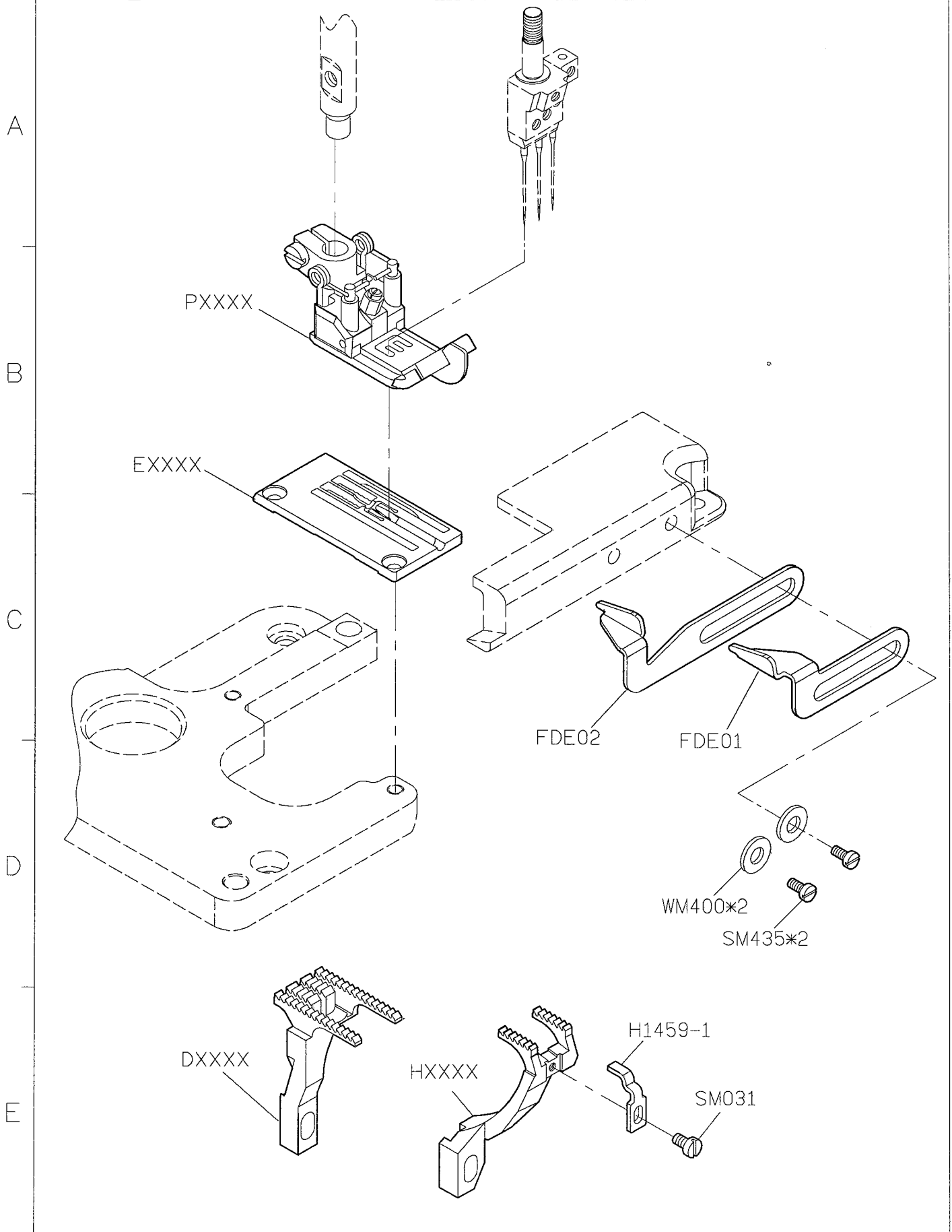
1 2 3 4 5

| | | | | |
|-----------------------------|-----------------------|--------------|-------------------|----------|
| SIRUBA PARTS LIST | Series | Parts Group | Subclass / Remark | Page |
| | F007K/F007KD F858K | FDC-K | | 1/1 |
| | | | | Date |
| | | | | 2016/9/5 |



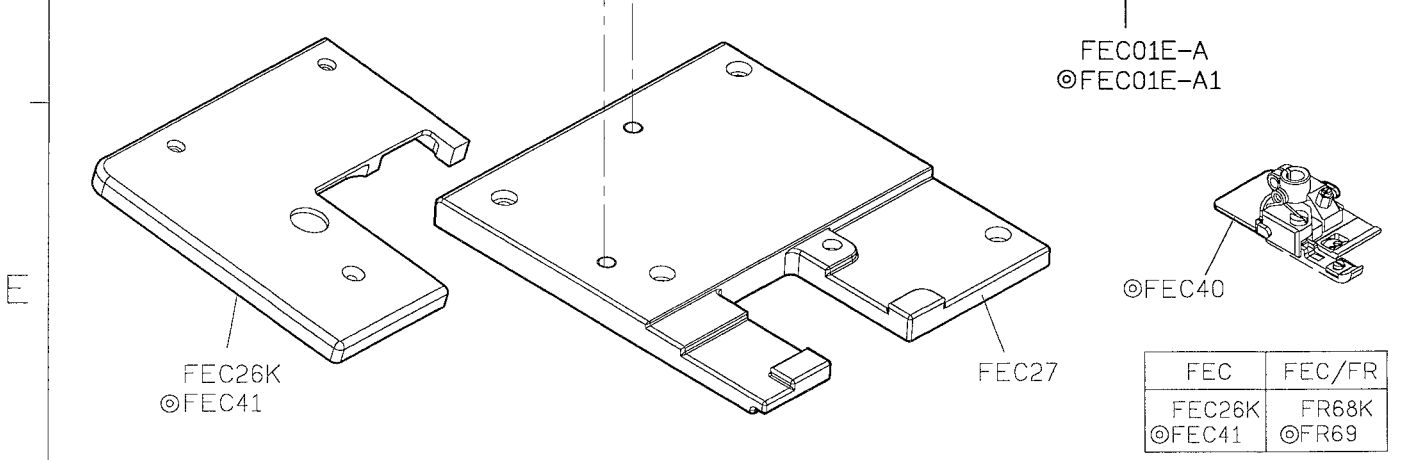
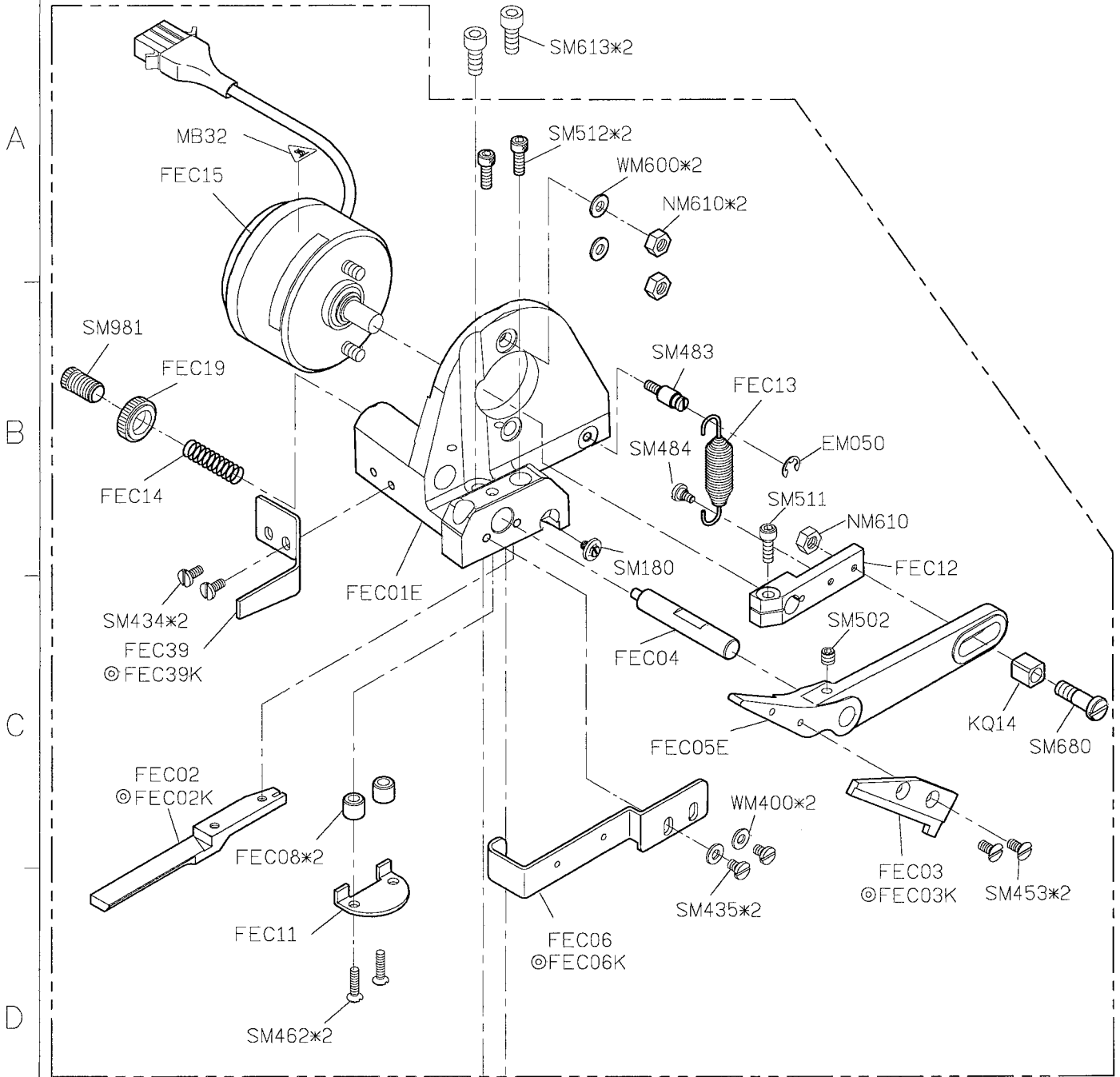
1 2 3 4 5

| | | | | |
|-----------------------------|-----------------------|--------------|-------------------|----------|
| SIRUBA PARTS LIST | Series | Parts Group | Subclass / Remark | Page |
| | F007K/F007KD F858K | FDE-K | | 1/1 |
| | | | | Date |
| | | | | 2016/9/5 |



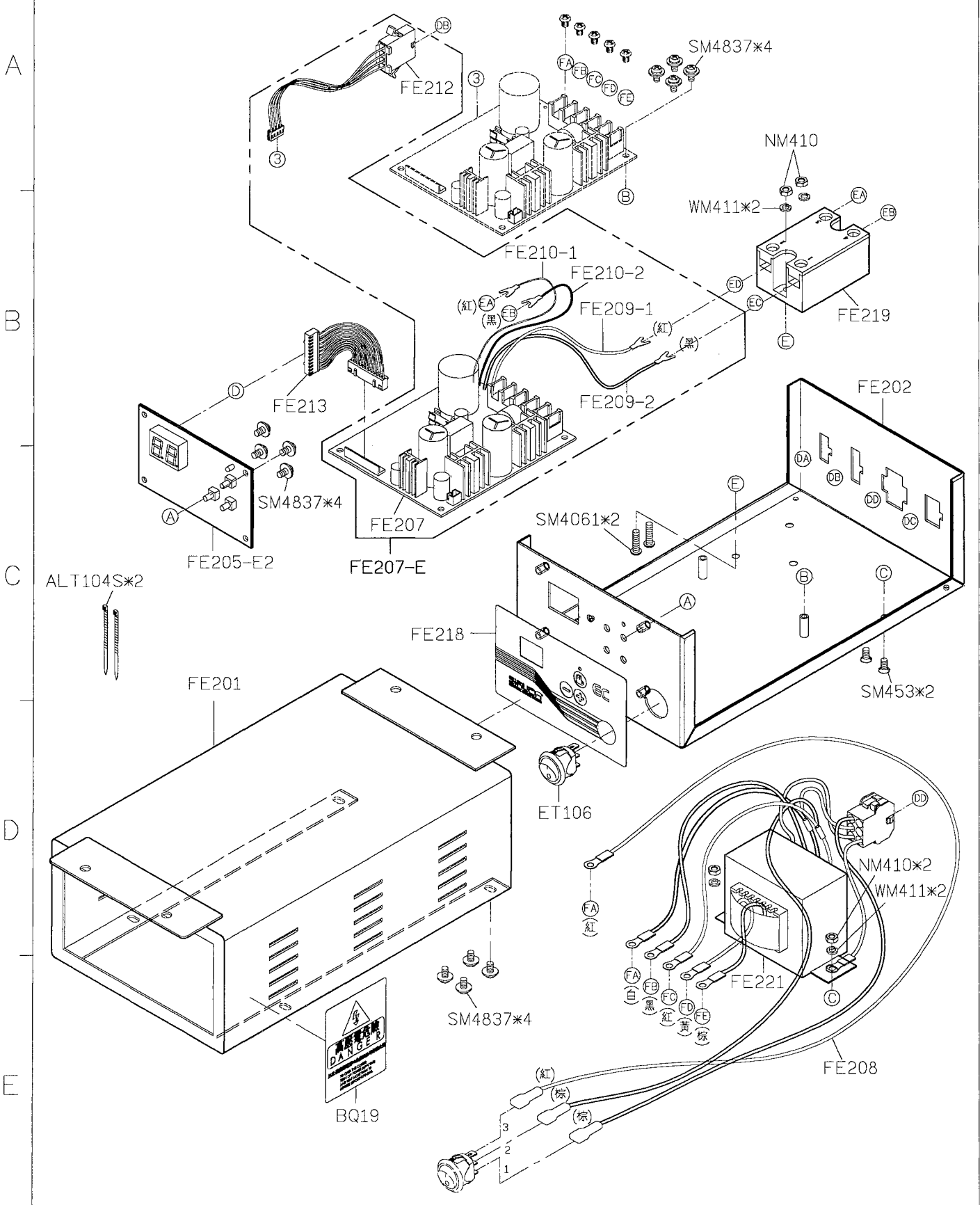
1 2 3 4 5

| | | | | |
|-----------------------------|-----------------------|--------------|--------------------------|----------|
| SIRUBA PARTS LIST | Series | Parts Group | Subclass / Remark | Page |
| | F007K/F007KD F858K | FEC-K | ◎ :Use for SHORT KNIFE短刀 | 1/4 |
| | | | | Date |
| | | | | 2016/9/5 |

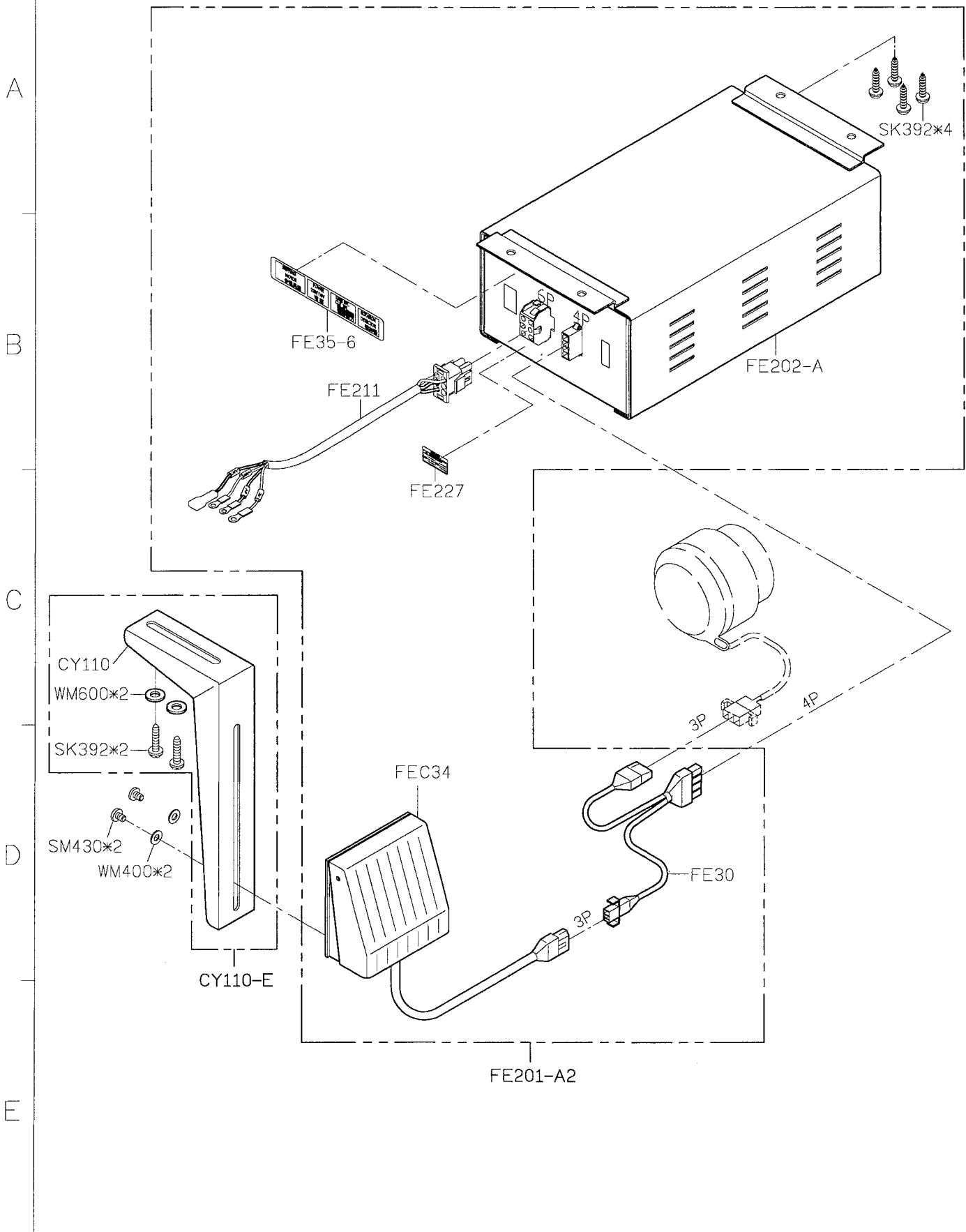


| | | | | |
|-----------------------------|-----------------------|--------------|-------------------|----------|
| SIRUBA PARTS LIST | Series | Parts Group | Subclass / Remark | Page |
| | F007K/F007KD F858K | FEC-K | | 2/4 |
| | | | | Date |
| | | | | 2016/9/5 |

FE202-A

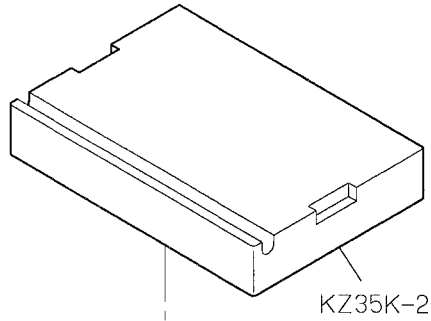


| SIRUBA PARTS LIST | Series | Parts Group | Subclass / Remark | Page |
|----------------------|--------------|-------------|-------------------|----------|
| | F007K/F007KD | FEC-K | | 3/4 |
| | F858K | | | Date |
| | | | | 2016/9/5 |

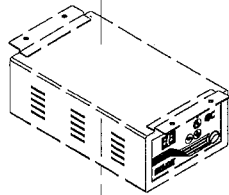


| SIRUBA PARTS LIST | Series | Parts Group | Subclass / Remark | Page |
|----------------------|-----------------------|-------------|-------------------|----------|
| | F007K/F007KD F858K | FEC-K | | 4/4 |
| | | | | Date |
| | | | | 2016/9/5 |

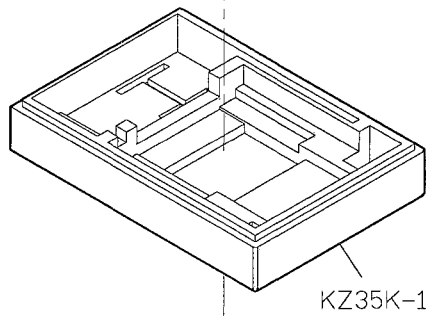
A



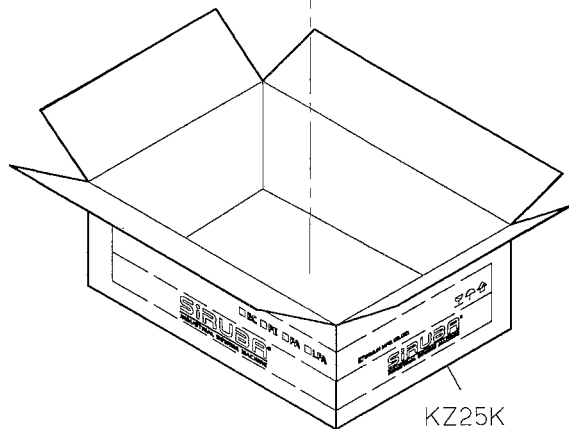
B



C



D



E

1

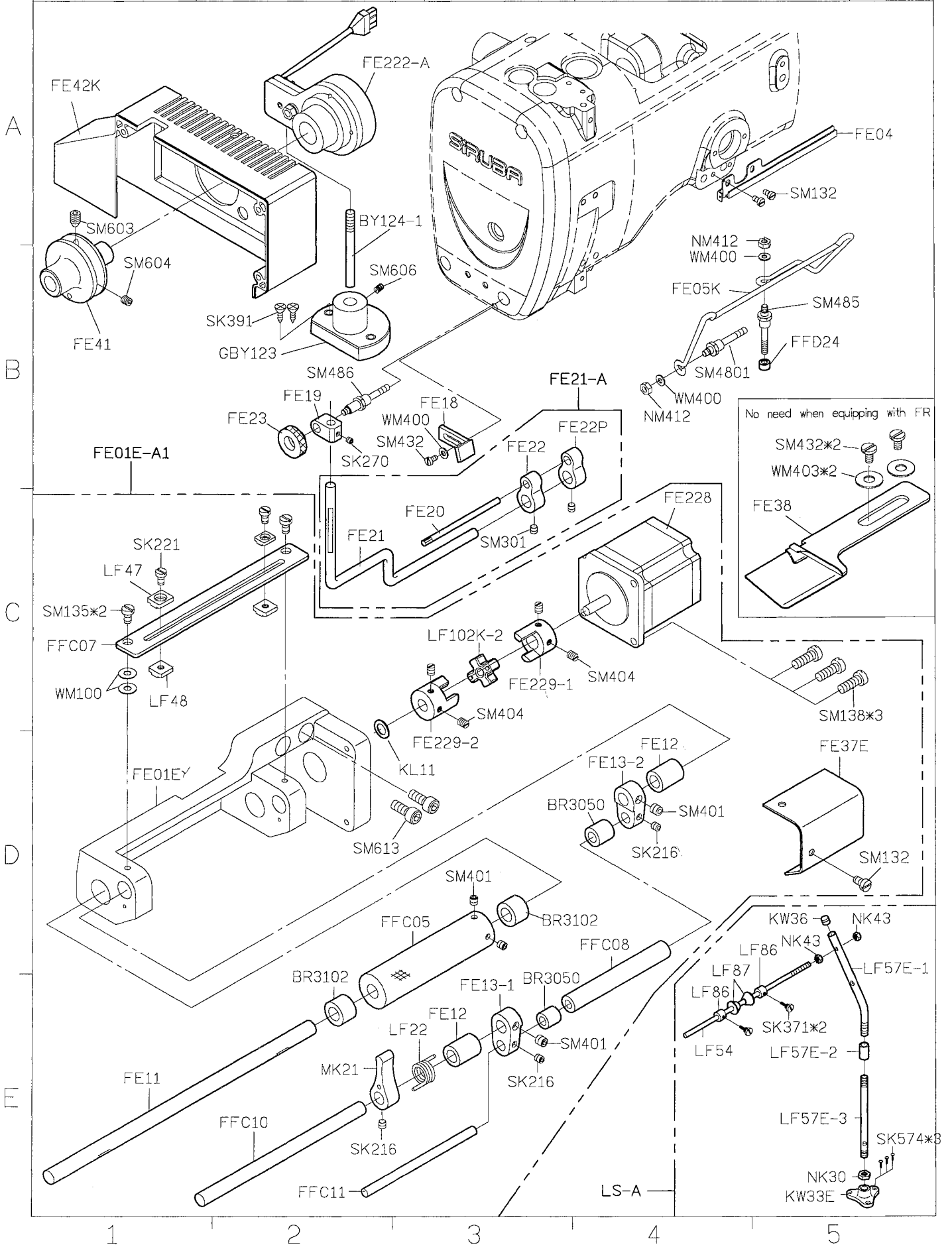
2

3

4

5

| | | | | |
|-----------------------------|-----------------------|-------------|----------------------------|----------|
| SIRUBA PARTS LIST | Series | Parts Group | Subclass / Remark | Page |
| | F007K/F007KD F858K | FE-K | Not for Direct-Drive Motor | 1/3 |
| | | | | Date |
| | | | | 2016/9/5 |



| SIRUBA PARTS LIST | Series | Parts Group | Subclass / Remark | Page |
|----------------------|-----------------------|-------------|----------------------------|------------------|
| | F007K/F007KD F858K | FE-K | Not for Direct-Drive Motor | 2/3 |
| | | | | Date 2016/9/5 |

FE202-A1

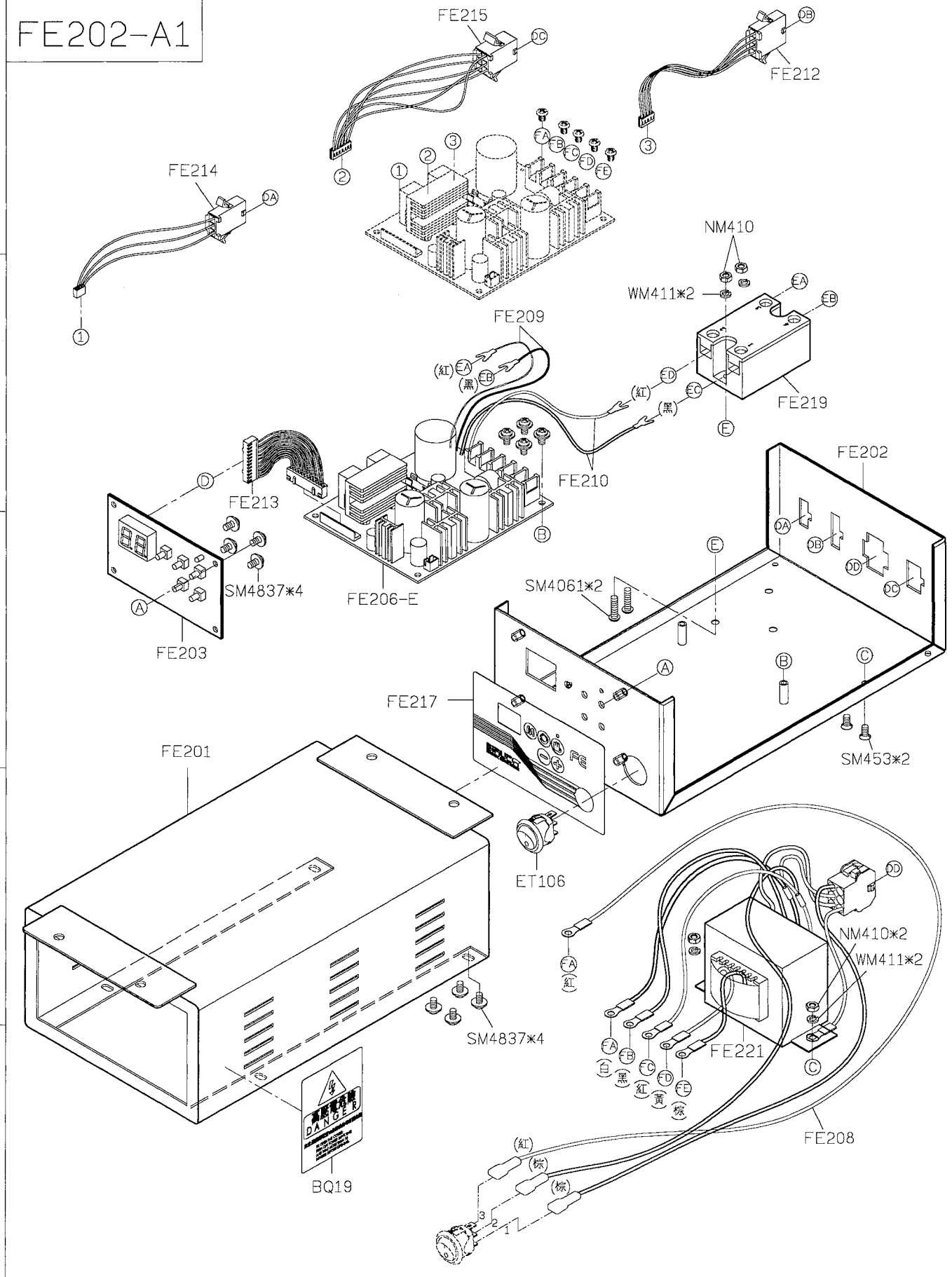
A

B

C

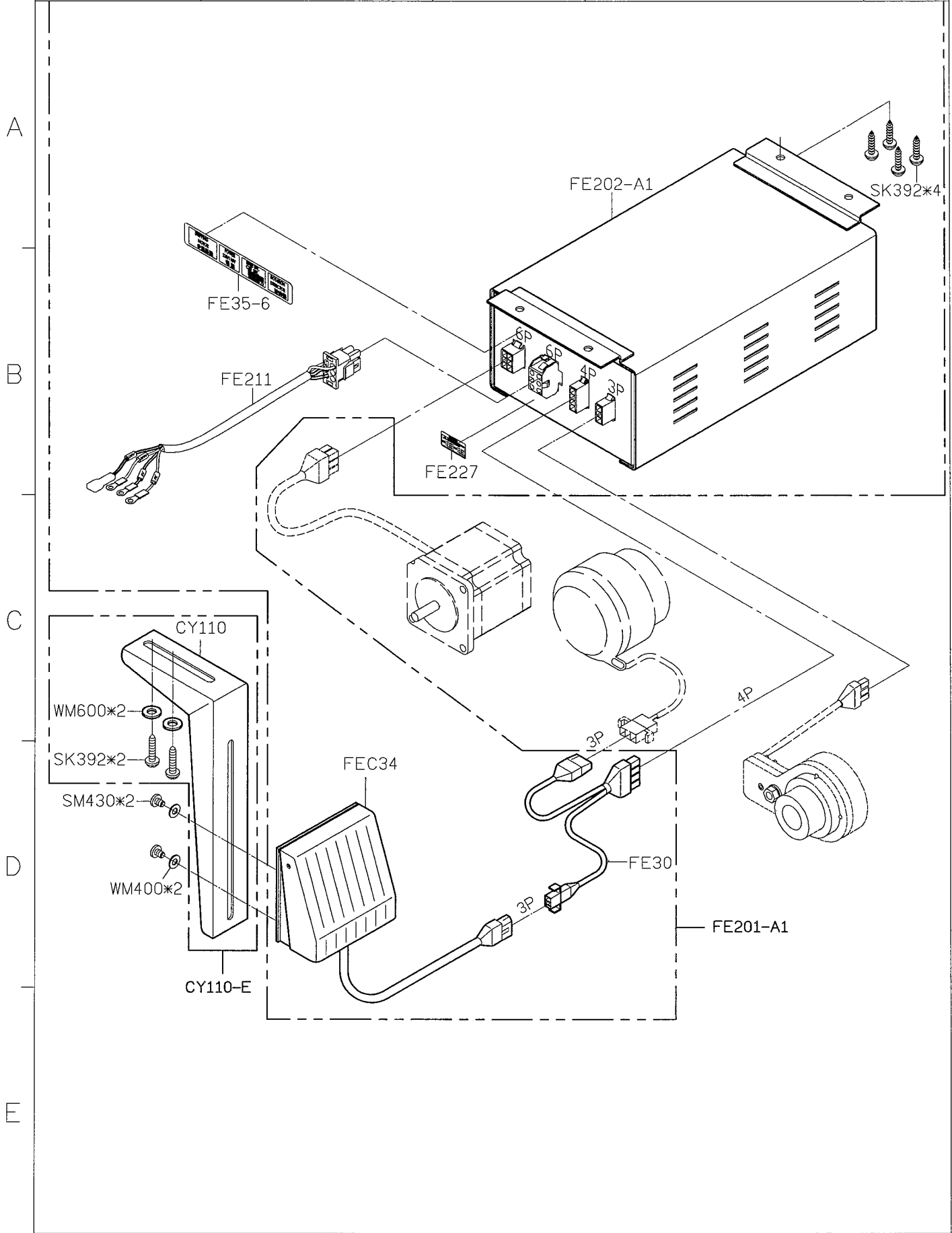
D

E



1 2 3 4 5

| SIRUBA PARTS LIST | Series | Parts Group | Subclass / Remark | Page |
|----------------------|-----------------------|-------------|----------------------------|----------|
| | F007K/F007KD F858K | FE-K | Not for Direct-Drive Motor | 3/3 |
| | | | | Date |
| | | | | 2016/9/5 |



1 2 3 4 5

SIRUBA

PARTS LIST

Series

F007K/F007KD
F858K
C007K/C007KD
C858K

Parts Group

FFC-K

Subclass / Remark

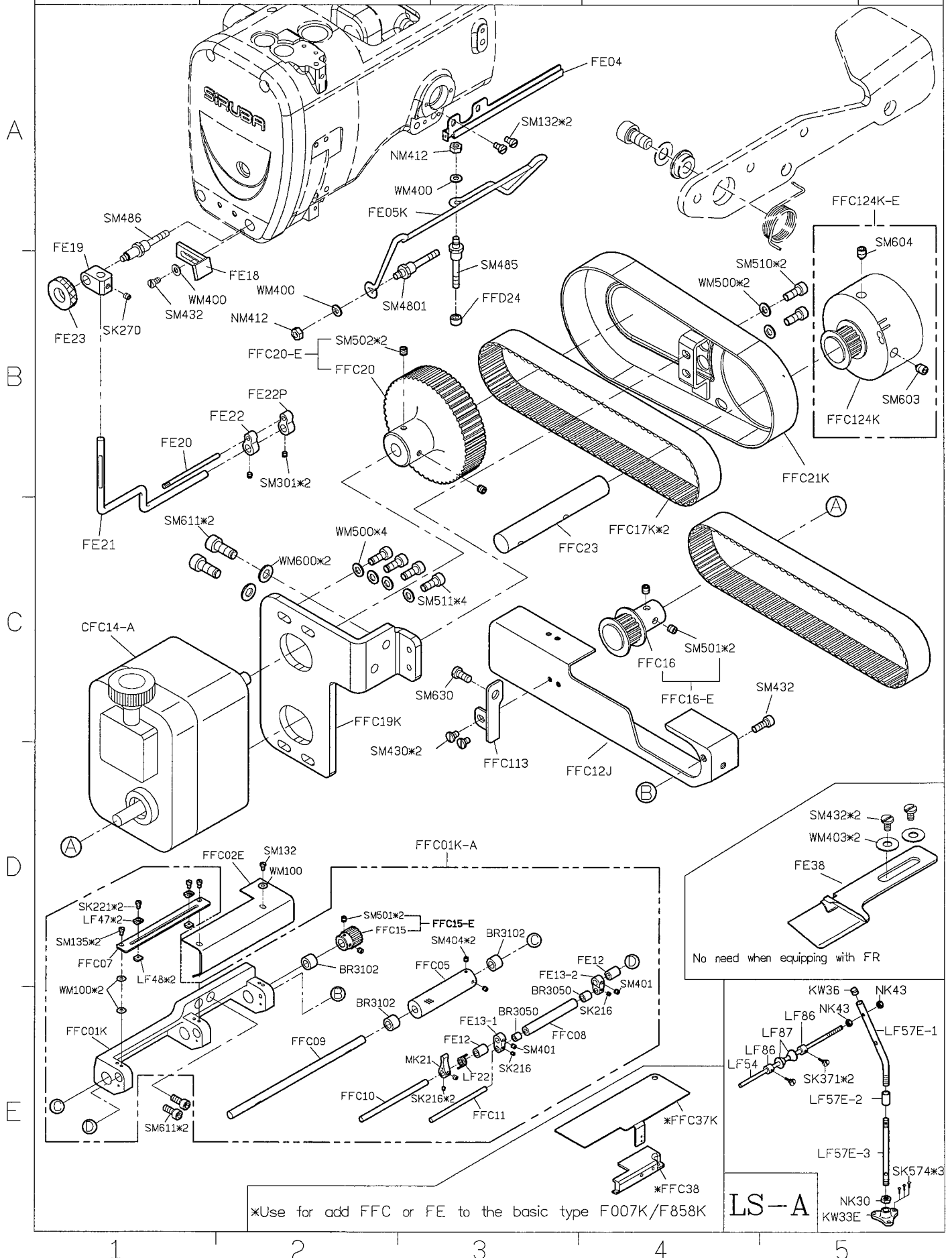
Not for Direct-Drive Motor

Page

1/1

Date

2016/10/13



SIRUBA

PARTS LIST

Series

F007K/F007KD
F858K

Parts Group

FFD-K

Subclass / Remark

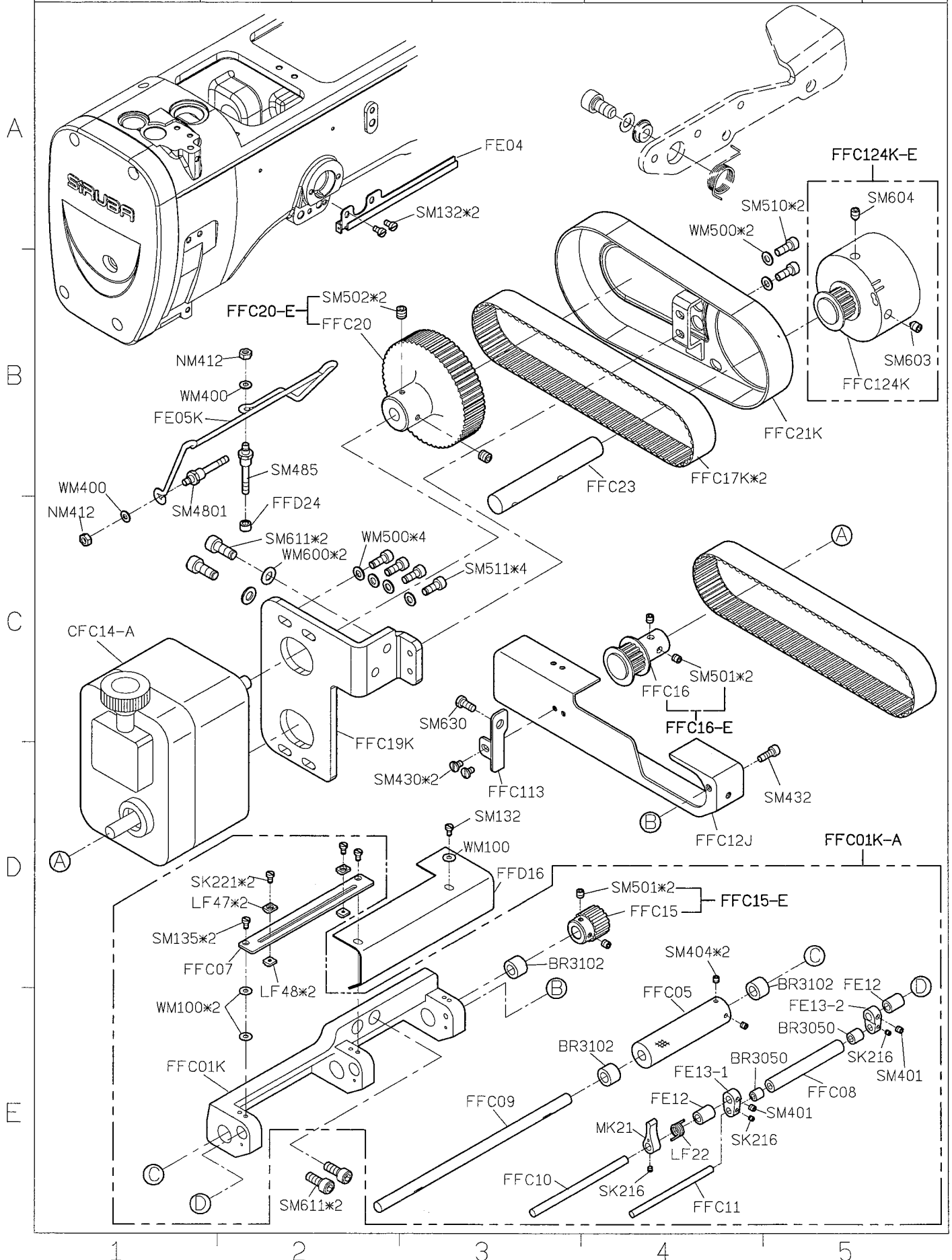
Not for Direct-Drive Motor

Page

1/3

Date

2015/10/13



SIRUBA

PARTS LIST

Series

F007K/F007KD
F858K

Parts Group

FFD-K

Subclass / Remark

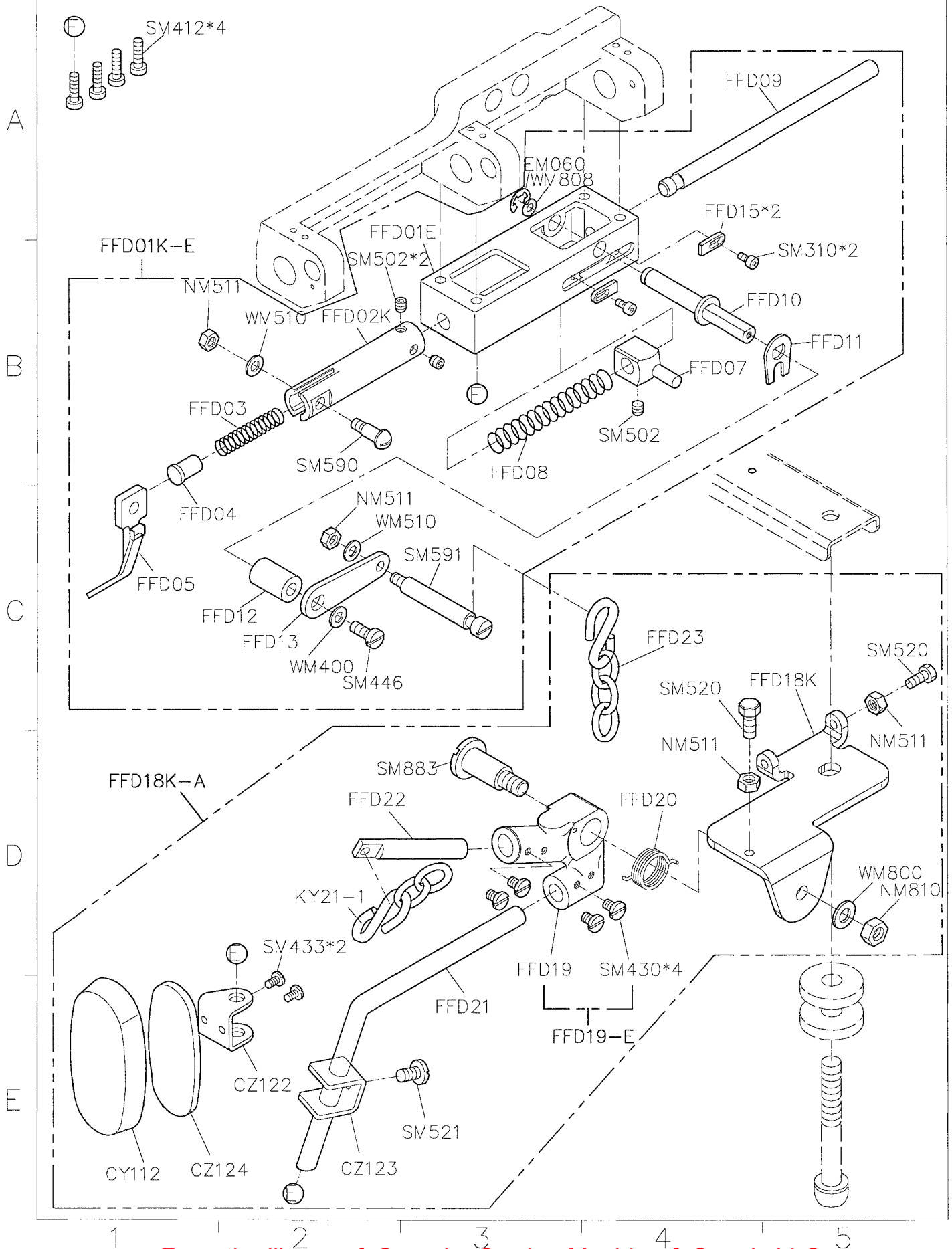
Not for Direct-Drive Motor

Page

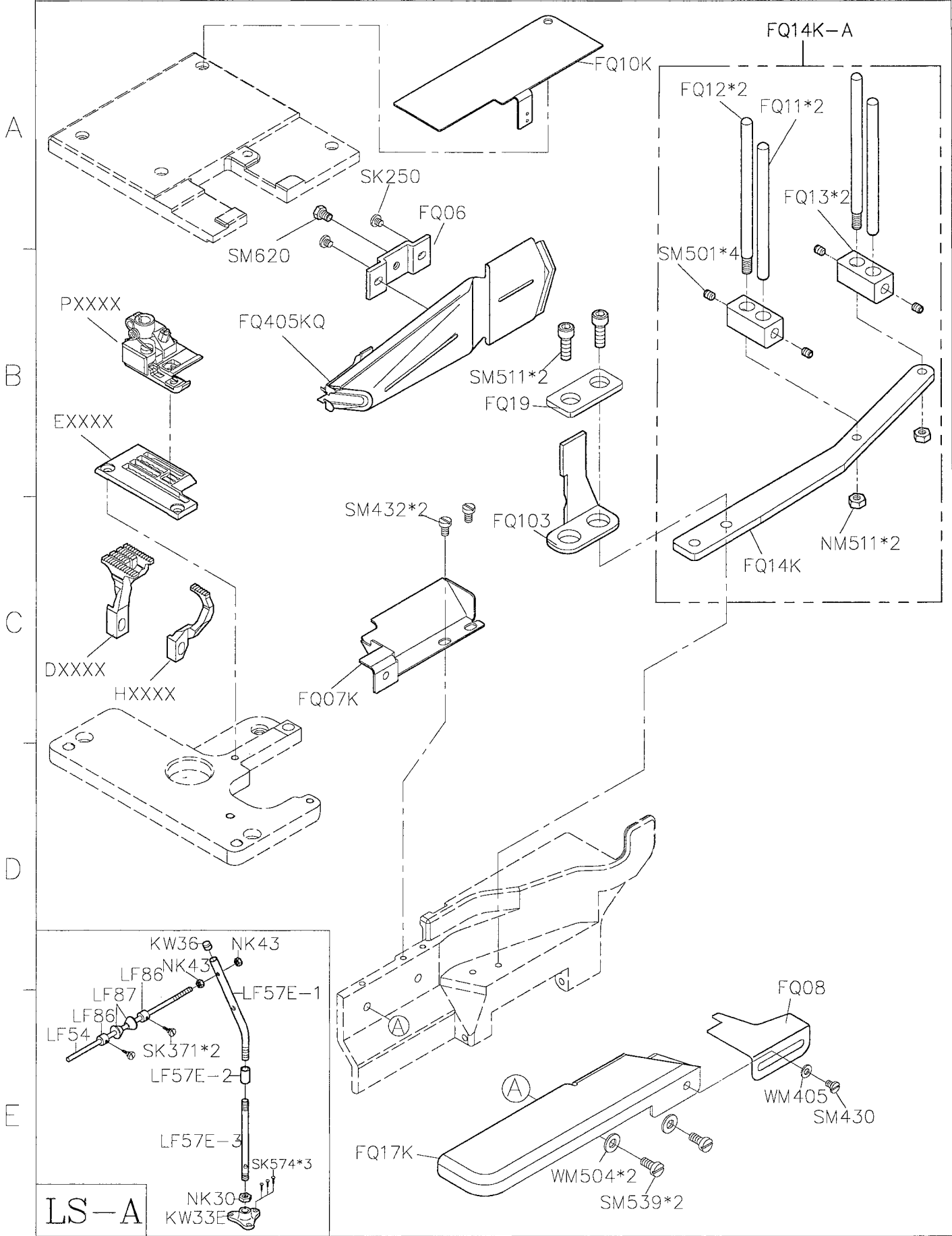
2/3

Date

2015/9/5

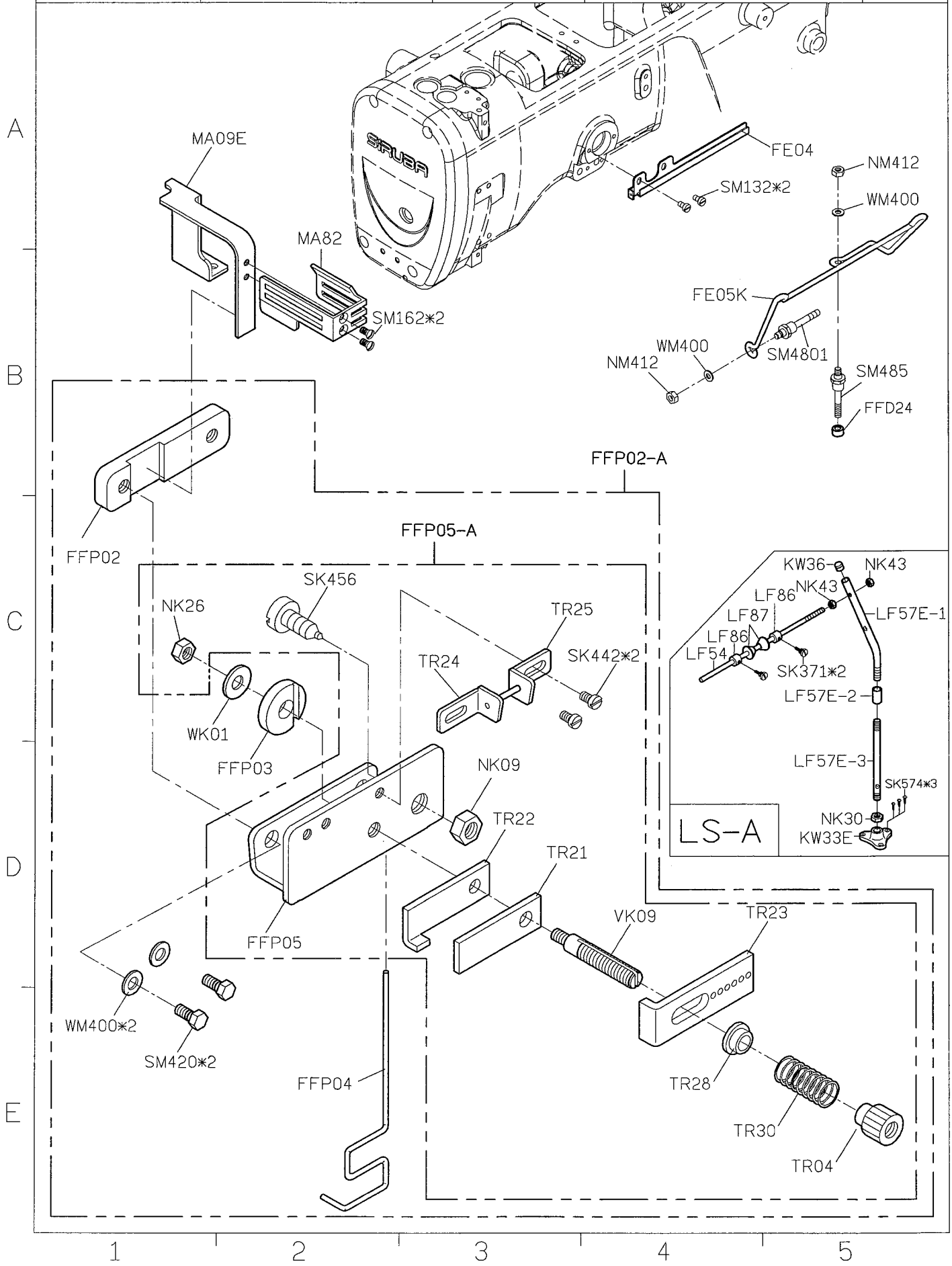


| SiRUBA PARTS LIST | Series | Parts Group | Subclass / Remark | Page |
|----------------------|-----------------------|-------------|----------------------------|------------------|
| | F007K/F007KD F858K | FFD-K | Not for Direct-Drive Motor | 3/3 |
| | | | | Date 2015/9/5 |

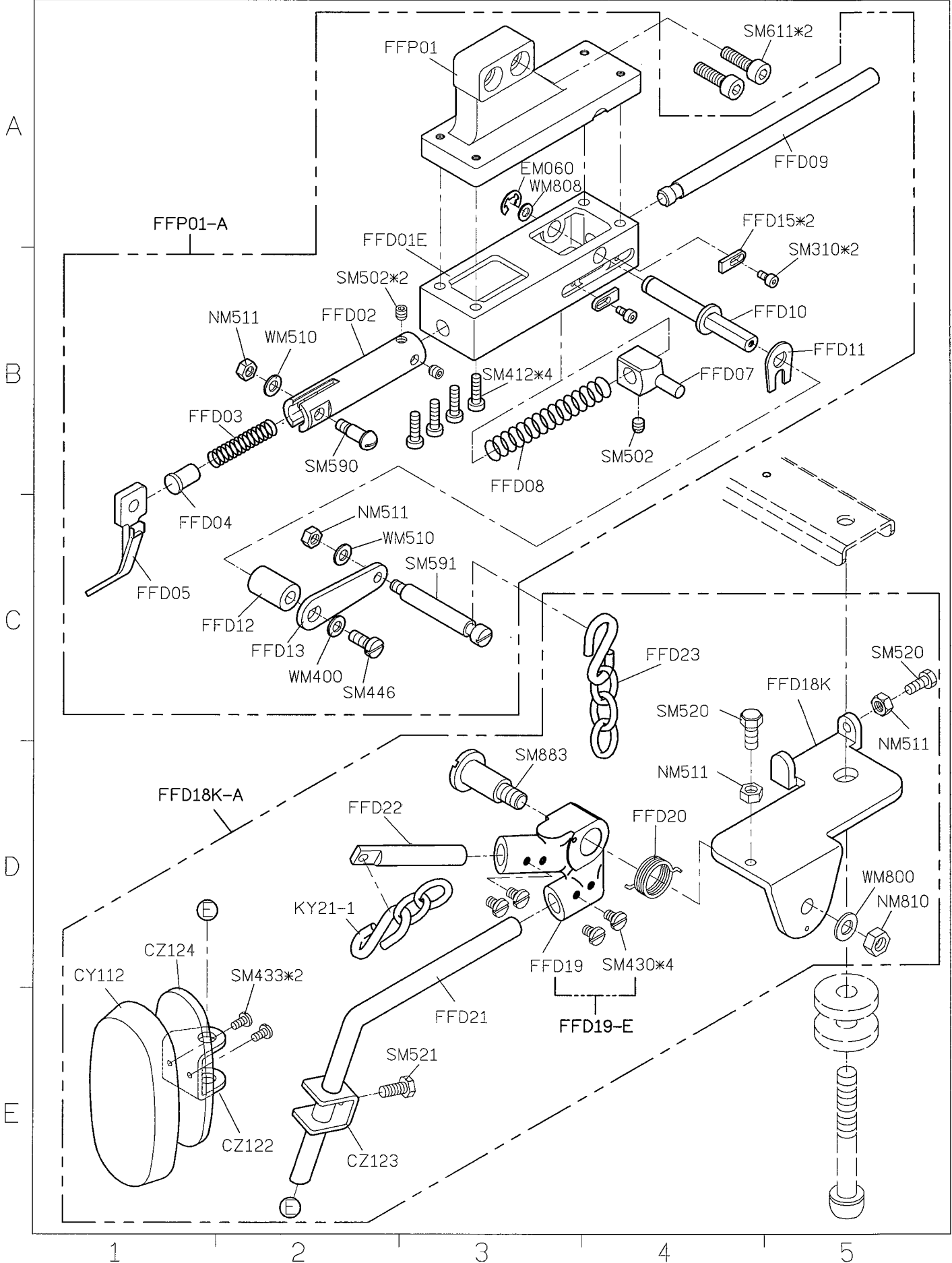


LS-A

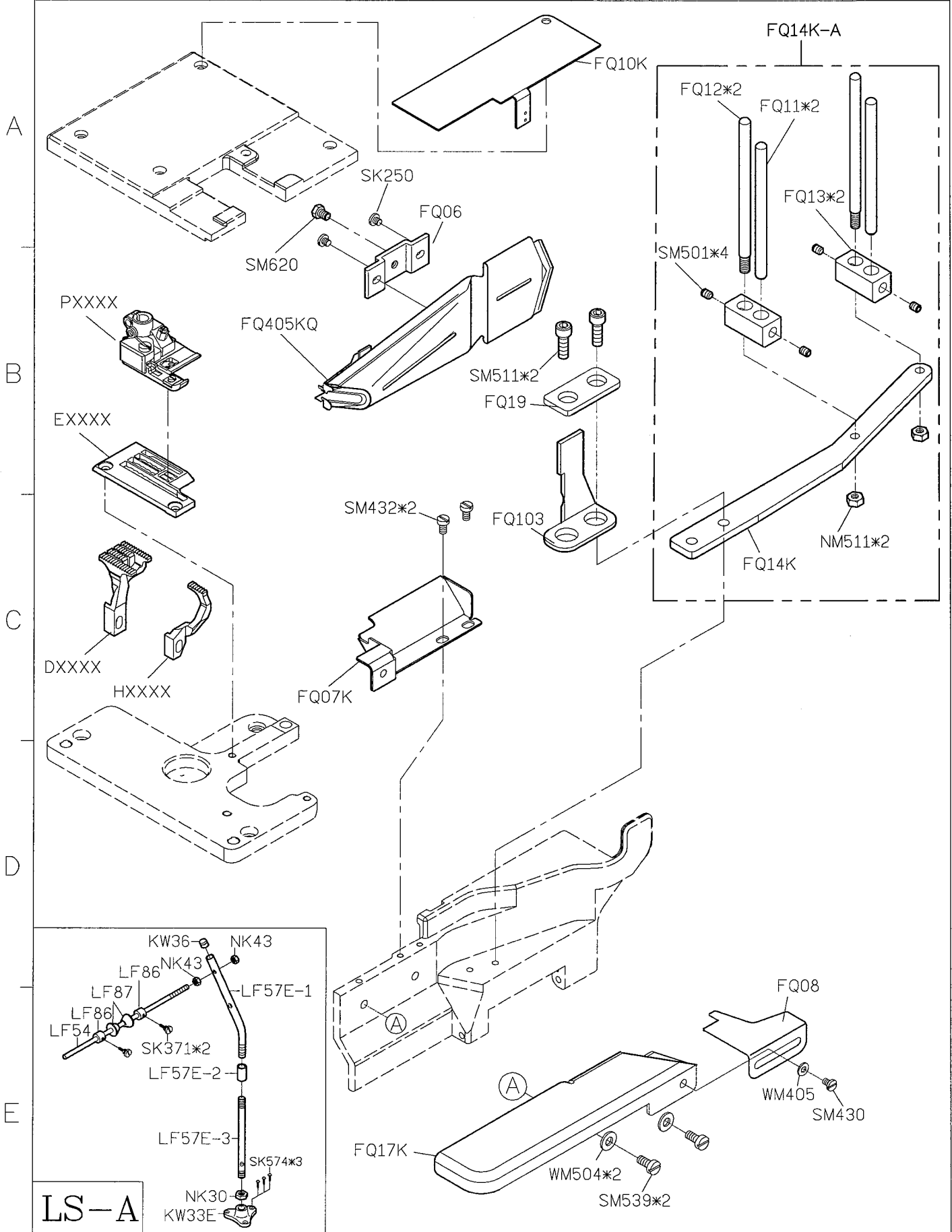
| | | | | |
|-----------------------------|-----------------------|--------------|-------------------|----------|
| SIRUBA PARTS LIST | Series | Parts Group | Subclass / Remark | Page |
| | F007K/F007KD F858K | FFP-K | | 1/3 |
| | | | | Date |
| | | | | 2016/9/5 |



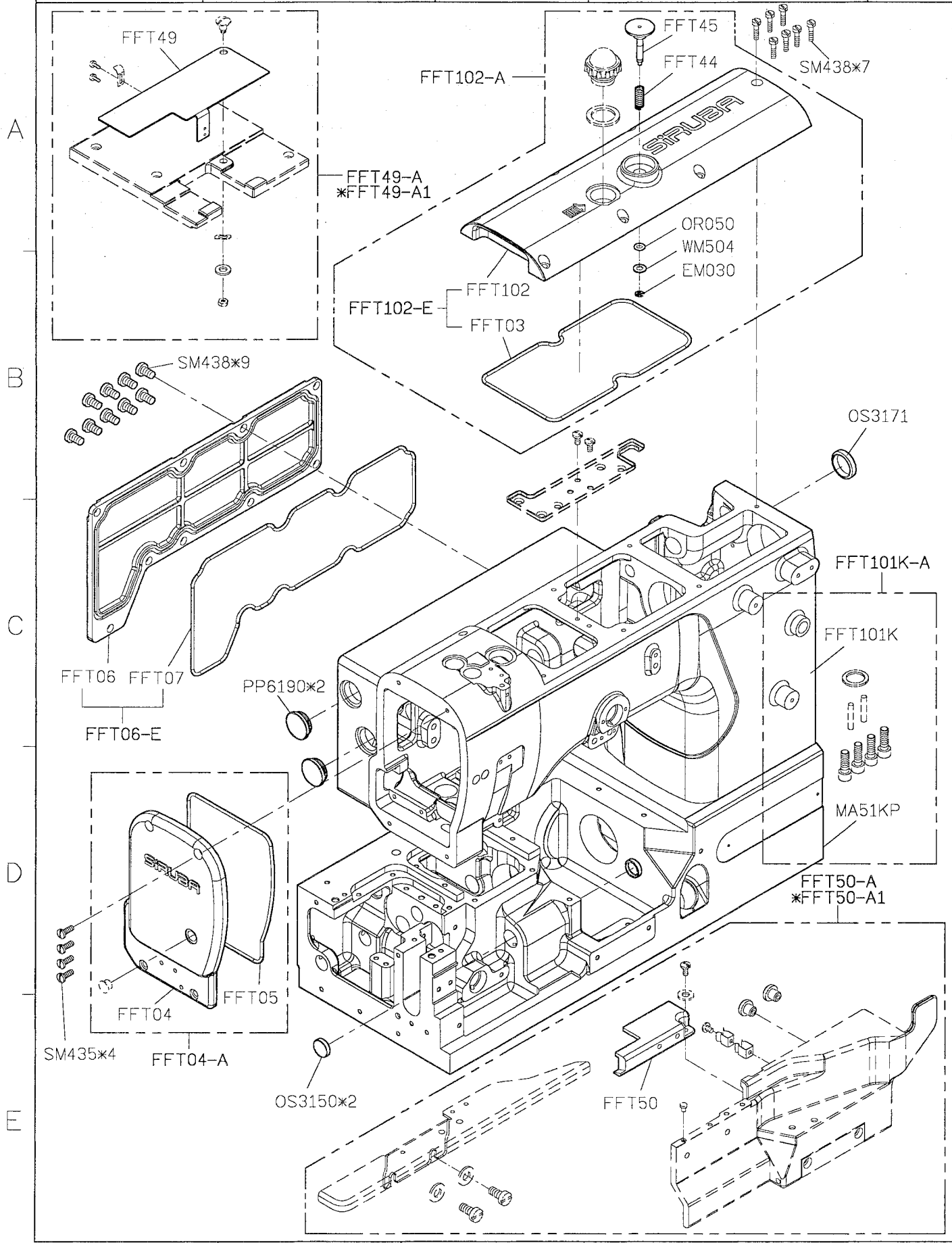
| | | | | |
|-----------------------------|-----------------------|--------------|-------------------|----------|
| SIRUBA PARTS LIST | Series | Parts Group | Subclass / Remark | Page |
| | F007K/F007KD F858K | FFP-K | | 2/3 |
| | | | | Date |
| | | | | 2016/9/5 |



| | | | | |
|-----------------------------|-----------------------|--------------|-------------------|----------|
| SIRUBA PARTS LIST | Series | Parts Group | Subclass / Remark | Page |
| | F007K/F007KD F858K | FFP-K | | 3/3 |
| | | | | Date |
| | | | | 2016/9/5 |

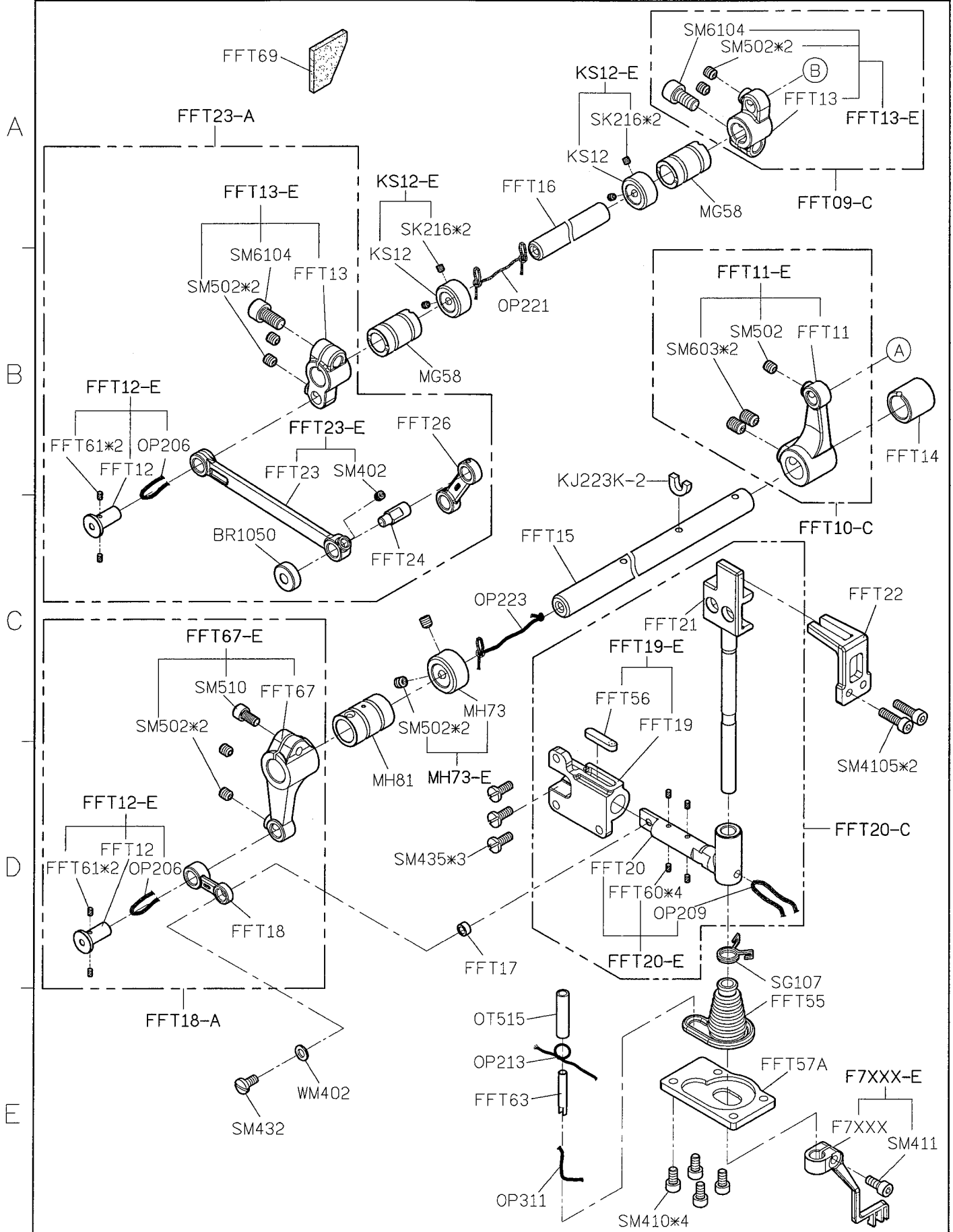


| SIRUBA PARTS LIST | Series | Parts Group | Subclass / Remark | Page |
|----------------------|--------|-------------|-------------------------|-------------------|
| | F007KD | FFT | With Direct-Drive Motor | 1/7 |
| | | | | Date 2016/8/18 |

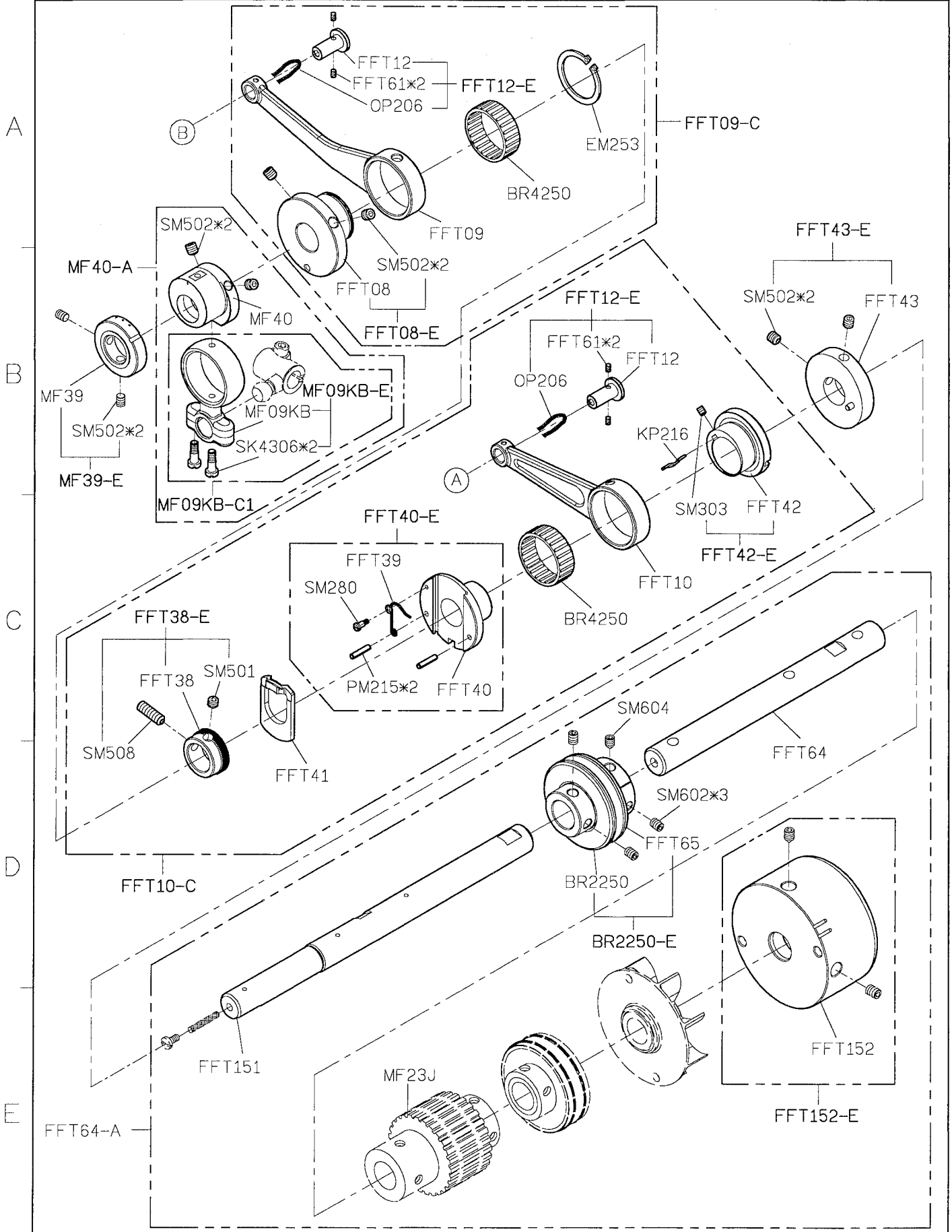


1 2 3 4 5

| SIRUBA PARTS LIST | Series | Parts Group | Subclass / Remark | Page |
|----------------------|--------|-------------|-------------------------|-------------------|
| | F007KD | FFT | With Direct-Drive Motor | 2/7 |
| | | | | Date 2016/8/18 |

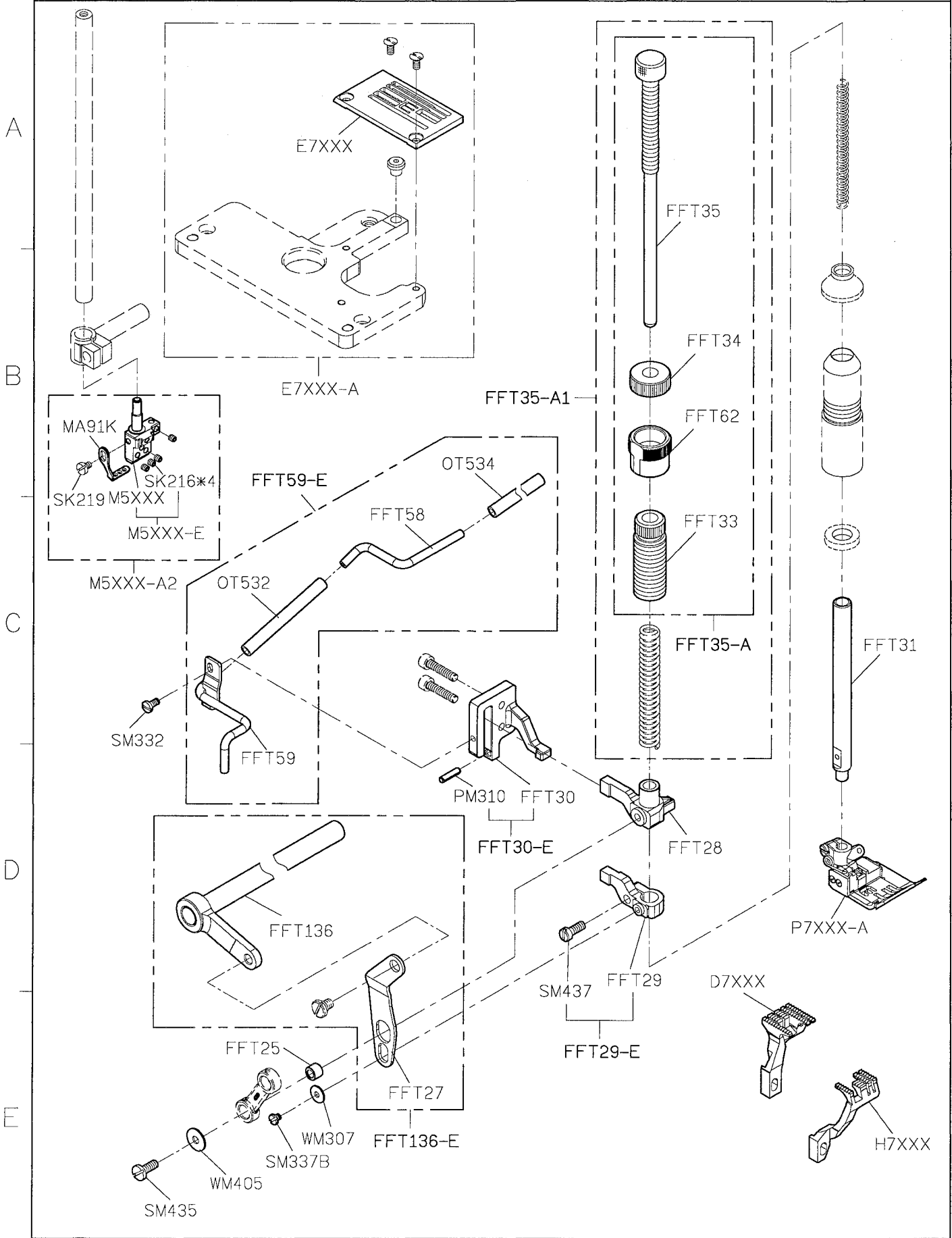


| SIRUBA PARTS LIST | Series | Parts Group | Subclass / Remark | Page |
|----------------------|--------|-------------|-------------------------|-------------------|
| | F007KD | FFT | With Direct-Drive Motor | 3/7 |
| | | | | Date 2016/8/18 |

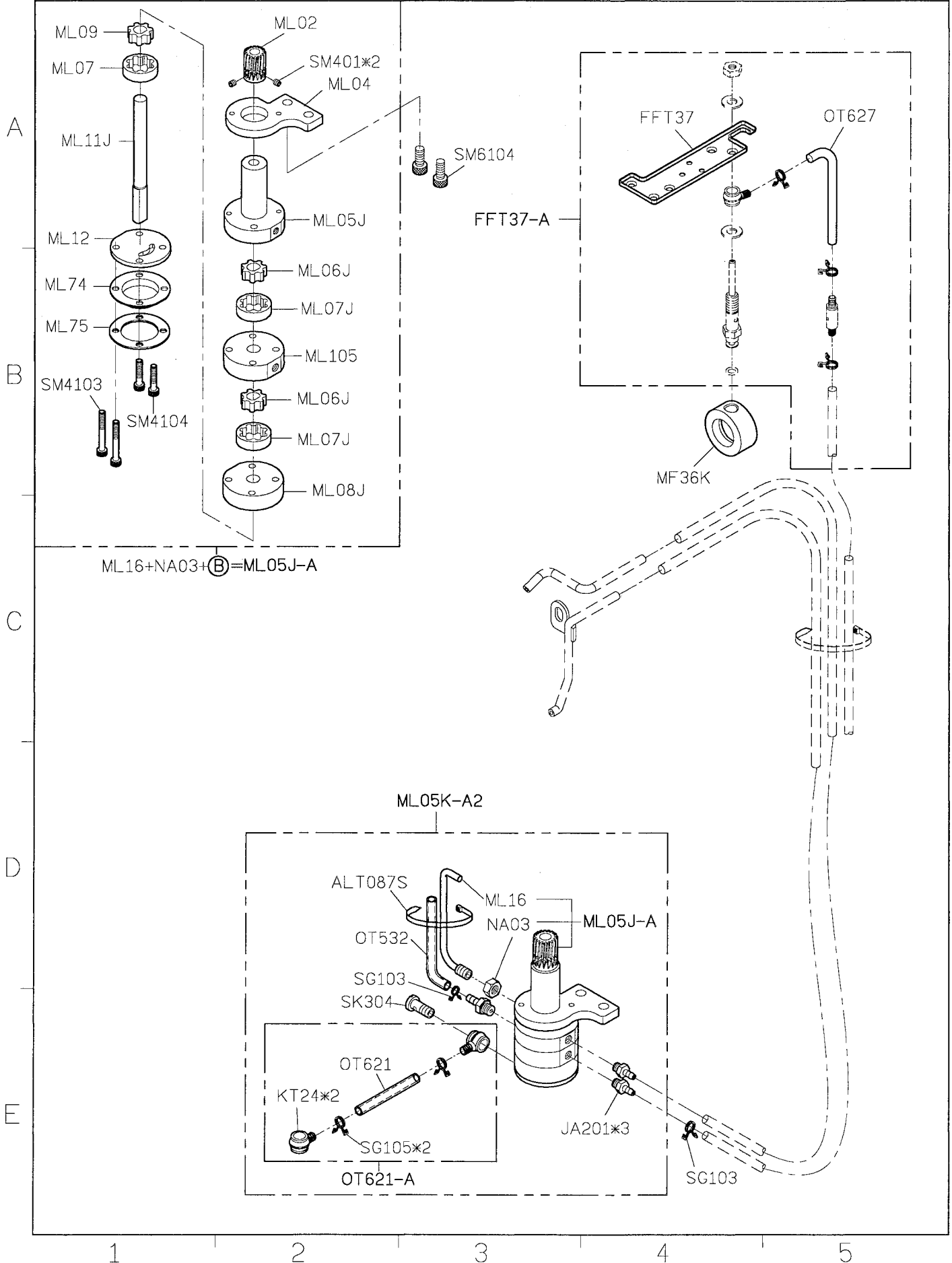


1 2 3 4 5

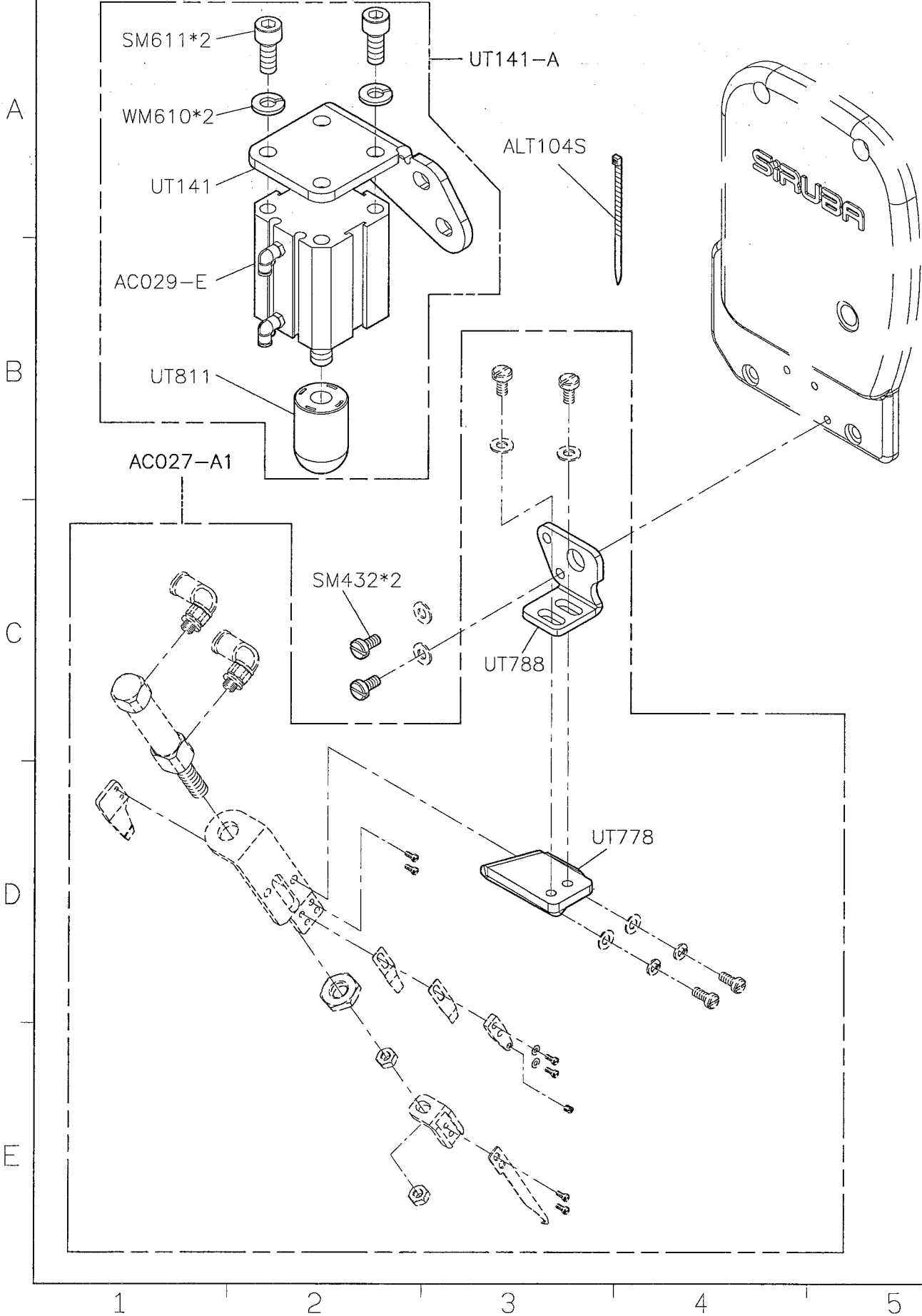
| SIRUBA PARTS LIST | Series | Parts Group | Subclass / Remark | Page |
|----------------------|--------|-------------|-------------------------|-----------|
| | F007KD | FFT | With Direct-Drive Motor | 4/7 |
| | | | | Date |
| | | | | 2016/8/18 |



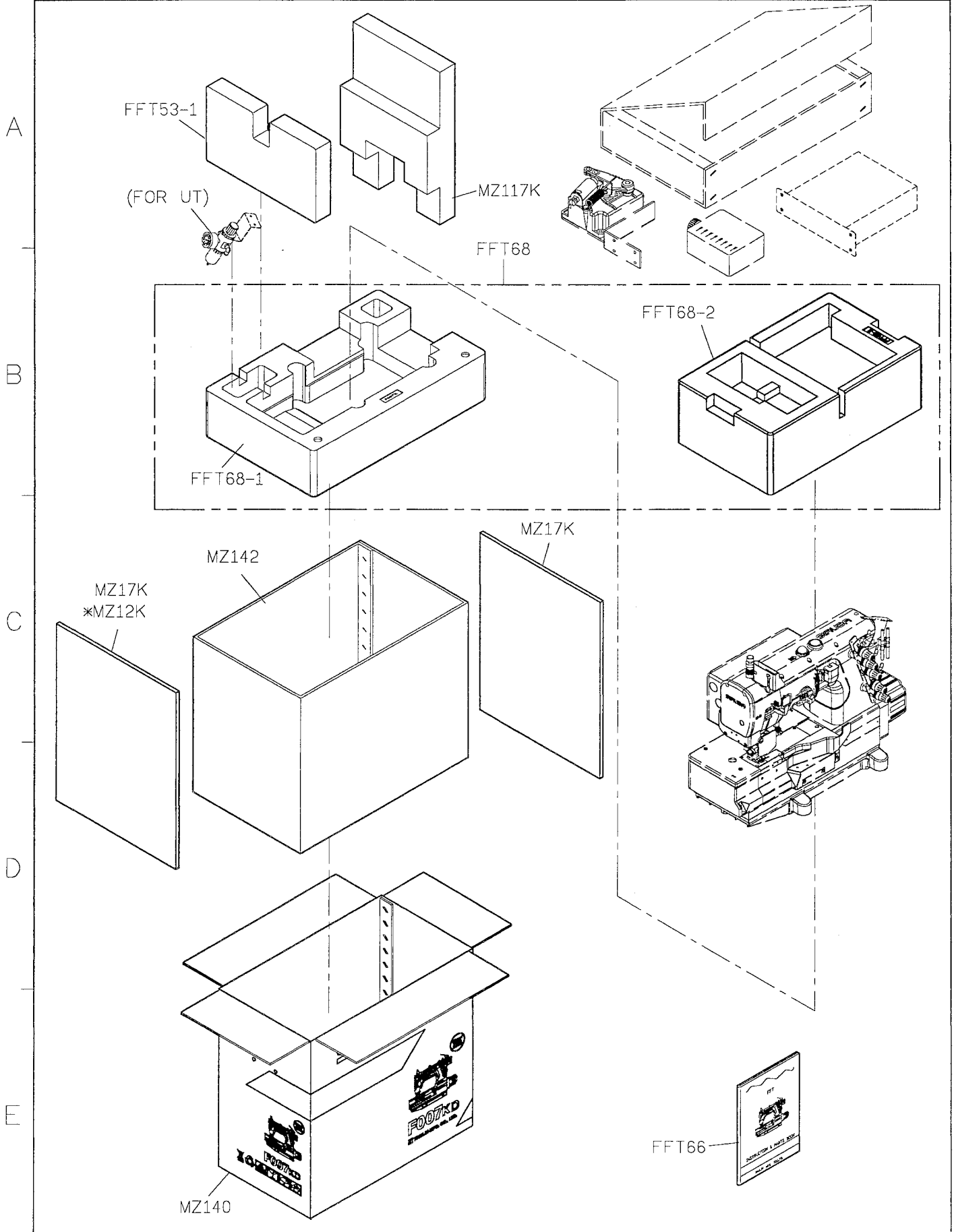
| SIRUBA PARTS LIST | Series | Parts Group | Subclass / Remark | Page |
|----------------------|--------|-------------|-------------------------|-----------|
| | F007KD | FFT | With Direct-Drive Motor | 5/7 |
| | | | | Date |
| | | | | 2016/8/18 |



| SIRUBA PARTS LIST | Series | Parts Group | Subclass / Remark | Page |
|----------------------|--------|-------------|-------------------------|-------------------|
| | F007KD | FFT | With Direct-Drive Motor | 6/7 |
| | | | | Date 2016/8/18 |



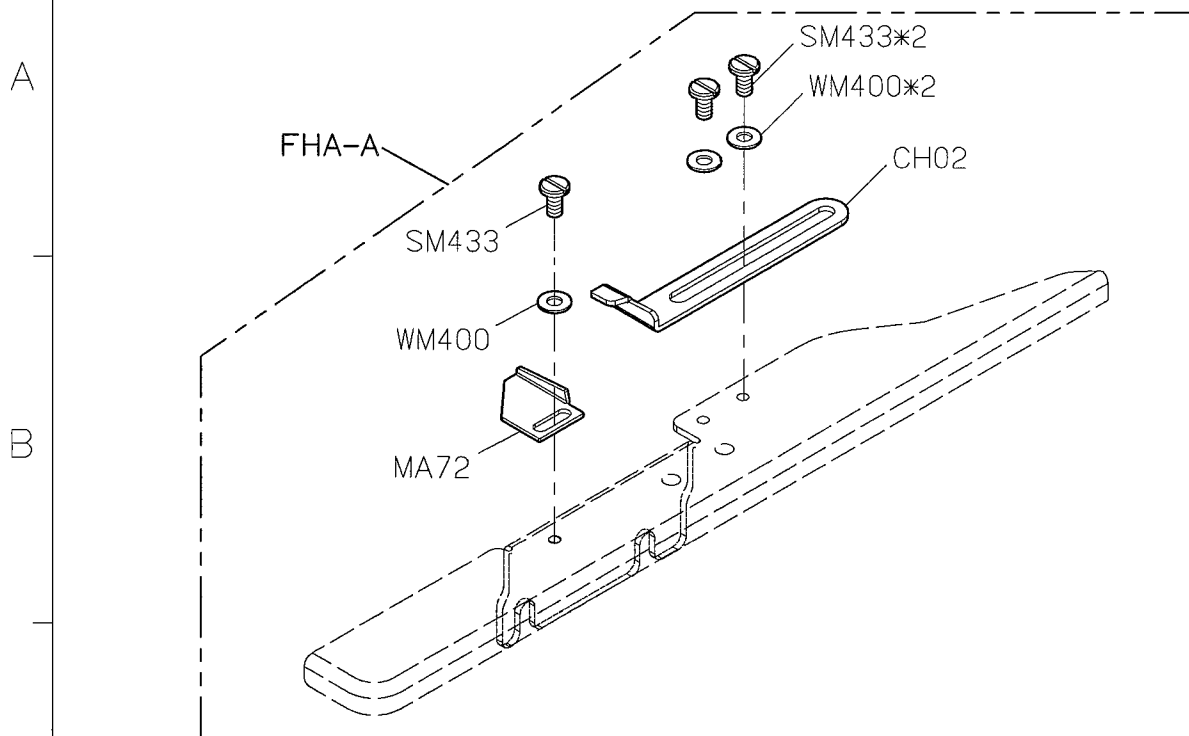
| SIRUBA PARTS LIST | Series | Parts Group | Subclass / Remark | Page |
|----------------------|--------|-------------|---|-------------------|
| | F007KD | FFT | With Direct-Drive Motor * Use for UT | 7/7 |
| | | | | Date 2016/8/22 |



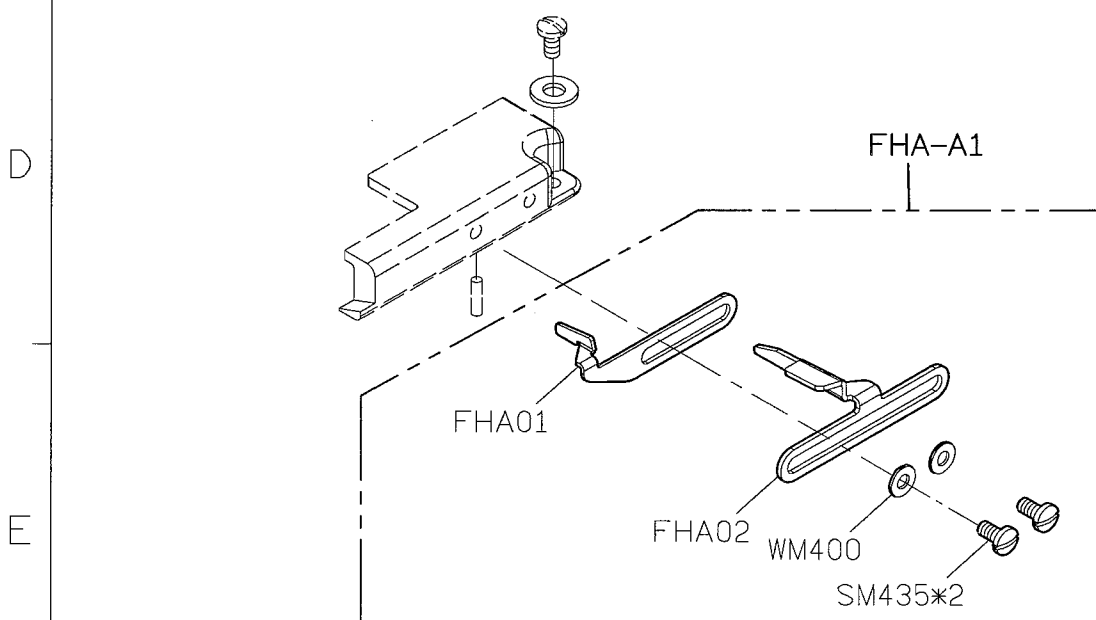
1 2 3 4 5

| | | | | |
|-----------------------------|-----------------------|--------------|-------------------|----------|
| SIRUBA PARTS LIST | Series | Parts Group | Subclass / Remark | Page |
| | F007K/F007KD F858K | FHA-K | | 1/1 |
| | | | | Date |
| | | | | 2016/9/5 |

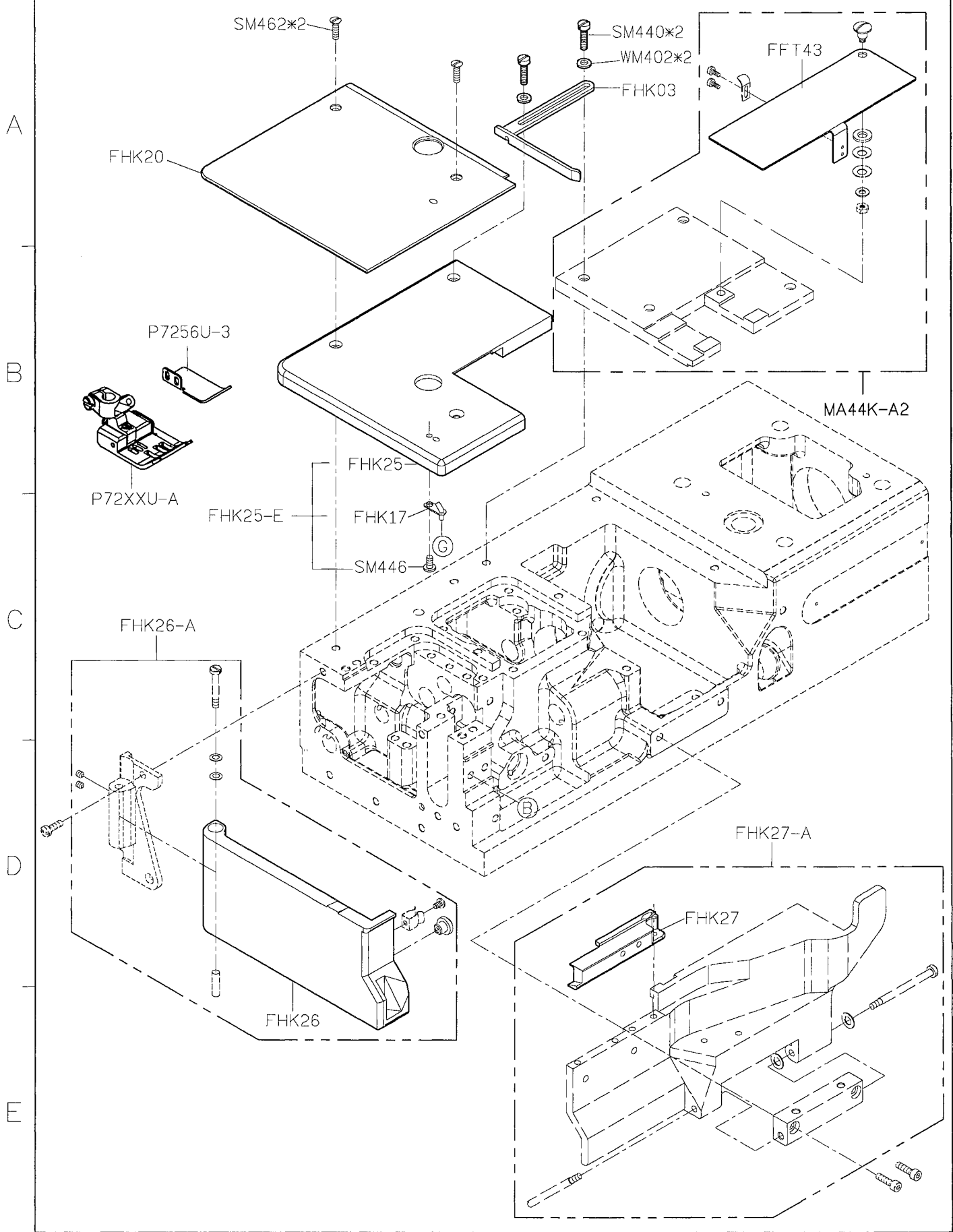
FOR FHA TYPE



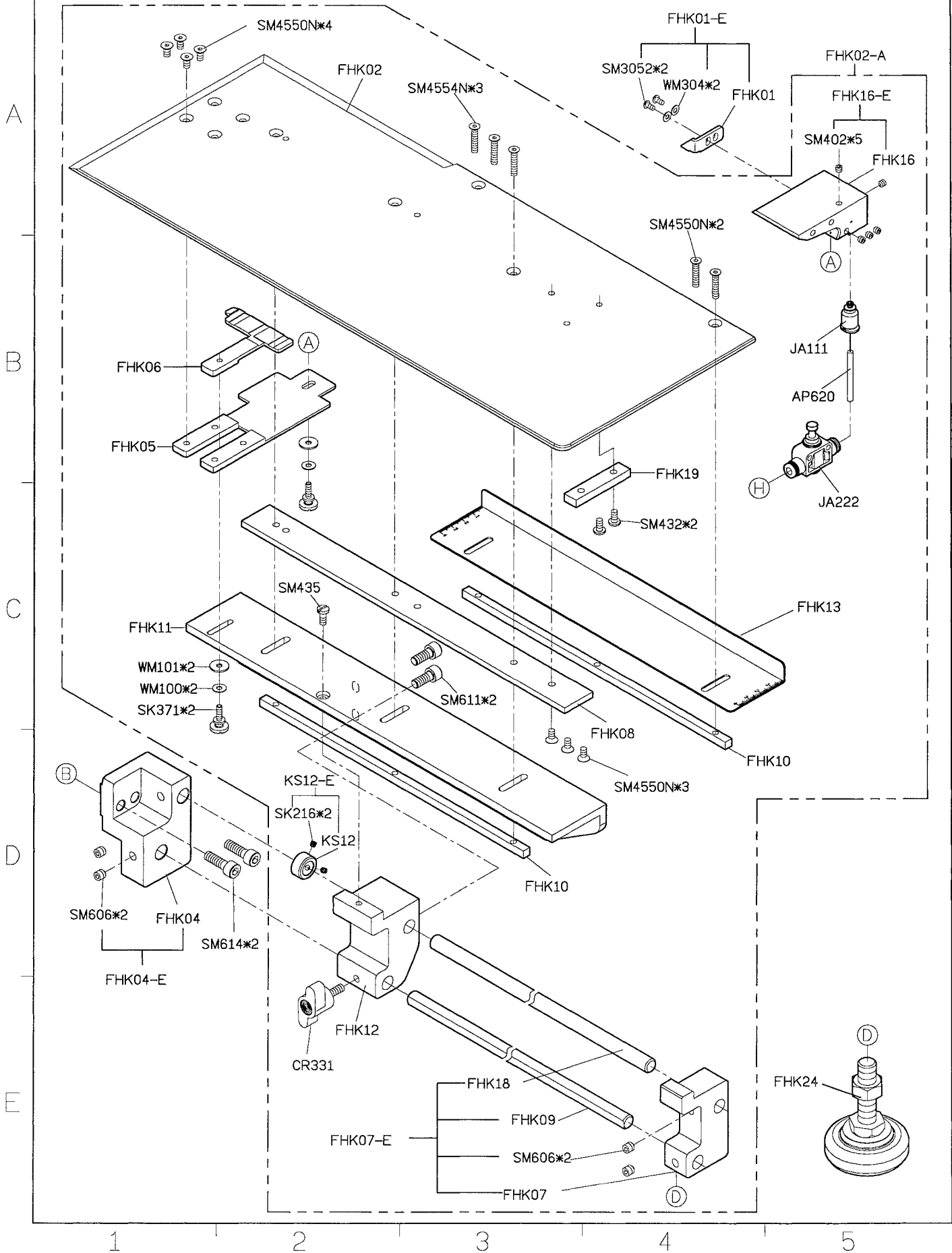
FOR FHA/FQ TYPE
OPTION DEVICE FOR FQ MACHINE
CONVERT TO FHA BOTTOM HEMMING



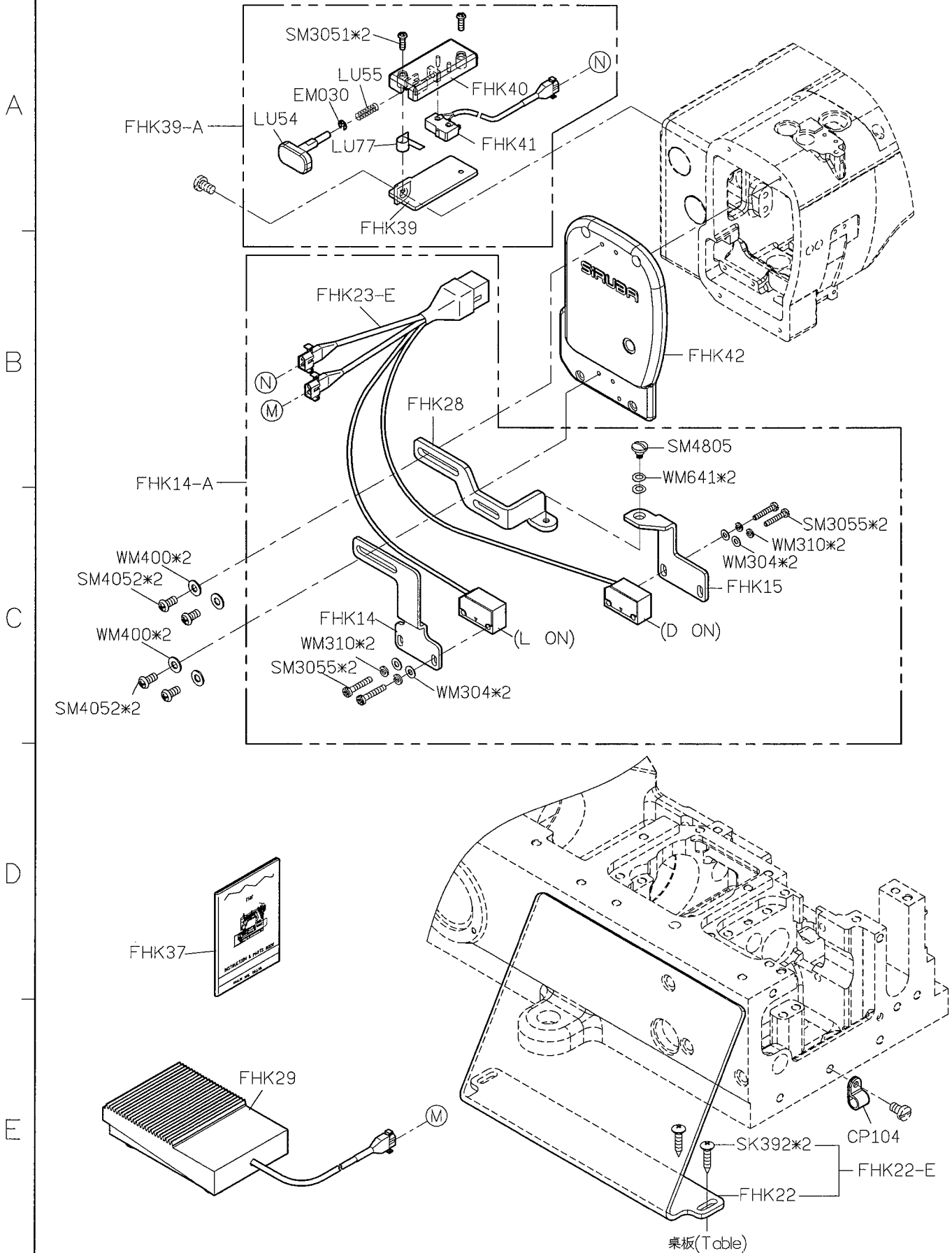
| SIRUBA PARTS LIST | Series | Parts Group | Subclass / Remark | Page |
|----------------------|--------------|-------------|------------------------|----------|
| | F007K/F007KD | FHK | For Direct-Drive Motor | 1/6 |
| | | | | Date |
| | | | | 2016/9/5 |



1 2 3 4 5

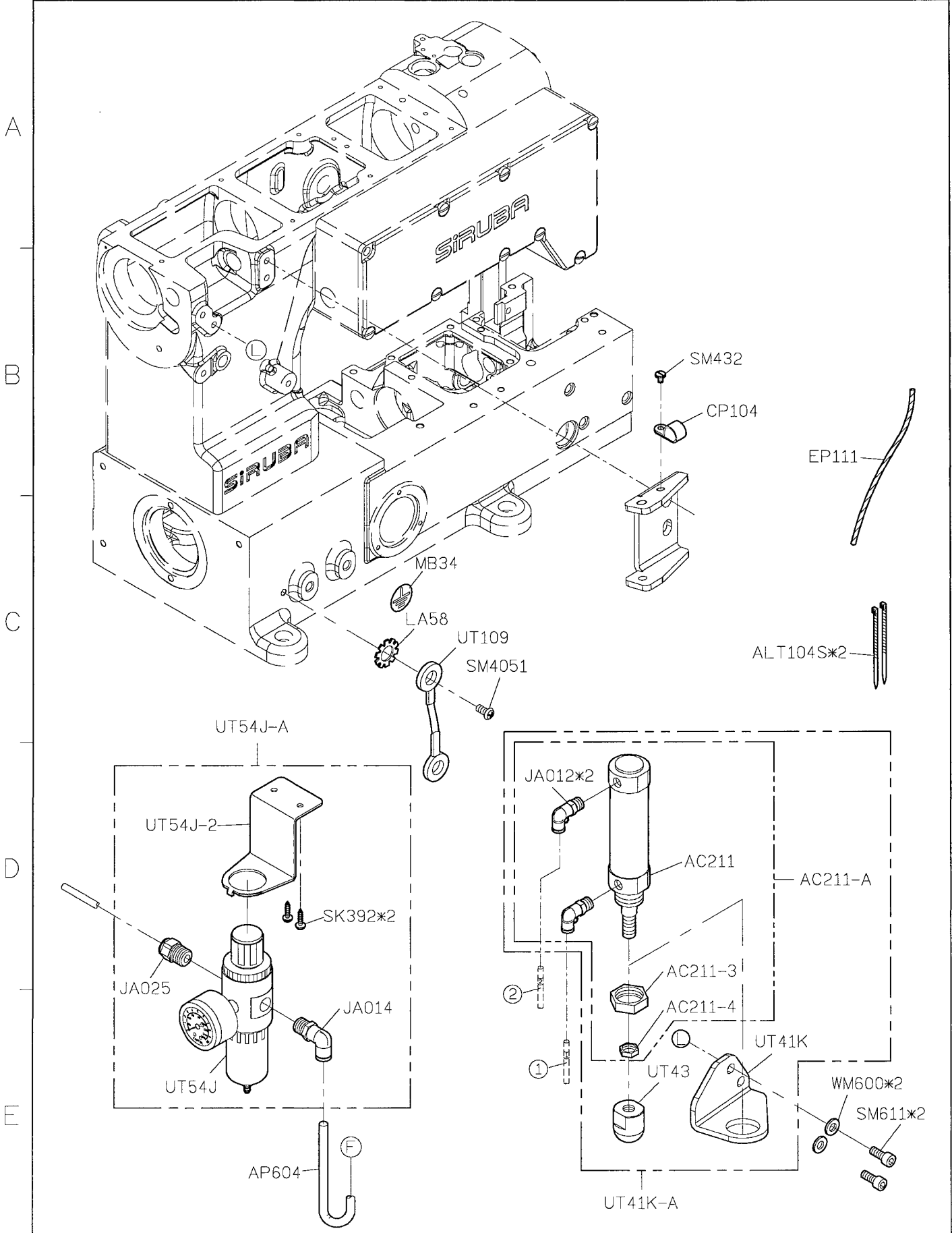


| SIRUBA PARTS LIST | Series | Parts Group | Subclass / Remark | Page |
|----------------------|--------------|-------------|------------------------|----------|
| | F007K/F007KD | FHK | For Direct-Drive Motor | 3/6 |
| | | | | Date |
| | | | | 2016/9/5 |



1 2 3 4 5

| SIRUBA PARTS LIST | Series | Parts Group | Subclass / Remark | Page |
|----------------------|--------------|-------------|------------------------|------------------|
| | F007K/F007KD | FHK | For Direct-Drive Motor | 4/6 |
| | | | | Date 2016/9/5 |



1 2 3 4 5

| SIRUBA PARTS LIST | Series | Parts Group | Subclass / Remark | Page |
|----------------------|--------------|-------------|------------------------|----------|
| | F007K/F007KD | FHK | For Direct-Drive Motor | 5/6 |
| | | | | Date |
| | | | | 2016/9/5 |

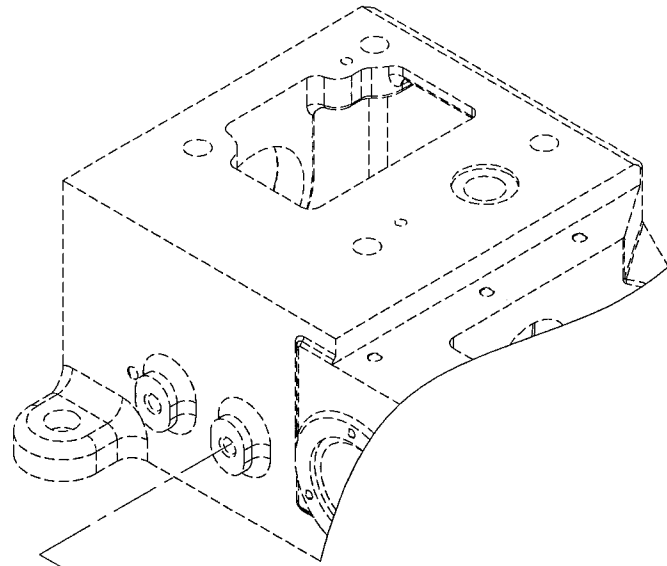
A

B

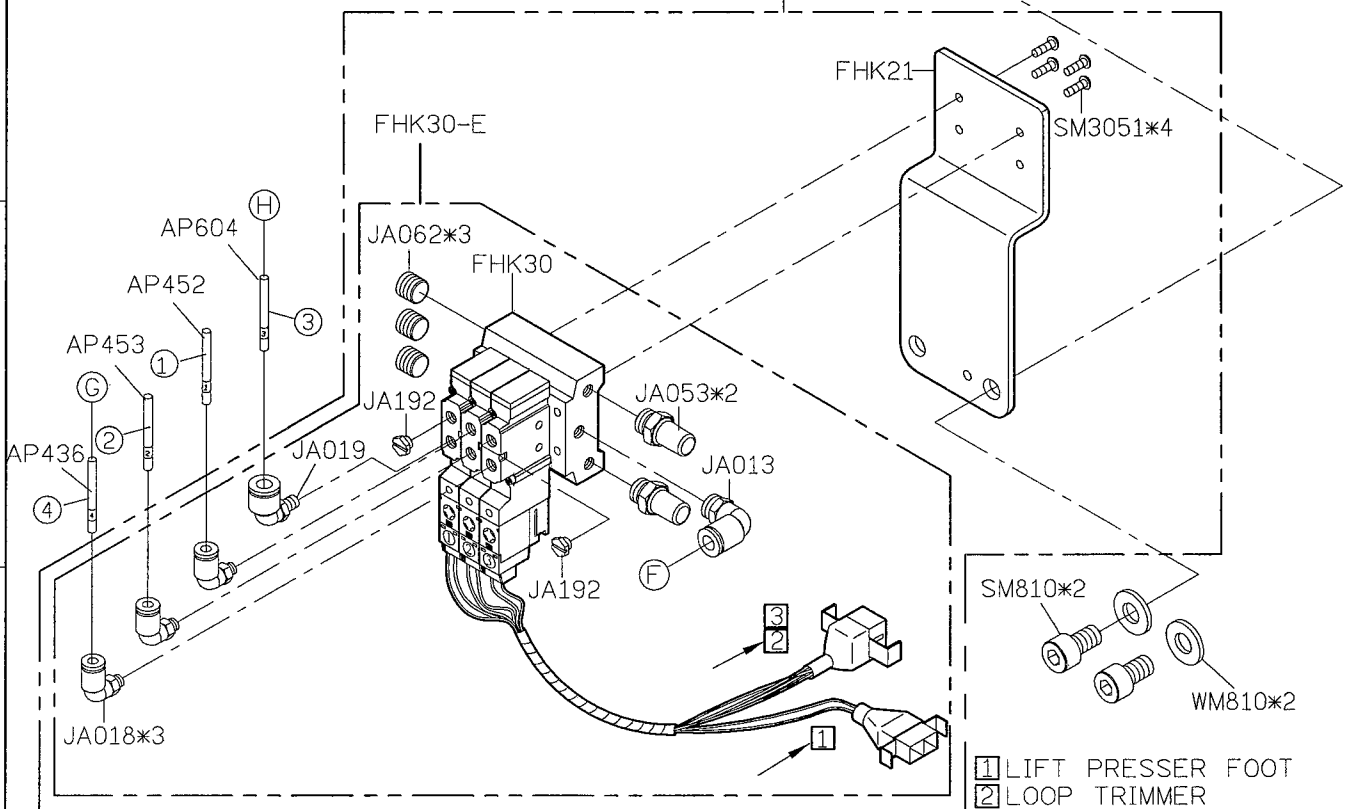
C

D

E



FHK30-A



- 1 LIFT PRESSER FOOT
- 2 LOOP TRIMMER
- 3 TOP CUTTER(WIPER)

1

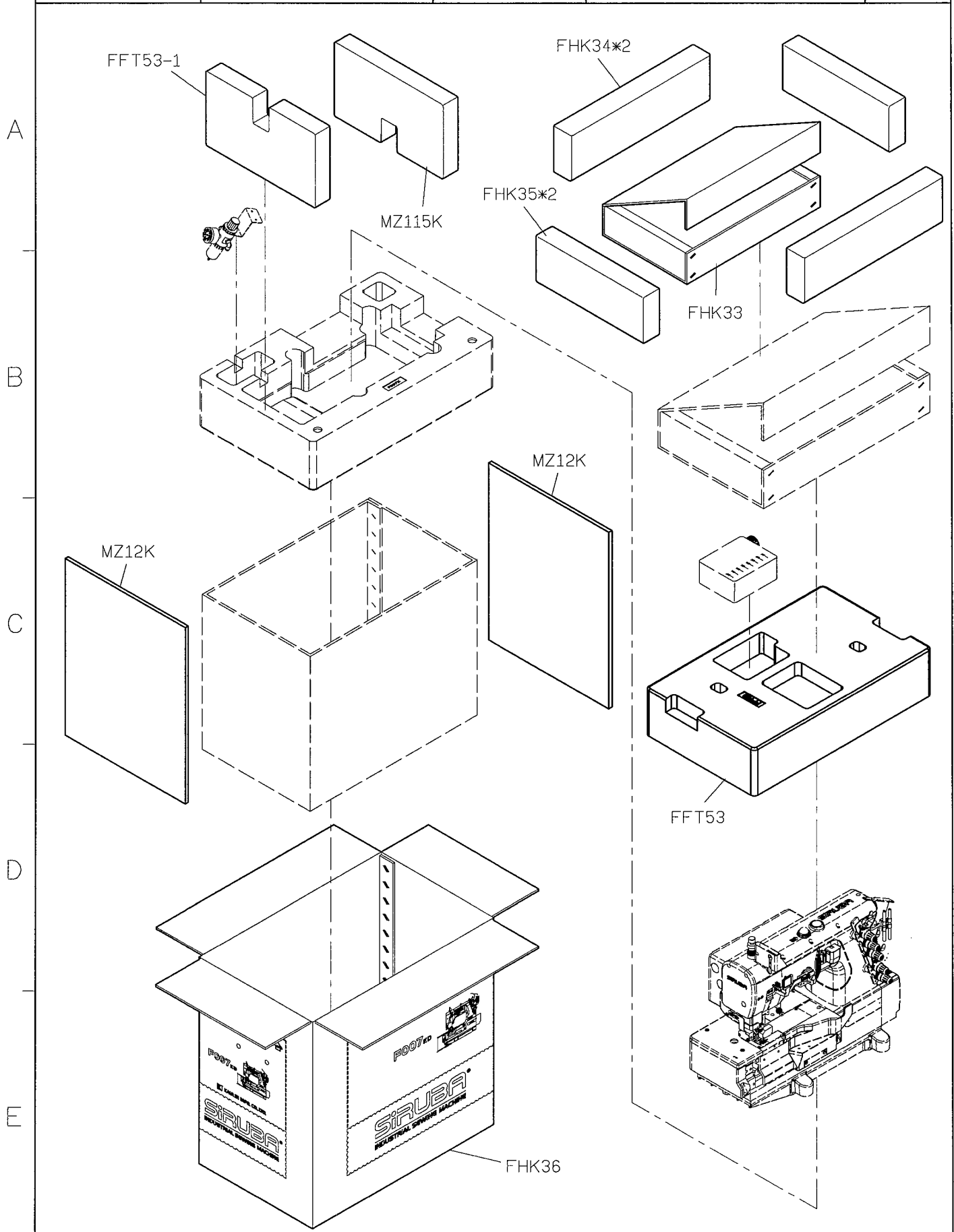
2

3

4

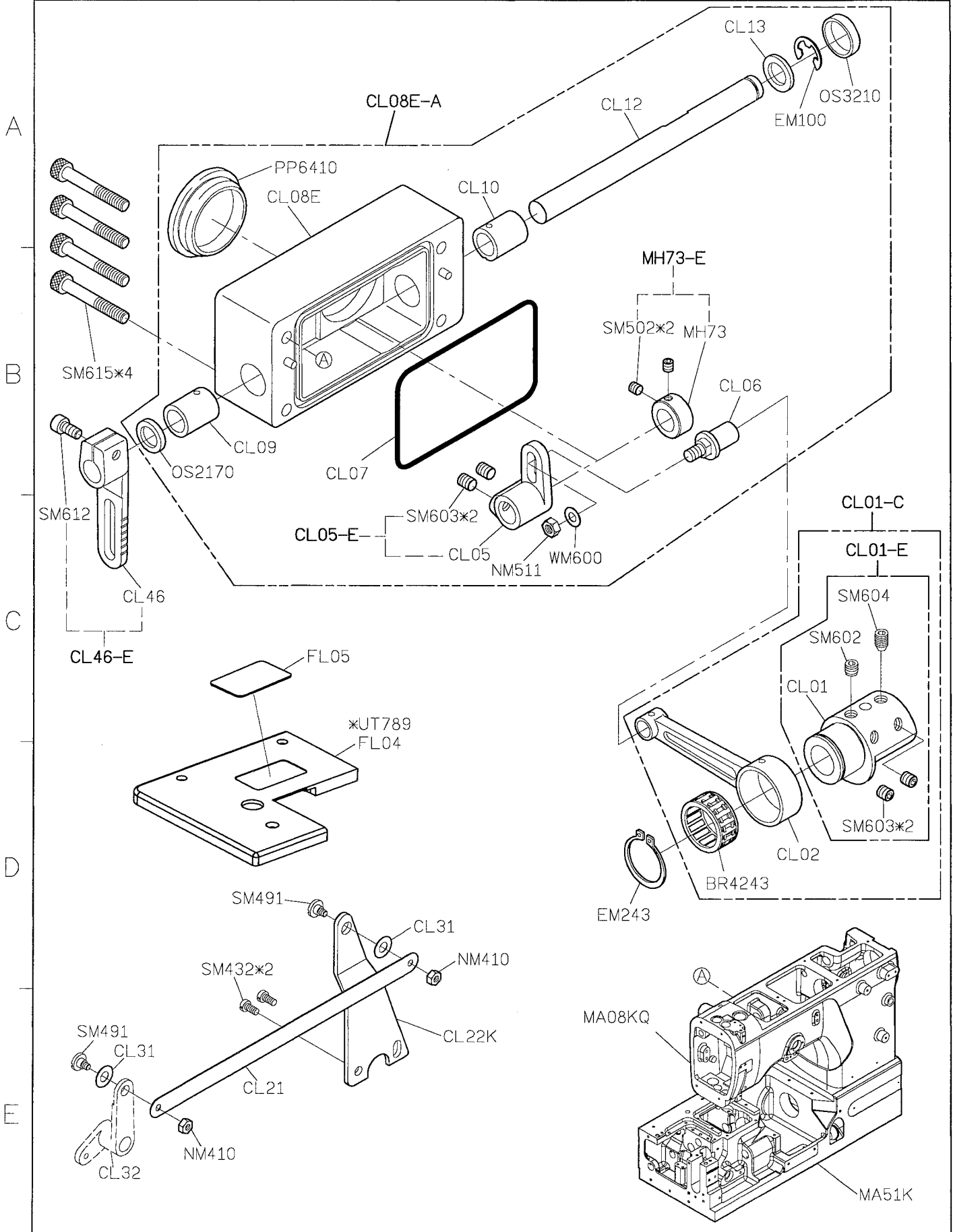
5

| SIRUBA PARTS LIST | Series | Parts Group | Subclass / Remark | Page |
|----------------------|--------------|-------------|------------------------|----------|
| | F007K/F007KD | FHK | For Direct-Drive Motor | 6/6 |
| | | | | Date |
| | | | | 2016/9/5 |



1 2 3 4 5

| SIRUBA PARTS LIST | Series | Parts Group | Subclass / Remark | Page |
|----------------------|-----------------------|-------------|-------------------|----------|
| | F007K/F007KD F858K | FL-K | * For UT | 1/2 |
| | | | | Date |
| | | | | 2016/9/5 |



SIRUBA

PARTS LIST

Series

F007K/F007KD
F858K

Parts Group

FL-K

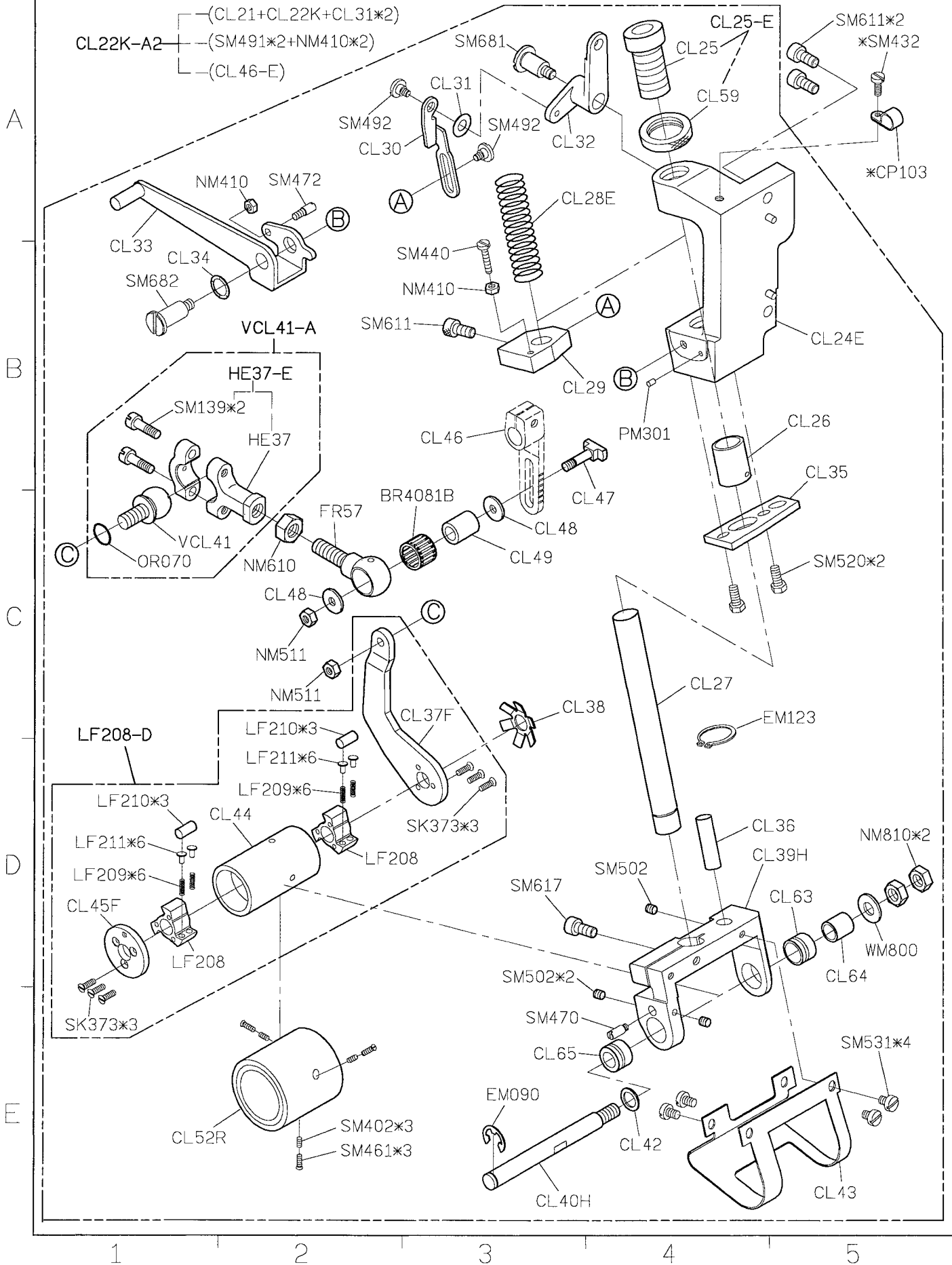
Subclass / Remark

Page

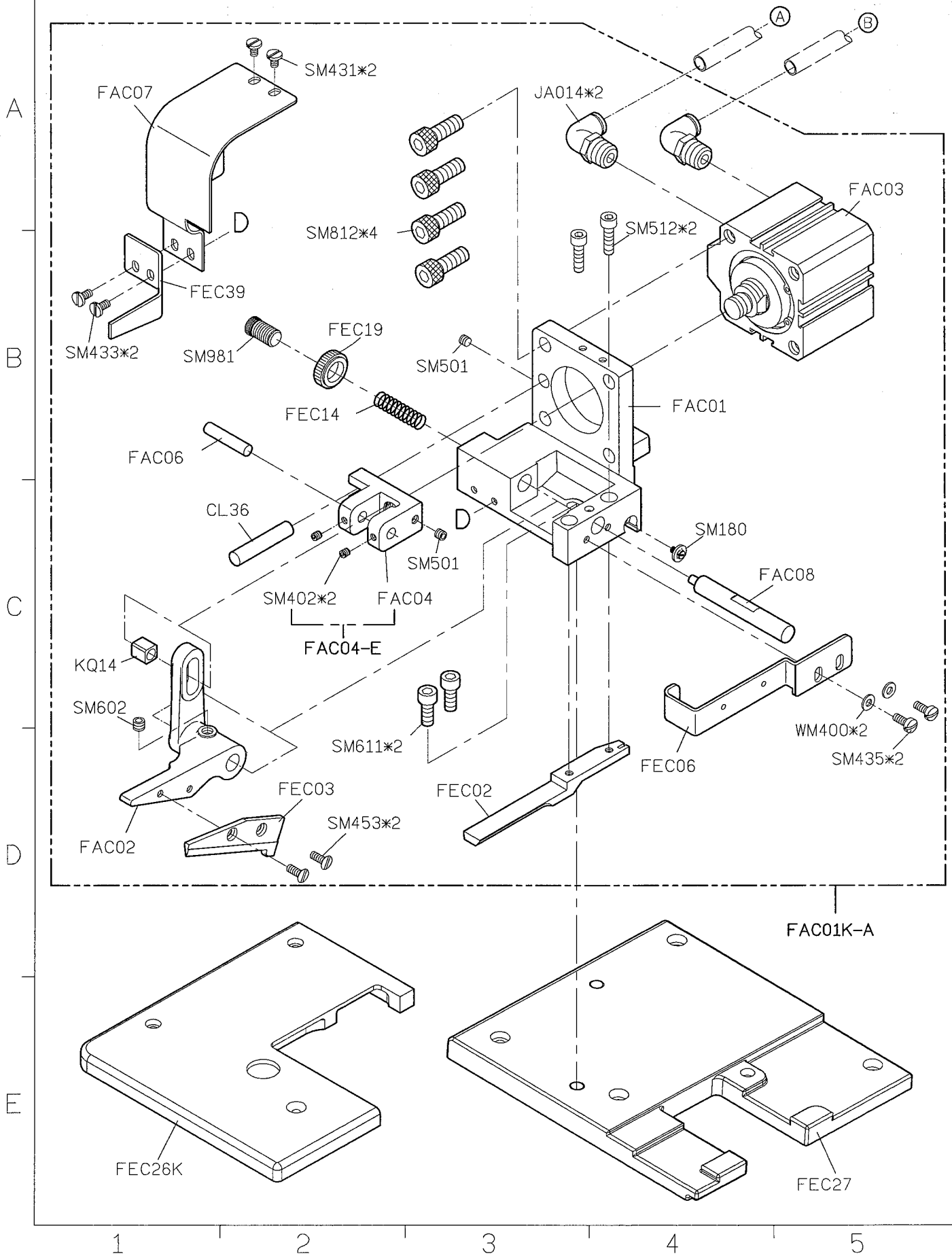
2/2

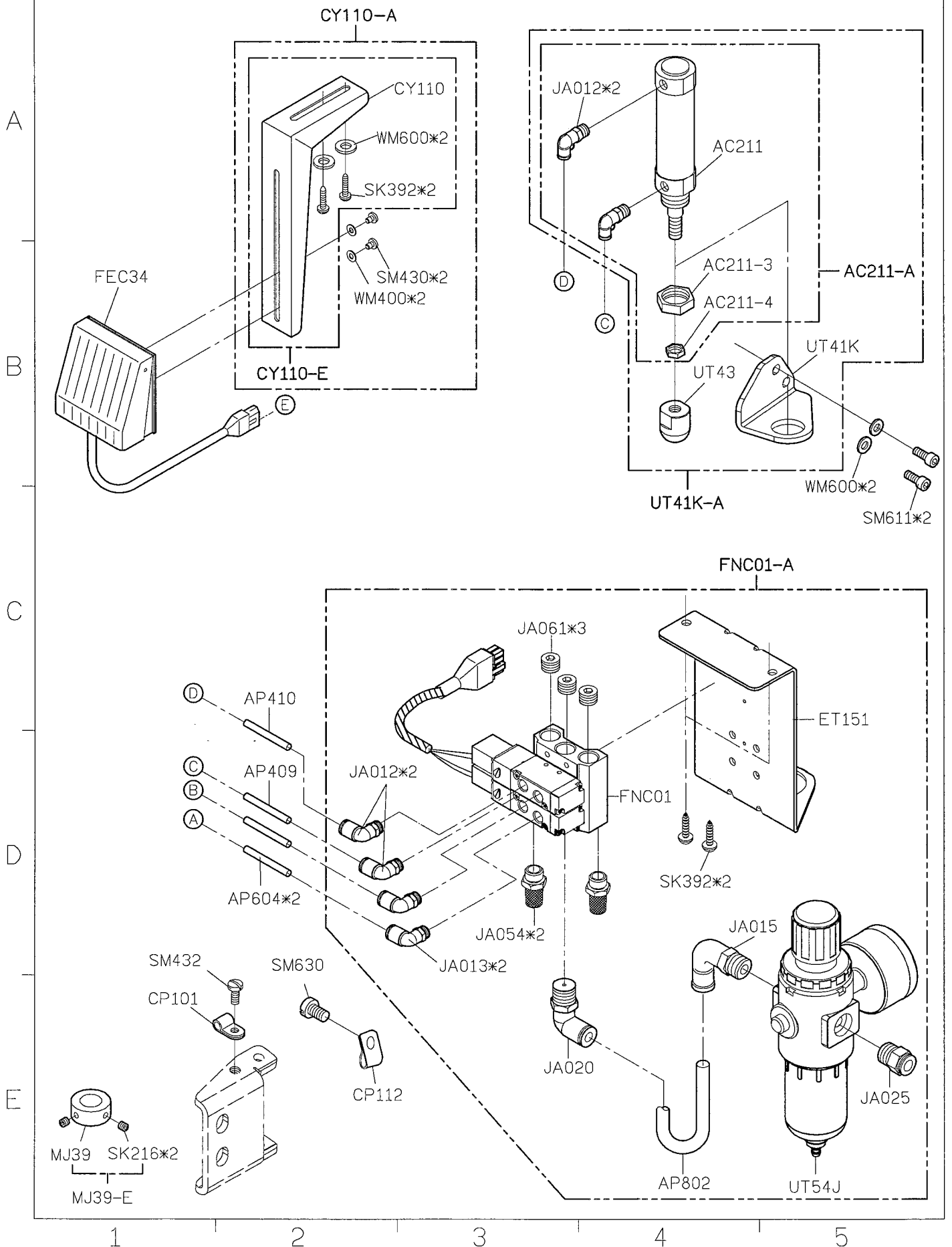
Date

2016/9/5



| SIRUBA PARTS LIST | Series | Parts Group | Subclass / Remark | Page |
|----------------------|-----------------------|-------------|-------------------------|------------------|
| | F007K/F007KD F858K | FNC | With Direct-Drive Motor | 1/3 |
| | | | | Date 2016/9/9 |





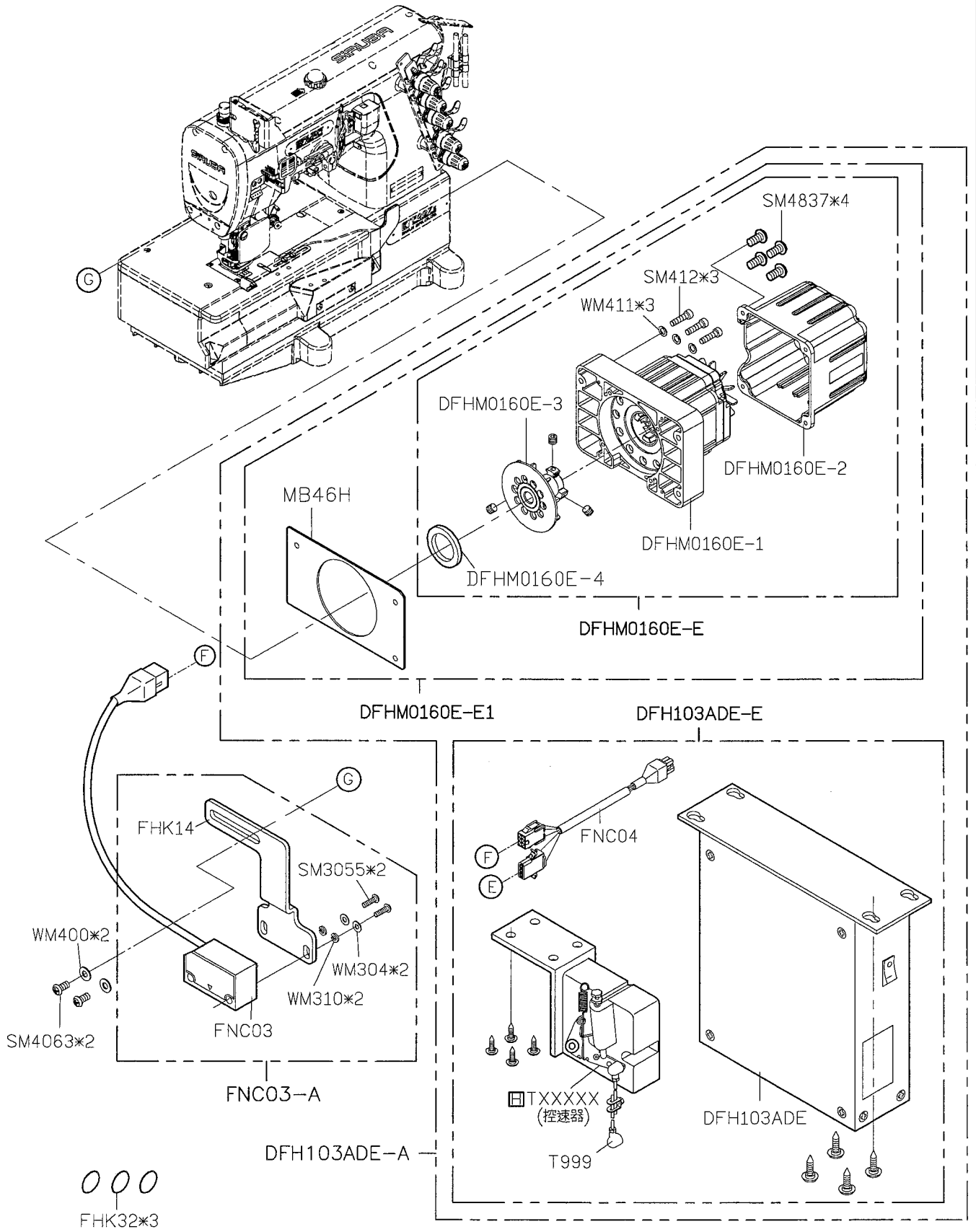
A

B

C

D

E



| SIRUBA PARTS LIST | Series | Parts Group | Subclass / Remark | Page |
|-----------------------------|-----------------------|-------------|-------------------|------|
| | F007K/F007KD F858K | FP-K | | 1/1 |
| | | | | Date |
| | 2016/9/5 | | | |

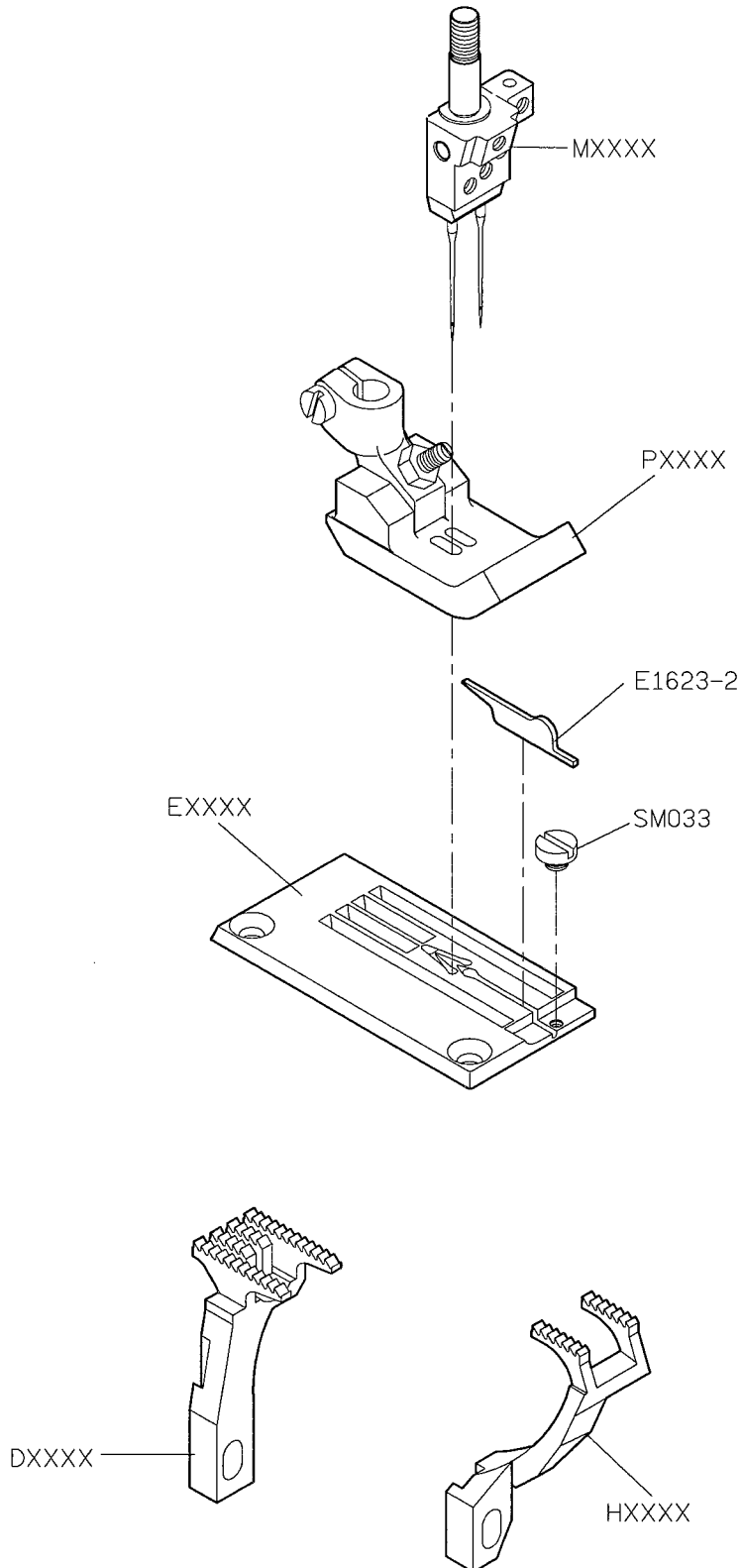
A

B

C

D

E



1

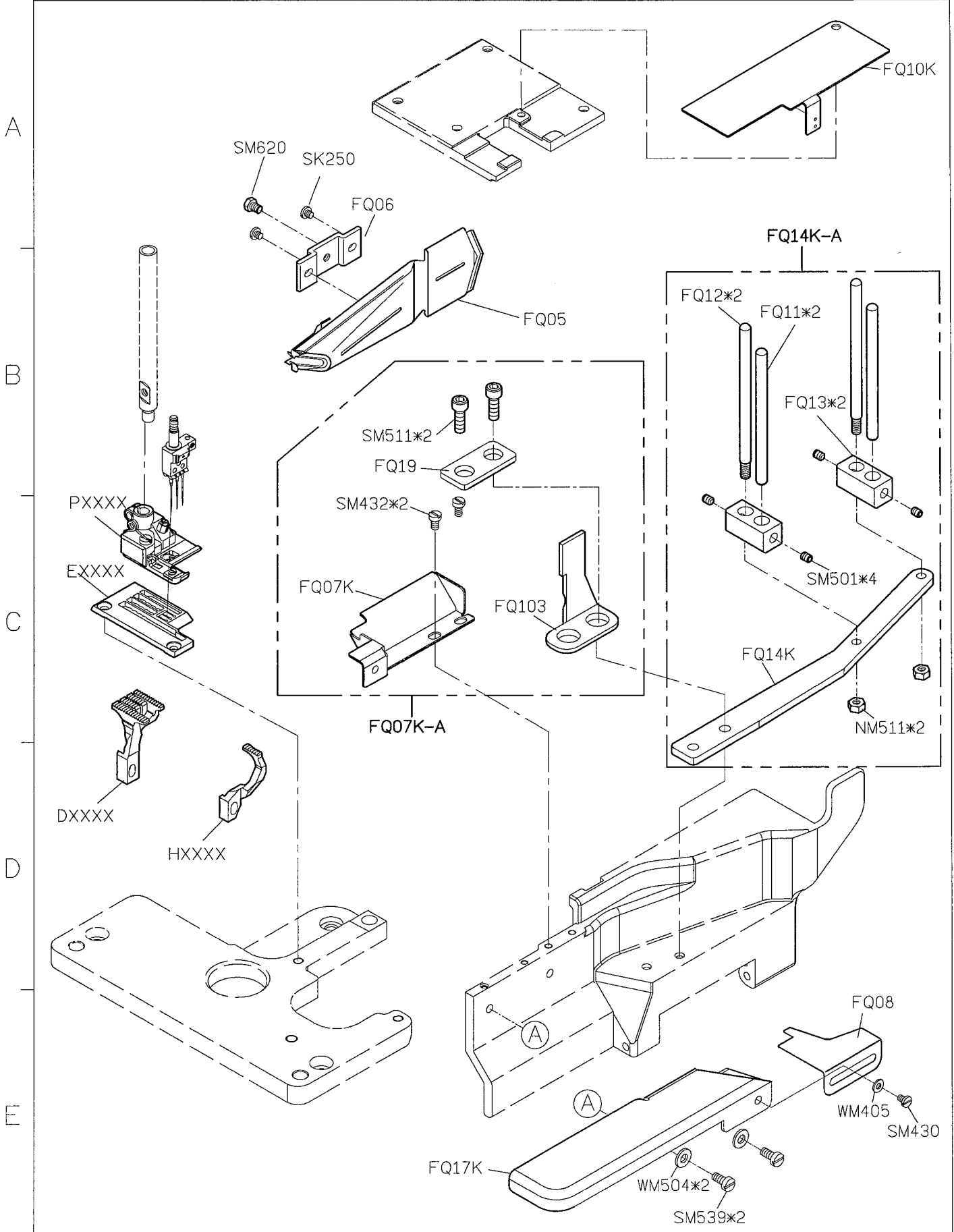
2

3

4

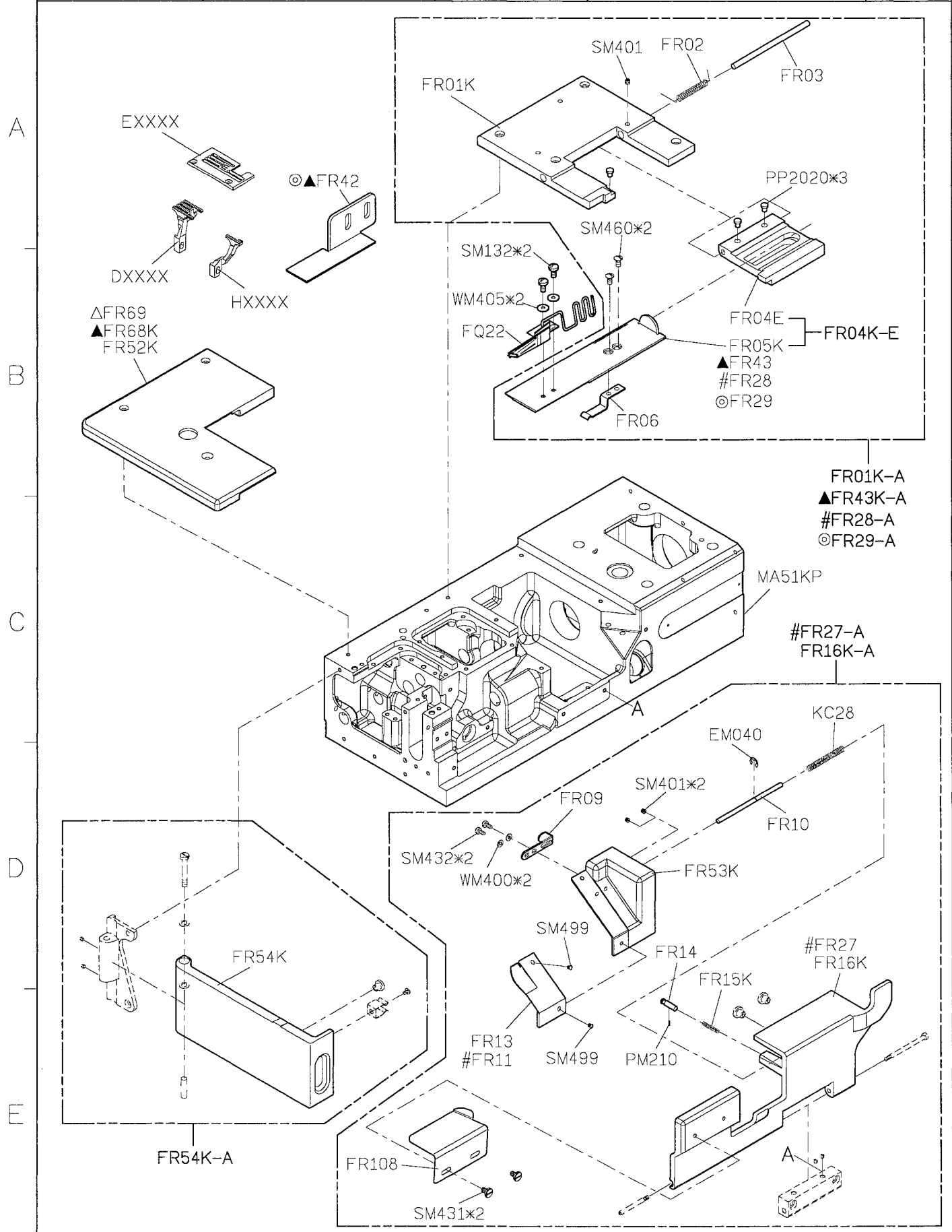
5

| SIRUBA PARTS LIST | Series | Parts Group | Subclass / Remark | Page |
|----------------------|--------------|-------------|-------------------|----------|
| | F007K/F007KD | FQ-K | | 1/1 |
| | F858K | | | Date |
| | | | | 2016/9/5 |



1 2 3 4 5

| SIRUBA PARTS LIST | Series | Parts Group | Subclass / Remark | Page |
|----------------------|-----------------------|------------------|---|----------|
| | F007K/F007KD F858K | FR-K FR/FQS-K | ▲: Use for FR/FAC(FEC) #: Use for FR/FQS ◎: Use for FR/FQS/FAC(FEC) △: Use for FR/FAC(FEC)SHORT KNIFE短刀 | 1/3 |
| | | | | Date |
| | | | | 2016/9/5 |



| SIRUBA PARTS LIST | Series | Parts Group | Subclass / Remark | Page |
|----------------------|-----------------------|------------------|--|----------|
| | F007K/F007KD F858K | FR-K FR/FQS-K | △: Use for FR-232 #: Use for FR/FQS | 2/3 |
| | | | | Date |
| | | | | 2016/9/5 |

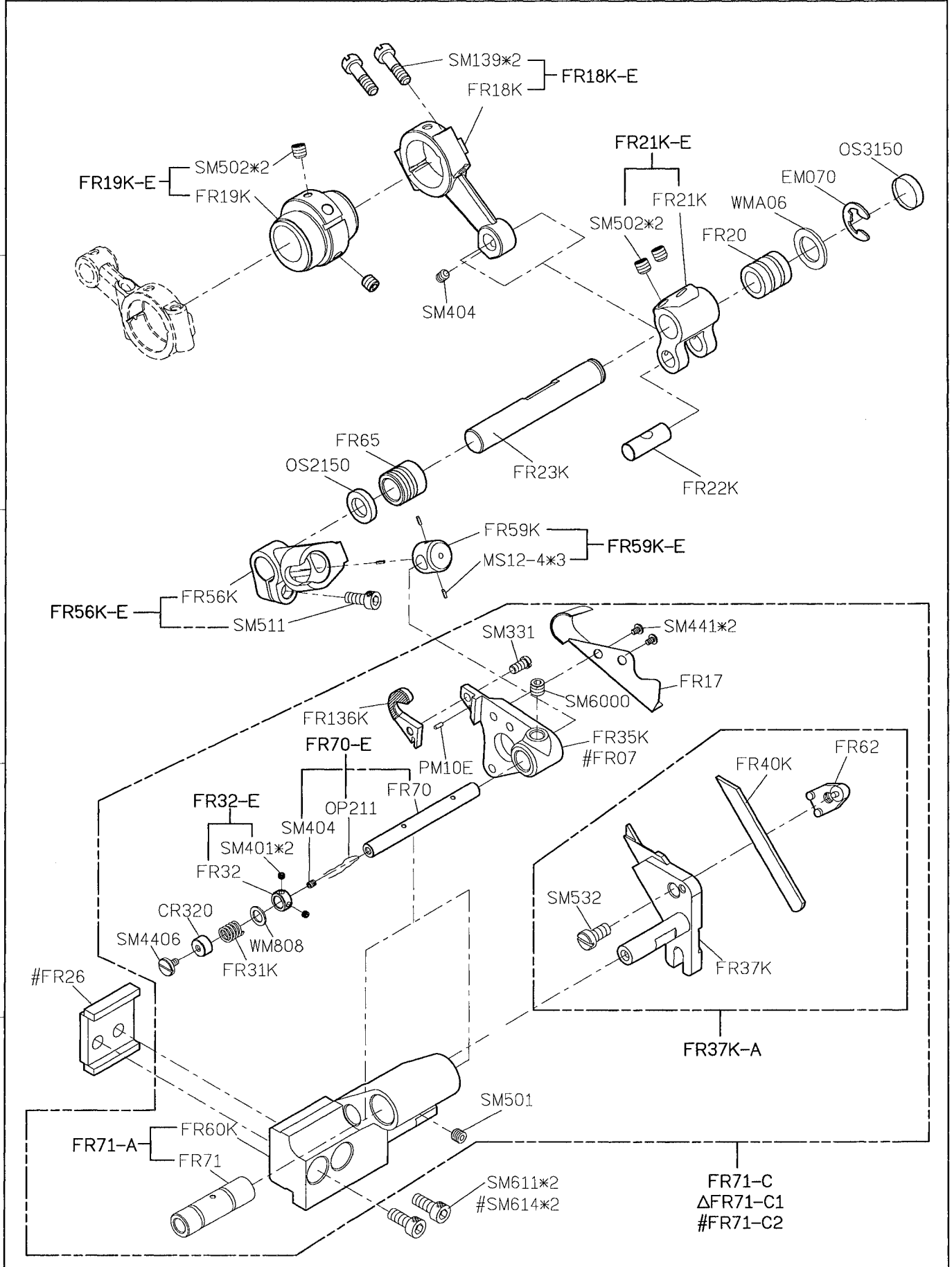
A

B

C

D

E



1

2

3

4

5

| SIRUBA PARTS LIST | Series | Parts Group | Subclass / Remark | Page |
|----------------------|-----------------------|------------------|-------------------|----------|
| | F007K/F007KD F858K | FR-K FR/FQS-K | | 3/3 |
| | | | | Date |
| | | | | 2016/9/5 |

FR66-A

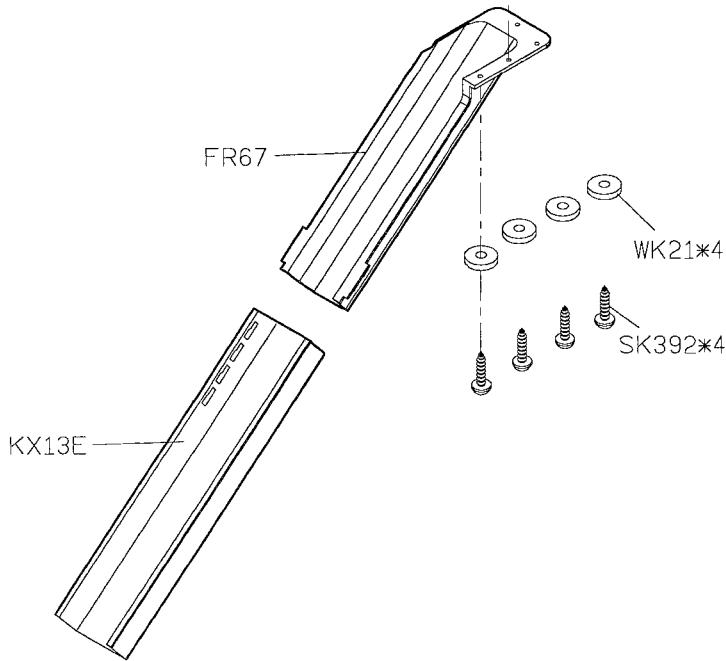
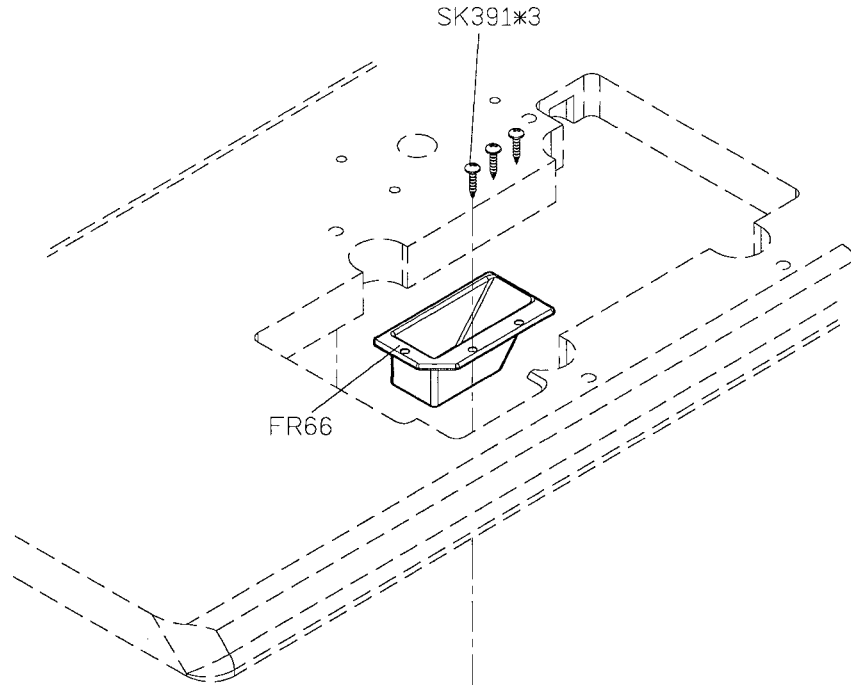
A

B

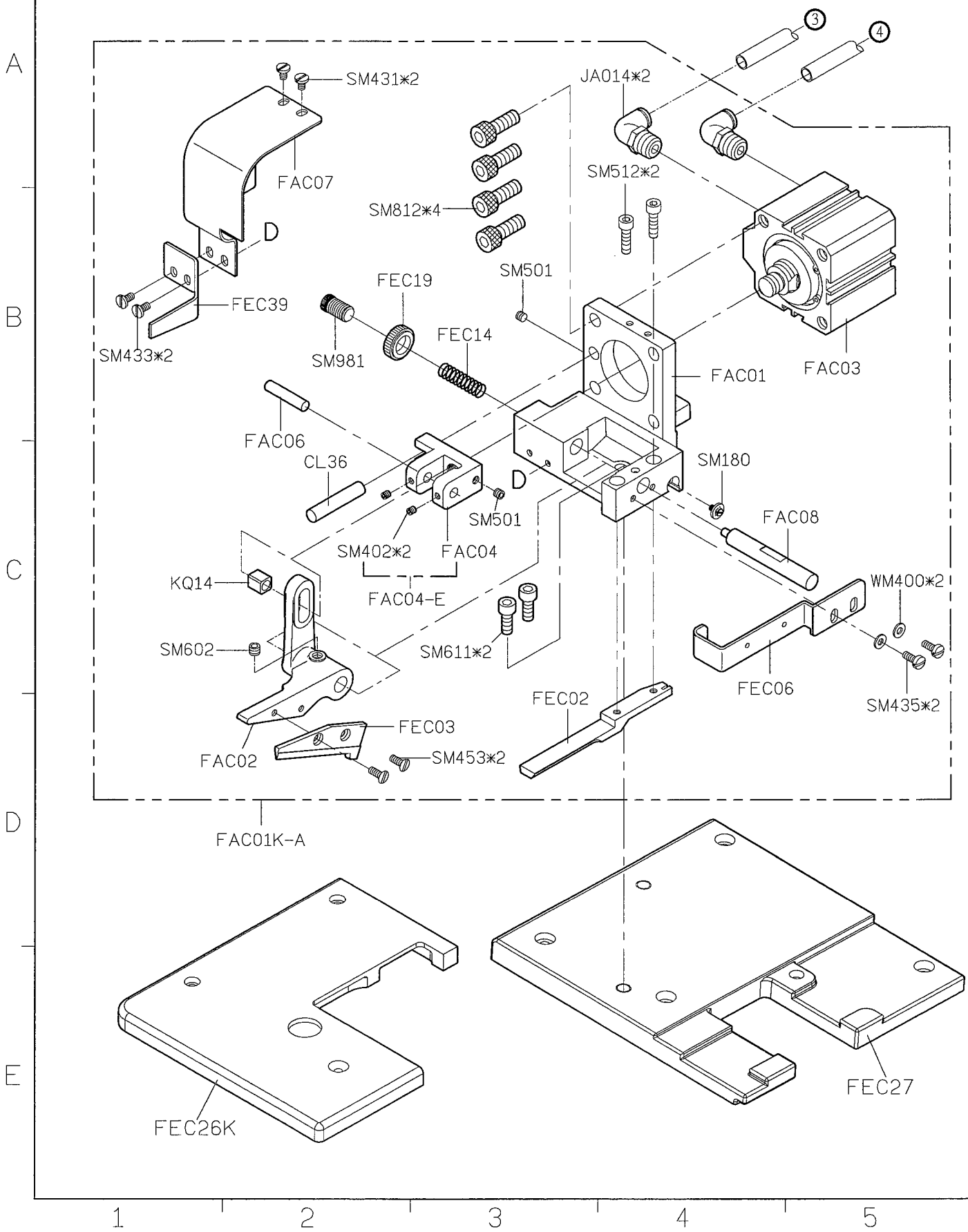
C

D

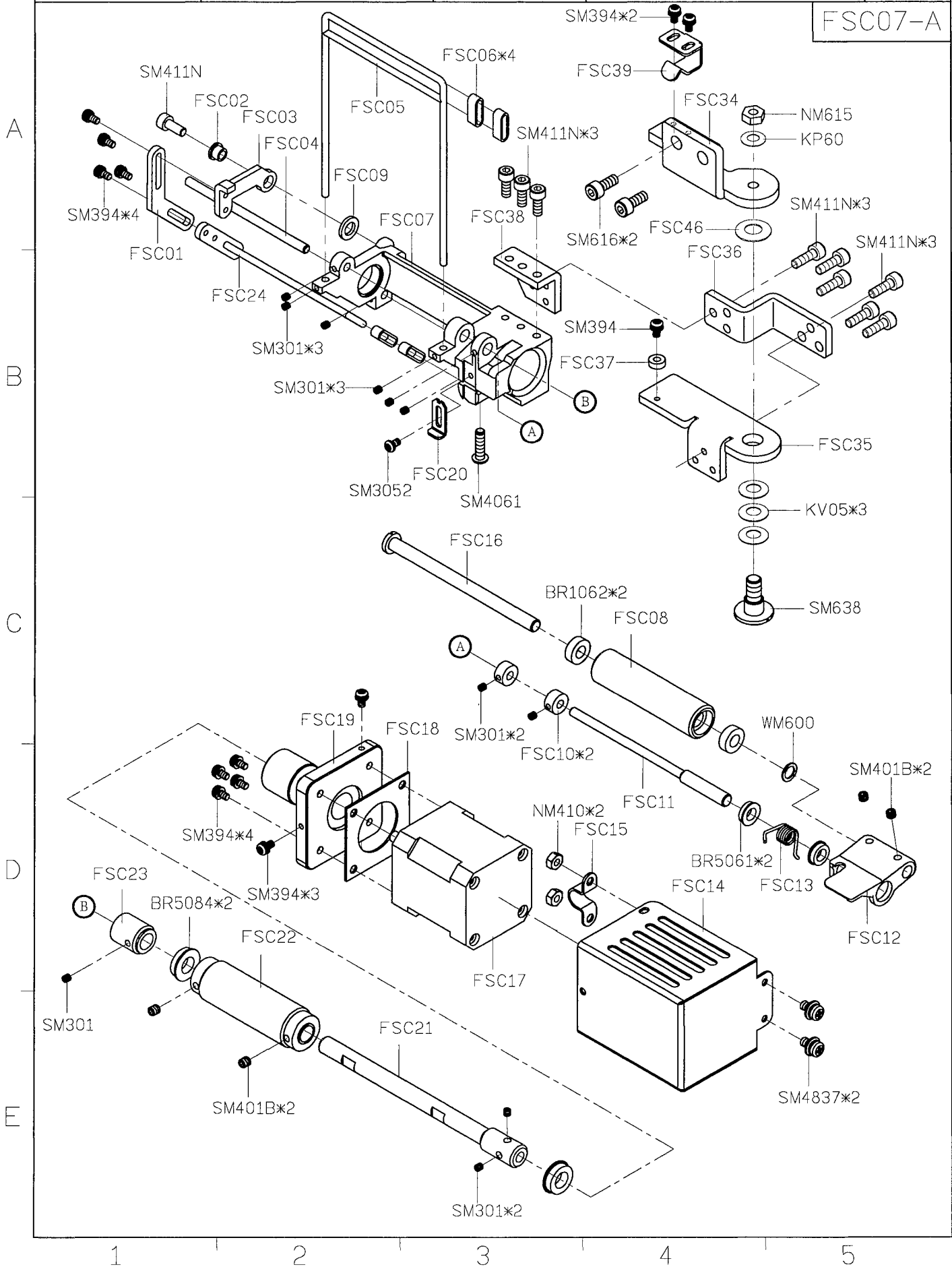
E



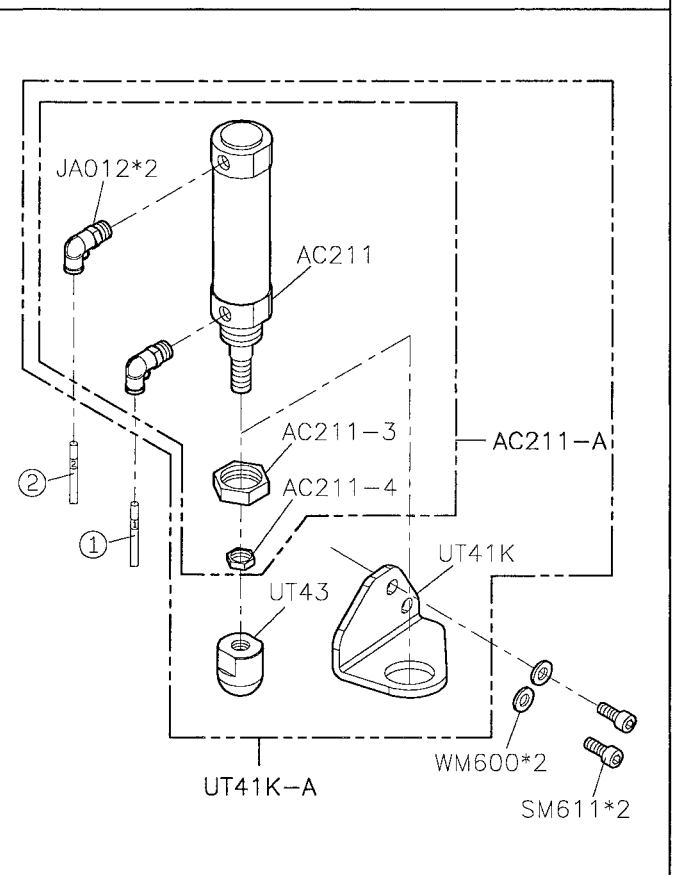
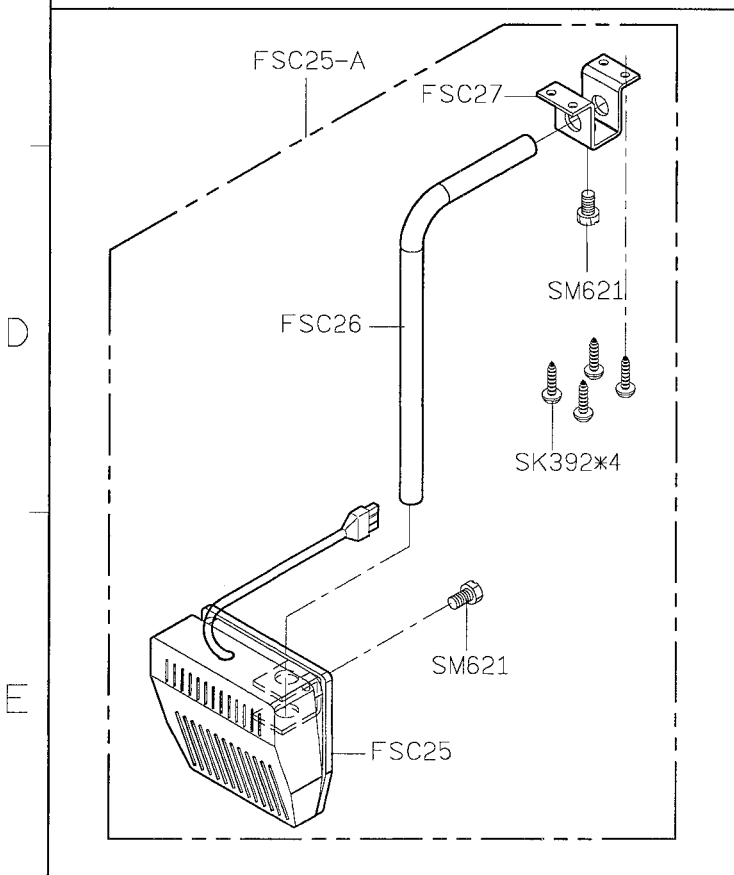
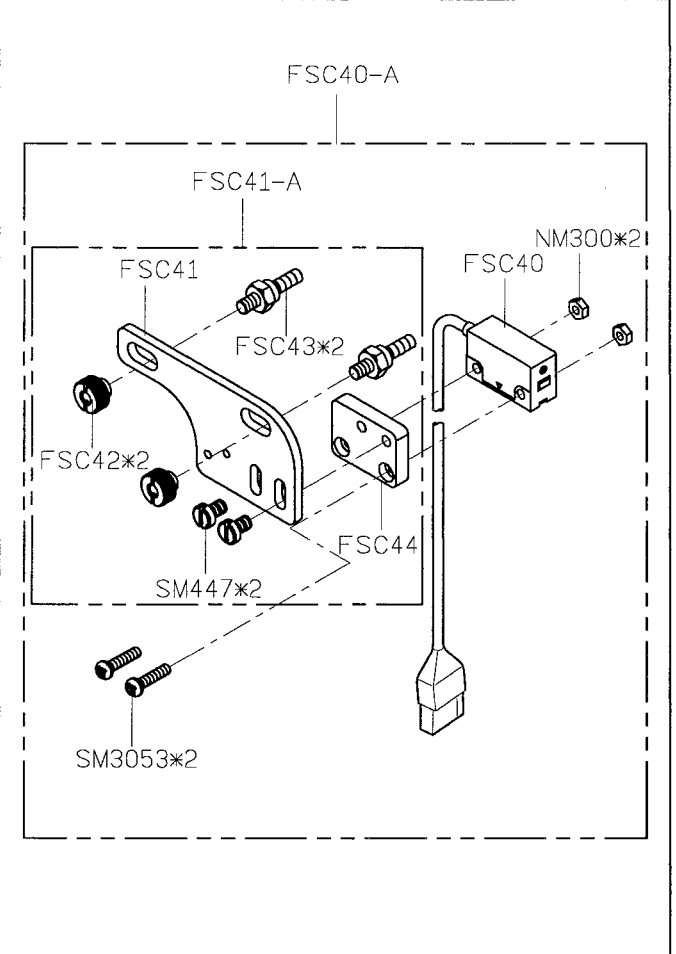
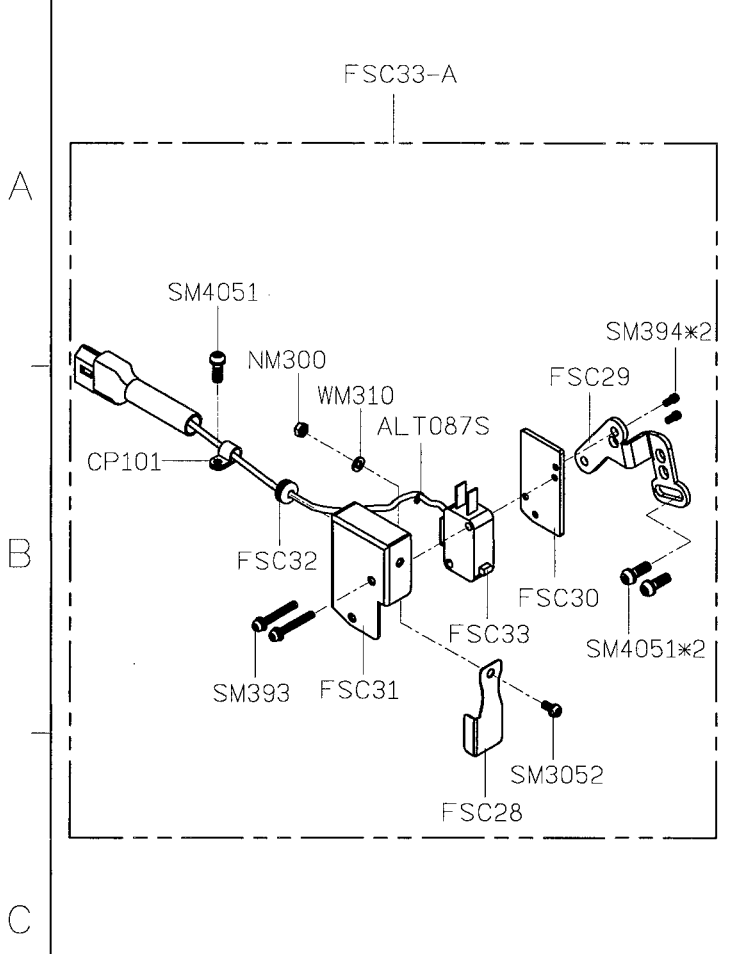
| SIRUBA PARTS LIST | Series | Parts Group | Subclass / Remark | Page |
|----------------------|--------|-------------|-------------------------|--------------------|
| | F007KD | FSC | With Direct-Drive Motor | 1/5 |
| | | | | Date 2016/08/19 |



FSC07-A

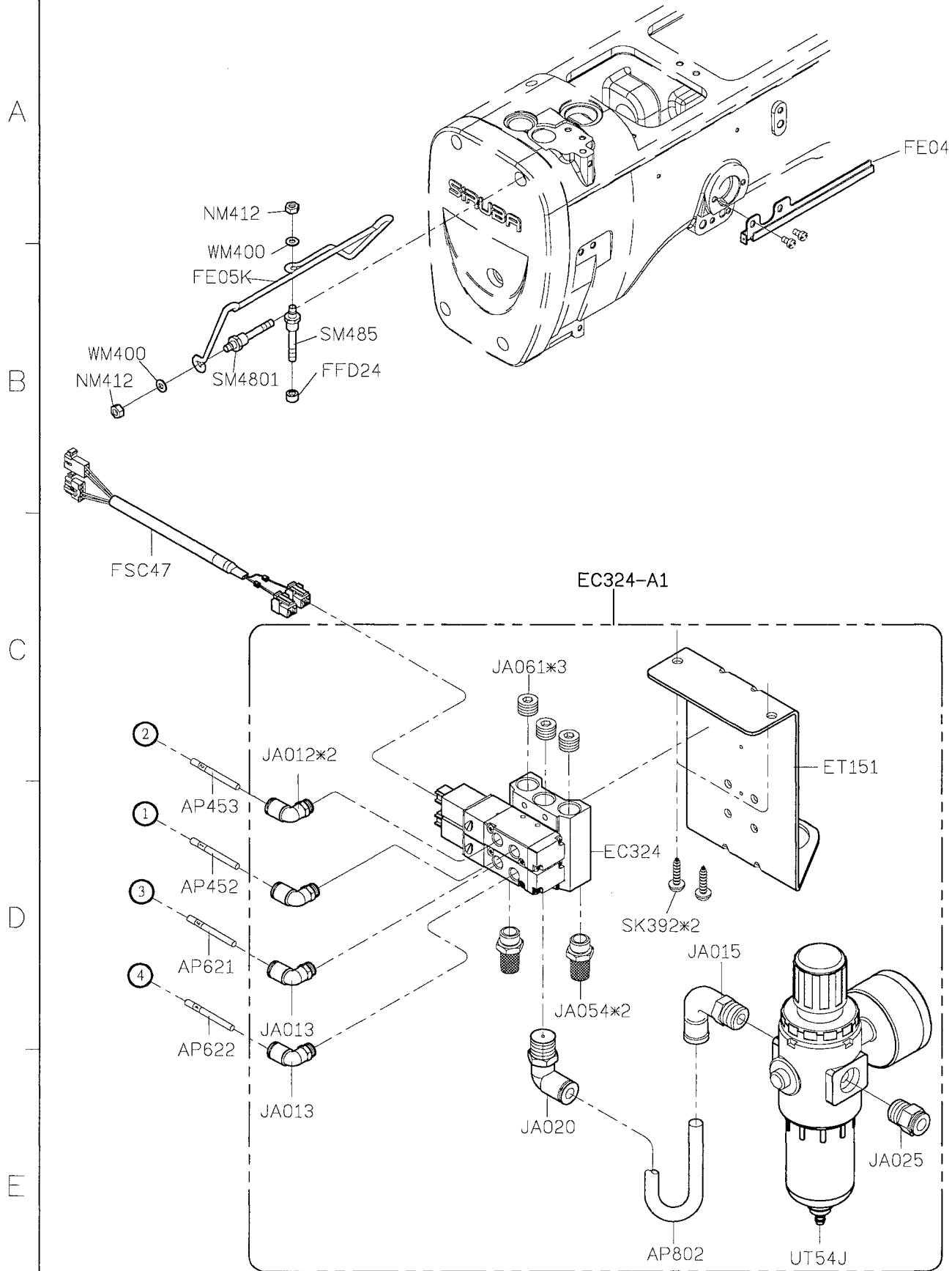


| | | | | |
|-----------------------------|---------------|-------------|-------------------------|------------|
| SIRUBA PARTS LIST | Series | Parts Group | Subclass / Remark | Page |
| | F007KD | FSC | With Direct-Drive Motor | 3/5 |
| | | | | Date |
| | | | | 2016/08/19 |

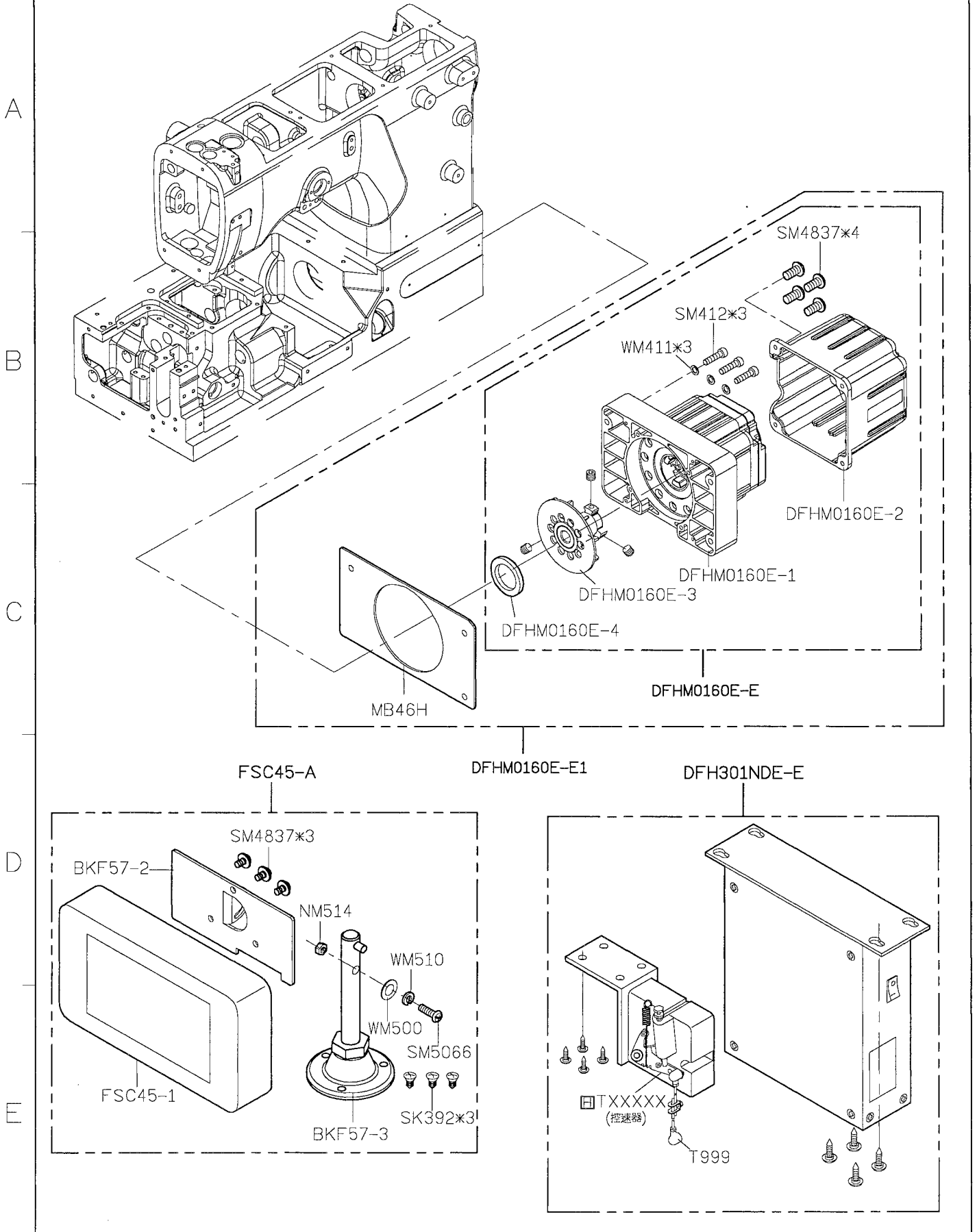


1 2 3 4 5

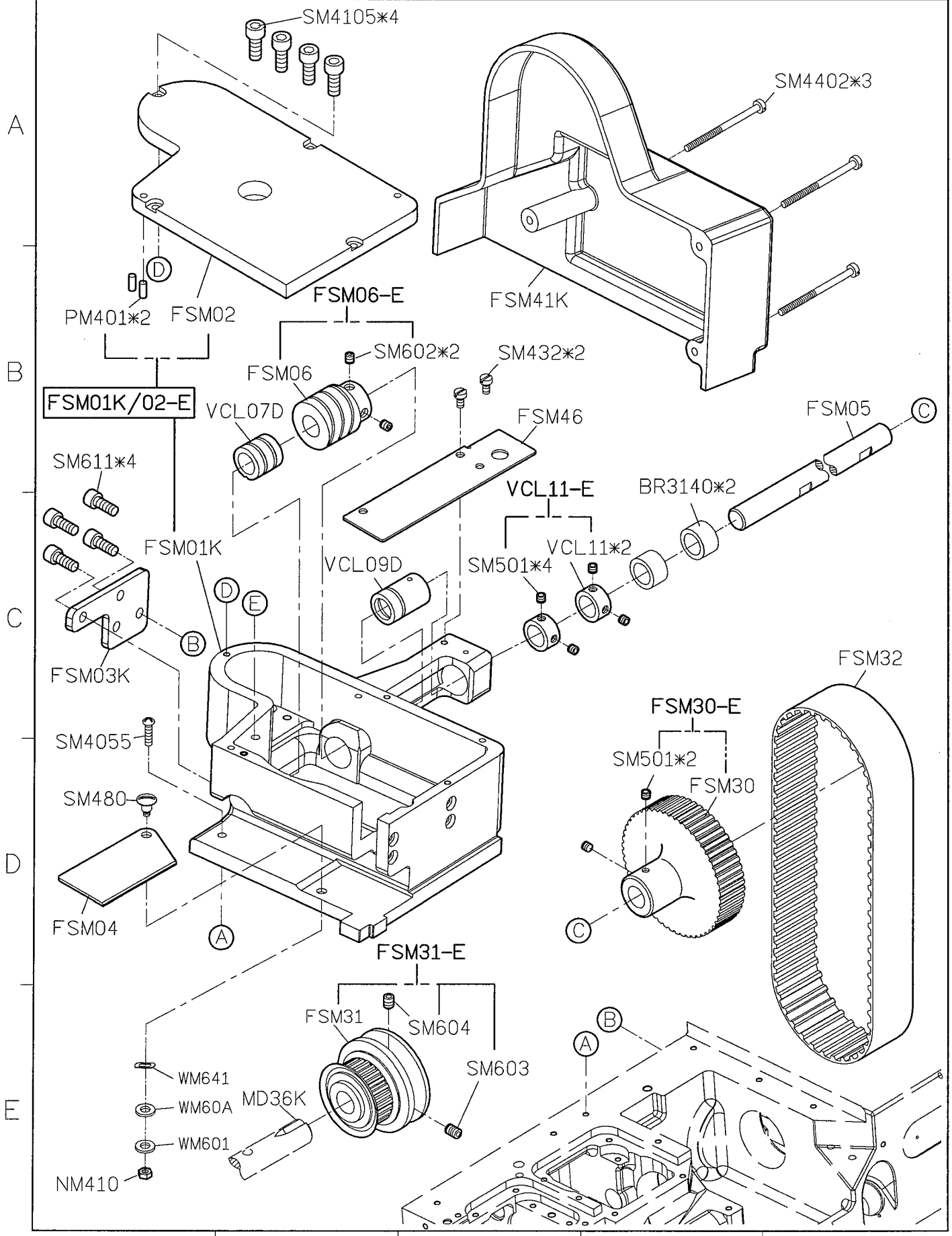
| SIRUBA PARTS LIST | Series | Parts Group | Subclass / Remark | Page |
|----------------------|--------|-------------|-------------------------|------------|
| | F007KD | FSC | With Direct-Drive Motor | 4/5 |
| | | | | Date |
| | | | | 2016/10/12 |



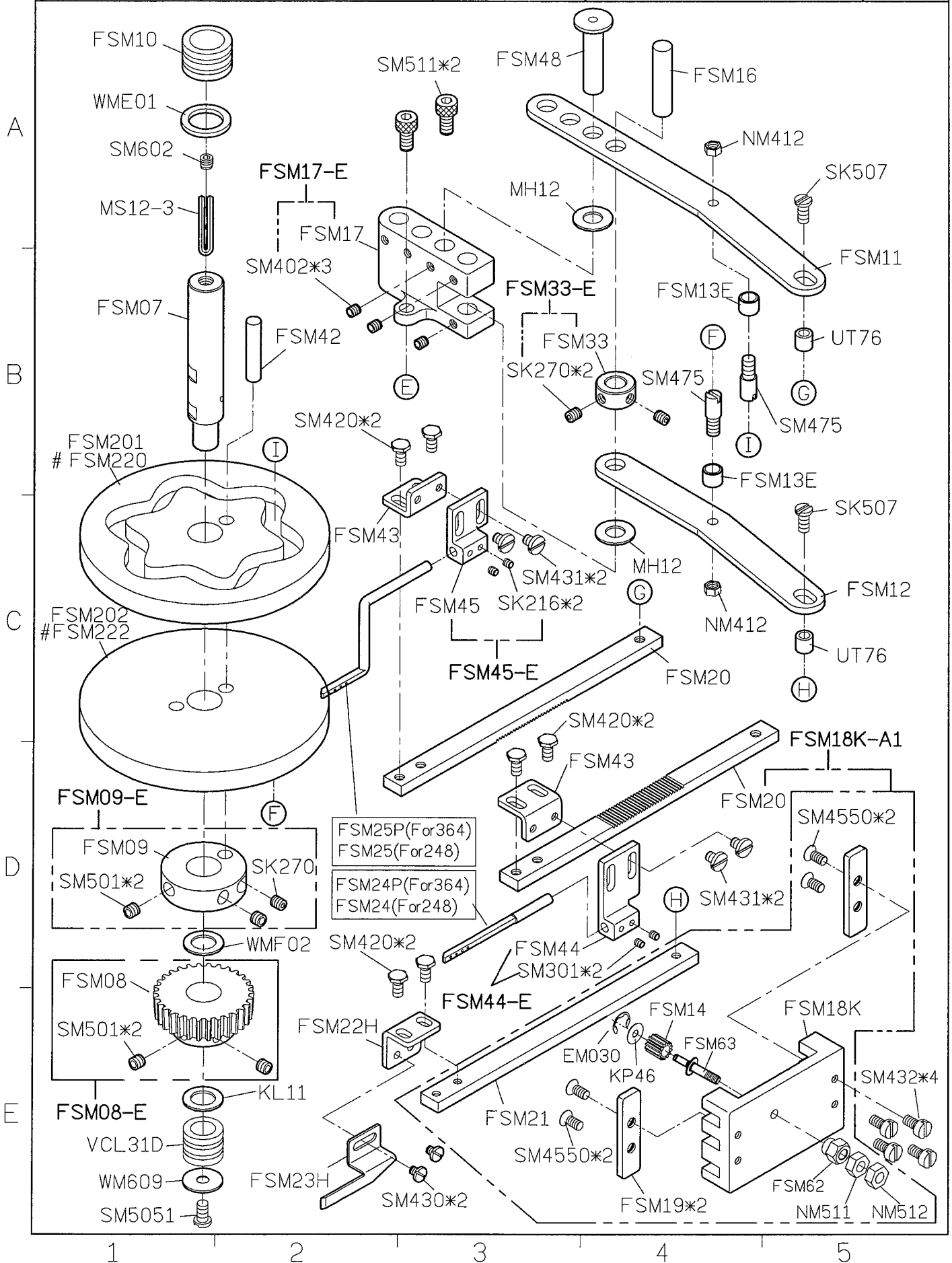
| SIRUBA PARTS LIST | Series | Parts Group | Subclass / Remark | Page |
|----------------------|--------|-------------|-------------------------|--------------------|
| | F007KD | FSC | With Direct-Drive Motor | 5/5 |
| | | | | Date 2016/10/12 |



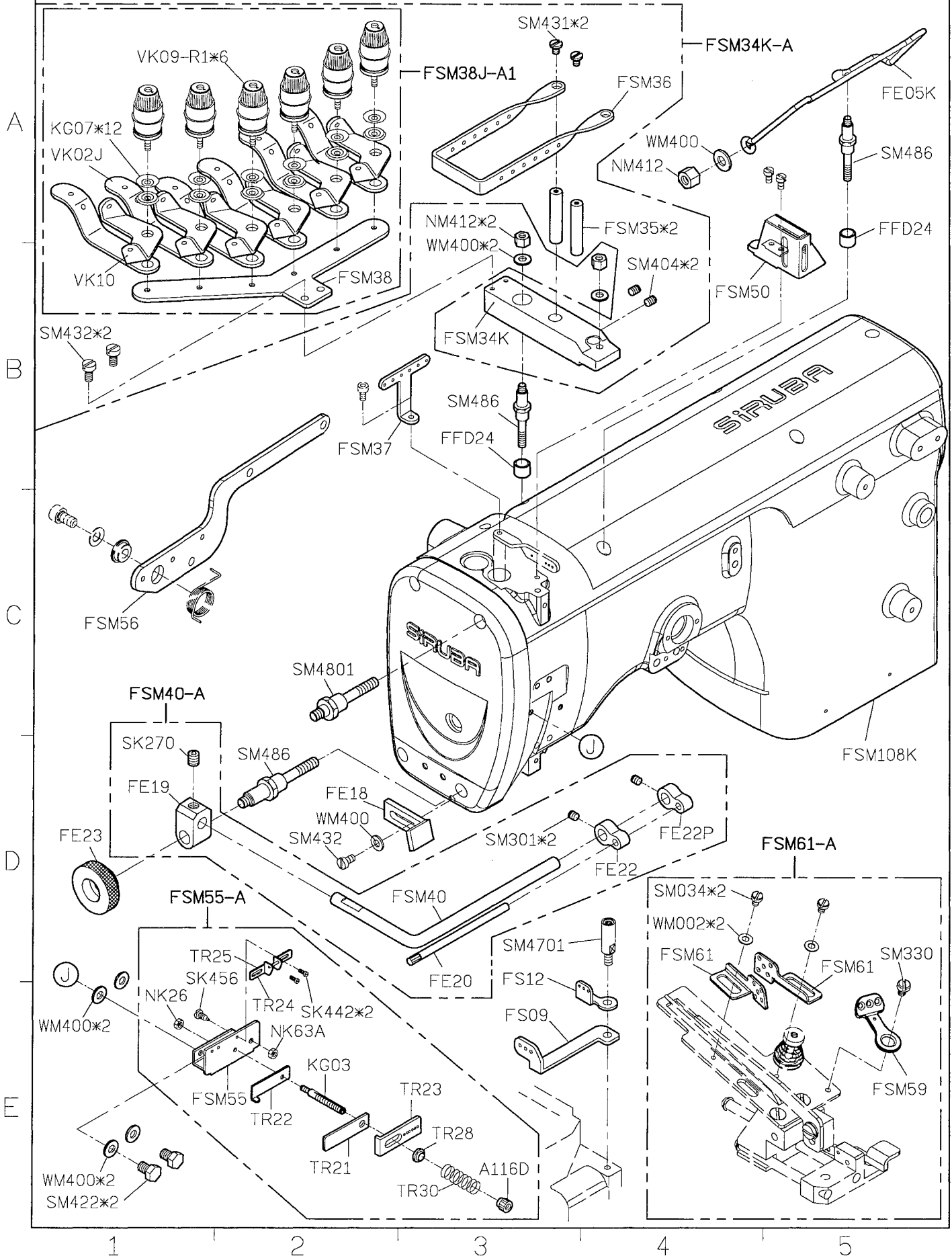
| SIRUBA PARTS LIST | Series | Parts Group | Subclass / Remark | Page |
|----------------------|--------|-------------|----------------------------|-----------|
| | F007K | FSM-K | Not for Direct-Drive Motor | 1/6 |
| | F858K | | | Date |
| | | | | 2016/4/17 |



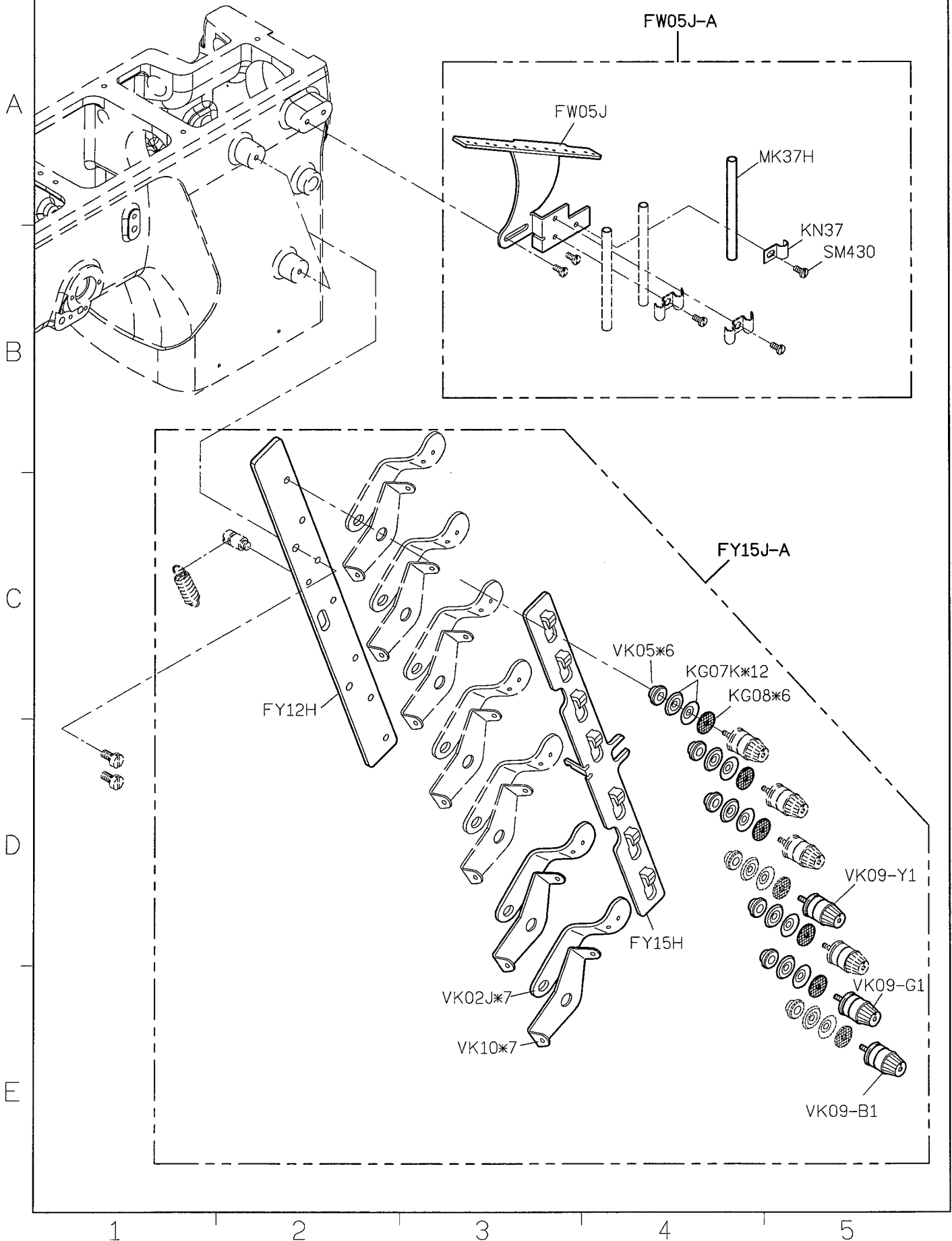
| SIRUBA PARTS LIST | Series | Parts Group | Subclass / Remark | Page |
|----------------------|--------|-------------|---|-----------|
| | F007K | FSM-K | Not for Direct-Drive Motor # FSM220/222 are backup | 2/6 |
| | F858K | | | Date |
| | | | | 2016/4/17 |



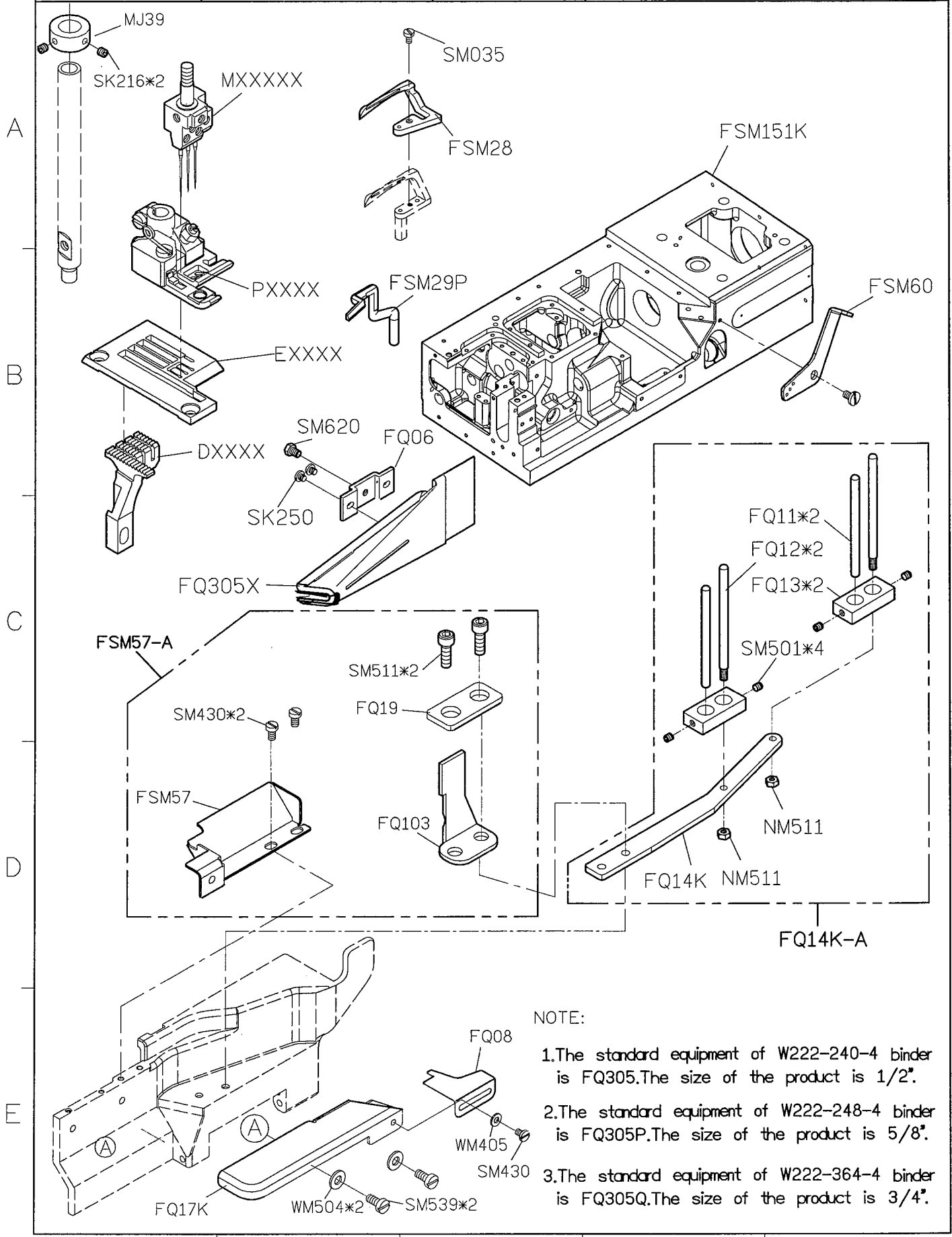
| SIRUBA PARTS LIST | Series | Parts Group | Subclass / Remark | Page |
|----------------------|--------|-------------|----------------------------|-----------|
| | F007K | FSM-K | Not for Direct-Drive Motor | 3/6 |
| | F858K | | | Date |
| | | | | 2016/4/17 |



| SIRUBA PARTS LIST | Series | Parts Group | Subclass / Remark | Page |
|----------------------|----------------|-------------|----------------------------|-------------------------|
| | F007K F858K | FSM-K | Not for Direct-Drive Motor | 4/6 Date 2016/6/8 |



| SIRUBA PARTS LIST | Series | Parts Group | Subclass / Remark | Page |
|----------------------|--------|-------------|----------------------------|-----------|
| | F007K | FSM-K | Not for Direct-Drive Motor | 5/6 |
| | F858K | | | Date |
| | | | | 2016/4/17 |

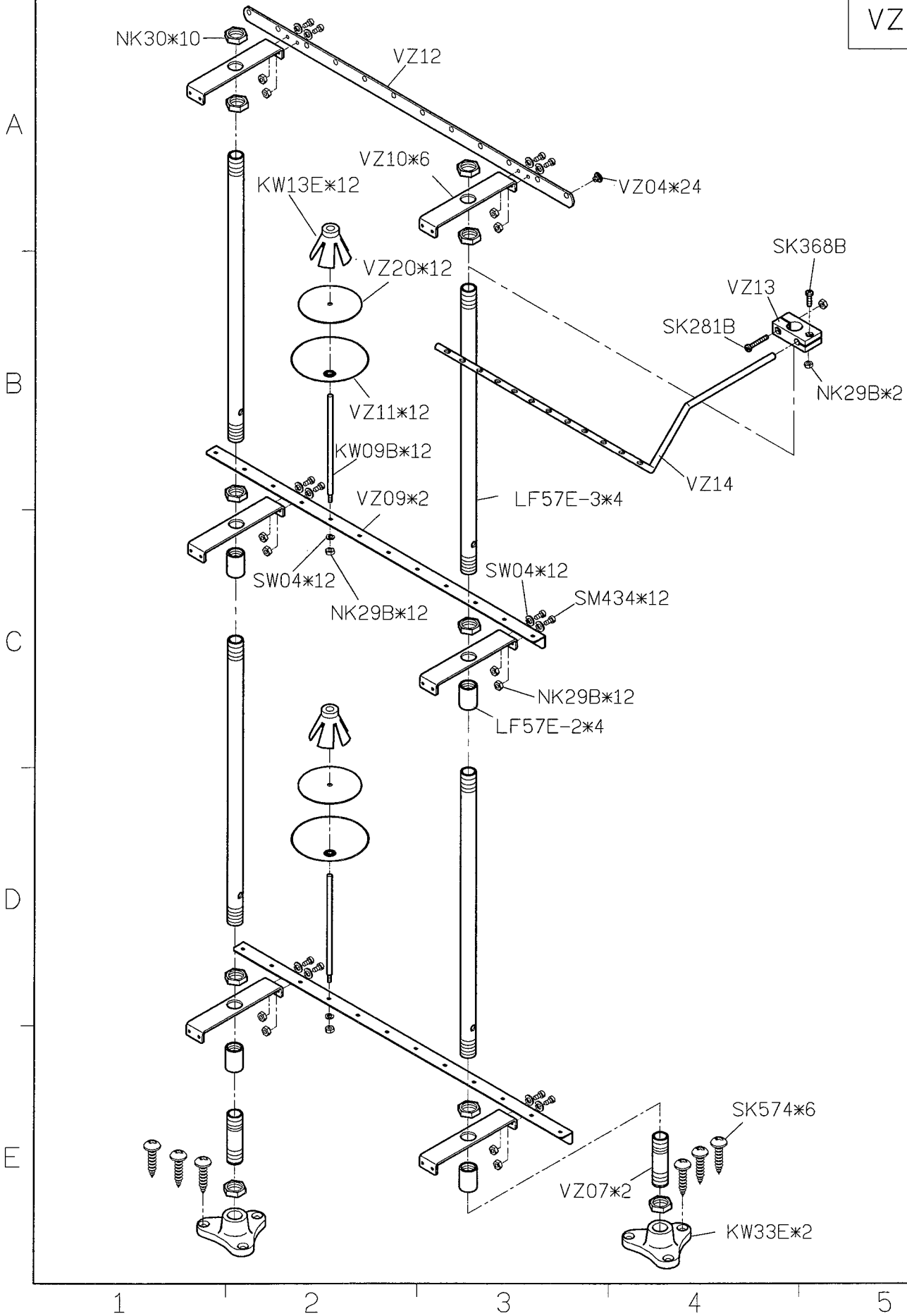


NOTE:

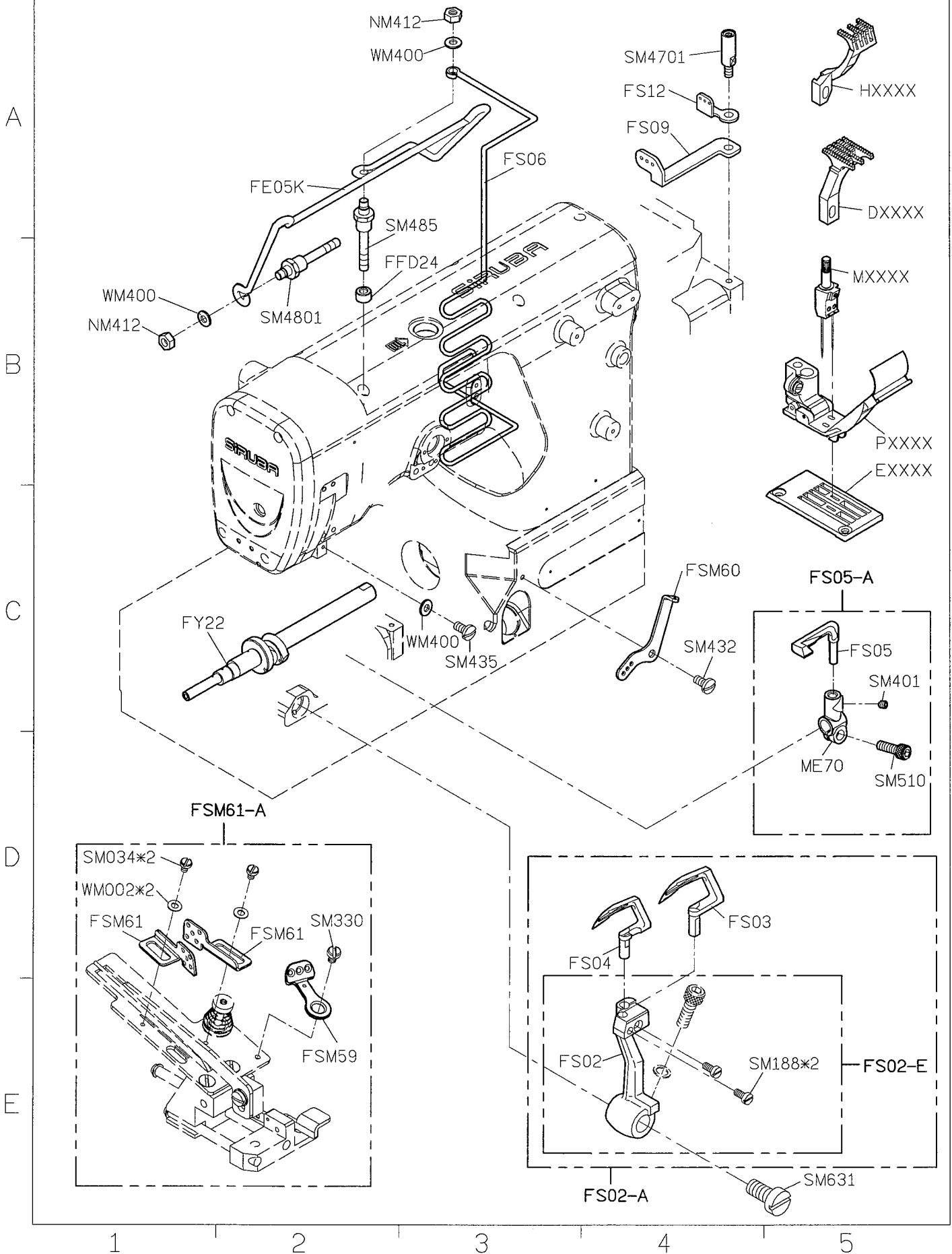
- 1.The standard equipment of W222-240-4 binder is FQ305.The size of the product is 1/2".
- 2.The standard equipment of W222-248-4 binder is FQ305P.The size of the product is 5/8".
- 3.The standard equipment of W222-364-4 binder is FQ305Q.The size of the product is 3/4".

| | | | | |
|-----------------------------|----------------|--------------|----------------------------|-----------|
| SIRUBA PARTS LIST | Series | Parts Group | Subclass / Remark | Page |
| | F007K F858K | FSM-K | Not for Direct-Drive Motor | 6/6 |
| | | | | Date |
| | | | | 2016/4/17 |

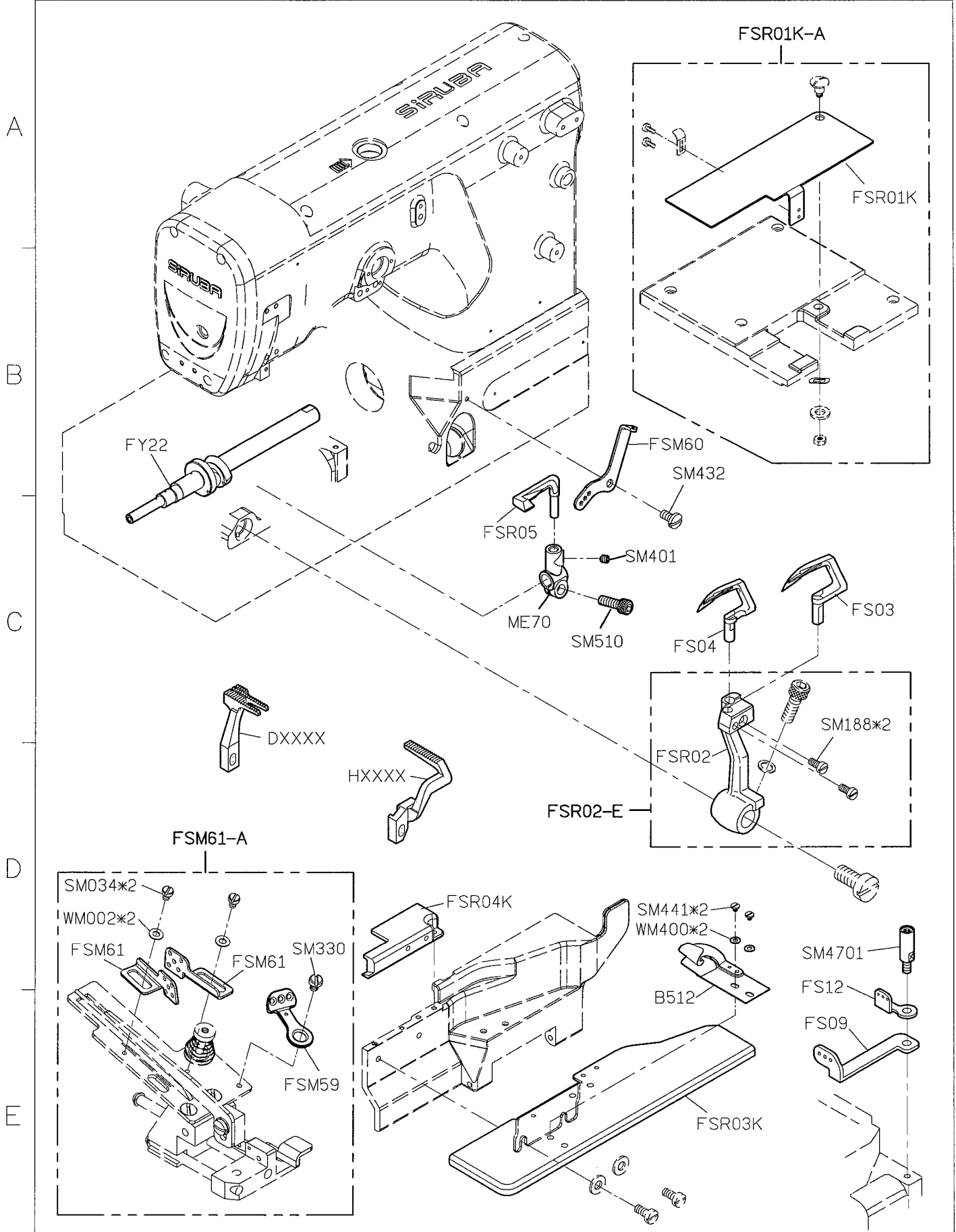
VZ07-A



| SIRUBA PARTS LIST | Series | Parts Group | Subclass / Remark | Page |
|----------------------|-----------------------|-------------|-------------------|----------|
| | F007K/F007KD F858K | FSP-K | | 1/1 |
| | | | | Date |
| | | | | 2016/9/5 |



| SIRUBA PARTS LIST | Series | Parts Group | Subclass / Remark | Page |
|----------------------|--------------|-------------|-------------------|----------|
| | F007K/F007KD | FSR-K | | 1/1 |
| | F858K | | | Date |
| | | | | 2016/9/5 |



| | | | | |
|------------------------------------|-----------------------|-------------|-------------------|----------|
| SIRUBA PARTS LIST | Series | Parts Group | Subclass / Remark | Page |
| | F007K/F007KD F858K | FSS | | 1/3 |
| | | | | Date |
| | | | | 2016/9/5 |

| | | |
|----------|---------|---------|
| MODEL | 4111 | 496 |
| PARTS NO | FSS01-A | FSS05-A |

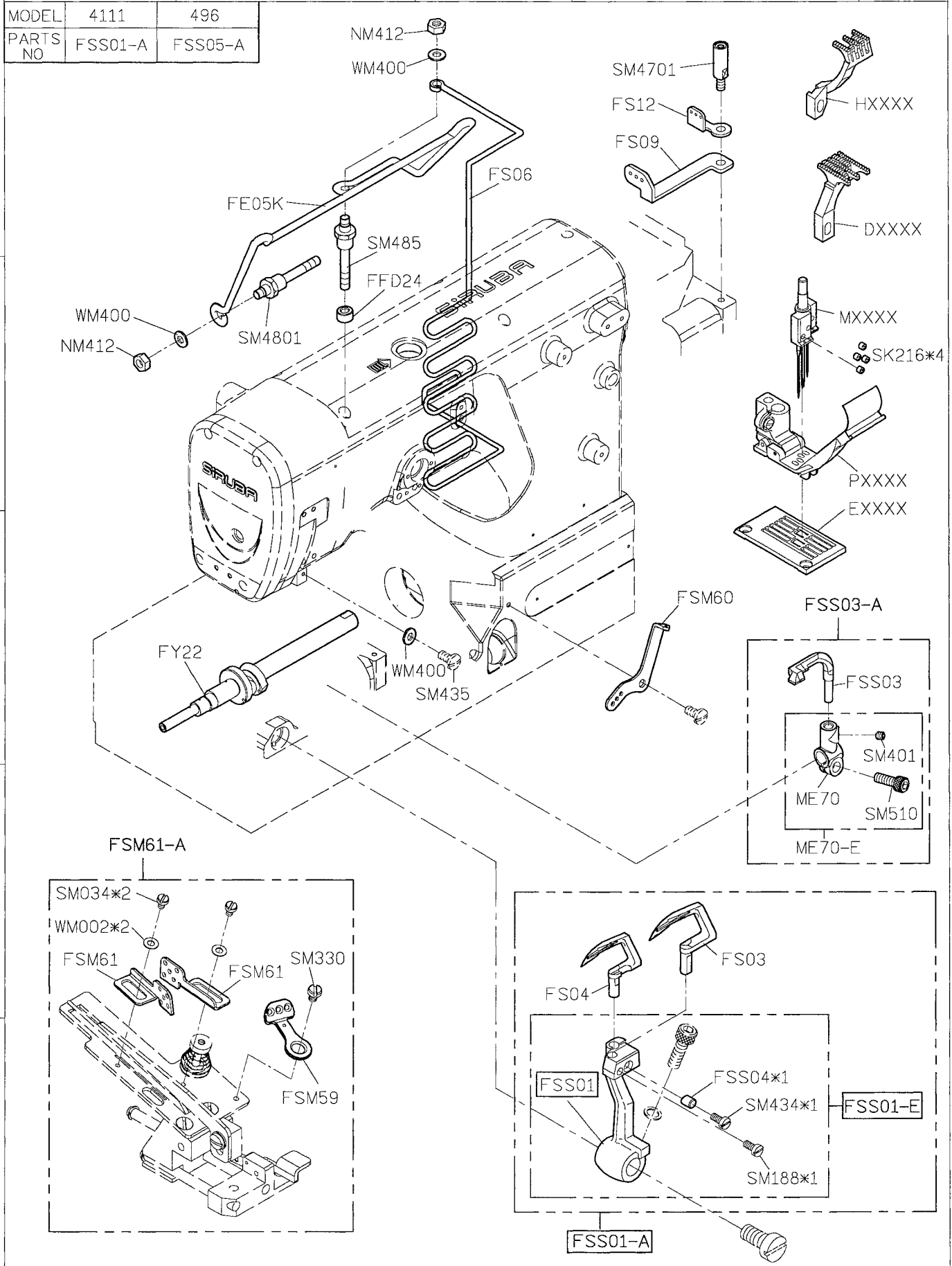
A

B

C

D

E



1

2

3

4

5

SIRUBA

PARTS LIST

Series

F007K/F007KD
F858K

Parts Group

FSS

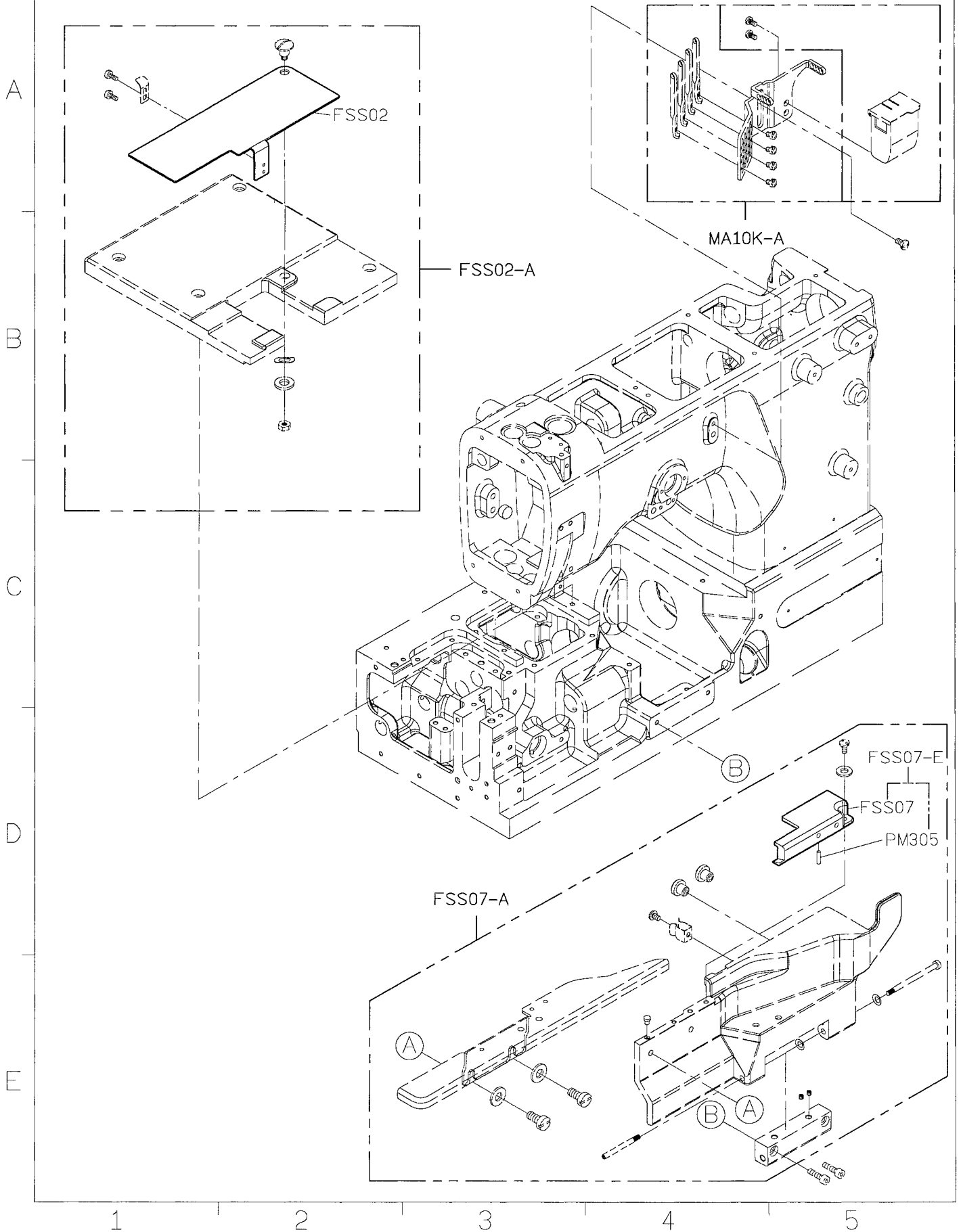
Subclass / Remark

Page

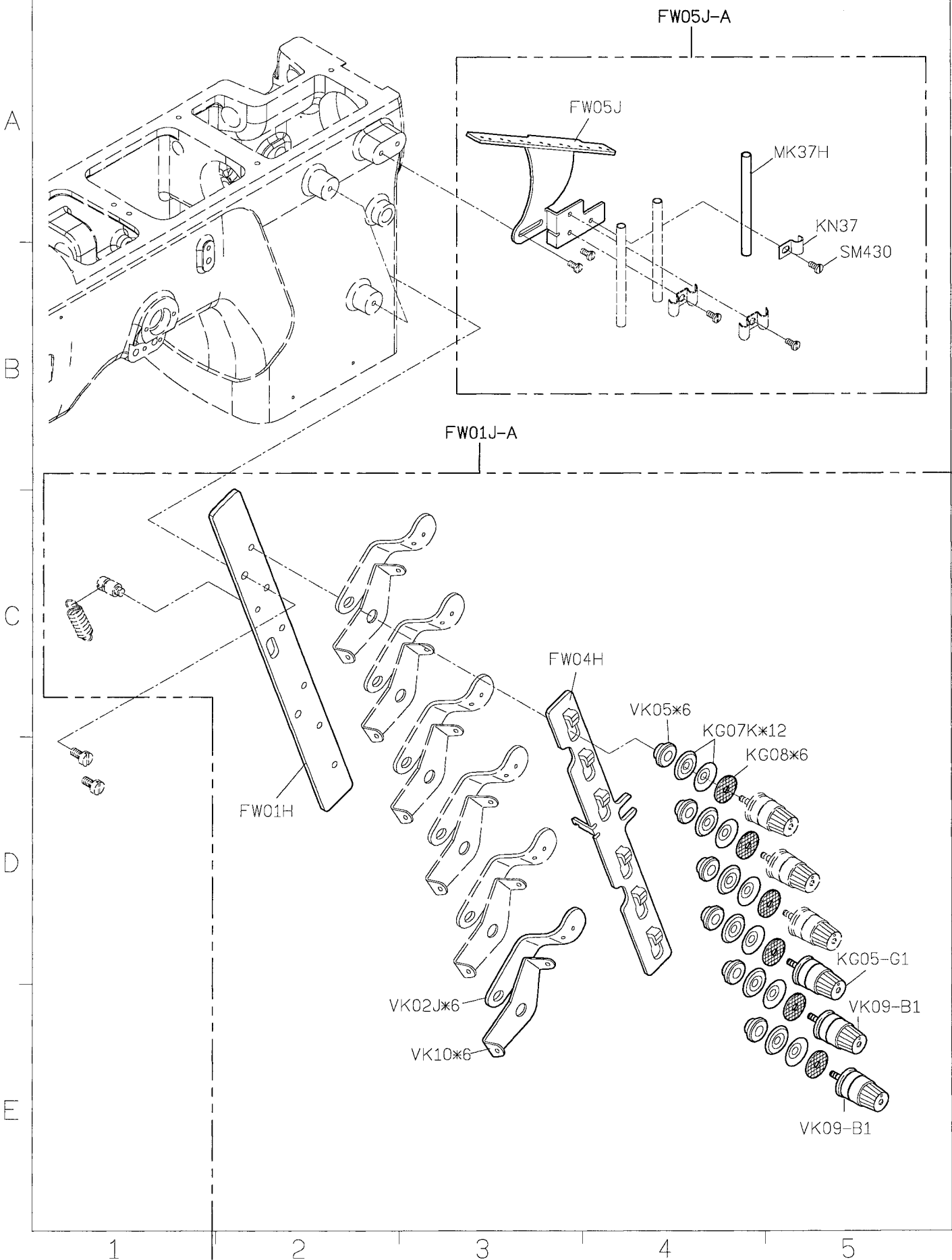
2/3

Date

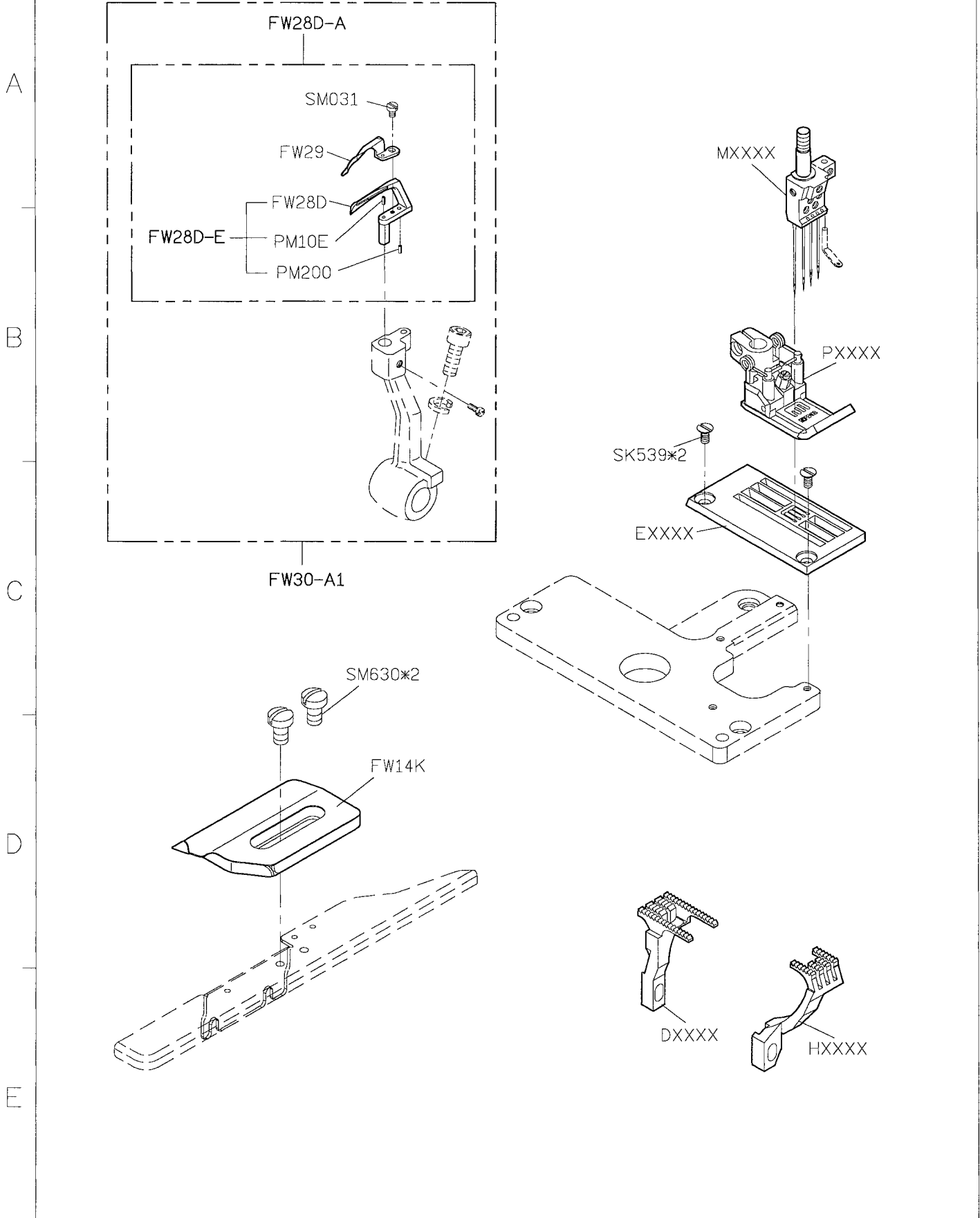
2016/9/5



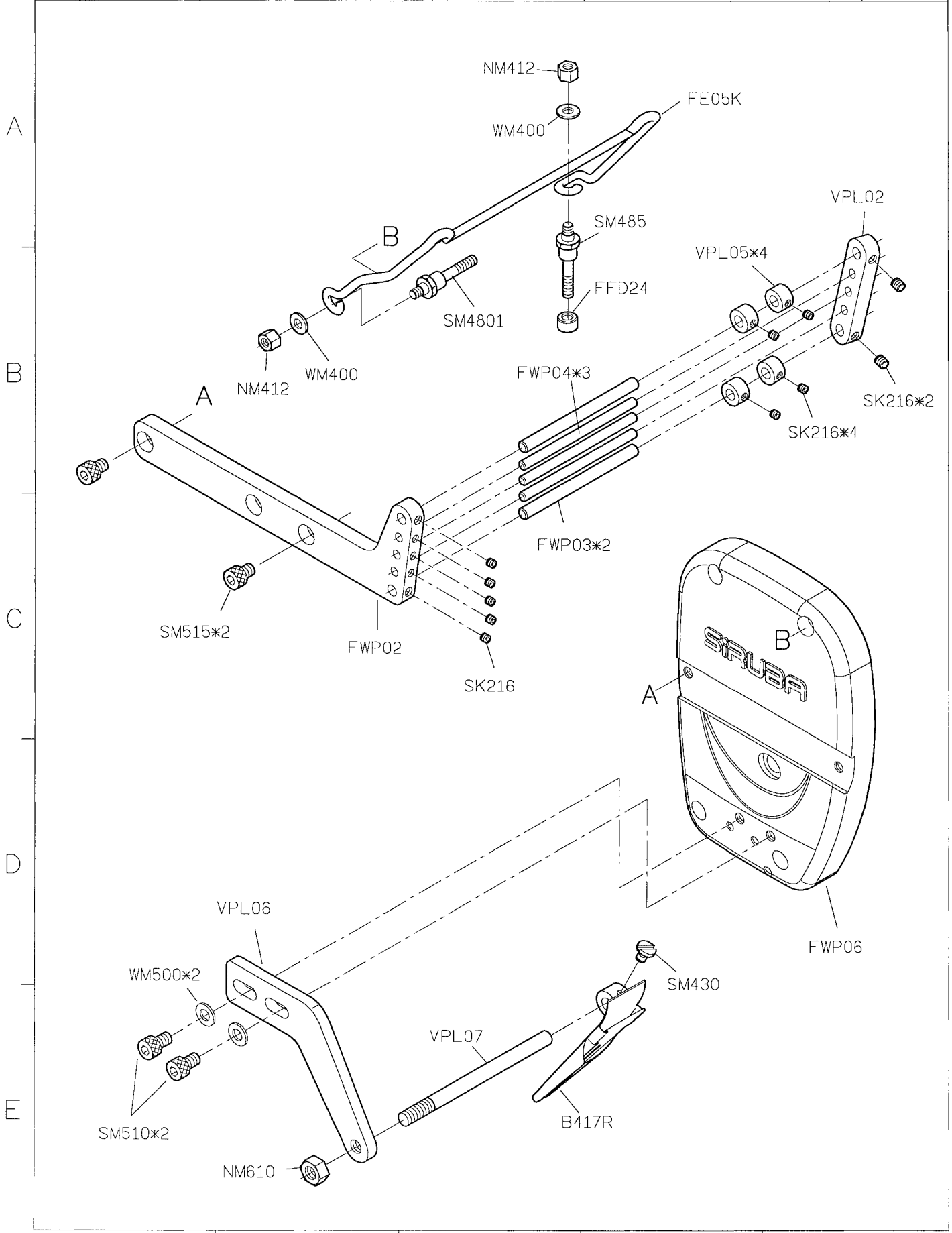
| | | | | |
|-----------------------------|-----------------------|-------------|-------------------|----------|
| SIRUBA PARTS LIST | Series | Parts Group | Subclass / Remark | Page |
| | F007K/F007KD F858K | FSS | | 3/3 |
| | | | | Date |
| | | | | 2016/9/5 |



| | | | | |
|-----------------------------|---|---------------------------------|-------------------|------------------|
| SIRUBA PARTS LIST | Serie F007K/F007KD F858K | Parts Group FW(FWP)-K | Subclass / Remark | Page 1/5 |
| | | | | Date 2016/9/5 |
| | | | | |

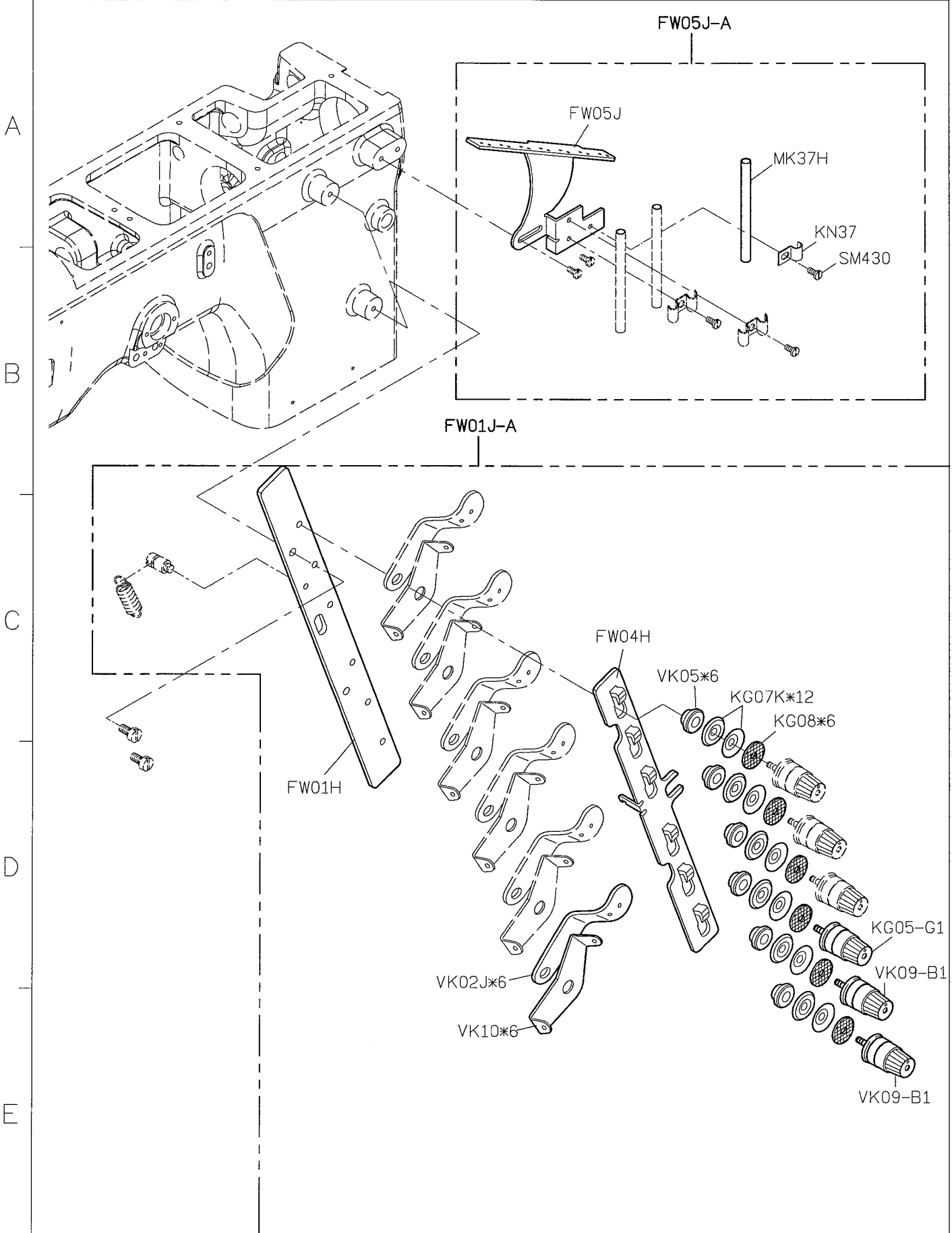


| SIRUBA PARTS LIST | Series | Parts Group | Subclass / Remark | Page |
|----------------------|--------------|-------------|-------------------|----------|
| | F007K/F007KD | FWP-K | | 2/5 |
| | F858K | | | Date |
| | | | | 2016/9/5 |



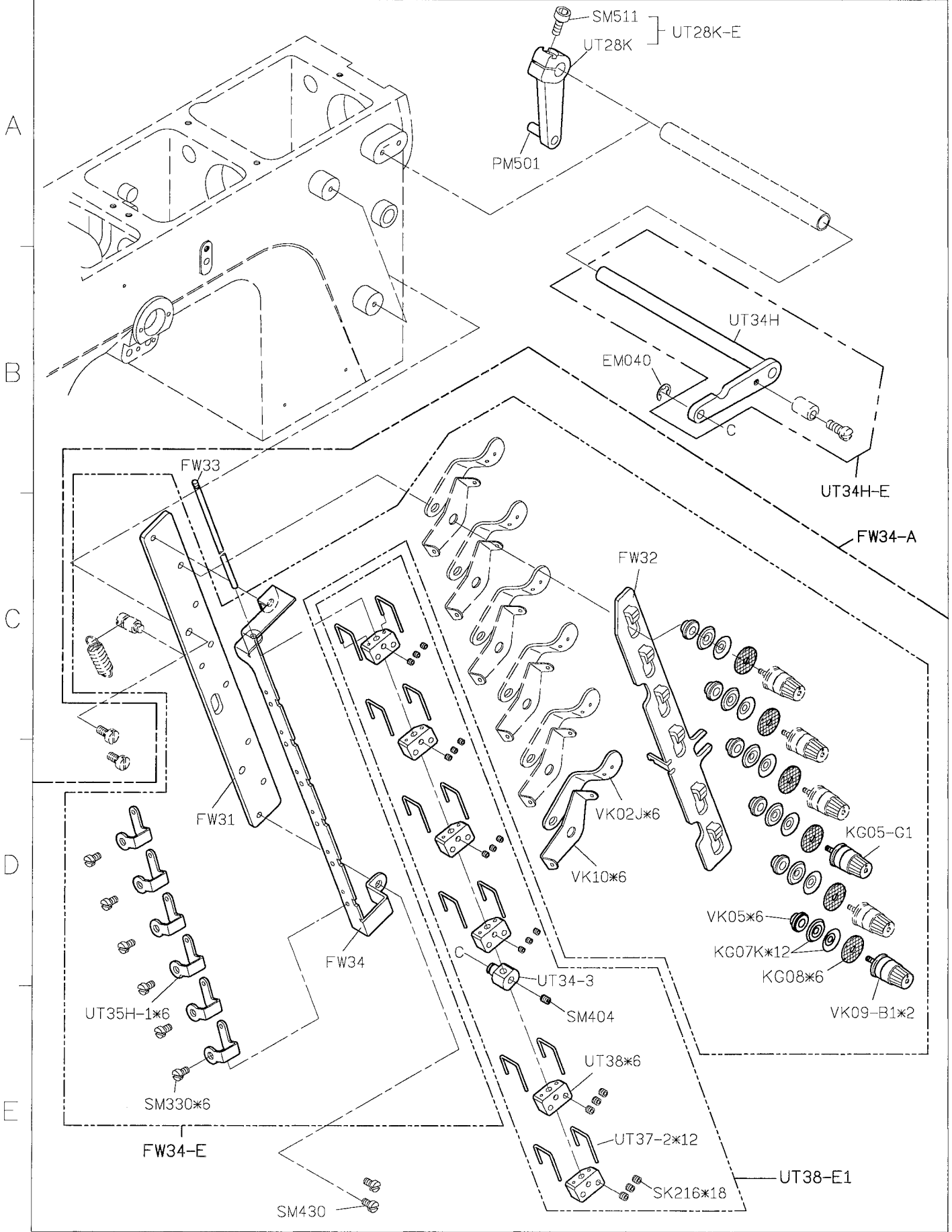
1 2 3 4 5

| SIRUBA PARTS LIST | Series | Parts Group | Subclass / Remark | Page |
|----------------------|-----------------------|-------------|-------------------|----------|
| | F007K/F007KD F858K | FW(FWP)-K | | 3/5 |
| | | | | Date |
| | | | | 2016/9/5 |



1 2 3 4 5

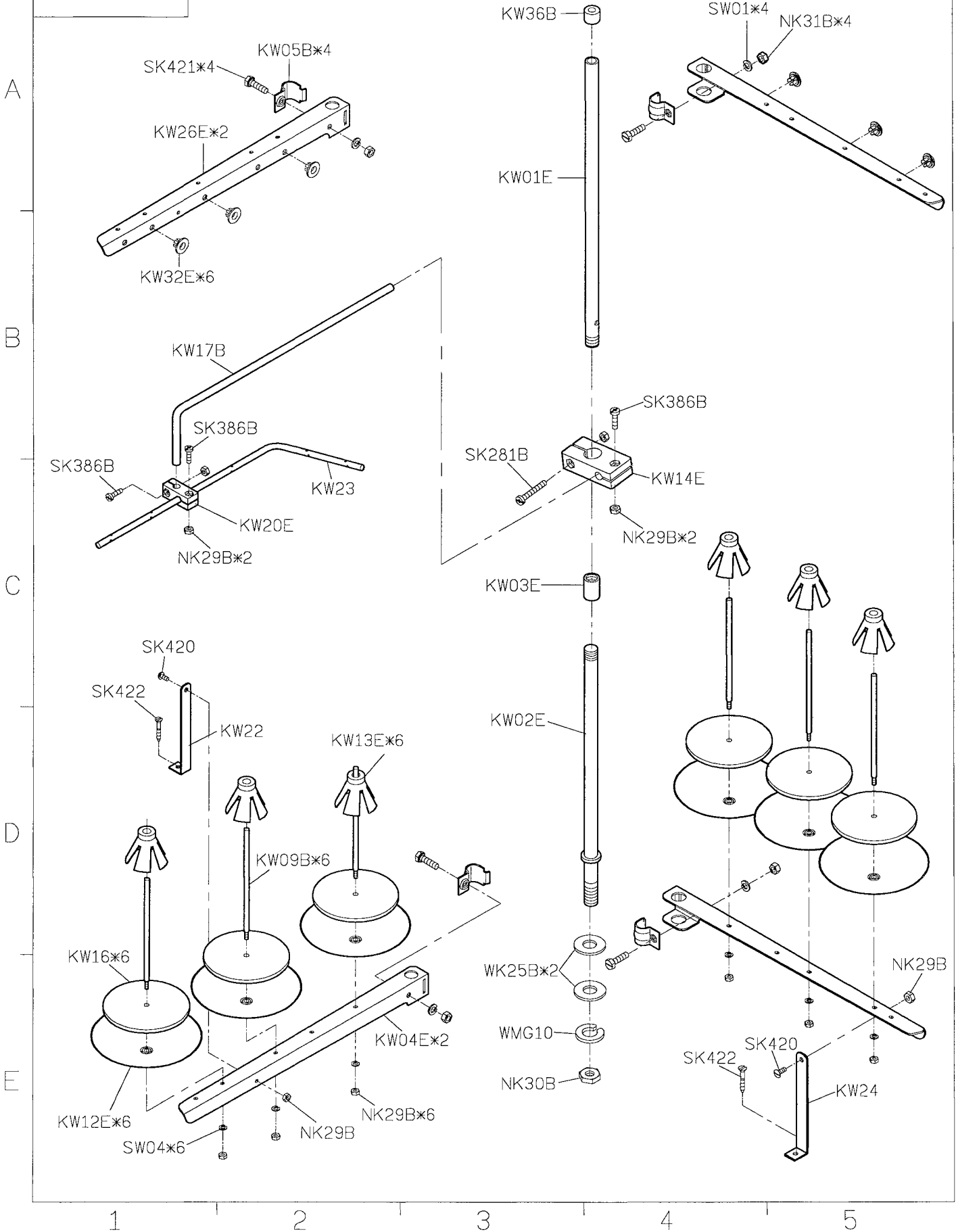
| | | | | |
|-----------------------------|-----------------------|-------------|-------------------|----------|
| SIRUBA PARTS LIST | Serie | Parts Group | Subclass / Remark | Page |
| | F007K/F007KD F858K | FW(FWP)-K | For UTH | 4/5 |
| | | | | Date |
| | | | | 2016/9/5 |



1 2 3 4 5

| | | | | |
|-----------------------------|-----------------------|-------------|-------------------|----------|
| SIRUBA PARTS LIST | Serie | Parts Group | Subclass / Remark | Page |
| | F007K/F007KD F858K | FW(FWP)-K | | 5/5 |
| | | | | Date |
| | | | | 2016/9/5 |

KW40E-A3



SIRUBA

PARTS LIST

Series

F007K/F007KD
F858K

Parts Group

FY-K

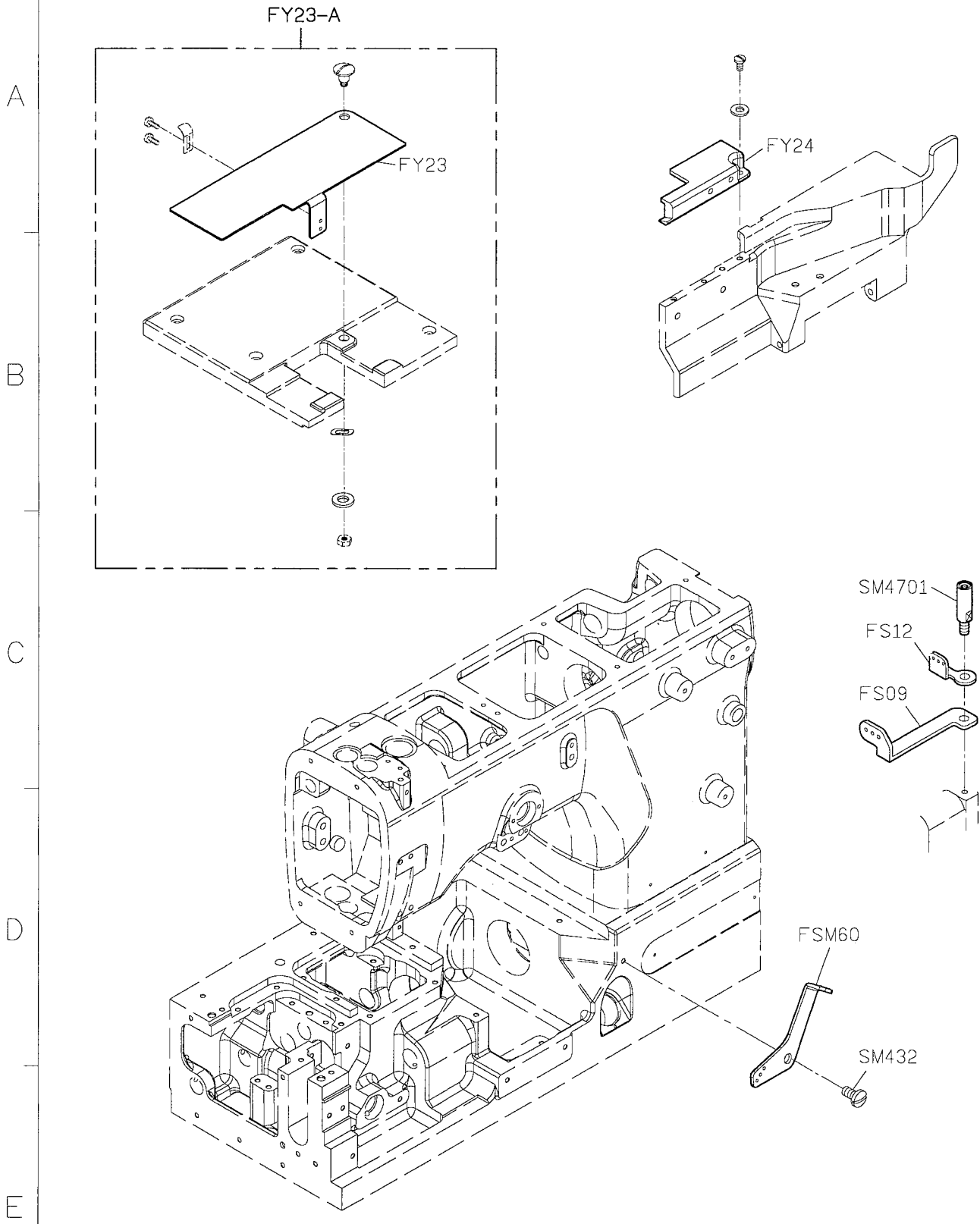
Subclass / Remark

Page

1/4

Date

2016/9/5



1

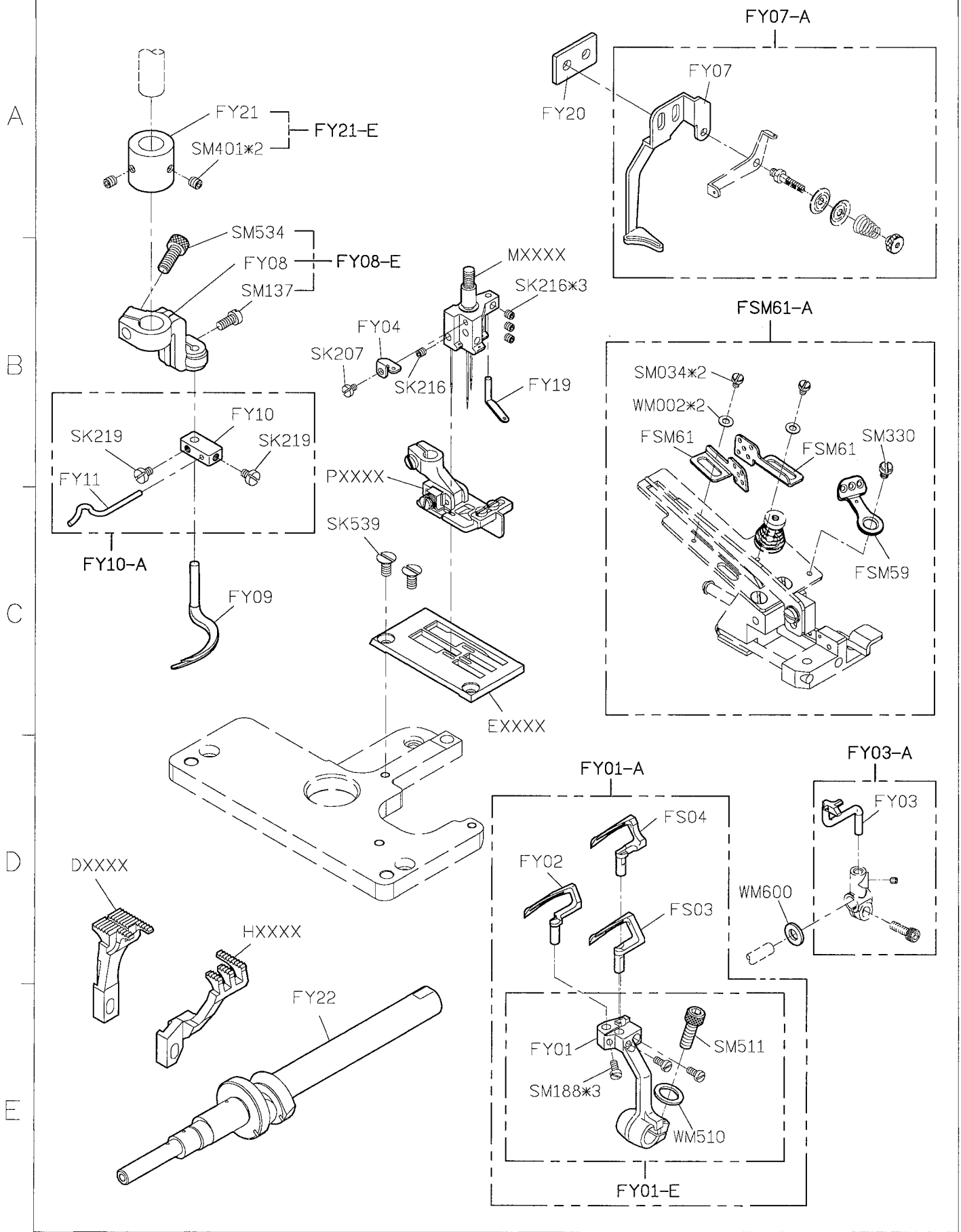
2

3

4

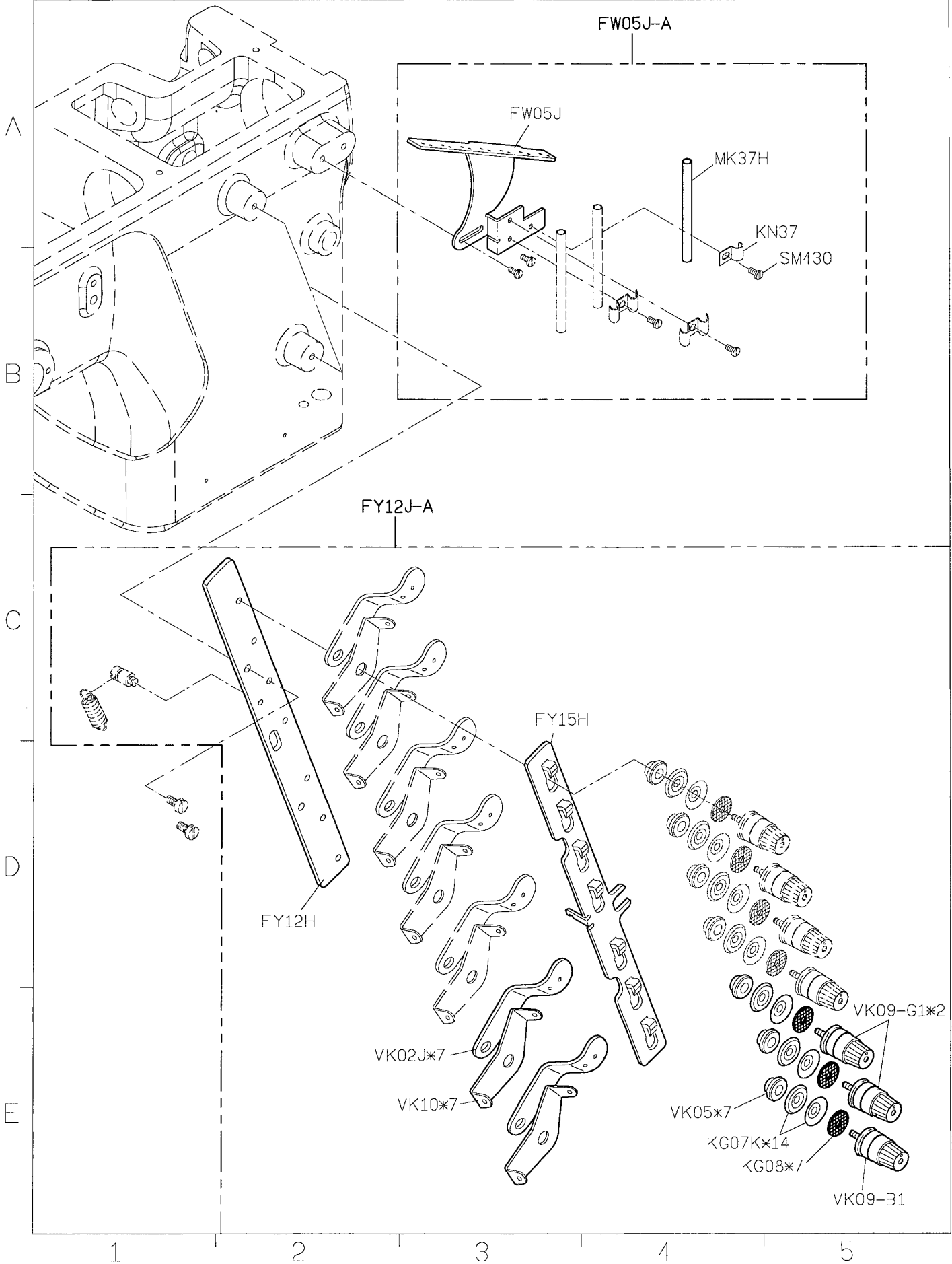
5

| SIRUBA PARTS LIST | Series | Parts Group | Subclass / Remark | Page |
|----------------------|--------------|-------------|-------------------|----------|
| | F007K/F007KD | FY-K | | 2/4 |
| | F858K | | | Date |
| | | | | 2016/9/5 |



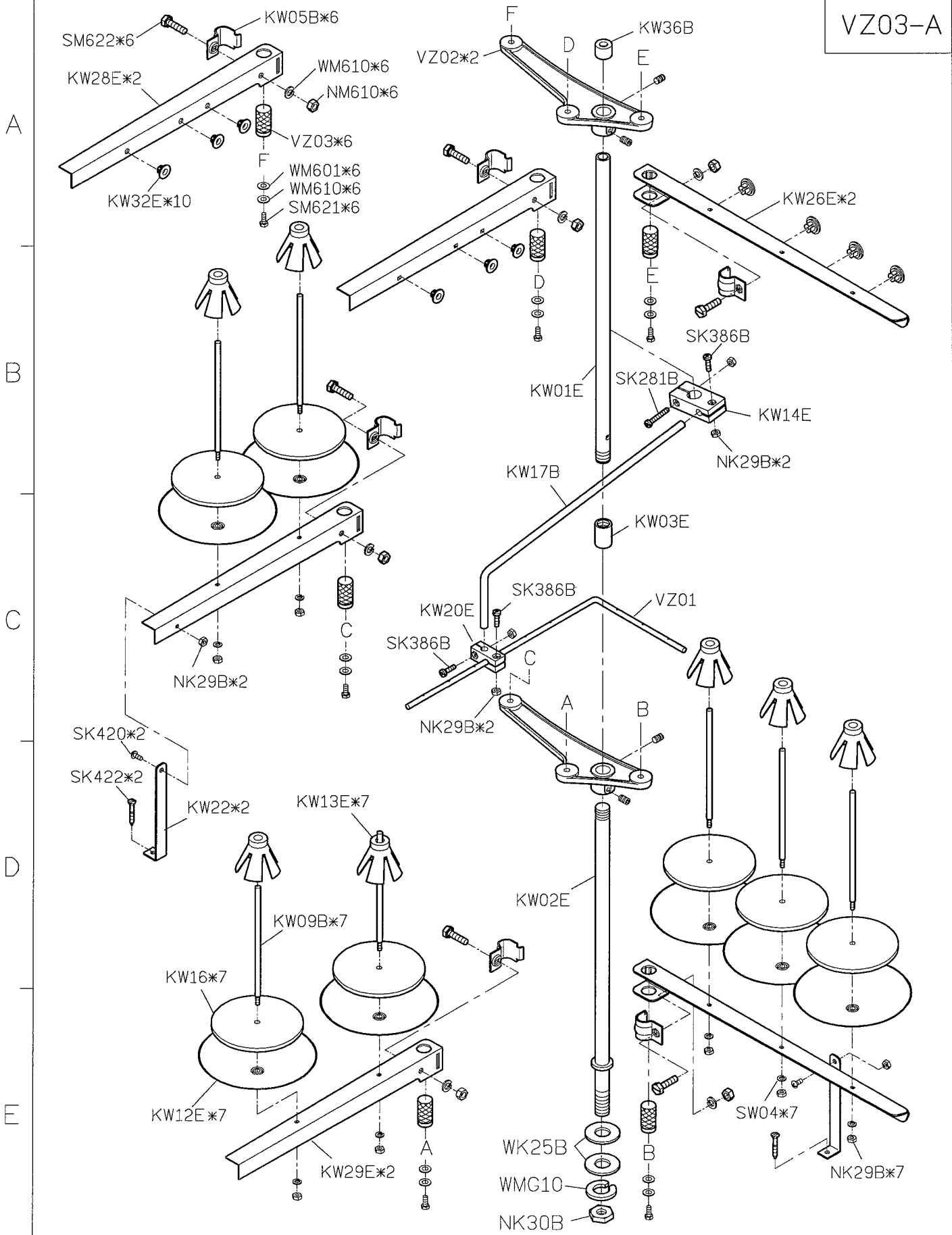
1 2 3 4 5

| SIRUBA PARTS LIST | Series | Parts Group | Subclass / Remark | Page |
|----------------------|--------------|-------------|-------------------|----------|
| | F007K/F007KD | FY-K | | 3/4 |
| | F858K | | | Date |
| | | | | 2016/9/5 |

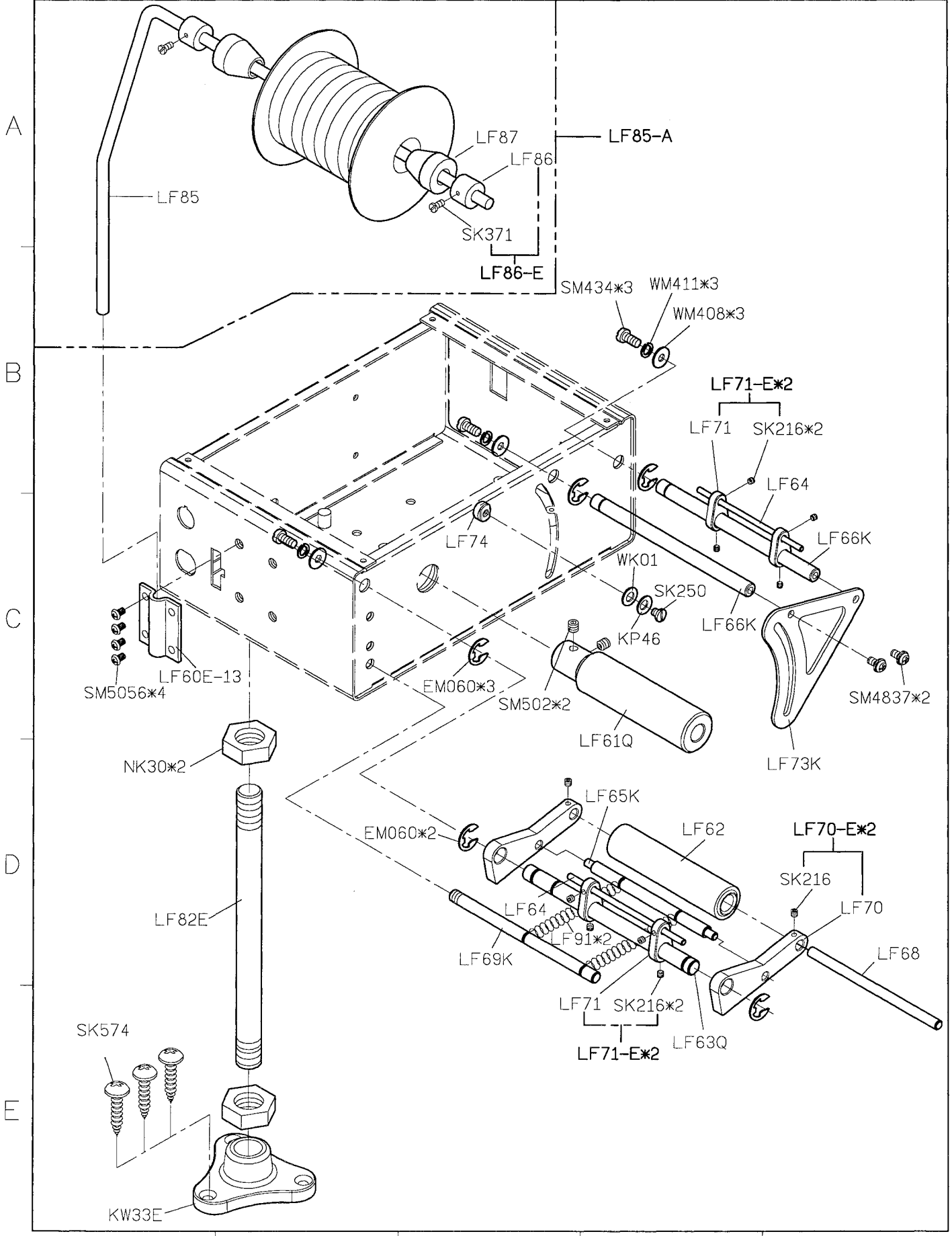


| | | | | |
|-----------------------------|-----------------------|-------------|-------------------|----------|
| SIRUBA PARTS LIST | Series | Parts Group | Subclass / Remark | Page |
| | F007K/F007KD F858K | FY-K | | 4/4 |
| | | | | Date |
| | | | | 2016/9/5 |

VZ03-A

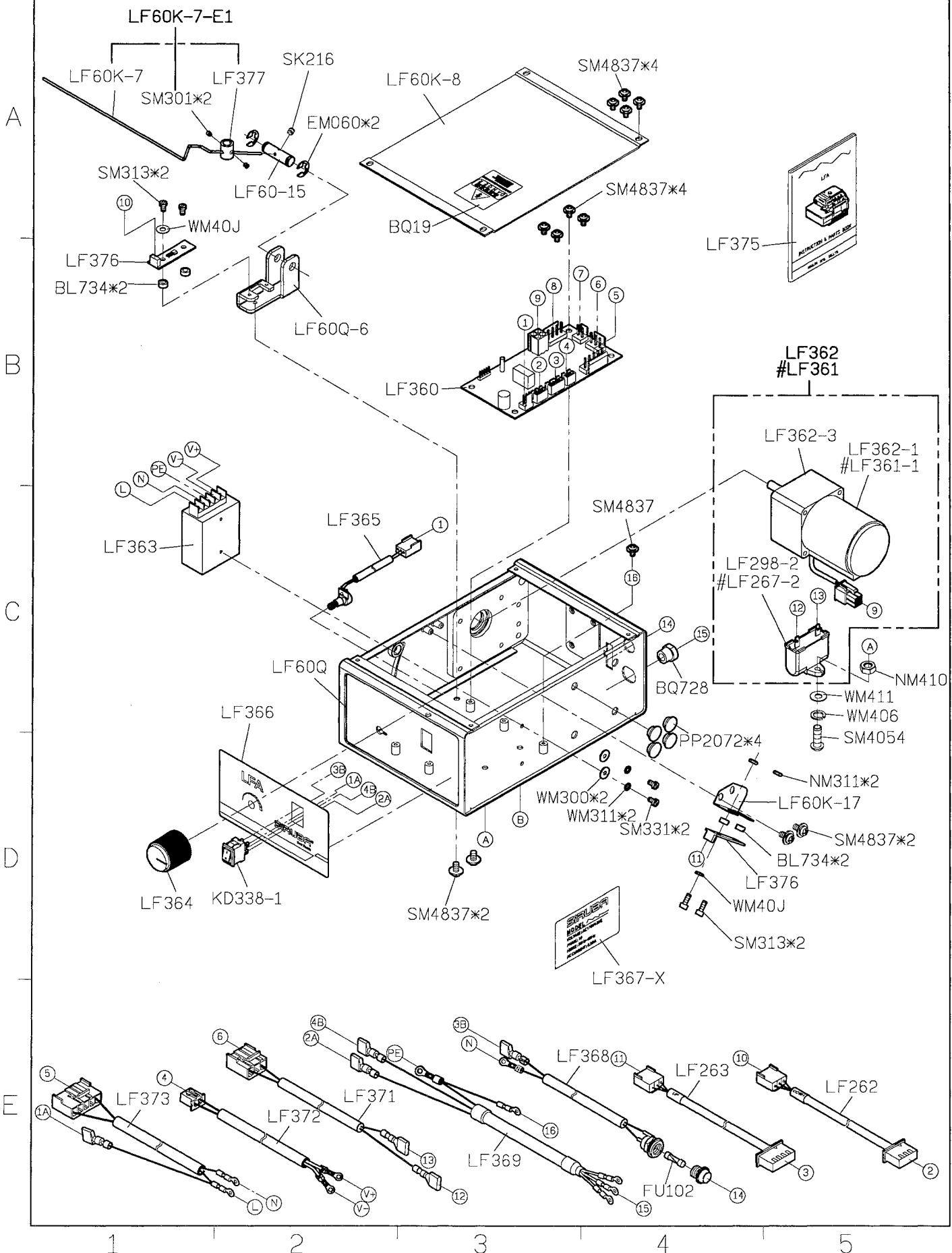


| | | | | |
|-----------------------------|----------------|-------------|-------------------|------------------|
| SIRUBA PARTS LIST | Series | Parts Group | Subclass / Remark | Page |
| | F007K F858K | LFA | | 1/3 |
| | | | | Date 2016/6/2 |

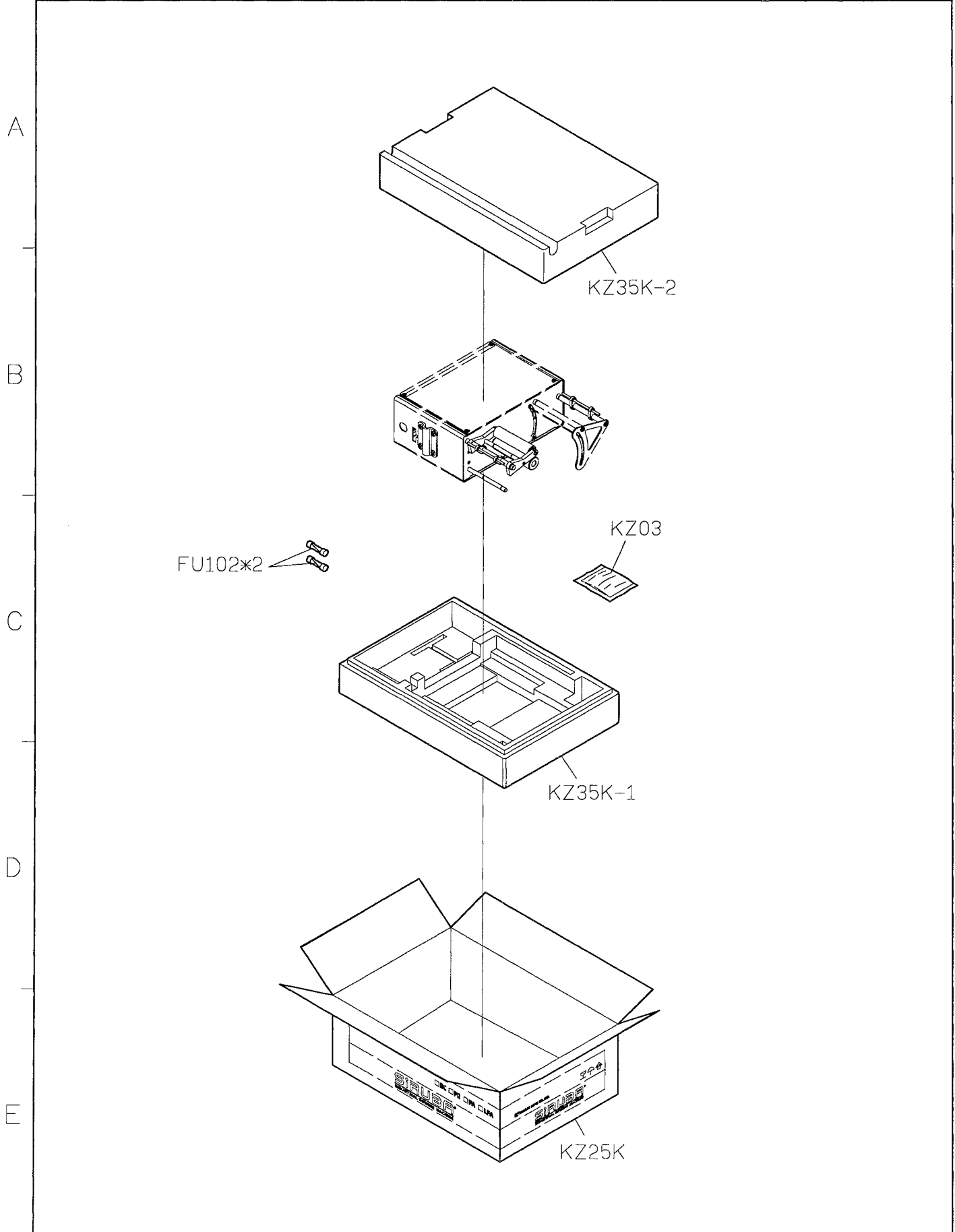


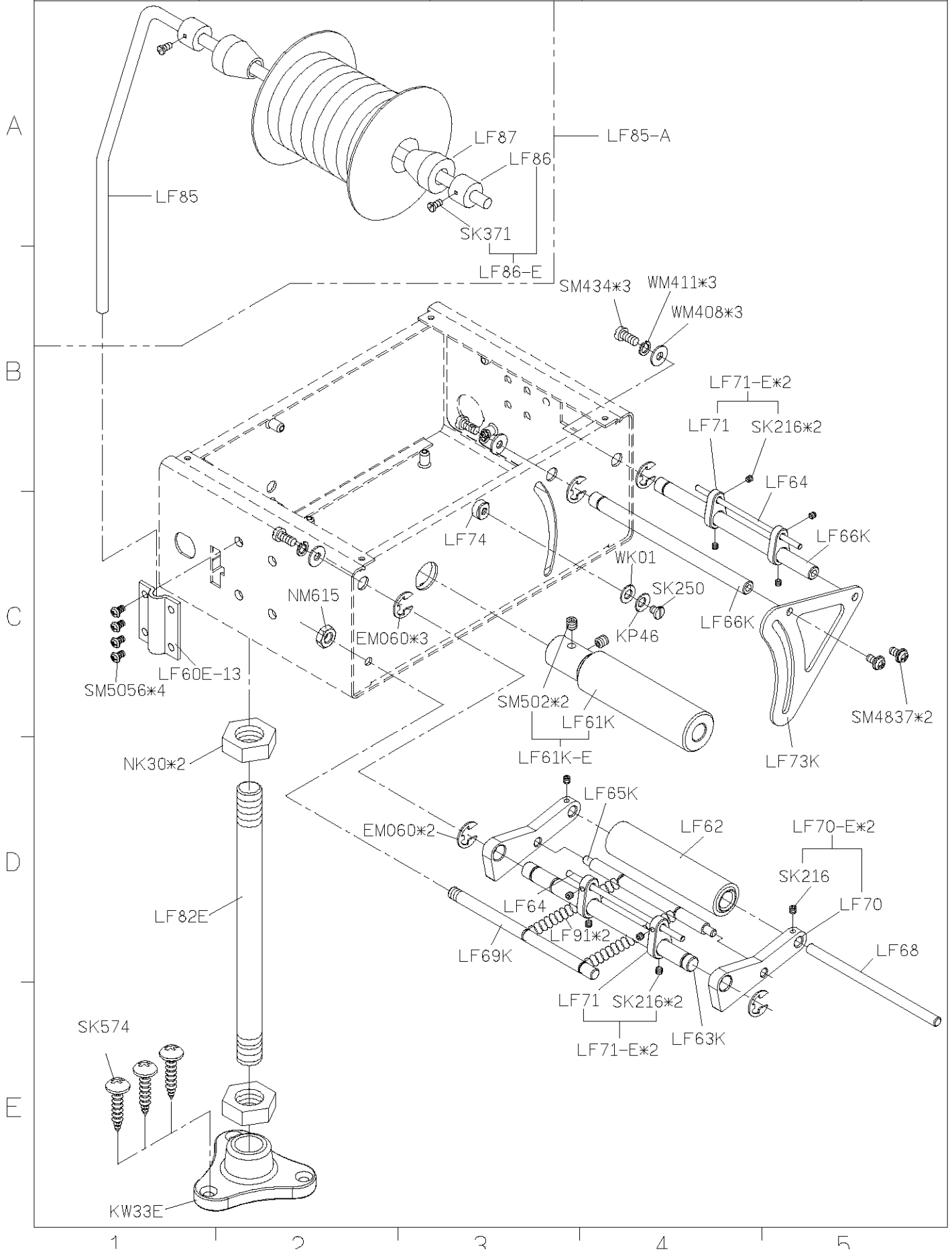
1 2 3 4 5

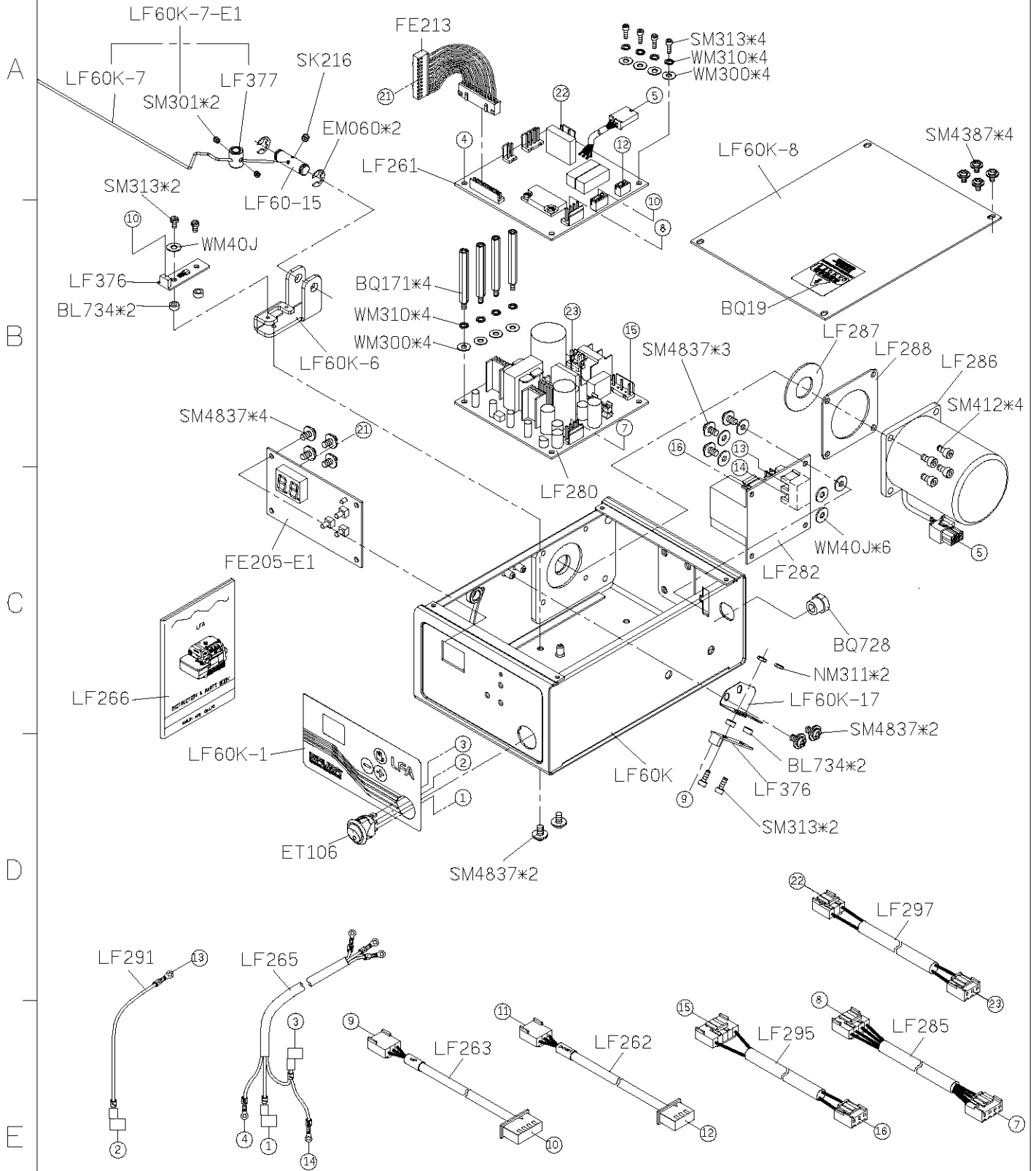
| SIRUBA PARTS LIST | Series | Parts Group | Subclass / Remark | Page |
|----------------------|--------|-------------|-------------------|----------|
| | F007K | LFA | # : Use for 110V | 2/3 |
| | F858K | | | Date |
| | | | | 2016/6/2 |



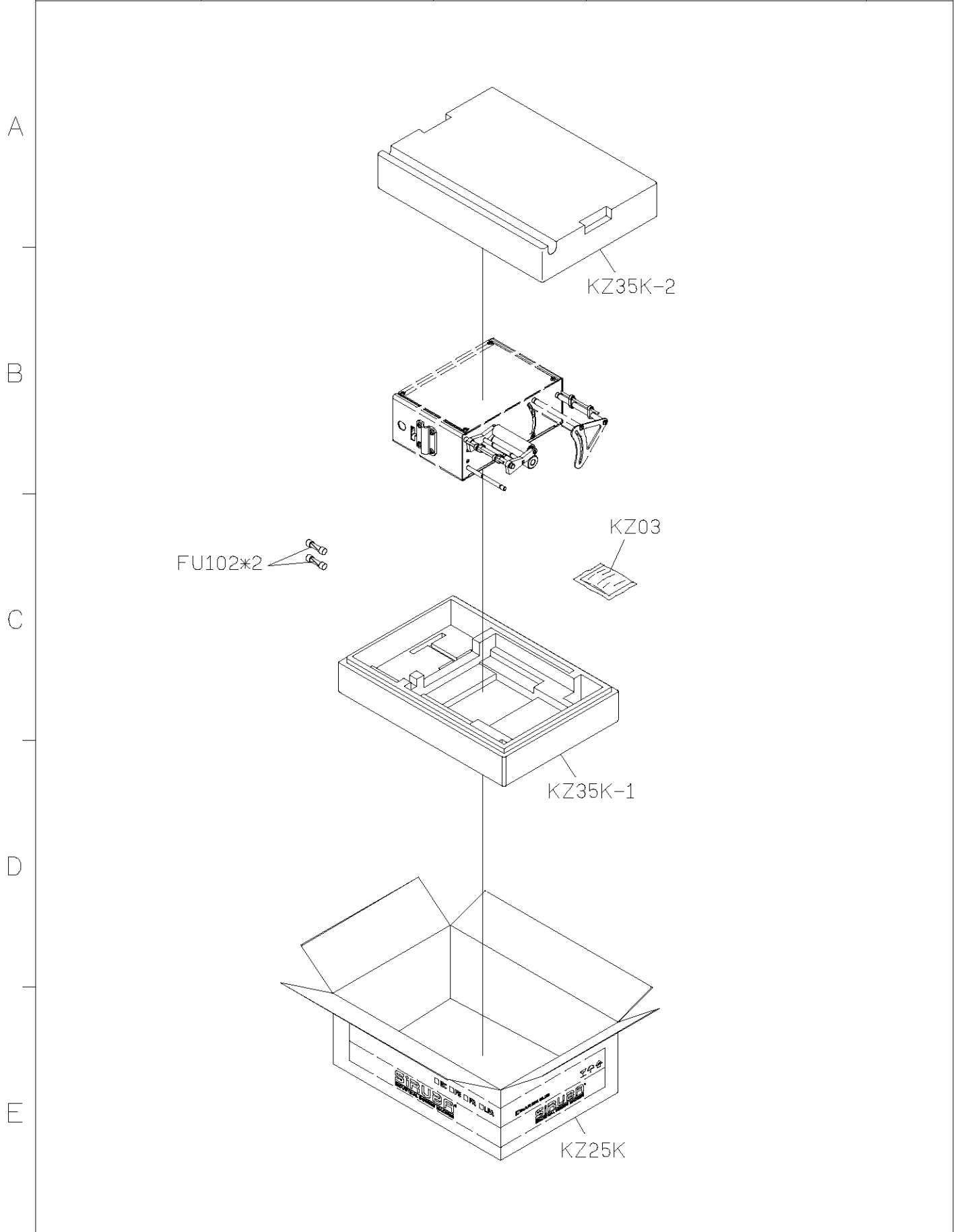
| SIRUBA PARTS LIST | Series | Parts Group | Subclass / Remark | Page |
|----------------------|--------|-------------|-------------------|----------|
| | F007K | LFA | | 3/3 |
| | F858K | | | Date |
| | | | | 2016/6/2 |



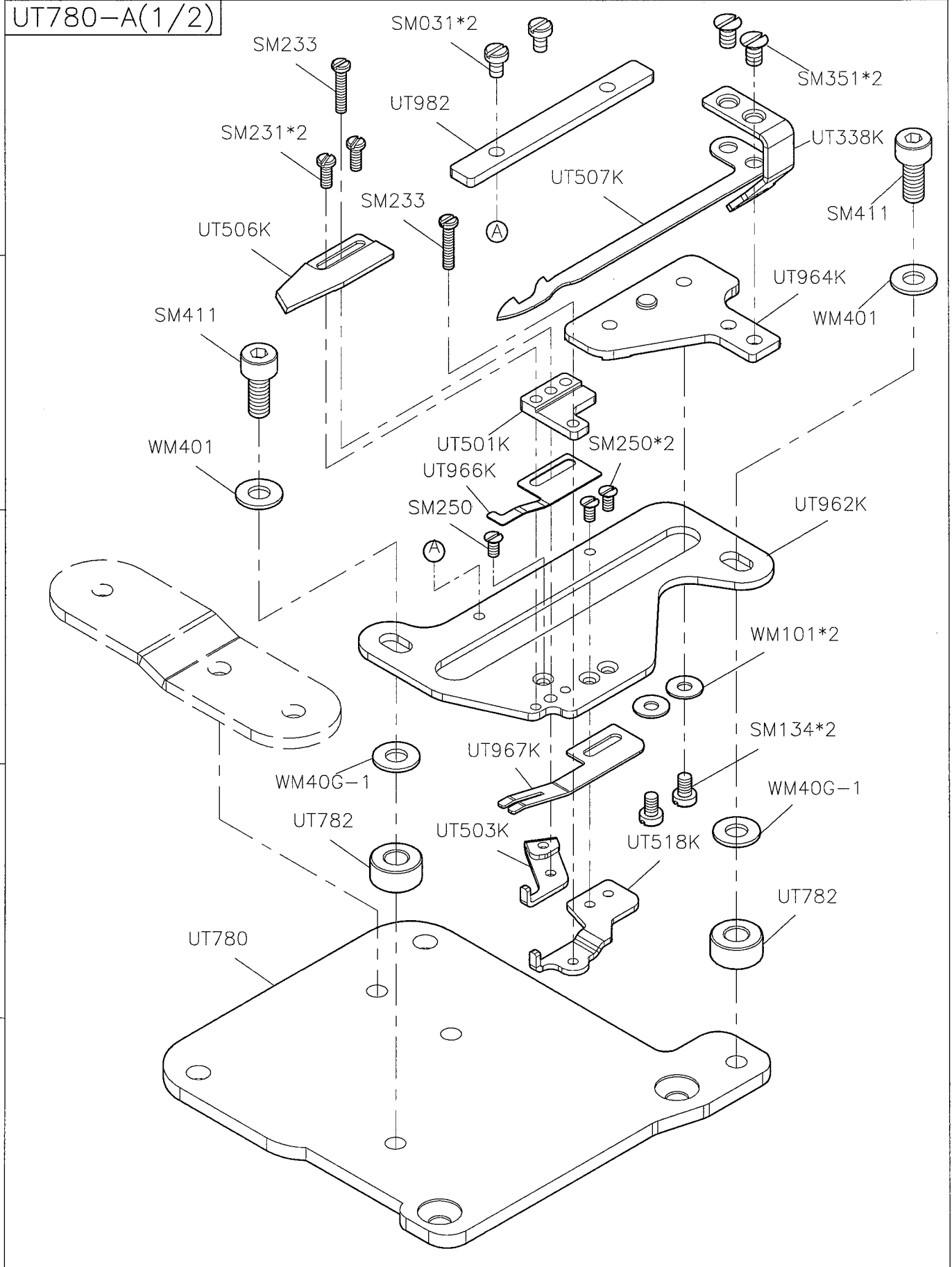




| SIRUBA PARTS LIST | Series | Parts Group | Subclass / Remark | Page |
|-----------------------------|--------------|-------------|-------------------|------------|
| | F007K/F007KD | LFAK | | 3/3 |
| | F858K/F858KD | | | Date |
| | | | | 2013/03/25 |



| | | | | |
|-----------------------------|-----------------------|-------------|-------------------|----------|
| SIRUBA PARTS LIST | Serie | Parts Group | Subclass / Remark | Page |
| | F007K/F007KD F858K | UTG(UTH)-K | | 1/10 |
| | | | | Date |
| | | | | 2016/9/6 |



1 2 3 4 5

SIRUBA

PARTS LIST

Serie

F007K/F007KD
F858K

Parts Group

UTG(UTH)-K

Subclass / Remark

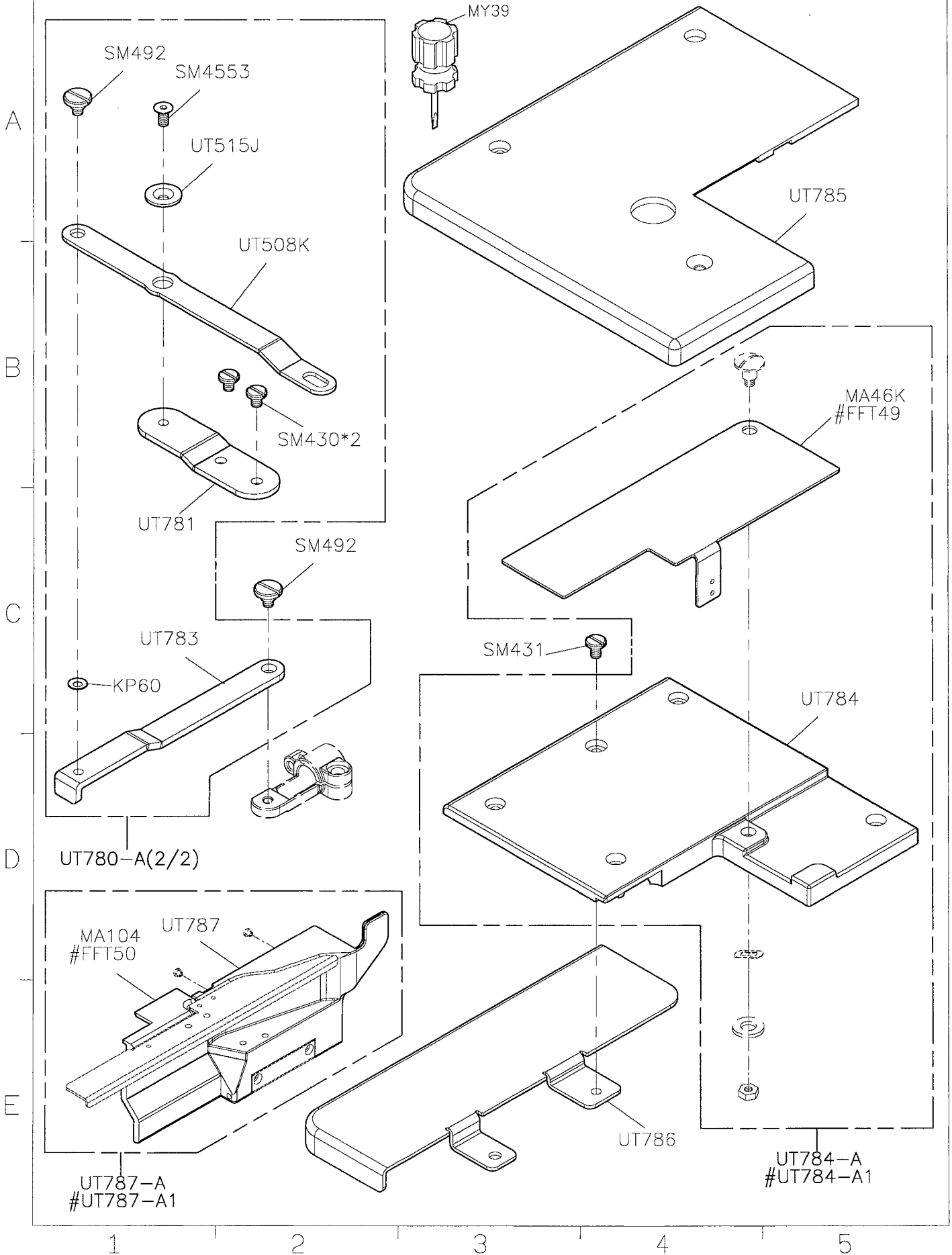
#Use for FFT

Page

2/10

Date

2016/9/6



SIRUBA

PARTS LIST

Serie
**F007K/F007KD
F858K**

Parts Group
UTG(UTH)-K

Subclass / Remark

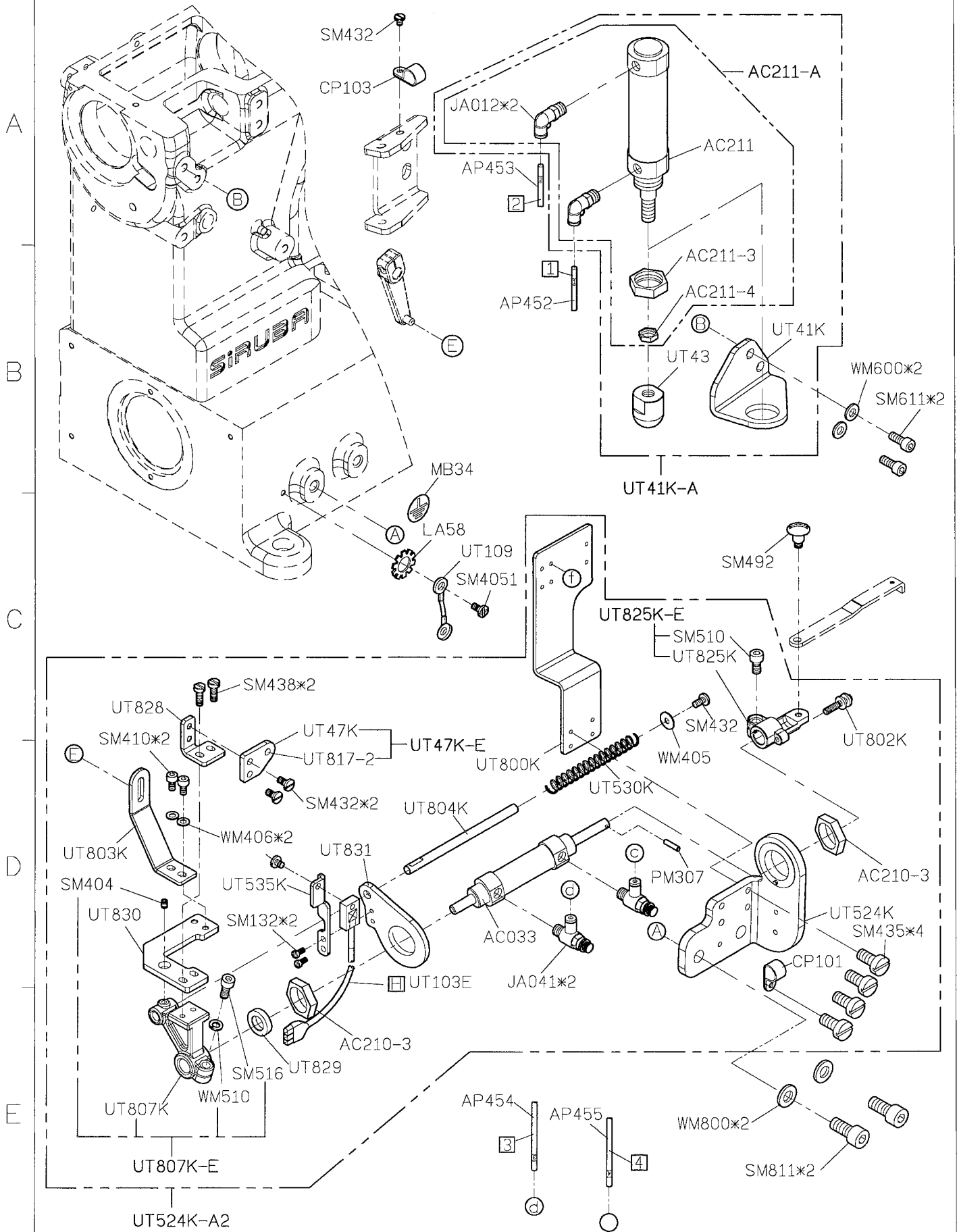
☐ : For H brand motor

Page

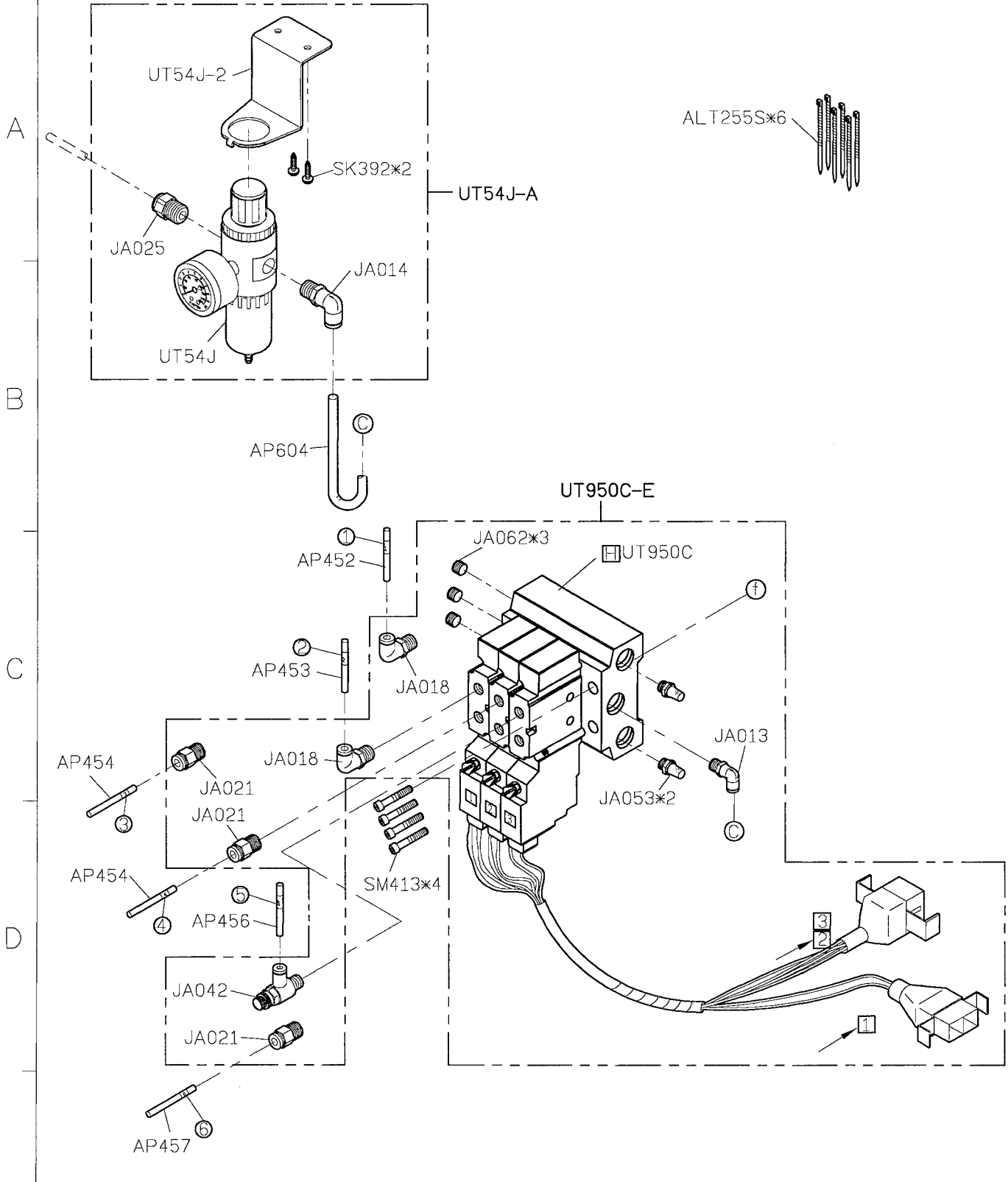
3/10

Date

2016/9/6

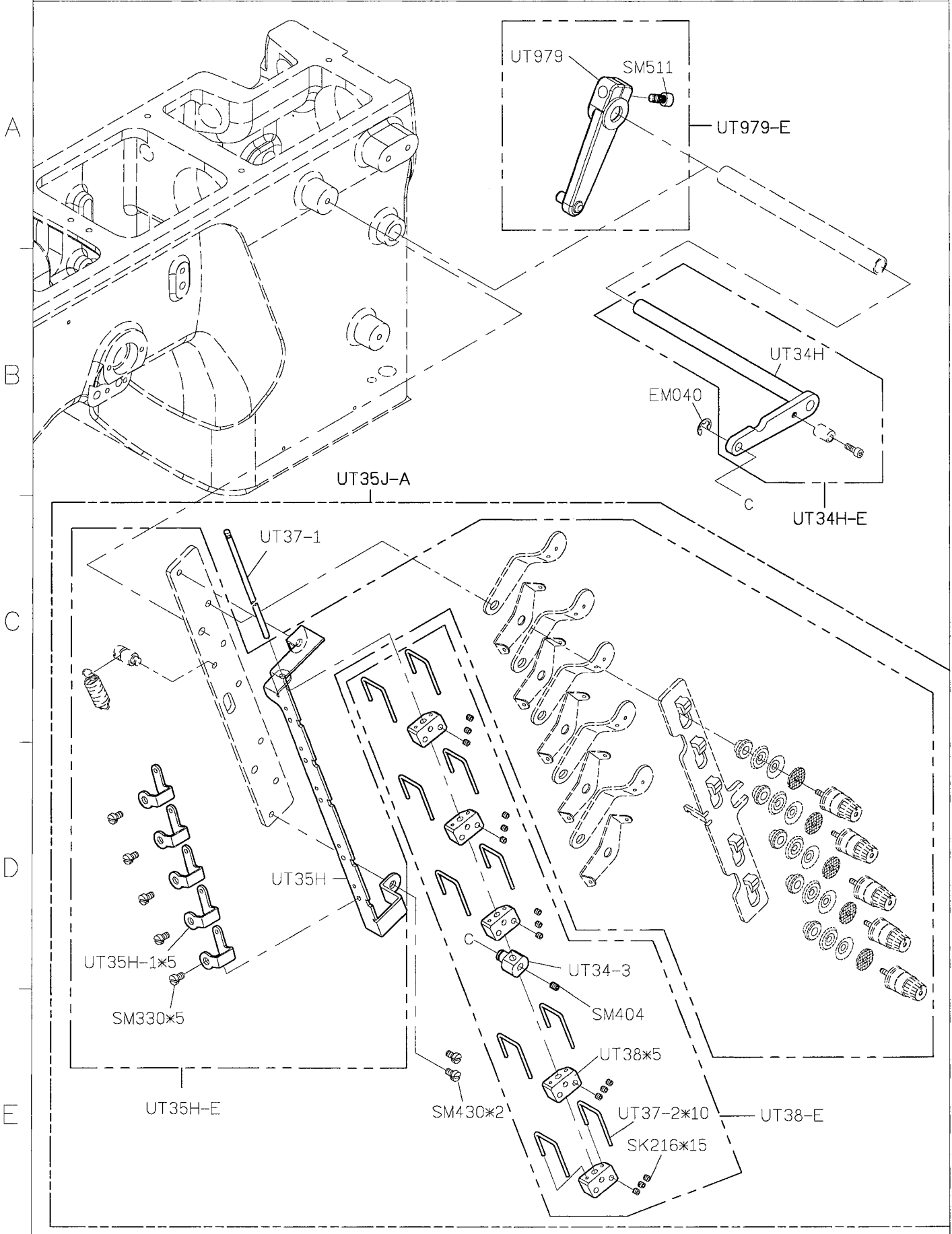


| | | | | |
|-----------------------------|-----------------------|-------------|-----------------------|----------|
| SIRUBA PARTS LIST | Series | Parts Group | Subclass / Remark | Page |
| | F007K/F007KD F858K | UTG(UTH)-K | ☐ : For H brand motor | 4/10 |
| | | | | Date |
| | | | | 2016/9/6 |



- 1 LIFT PRESSER FOOT
- 2 LOOP TRIMMER
- 3 TOP CUTTER (WIPER)

| SIRUBA PARTS LIST | Series | Parts Group | Subclass / Remark | Page |
|----------------------|--------------|-------------|-------------------|----------|
| | F007K/F007KD | UTG(UTH)-K | | 5/10 |
| | F858K | | | Date |
| | | | | 2016/9/6 |



| SIRUBA PARTS LIST | Series | Parts Group | Subclass / Remark | Page |
|-----------------------------|-----------------------|--------------|-------------------|----------|
| | F007K/F007KD F858K | UTH-K | | 6/10 |
| | | | | Date |
| | | | | 2016/9/6 |

A

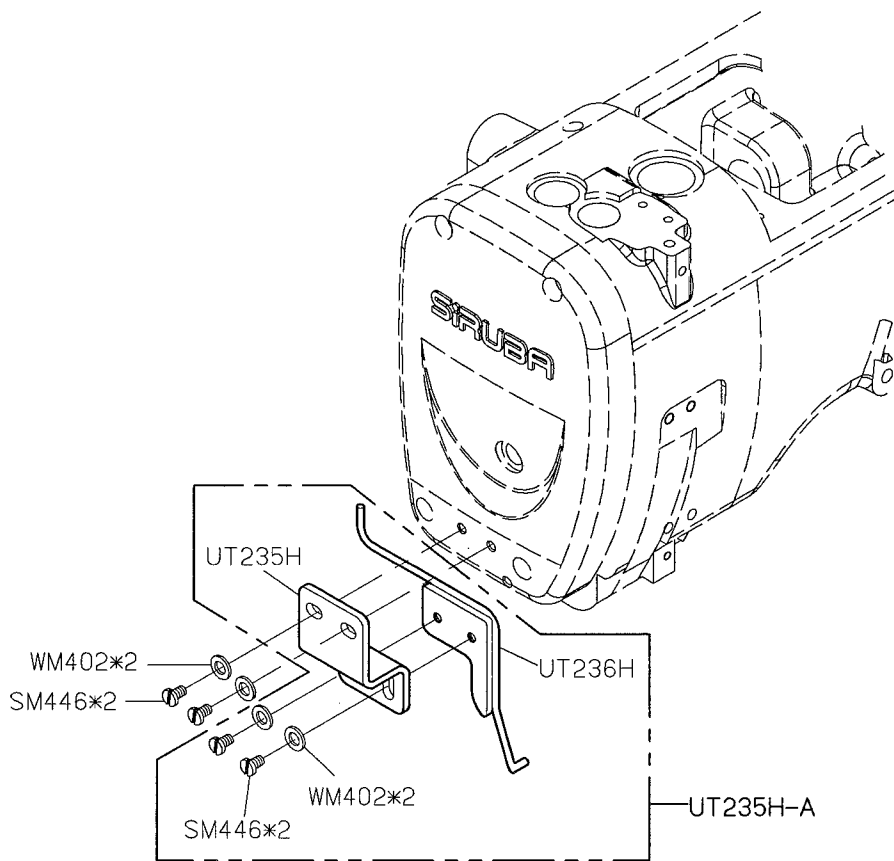
B

C

D

E

FOR LEFT SIDE



1

2

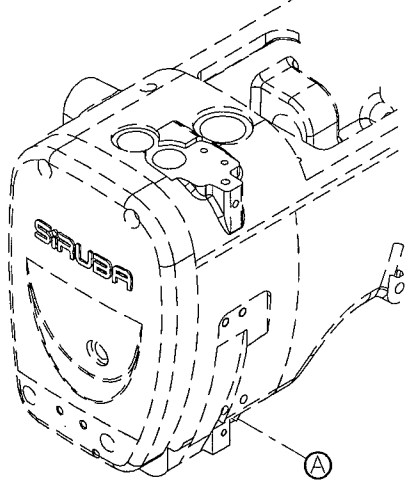
3

4

5

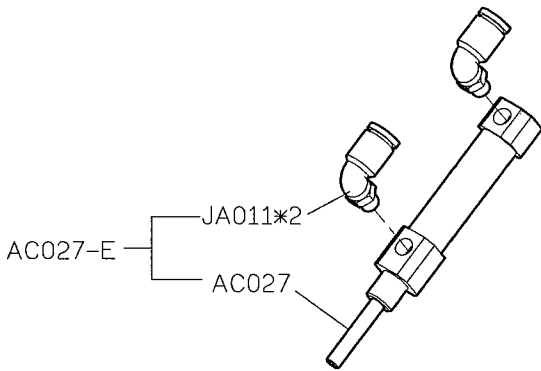
| SIRUBA PARTS LIST | Serie | Parts Group | Subclass / Remark | Page |
|----------------------|-----------------------|-------------|-------------------|----------|
| | F007K/F007KD F858K | UTH-K1 | For allocation | 7/10 |
| | | | | Date |
| | | | | 2016/9/6 |

A



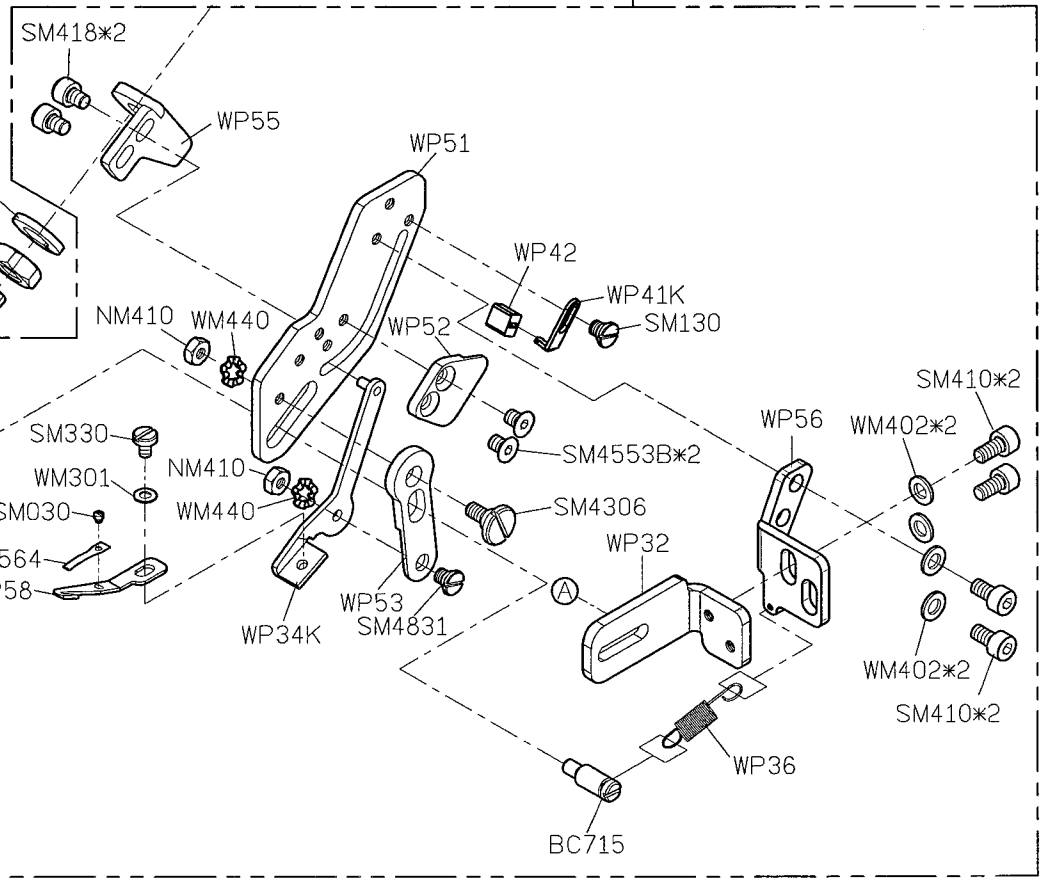
WP51-A1

B

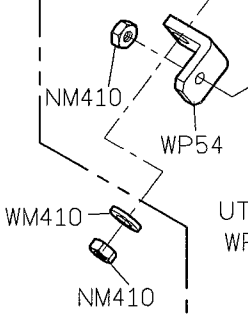


WP51-A

C



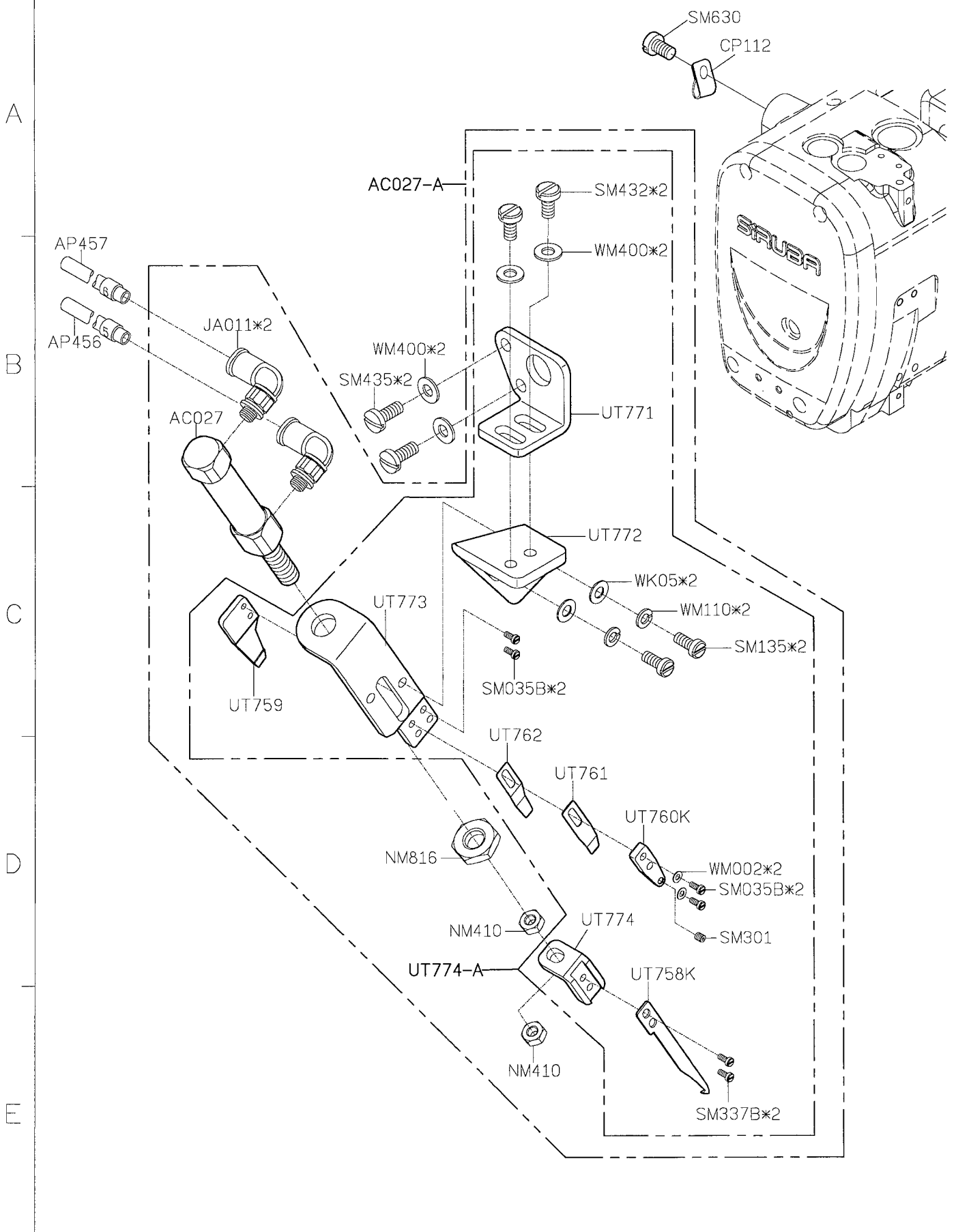
D



E

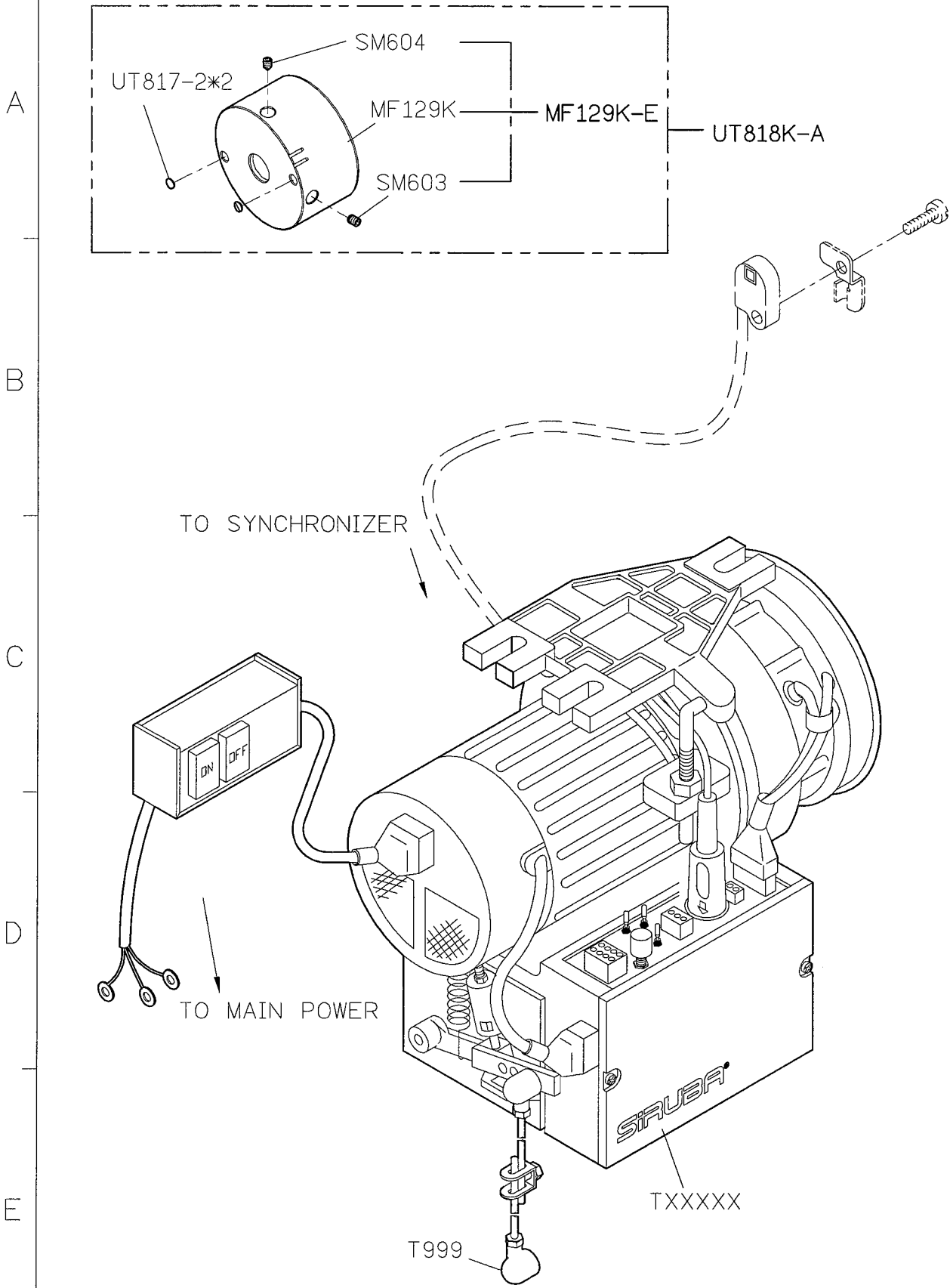
1 2 3 4 5

| SIRUBA PARTS LIST | Serie | Parts Group | Subclass / Remark | Page |
|----------------------|--------------|-------------|-------------------|----------|
| | F007K/F007KD | UTG-K | | 8/10 |
| | F858K | | | Date |
| | | | | 2016/9/6 |

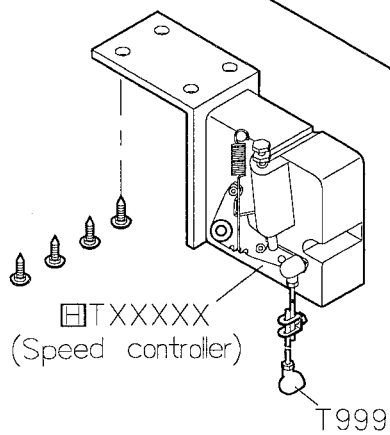
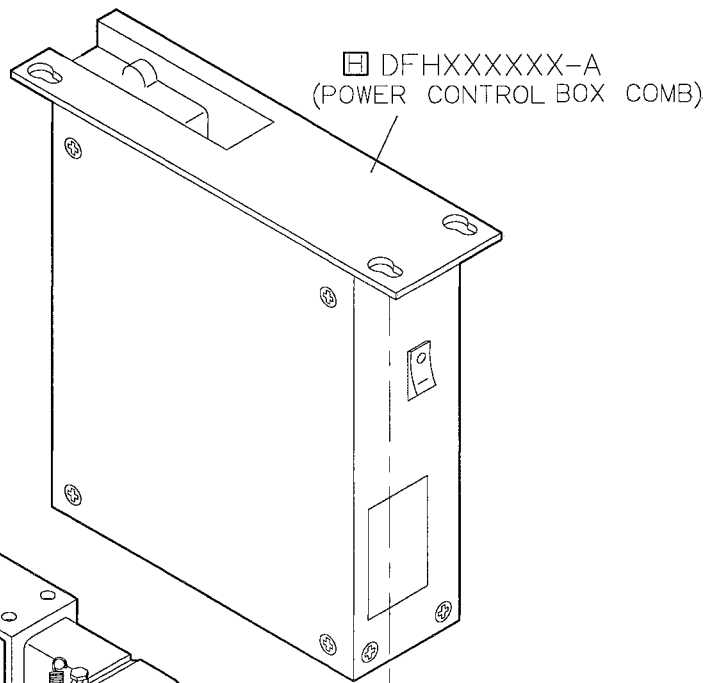
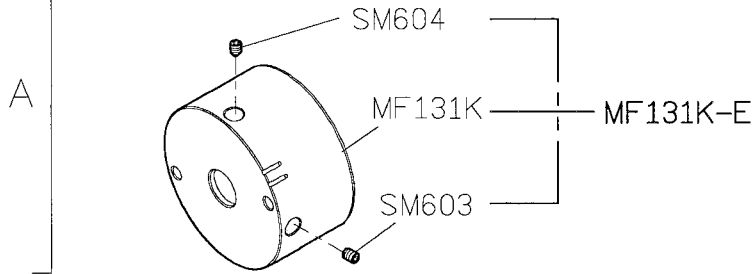


1 2 3 4 5

| SIRUBA PARTS LIST | Serie | Parts Group | Subclass / Remark | Page |
|----------------------|-----------------------|-------------|--|----------|
| | F007K/F007KD F858K | UTG(UTH)-K | For F007K/F858K ☐ : For H brand motor | 9/10 |
| | | | | Date |
| | | | | 2016/9/6 |

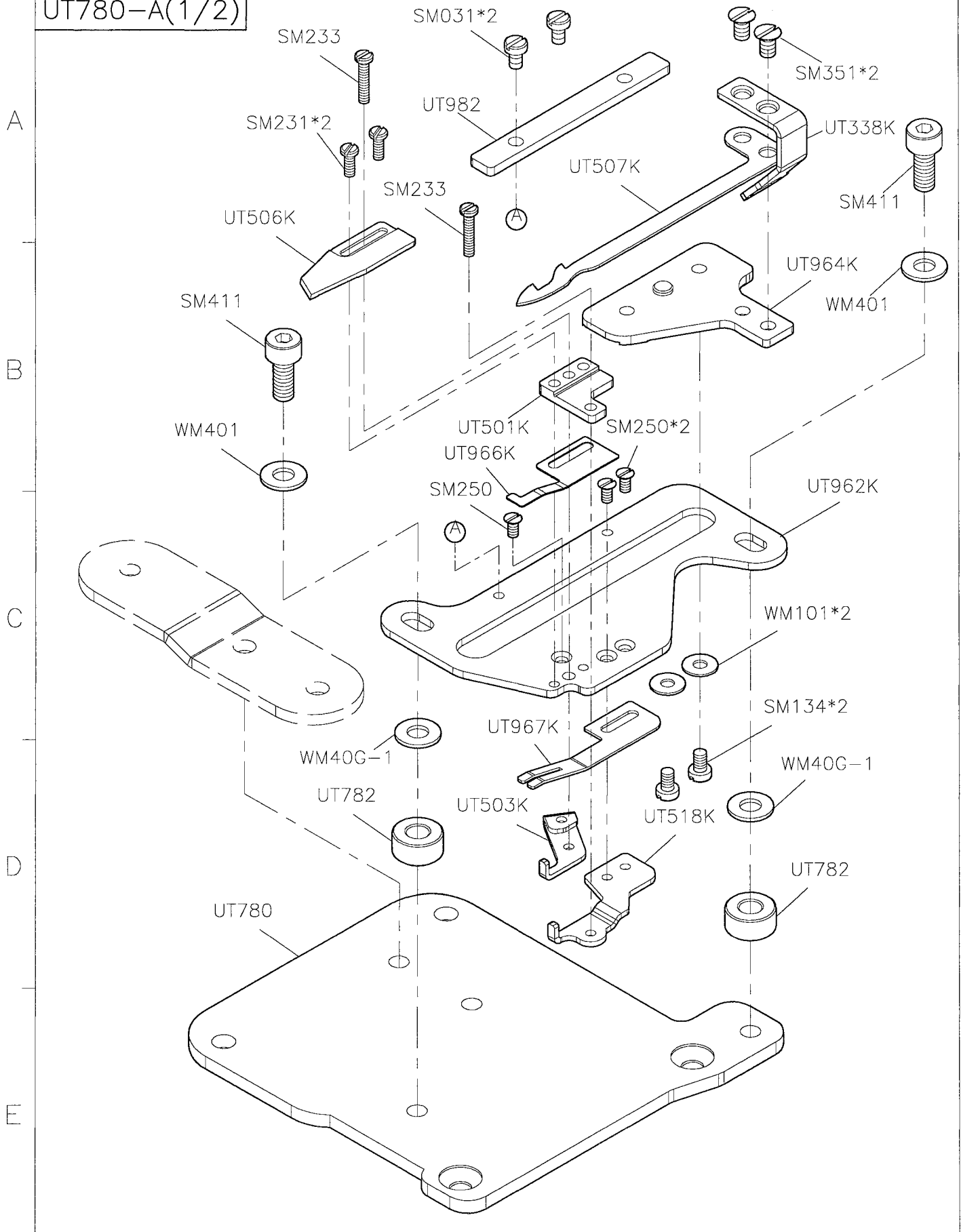


| SIRUBA PARTS LIST | Series | Parts Group | Subclass / Remark | Page |
|----------------------|-----------------------|-------------|---|----------|
| | F007K/F007KD F858K | UTG(UTH)-K | For F007K/F858K ☐: For H brand motor(i - 60) | 10/10 |
| | | | | Date |
| | | | | 2016/9/6 |

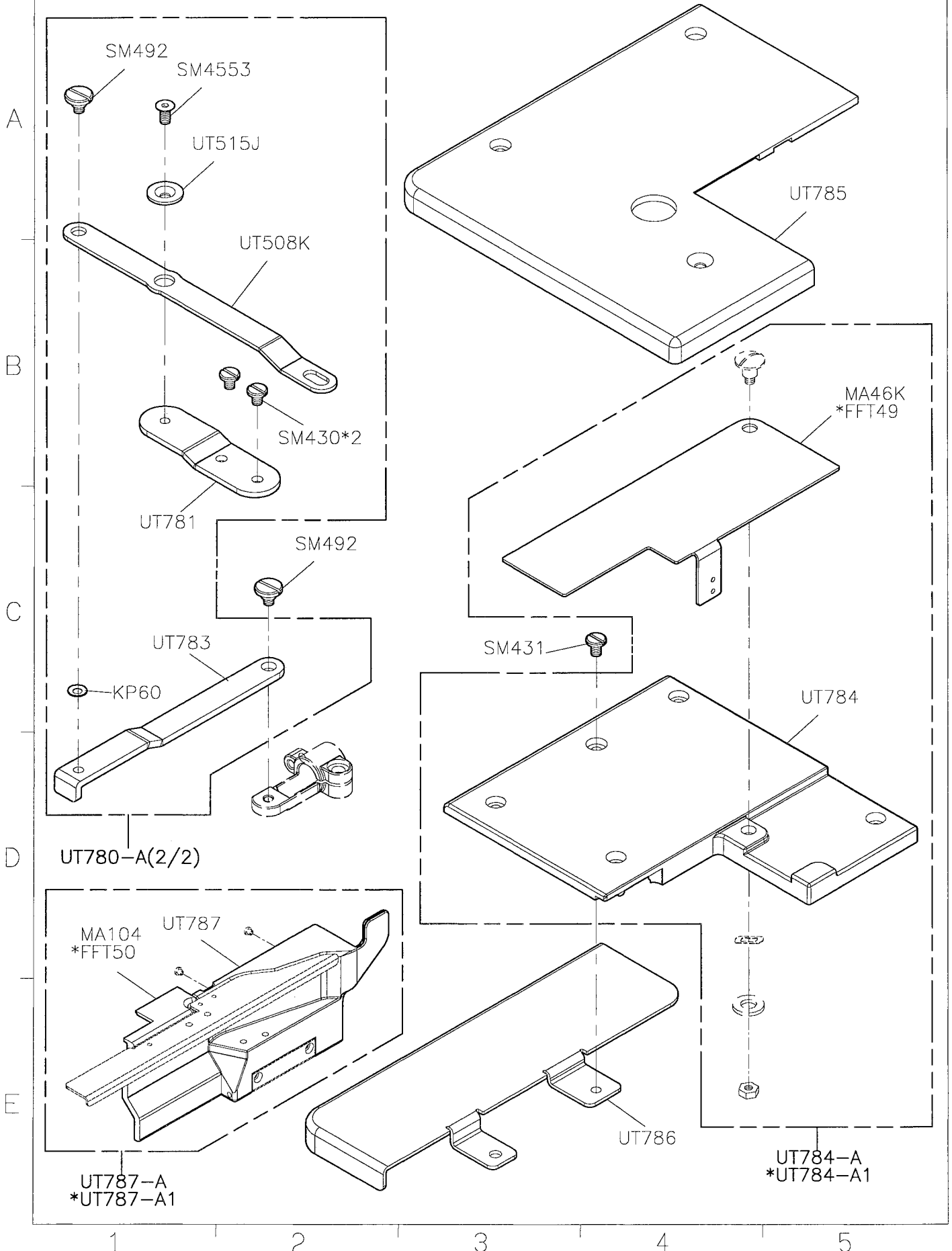


| | | | | |
|-----------------------------|-----------------------|-------------|-------------------|----------|
| SIRUBA PARTS LIST | Series | Parts Group | Subclass / Remark | Page |
| | F007K/F007KD F858K | UTJ(UTK)-K | | 1/10 |
| | | | | Date |
| | | | | 2016/9/6 |

UT780-A(1/2)



| | | | | |
|-----------------------------|-----------------------|-------------|-------------------|----------|
| SIRUBA PARTS LIST | Series | Parts Group | Subclass / Remark | Page |
| | F007K/F007KD F858K | UTJ(UTK)-K | * : Use for FFT | 2/10 |
| | | | | Date |
| | | | | 2016/9/6 |



SIRUBA

PARTS LIST

Series

F007K/F007KD
F858K

Parts Group

UTJ(UTK)-K

Subclass / Remark

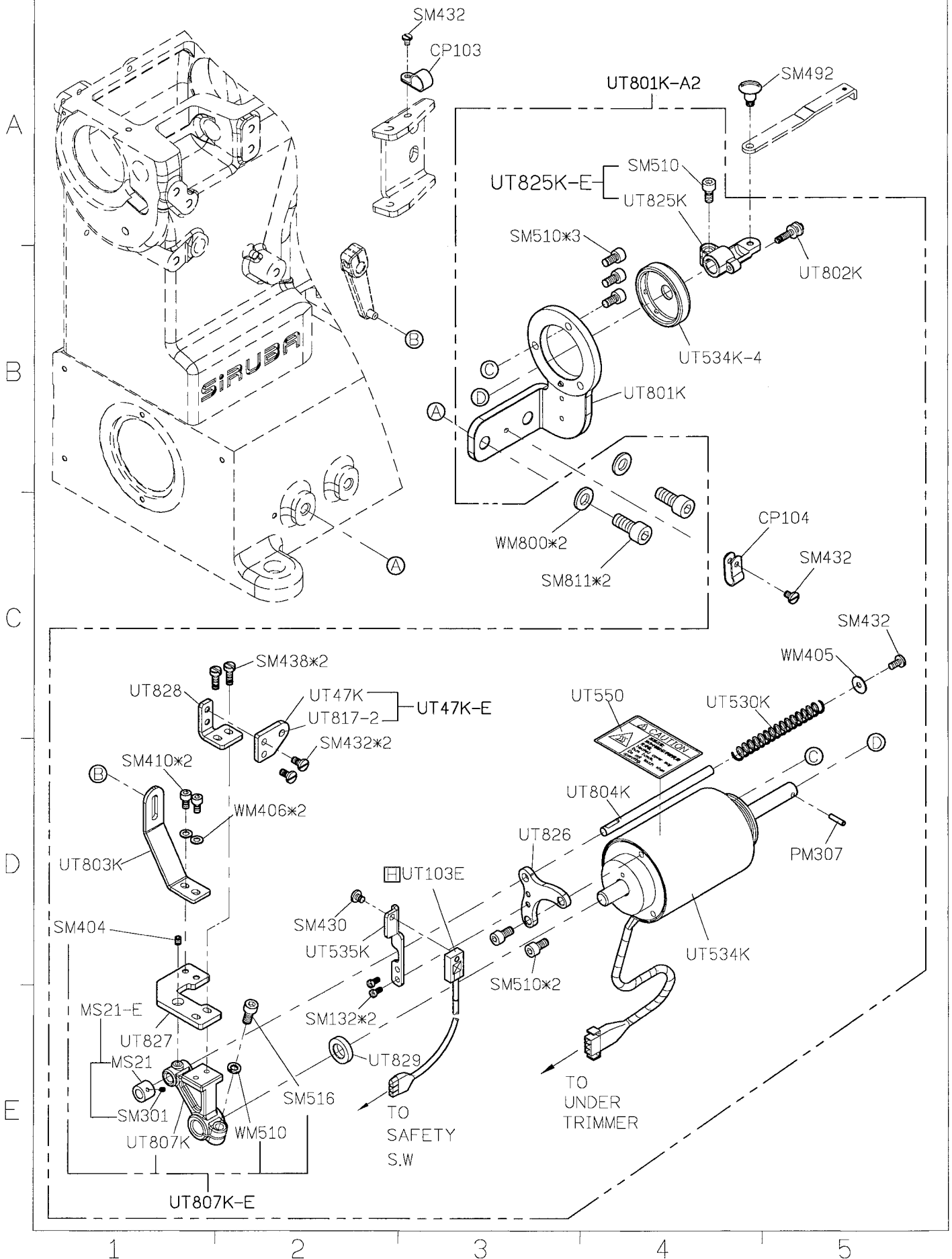
☐ : For H brand motor

Page

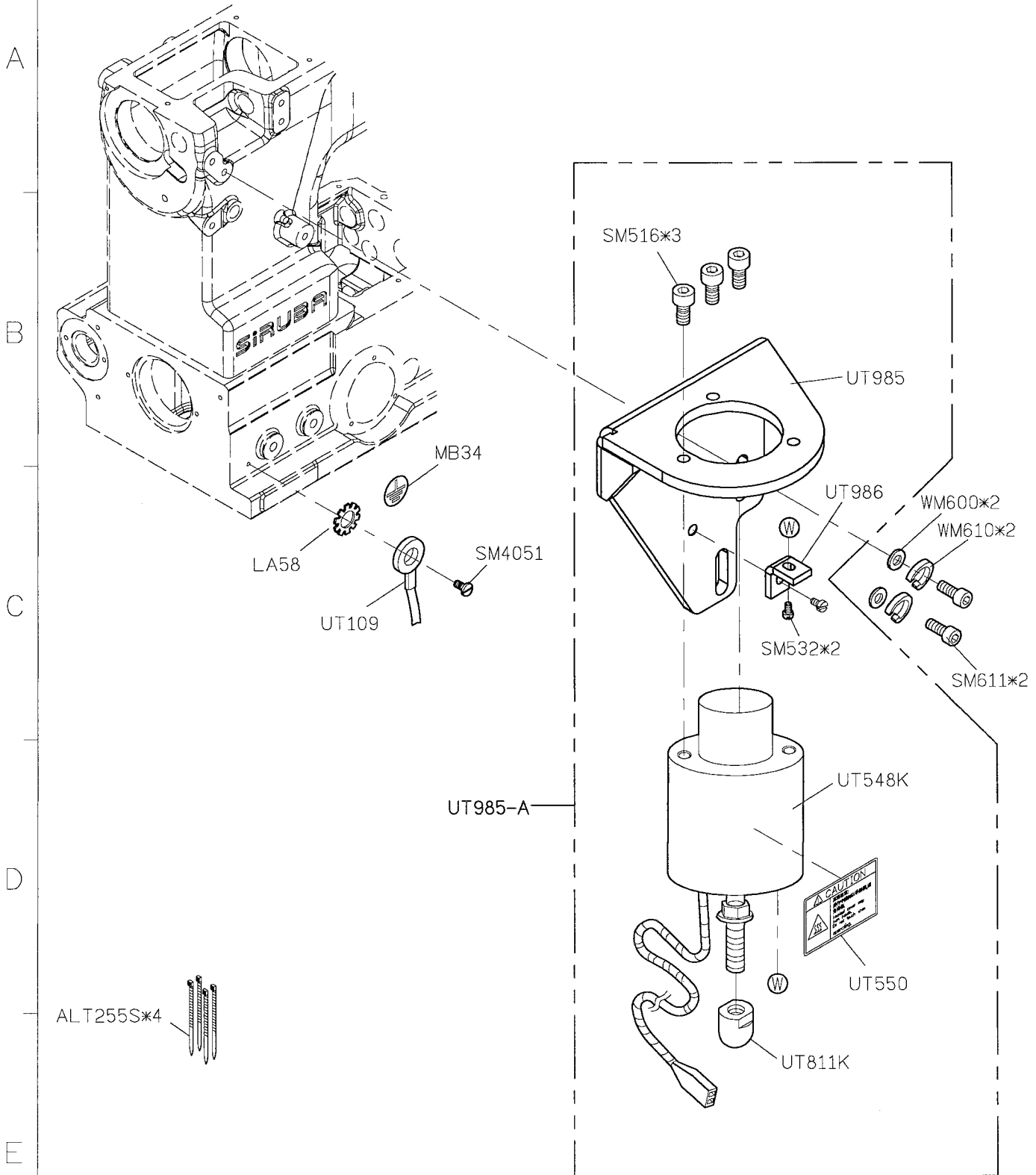
3/10

Date

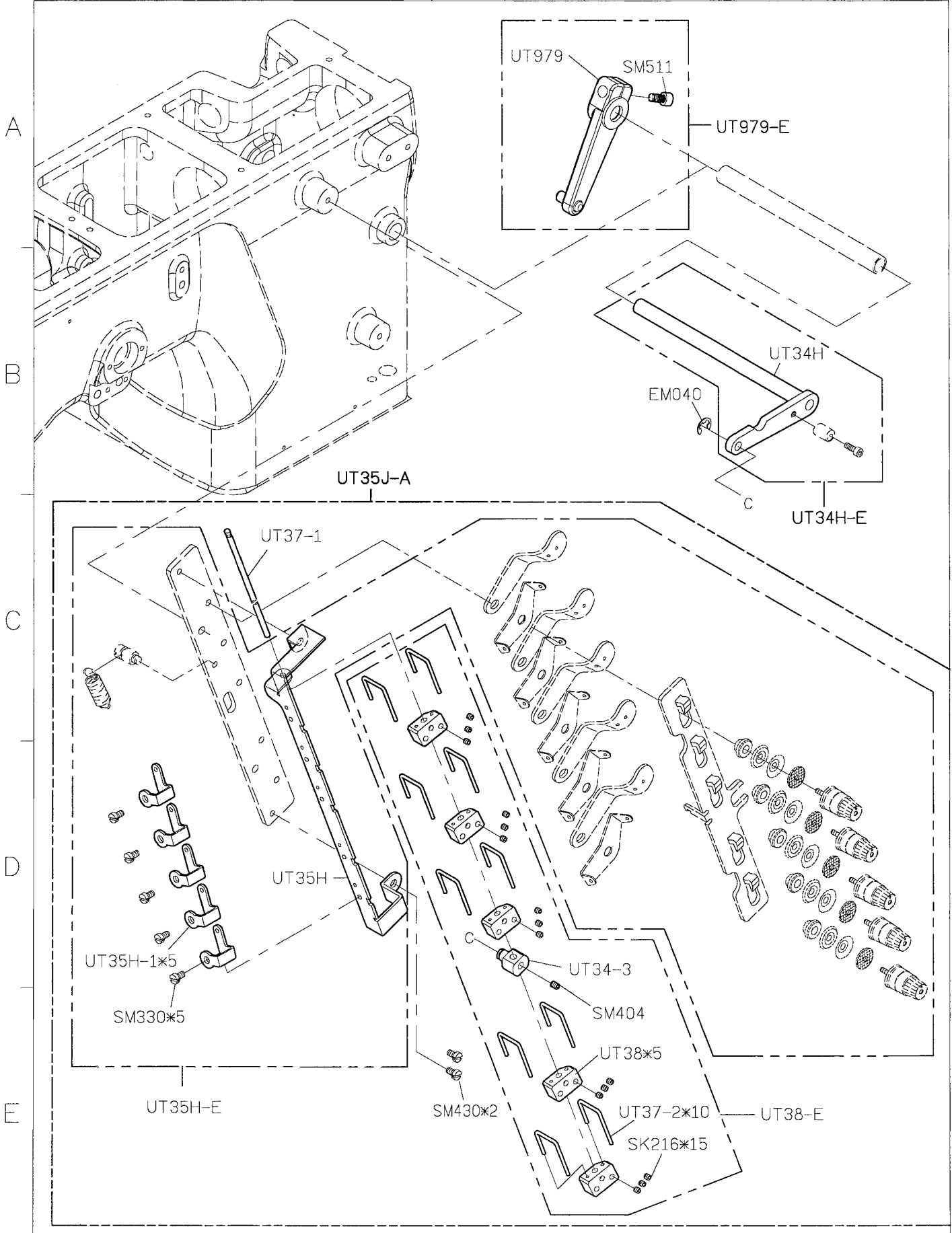
2016/9/6



| SIRUBA PARTS LIST | Series | Parts Group | Subclass / Remark | Page |
|----------------------|-----------------------|-------------|-------------------|------------------|
| | F007K/F007KD F858K | UTJ(UTK)-K | | 4/10 |
| | | | | Date 2016/9/6 |

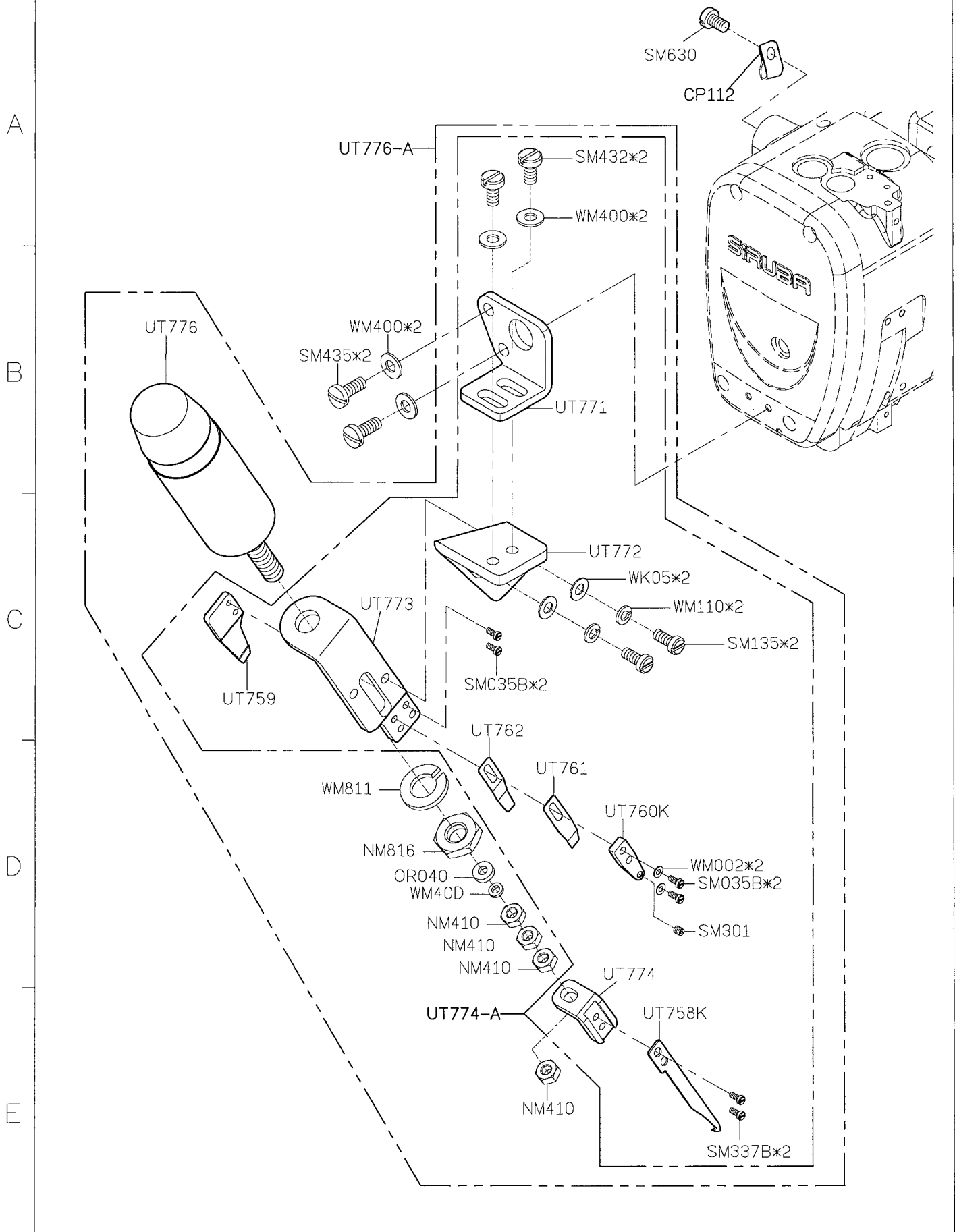


| | | | | |
|-----------------------------|-----------------------|-------------|-------------------|----------|
| SIRUBA PARTS LIST | Series | Parts Group | Subclass / Remark | Page |
| | F007K/F007KD F858K | UTJ(UTK)-K | | 5/10 |
| | | | | Date |
| | | | | 2016/9/6 |



1 2 3 4 5

| SIRUBA PARTS LIST | Series | Parts Group | Subclass / Remark | Page |
|----------------------|--------------|-------------|-------------------|----------|
| | F007K/F007KD | UTJ-K | | 6/10 |
| | F858K | | | Date |
| | | | | 2016/9/6 |



SIRUBA

PARTS LIST

Series

F007K/F007KD
F858K

Parts Group

UTK-K

Subclass / Remark

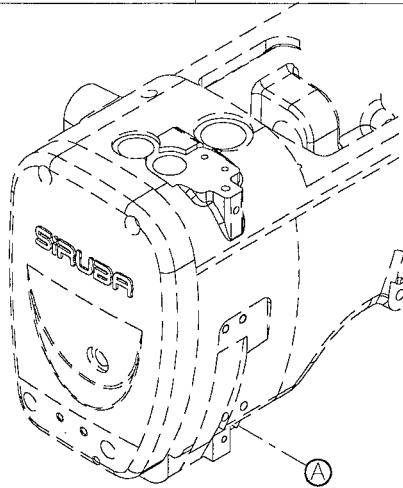
Page

7/10

Date

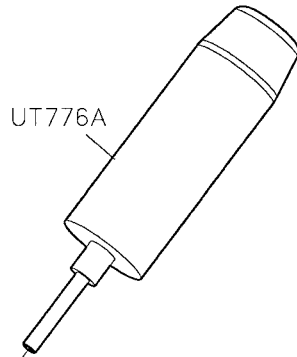
2016/10/19

A



UT776A-A

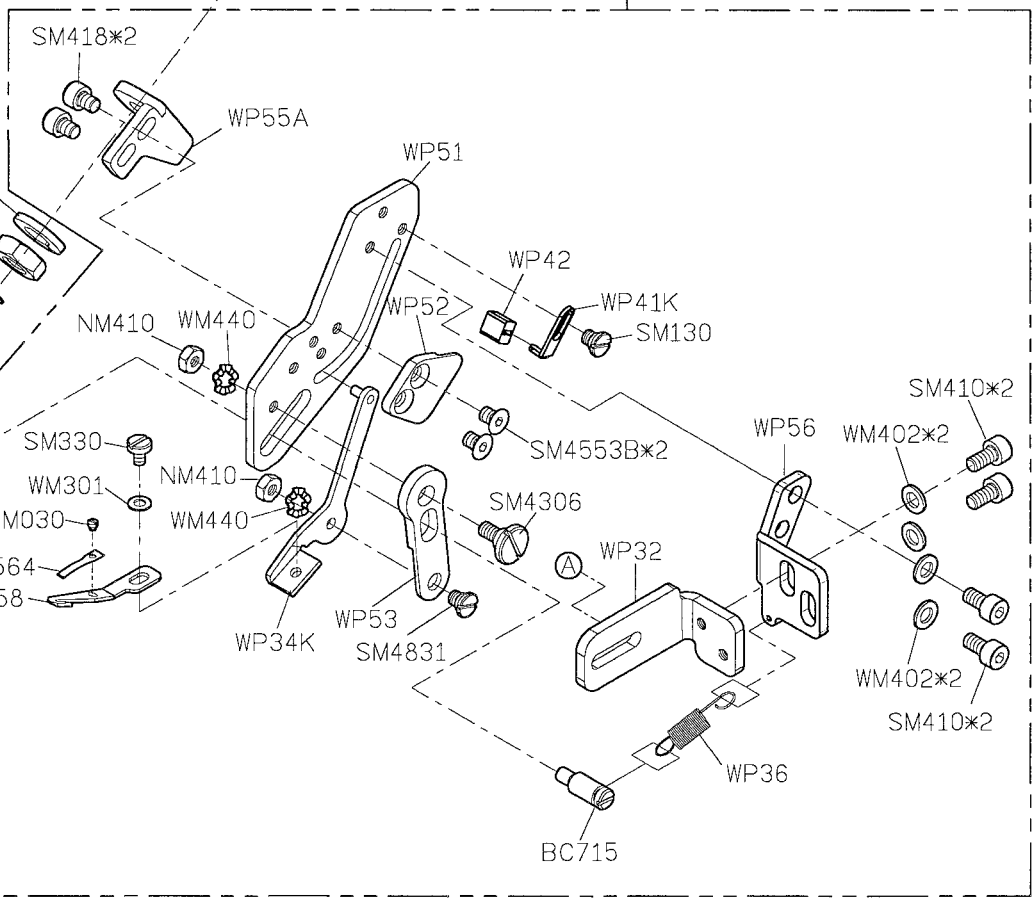
B



UT776A

WP55A-A

C



SM418*2

WP55A

WP51

WMA11
NMA10

WM50B
NM517

NM410

NM410

WM440

WP52

WP42

WP41K

SM130

D

NM410

SM330

WM301

SM030

NM410

WM440

SM4553B*2

SM4306

WP56

WM402*2

SM410*2

WM402*2

SM410*2

E

NM510
NM517

UT564
WP58

WP34K

WP53

SM4831

WP32

WP36

BC715

1

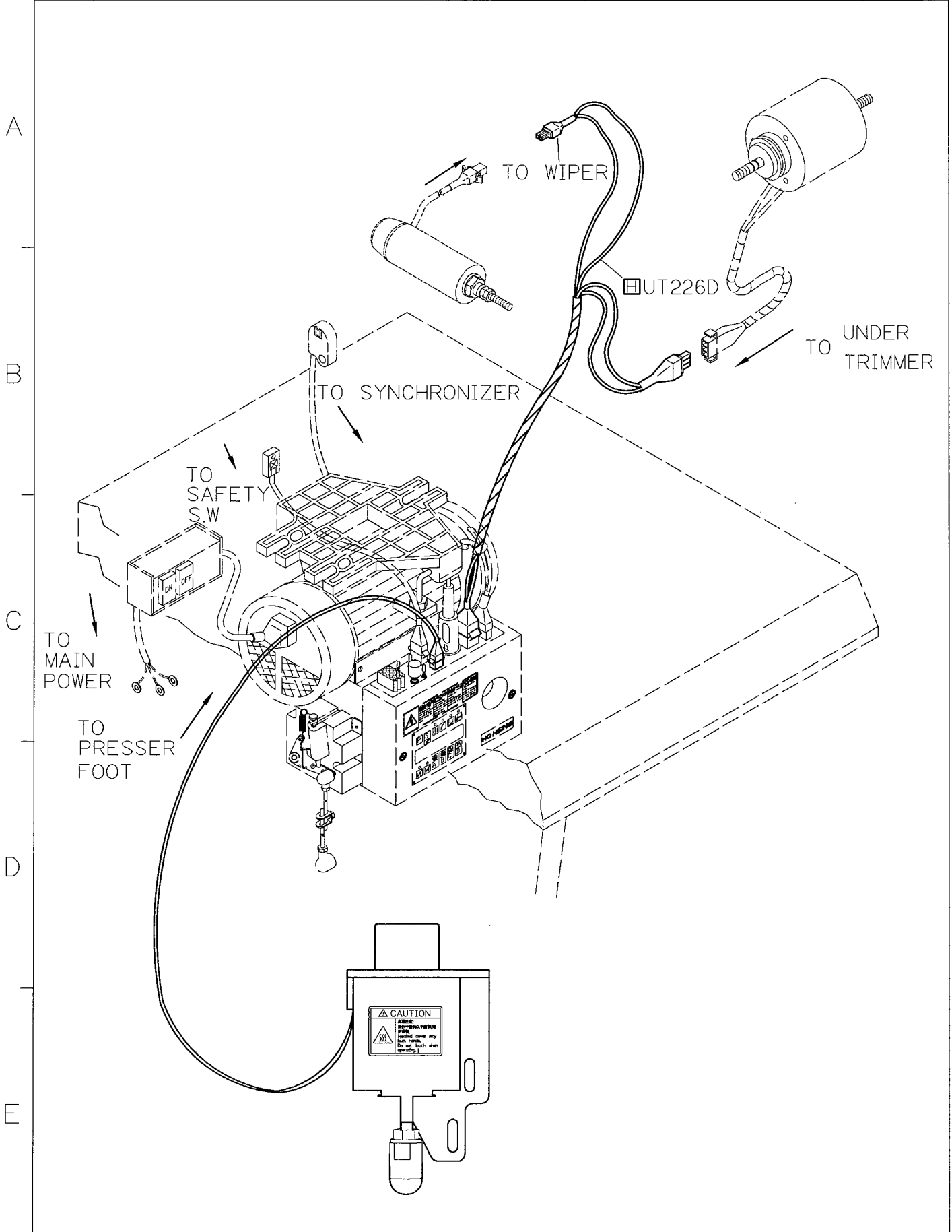
2

3

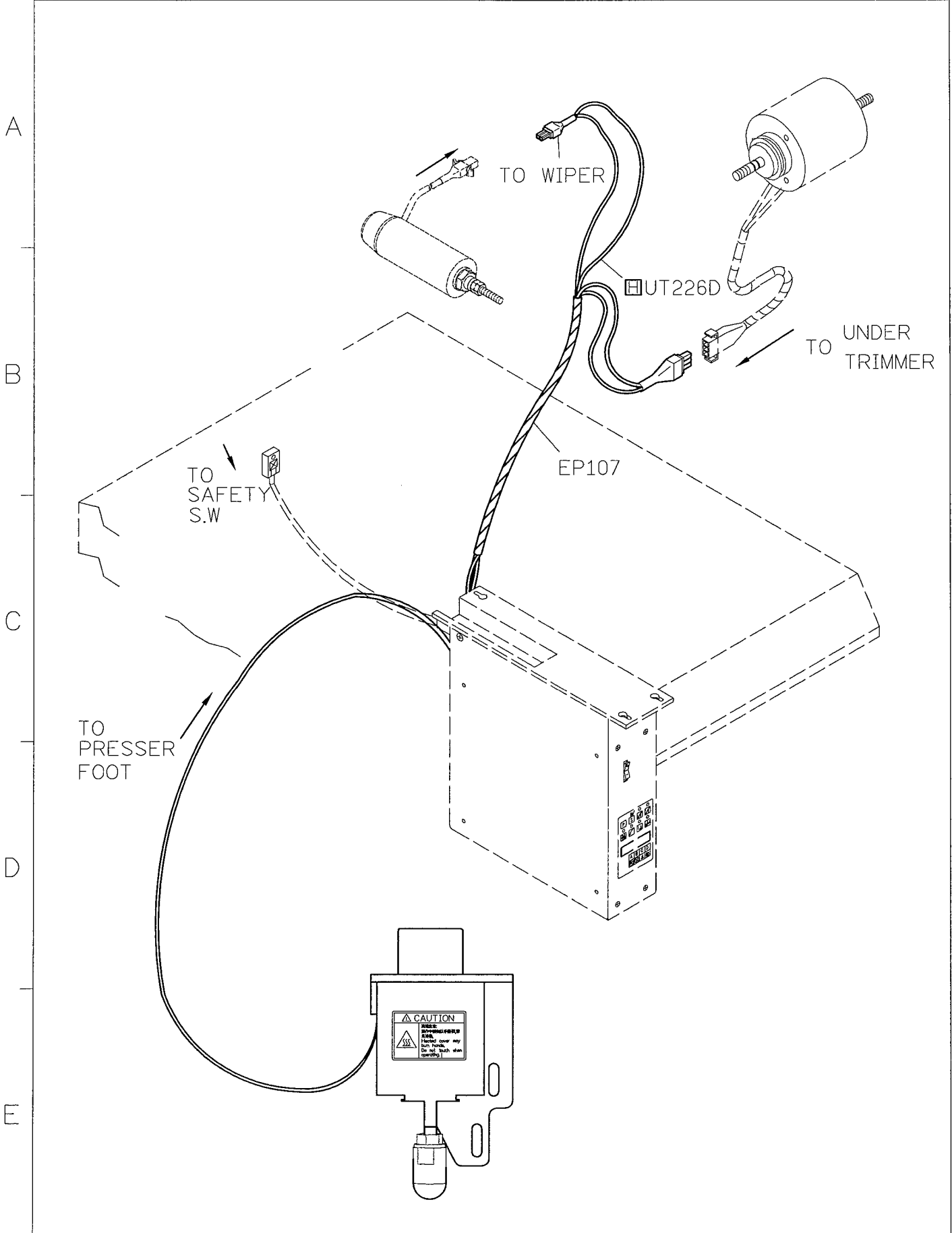
4

5

| SIRUBA PARTS LIST | Series | Parts Group | Subclass / Remark | Page |
|----------------------|-----------------------|-------------|--|------------------|
| | F007K/F007KD F858K | UTJ(UTK)-K | For F007K/F858K ☐ : For H brand motor | 8/10 |
| | | | | Date 2016/9/6 |



| SIRUBA PARTS LIST | Series | Parts Group | Subclass / Remark | Page |
|----------------------|-----------------------|-------------|----------------------|----------|
| | F007K/F007KD F858K | UTJ(UTK)-K | ☐: For H brand motor | 9/10 |
| | | | | Date |
| | | | | 2016/9/6 |



| SIRUBA PARTS LIST | Series | Parts Group | Subclass / Remark | Page |
|----------------------|-----------------------|-------------|----------------------------------|----------|
| | F007K/F007KD F858K | UTJ(UTK)-K | ☐ : For H brand motor (i - 60) | 10/10 |
| | | | | Date |
| | | | | 2016/9/6 |

